

Service
Service
Service



Service Manual



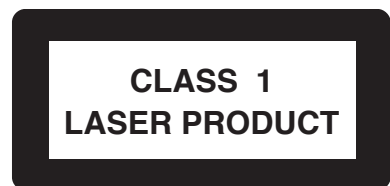
TABLE OF CONTENTS

	Page
Location of PCBs & Specifications	1-2 to 1-3
Measurement Setup & Service Aids	1-4 to 1-5
ESD & Safety Instruction	1-6
Lead-Free Information & Service Instruction	1-7
Preparations & Controls & Troubleshooting ..	1-8 to 1-14
Setting Procedure & Repair Instructions	2
Disassembly Instructions & Service positions	3
Set Block & Wiring Diagram	4
Key/Video/Sensor/Phone/Vol /Vu Board	5
Tuner Board	6
Main Board	7
Power Board	8
Mechanical Exploded View & Parts List	9
Subwoofer Part	10
Location of PCBs & Specifications	10-1
Measurement Setup & Service Position	10-2 to 10-3
Disassembly Instructions & Service Positions	10-4
Set Block & Wiring Diagram	10-5 to 10-6
Main Board	10-7 to 10-11
Power & LED Board	10-12 to 10-15
Exploded View & Parts List	10-16 to 10-17



© Copyright 2005 Philips Consumer Electronics B.V. Eindhoven, The Netherlands
All rights reserved. No part of this publication may be reproduced, stored in a retrieval system or transmitted, in any form or by any means, electronic, mechanical, photocopying, or otherwise without the prior permission of Philips.

Published by SL-ET0519 Service Audio Printed in The Netherlands Subject to modification.



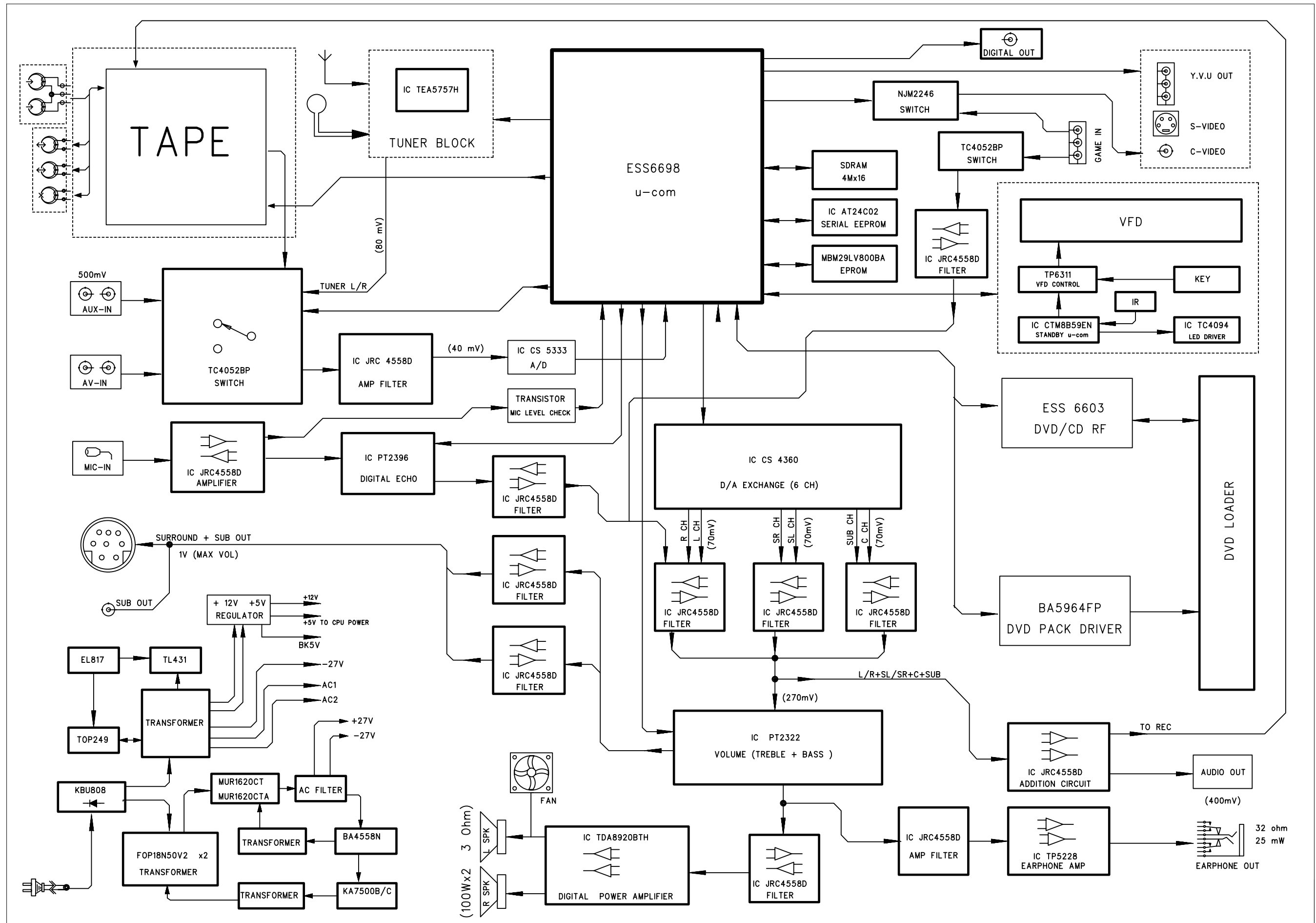
3141 785 30360

Version 1.0

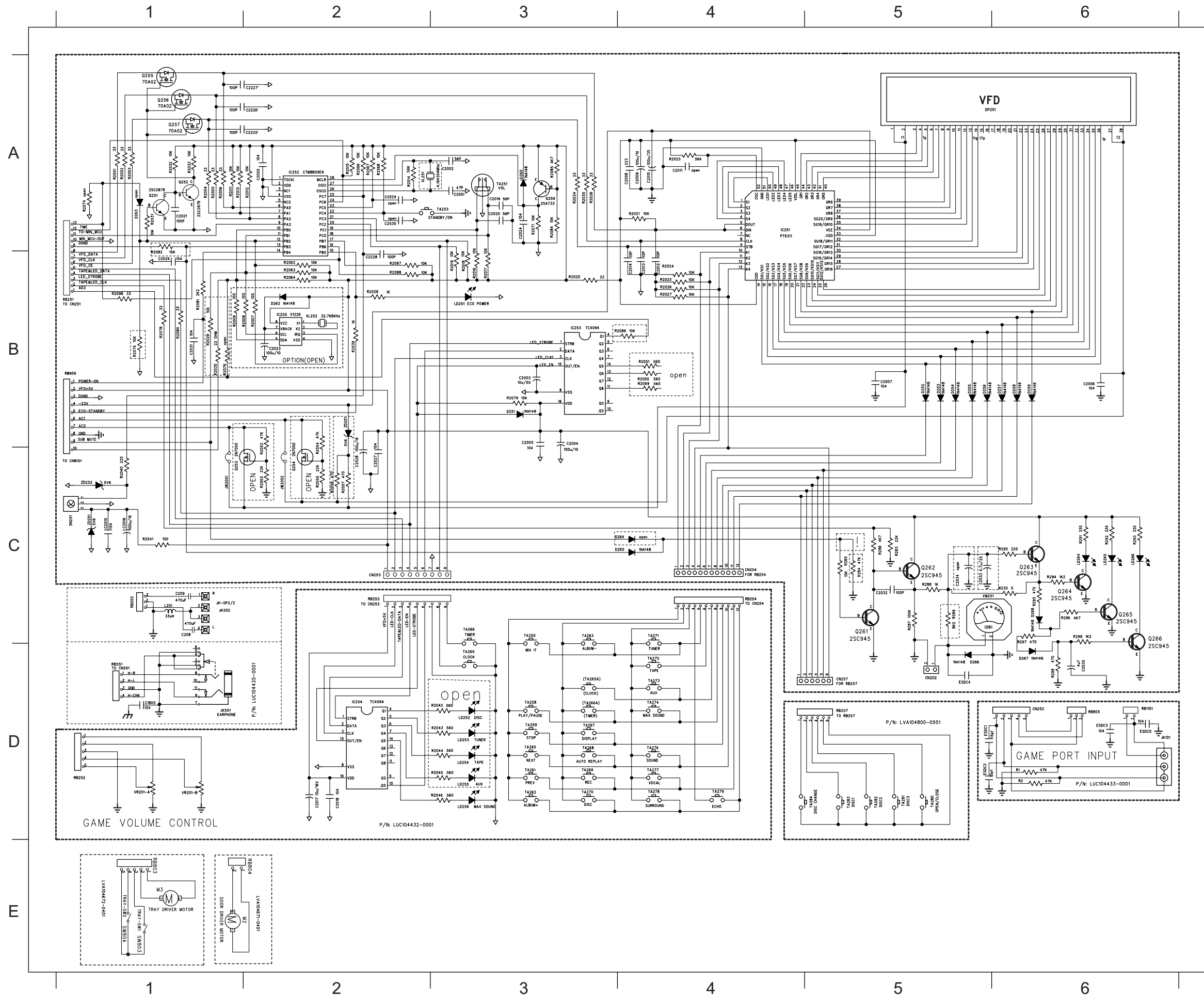


PHILIPS

SET BLOCK DIAGRAM

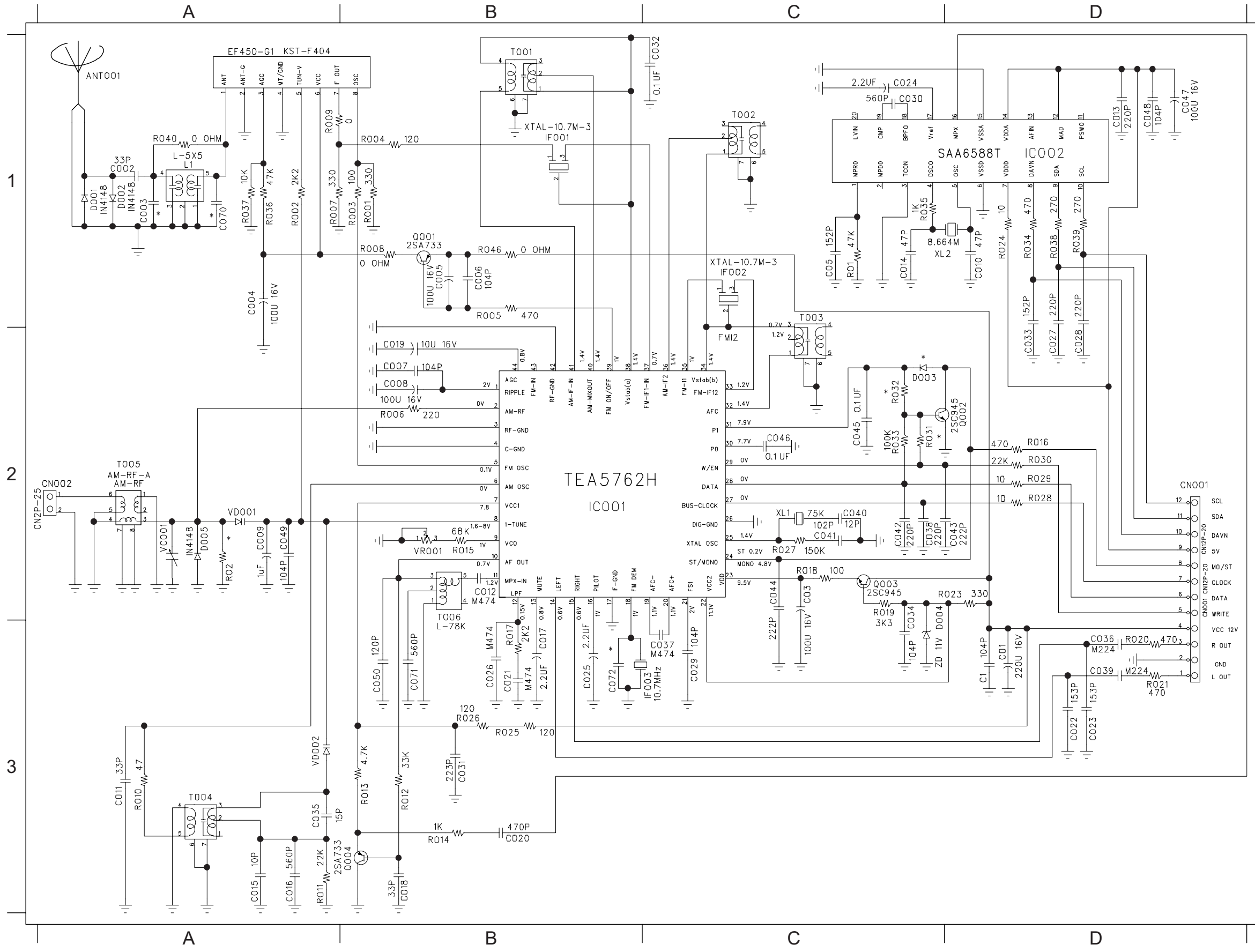


CIRCUIT DIAGRAM - KEY BOARD



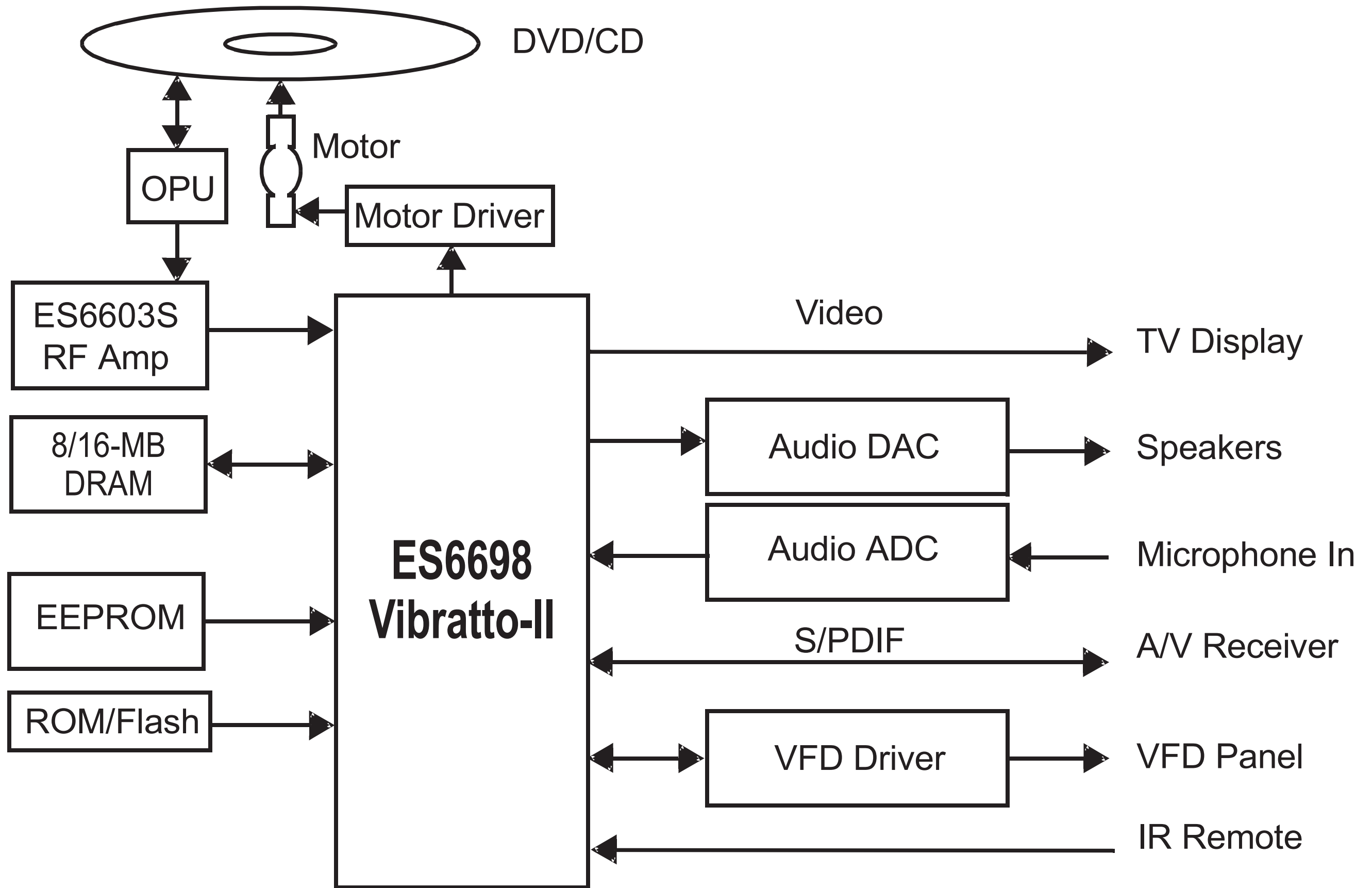
C1805	D1	R284	C5	SW803	E1
C2001	A3	R285	C5	SW804	E1
C2002	A3	R286	C5	TA251	A3
C2003	B3	R287	C5	TA253	A3
C2004	B3	R288	C5	TA255	C3
C2005	B3	R289	C5	TA258	D3
C2006	B6	R291	C6	TA259	D3
C2007	B5	R292	C6	TA260	D3
C2008	A4	R293	C6	TA261	D3
C2009	A4	R294	C6	TA262	D3
C2010	A4	R295	C6	TA263	C3
C2012	B4	R296	C6	TA265	D3
C2013	B4	R297	C6	TA265A	D3
C2014	B4	R298	C6	TA266	C3
C2015	C1	R299	D6	TA266A	D3
C2016	C1	R2001	A1	TA267	D3
C2017	D2	R2002	A1	TA268	D3
C2018	D2	R2003	A1	TA269	D3
C2019	A3	R2004	A1	TA270	D3
C2020	A3	R2005	A1	TA271	C4
C2021	A1	R2006	A1	TA272	D4
C2024	A3	R2010	A2	TA273	D4
C2025	A2	R2011	A1	TA274	D4
C2026	B1	R2012	A2	TA276	D4
C2027	C2	R2013	A1	TA277	D4
C2028	C2	R2014	A2	TA278	D4
C2031	B1	R2016	B3	TA279	D4
C2032	C5	R2017	B3	TA280	D5
C2033	C5	R2018	B3	TA281	D5
C2035	D6	R2019	B3	TA282	D5
C2225	A2	R2020	B3	TA283	D5
C2226	A2	R2021	A4	TA284	D5
C2227	A2	R2023	A4	VM251	C5
C2228	B2	R2024	B4	VR201-A	D1
CN202	D5	R2025	B4	VR201-B	D1
CN252	D6	R2026	B4	XL251	A2
CN253	C2	R2027	B4	ZD201	B2
CN254	C4	R2028	B1	ZD251	C1
CN257	D5	R2029	B2	ZD252	C1
D251	B3	R2030	B1		
D252	B5	R2031	A1		
D253	B5	R2032	A1		
D254	B5	R2033	A1		
D255	B5	R2034	A3		
D256	B5	R2035	A3		
D257	B6	R2036	A3		
D258	B6	R2039	B2		
D259	B6	R2040	C1		
D260	A3	R2041	C1		
D265	C4	R2046	D3		
D266	D5	R2056	C2		
D267	D6	R2057	C2		
D268	C6	R2062	B2		
DP201	A6	R2063	B2		
ESDC2	D5	R2064	B2		
ESDC5	D6	R2066	A2		
IC251	A4	R2067	A2		
IC252	A2	R2068	A2		
IC253	B3	R2071	A3		
IC254	D2	R2075	B1		
JK101	D6	R2078	B1		
JK551	D1	R2079	B3		
JW2001	C1	R2080	B1		
JW2002	C2	R2081	B1		
LD251	B3	R2082	B1		
LD256	D3	R2084	A3		
LD264	C6	R2085	A3		
LD265	C6	R2086	B4		
LD266	C6	R2087	B2		
M2	E2	R2088	B2		
M3	E1	R2098	B1		
Q251	A1	RB1101	D6		
Q252	A1	RB202	C1		
Q255	A1	RB251	B1		
Q256	A1	RB252	D1		
Q257	A1	RB253	C2		
Q259	A3	RB254	C4		
Q261	C5	RB257	D5		
Q262	C5	RB551	D1		
Q263	C6	RB803	E1		
Q264	C6	RB804	E2		
Q265	C6	RB805	D6		
Q266	C6	RB909	B1		
R230	C6	SN251	C1		

TUNER ADJUSTMENT TABLE

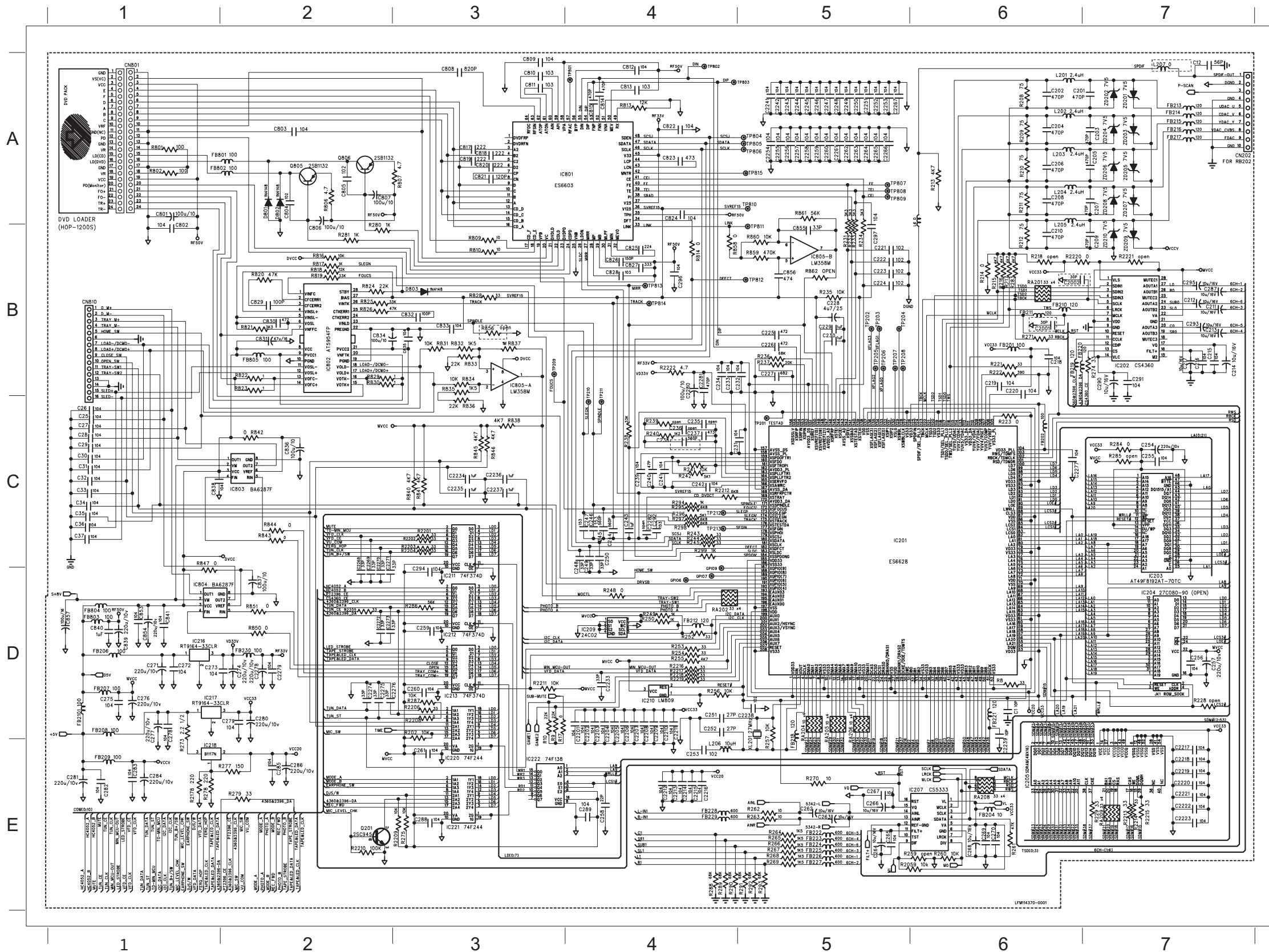


ANT001	A1	R01	C1
C1	D3	R001	B1
C01	D3	R002	A1
C03	C2	R003	B1
C05	C1	R004	B1
C002	A1	R005	B1
C004	A1	R006	B2
C005	B1	R007	A1
C006	B1	R008	B1
C007	B2	R009	A1
C008	B2	R010	A3
C009	A2	R011	A3
C010	D1	R012	B3
C011	A3	R013	B3
C012	B2	R014	B3
C013	D1	R015	B2
C014	C1	R016	D2
C015	A3	R017	B3
C016	A3	R018	C2
C017	B3	R019	C2
C018	B3	R020	D3
C019	B2	R021	D3
C020	B3	R023	D2
C021	B3	R024	D1
C022	D3	R025	B3
C023	D3	R026	B3
C024	C1	R027	C2
C025	B3	R028	D2
C026	B3	R029	D2
C027	D2	R030	D2
C028	D2	R033	C2
C029	C3	R034	D1
C030	C1	R035	C1
C031	B3	R036	A1
C032	B3	R037	A1
C033	D2	R038	D1
C034	C2	R039	D1
C035	A3	R040	A1
C036	D3	R046	B1
C037	C3	T001	B1
C038	C2	T002	C1
C039	D3	T003	C1
C040	C2	T004	A3
C041	C2	T005	A2
C042	C2	T006	B2
C043	D2	VC001	A2
C044	C2	VD001	A2
C045	C2	VD002	A3
C046	C2	VR01	B2
C047	D1	XL1	C2
C048	D1	XL2	C1
C049	A2		
C050	B3		
C071	B3		
CN001	D2		
CN002	A2		
D001	A1		
D002	A1		
D004	C2		
D005	A2		
EF450-G1	A1		
IC001	B2		
IC002	D1		
IF001	B1		
IF002	C1		
IF003	C3		
Q001	B1		
Q002	D2		
Q003	C2		
Q004	B3		

BLOCK DIAGRAM - MAIN BOARD

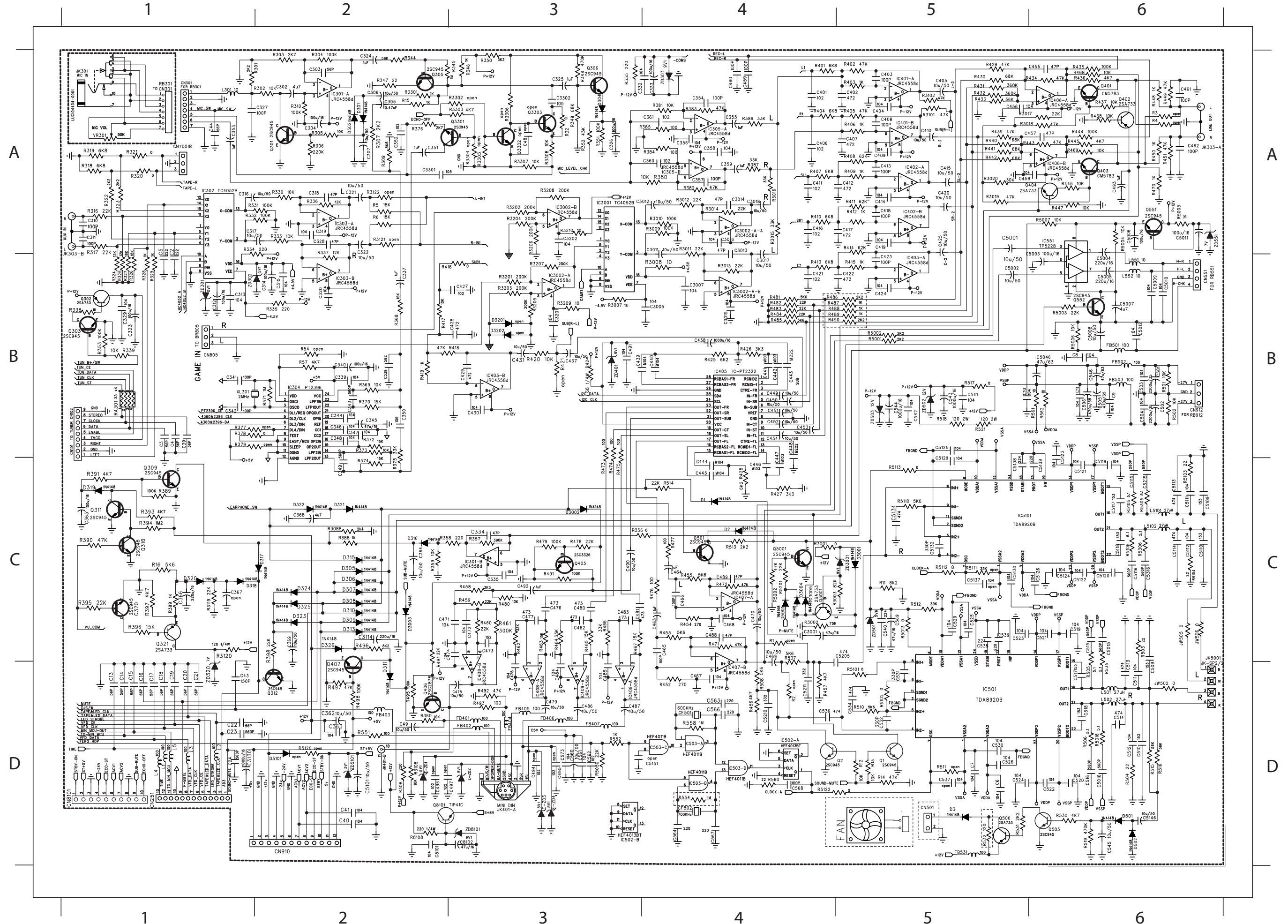


CIRCUIT DIAGRAM - MAIN BOARD SERVO PART

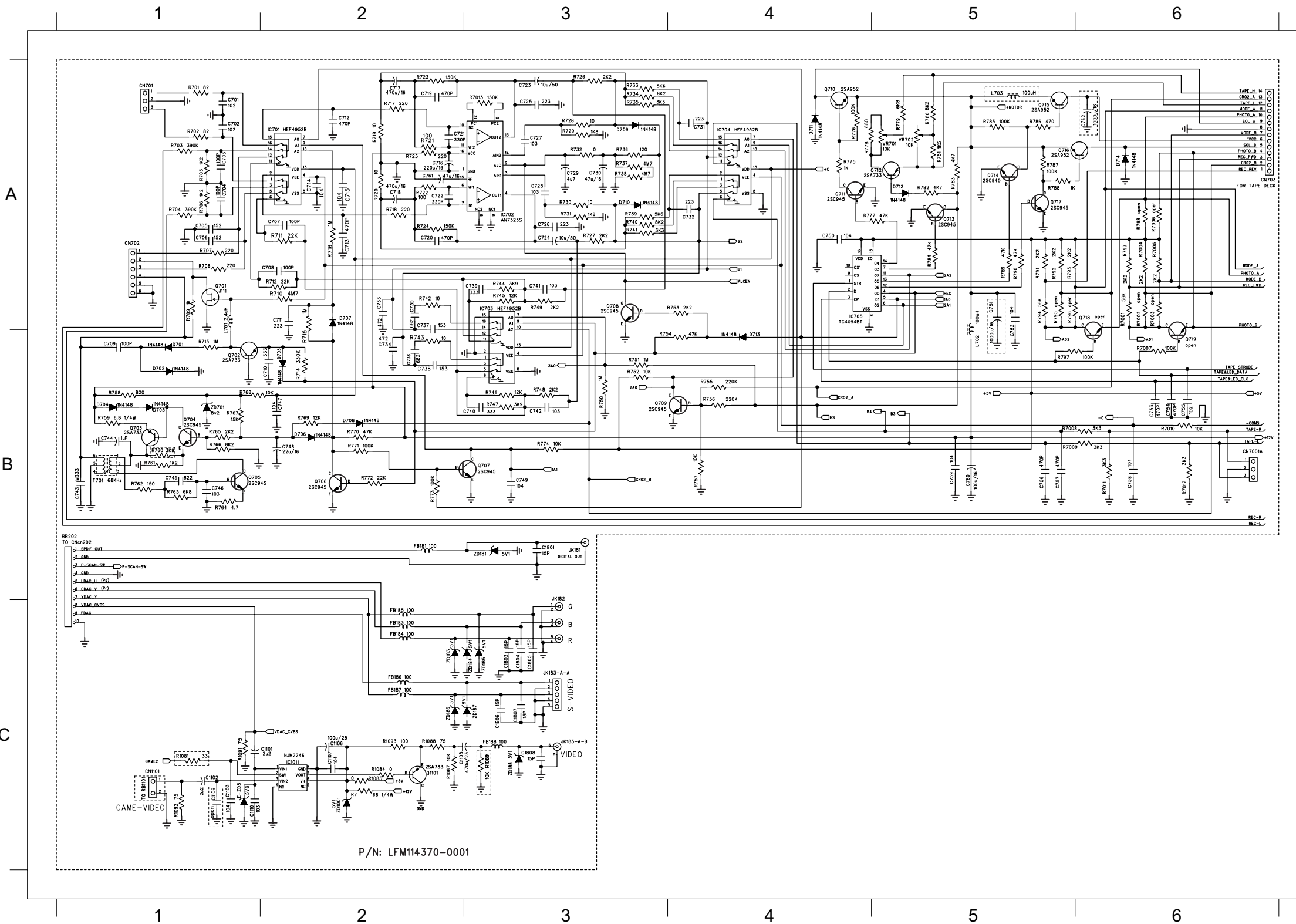


C1	D6	C294	D3	C2273	D2	R235	B5	R2205	D2
C12	A7	C295	B7	C2266	A5	R236	B5	R2206	D3
C26	C1	C296	B4	C2274	D2	R237	B5	R2208	D3
C27	C1	C297	B4	C2275	D2	R238	C4	R2209	E3
C28	C1	C801	A1	C2276	D2	R240	C4	R2210	E2
C29	C1	C802	A1	C2277	C6	R241	C4	R2211	D3
C30	C1	C803	A2	C2278	D2	R242	C4	R2212	C4
C31	C1	C804	A2	C2279	D2	R243	C4	R2213	E7
C32	C1	C805	A2	C2280	B4	R244	C4	R2214	E7
C33	C1	C806	B2	C2281	B4	R245	C4	R2215	E7
C34	C1	C807	A2	N202	A7	R248	D4	R2218	D4
C35	C1	C808	A3	CN801	A1	R249	D4	R2219	D4
C36	C1	C809	A3	CN810	B1	R250	D4	R2220	D4
C37	C1	C810	A3	D801	A2	R252	D4	R2221	B6
C201	A6	C811	A3	D802	A2	R253	D4	R2222	B4
C202	A6	C812	A4	D803	B3	R254	D4	RA201	B6
C203	A7	C813	A4	FB201	B6	R255	D4	RA202	D4
C204	A6	C814	A4	FB202	C6	R256	D4	RA203	D5
C205	A7	C815	A4	FB204	E6	R257	D5	RA204	D5
C206	A6	C817	A3	FB206	D1	R260	E6	RA205	D5
C207	A7	C818	A3	FB207	D1	R261	E6	RA206	D5
C208	A6	C819	A3	FB208	D1	R262	E5	RA208	E6
C209	B7	C820	A3	FB209	E1	R263	E5	RA209	E7
C210	B6	C821	A3	FB210	B6	R264	E5	XL201	D5
C211	B7	C822	A4	FB211	B6	R265	E5	ZD201	A7
C212	B7	C823	A4	FB212	D4	R266	E5	ZD202	A7
C213	B7	C824	A4	FB213	A7	R267	E5	ZD204	A7
C214	B7	C825	B4	FB214	A7	R268	E5	ZD205	A7
C215	B7	C826	B4	FB215	A7	R269	E5	ZD206	A7
C216	B7	C827	B4	FB216	A7	R270	E5	ZD207	A7
C217	B7	C828	B4	FB217	A7	R271	B6	ZD207	A7
C218	B6	C829	B2	FB218	D5	R273	E1	ZD208	A7
C219	B6	C830	B2	FB219	B6	R274	B7	ZD209	B7
C220	B6	C831	B2	FB220	B6	R275	E3	ZD210	B7
C221	B5	C832	B3	FB221	D6	R277	E2		
C222	B5	C833	B3	FB222	E5	R279	E2		
C223	B5	C834	B2	FB223	E5	R278	E1		
C224	B5	C835	B3	FB224	E5	R280	B2		
C225	B5	C836	C2	FB225	E5	R281	B2		
C226	B5	C837	D2	FB226	E5	R282	B6		
C227	B5	C838	C1	FB227	E5	R284	C7		
C228	B5	C839	D1	FB228	E4	R286	D3		
C229	B5	C840	D1	FB229	E4	R287	D3		
C230	B5	C841	D1	FB230	D2	R288	E4		
C231	C4	C853	D1	FB801	A1	R289	E4		
C232	B4	C854	D1	FB802	A1	R290	E4		
C233	B4	C855	D1	FB803	D1	R291	E5		
C234	B4	C856	B5	FB804	D1	R292	E5		
C237	C4	C2001	B6	FB805	B2	R293	E5		
C238	C4	C2002	B6	FB2101	D1	R294	C4		
C239	C4	C2003	B6	IC201	C5	R295	C4		
C240	C4	C2201	D4	IC202	B7	R296	C4		
C241	C4	C2202	D4	IC203	B7	R297	C4		
C242	C4	C2203	D4	IC205	E6	R298	C4		
C243	C4	C2204	D4	IC207	E6	R299	C4		
C244	C4	C2205	D4	IC209	D4	R801	A1		
C245	C4	C2206	D4	IC210	D4	R802	A1		
C246	C4	C2207	D4	IC211	D3	R806	A2		
C247	C4	C2208	D4	IC212	D3	R807	A3		
C248	C4	C2209	D4	IC213	D3	R809	B3		
C249	C4	C2210	D4	IC216	D1	R810	B3		
C250	C4	C2211	D4	IC217	D1	R813	A4		
C251	D4	C2212	E4	IC218	E1	R814	B4		
C252	D4	C2213	E4	IC220	E3	R816	B2		
C253	E4	C2214	E4	IC221	E3	R817	B2		
C254	C7	C2215	E4	IC222	E3	R818	B2		
C255	C7	C2216	E4	IC801	A4	R819	B2		
C256	D7	C2217	E7	IC802	B2	R820	B2		
C257	D7	C2218	E7	IC803	C2	R821	B2		
C258	E4	C2219	E7	IC804	D1	R822	B2		
C259	D3	C2220	E7	IC805-A	B3	R823	B2		
C260	D3	C2221	E7	IC805-B	B5	R824	B2		
C261	E3	C2222	E7	JK1	D7	R825	B2		
C262	E5	C2223	E7	L6	B6	R826	B2		
C263	E5	C2233	D4	L201	A6	R828	B3		
C264	E5	C2234	C3	L202	A6	R829	B2		
C265	E5	C2235	C3	L203	A6	R830	B2		
C266	E5	C2236	C3	L204	A6	R831	B3		
C267	E5	C2237	C3	L205	A6	R832	B3		
C268	E6	C2238	D5	L206	E4	R833	B3		
C269	E6	C2239	E6	L207	A7	R834	B3		
C270	E6	C2242	A5	Q201	E2	R835	B3		
C271	D1	C2243	A5	Q805	A2	R836	C3		
C272	D1	C2248	A5	Q806	A2	R837	B3		
C273	D1	C2249	A5	R8	D6	R838	C3		
C274	D2	C2250	A5	R9	D3	R840	C3		
C275	D1	C2251	A5	R10	D3	R841	C3		
C276	D1	C2252	A5	R17	D3	R842	C2		
C277	D1	C2253	A5	R202	D3	R843	C2		
C278	D1	C2254	A5	R208	A6	R844	C2		
C279	D2	C2255	A5	R209	A6	R845	C3		
C280	D2	C2256	A5	R210	A6	R846	C3		
C281	E1	C2258	A5	R211	A6	R847	C1		
C282	E1	C2259	A5	R212	B6	R850	D2		
C283	E1	C2260	A5	R213	A6	R851	D2		
C284	E1	C2261	A5	R214	B6	R858	B4		
C285	E2	C2262	A5	R215	B6	R859	B5		
C286	E2	C2263	A5	R216	B6	R860	B5		
C287	B7	C2264	A5	R217	B6	R861	A5		
C288	E3	C2267	A5	R221	B6	R2178	E1		
C289	E4	C2268	C2	R222	B6	R2201	C3		
C290	B7	C2269	C2	R223	C6	R2202	C3		
C291	B7	C2270	C2	R229	E7	R2203	C3		
C292	C4	C2271	C2	R231	B5	R2204	C3		
C293	B7	C2272	D2	R232	B5	R233	B5		
						R234	B5		

CIRCUIT DIAGRAM - MAIN BOARD



CIRCUIT DIAGRAM - TAPE PART

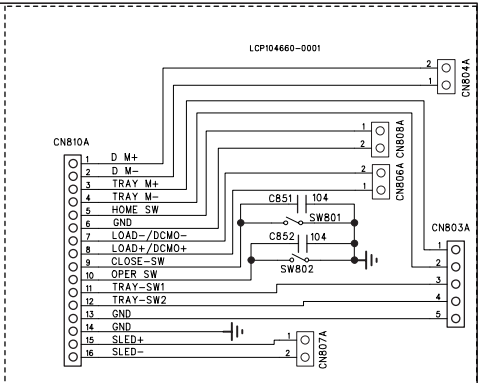
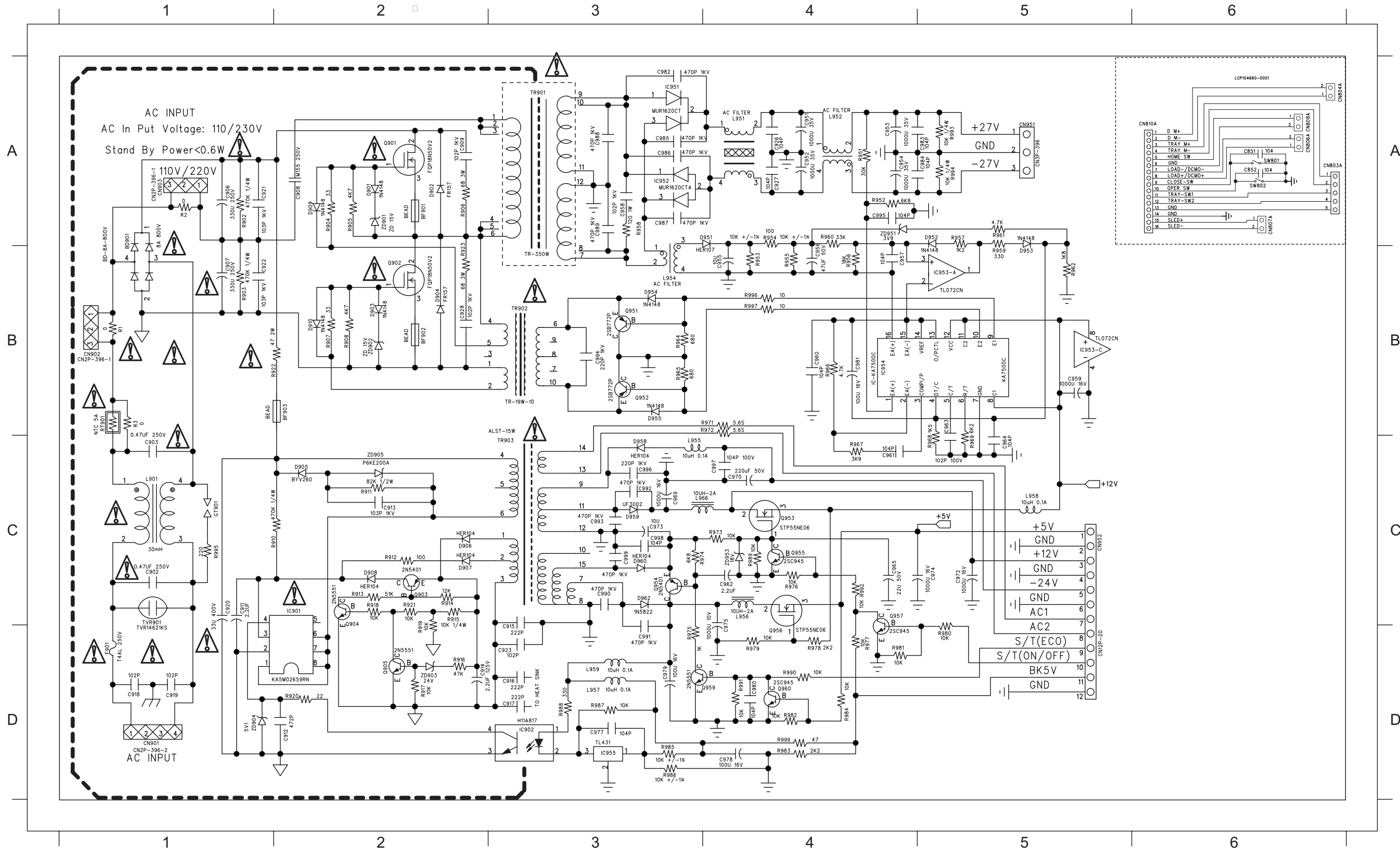


C701	A1	D701	B1	R726	A3	R7001	A6
C702	A1	D702	B1	R727	A3	R7004	A6
C703	A1	D703	B2	R728	A3	R7005	A6
C704	A1	D704	B1	R729	A3	R7007	B6
C705	A1	D705	B1	R730	A3	R7008	B5
C706	A1	D706	B2	R731	A3	R7009	B5
C707	A2	D707	A2	R732	A3	R7010	B6
C708	A2	D708	B2	R733	A3	R7011	B6
C709	B1	D709	A3	R734	A3	R7012	B6
C710	B2	D710	A3	R735	A3	R7013	A3
C711	A2	D711	A4	R736	A3	RB202	B1
C713	A2	D712	A5	R737	A3	T701	B1
C714	A2	D713	B4	R738	A3	VR701	A5
C715	A2	D714	A6	R739	A3	VR702	A5
C716	A2	E-ZD05	C1	R740	A3	ZD181	B3
C717	A2	FB181	B2	R741	A3	ZD183	C2
C718	A2	FB183	C2	R742	A2	ZD184	C3
C719	A2	FB184	C2	R743	B2	ZD185	C3
C720	A2	FB185	C2	R744	A3	ZD186	C2
C721	A2	FB186	C2	R745	A3	ZD187	C3
C722	A2	FB187	C2	R746	B3	ZD188	C3
C723	A3	FB188	C3	R747	B3	ZD701	B1
C724	A3	IC1011	C2	R748	B3	ZD1001	C2
C725	A3	IC701	A2	R749	A3		
C726	A3	IC702	A3	R750	B3		
C727	A3	IC703	A3	R751	B3		
C728	A3	IC704	A4	R752	B3		
C729	A3	IC705	A4	R753	A4		
C730	A3	JK181	B3	R754	B4		
C731	A4	JK182	C3	R755	B4		
C732	A4	JK183-A-A	C3	R756	B4		
C733	A2	JK183-A-B	C3	R757	B4		
C734	B2	L701	A1	R758	B1		
C735	A2	L702	B5	R759	B1		
C736	B2	L703	A5	R760	B1		
C737	A2	Q701	A1	R761	B1		
C738	B2	Q702	B1	R762	B1		
C739	A3	Q703	B1	R763	B1		
C740	B3	Q704	B1	R764	B1		
C741	A3	Q705	B1	R765	B1		
C742	B3	Q706	B2	R766	B1		
C743	B1	Q707	B3	R767	B1		
C744	B1	Q708	A3	R768	B1		
C745	B1	Q709	B3	R769	B2		
C746	B1	Q710	A4	R770	B2		
C747	B2	Q711	A4	R771	B2		
C748	B2	Q712	A5	R772	B2		
C749	B3	Q713	A5	R773	B2		
C750	A4	Q714	A5	R774	B3		
C751	B5	Q715	A5	R775	A4		
C752	B5	Q716	A5	R776	A4		
C753	B6	Q717	A5	R777	A4		
C754	B6	Q1101	C2	R778	A4		
C755	B6	R7	C2	R779	A5		
C756	B5	R701	A1	R780	A5		
C757	B5	R702	A1	R781	A5		
C758	B6	R703	A1	R782	A5		
C759	B5	R704	A1	R783	A5		
C760	B5	R705	A1	R784	A5		
C761	A2	R706	A1	R785	A5		
C762	A6	R707	A1	R786	A5		
C1101	C2	R708	A1	R787	A5		
C1102	C1	R709	A1	R788	A5		
C1103	C1	R710	A2	R789	A5		
C1106	C2	R711	A2	R790	A5		
C1107	C2	R712	A2	R791	A5		
C1108	C2	R713	B1	R792	A5		
C1801	B3	R714	B2	R793	A5		
C1803	C3	R715	B2	R794	A5		
C1804	C3	R716	A2	R797	B5		
C1805	C3	R717	A2	R799	A6		
C1806	C3	R718	A2	R1081	C1		
C1807	C3	R719	A2	R1084	C2		
C1808	C3	R720	A2	R1087	C2		
CN701	A1	R721	A2	R1088	C2		
CN702	A1	R722	A2	R1089	C3		
CN703	A6	R723	A2	R1091	C1		
CN1101	C1	R724	A2	R1092	C1		
CN7001AB6		R725	A2	R1093	C2		

P/N: LFM114370-0001

CIRCUIT DIAGRAM-POWER BOARD

BD901 A1 C908 A2 C919 D1 C953 A4 C963 B5 C978 D4 C988 A3 C998 C3 CN903 A1 D908 C2 D960 C3 IC954 B4 L959 D3 Q954 C3 R903 B1 R914 C2 R951 A4 R961 A5 R973 C4 R983 D4 R993 A5 TR902 B3
 BF901 A2 C909 A2 C920 C1 C954 A4 C964 C5 C979 D3 C989 A3 C999 C3 CN951 A5 D909 A2 D962 C3 IC955 D3 L966 C3 Q955 C4 R904 A2 R915 C2 R952 A4 R962 B5 R974 C3 R984 D4 R994 A5 TR903 C3
 BF902 B2 C911 C1 C921 A1 C955 B4 C965 C4 C980 D4 C990 C3 CN803A A6 CN952 C5 D910 B2 F901 D1 L901 C1 Q901 A2 Q956 D4 R905 A2 R916 D2 R953 B4 R964 B3 R975 D3 R985 D3 R995 C1 TVR901 C1
 BF903 B2 C912 D2 C922 B1 C956 B4 C969 C3 C981 B4 C991 D3 CN804A A6 D901 A2 D951 A4 GT901 C1 L951 A4 Q902 B2 Q957 C4 R906 A2 R917 D2 R954 A4 R965 B3 R976 C4 R986 D3 R996 B4 ZD901 A2
 C851 A6 C913 C2 C923 D3 C957 B4 C970 C4 C982 A3 C992 C3 CN806A A6 D902 A2 D952 A5 IC901 C2 L952 A4 Q903 C2 Q959 D4 R907 B2 R918 C2 R955 B4 R966 B4 R977 D4 R987 D3 R997 B4 ZD902 B2
 C852 A6 C914 D2 C926 A4 C958 A3 C972 C5 C983 A5 C993 C3 CN807A A6 D903 B2 D953 B5 IC902 D3 L954 B3 Q904 C2 Q960 D4 R908 B2 R919 C2 R956 B4 R967 C4 R978 D4 R988 D3 R999 D2
 C902 C1 C915 D3 C927 A4 C959 B5 C973 C3 C984 A5 C994 B3 CN808A A6 D904 B2 D954 B3 IC951 A3 L955 C3 Q905 D2 R1 B1 R910 C2 R920 D2 R957 A5 R968 C5 R979 D4 R989 C4 RT901 B1 ZD904 D1
 C903 C1 C916 D3 C928 B2 C960 B4 C974 C5 C985 A3 C995 A4 CN810A A6 D905 C2 D955 B3 IC952 A3 L956 C4 Q951 B3 R2 A1 R911 C2 R921 C2 R958 A3 R969 C5 R980 D5 R990 D4 SW801 A6 ZD905 C2
 C906 A1 C917 D3 C951 A4 C961 C4 C975 C4 C986 A3 C996 C3 CN901 D1 D906 C2 D958 B3 IC953 A3 L957 D3 Q952 B3 R3 B1 R912 C2 R922 B2 R959 B5 R971 B4 R981 D4 R991 D4 SW802 A6 ZD951 A4
 C907 B1 C918 D1 C952 A4 C962 C4 C977 D3 C987 A3 C997 C4 CN902 B1 D907 C2 D959 C3 IC953-C B5 L958 C5 Q953 C4 R902 A1 R913 C2 R923 B2 R960 A4 R972 B4 R982 D4 R992 C4 TR901 A3 ZD953 C4

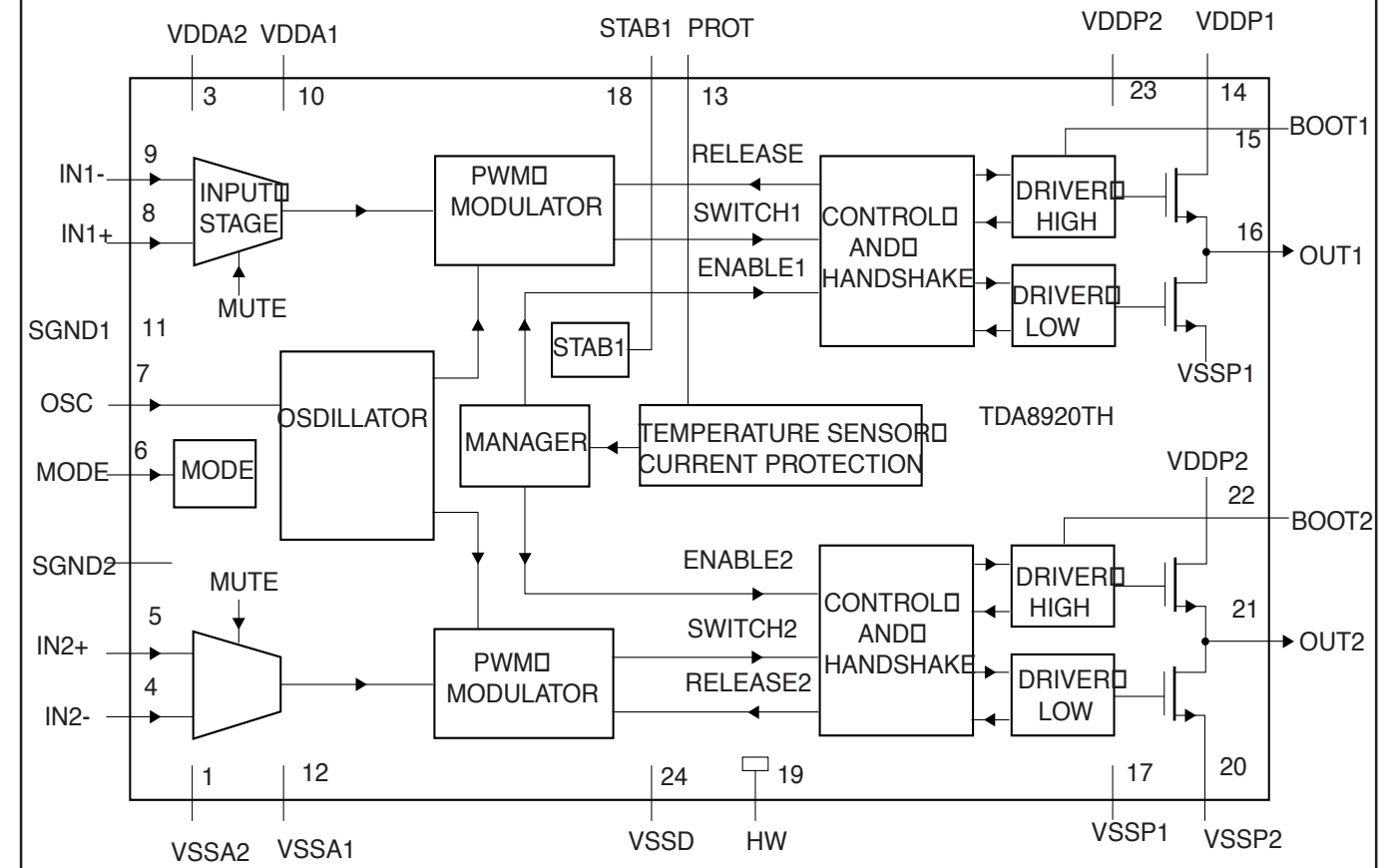


SUBWOOFER MAIN BOARD

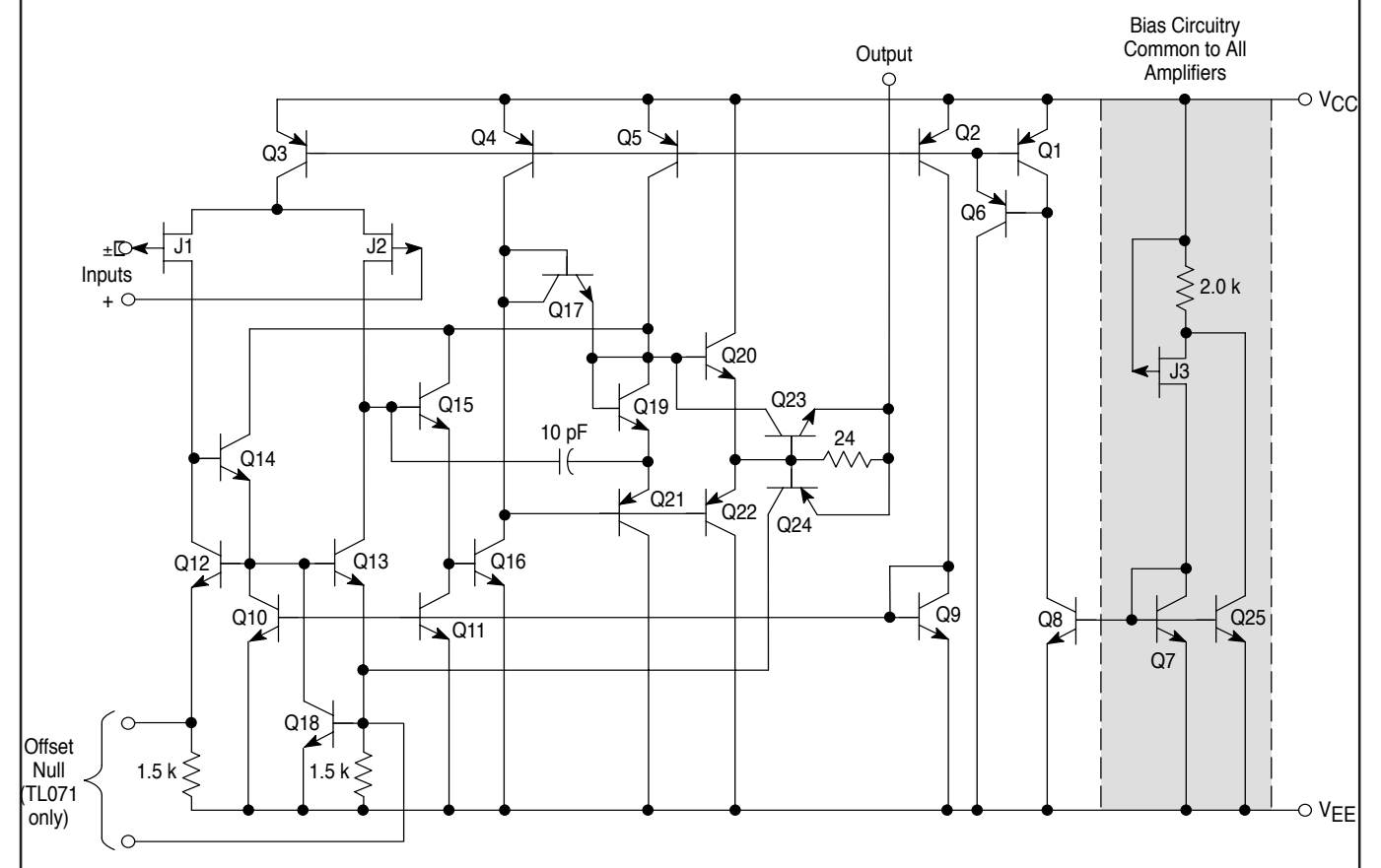
TABLE OF CONTENTS

INTERNAL IC DIAGRAM.....10-7
 Circuit Diagram.....10-8
 PCB Layout Top View.....10-9
 PCB Layout Bottom View.....10-10
 Electrical Parts List10-11

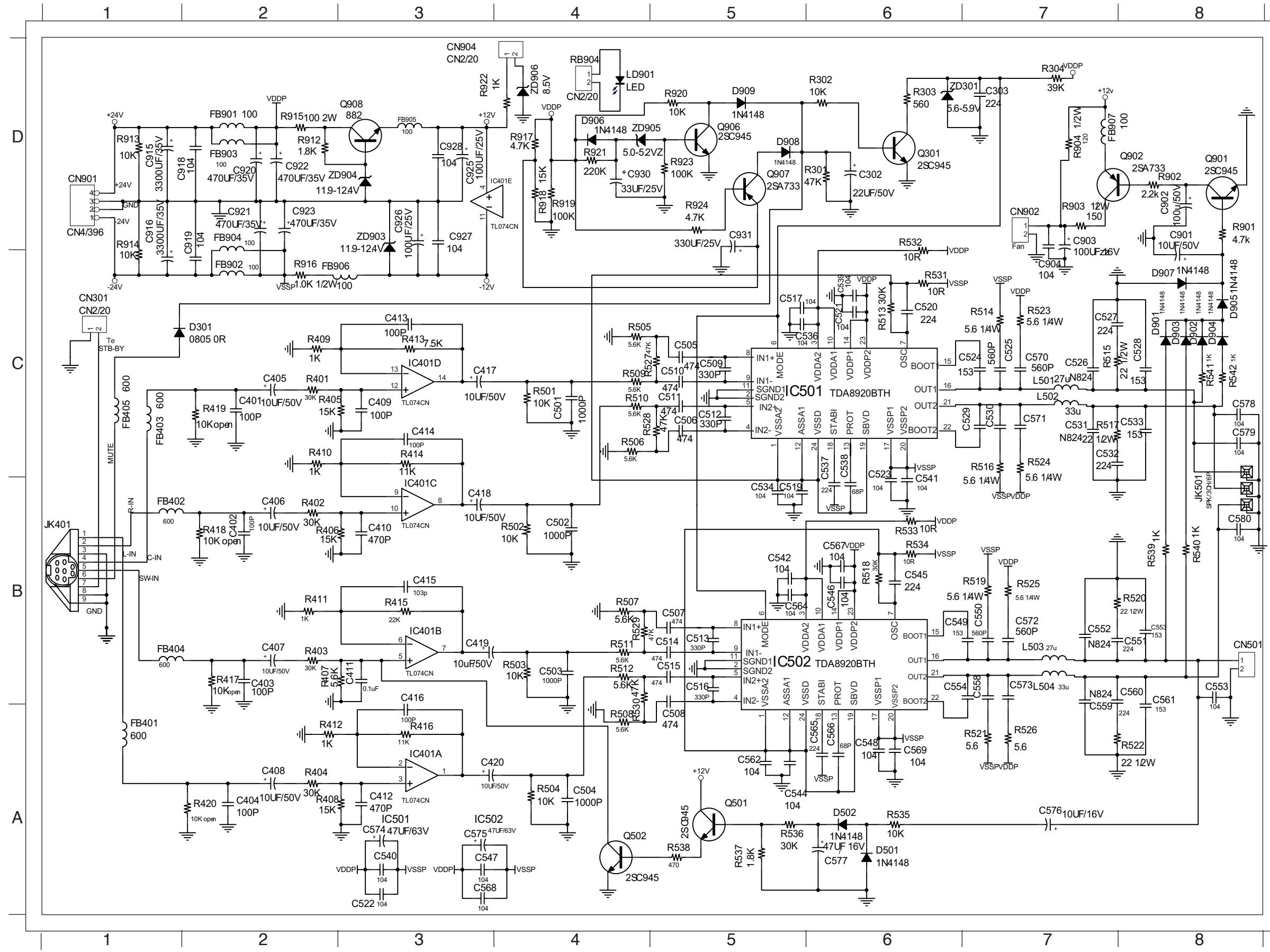
TDA8920TH INTERNAL IC DIAGRAM



TL074 INTERNAL IC DIAGRAM



CIRCUIT DIAGRAM - MAIN BOARD



- C302 D6D
- C303 D7D
- C401 C2D
- C403 B2D
- C404 A2D
- C405 C2D
- C406 B2D
- C407 B2D
- C408 A2D
- C409 C3D
- C410 B3D
- C411 B3D
- C412 A3D
- C413 C3D
- C414 C3D
- C415 B3D
- C416 B3D
- C501 C4D
- C502 B4D
- C503 B4D
- C504 A4D
- C505 C5D
- C506 C5D
- C507 B5D
- C508 A5D
- C509 C5D
- C510 C5D
- C511 C5D
- C512 C5D
- C513 B5D
- C514 B5D
- C515 B5D
- C516 B5D
- C517 C5D
- C519 B5D
- C520 C6D
- C521 C6D
- C522 A3D
- C523 B6D
- C524 C7D
- C525 C7D
- C526 C7D
- C528 C8D
- C529 C7D
- C530 C7D
- C531 C7D
- C532 C7D
- C533 C8D
- C534 B5D
- C536 C5D
- C537 B6D
- C538 B6D
- C539 C6D
- C540 A3D
- C541 B6D
- C542 B5D
- C544 A5D
- C545 B6D
- C546 B6D
- C547 A3D
- C548 A6D
- C549 B7D
- C550 B7D
- C551 B8D
- C552 B7D
- C553 B8D
- C554 B7D
- C558 B7D
- C559 B7D
- C560 B8D
- C561 B8D
- C562 A5D
- C564 B5D
- C565 A6D
- C566 A6D
- C567 B6D
- C568 A3D
- C569 A6D
- C570 C7D
- C571 C7D
- C572 B7D
- C573 B7D
- C574 A3D
- C575 A3D
- C576 D6D
- C577 D7D
- C578 C8D
- C579 C8D
- C580 B8D
- C581 D8D
- C582 D8D
- C583 D8D
- C584 D8D
- C585 D8D
- C586 D8D
- C587 D8D
- C588 D8D
- C589 D8D
- C590 D8D
- C591 D8D
- C592 D8D
- C593 D8D
- C594 D8D
- C595 D8D
- C596 D8D
- C597 D8D
- C598 D8D
- C599 D8D
- C600 D8D
- C601 D8D
- C602 D8D
- C603 D8D
- C604 D8D
- C605 D8D
- C606 D8D
- C607 D8D
- C608 D8D
- C609 D8D
- C610 D8D
- C611 D8D
- C612 D8D
- C613 D8D
- C614 D8D
- C615 D8D
- C616 D8D
- C617 D8D
- C618 D8D
- C619 D8D
- C620 D8D
- C621 D8D
- C622 D8D
- C623 D8D
- C624 D8D
- C625 D8D
- C626 D8D
- C627 D8D
- C628 D8D
- C629 D8D
- C630 D8D
- C631 D8D
- C632 D8D
- C633 D8D
- C634 D8D
- C635 D8D
- C636 D8D
- C637 D8D
- C638 D8D
- C639 D8D
- C640 D8D
- C641 D8D
- C642 D8D
- C643 D8D
- C644 D8D
- C645 D8D
- C646 D8D
- C647 D8D
- C648 D8D
- C649 D8D
- C650 D8D
- C651 D8D
- C652 D8D
- C653 D8D
- C654 D8D
- C655 D8D
- C656 D8D
- C657 D8D
- C658 D8D
- C659 D8D
- C660 D8D
- C661 D8D
- C662 D8D
- C663 D8D
- C664 D8D
- C665 D8D
- C666 D8D
- C667 D8D
- C668 D8D
- C669 D8D
- C670 D8D
- C671 D8D
- C672 D8D
- C673 D8D
- C674 D8D
- C675 D8D
- C676 D8D
- C677 D8D
- C678 D8D
- C679 D8D
- C680 D8D
- C681 D8D
- C682 D8D
- C683 D8D
- C684 D8D
- C685 D8D
- C686 D8D
- C687 D8D
- C688 D8D
- C689 D8D
- C690 D8D
- C691 D8D
- C692 D8D
- C693 D8D
- C694 D8D
- C695 D8D
- C696 D8D
- C697 D8D
- C698 D8D
- C699 D8D
- C700 D8D
- C701 D8D
- C702 D8D
- C703 D8D
- C704 D8D
- C705 D8D
- C706 D8D
- C707 D8D
- C708 D8D
- C709 D8D
- C710 D8D
- C711 D8D
- C712 D8D
- C713 D8D
- C714 D8D
- C715 D8D
- C716 D8D
- C717 D8D
- C718 D8D
- C719 D8D
- C720 D8D
- C721 D8D
- C722 D8D
- C723 D8D
- C724 D8D
- C725 D8D
- C726 D8D
- C727 D8D
- C728 D8D
- C729 D8D
- C730 D8D
- C731 D8D
- C732 D8D
- C733 D8D
- C734 D8D
- C735 D8D
- C736 D8D
- C737 D8D
- C738 D8D
- C739 D8D
- C740 D8D
- C741 D8D
- C742 D8D
- C743 D8D
- C744 D8D
- C745 D8D
- C746 D8D
- C747 D8D
- C748 D8D
- C749 D8D
- C750 D8D
- C751 D8D
- C752 D8D
- C753 D8D
- C754 D8D
- C755 D8D
- C756 D8D
- C757 D8D
- C758 D8D
- C759 D8D
- C760 D8D
- C761 D8D
- C762 D8D
- C763 D8D
- C764 D8D
- C765 D8D
- C766 D8D
- C767 D8D
- C768 D8D
- C769 D8D
- C770 D8D
- C771 D8D
- C772 D8D
- C773 D8D
- C774 D8D
- C775 D8D
- C776 D8D
- C777 D8D
- C778 D8D
- C779 D8D
- C780 D8D
- C781 D8D
- C782 D8D
- C783 D8D
- C784 D8D
- C785 D8D
- C786 D8D
- C787 D8D
- C788 D8D
- C789 D8D
- C790 D8D
- C791 D8D
- C792 D8D
- C793 D8D
- C794 D8D
- C795 D8D
- C796 D8D
- C797 D8D
- C798 D8D
- C799 D8D
- C800 D8D
- C801 D8D
- C802 D8D
- C803 D8D
- C804 D8D
- C805 D8D
- C806 D8D
- C807 D8D
- C808 D8D
- C809 D8D
- C810 D8D
- C811 D8D
- C812 D8D
- C813 D8D
- C814 D8D
- C815 D8D
- C816 D8D
- C817 D8D
- C818 D8D
- C819 D8D
- C820 D8D
- C821 D8D
- C822 D8D
- C823 D8D
- C824 D8D
- C825 D8D
- C826 D8D
- C827 D8D
- C828 D8D
- C829 D8D
- C830 D8D
- C831 D8D
- C832 D8D
- C833 D8D
- C834 D8D
- C835 D8D
- C836 D8D
- C837 D8D
- C838 D8D
- C839 D8D
- C840 D8D
- C841 D8D
- C842 D8D
- C843 D8D
- C844 D8D
- C845 D8D
- C846 D8D
- C847 D8D
- C848 D8D
- C849 D8D
- C850 D8D
- C851 D8D
- C852 D8D
- C853 D8D
- C854 D8D
- C855 D8D
- C856 D8D
- C857 D8D
- C858 D8D
- C859 D8D
- C860 D8D
- C861 D8D
- C862 D8D
- C863 D8D
- C864 D8D
- C865 D8D
- C866 D8D
- C867 D8D
- C868 D8D
- C869 D8D
- C870 D8D
- C871 D8D
- C872 D8D
- C873 D8D
- C874 D8D
- C875 D8D
- C876 D8D
- C877 D8D
- C878 D8D
- C879 D8D
- C880 D8D
- C881 D8D
- C882 D8D
- C883 D8D
- C884 D8D
- C885 D8D
- C886 D8D
- C887 D8D
- C888 D8D
- C889 D8D
- C890 D8D
- C891 D8D
- C892 D8D
- C893 D8D
- C894 D8D
- C895 D8D
- C896 D8D
- C897 D8D
- C898 D8D
- C899 D8D
- C900 D8D
- C901 D8D
- C902 D8D
- C903 D8D
- C904 D8D
- C905 D8D
- C906 D8D
- C907 D8D
- C908 D8D
- C909 D8D
- C910 D8D
- C911 D8D
- C912 D8D
- C913 D8D
- C914 D8D
- C915 D8D
- C916 D8D
- C917 D8D
- C918 D8D
- C919 D8D
- C920 D8D
- C921 D8D
- C922 D8D
- C923 D8D
- C924 D8D
- C925 D8D
- C926 D8D
- C927 D8D
- C928 D8D
- C929 D8D
- C930 D8D
- C931 D8D
- C932 D8D
- C933 D8D
- C934 D8D
- C935 D8D
- C936 D8D
- C937 D8D
- C938 D8D
- C939 D8D
- C940 D8D
- C941 D8D
- C942 D8D
- C943 D8D
- C944 D8D
- C945 D8D
- C946 D8D
- C947 D8D
- C948 D8D
- C949 D8D
- C950 D8D
- C951 D8D
- C952 D8D
- C953 D8D
- C954 D8D
- C955 D8D
- C956 D8D
- C957 D8D
- C958 D8D
- C959 D8D
- C960 D8D
- C961 D8D
- C962 D8D
- C963 D8D
- C964 D8D
- C965 D8D
- C966 D8D
- C967 D8D
- C968 D8D
- C969 D8D
- C970 D8D
- C971 D8D
- C972 D8D
- C973 D8D
- C974 D8D
- C975 D8D
- C976 D8D
- C977 D8D
- C978 D8D
- C979 D8D
- C980 D8D
- C981 D8D
- C982 D8D
- C983 D8D
- C984 D8D
- C985 D8D
- C986 D8D
- C987 D8D
- C988 D8D
- C989 D8D
- C990 D8D
- C991 D8D
- C992 D8D
- C993 D8D
- C994 D8D
- C995 D8D
- C996 D8D
- C997 D8D
- C998 D8D
- C999 D8D
- C1000 D8D

POWER + LED BOARDS

IC-KA7500C INTERNAL IC DIAGRAM

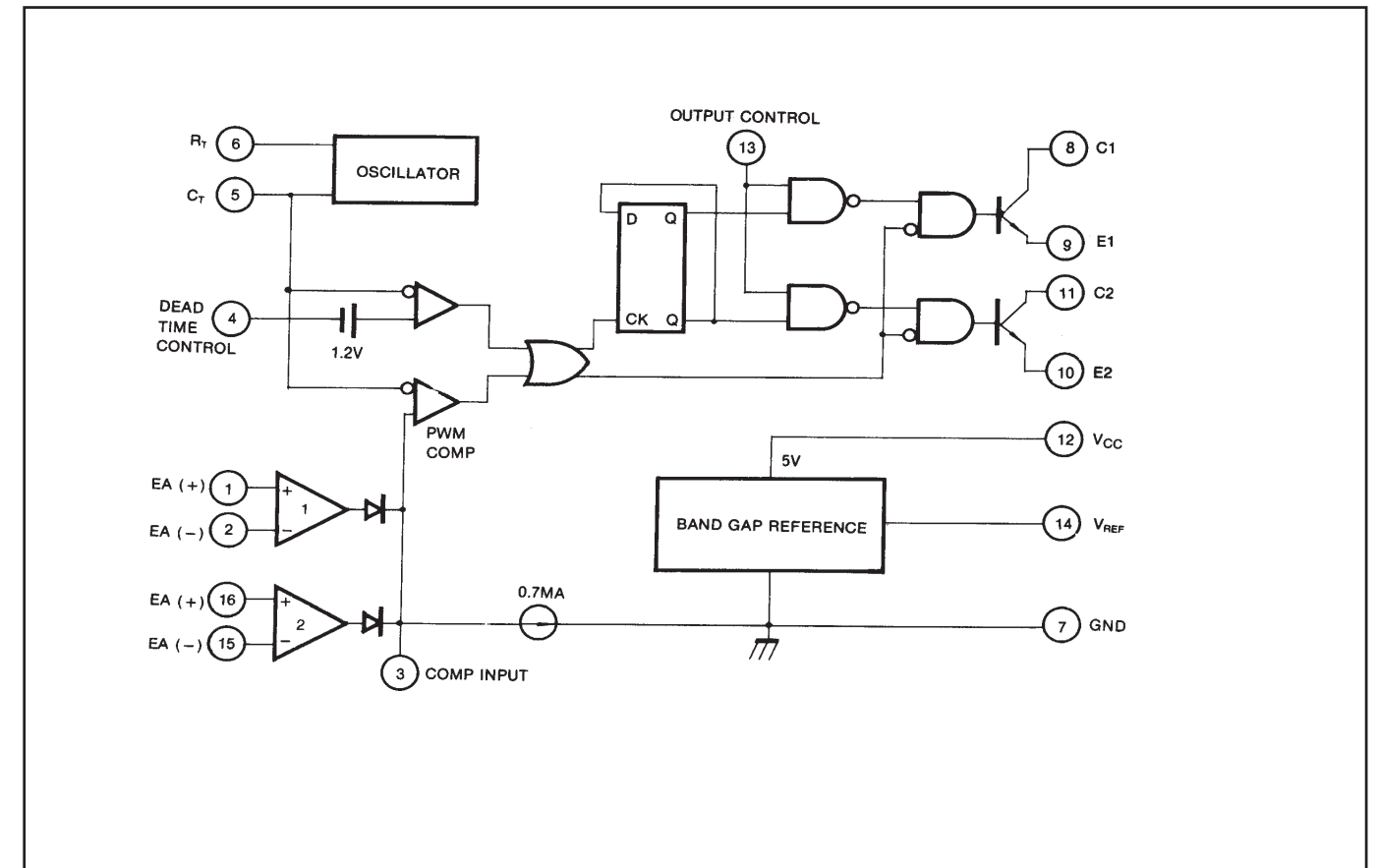
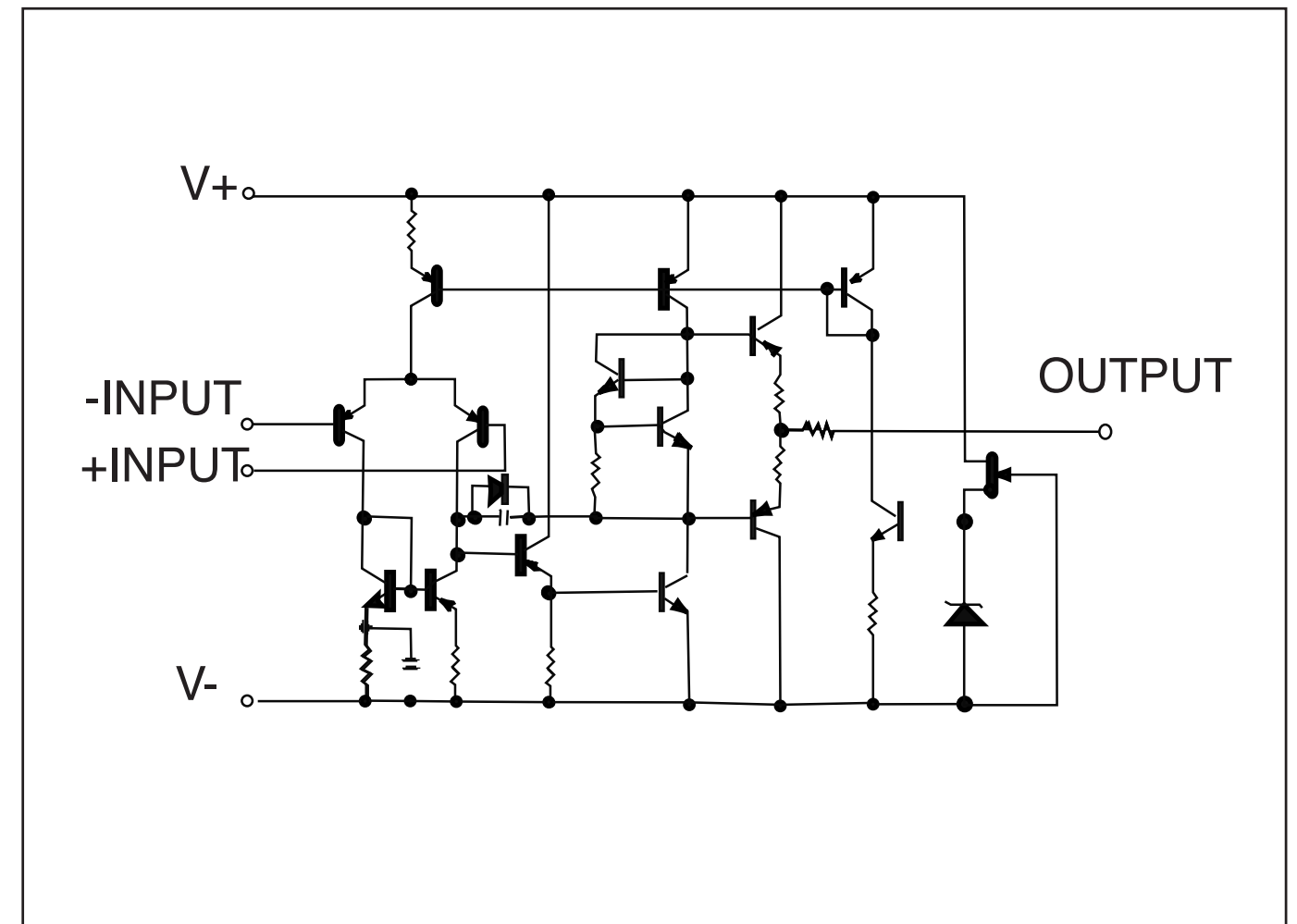


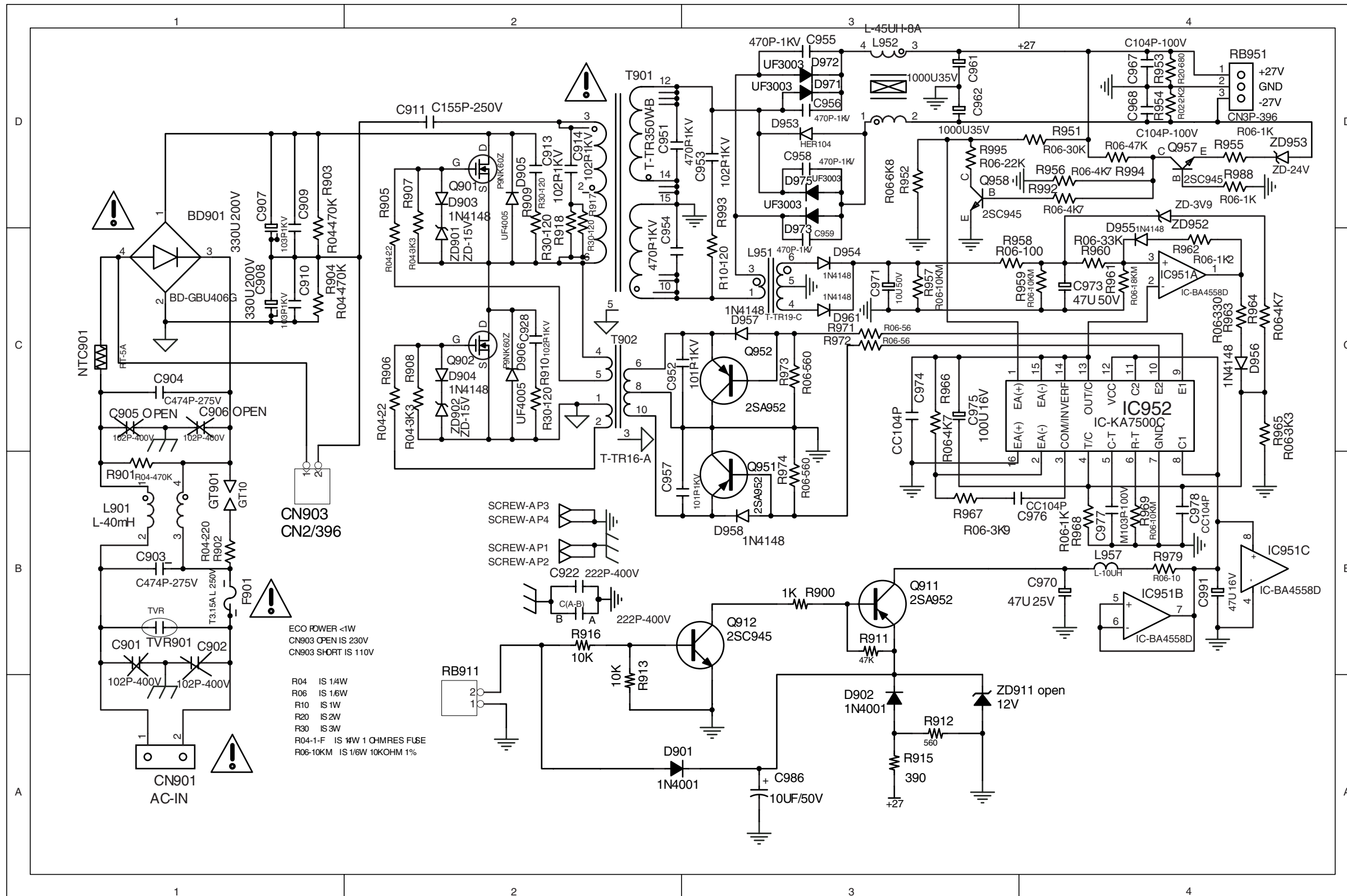
TABLE OF CONTENTS

Internal IC Diagram	10-12
Circuit Diagram	10-13
PCB Layout View	10-14
Electrical Parts list	10-15

IC-BA4558D INTERNAL IC DIAGRAM



CIRCUIT DIRGRAM - POWER BOARD



ECO POWER <1W
 CN903 OPEN IS 230V
 CN903 SHORT IS 110V

R04 IS 1/4W
 R06 IS 1/6W
 R10 IS 1W
 R20 IS 2W
 R30 IS 3W
 R04-1-F IS 1/4W 1 OHMRES FUSE
 R06-10KM IS 1/6W 10KOHM 1%

BD901	D1	NTC901	C1
C901	B1	Q901	D2
C902	B1	Q902	C2
C903	B1	Q911	B3
C904	C1	Q912	B3
C907	D1	Q951	B3
C908	C1	Q952	C3
C909	D1	Q957	D4
C910	C1	Q958	D3
C911	D2	R900	B3
C913	D2	R901	B1
C914	D2	R902	B1
C922	B2	R903	D1
C928	C2	R904	C1
C951	D2	R905	D2
C952	C2	R906	C2
C953	D3	R907	D2
C954	C2	R908	C2
C955	D3	R909	D2
C958	D3	R910	C2
C961	D3	R911	B3
C962	D3	R912	A3
C967	D4	R913	A2
C968	D4	R915	A3
C970	B4	R916	B2
C971	C3	R917	D2
C973	C4	R918	D2
C974	C3	R951	D4
C975	C3	R952	D3
C976	B4	R953	D4
C977	B4	R954	D4
C978	B4	R955	D4
C991	B4	R956	D4
CN901	A1	R957	C3
CN903	B1	R958	C3
D901	A2	R959	C4
D902	A3	R960	C4
D903	D2	R961	C4
D904	C2	R962	C4
D905	D2	R963	C4
D906	C2	R964	C4
D953	D3	R965	C4
D954	C3	R966	C3
D955	C4	R967	B3
D956	C4	R968	B4
D957	C3	R969	B4
D958	B3	R971	C3
D961	C3	R972	C3
D971	D3	R973	C3
D972	D3	R974	B3
D973	D3	R979	B4
D975	D3	R988	D4
F901	B1	R992	D4
GT901	B1	R993	D3
IC951A	C4	R994	D4
IC951B	B4	R995	D3
IC951C	B4	RB911	A2
IC952	C4	RB951	D4
L901	B1	T901	D2
L951	C3	T902	C2
L952	D3	TVR901	B1
L957	B4	ZD901	C2
		ZD902	C2
		ZD952	D4
		ZD953	D4