



TELEPHONE INTERCOM ACCESSORIES

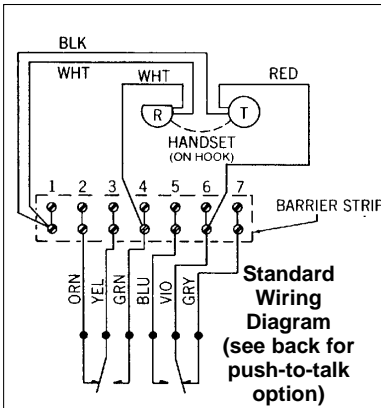
**CE SERIES, DP-1A
OPTIONS -DT, DY, LT600-VC
TPS24-05, TS302A**



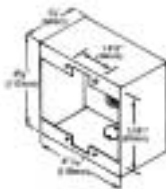
CE-2A-AC



DP-1A



TS302A



WALL MOUNT HANDSET/HOOKSWITCH ASSEMBLIES

- Units are Designed for Use with Telephone Intercoms or Paging Systems
- Circuitry Provides Precise Speech Reproduction.
- Shipped Assembled and Wired to a Barrier Strip Terminal Block on the Mounting Plate with Color Coded Leads and Spade Plugs.
- Brushed Steel Wall Plates Fit Standard Electrical Boxes (Hardware Included)
- DPDT Style Hookswitch can be Wired as Form A, B, or C to Meet Your System Needs.

CE-2A-AC. Series features a standard "500" style neutral color handset with a chrome hookswitch, and brushed stainless steel plate. The hookswitch is a leaf type with cross bar palladium contacts for long-life and trouble-free operation. Model CE-2A has a flexible coil cord. Model CE-2A-AC includes a 25" (635mm) stainless steel armored cable, securely fastened to mounting plate and handset for installations that require vandal protection. (Option requires 3¼"(83mm) in front of plate, 1½" (38mm) behind plate).

DP-1A DESK INTERCOM STATION ASSEMBLY MODEL. The DP-1A is a "2500" style desk-top telephone which has the same quality features as the CE Series. Assembly includes handset, two form "C" (DPDT) hookswitches, transmitter, receiver, housing with blank front panel, and coiled cord. Unit is wired to an interior mounted terminal block and supplied with spade lugs for quick modification. Unit does not include ringer, induction coil. Made of neutral color high-impact thermoplastic.

CE Series AND Model dp-1a Specifications

Switch	2 form "C", DPDT
Contact rating	1 amp @ 24VDC
Transmitter	High quality carbon (25-50 ohms impedance)
Receiver	Magnetic, ring armature diaphragm (150 ohms impedance)
Handset	Neutral color high impact thermoplastic
HANGER	Chrome plated steel (CE Series)
Mounting Plate	Type 304 brushed stainless steel CE Series

MODEL	MOUNTING PLATE	PUSH-TO-TALK SWITCH OPTION* (see back side)	Dimensions (W x H x D)	WEIGHT
CE-2A	2 Gang	-PT	4-1/2" x 4-1/2" x 2-1/4"	1.2 Lbs. (.55 kg.)
CE-2A-AC	2 Gang	-	4-1/2" x 4-1/2" x 2-1/4"	1.2 Lbs. (.55 kg.)
DP-1A	Desk Model	-PT	4-3/4" x 4-3/4" x 8-1/2"	2.7 Lbs. (1.2 kg.)

* Suffix Model with (-PT) Example: Model DP-1A would become Model DP-1A-PT.

SURFACE MOUNTING TELEPHONE INTERCOM ENCLOSURE

Sturdy CRS box is designed for surface mounting Atlas Sound intercom station Series CE. Knock-outs are provided on the bottom and back. Two mounting holes are conveniently located for mounting to an outlet box if required. Finish is neutral gray epoxy.

MODEL	MOUNTS	DIMENSIONS (W x H x D)	WEIGHT
TS302A	CE-2A(-AC)	4-11/16" x 4-5/8" x 2-15/32"	1 Lb. (.45 kg.)

Specifications subject to change without notice



Northeast Total Communications

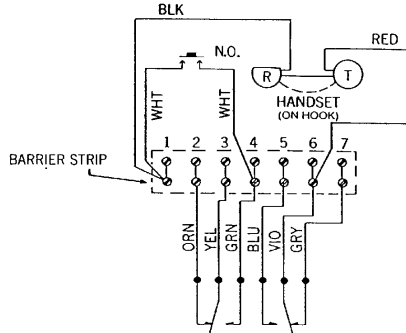
Toll free: (800)-362-7542 Fax: (215)-639-2476 E-mail: info@ntcinc.com

EIGHT

359



PT Option



TPS24-05

PT OPTION: PUSH-TO-TALK BUTTON SWITCH

This factory-installed option consists of a standard "500" style handset with the addition of a pushbutton switch located conveniently on the handset. The switch-contact arrangement is form "C" (SPDT) and is wired as form "A" (SPST). Configuration is ideal for use in relay-control, push-to-call, and a variety of other switch, communication, and signaling applications. It is available on CE-2A and DP-1A by adding a (-PT) suffix.

DY-1 DYNAMIC TRANSMITTER

This accessory is designed for installations in which the telephone handset would be used as a paging microphone. The dynamic transmitter is the low-impedance type suitable for input to the Lo-Z microphone input of the amplifier. Assembly replaces the carbon transmitter with a moving coil (dynamic, 500 ohms @ 1KHz with a response of 250-5000Hz) transmitter that has an impedance of 500 ohms @ 1 kHz.

ACCESSORIES & REPLACEMENT PARTS FOR CE SERIES AND MODEL DP-1A

MODEL	DESCRIPTION	COLOR	WEIGHT
RU-1	Receiver	-	.5Lb. (.2 kg.)
TU-1	Transmitter	-	1.5 Lbs. (.7 kg.)
DY-1	Dynamic Transmitter	-	1 Lb. (.4 kg.)
CEK-1A	Cord	Neutral	.5Lbs. (.2 kg.)

TELEPHONE POWER SUPPLY FOR COMMON-TALK SYSTEMS

TPS24-05 The TPS24-05 is a combination 24 VDC / TALK voltage power supply, engineered to power most common-talk telephone intercom systems. (See SL5-1425 on DC power supplies and SL8-1433 for common-talk telephone intercom applications.) Black epoxy finish with a 6' power cord.

INPUT	OUTPUT (Nominal)	RIPPLE (Talk Voltage)	REGULATION (0-Full Load)	DIMENSIONS L x H x D	WEIGHT
117 VAC, @ 60 Hz, 26 Watts	24 VDC @ 1/2 amp	.5 mV & TALK voltage output	500 mV	6" x 3" x 2" (171 x 92 x 51 mm)	3.0 Lbs. (1.4 kg)

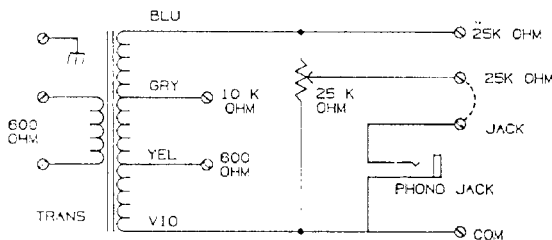
600-OHM IMPEDANCE MATCHING TRANSFORMER

LT600-VC Versatile unit matches line level, 600-ohm line circuits with HI-Z circuits. It can also be used as a 600-ohm to 600-ohm isolation transformer. Recommended for coupling of line level audio or common-talk phones into amplified sound systems, background music and paging systems, recording equipment, or studio electronics. Built-in potentiometer provides optional adjustability for the 25K output level. The 600-ohm input may be matched to 600, 10K, and 25K-ohm circuits. All components are mounted on a printed circuit board. Steel chassis includes mounting ears and "insta-mount" tape. Transformer is shielded to minimize induced hum. Unit includes a phono jack on the output side for convenient connection to amplifier or other equipment circuitry. Jack can be connected to various transformer taps via barrier strip jumper. (Factory-installed jumper connects jack to potentiometer output.)

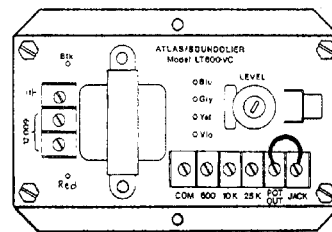
INPUT IMP.	OUTPUT IMP.	FREQUENCY RESP.	DIMENSIONS	WEIGHT
600 Ohms	600, 10K, 25K Ohms	60Hz-12KHz	4 7/8" W x 3 1/8" H x 1 3/4" D (124 x 80 x 44mm)	2.5 Lbs. (1.1 kg)



LT600-VC



SCHEMATIC



CIRCUIT BOARD

Specifications subject to change without notice



Northeast Total Communications

Toll free: (800)-362-7542 Fax: (215)-639-2476 E-mail: info@ntcinc.com



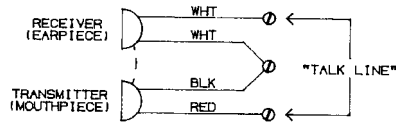
FOR YOUR INFORMATION

COMMON TALK TELEPHONE INTERCOM APPLICATIONS

Atlas Sound offers a selection of telephone stations and related accessories which can be used to create a variety of common talk

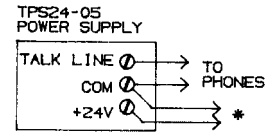
telephone intercom systems. For details on individual models, refer to specification sheet SL8-1434, "Telephone Intercom Accessories."

**Figure 1:
Handset
(Series
Connected)**



All of the common talk telephone stations described on this sheet utilize series-connected handset elements.

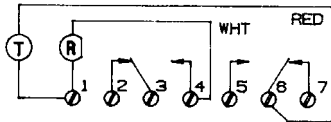
**Figure 2:
Using a
Common
Talk Line**



* Can be used for other devices. See further applications.

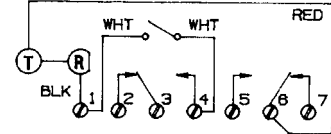
Two or more (handsets) may be connected in parallel across a common "talk line," which must then be connected to an appropriate DC voltage source (the talk-line output of the Model TPS24-05 power supply combined with any 24 VDC power supply).

**Figure 3:
CE and DP-1A
Series
Telephones**



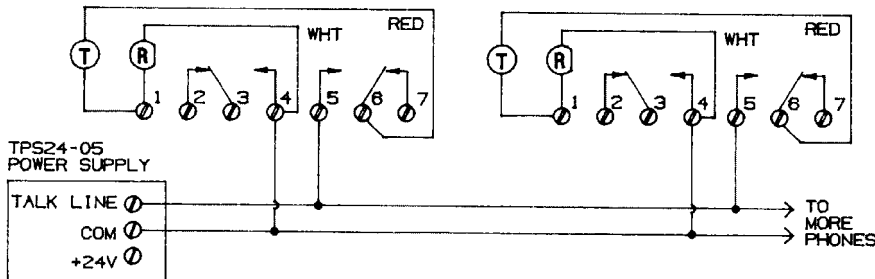
Each telephone intercom station is equipped with a two-form "C" (DPDT) hookswitch and is wired to the handset.

**Figure 4:
"PT" Option
for CE-2A
and DP-1A**



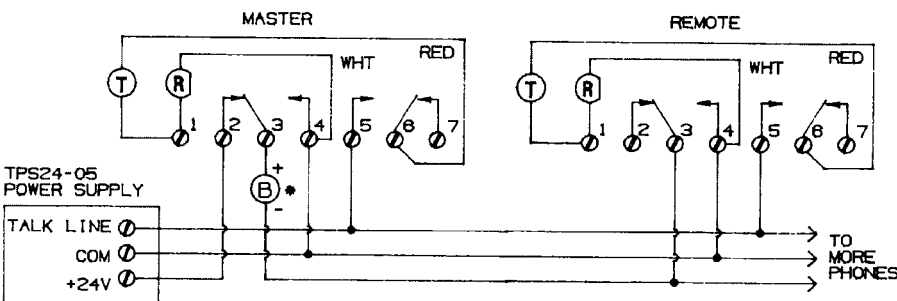
A commonly used option available on the CE-2A and DP-1A telephone station is the handset-mounted pushbutton, known as the "PT" option.

Note: All hookswitch diagrams are shown with handset "on-hook."



APPLICATION 1: SIMPLE MULTI-STATION COMMON TALK SYSTEM

Description: An unlimited number of stations can be connected to the common talk line because the handsets are disconnected from the line when hung up. More than five units "off-hook" at once, however, will cause a noticeable decrease in audio level.



APPLICATION 2: AUTOMATIC CALL-IN TO MASTER STATION

Description: When any remote phone is lifted off-hook, buzzer in master turns on. When master is lifted off-hook, buzzer turns off.

(B) * Buzzer installs inside or near master station.

Specifications subject to change without notice

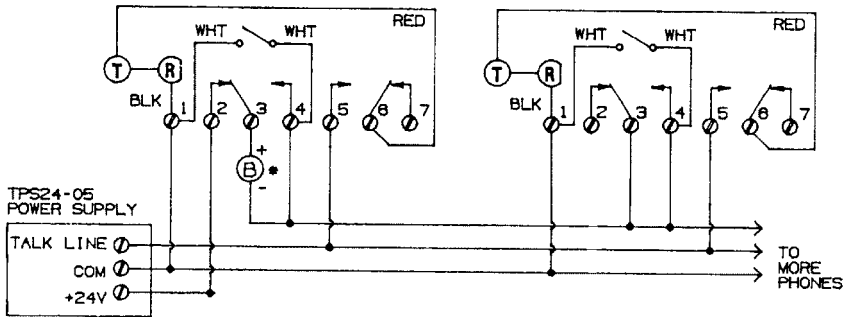


Northeast Total Communications

Toll free: (800)-362-7542 Fax: (215)-639-2476 E-mail: info@ntcinc.com

EIGHT

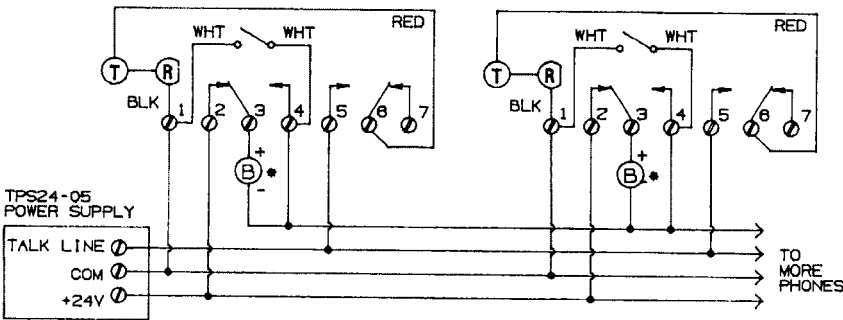
361



APPLICATION 3: MANUAL CALL-IN TO MASTER STATION

Description: Caller at remote station lifts handset and presses "PT" button, momentarily activating buzzer at master. Buzzer is disabled when master handset is lifted. Advantage of this scheme is that master buzzer is not activated by remote handset inadvertently left off-hook.

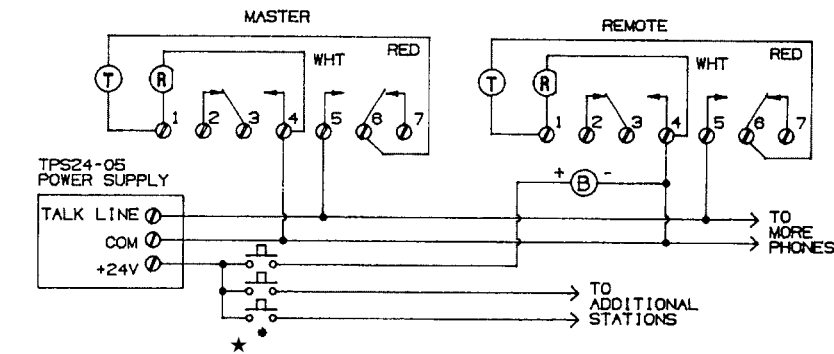
ⓑ* Buzzer installs inside or near master station.



APPLICATION 4: COMMON CALL SYSTEM

Description: When any handset is lifted off-hook and the "PT" button depressed, the buzzers in all other stations will sound. This scheme could be used as a low-cost alternative to a PageKom system (25 stations maximum). (See SL8-1455, "PageKom Intercommunication Systems and Accessories.")

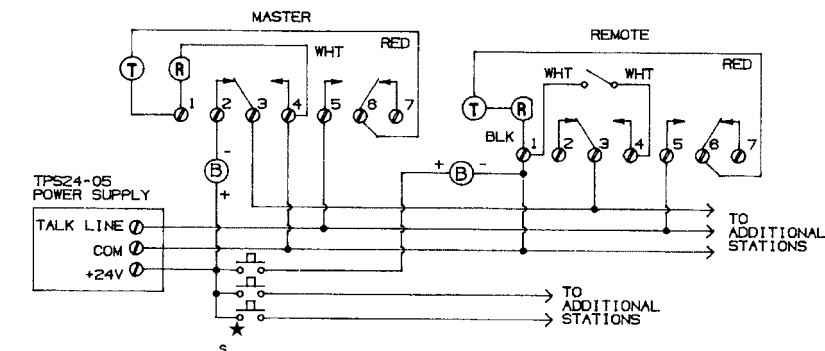
ⓑ* Buzzer installs inside or near master station.



APPLICATION 5: SELECTIVE CALL FROM MASTER

Description: By depressing the appropriate pushbutton on an Atlas Sound Modular Paging Communications Center (MPC Series), this master station can "call" any remote station. For details on the MPC Series, see SL5-1504 "Modular Paging Communications Center", or SL5-1506 "FYI- Installation and Modification Instructions of MPC Series".

★ Momentary pushbuttons. Use MPC-Series switch modules.



APPLICATION 6: SELECTIVE CALL FROM MASTER AND REMOTE CALL-IN TO MASTER

Description: Same system as shown in Application 5 (using MPC-Series switch modules), except that the remote stations are able to call the master by depressing the handset "PT" button.

★ MPC-Series switch modules

Specifications subject to change without notice



Northeast Total Communications

Toll free: (800)-362-7542 Fax: (215)-639-2476 E-mail: info@ntcinc.com