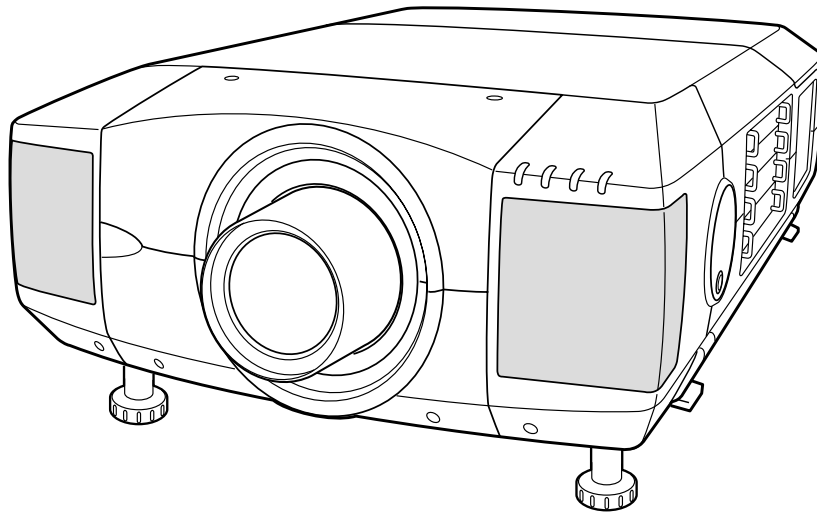


SERVICE MANUAL

MODEL NO. **PLC-XF40**

Multimedia Projector

U.S.A., Canada, Europe, Asia, Africa, M.E., U.K.



(Projection lens is optional.)

Chassis No. MC8-XF4000

NOTE: Match the Chassis No. on the rating sheet on the cabinet with the Chassis No. in the Service Manual.

If the Original Version Service Manual Chassis No. does not match the unit's, additional Service Literature is required. You must refer to "Notices" to the Original Service Manual prior to servicing the unit.

Give complete "CHASSIS NO." for parts order or servicing, it is shown on the rating sheet on the cabinet of the Projector.

CONTENTS ;

Specifications	2
Safety Instructions	3
Protections	4
Ass'y lamp replacement	6
Mechanical disassemblies	9
Optical unit disassemblies	13
Troubleshooting	18
Waveforms	33
Electrical adjustments	35
Optical adjustments	43
CPU input/output port functions	49
The cautions in schematic diagrams	53
Unit PFC, Unit lamp ballast and IC block diagrams	55
Parts list	60
Cabinet, Chassis and Optical parts list	63
Electrical parts list	67
Schematic diagrams	S1~S10
Block diagrams	B1~B2
PWB parts location diagrams	P1~P6

PRODUCT CODE :

PLC-XF40	MC8A	1 122 119 00	U.S.A. , Canada
PLC-XF40	PC8A	1 122 120 00	Continental Europe, Asia, Africa, M.E.
PLC-XF40	PC8C	1 122 120 02	U.K.

REFERENCE NO. **SM5110318**

TECHNICAL SPECIFICATIONS

Projector Type	Multi-media Projector
Dimensions (W x H x D)	22.9" x 10" x 30.9" (581 mm x 252 mm x 783 mm)
LCD Panel System	1.8" TFT Active Matrix type, 3 panels
Panel Resolution	1024 x 768 dots
Number of Pixels	2,359,296 (1024 x 768 x 3 panels)
Color System	PAL, SECAM, NTSC, NTSC4.43, PAL-M and PAL-N
High Definition TV Signal	480i, 480p, 575i, 575p, 720p, 1035i, 1080i-50 and 1080i-60
Motorized Lens Shift	Up, Down, Left and Right
Scanning Frequency	H-sync. 15 ~ 120 KHz, V-sync. 50 ~ 120 Hz
Horizontal Resolution	800 TV lines
Projection Lamp	200 watt type x 4
Input 1 Jacks	DVI-I Terminal (Digital/Analog), RCA Type (Audio R and L) and DIN 8-pin (Control port)
Input 2 Jacks	BNC Type x 5 (R/Pr, G/Y, B/Pb, H/HV and V), RCA Type (Audio R and L) and DIN 8-pin (Control port)
Input 3 Jacks	BNC Type x 2 (VIDEO/Y, C), RCA Type (Audio R and L) and DIN 4-pin (S-Video)
Input 4 Jacks	HDB 15-pin Terminal (Analog), RCA Type (Audio R and L) and DIN 8-pin (Control port)
Other Jacks	Serial port in (DB 9), Serial port out (DB 9), USB port, Audio Monitor out (RCA Type R and L) and Wired Remote Jack
Built-in Speakers	INT. SP. Stereo (R and L), 3 watt RMS (T.H.D. 10%)
Feet Adjustment	0° to 5.7°
Voltage and Power Consumption	AC 100 ~ 120 V (12.5 A Max. Ampere), 50 / 60 Hz AC 200 ~ 240 V (6.2 A Max. Ampere), 50 / 60 Hz
Operating Temperature	41 °F ~ 95 °F (5 °C ~ 35 °C)
Storage Temperature	14 °F ~ 140 °F (-10 °C ~ 60 °C)
Remote Control Transmitter	Power Source : AA, UM3 or R06 Type x 2 Operating Range : 16.4' (5m) / ±30° Dimensions : 2.2" x 1.3" x 7.6" (55mm x 34mm x 192mm) Net Weight : 0.36 lbs (165 g) (including batteries) Laser Pointer : Class II Laser (Max. Output : 1mW / Wave length : 650±20nm)
Accessories	Owner's Manual AC Power Cord Wireless/Wired Remote Control Transmitter and Batteries Remote Control Cable VGA Cable and DVI Cable MAC/VGA Adapter and DVI/VGA Adapter 3 Types Control Cable (For PS/2, Serial and ADB port) 6 Types Light-Block Sheet (For option lens) Lens Mounting Adapter Protective Dust Cover

● Specifications are subject to change without notice.

TECHNICAL SPECIFICATIONS

Projector Type	Multi-media Projector
Dimensions (W x H x D)	22.9" x 10" x 30.9" (581 mm x 252 mm x 783 mm)
LCD Panel System	1.8" TFT Active Matrix type, 3 panels
Panel Resolution	1024 x 768 dots
Number of Pixels	2,359,296 (1024 x 768 x 3 panels)
Color System	PAL, SECAM, NTSC, NTSC4.43, PAL-M and PAL-N
High Definition TV Signal	480i, 480p, 575i, 575p, 720p, 1035i, 1080i-50 and 1080i-60
Motorized Lens Shift	Up, Down, Left and Right
Scanning Frequency	H-sync. 15 ~ 120 KHz, V-sync. 50 ~ 120 Hz
Horizontal Resolution	800 TV lines
Projection Lamp	200 watt type x 4
Input 1 Jacks	DVI-I Terminal (Digital/Analog), RCA Type (Audio R and L) and DIN 8-pin (Control port)
Input 2 Jacks	BNC Type x 5 (R/Pr, G/Y, B/Pb, H/HV and V), RCA Type (Audio R and L) and DIN 8-pin (Control port)
Input 3 Jacks	BNC Type x 2 (VIDEO/Y, C), RCA Type (Audio R and L) and DIN 4-pin (S-Video)
Input 4 Jacks	HDB 15-pin Terminal (Analog), RCA Type (Audio R and L) and DIN 8-pin (Control port)
Other Jacks	Serial port in (DB 9), Serial port out (DB 9), USB port, Audio Monitor out (RCA Type R and L) and Wired Remote Jack
Built-in Speakers	INT. SP. Stereo (R and L), 3 watt RMS (T.H.D. 10%)
Feet Adjustment	0° to 5.7°
Voltage and Power Consumption	AC 100 ~ 120 V (12.5 A Max. Ampere), 50 / 60 Hz AC 200 ~ 240 V (6.2 A Max. Ampere), 50 / 60 Hz
Operating Temperature	41 °F ~ 95 °F (5 °C ~ 35 °C)
Storage Temperature	14 °F ~ 140 °F (-10 °C ~ 60 °C)
Remote Control Transmitter	Power Source : AA, UM3 or R06 Type x 2 Operating Range : 16.4' (5m) / ±30° Dimensions : 2.2" x 1.3" x 7.6" (55mm x 34mm x 192mm) Net Weight : 0.36 lbs (165 g) (including batteries) Laser Pointer : Class II Laser (Max. Output : 1mW / Wave length : 650±20nm)
Accessories	Owner's Manual AC Power Cord Wireless/Wired Remote Control Transmitter and Batteries Remote Control Cable VGA Cable and DVI Cable MAC/VGA Adapter and DVI/VGA Adapter 3 Types Control Cable (For PS/2, Serial and ADB port) 6 Types Light-Block Sheet (For option lens) Lens Mounting Adapter Protective Dust Cover


● Specifications are subject to change without notice.

Safety Instructions



SAFETY PRECAUTIONS

WARNING:

The chassis of this projector is isolated (COLD) from AC line by using the converter transformer. Primary side of the converter and lamp power supply unit circuit is connected to the AC line and it is hot, which hot circuit is identified with the line () in the schematic diagram. For continued product safety and protection of personnel injury, servicing should be made with qualified personnel.

The following precautions must be observed.


- 1: An isolation transformer should be connected in the power line between the projector and the AC line before any service is performed on the projector.
- 2: Comply with all caution and safety-related notes provided on the cabinet back, cabinet bottom, inside the cabinet or on the chassis.
- 3: When replacing a chassis in the cabinet, always be certain that all the protective devices are installed properly, such as, control knobs, adjustment covers or shields, barriers, etc.

DO NOT OPERATE THIS PROJECTOR WITHOUT THE PROTECTIVE SHIELD IN POSITION AND PROPERLY SECURED.

- 4: Before replacing the cabinet cover, thoroughly inspect the inside of the cabinet to see that no stray parts or tools have been left inside.

Before returning any projector to the customer, the service personnel must be sure it is completely safe to operate without danger of electric shock.

PRODUCT SAFETY NOTICE

Product safety should be considered when a component replacement is made in any area of the projector. Components indicated by mark  in the parts list and the schematic diagram designate components in which safety can be of special significance. It is, therefore, particularly recommended that the replacement of the parts must be made by exactly the same parts.

SERVICE PERSONNEL WARNING

Eye damage may result from directly viewing the light produced by the Lamp used in this equipment. Always turn off Lamp before opening cover. The Ultraviolet radiation eye protection is required during this servicing.

Never turn the power on without the lamp to avoid electric-shock or damage of the devices since the stabilizer generates high voltages (20~25kV) at its starts.

Since the lamp is very high temperature during units operation. Replacement of the lamp should be done at least 45 minutes after the power has been turned off, to allow the lamp cool-off.

DO NOT ATTEMPT TO SERVICING THE REMOTE CONTROL UNIT.

Laser Beam may be leaked out when in disassemble the Unit. As the Laser Beam used in this Remote control unit is harmful to the eyes.

CAUTION



LASER RADIATION
DO NOT STARE INTO BEAM
MAX. OUTPUT: 1mW
WAVE LENGTH: 650±20nm
CLASS II LASER PRODUCT

This product is complied with 21 CFR
part 1040.10

LASER RADIATION
DO NOT STARE INTO BEAM
CLASS 2 LASER PRODUCT
LASER-STRAHLUNG
NICHT IN DEN STRAHL BLICKEN
LASER KLASSE 2
レーザー放射クラス2レーザー製品
ビームをのぞきまなないこと
IEC60825-1, Am. 1 1997
MAX OUTPUT (最大出力) : 1 mW
WAVE LENGTH (波長) : 650±20nm

Protections

This projector is equipped with the following protections to operate in safety.

☐ Fuse for circuit protection

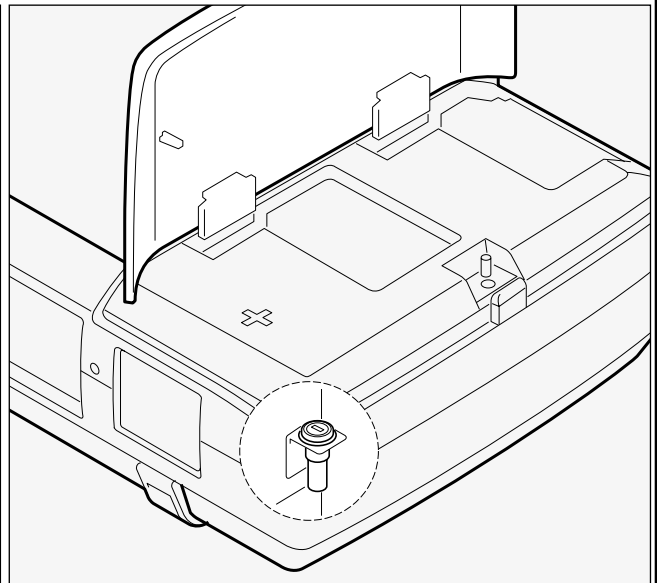
The fuse is located in the rear inside a projector. (Refer to figure.) When either the LAMP indicator or the READY indicator is not illuminated, fuse may be opened. Check the fuse as following steps.

1. Remove the Cabinet-top following to "Mechanical Disassemblies".
 2. Remove the fuse from fuse holder.
 3. Check the resistance of fuse using a tester.
- To install the fuse, take reversed step in the above.

It should be used the specified fuse as follows;

Fuse Part No.: 423 028 4209
TYPE 15.0A400V FUSE
SOC CORP. SHV14 15A N4

MJ6A



ATTENTION: POUR MAINTENIR LA PROTECTION CONTRE LES RISQUES D'INCENDIE. N'UTILISER QUE DES FUSIBLES DE RECHANGE CALIBRES A 15.0A400V FUSE.(SOC CORP.SHV14 15A N4)

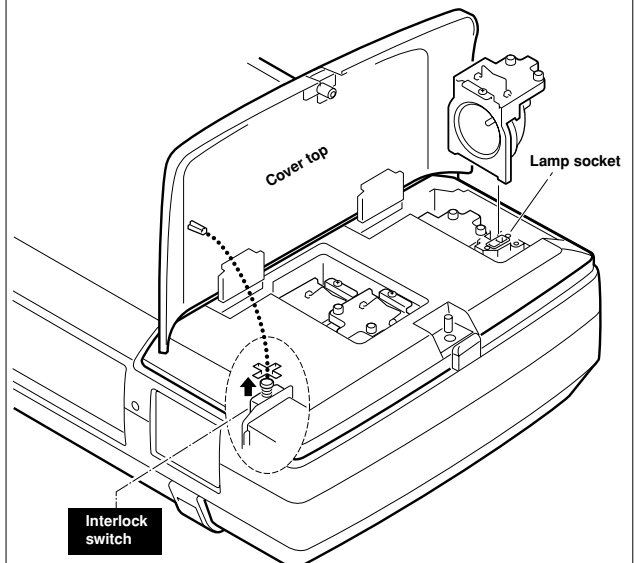
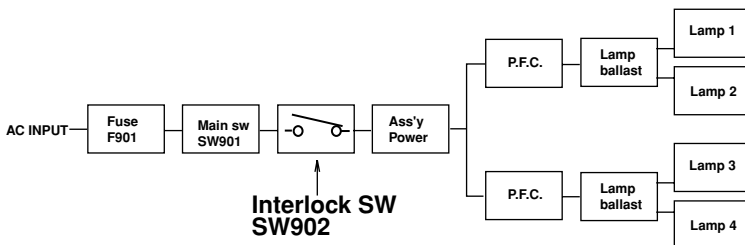
MJ6A

☐ Protection equipment for users

Electric shock protection. (Interlock switch)

■ The Lamp circuit (the lamp and the electrode of the lamp socket) of this projector is **not insulated** from AC line, and it is "**HOT.**" Therefore, when replacing lamp assembly, an electric shock may be received. However, the interlock switch (SW902) is designed so that it may protect from the accident.

■ This switch(SW902) insulates a lamp circuit from AC line, when cover-top is opened. (The lamp circuit changes to "**COLD.**")



The temperature monitor system is provided to prevent damage of optical components (the LCD panel and polarization film etc.) inside a projector from overheat. Two protection systems are provided. Each system operation as follows ;

----- **The temperature monitor -1: -----**

■ **To control the driving power of the cooling fans.**

The CPU checks the temperature and atmospheric pressure inside a projector. It checks a temperature using temperature sensor-IC5801 and it checks an atmospheric pressure using pressure sensor-IC886.

The CPU controls the driving power of the cooling fans so the temperature inside the projector is maintained to normal temperature.

■ **To shut down the projector.**

The CPU checks temperature of Green polarization glass (PTH901) and inhalation air(IC5801). If each part temperature reaches to abnormal temperature, the CPU will turn off a projector, and will blink TEMPERATURE WARNING indicator at intervals of 0.6 seconds. Cooling fans operate until temperature returns to normal. Indicator will stop blink, if temperature returns to normal.

J/C

----- **The temperature monitor -2 : -----**

(Temperature check of lamps.)

Temperature switches (SW 903~906) are arranged near the four lamps. Temperature switches will operate, if temperature reaches 90~100 degrees.

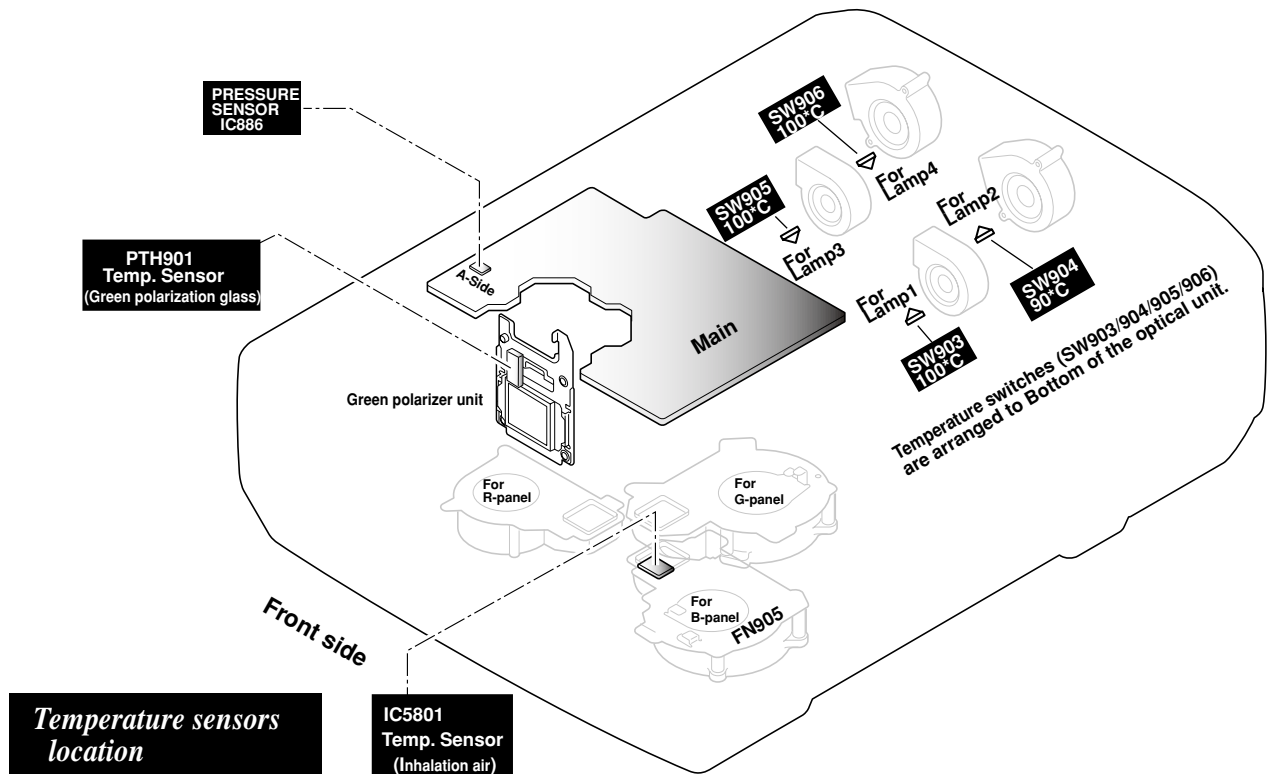
SW904 (Lamp-2) ----- It operates at 90 degrees.
 SW903/5/6 (Lamp-1/3/4) ---- It operates at 100 degrees.

When temperature switches have operated, lamp ballast units will be shut down, then a projector will be turned off.

Note.

The CPU does not check operation of temperature switches. Therefore, when temperature switches have operated and a projector has shut down, TEMPERATURE-WARNING indicator does not blink.

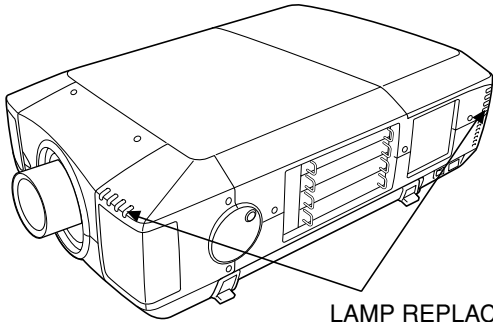
J/C



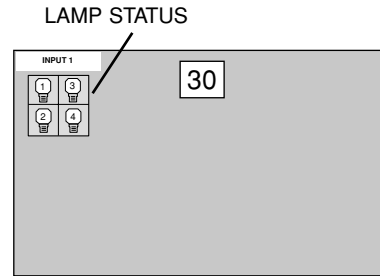
LAMP REPLACEMENT

Before Replacement

This Projector is equipped with 4 Projection Lamps to ensure brighter image and those lamps are controlled by Lamp Management Function. Lamp Management Function detects status of all lamps and shows status on screen or on LAMP REPLACE indicator. This function also automatically controls Lamp Mode when any of lamps is out for end of life or malfunctions.



LAMP REPLACE INDICATOR

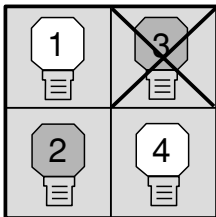


Lamp Replace Indicator

This LAMP REPLACE indicator lights yellow when any of Projection Lamps is nearing its end, and flashes when any of them becomes out. Check number of lamp on Lamp Status Display and replace lamp.

Lamp Status Display

Lamp Status Display appears on screen when power switch is on or changed input position (input 1, input 2, Input 3 or input 4). This shows status of each lamp as; ON, OFF, NEAR END, or OUT. Refer to following for each status.



LAMP STATUS DISPLAY

Yellow Lamp ----- Projection Lamp lights normally.

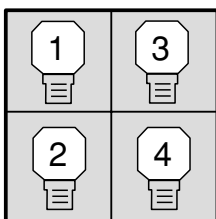
Dim Lamp ----- Projection Lamp is turned off.

Red Lamp ----- Projection Lamp is nearing its end. When image becomes darker or color becomes unnatural, replace lamp. (LAMP REPLACE indicator lights yellow.)

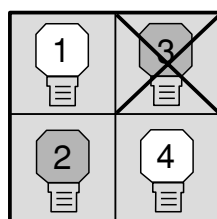
X Mark on Lamp ----- (LAMP REPLACE indicator flashes yellow.)
Projection lamp is defective or fails to be turned on. Restart a projector on, and make sure lamp is on. If this mark still appears, replace lamp corresponding with number marked X.

Lamp Mode Changeover

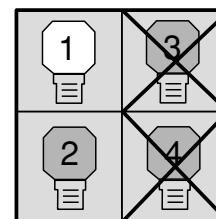
Lamp Management Function automatically changes combination of lighting lamp (Lamp Mode) by detecting status of lamp. When any of 4 lamps becomes out, Lamp Mode is changed over from 4 lamps to 2 lamps. And when any of 2 lamps are out, a projector operates with 1 lamp. Lamp Mode can be switched to 4 lamps or 2 lamps manually. Refer to SETTING section on page 40, 41 of Owner's manual.



4 LAMP MODE



2 LAMP MODE
(Example)



1 LAMP MODE
(Example)

LAMP REPLACEMENT



CAUTION

For continued safety, replace with a lamp assembly of same type. Allow a projector to cool for at least 45 minutes before you open Lamp Cover. Inside of a projector can become very hot.



CAUTION

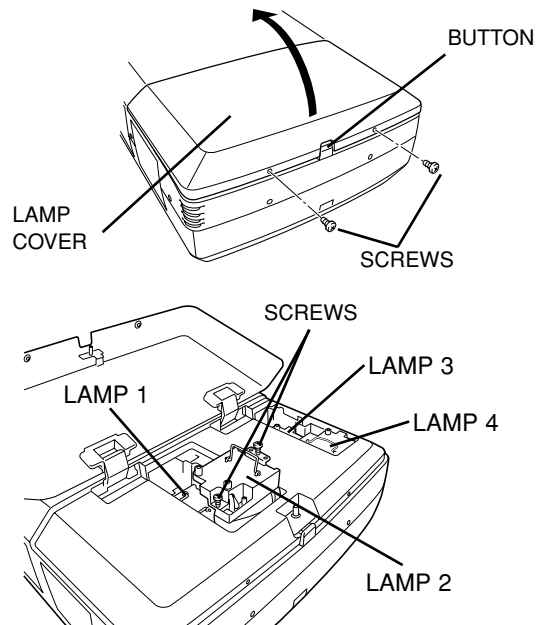
Do not drop a lamp assembly or touch a glass bulb! Glass can shatter and may cause injury.



Follow these steps to replace lamp assembly.

- 1** Check number of lamp to be replaced on Lamp Status Display.
- 2** Turn off a projector and disconnect AC Power Cord. Allow a projector to cool down for at least 45 minutes.
- 3** Remove two screws on Lamp Cover and press button to open Lamp Cover. (See right figure.)
- 4** Loosen two screws and pull out Lamp Assembly to be replaced by grasping handle.
- 5** Replace Lamp Assembly with a new one and tighten two screws. Make sure Lamp is set properly
- 6** Replace Lamp Cover and tighten two screws.
- 7** Connect AC Power Cord to a projector and turn a projector on.
- 8** Reset Lamp Replacement Counter. (Refer to section "Lamp Counter Reset".)

NOTE : Do not reset LAMP REPLACEMENT COUNTER when lamp is not replaced.



Make sure which number of lamp needs to be replaced on Lamp Status Display. Figure shows case of replacing LAMP 2.

CAUTION : DO NOT OPERATE A PROJECTOR WHILE ANY OF LAMPS IS REMOVED. IT MAY RESULT IN MALFUNCTIONS, FIRE HAZARD, OR OTHER ACCIDENTS.

NOTES ON LAMP REPLACEMENT

To maintain quality of picture (better balance of color and brightness in entire screen), we recommend replacing all 2 lamps at a time.

ORDER REPLACEMENT LAMP

- Replacement Lamp type No. : **POA-LMP42**
- Lamp service part No. : **610 292 4831**



Lamp counter reset

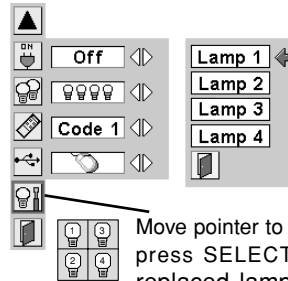
Be sure to reset Lamp Counter when Lamp Assembly is replaced. When Lamp Replace Counter is reset, LAMP REPLACE indicator stops lighting.

- 1 Turn projector on, press MENU button and ON-SCREEN MENU will appear. Press POINT LEFT/RIGHT button(s) to move a red frame pointer to SETTING Menu icon.
- 2 Press POINT DOWN button to move a red frame pointer to "Lamp counter reset" and then press SELECT button.
- 3 Move arrow to replaced lamp number (Lamp 1, Lamp 2, Lamp 3 or Lamp 4) and then press SELECT button. Message "Lamp replace counter Reset?" is displayed. Move pointer to [Yes] and then press SELECT button.

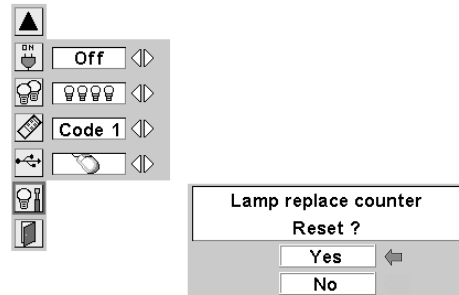
NOTE: Be sure to reset correct lamp number otherwise LAMP REPLACE indicator continues lighting.

- 4 Another confirmation dialog box appears and select [Yes] to reset Lamp Replace Counter.

Do not reset Lamp Replace Counter except after Projection lamp is replaced.

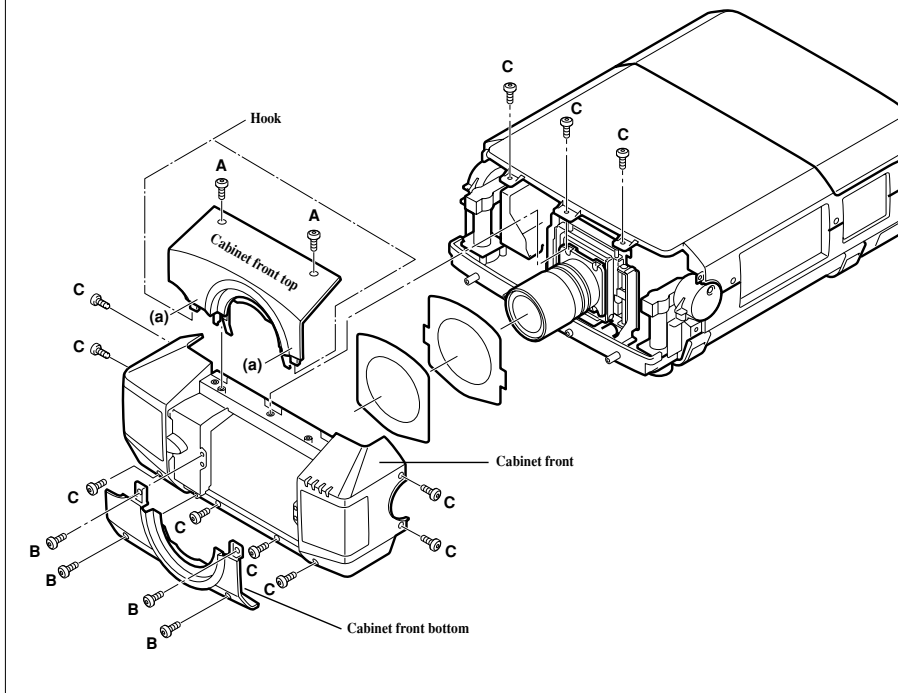


Move pointer to Lamp counter reset and then press SELECT button. Move arrow to replaced lamp number (Lamp 1, Lamp 2, Lamp 3 or Lamp 4) and then press SELECT button.



Message "Lamp replace counter Reset?" is displayed. Move pointer to [Yes] and then press SELECT button.

Mechanical disassemblies

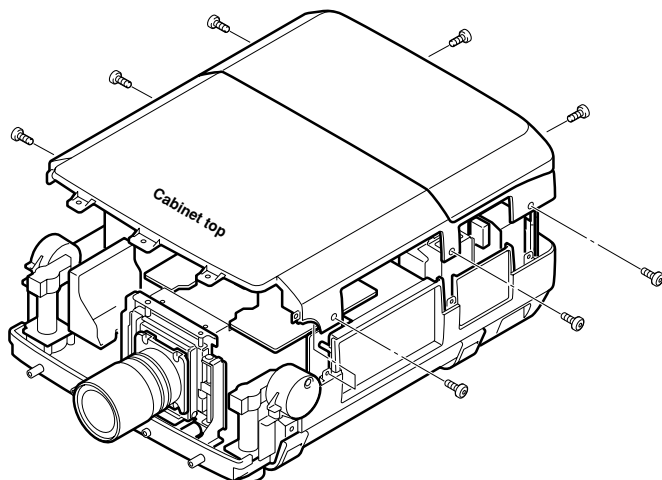


1. Cabinet-front-top, Cabinet-front-bottom and Cabinet-front removal.

Note :

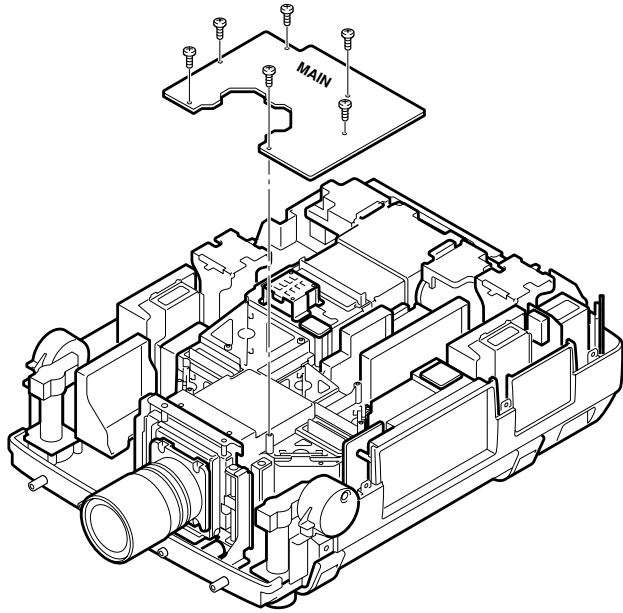
Be careful not to damage Hook. The cabinet-front-top is being fixed with cabinet-front-bottom by hook.

1. Remove 2 screws-A. Push part(a) and pull the Cabinet-front-top up.
2. Remove 4 screws-B and remove the Cabinet front-bottom.
3. Remove 11 screws-C and remove the Cabinet front.



2. Cabinet-top removal.

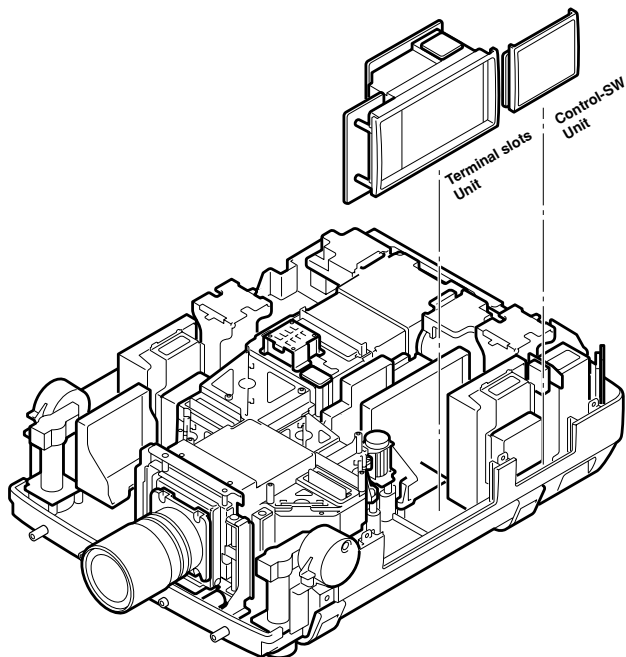
Remove 8 screws and remove the Cabinet top.



3. *Assembly Main removal.*

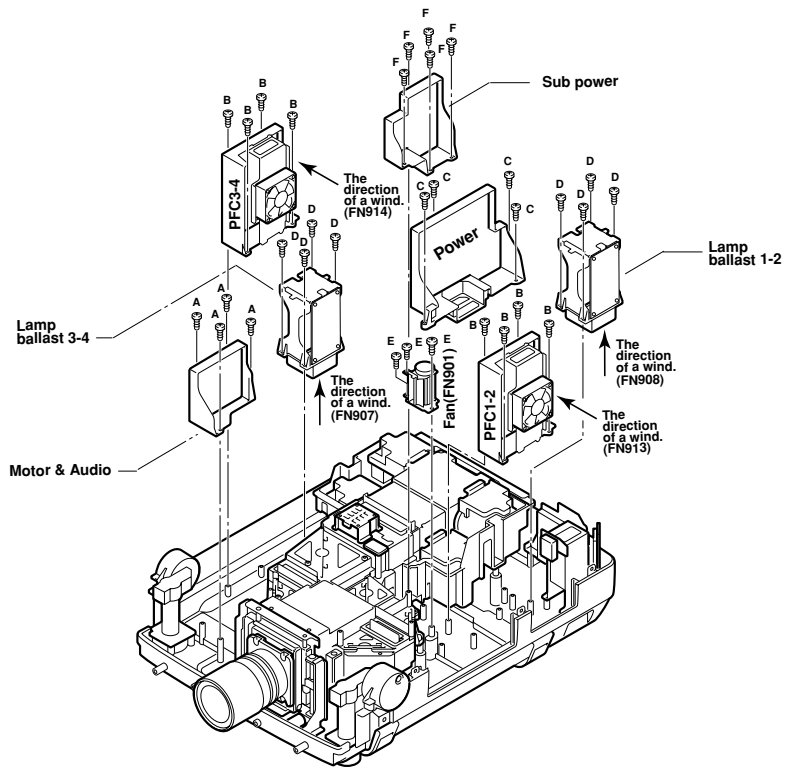
Remove the connectors and the flexible cables of the LCD panels from the assembly Main. (*Never touch the electrode of flexible cables.*)

Remove 6 screws and remove the assembly main.



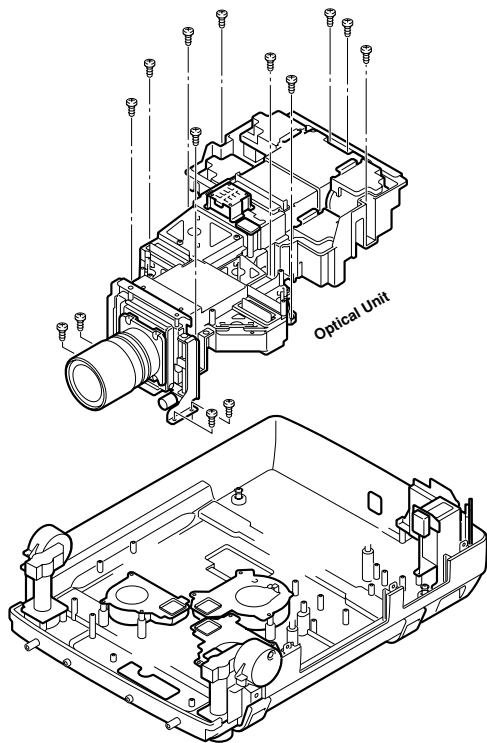
4. *Control-switch-unit and Terminal-slots-unit removal.*

1. Remove the control-switch-unit upward.
2. Remove the Terminal-slots-unit upward.



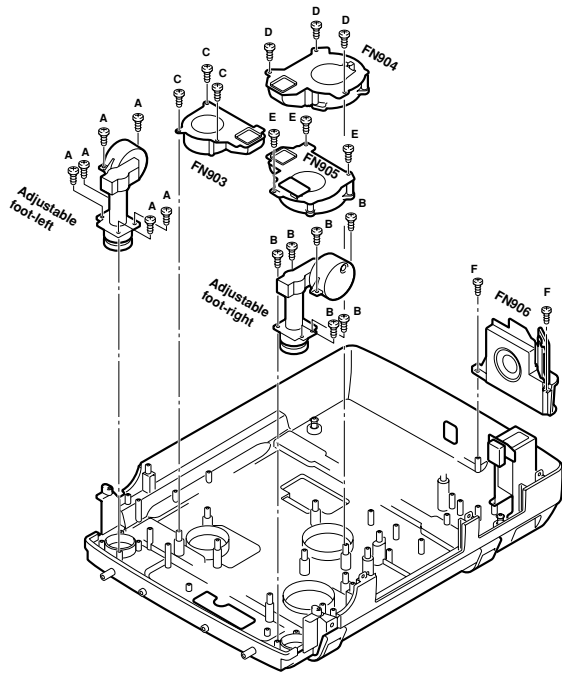
5. Assemblies PFC, assembly power, assembly sub-power, assemblies lamp-ballast, assembly Motor & Audio and Fan(FN901) removal.

1. Remove 4 screws-A and remove the assembly motor & audio.
2. Remove 8 screws-B and remove the assembly PFC1-2 and assembly PFC3-4.
3. Remove 4 screws-C and remove the assembly power.
4. Remove 8 screws-D and remove the assembly Lamp-ballast1-2 and assembly Lamp-ballast3-4.
5. Remove 3 screws-E and remove the Fan(FN901).
6. Remove 5 screws-F and remove the assembly sub-power.



6. Optical unit removal.

Remove 14 screws and remove the Optical unit upward.

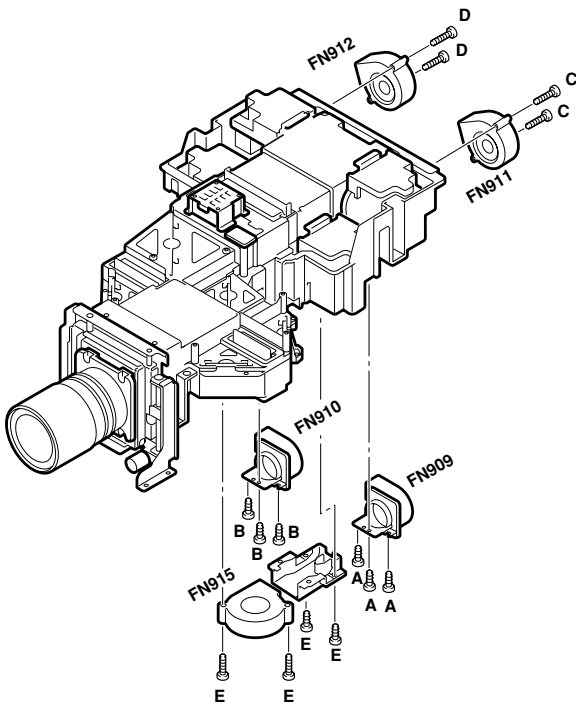


7. Fans(FN903, FN904, FN905, FN906), and Adjustable-feet removal.

NOTE :

Mark the Fans as they are removed from the cabinet bottom so that they may be reassembled in the same location from which they were removed.

1. Remove 6 screws-A and remove the adjustable-foot-left.
2. Remove 6 screws-B and remove the adjustable-foot-right.
3. Remove 3 screws-C and remove the Fan(FN903).
4. Remove 3 screws-D and remove the Fan(FN904).
5. Remove 3 screws-E and remove the Fan(FN905).
6. Remove 2 screws-F and remove the Fan(FN906).



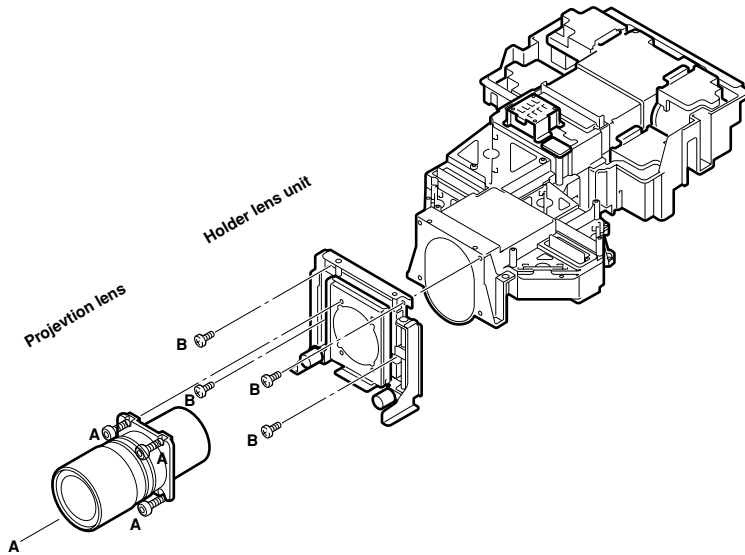
8. Fans(FN909, FN910, FN911, FN912 and FN915) removal.

NOTE :

Mark the Fans as they are removed from the optical unit so that they may be reassembled in the same location from which they were removed.

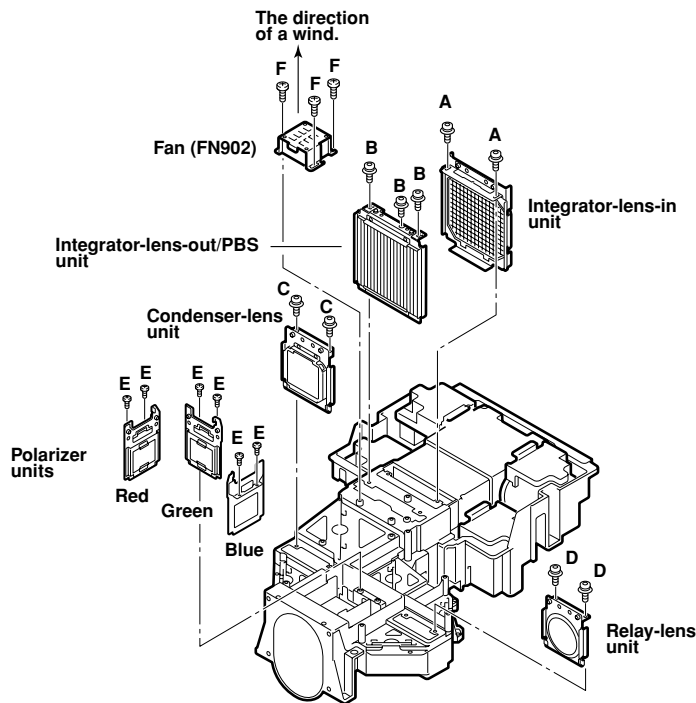
1. Remove 3 screws-A and remove the Fan(FN909).
2. Remove 3 screws-B and remove the Fan(FN910).
3. Remove 2 screws-C and remove the Fan(FN911).
4. Remove 2 screws-D and remove the Fan(FN912).
5. Remove 4 screws-E and remove the Fan(FN915).

Optical unit disassemblies



1. Projection lens and Holder-lens unit removal.

1. Turn 4 screws-A and remove the Projection lens.
2. Remove 4 screws-B and remove the Holder-lens unit.

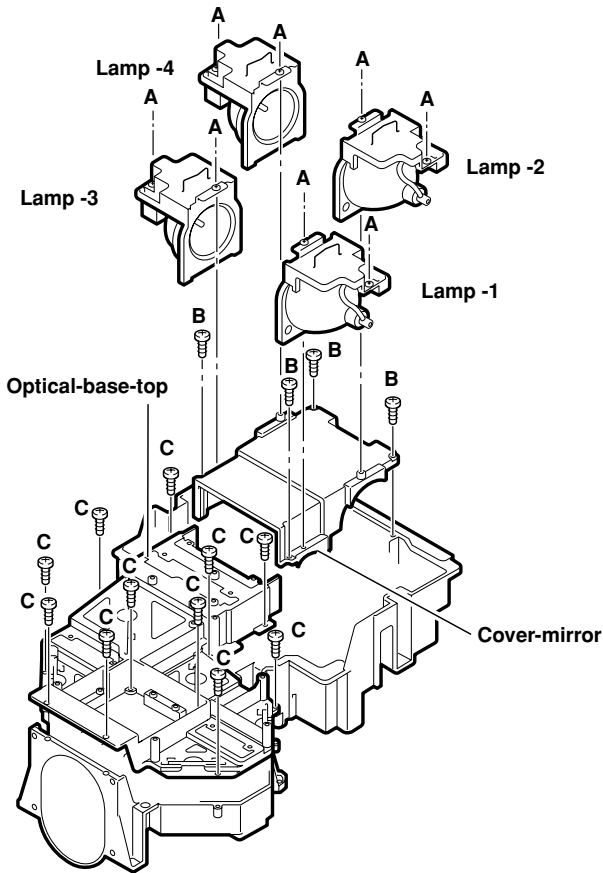


2. Integrator-lens-in unit, Integrator-lens-out/PBS unit, Condenser-lens unit, Relay-lens unit, Polarizer units and Fan(FN902) removal.

Note :

- (1) Each polarizer unit uses different characteristic polarization glasses. Mark the polarizer units as they are removed from the optical unit so that they may be reassembled in the same location from which they were removed.
- (2) Be careful of the attachment direction of Fan(FN902). See arrow mark in a figure.

1. Remove 2 screws A and remove the Integrator lens in unit.
2. Remove 3 screws B and remove the Integrator lens out & PBS unit.
3. Remove 2 screws C and remove the Condenser lens unit.
4. Remove 2 screws D and remove the Relay lens unit.
5. Remove 6 screws E and remove the 3 Polarizer units.
6. Remove 3 screws F and remove the Fan(FN902) upward.

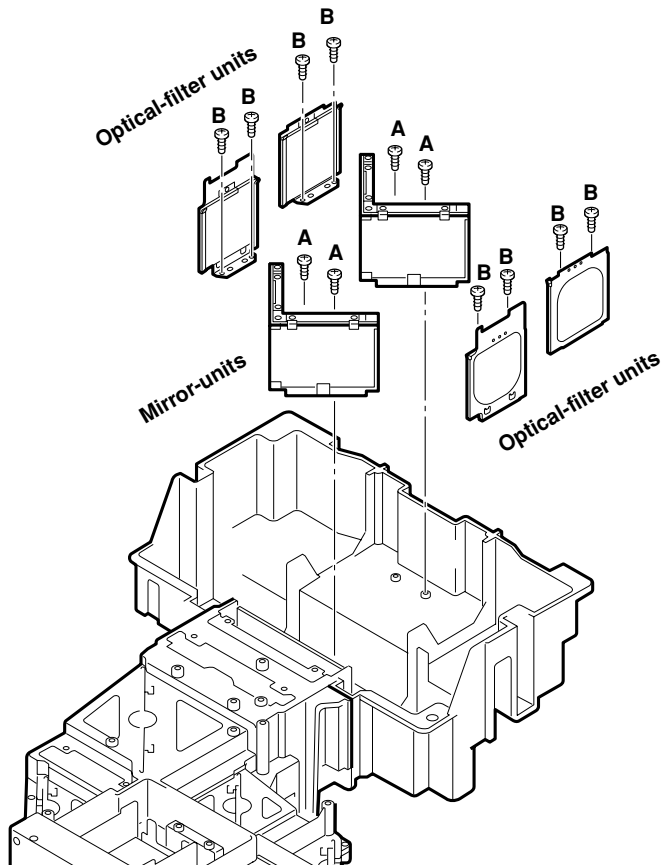


3. Assembles lamp, cover mirror and optical base top removal.

Note :

The characteristics and ages of lamps are managed by CPU. Mark the lamp assemblies as they are removed from the optical unit so that they may be reassembled in the same location from which they were removed.

1. Turn 8 screws A and remove the 4 Lamp assemblies.
2. Remove 4 screws B and remove the Cover mirror.
3. Remove 11 screws C and remove the Optical base top.



4. Optical filter units and Mirror units removal.

Note :

Each optical filter unit uses different characteristic optical filter glasses. Mark the optical filter units as they are removed from the optical unit so that they may be reassembled in the same location from which they were removed

1. Remove 4 screws A and remove the 2 mirror units.
2. Remove 8 screws B and remove the 4 optical filter units.

5. Prism / LCD panel assembly removal.

Note :

Prism / LCD panel assembly is a precision part. be sure to handle this part with special attention. Do not drop it or give it excessive force. It may damage the parts and alignment.

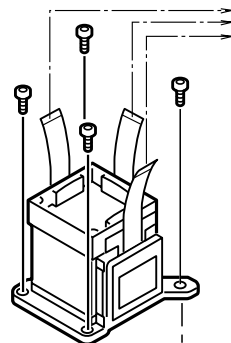
Remove 4 screws and remove the prism / LCD panel assembly.

At the time, be careful not to damage the prism / LCD panel assembly with the driver.

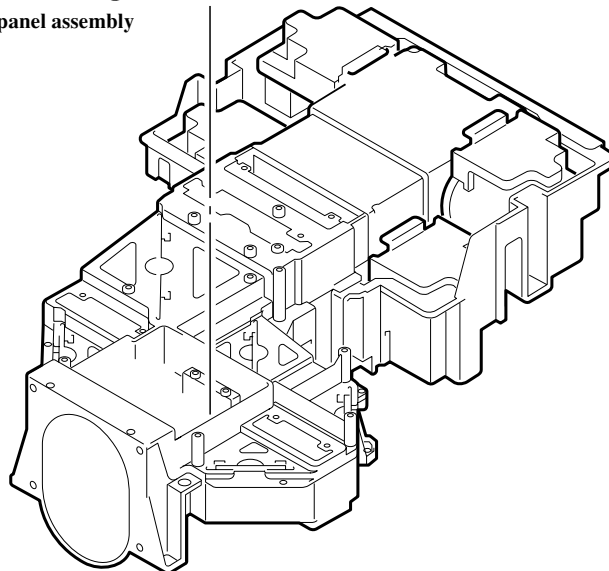


Caution :

- (1). Never touch the LCD panel and prism part directly with hand. Otherwise the optical parts may get dirty.
- (2). Since the LCD panel is equipped with CMOS-LSI, pay attention to static electricity.
And never touch the electrode of flexible cables.
- (3). Don't disassemble prism / LCD panel assembly, otherwise it can be damaged.



Prism / LCD panel assembly

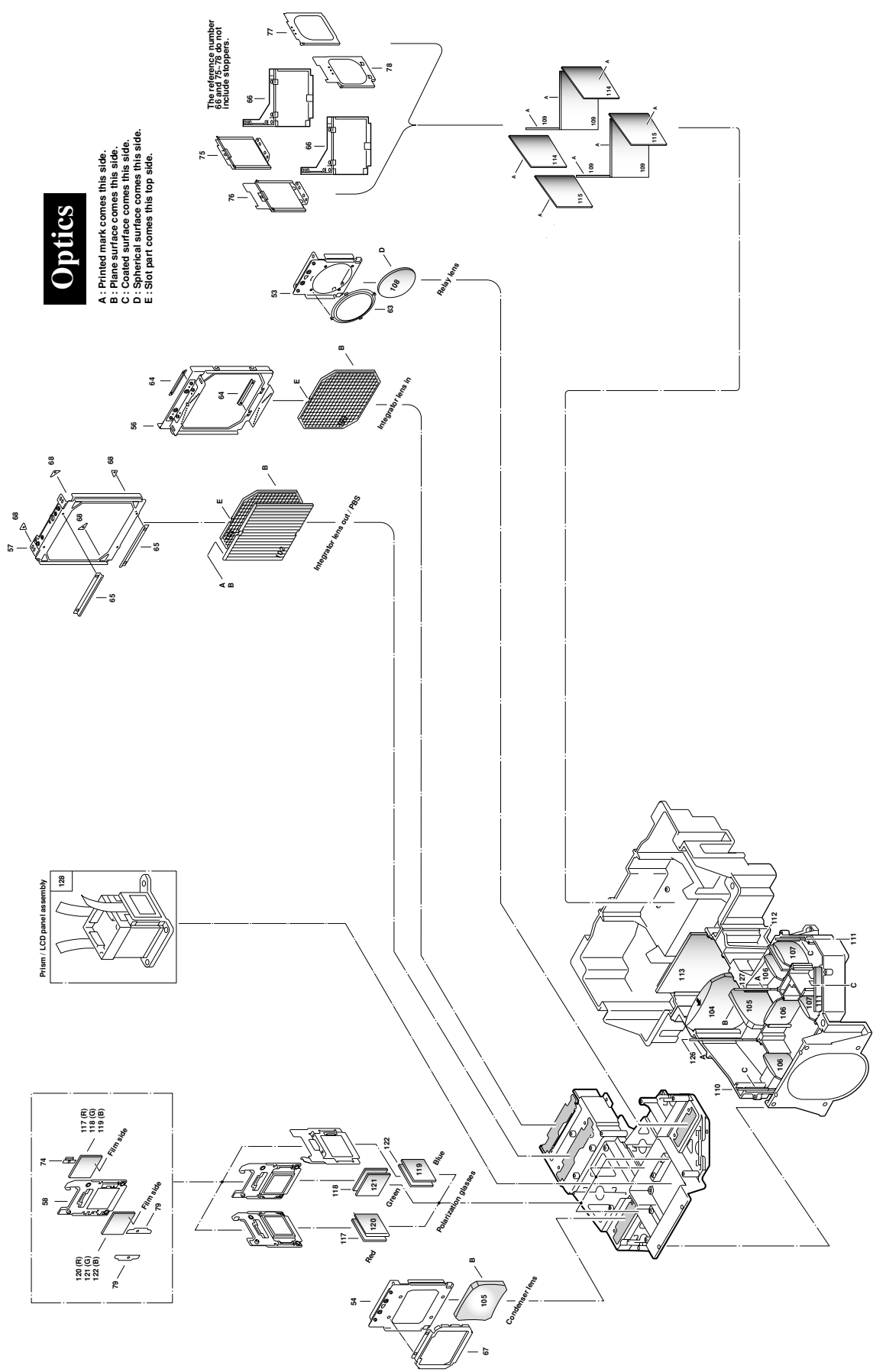


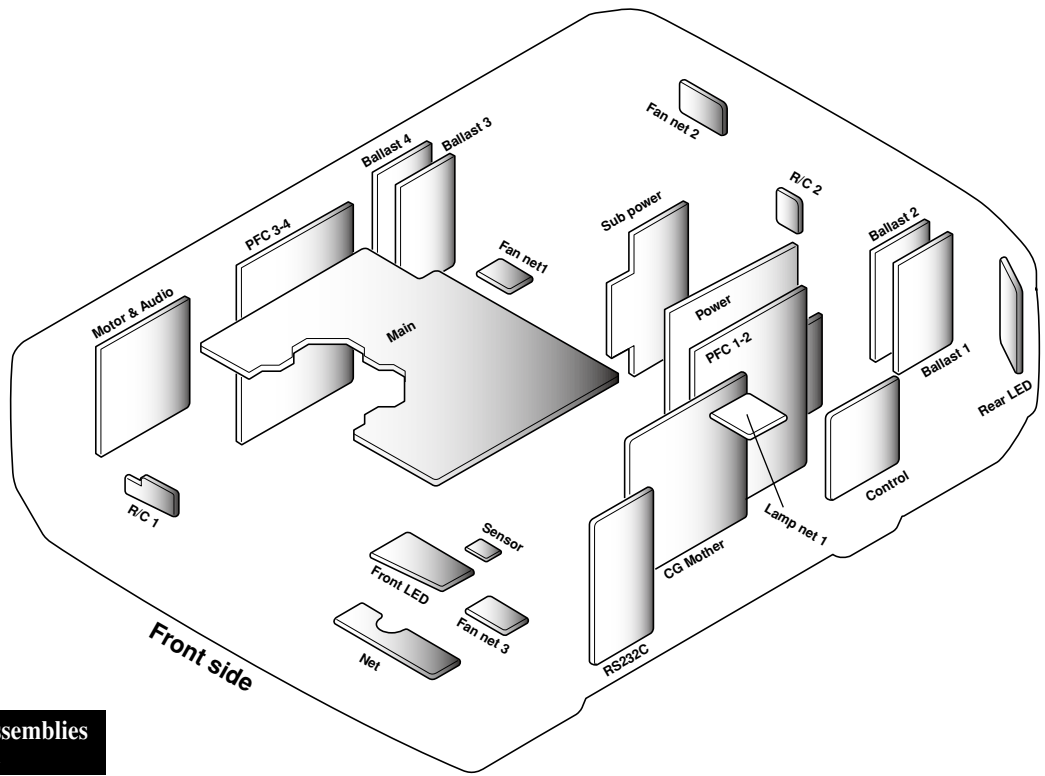
Optical parts location --- The optical parts name(description) can see it on parts-list(page-66).

Optics

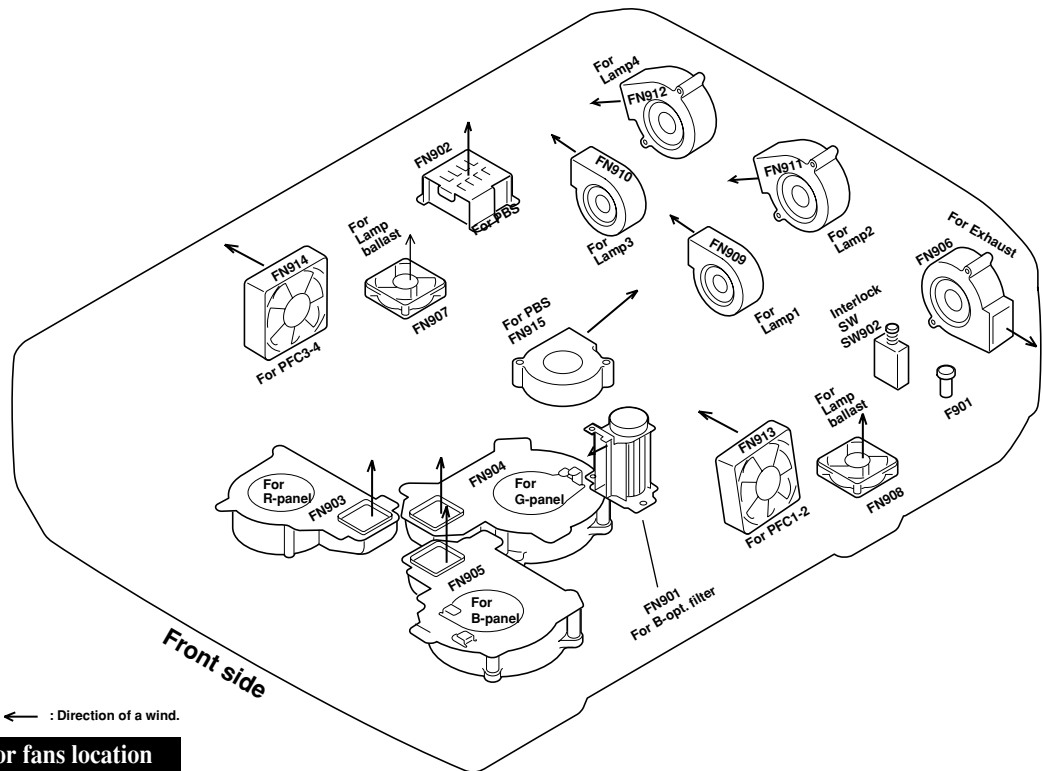
- A : Printed mark comes this side.
- B : Plane surface comes this side.
- C : Coated surface comes this side.
- D : Spherical surface comes this side.
- E : Slot part comes this top side.

The reference number 66 and 75-78 do not include stoppers.





PWB assemblies location



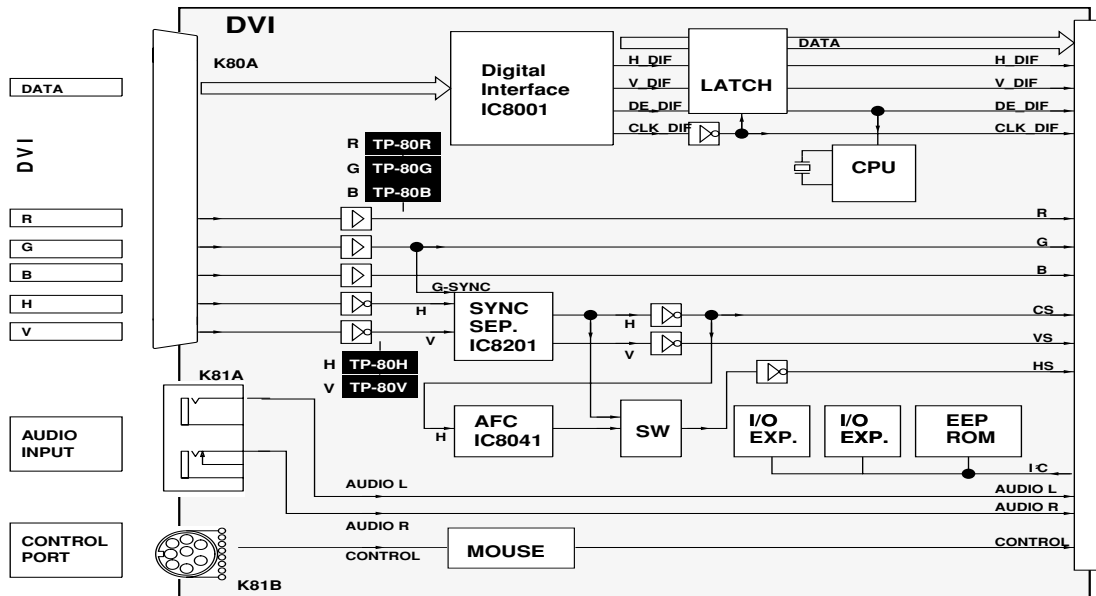
Motor fans location

NO PICTURE -2

Troubleshooting

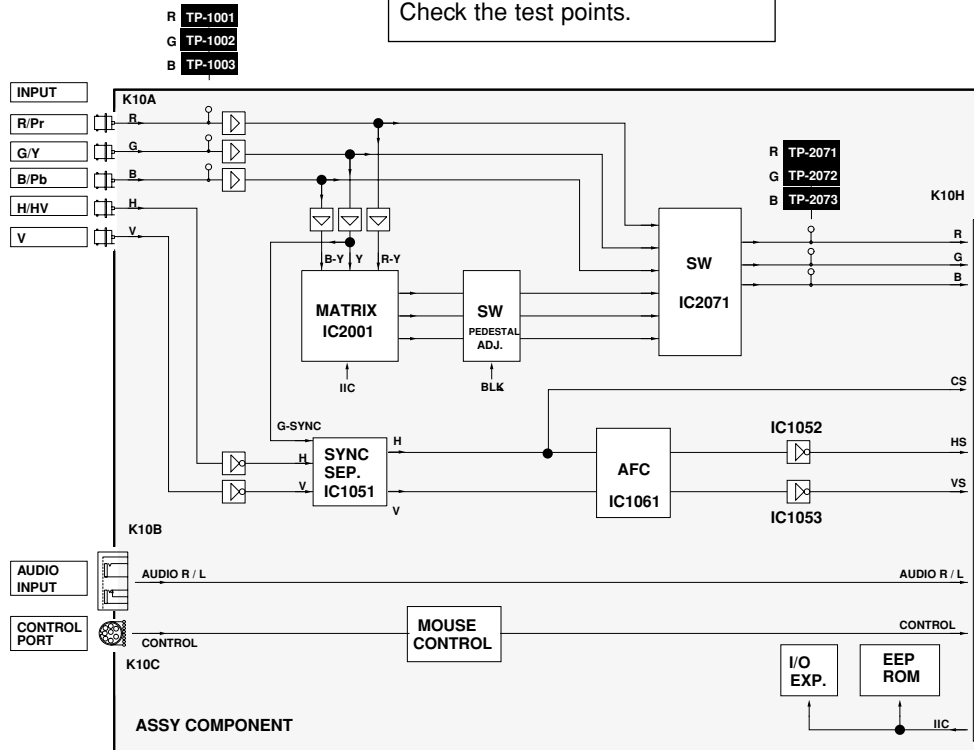
Check the terminal board-DVI.

Check the Vcc voltages.
 S9V / -5V / S6V (Always)
 9V / 5VB (Switched)
 Check the test points.



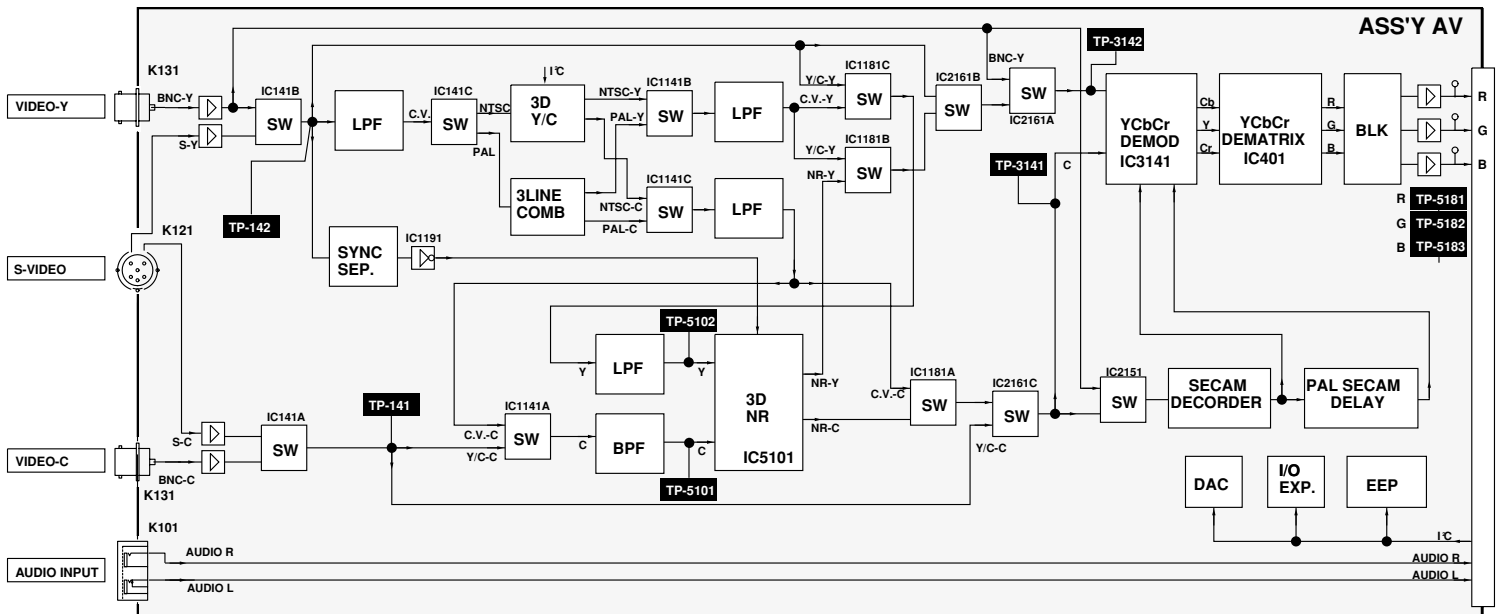
Check the terminal board-COMPONENT.

Check the Vcc voltages.
 S9V / -5V / S6V (Always)
 9V / 5VB (Switched)
 Check the test points.



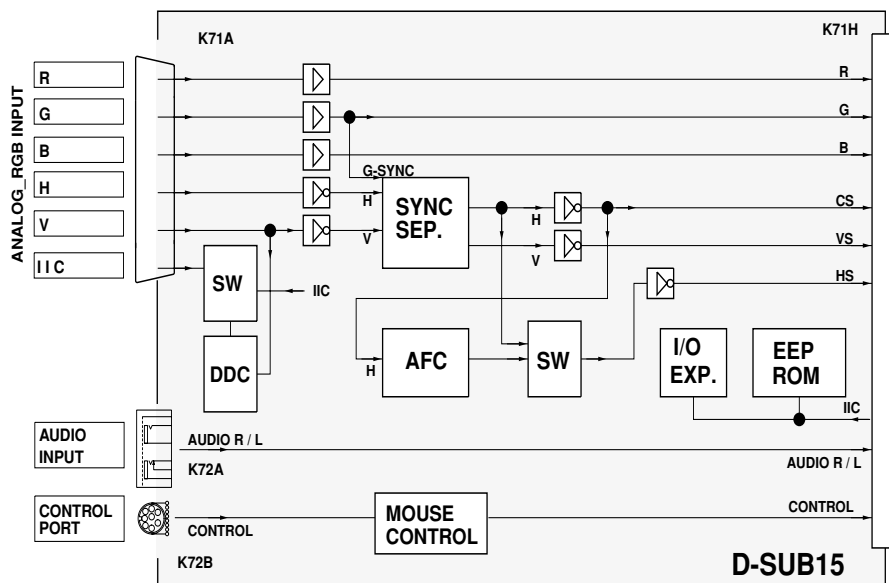
Check the terminal board-AV.

Check the Vcc voltages.
 S9V / -5V / S6V (Always)
 9V / 5VB (Switched)
 Check the test points.

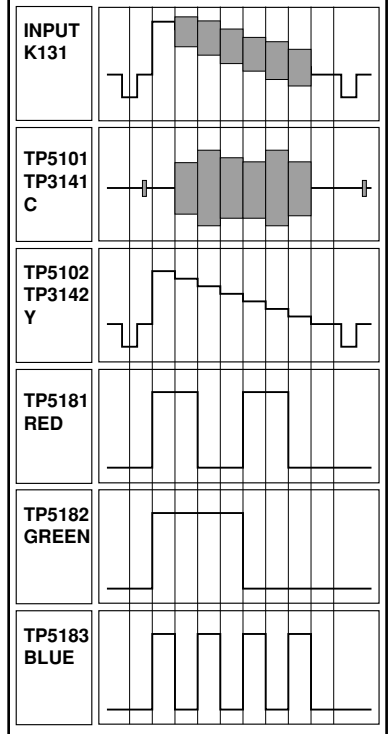


Check the terminal board-DSUB15.

Check the Vcc voltages.
 S9V / -5V / S6V (Always)
 9V / 5VB (Switched)
 Terminal board DSUB15 does not exist in some particular models.



Timing Chart



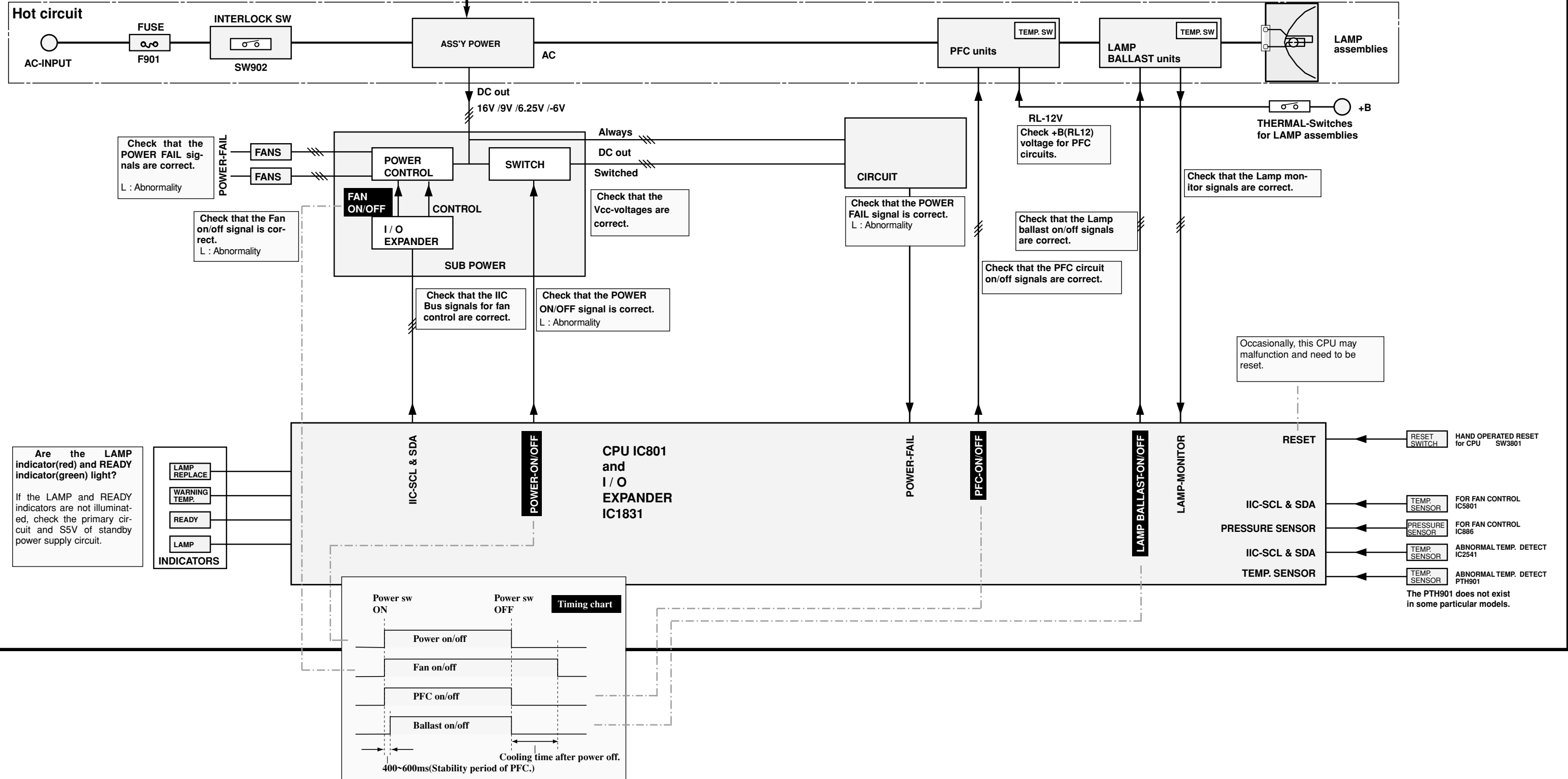
*** NO POWER -1** Troubleshooting

Is fuse (F901) blown?
Fuse may be opened when either the LAMP indicator or the READY indicator isn't illuminated. Check the fuse. For continued safety, replace it with a new fuse of the same type

Isn't the lamp cover of a projector removed?
When it is removed, the projector cannot be turned on.

Is the lamp cover attached correctly? And has not the boss(inner side of the lamp cover) broken?
Check the boss and the Interlock switch (SW902). SW902--open: Abnormality

Refer to next page but one



* NO POWER-2

Troubleshooting

Check the switching regulator.

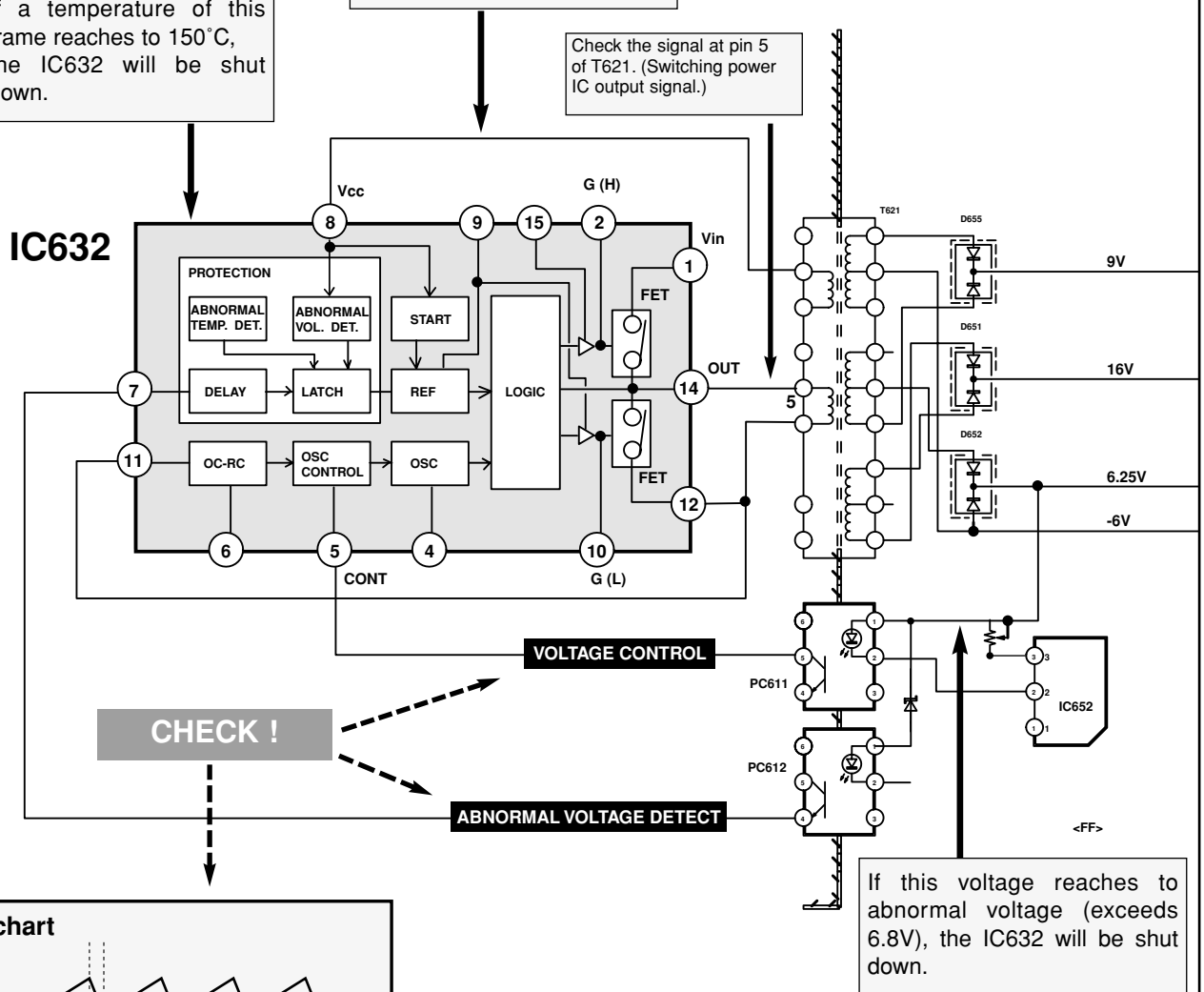
STR-Z2156
Switching regulator

Caution : "HOT" Circuit !

If a temperature of this frame reaches to 150°C, the IC632 will be shut down.

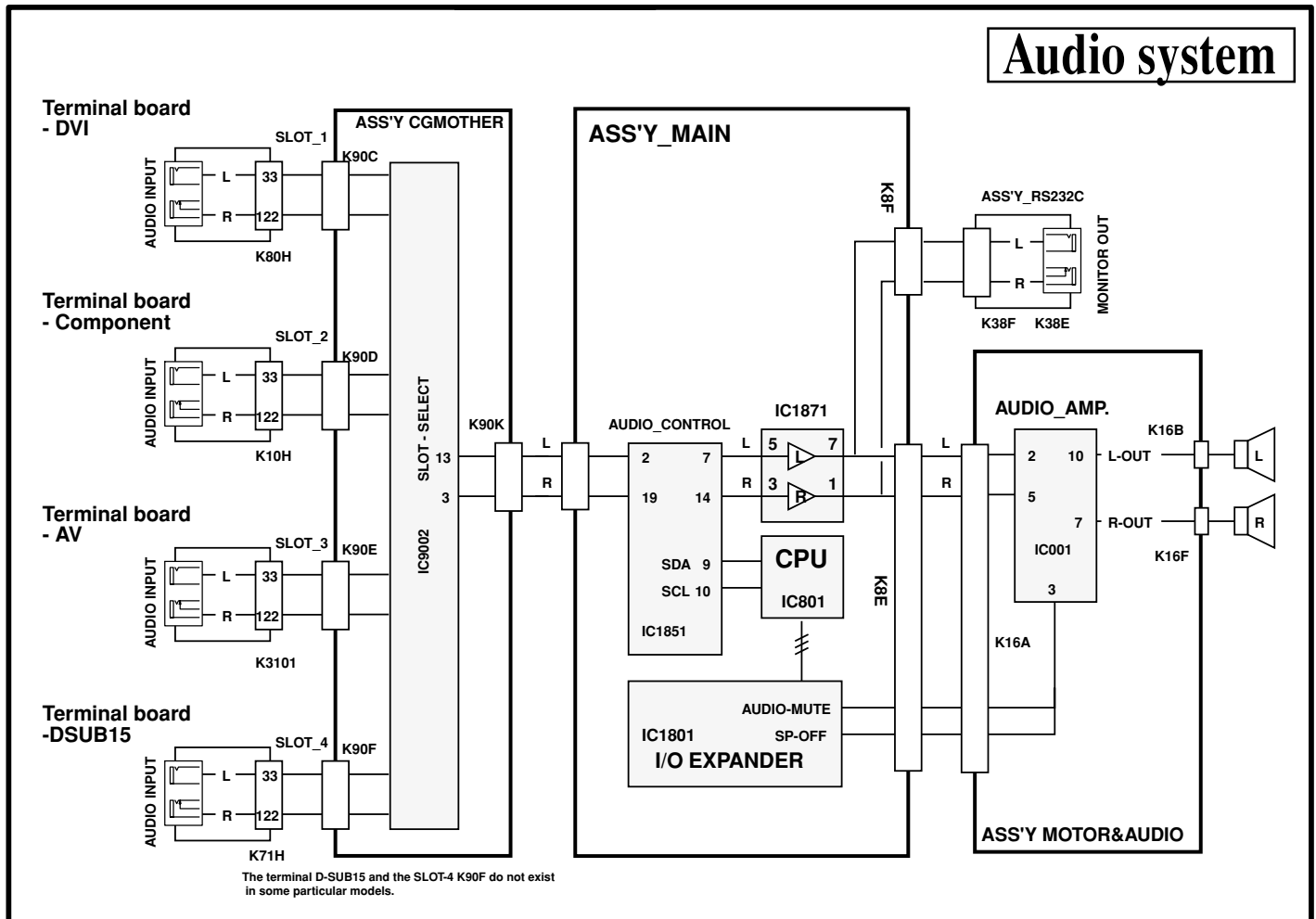
If this Vcc voltage reaches to abnormal voltage (exceeds 22V), the IC632 will be shut down.

Check the signal at pin 5 of T621. (Switching power IC output signal.)



No sound

Troubleshooting



Terminal board DVI, Component, AV and D-SUB15.

1. Check that the R and L signals are correct.
Pins 122(R) and 33(L).
K80H, K10H, K3101 and K71H.
- Terminal board DSUB15 does not exist in some particular models.

assembly CG-Mother

1. Check that the R and L signals are correct.
Pins 3(R) and 13(L) of IC9002.

Assembly Main

1. Check that the Vcc-voltages are correct.
2. Check that the R and L input signals are correct.
Pins 2 and 19 of IC1851
3. Check that the IC1851 output signals are correct.
Pins 7(L) and 14(R).
4. Check that the audio output signals are correct.
Pins 7(L) and 1(R) of IC1871.
5. Check that the AUDIO MUTE signal is correct.
6. Check that the SP-OFF signal is correct.
7. Check that the SDA-signal is correct. Pin 9 of IC1851.
8. Check that the SCL-signal is correct. Pin 10 of IC1851.

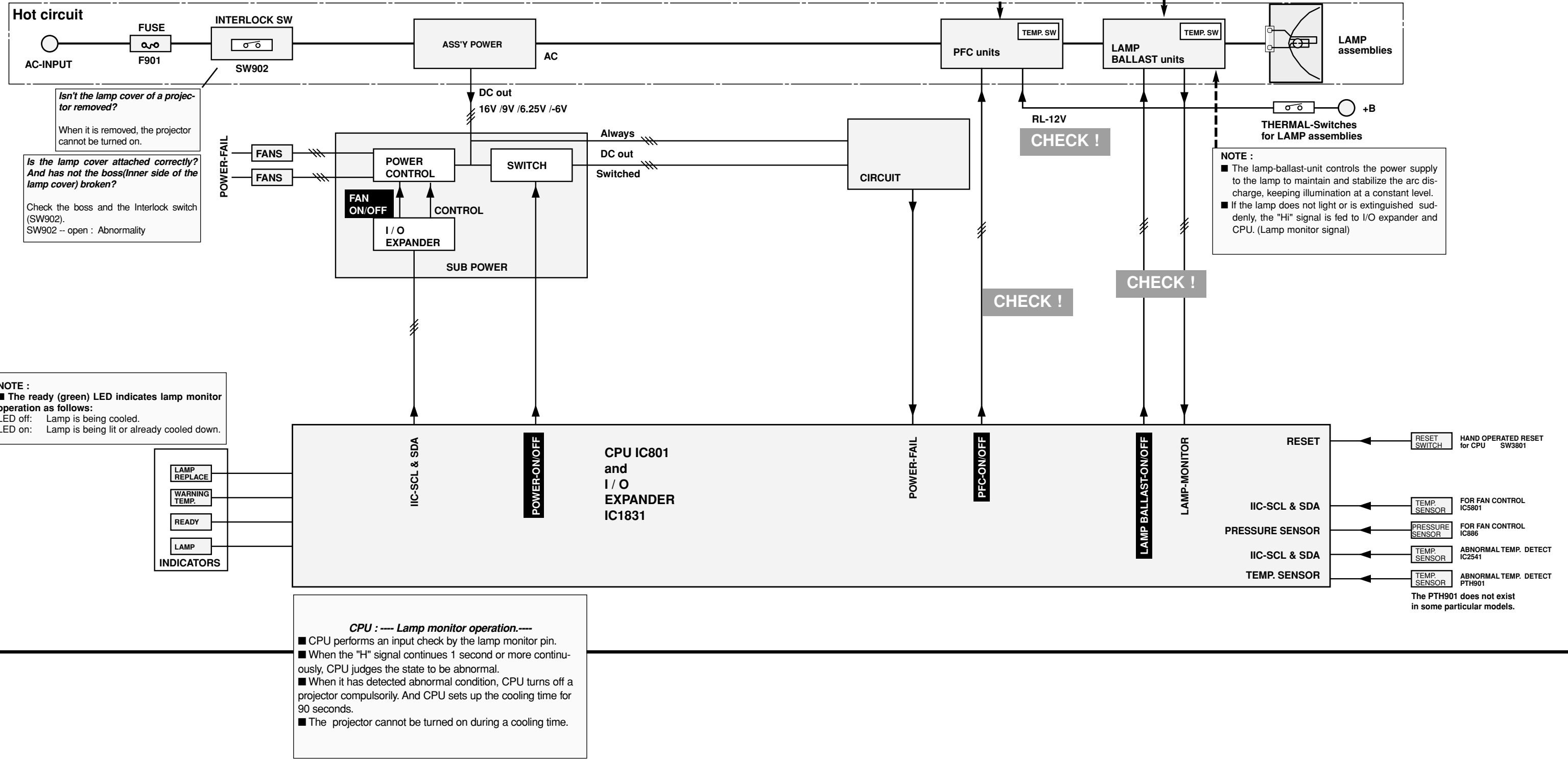
Assembly Motor audio

1. Check that the Vcc-voltages are correct.
2. Check that the R and L input signals are correct.
Pins 2(R) and 5(L) of IC001
3. Check that the AUDIO MUTE signal is correct.
4. Check that the SP-OFF signal is correct.
5. Check that the IC001 output signals are correct.
Pins 10(L) and 7(R).

LAMP ABNORMALITY -1

NOTE :

- The lamp emits light through arc discharge. To initiate arc discharge, dielectric breakdown must occur between the lamp electrodes. The high-voltage pulse generator generates and applies high-voltage pulses with peak values of about 20kV between the lamp electrodes in order to generate glow discharge. This in turn results in dielectric breakdown between the electrodes, causing a shift from glow discharge to arc discharge.
- After projector turned on, 30 seconds are required until the light output stabilizes. After the projector is turned off, the cooling fan operates for 90 seconds to cool down the lamp and reduce gas pressure inside the lamp. During this "cooling down" period, the projector cannot be turned on.



LAMP ABNORMALITY -2

Troubleshooting

Check the unit P.F.C..

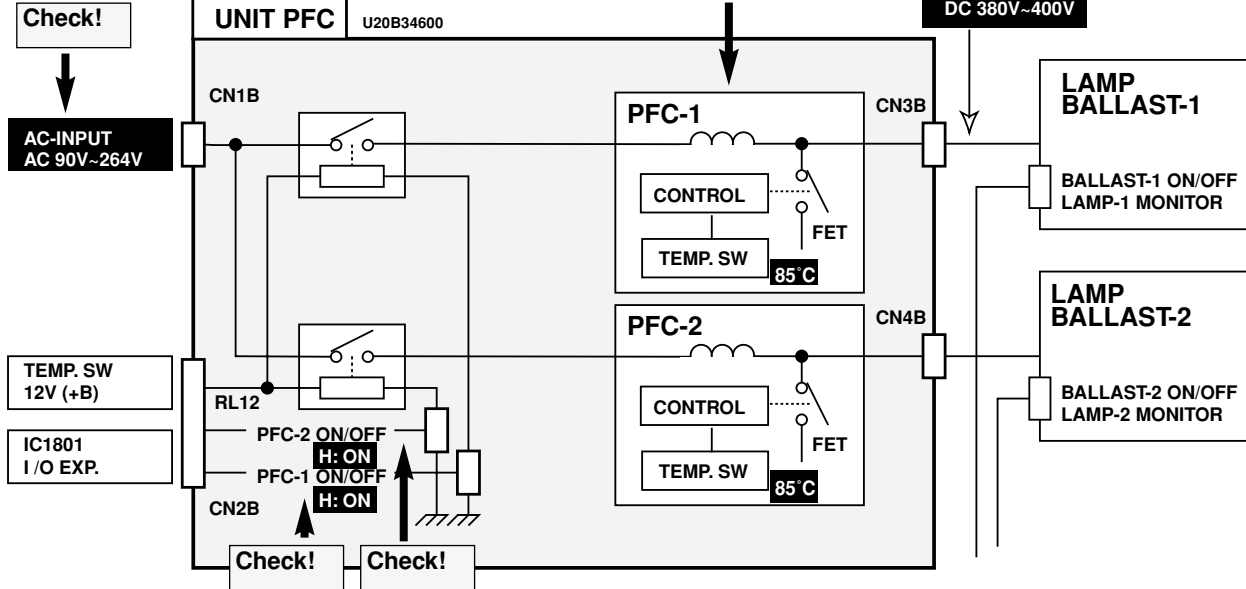
Caution : "HOT" Circuit !

Has not the temperature switch operated?

If the temperature around FET reaches 85 degrees, the PFC circuit will be shut down.

Check!

OUTPUT
DC 380V~400V

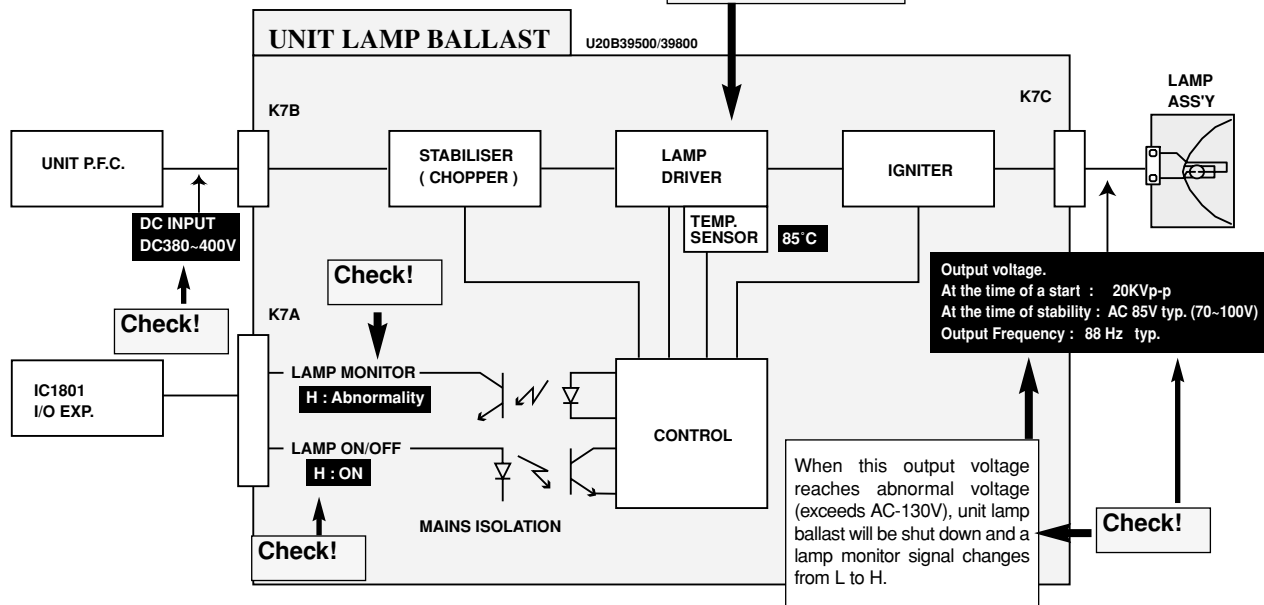


Check the unit lamp Ballast.

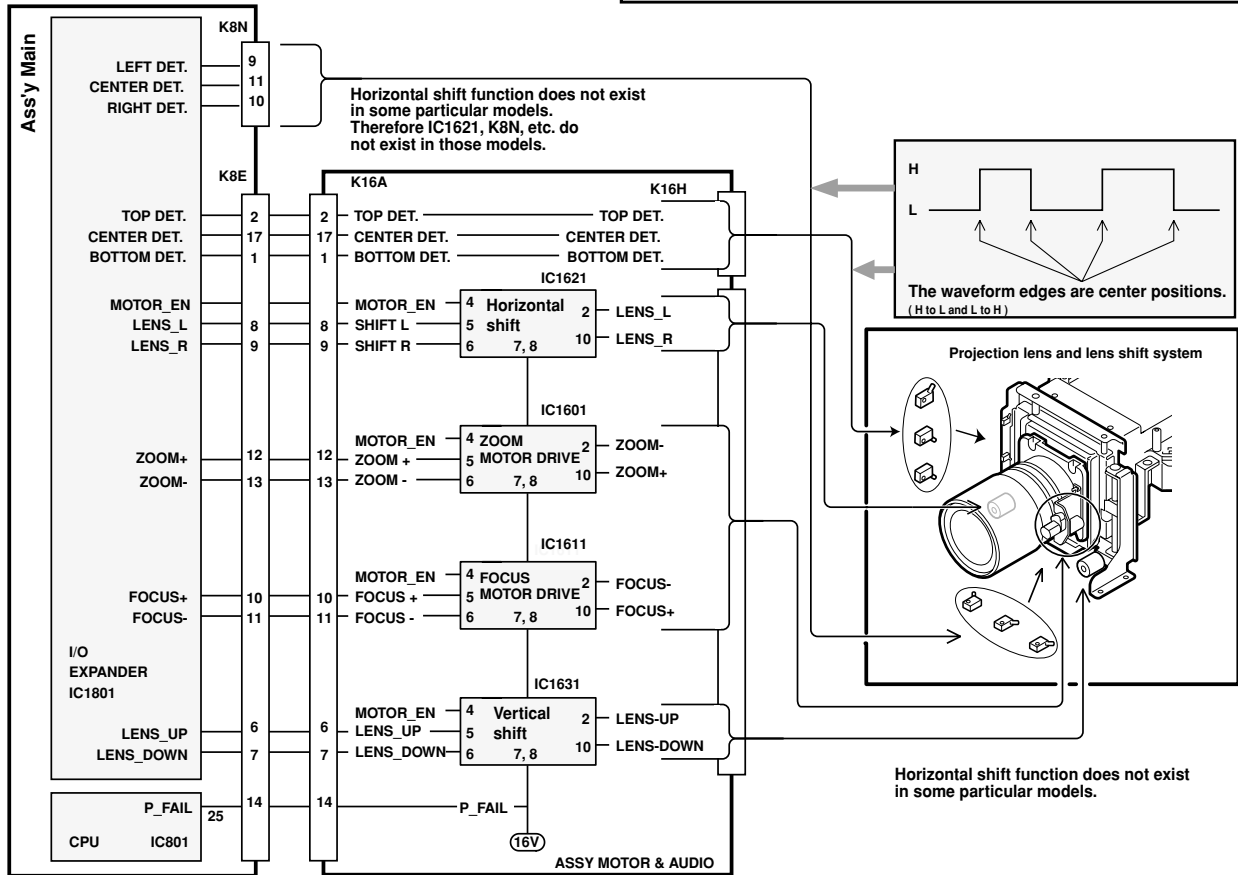
Caution : "HOT" Circuit !

When the temperature around a lamp driver reaches 85 degrees, unit lamp ballast will be shut down and a lamp monitor signal changes to H from L.

Check!



Motor-driven lens system. (Zoom, Focus and lens shift.)

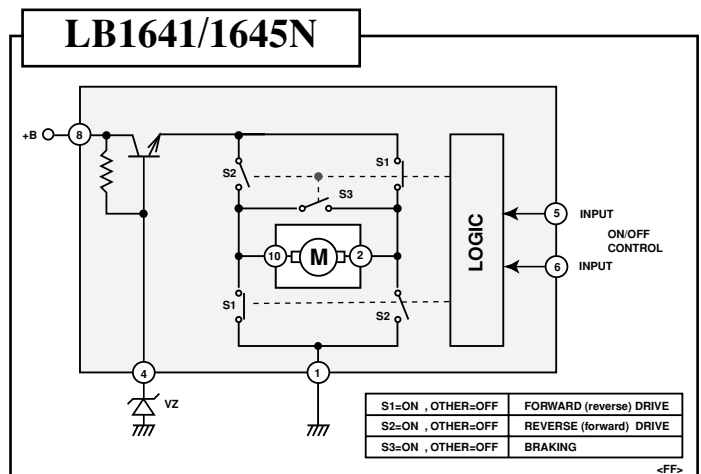


- Assembly Main**
1. Check that the Vcc-voltages are correct.
 2. Check that the POWER FAIL signal is correct.
Pin125 of IC801 H: Normal
 3. Check that the LENS SHIFT up and down signals are correct.
Pins 6 and 7 of K8E
 4. Check that the LENS SHIFT left and right signals are correct.
Pins 8 and 9 of K8E
 5. Check that the FOCUS up and down signals are correct.
Pins 10 and 11 of K8E
 6. Check that the ZOOM up and down signals are correct.
Pins 12 and 13 of K8E
 7. Check that the TOP DET. signal is correct.
Pin 2 of K8E L: TOP
 8. Check that the BOTTOM DET. signal is correct.
Pin 1 of K8E L: BOTTOM
 9. Check that the CENTER DET. signal is correct.
Pin 17 of K8E Center position=The edge of "H to L" or "L to H."
 10. Check that the LEFT DET. signal is correct.
Pin 9 of K8N L: LEFT
 11. Check that the RIGHT DET. signal is correct.
Pin 10 of K8N L: RIGHT
 12. Check that the CENTER DET. signal is correct.
Pin 11 of K8N Center position=The edge of "H to L" or "L to H."

- Assembly Motor audio**
1. Check that the Vcc-voltages are correct.
 2. Check that the POWER FAIL signal is correct.
Pin14 of K16A. H: Normal
 3. Check that the LENS SHIFT up and down signals are correct.
Pins 5 and 6 of IC1631.
 4. Check that the LENS SHIFT left and right signals are correct.
Pins 5 and 6 of IC1621.
 5. Check that the FOCUS up and down signals are correct.
Pins 5 and 6 of IC1611.
 6. Check that the ZOOM up and down signals are correct.
Pins 5 and 6 of IC1601.
 7. Check that the LENS SHIFT motor drive signals are correct.
Pins 10 and 2 of IC1631 and IC1621.
 8. Check that the FOCUS motor drive signals are correct.
Pins 10 and 2 of IC1611.
 9. Check that the ZOOM motor drive signals are correct.
Pins 10 and 2 of IC1601.

--- Horizontal shift function does not exist in some particular models. ---

Motor drive IC block diagram



Truth table IC1601/IC1611/IC1621/IC1631

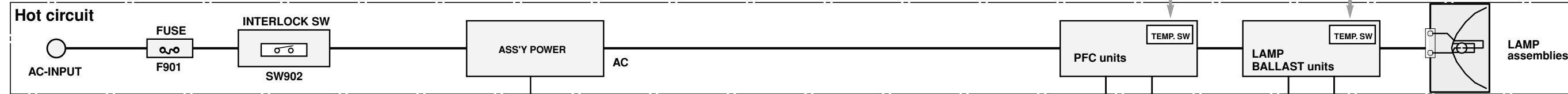
Input		Output		Operation
5	6	2	10	
H	L	H	L	Forward(reverse) drive
L	H	L	H	Reverse(forward) drive
L	L	L	L	Braking

TEMPERATURE ABNORMALITY -1

Troubleshooting

Temperature sensors location can see it on "protections"(page-5).

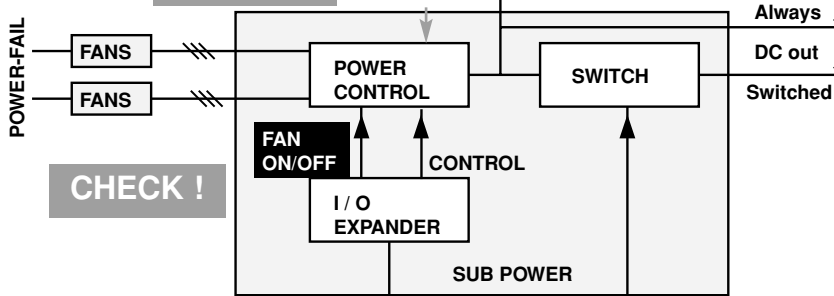
NOTE : Temperature monitor operation.
 ■ The temperature monitor system is provided to prevent damage of optical components (the LCD panel and polarization film etc.) inside a projector from overheat. Two protection systems are provided. Each system operation as follows ;
 ■ **Temperature monitor -1.**
 --- To control the driving power of the cooling fans. ---
 CPU checks the temperature and atmospheric pressure inside a projector. And CPU controls the drive power of the cooling fans so the temperature inside the projector is maintained to normal temperature.
 --- To shut down the projector. ---
 CPU checks temperature of LCD panel periphery and inhalation air(IC5801). If each part temperature reaches to abnormal temperature, CPU will turn off a projector, and will blink TEMPERATURE WARNING indicator at intervals of 0.6 seconds. Cooling fans operate until temperature returns to normal. Indicator will stop blink, if temperature returns to normal.
 ■ **Temperature monitor -2.** --- (Temperature check of lamps) . ---
 Temperature switches are arranged near each lamp. Temperature switches will operate, if temperature reaches 90 - 100 degrees.
 When temperature switches have operated, lamp ballast units will be shut down, then a projector will be turned off.
 Note. CPU does not check operation of temperature switches. Therefore, when temperature switches have operated and a projector has shut down, TEMPERATURE-WARNING indicator does not blink.



Has not the temperature switch operated?
 If the temperature around FET reaches 85 degrees, a PFC circuit will be shut down.

Has not the temperature switch operated?
 When the temperature around a lamp driver reaches 85 degrees, unit lamp ballast will be shut down and a lamp monitor signal changes from L to H.

CHECK Fan

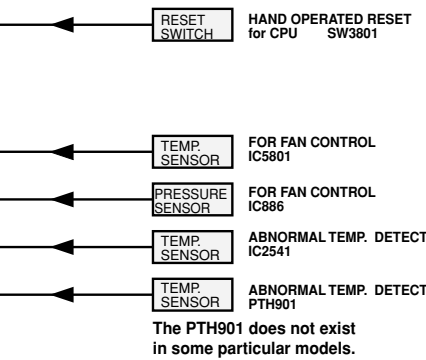
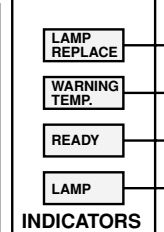


Refer to next page but one

Have not the temperature switches operated?
 Temperature switches are arranged near each lamp. Temperature switches will operate, if temperature reaches 90 - 100 degrees.
 When temperature switches have operated, lamp ballast units will be shut down, then a projector will be turned off.
 Note :
 CPU does not check operation of temperature switches. Therefore, when temperature switches have operated and a projector has shut down, TEMPERATURE-WARNING indicator does not blink.

***NOTE : TEMP. MONITOR LED OPERATION**
 ■ The red LED indicates temperature monitor operation as follows:
 LED off: Normal temperature.
 LED flashes in 0.6 second interval: Abnormality temperature.

Doesn't the temperature warning indicator (red) blink?
 The projector is turned off when the temperature around the LCD panel reaches 46 - 48 degrees. And a temperature warning indicator blinks.



NOTE : CPU OPERATION
 ■ CPU (IC801) performs an input check by the IIC-SDA signal pin.
 ■ When it has detected abnormal condition, CPU turns off the projector compulsorily. Cooling fans operate until temperature returns to normal. Moreover, a projector cannot be turned on during this period.

Cooling fans drive power control.
 CPU checks the temperature and atmospheric pressure inside a projector. And CPU controls the drive power of the cooling fans so the temperature inside the projector is maintained to normal temperature.

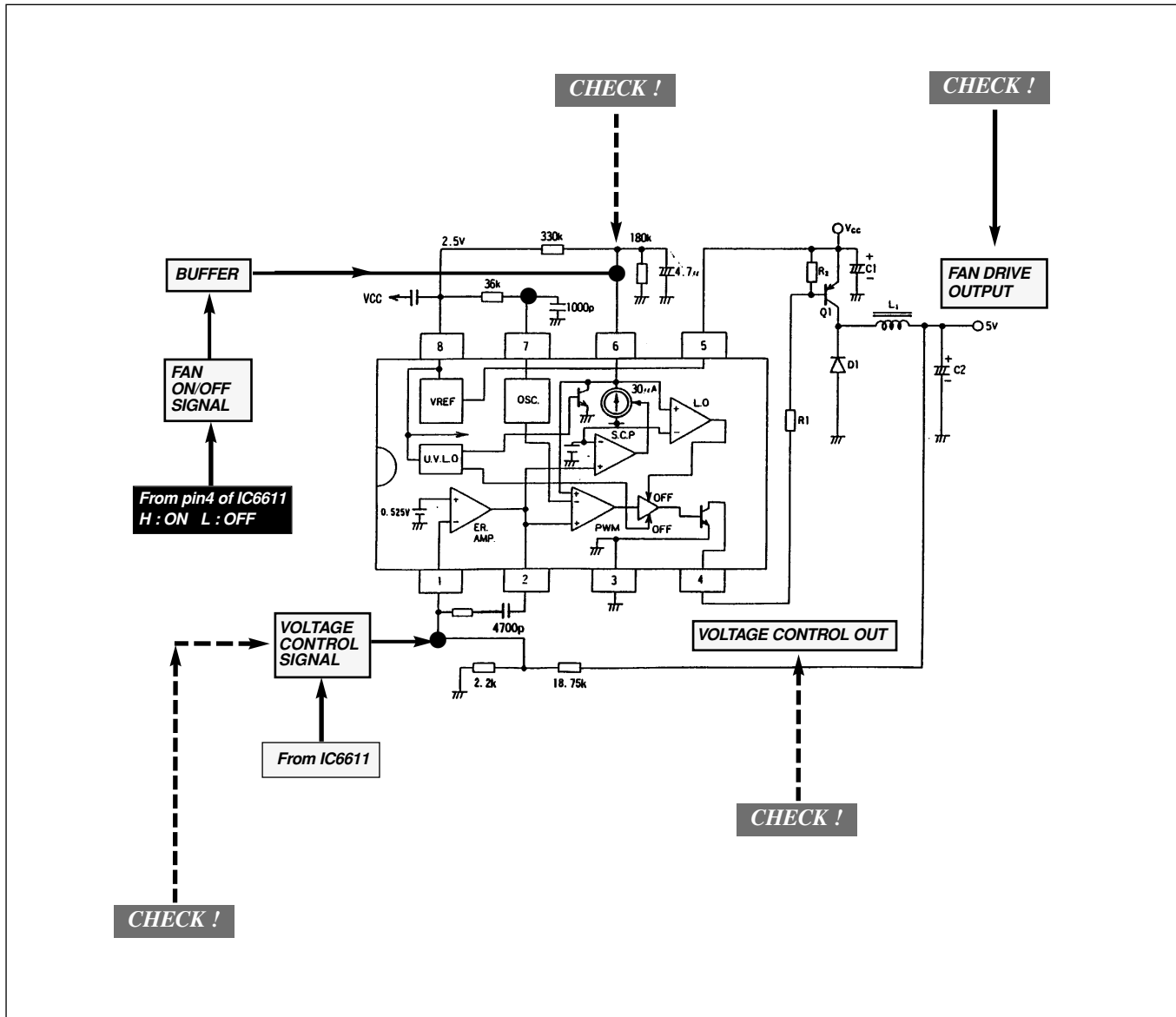
Projector shut down.
 CPU performs temperature check around the LCD panel using temperature sensor IC2541 (B-side of assembly main). If this temperature reaches 47 degrees, CPU will turn off a projector, and will blink TEMPERATURE WARNING indicator at intervals of 0.6 seconds.

The PTH901 does not exist in some particular models.

TEMPERATURE ABNORMALITY -2

Troubleshooting

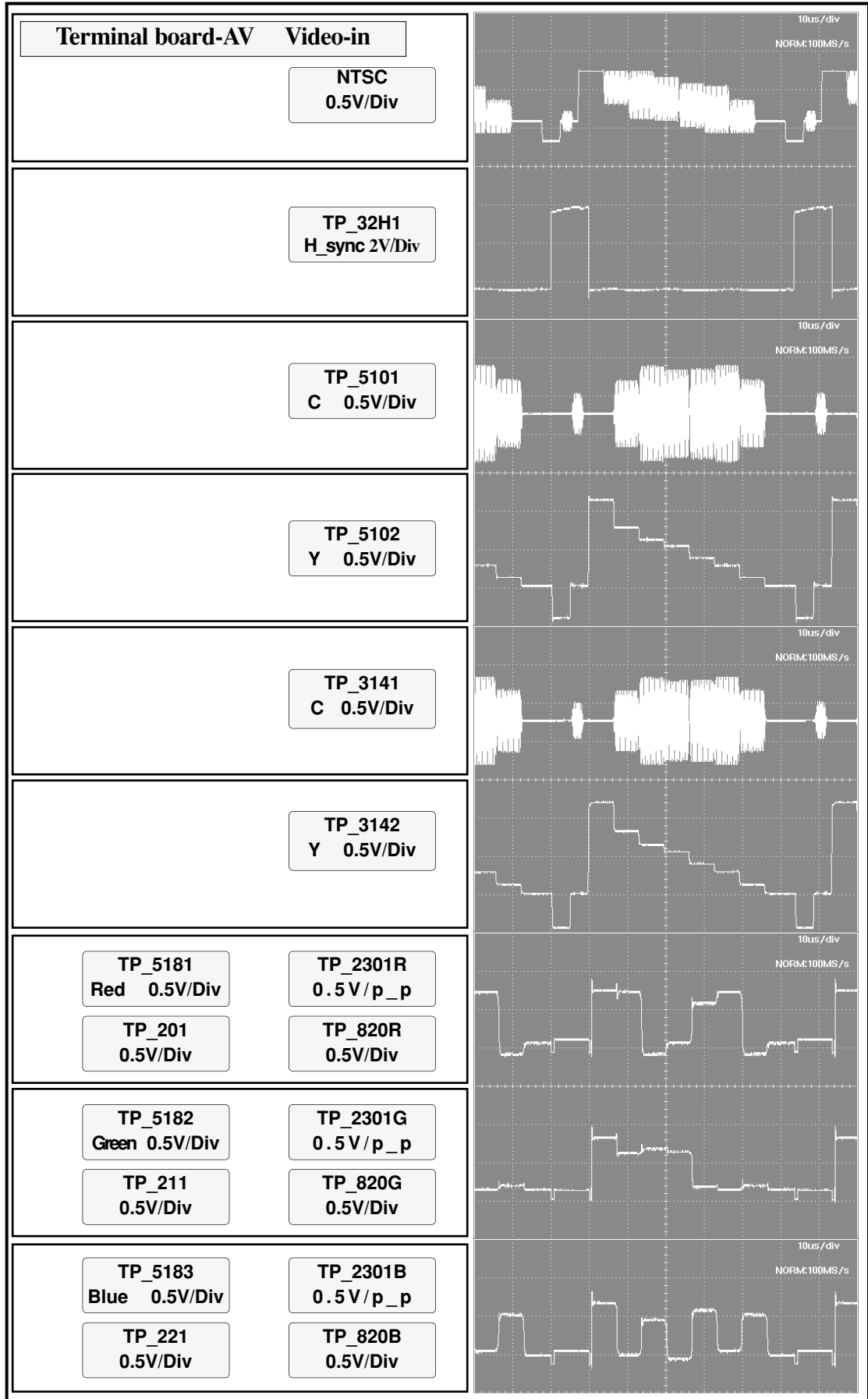
Check the fan control circuit



Waveforms

Timing chart

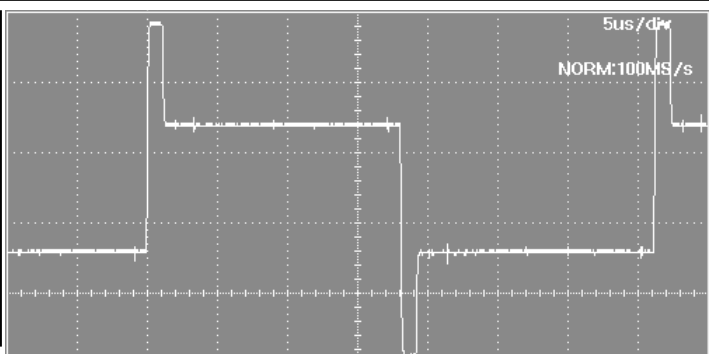
10us/Div



Timing chart

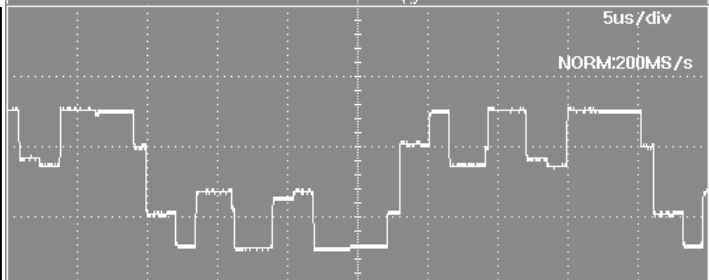
5us/Div

TP_2561
TP_2571
PSIG



Red LCD panel drive signal

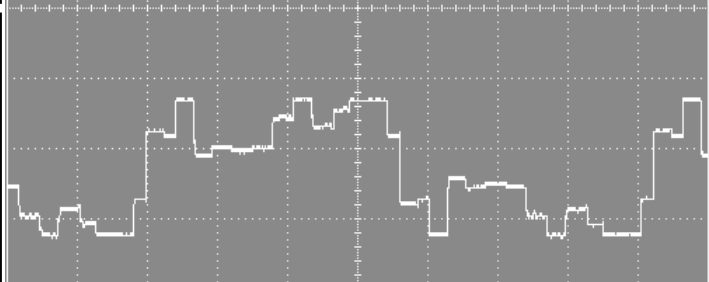
5V/Div



Green LCD panel drive signal

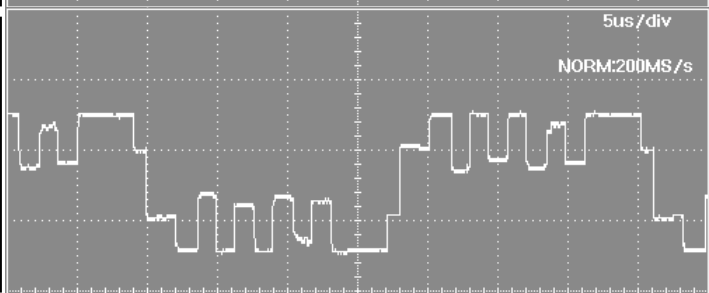
TP_2527
G 5V/Div

TP_2526
G 5V/Div



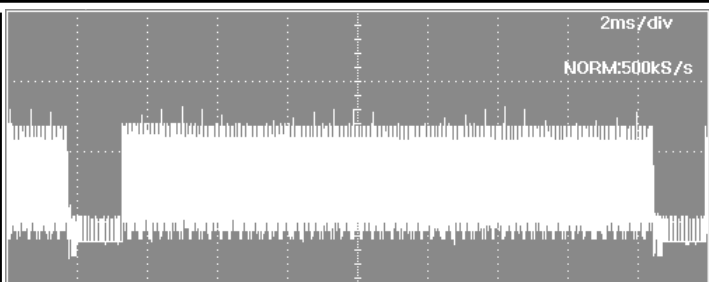
Blue LCD panel drive signal

5V/Div

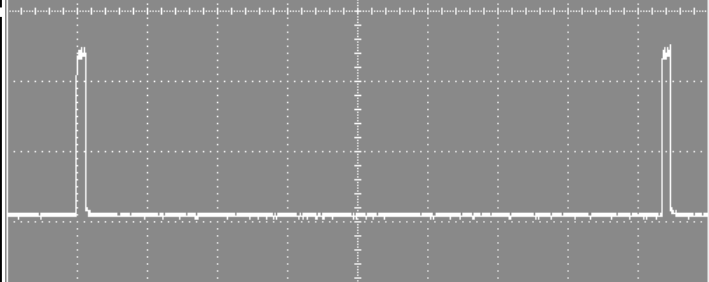


2ms/Div

Input_signal
NTSC 0.5V/Div



TP_32V1
V_sync 5V/Div



Alignment procedures

Service adjustment menu operation

■ To enter the "service mode."

To enter the service mode, press the "MENU" and "IMAGE" buttons on the projector simultaneously and hold for 2 seconds. As shown in a figure, a service mode display appears on a screen.

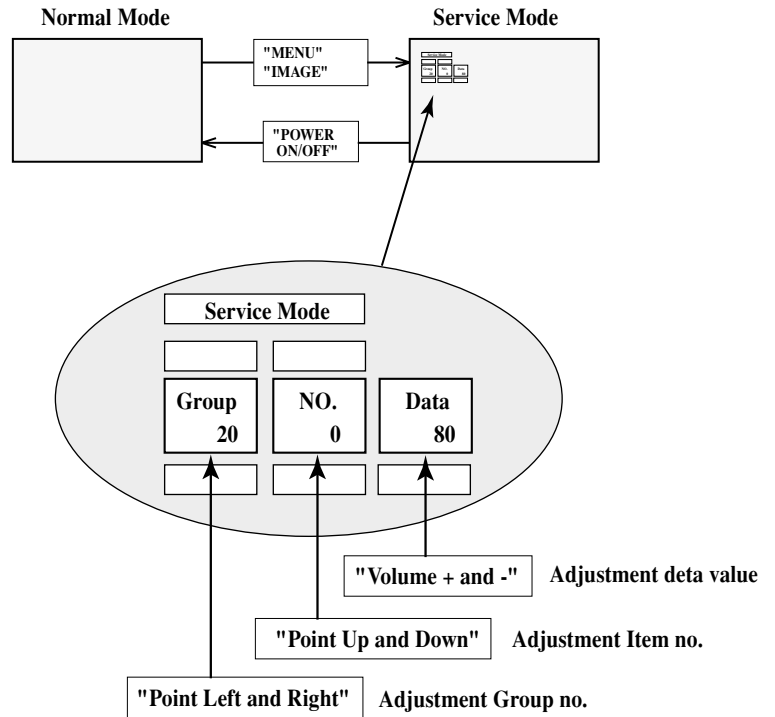
■ Adjustment.

Adjust service data using the following control buttons.

1. "POINT RIGHT" -- A group number increases.
2. "POINT LEFT" ---- A group number decreases.
3. "POINT UP" ----- An item number increases.
4. "POINT DOWN" -- An item number decreases.
5. "VOLUME+" ----- An adjustment value increases.
6. "VOLUME -" ----- An adjustment value decreases.

■ To exit the "service mode."

Press the "POWER on/off" button only once on the projector or remote control unit to quit the service mode.



■ Readjustments after Parts Replacement

After replacing electric parts and optical parts, electric readjustment and optical readjustment are required. Refer to the section of "parts list" for the required readjustment items after parts replacement.

(Refer to page 60.)

■ Service mode adjustment Menu

Group-no.	Adjustment Item	Adjustment Mode			
		Not designated	PC	AV	Component
140-0	Fans-A driving voltage adjustment	●			
140-1	Fans-A driving voltage adjustment	●			
140-2	Fans-C driving voltage adjustment	●			
140-3	Fans-C driving voltage adjustment	●			
140-4	Fans-B driving voltage adjustment	●			
140-5	Fans-B driving voltage adjustment	●			
200-0	G-Video center DC adjustment		●		
200-1	R-Video center DC adjustment		●		
200-2	B-Video center DC adjustment		●		
200-3	PSIG signal adjustment		●		
200-4	PSIG signal adjustment		●		
200-5	Green pedestal level adjustment -PC		●		
200-6	Red pedestal level adjustment -PC		●		
200-7	Blue pedestal level adjustment -PC		●		
200-8	Green Contrast adjustment-PC		●		
200-9	Red Contrast adjustment-PC		●		
200-10	Blue Contrast adjustment-PC		●		
200-11	Green panel driving signal adjustment -PC		●		
200-12	Green panel driving signal adjustment -PC		●		
200-13	Red panel driving signal adjustment -PC		●		
200-14	Red panel driving signal adjustment -PC		●		
200-15	Blue panel driving signal adjustment -PC		●		
200-16	Blue panel driving signal adjustment -PC		●		
200-17	Flicker reduction--Green		●		
200-18	Flicker reduction--Red		●		
200-19	Flicker reduction--Blue		●		
210-5	Green pedestal level adjustment -AV			●	
210-6	Red pedestal level adjustment -AV			●	
210-7	Blue pedestal level adjustment -AV			●	
210-8	Green Contrast adjustment-AV			●	
210-9	Red Contrast adjustment-AV			●	
210-10	Blue Contrast adjustment-AV			●	
210-11	Green panel driving signal adjustment -AV			●	
210-12	Green panel driving signal adjustment -AV			●	
210-13	Red panel driving signal adjustment -AV			●	
210-14	Red panel driving signal adjustment -AV			●	
210-15	Blue panel driving signal adjustment -AV			●	
210-16	Blue panel driving signal adjustment -AV			●	

Group-no.	Adjustment Item	Adjustment Mode			
		Not designated	PC	AV	Component
210-14 & 16	AV White balance adjustment. 4 lamp mode			●	
200-14 & 16	PC White balance adjustment. 4 lamp mode		●		
211-14 & 16	AV White balance adjustment. Lamp 1-4 of 2 lamp mode			●	
212-14 & 16	AV White balance adjustment. Lamp 2-3 of 2 lamp mode			●	
1000-25	AV Color and Tint adjustment			●	
1000-24	AV Color and Tint adjustment			●	
1010-0	AV Green Video signal adjustment			●	
1010-1	AV Green Video signal adjustment			●	
1010-2	AV Red Video signal adjustment			●	
1010-3	AV Red Video signal adjustment			●	
1010-4	AV Blue Video signal adjustment			●	
1010-5	AV Blue Video signal adjustment			●	
5010-0	Component G Video signal adjustment				●
5010-1	Component G Video signal adjustment				●
5010-2	Component R Video signal adjustment				●
5010-3	Component R Video signal adjustment				●
5010-4	Component B Video signal adjustment				●
5010-5	Component B Video signal adjustment				●
0-0	Temperature monitor IC5801 Read only	●			
0-1	Temperature monitor IC2541 Read only	●			
1-0	Atmospheric Pressure monitor IC886 Read only	●			
10-0	RS232C Baud rate (0:9600 / 1:19200)	●			
10-0	RS232C RTS/CTS Flow Control (0:Disable / 1:Enable)	●			
111-0	Lamp-1 Lamp illumination time Read only	●			
111-1	Lamp-2 Lamp illumination time Read only	●			
111-2	Lamp-3 Lamp illumination time Read only	●			
111-3	Lamp-4 Lamp illumination time Read only	●			
930-0	Lamp mode 4 Lamp Mode (See Note.)	●			
930-1	Lamp mode Lamp 1-4 of 2 Lamp Mode (See Note.)	●			
930-2	Lamp mode Lamp 2-3 of 2 Lamp Mode (See Note.)	●			
998-0	Grid Test Pattern Display	●			

J/C

Note : Group-no. 930

- If the data value appears "11" on the screen, the lamp mode is selected.
- If the data value appears "0" on the screen, the lamp mode is not selected. Set the data value to "10."
- If the data value appears "99" on the screen, it is period for cooling of the lamp. Wait until it is changed to "0." Then set the data value to "10."

Caution :

Other adjustment items are not related to service and a maintenance. Don't change the data values of those adjustment items. Otherwise it may cause loss of product safety.

■ *Electrical adjustments*

Note :

■ The following adjustment is the adjustment item for Assembly power. The test point exists on **the Assembly power.**

1. Voltage adjustment.

■ The following adjustments are the adjustment item for Terminal board-AV. The adjustment data is stored to Terminal board-AV (IC2143). The test points exist on **the Terminal board-AV and the Assembly main.**

2. AV Video signal adjustments.

3. 3DNR-PLL Lock check.

4. AV Color and Tint adjustments.

■ The following adjustment is the adjustment item for Terminal board component. The adjustment data is stored to Terminal board-component (IC2082). The test points exist on **the Terminal board component and the Assembly main.**

5. Component Video signal adjustments.

■ The following adjustment is the adjustment item for Assembly sub power. But the adjustment data is stored to Assembly main (IC1811 and IC871). The test points exist on **the Assembly PBS fan-net, the Assembly EXH fan-net and the Assembly sub-power.**

6. Fans driving voltage adjustments.

■ The following adjustments are the adjustment item for Assembly main. The adjustment data is stored to Assembly main (IC1811 and IC871). The test points exist on **the Assembly main.**

7. Video center DC adjustments.

8. PSIG signal adjustments.

9. PC pedestal level adjustments.

10. PC contrast adjustments.

11. AV pedestal level adjustment.

12. AV contrast adjustments.

13. Panel driving signal adjustments -AV.

14. Panel driving signal adjustments -PC.

15. Flicker reduction.

16. White balance adjustments.

Location of test points can see it on "PWB parts location diagrams."

J/C

1. Voltage adjustment

Equipment	Digital voltmeter
Connections	+ K6D(2) - chassis ground

Adjustment:
Adjust the voltage of K6D to $6.35 \pm 0.05V$ DC with the VR652.

2. AV Video signal adjustments

Equipment	Oscilloscope
Input mode	AV
Input signal	16 step gray scale signal
Picture condition	Normal

Set the image to "Service mode."

2-1. AV Green Video adjustment

Connections : + TP211 or TP5182 / - chassis ground.
Adjust each item for below values with the Volume + and - buttons.

Group	No.	Adjustment part.	Adjustment or adjustment value.
1010-	0	Amplitude-A in a figure.	$0.7 \pm 0.05V_{p-p}$
1010-	1	Pedestal level and black level.	Make it the same level.

2-2. AV Red Video adjustment

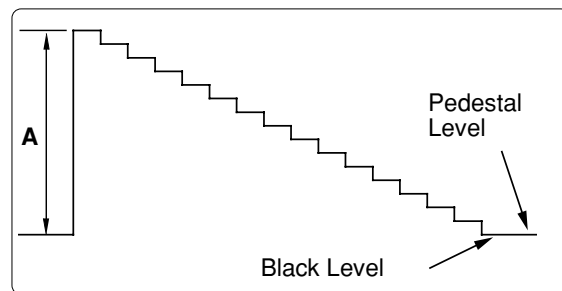
Connections : + TP201 or TP5181 / - chassis ground.
Adjust each item for below values with the Volume + and - buttons.

Group	No.	Adjustment part.	Adjustment or adjustment value.
1010-	2	Amplitude-A in a figure.	$0.7 \pm 0.05V_{p-p}$
1010-	3	Pedestal level and black level.	Make it the same level.

2-3. AV Blue Video adjustment

Connections : + TP221 or TP5183 / - chassis ground.
Adjust each item for below values with the Volume + and - buttons.

Group	No.	Adjustment part.	Adjustment or adjustment value.
1010-	4	Amplitude-A in a figure.	$0.7 \pm 0.05V_{p-p}$
1010-	5	Pedestal level and black level.	Make it the same level.



3. The voltage check of the 3D-Noise-reduction-PLL circuit.

Equipment	Digital voltmeter
Connections :	+ TP5103/ - chassis ground.
Input mode	AV
Input signal	Color bar signal(PAL)
Picture condition	Normal

Check that the voltage of TP5103 is 2.9 ± 0.5 VDC.

If it is not 2.9 ± 0.5 VDC, check the periphery of the 3D-Noise-reduction-PLL circuit and repair it.

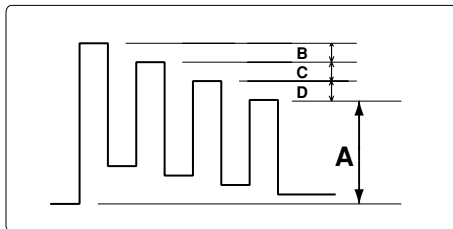
4. AV Color and Tint adjustments

Equipment	Oscilloscope.
Input mode	AV.
Input signal	Color bar signal(NTSC)
Picture condition	Normal.
Connections	+ TP221 or TP5183 - chassis ground.

Set the image to "Service mode."

Adjust each item for below values with the Volume + and - buttons.

Group	No.	Adjustment part.	Adjustment or adjustment value.
1000-	25	Amplitude-A in a figure.	0.45 ± 0.02 Vp-p
1000-	24	Part-B, C and D in a figure.	Make those the same width.



5. Component Video signal adjustments

Equipment	Oscilloscope.
Input mode	Y, Cb, Cr.
Input signal	16 step gray scale signal
Picture condition	Normal.

Set the image to "Service mode."

3-1. Component G Video adjustment

Connections + TP211 or TP2072 / - chassis ground.
Adjust each item for below values with the Volume + and - buttons.

Group	No.	Adjustment part.	Adjustment or adjustment value.
5010-	0	Amplitude-A in a figure.	0.66 ± 0.05 Vp-p
5010-	1	Pedestal level and black level.	Make it the same level.

3-2. Component R Video adjustment

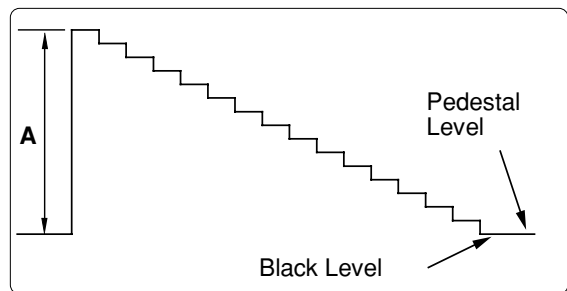
Connections + TP201 or TP2071 / - chassis ground.
Adjust each item for below values with the Volume + and - buttons.

Group	No.	Adjustment part.	Adjustment or adjustment value.
5010-	2	Amplitude-A in a figure.	0.66 ± 0.05 Vp-p
5010-	3	Pedestal level and black level.	Make it the same level.

3-3. Component B Video adjustment

Connections + TP221 or TP2073 / - chassis ground.
Adjust each item for below values with the Volume + and - buttons.

Group	No.	Adjustment part.	Adjustment or adjustment value.
5010-	4	Amplitude-A in a figure.	0.66 ± 0.05 Vp-p
5010-	5	Pedestal level and black level.	Make it the same level.



6. Fan driving voltage adjustments

Equipment Digital voltmeter.

Set the image to "Service mode."
Adjust each item for below values with the Volume + and - buttons.

Group	No.	Connection	Adjustment or adjustment value.
140-	0	TP7611 (Fan-A)	9.0± 0.1VDC
140-	1	TP7611 (Fan-A)	14.0± 0.1VDC
140-	2	TP2661 (Fan-C)	10.1± 0.1VDC
140-	3	TP2661 (Fan-C)	13.0± 0.1VDC
140-	4	TP2671 (Fan-B)	9.5± 0.1VDC
140-	5	TP2671 (Fan-B)	14.0± 0.1VDC

7. Video center DC adjustments

Equipment Digital voltmeter.
Input mode Computer.
Input signal 16 step gray scale signal.

Set the image to "Service mode."
Adjust each item for below values with the Volume + and - buttons.

Group	No.	Connection	Adjustment or adjustment value.
200-	0	TP2526 (G-DC)	7.4 ± 0.1VDC
200-	1	TP2516 (R-DC)	7.4 ± 0.1VDC
200-	2	TP2536 (B-DC)	7.4 ± 0.1VDC

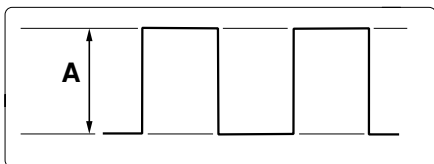
8. PSIG signal adjustments

Equipment Oscilloscope.
Input mode Computer.
Input signal 16 step gray scale signal

Set the image to "Service mode."

Adjust each item for below values with the Volume + and - buttons.

Group	No.	Connection	Adjustment part.	Adjustment or adjustment value.
200-	3	TP2561	Amplitude-A in a figure.	10.0 ± 0.1Vp-p
200-	4	TP2571	Amplitude-A in a figure	3.8 ± 0.1Vp-p



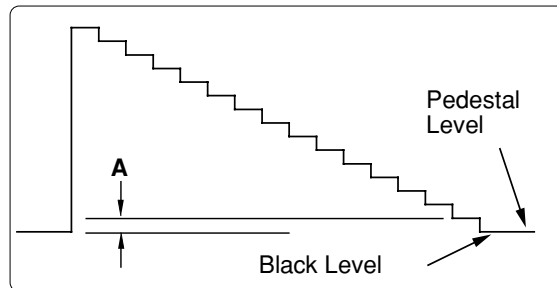
9. Pedestal level adjustments -PC

Equipment Oscilloscope.
Input mode Computer.
Input signal 16 step gray scale signal
Set the image to "Service mode."

Adjust the pedestal level and black level in same level with the Volume + and - buttons.

However, the amplitude-A in a figure must not shrink.

Group	No.	Connection
200-	5	TP2526 (Green pedestal level adjustment)
200-	6	TP2516 (Red pedestal level adjustment)
200-	7	TP2536 (Blue pedestal level adjustment)

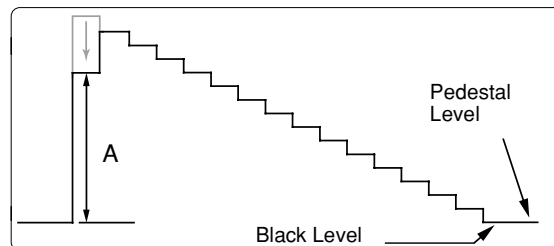


10. Contrast adjustments-PC

Equipment Oscilloscope.
Input mode Computer.
Input signal 16 step gray scale signal
Set the image to "Service mode."

Adjust each test point value part-A in a figure minimum amplitude with the Volume + and - buttons.

Group	No.	Connection
200-	8	TP2526 (Green contrast adjustment)
200-	9	TP2516 (Red contrast adjustment)
200-	10	TP2536 (Blue contrast adjustment)



C

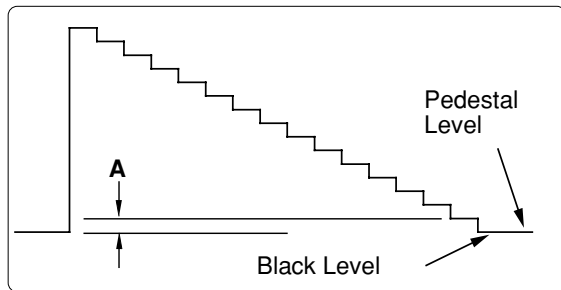
11. Pedestal level adjustments AV

Equipment Oscilloscope.
 Input mode AV
 Input signal 16 step gray scale signal
 Set the image to "Service mode."

Adjust the pedestal level and black level in same level with the Volume + and - buttons.

However, the amplitude-A in a figure must not shrink.

Group	No.	Connection
210-	5	TP2526 (Green pedestal level adjustment)
210-	6	TP2516 (Red pedestal level adjustment)
210-	7	TP2536 (Blue pedestal level adjustment)

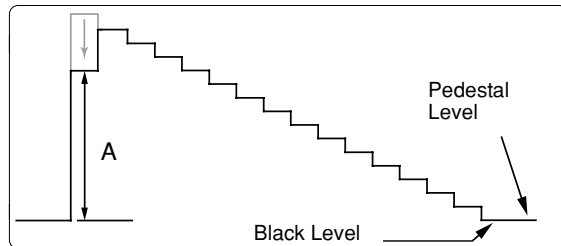


12. Contrast adjustments-AV

Equipment Oscilloscope.
 Input mode AV.
 Input signal 16 step gray scale signal
 Set the image to "Service mode."

Adjust each test point value part-A in a figure minimum amplitude with the Volume + and - buttons.

Group	No.	Connection
210-	8	TP2526 (Green contrast adjustment)
210-	9	TP2516 (Red contrast adjustment)
210-	10	TP2536 (Blue contrast adjustment)



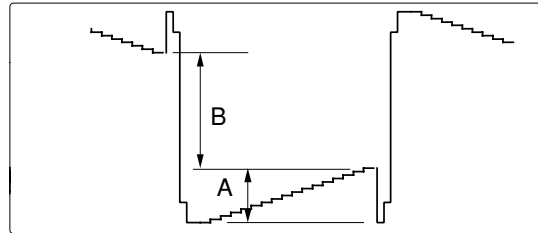
13. Panel driving signal adjustments -AV

Equipment Oscilloscope.
 Input mode AV.
 Input signal 16 step gray scale signal
 Picture condition Normal.

Set the image to "Service mode."

Adjust each item for below values with the Volume + and - buttons.

Group	No.	Connection	Adjustment part.	Adjustment or adjustment value.
210-	11	TP2526(Green)	Amplitude-A in a figure.	$4.1 \pm 0.05V_{p-p}$
210-	12	TP2526(Green)	Amplitude-B in a figure.	$1.6 \pm 0.05V_{p-p}$
210-	13	TP2516(Red)	Amplitude-A in a figure.	$4.1 \pm 0.05V_{p-p}$
210-	14	TP2516(Red)	Amplitude-B in a figure.	$1.6 \pm 0.05V_{p-p}$
210-	15	TP2536(Blue)	Amplitude-A in a figure.	$4.1 \pm 0.05V_{p-p}$
210-	16	TP2536(Blue)	Amplitude-B in a figure.	$1.6 \pm 0.05V_{p-p}$



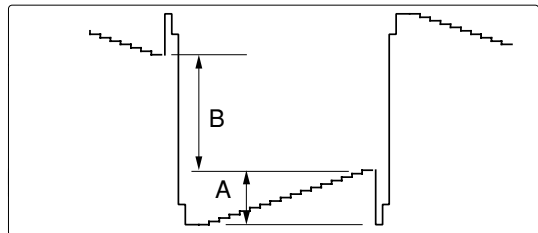
14. Panel driving signal adjustments -PC

Equipment Oscilloscope.
 Input mode Computer
 Input signal 16 step gray scale signal

Set the image to "Service mode."

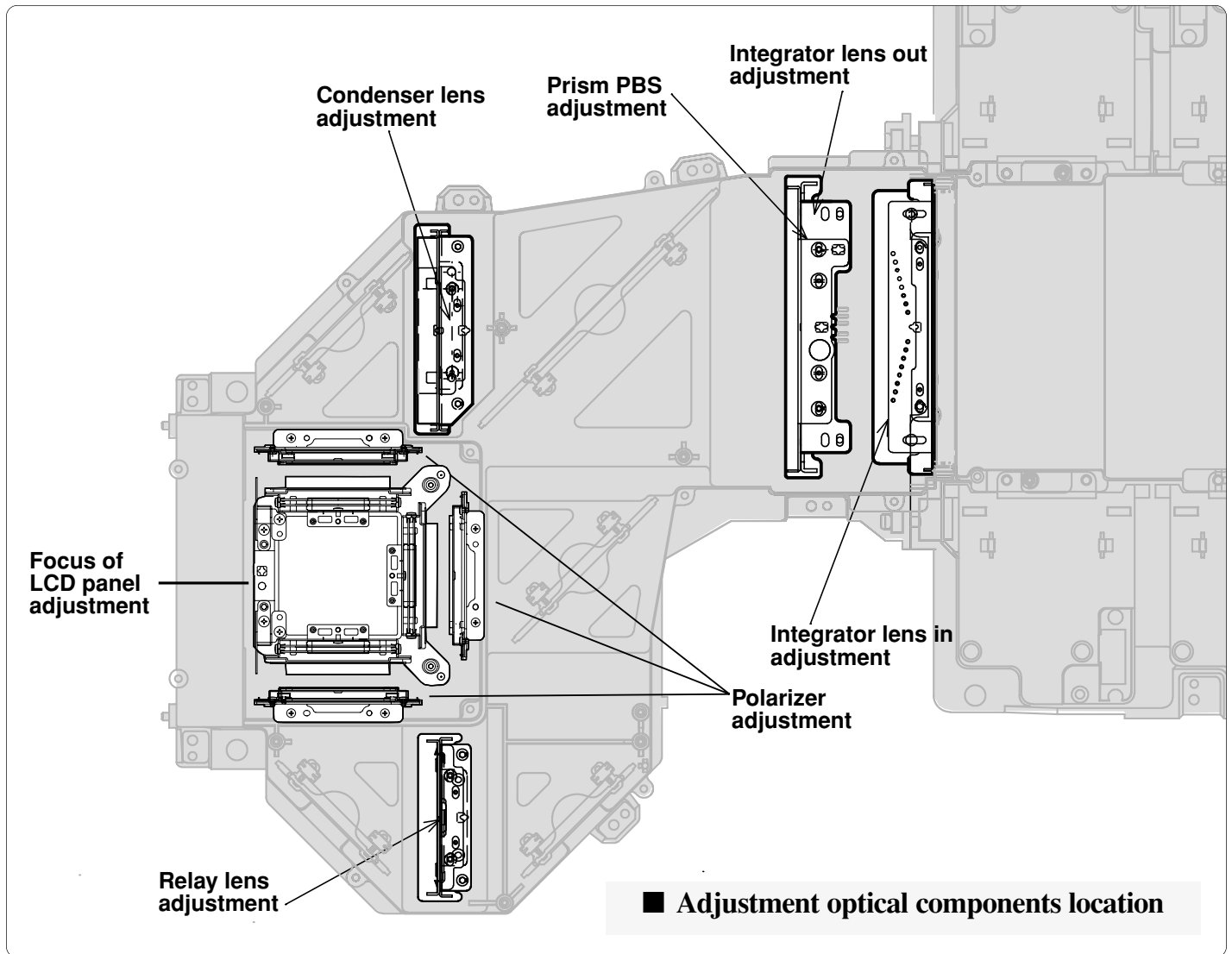
Adjust each item for below values with the Volume + and - buttons.

Group	No.	Connection	Adjustment part.	Adjustment or adjustment value.
200-	11	TP2526(Green)	Amplitude-A in a figure.	$4.1 \pm 0.05V_{p-p}$
200-	12	TP2526(Green)	Amplitude-B in a figure.	$1.5 \pm 0.05V_{p-p}$
200-	13	TP2516(Red)	Amplitude-A in a figure.	$4.1 \pm 0.05V_{p-p}$
200-	14	TP2516(Red)	Amplitude-B in a figure.	$1.5 \pm 0.05V_{p-p}$
200-	15	TP2536(Blue)	Amplitude-A in a figure.	$4.1 \pm 0.05V_{p-p}$
200-	16	TP2536(Blue)	Amplitude-B in a figure.	$1.5 \pm 0.05V_{p-p}$



C

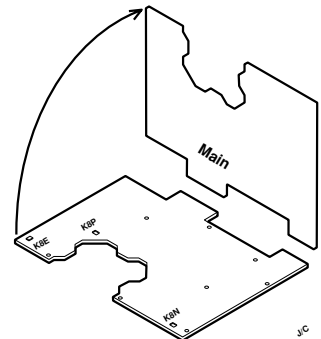
Optical components adjustments



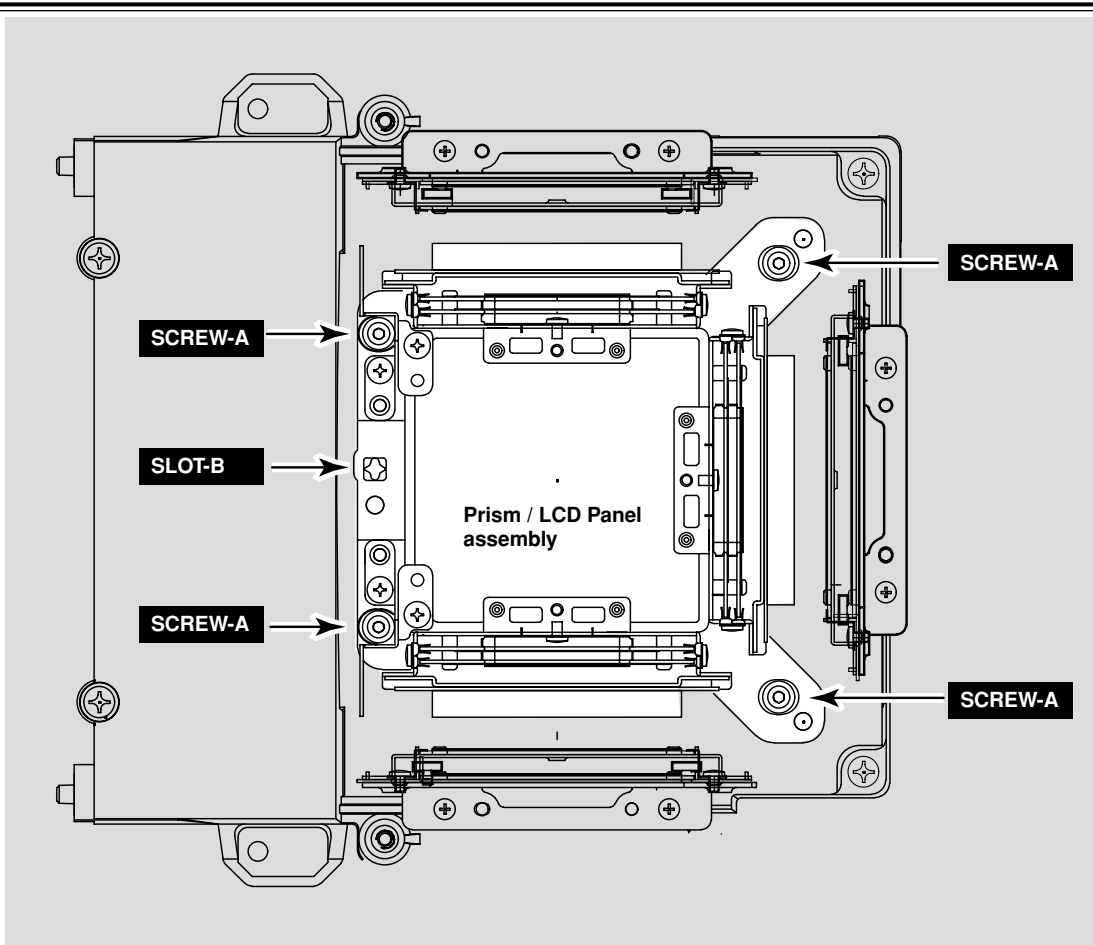
■ Before Adjustment

1. Each adjustment requires ball allen wrenches set and slot screwdrivers set.
2. Set the position of motorized lens shift to the center position.
(The position where an arrow becomes red on a screen is a center position.)
3. The test pattern display exists in service mode. Use it at the time of Panel's Focus adjustment.
 - (a) Set the image to "service mode."
 - (b) Select Group no. 998-0.
 - (c) Press the Volume+ - buttons, and each color grid pattern is displayed.
 - (d) Press menu button to quit the service mode.
4. When adjusting lenses of the Relay and Condenser, follow the following procedure.
 - (a) Remove the connector-K8E, connector-K8N, connector-K8P and the flexible cables of the LCD panels from the assembly Main. *(Never touch the electrode of flexible cables.)*
 - (b) As shown in a figure, Set the assembly-Main to the upright position.
 - (c) At this time, the assembly main must not short-circuit with the chassis. Protect assembly-Main using an insulator.

J/C



■ Focus of LCD Panel Adjustment



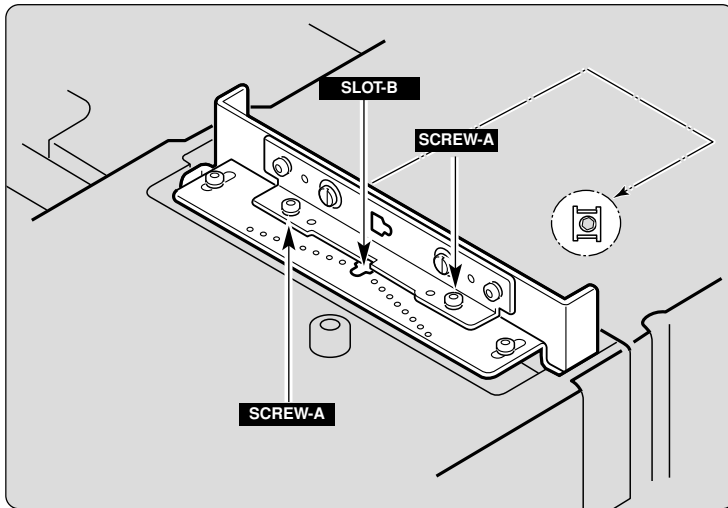
Before Adjustment :

1. Turn on a projector.
2. Set the image to "service mode" and project a green grid pattern on a screen. And adjust green grid pattern to sharp focus, pressing Focus(▲)(▼) buttons on the projector or remote control unit.
3. Press Zoom(▲)(▼) buttons on the projector or remote control unit. And if the focus shifts by the ZOOM position moves between TELE and WIDE, adjust in the following procedure.

Adjustment :

1. Loosen four screws-A using ball allen wrench.
2. Set image size to the maximum, pressing Zoom(▲) button on the projector or remote control unit.
3. Adjust center part of green grid pattern to sharp focus, pressing Focus(▲)(▼) buttons on the projector or remote control unit.
4. Set image size to the minimum, pressing Zoom(▼) button on the projector or remote control unit.
5. Insert a slot screwdriver into slot-B, turn it and adjust center part and four corners on the green grid pattern to sharp focus.
6. Repeat steps 2 to 5. If the focus does not shift by the ZOOM position moves between TELE and WIDE, it will be the completion of adjustment.
7. Tighten four screws-A to fix the assembly LCD panel / prism using ball allen wrench.

■ Integrator-lens-in adjustment-1



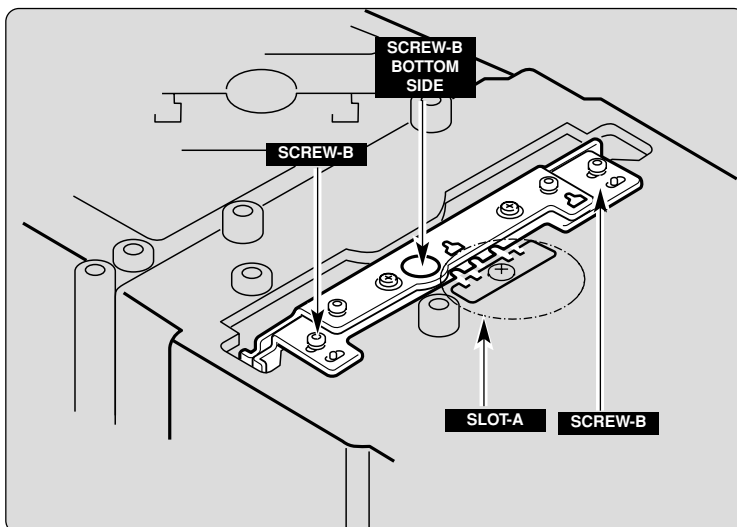
Before Adjustment :

- * Remove the flexible cables of LCD panels from the assembly Main. And turn on the projector.
- * Shift the adjustment position of Integrator-lens-out temporarily until shade appears the right or the left on the screen. After the Integrator-lens-in-1 adjustment, readjust the Integrator-lens-out.
- * Refer to "Integrator-lens-out adjustment" of next step for the adjustment method.

Adjustment :

1. Insert light block sheets in front of the Red and Blue panels to block the red and blue lights so that green light is projected.
2. loosen 2 screws A.
3. Insert slot screwdriver into slot B, turn it until the shade edge is sharp focus.
4. Tighten the 2 screws A to fix the integrator-lens-in unit.

■ Integrator-lens-out adjustment

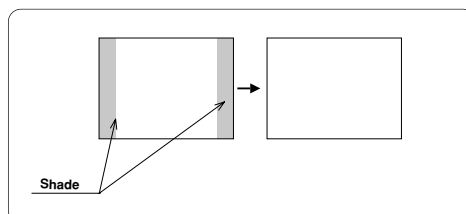


Before Adjustment :

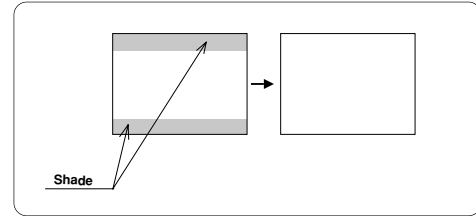
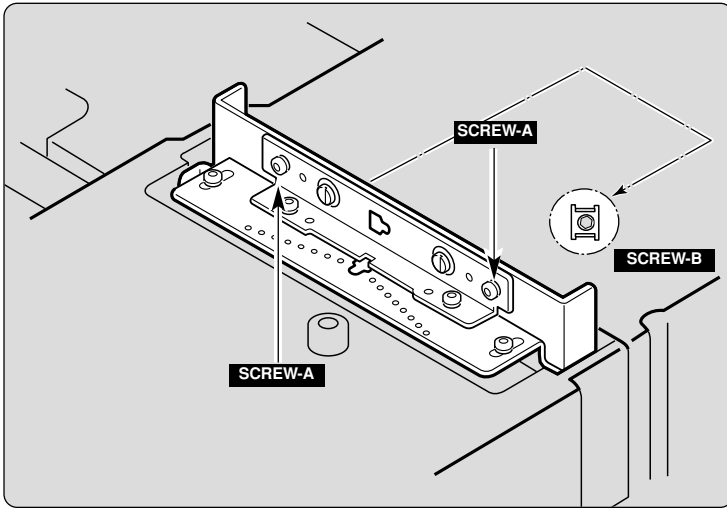
1. Remove the flexible cables of LCD panels from the assembly Main. And turn on the projector.
2. Insert light block sheets in front of the Red and Blue panels to block the red and blue lights so that green light is projected.
3. If the shade appears on the left or right of the screen, adjust in the following procedure.

Adjustment :

1. Loosen three screws-B.
2. Insert a slot screwdriver into slot-A, turn it and erase shade.
3. Tighten the three screws B to fix the integrator lens-out unit.



■ Integrator-lens-in adjustment-2



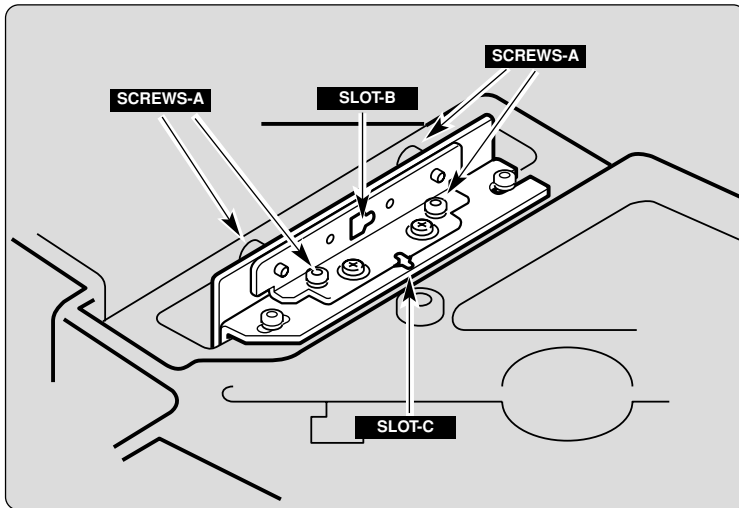
Before Adjustment :

1. Remove the flexible cables of LCD panels from the assembly Main. And turn on the projector.
2. Insert light block sheets in front of the Red and Blue panels to block the red and blue lights so that green light is projected.
3. If the shade appears on the top or bottom of the screen, adjust in the following procedure.

Adjustment :

1. Loosen two screws-A.
2. Insert a ball allen wrench into screw-B, turn it and erase shade.
3. Tighten the two screws A to fix the integrator lens-in unit.

■ Condenser-lens adjustment

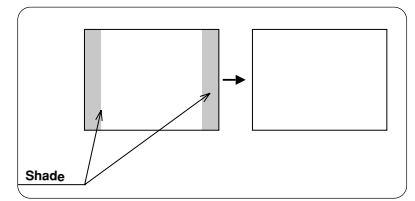
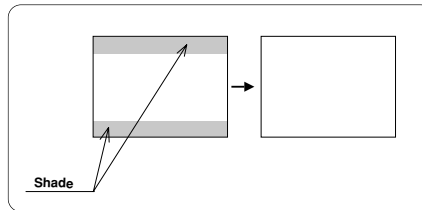


Before Adjustment :

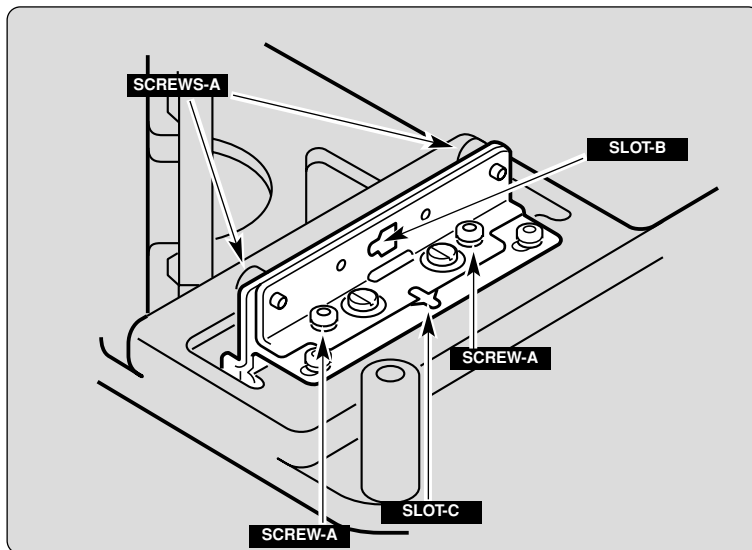
1. Remove the connector K8E, connector K8N, connector K8P and the flexible cables of LCD panels from the assembly Main. And turn on the projector.
2. Insert light block sheet in front of the blue panel to block the blue light so that yellow(Green and Red lights) light is projected.
3. If the shade appears on the screen, adjust in the following procedure.

Adjustment :

1. Set the assembly-Main to the upright position.
2. Loosen four screws-A.
3. If it appears on the top or bottom.---> Use slot-B.
If it appears on the left or right. ----> Use slot-C.
-- Insert slot screwdriver into each slot, turn it and erase shade. --
4. Tighten the four screws-A to fix the condenser-lens unit. J/C



■ Relay-lens adjustment

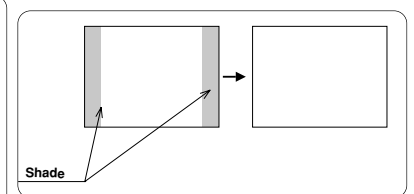
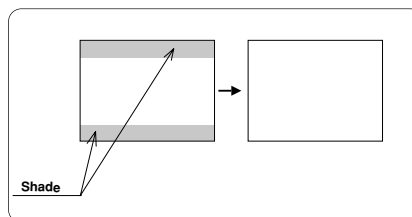


Before Adjustment :

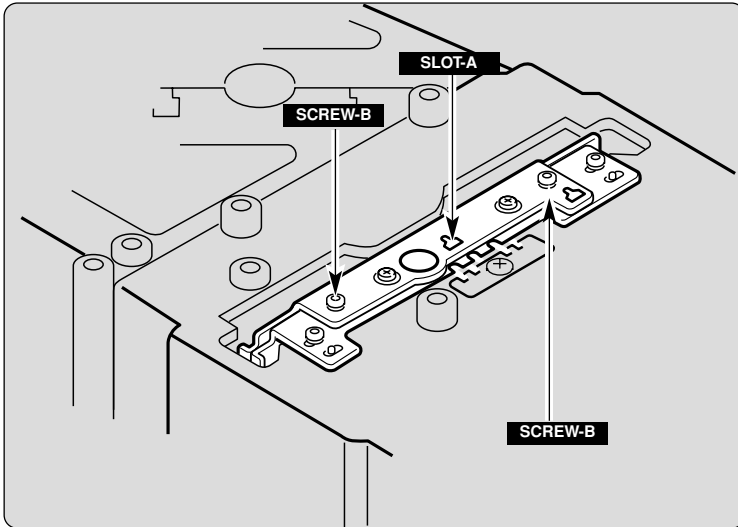
1. Remove the connector K8E, connector K8N, connector K8P and the flexible cables of LCD panels from the assembly Main. And turn on the projector.
2. Insert light block sheet in front of the red panel to block the red light so that cyan(Green and Blue lights) light is projected.
3. If the shade appears on the screen, adjust in the following procedure.

Adjustment :

1. Set the assembly-Main to the upright position.
2. Loosen four screws-A.
3. If it appears on the top or bottom.----> Use slot-B.
If it appears on the left or right. ----> Use slot-C.
-- Insert slot screwdriver into each slot, turn it and erase shade. --
4. Tighten the four screws-A to fix the Relay-lens unit. J/C



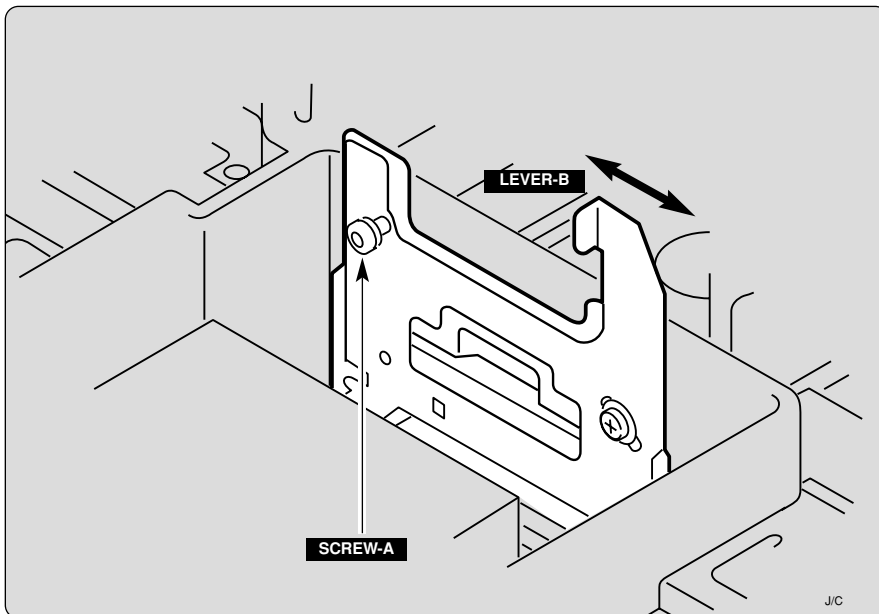
■ Prism P.B.S. adjustment



Adjustment :

1. Remove the flexible cables of LCD panels from the assembly Main. And turn on the projector.
2. Loosen two screws-B.
3. Insert a slot screwdriver into slot-A, turn it and adjust the center position of screen to maximum brightness.
4. Tighten the two screws-B to fix the prism PBS unit.

■ Polarizer adjustment



R, G and B polarizer adjustment :

1. Turn on a projector. And input the black raster signal(0% of white raster signal.)
2. Loosen screw-A on the polarizer unit which you intend to adjust using ball allen wrench.
3. Block the lights of the color which do not adjust using light block sheets.
4. Move the lever-B in the direction of an arrow and adjust the brightness on the screen to the lowest level of black.
5. Tighten the screw-A to fix the polarizer unit.
6. Adjust the polarizer of other colors.

J/C

CPU and I/O-Expander Control port functions

CPU (IC801 144 pin) Control port functions

Pin No.	Name	Function Name	Function	Polarity	I/O
1	PA23/WRHH	USB RESET	USB Reset signal	Active L	O
2	PE14/TIOC4C/DACK0/AH				O
3	PA22/WRHL				
4	PA21/CASHH	RS232C_SW	RS232C Output select signal		O
5	PE15/TIOC4D/DACK1/IRQOUT	POWER SW	"L":Power OFF "H":Power ON		O
6	VSS	GND			
7	PC0/A0	ADDRESS0	Address Bus 0		O
8	PC1/A1	ADDRESS1	Address Bus 1		O
9	PC2/A2	ADDRESS2	Address Bus 2		O
10	PC3/A3	ADDRESS3	Address Bus 3		O
11	PC4/A4	ADDRESS4	Address Bus 4		O
12	VCC	5V			
13	PC5/A5	ADDRESS5	Address Bus 5		O
14	VSS	GND			
15	PC6/A6	ADDRESS6	Address Bus 6		O
16	PC7/A7	ADDRESS7	Address Bus 7		O
17	PC8/A8	ADDRESS8	Address Bus 8		O
18	PC9/A9	ADDRESS9	Address Bus 9		O
19	PC10/A10	ADDRESS10	Address Bus 10		O
20	PC11/A11	ADDRESS11	Address Bus 11		O
21	PC12/A12	ADDRESS12	Address Bus 12		O
22	PC13/A13	ADDRESS13	Address Bus 13		O
23	PC14/A14	ADDRESS14	Address Bus 14		O
24	PC15/A15	ADDRESS15	Address Bus 15		O
25	PB0/A16	ADDRESS16	Address Bus 16		O
26	VCC	5V			
27	PB1/A17	ADDRESS17	Address Bus 17		O
28	VSS	GND			
29	PA20/CASHL	SCL 1	IIC Bus 1 Clock		I/O
30	PA19/BACK/DRAK1	SDA 1	IIC Bus 1 Data		I/O
31	PB2/IRQ0/POE0/RAS				
32	PB3/IRQ1/POE1/CASL				
33	PA18/BREQ/DRAK0	SYS SW	IC on/off Switch (ON="L", OFF="H")		O
34	PB4/IRQ2/POE2/CASH	AFT-V	V SYNC Input (LCD Panel Drive)	Active L	I
35	VSS	GND			
36	PB5/IRQ3/POE3/RDWR				I
37	PB6/IRQ4/A18/BACK	ADDRESS18	Address Bus 18		O
38	PB7/IRQ5/A19/BREQ	ADDRESS19	Address Bus 19		O
39	PB8/IRQ6/A20/WAIT	ADDRESS20	Address Bus 20		O
40	VCC	5V			
41	PB9/IRQ7/A21/ADTRG	ADDRESS21	Address Bus 21		O
42	VSS	GND			
43	PA14/RD	READ	Read Signal	Active L	O
44	WDTOVF				
45	PD31/D31/ADTRG	RTS	RS232C RTS (Request To Send)		O
46	PD30/D30/IRQOUT	CTS	RS232C CTS (Clear To Send)		I
47	PA13/WRH				
48	PA12/WRL	WRL	Write Signal (L-8Bit)	Active L	O
49	PA11/CS1				
50	PA10/CS0	CS0	Flash Memory Chip Select	Active L	O
51	PA9/TCLKD/IRQ3	SCL 2	IIC Bus 2 Clock		I/O
52	PA8/TCLKC/IRQ2	SDA 2	IIC Bus 2 Data		I/O
53	PA7/TCLKB/CS3	CS3	USB/IP/IO EXP/SRAM/FIFO Chip Select	Active L	O
54	PA6/TCLKA/CS2	CS2	CXD3511Q Chip Select	Active L	O
55	VSS	GND			
56	PD29/D29/CS3				
57	PD28/D28/CS2	PW_SEL	PW365 232C Select(SH="H",PIXEL="L")		O
58	PD27/D27/DACK1	PW_INTR	PW365 Interrupt Signal		O
59	PD26/D26/DACK0	PW_OUT1	PW365 Data Output		O
60	PD25/D25/DREQ1	PW_OUT0	PW365 Data Output		O
61	VSS	GND			
62	PD24/D24/DREQ0				
63	VCC	5V			
64	PD23/D23/IRQ7				
65	PD22/D22/IRQ6				
66	PD21/D21/IRQ5				
67	PD20/D20/IRQ4	SCONF_DONE	Single to Dual converter Enhancer Done Signal		I/O
68	PD19/D19/IRQ3	SSTATUSq	Single to Dual converter Enhancer Status Signal		I/O
69	PD18/D18/IRQ2	PW_IN1	PW365 Data Input		I
70	PD17/D17/IRQ1	PW_IN0	PW365 Data Input		I
71	VSS	GND			

CPU and I/O-Expander Control port functions

Pin No.	Name	Function Name	Function	Polarity	I/O
72	PD16/D16/IRQ0	PW_PG_SEL	PW365 232C Write SW(SH="H",PIXEL="L")		I
73	PD15/D15	DATA15	Data Bus 15		I/O
74	PD14/D14	DATA14	Data Bus 14		I/O
75	PD13/D13	DATA13	Data Bus 13		I/O
76	PD12/D12	DATA12	Data Bus 12		I/O
77	VCC	5V			
78	PD11/D11	DATA11	Data Bus 11		I/O
79	VSS	GND			
80	PD10/D10	DATA10	Data Bus 10		I/O
81	PD9/D9	DATA9	Data Bus 9		I/O
82	PD8/D8	DATA8	Data Bus 8		I/O
83	PD7/D7	DATA7	Data Bus 7		I/O
84	PD6/D6	DATA6	Data Bus 6		I/O
85	VCC	5V			
86	PD5/D5	DATA5	Data Bus 5		I/O
87	VSS	GND			
88	PD4/D4	DATA4	Data Bus 4		I/O
89	PD3/D3	DATA3	Data Bus 3		I/O
90	PD2/D2	DATA2	Data Bus 2		I/O
91	PD1/D1	DATA1	Data Bus 1		I/O
92	PD0/D0	DATA0	Data Bus 0		I/O
93	VSS	GND			
94	XTAL	XTAL	OSC Signal Input		I
95	MD3	Mode-3	Mode-3		I
96	EXTAL	EXTAL	OSC Signal Output		O
97	MD2	Mode-2	Mode-2		I
98	NMI	NONMASK	NONMASK		I
99	VCC (FWP)	FWP	Flash Memory Write Mode		I
100	PA16/AH	FLASH MODE	FWP Control		O
101	PA17/WAIT				O
102	MD1	Mode-1	Mode-1		I
103	MD0	Mode-0	Mode-0		I
104	PLLVCC	PLLVCC	PLL Vcc		
105	PLLCAP	PLLCAP	PLL Filter		
106	PLLVSS	PLLGND	PLL Gnd		
107	PA15/CK	M-CLK	CPU Clock Output (Auto Image FPGA)		O
108	RES	Reset	Reset	Active L	I
109	PE0/TIOC0A/DREQ0	PCTL	CXD3511Q		O
110	PE1/TIOC0B/DRAK0	SCL 6	IIC Bus 6 Clock		I/O
111	PE2/TIOC0C/DREQ1	SDA 6	IIC Bus 6 Data		I/O
112	VCC	5V			
113	PE3/TIOC0D/DRAK1	SDA 3	IIC Bus 3 Data		I/O
114	PE4/TIOC1A	SCL 3	IIC Bus 3 Clock		I/O
115	PE5/TIOC1B	SDA 4	IIC Bus 4 Data		I/O
116	PE6/TIOC2A	SCL 4	IIC Bus 4 Clock		I/O
117	VSS	GND			
118	PF0/AN0	KEY1	Top Control Keys-1 (A/D Input)		I
119	PF1/AN1	KEY2	Top Control Keys-2 (A/D Input)		I
120	PF2/AN2	KEY3	Top Control Keys-3 (A/D Input)		I
121	PF3/AN3	OPT1	Logo Mark		I
122	PF4/AN4	Press Sensor	Atmospheric Pressure Sensor		I
123	PF5/AN5	Temp Sensor	Thermistor		I
124	AVSS	GND	A / D Gnd		
125	PF6/AN6	POWER FAIL	Power Fail (L : Abnormality)		I
126	PF7/AN7	SDATA IN	SDATA IN		I
127	AVREF	5V	5V A / D REF.		
128	AVCC	5V	5V A / D Vcc		
129	VSS	Gnd			
130	PA0/RXD0	SH_RX	PW365 Rx		I
131	PA1/TXD0	SH_TX	PW365 Tx		O
132	PA2/SCK0/DREQ0/IRQ0				
133	PA3/RXD1	Rx	RS232C Rx		I
134	PA4/TXD1	Tx	RS232C Tx		O
135	VCC	5V			
136	PA5/SCK1/DREQ1/IRQ1	USB INTR	USB Interrupt Signal Input	Active L	I
137	PE7/TIOC2B	SDA 5	IIC Bus 5 Data		I/O
138	PE8/TIOC3A	SCL 5	IIC Bus 5 Clock		I/O
139	PE9/TIOC3B	SDATA OUT	Single to Dual converter Enhancer Data Output Signal		O
140	PE10/TIOC3C	SCLK	Single to Dual converter Enhancer Clock Output Signal		O
141	VSS	Gnd			
142	PE11/TIOC3D	EXP RESET	I / O Expander	Active H	O
143	PE12/TIOC4A	R/C	R / C Input	Active L	I
144	PE13/TIOC4B/MRES	PW RESET	PW365 Reset Signal	Active L	O

CPU and I/O-Expander Control port functions

<i>I/O Expander Control port functions (IC1801 64 pin)</i>						J/C
<i>Pin No.</i>	<i>Name</i>	<i>Function Name</i>	<i>Function</i>	<i>Polarity</i>	<i>I/O</i>	
1	PF6	BLAST_SW3	Lamp Ballast 3 On/Off SW *	ON = H	O	
2	PF7	BLAST_SW4	Lamp Ballast 4 On/Off SW *	ON = H	O	
3	Vcc	Vcc	5V ±10%		-	
4	PE0	LENS_UP	Lens Up		O	
5	PE1	LENS_DOWN	Lens Down		O	
6	PE2	LENS_RIGHT	Lens Right *		O	
7	PE3	LENS_LEFT	Lens Left *		O	
8	PE4	FOCUS+	Focus +		O	
9	PE5	FOCUS-	Focus -		O	
10	PE6	ZOOM+	Zoom +		O	
11	PE7	ZOOM-	Zoom -		O	
12	GND3	GND			-	
13	PB0	LENS_TOP	Lens Top Detection	Top= " L "	I	
14	PB1	LENS_VC	Lens U/D Center Detection	Center= Edge	I	
15	PB2	LENS_BOT	Lens Bottom Detection	Bottom= "L"	I	
16	PB3	LENS_RE	Lens Right Detection *	Right= "L"	I	
17	PB4	LENS_HC	Lens R/L Detection *	Center= Edge	I	
18	PB5	LENS_LE	Lens Left Detection *	Left= "L"	I	
19	PB6	SEL_CTIN1	SEL_CTIN1	INIT	I	
20	PB7	SEL_CTIN2	SEL_CTIN2	DONE_SEL	I	
21	PA7				O	
22	PA6				O	
23	PA5				O	
24	PA4	RESET	FPGA Reset	Low->High Reset	O	
25	PA3				O	
26	PA2	50_60_SW	50/60Hz Select SW	50Hz= "L"	O	
27	PA1	CG_SW	CG Select SW	CG= "H"	O	
28	PA0	COMP_SW	COMPONENT Select SW	COMPO= "L"	O	
29	Vcc	Vcc	5V ±10%		-	
30	RD	READ_CPU	Read Select	Active "L"	I	
31	WR	WRITE_CPU	Write Select	Active "L"	I	
32	CS	CS_EXP	Chip Select	Active "L"	I	
33	RESET	EXP_RST	Reset	Active "H"	I	
34	GND1	GND			-	
35	A2	A2CPU	Port Select 2		I	
36	A1	A1CPU	Port Select 1		I	
37	A0	A0CPU	Port Select 0		I	
38	D0	D0CPU	Data Bus 0		I/O	
39	D1	D1CPU	Data Bus 1		I/O	
40	D2	D2CPU	Data Bus 2		I/O	
41	D3	D3CPU	Data Bus 3		I/O	
42	D4	D4CPU	Data Bus 4		I/O	
43	D5	D5CPU	Data Bus 5		I/O	
44	D6	D6CPU	Data Bus 6		I/O	
45	D7	D7CPU	Data Bus 7		I/O	
46	PC7	SLOT_SEL1	Slot select 1		O	
47	PC6	SLOT_SEL2	Slot select 2		O	
48	PC5				O	
49	PC4	AUDIO_MUTE	Mute Output		O	
50	PC0	LAMP1	PFC 1 On/Off SW *	ON = H	O	
51	PC1	LAMP2	PFC 2 On/Off SW *	ON = H	O	
52	PC2	LAMP3	PFC 3 On/Off SW *	ON = H	O	
53	PC3	LAMP4	PFC 4 On/Off SW *	ON = H	O	
54	PG0	LAMP1_ERR	Lamp monitor 1 *	Abnormality "H"	I	
55	PG1	LAMP_ERR	Lamp monitor 2 *	Abnormality "H"	I	
56	PG2	LAMP3_ERR	Lamp monitor 3 *	Abnormality "H"	I	
57	PG3	LAMP4_ERR	Lamp monitor 4 *	Abnormality "H"	I	
58	GND2	GND			-	
59	PF0	TEMP_LED	Temp Warning LED Drive	LED ON = "L"	O	
60	PF1	LAMP_LED	Lamp Replacement LED Drive	LED ON = "L"	O	
61	PF2	READY_LED	Ready LED Drive	LED ON = "L"	O	
62	PF3	SP_SW	Speaker on/off Switch	"L":ON "H":OFF	O	
63	PF4	BLAST_SW1	Lamp Ballast 1 On/Off SW *	ON = H	O	
64	PF5	BLAST_SW2	Lamp Ballast 2 On/Off SW *	ON = H	O	

CPU and I/O-Expander Control port functions

Output Expander Control port functions (IC1822 20 pin)

Pin No.	Name	Function Name	Function	Polarity	I/O
1	OE	EXP_RST			
2	O0	SCONFIG	Single to Dual converter Enhancer CONFIG Signal		O
3	D0		Data Bus 0		
4	D1		Data Bus 1		
5	O1	IP_RESET	IP_RESET		O
6	O2	PROGRAM	PROGRAM		O
7	D2		Data Bus 2		
8	D3		Data Bus 3		
9	O3	USB_BRST	USB on-off		O
10	GND		GND		
11	CP				
12	O4	BUS_SW1	BUS Select SW1		O
13	D4		Data Bus 4		
14	D5		Data Bus 5		
15	O5	BUS_SW2	BUS Select SW2		O
16	O6	BUS_SW3	BUS Select SW3		O
17	D6		Data Bus 6		
18	Çc7		Data Bus 7		
19	O7	SSTB	Single to Dual converter Enhancer STB Signal		O
20	Vcc		+5V		

I/O Expander Control port functions (IC9021 16 pin)

Pin No.	Name	Function Name	Function	Polarity	I/O
1	SO	S0	Serial Data Output		O
2	SCL	IIC BUS SCL			I
3	SDA	IIC BUS SDA			I/O
4	D0	M-IDA1	Slot 1 Type Detection 1		I
5	D1	M-IDA2	Slot 2 Type Detection 1		I
6	D2	M-IDA3	Slot 3 Type Detection 1		I
7	D3	M-IDA4	Slot 4 Type Detection 1		I
8	Vss	GND			-
9	D4	M-IDB1	Slot 1 Type Detection 2		I
10	D5	M-IDB2	Slot 2 Type Detection 2		I
11	D6	M-IDB3	Slot 3 Type Detection 2		I
12	D7	M-IDB4	Slot 4 Type Detection 2		I
13	Vdd		5V ±10%		-
14	CS2	CS2			I
15	CS1	CS1			I
16	CS0	CS0			I

I/O Expander Control port functions (IC9022 16 pin)

Pin No.	Name	Function Name	Function	Polarity	I/O
1	SO	S0	Serial Data Output		O
2	SCL	IIC BUS SCL			I
3	SDA	IIC BUS SDA			I/O
4	D0	M-IDC1	Slot 1 Type Detection 3		I
5	D1	M-IDC2	Slot 2 Type Detection 3		I
6	D2	M-IDC3	Slot 3 Type Detection 3		I
7	D3	M-IDC4	Slot 4 Type Detection 3		I
8	Vss	GND			-
9	D4	SLOT1 ID	SLOT1 ID		I
10	D5	SLOT2 ID	SLOT2 ID		I
11	D6	SLOT3 ID	SLOT3 ID		I
12	D7	SLOT4 ID	SLOT4 ID		I
13	VDD		5V ±10%		-
14	CS2	CS2			I
15	CS1	CS1			I
16	CS0	CS0			I

The cautions in schematic diagrams

■ 1. PRODUCT SAFETY NOTICE

THE COMPONENTS DESIGNATED BY A MARK (\triangle) IN THIS SCHEMATIC DIAGRAM DESIGNATE COMPONENTS WHOSE VALUES ARE OF SPECIAL SIGNIFICANCE TO PRODUCT SAFETY. SHOULD ANY COMPONENT DESIGNATED BY A MARK NEED TO BE REPLACED, USE ONLY THE PART DESIGNATED IN THE PARTS LIST. DO NOT DEVIATE FROM THE RESISTANCE, WATTAGE AND VOLTAGE RATINGS SHOWN.



■ 2. The cautions in collation of parts.

Specification of capacitor and resistors will be shown with coded symbols, reading code symbols following the chart and notes. Some capacitor and resistors will be shown directly with values and no other information. Detailed information on each capacitor and resistor will be shown in the list.

NOTE; DO NOT REPLACE OR ORDER RESISTOR AND CAPACITOR PARTS FOLLOWING THE SPECIFICATIONS SHOWN IN THE SCHEMATIC DIAGRAMS. ALWAYS CHECK FOR THE CORRECT SPECIFICATIONS IN THE PARTS LIST. ESPECIALLY FOR CRITICAL COMPONENT MARKED \triangle . SPECIAL ATTENTION MUST BE GIVEN TO CRITICAL COMPONENTS.

■ 3. Reading of parts.

Read resistor codes as follows:

1. All resistance values are indicated in ohms: K=1,000. M=1,000,000.
2. Resistor which is indicated with resistance value only are 1/6W carbon resistor. Resistor which is indicated with material tolerance and value are 1/4W rated wattage.

Read capacitor codes as follows:

1. For capacitors identified with \pm , values less than 1 are expressed in uF, values more than 1 are in pF.
2. For capacitors (electrolytic) identified with \mp , values are expressed in uF.

Voltage and waveforms were taken using a video color bar signal (1V p-p at 75 ohms terminated) and controls to normal.

Voltages were taken with a high-impedance voltmeter.

The cautions in schematic diagrams

Read description in the Capacitor and Resistor as follows:

CAPACITOR

16 K K 0.47 BA

Characteristic

Rated value

Material :

C	CERAMIC	Temperature compensating ceramic
K	CERAMIC	High dielectric rate ceramic
B	CERAMIC	Semiconductor ceramic
Z	MT-PAPER	Metallized paper
F	POLYESTER	Polyester
G	MT-POLYEST	Metallized polyester
N	POLYPRO	Polypropylene
M	MT-POLYPRO	Metallized polypropylene
Y	COMPO FILM	Composite film
H	MT-COMPO	Metallized composite film
S	STYRENE	Styrol
T	TA-SOLID	Tantalum oxide solid electrolytic
A	AL-SOLID	Aluminum solid electrolytic
E	ELECT	Aluminum foil electrolytic
P	NP-ELECT	Non-polarized electrolytic
U	OS-SOLID	Aluminum solid capacitors with organic semiconductive electrolyte
V	POS-SOLID	Polymerized organic semiconductor
D	DL-ELECT	Electric double layer electrolytic
J	AL-SOLID	Aluminum manganese wind solid
L	PPS-FILM	Polyphenylene sulfide film
Q	MT-PPS-FILM	Metallized Polyphenylene sulfide film
R	MT-PEN-FILM	Metallized polyethylenenaphthalate film
W	EP-ELECT	Electric Conductor Polymerized Aluminum foil electrolytic
X	CAPACITOR	Other

Rated Voltage

Tolerance Symbols

Static capacitance of 10PF or less

A:	Nondesignated
B:	±0.1PF
C:	±0.25PF
D:	±0.5PF
F:	±1PF
G:	±2PF
H:	+0.1 ~ -0PF
L:	+0 ~ -0.1PF
R:	+0.25 ~ -0PF
S:	+0 ~ -0.25PF
E:	+0 ~ -1PF
J:	±5%
K:	±10%
M:	±20%

Note: J, K, and M are used only for tubular Ceramic Capacitors

Static capacitance of more than 10PF

A:	Nondesignated
B:	±0.1%
C:	±0.25%
D:	±0.5%
F:	±1%
G:	±2%
E:	±2.5%
H:	±3%
J:	±5%
K:	±10%
L:	±15%
M:	±20%
N:	±30%
P:	+100 ~ -0%
Q:	+30 ~ -10%
R:	+20 ~ -0%
T:	+50 ~ -10%
U:	+75 ~ -10%
V:	+20 ~ -10%
W:	+100 ~ -10%
X:	+40 ~ -20%
Y:	+150 ~ -10%
Z:	+80 ~ -20%

FIXED RESISTOR

1/10 G J 100K

Rated value, ohms : K: $\times 1,000$ ohms.
M: $\times 1,000,000$ ohms

Material :

D	CARBON	Carbon film fixed
N	MT-FILM	Metal film fixed
S	OXIDE-MT	Metal oxide film fixed
C	SOLID	Solid
G	MT-GLAZE	Metal glaze type fixed
W	WIRE WOUND	Power type covered wiring fixed
H	CERAMIC RES	Ceramic fixed
F	FUSIBLE RES	Fusible
X	RESISTOR	Used for "others"

Rated Wattage

Tolerance Symbols:

A:	±0.05%
B:	±0.1%
C:	±0.25%
D:	±0.5%
F:	±1%
G:	±2%
J:	±5%
K:	±10%
M:	±20%
P:	+5 ~ -15%
Z:	Use when 0 ohm

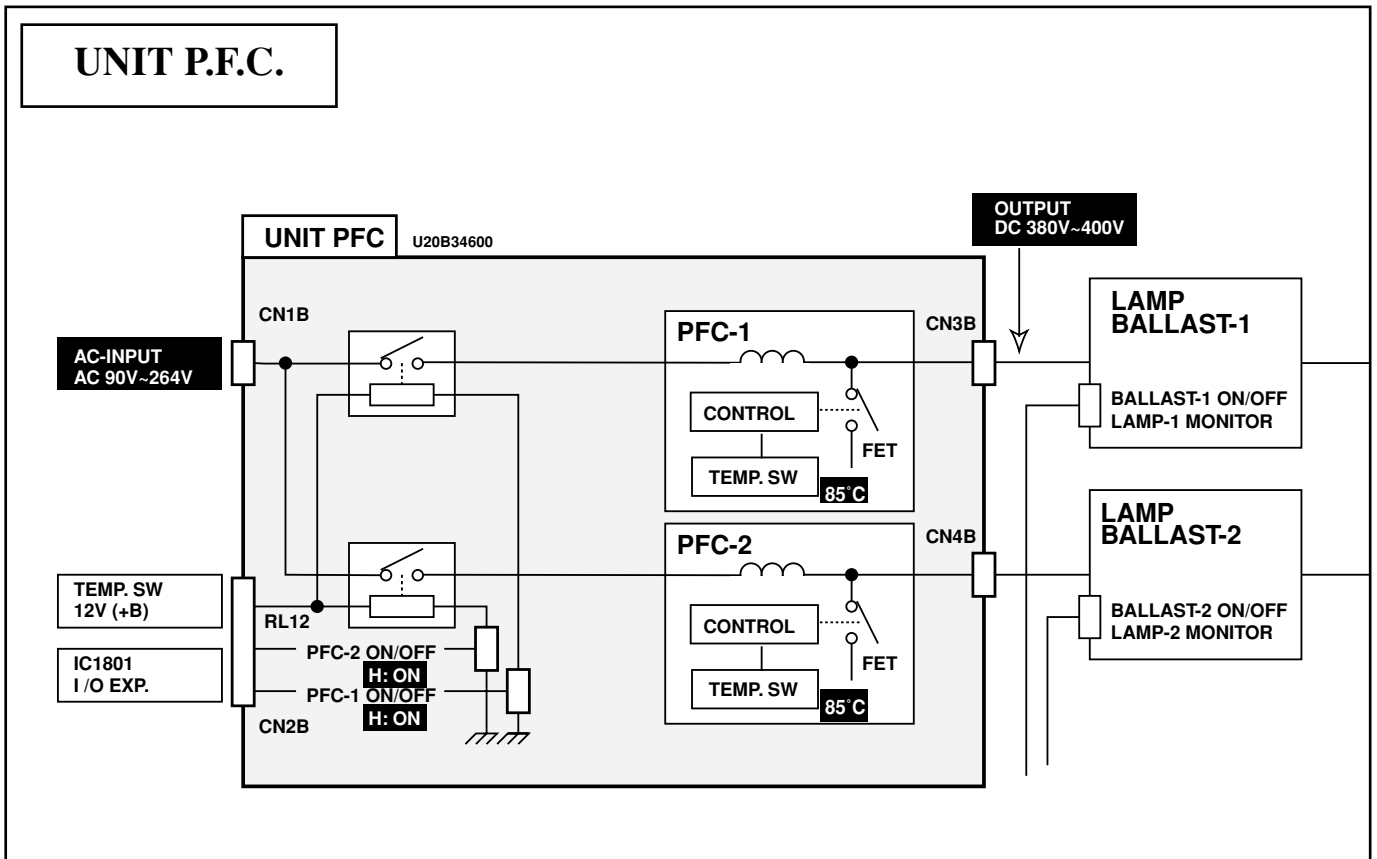
Chip transistor (list of replaceable)

Mark	AJ
	2SA1179-M6
	2SA1179-M7
	2SA1037K-R
	2SA1037K-S
	2SA1037AK-R
	2SA1037AK-S

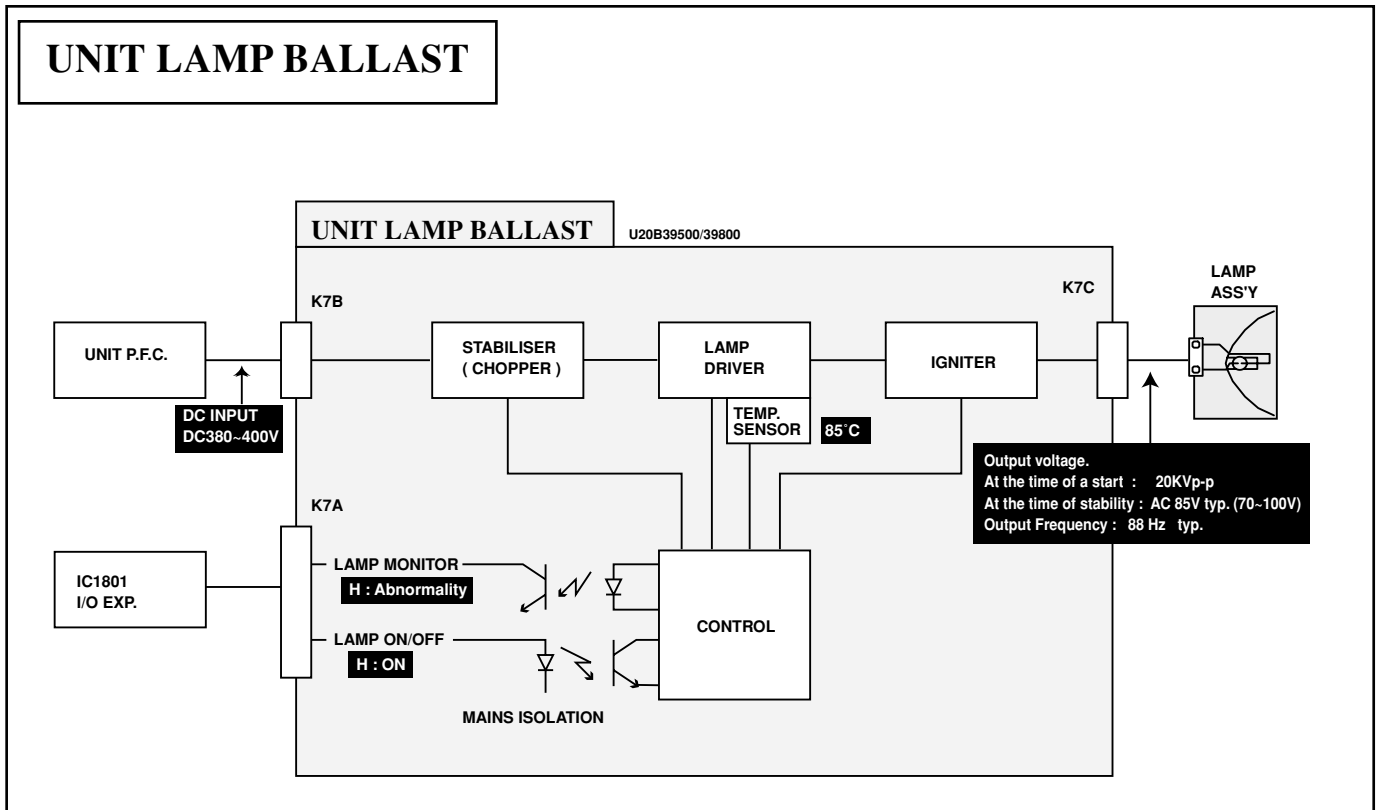
Mark	AH
	2SC2812-L6
	2SC2812-L7
	2SC2412K-R
	2SC2412K-S

UNIT P.F.C., UNIT LAMP BALLAST and IC BLOCK DIAGRAMS

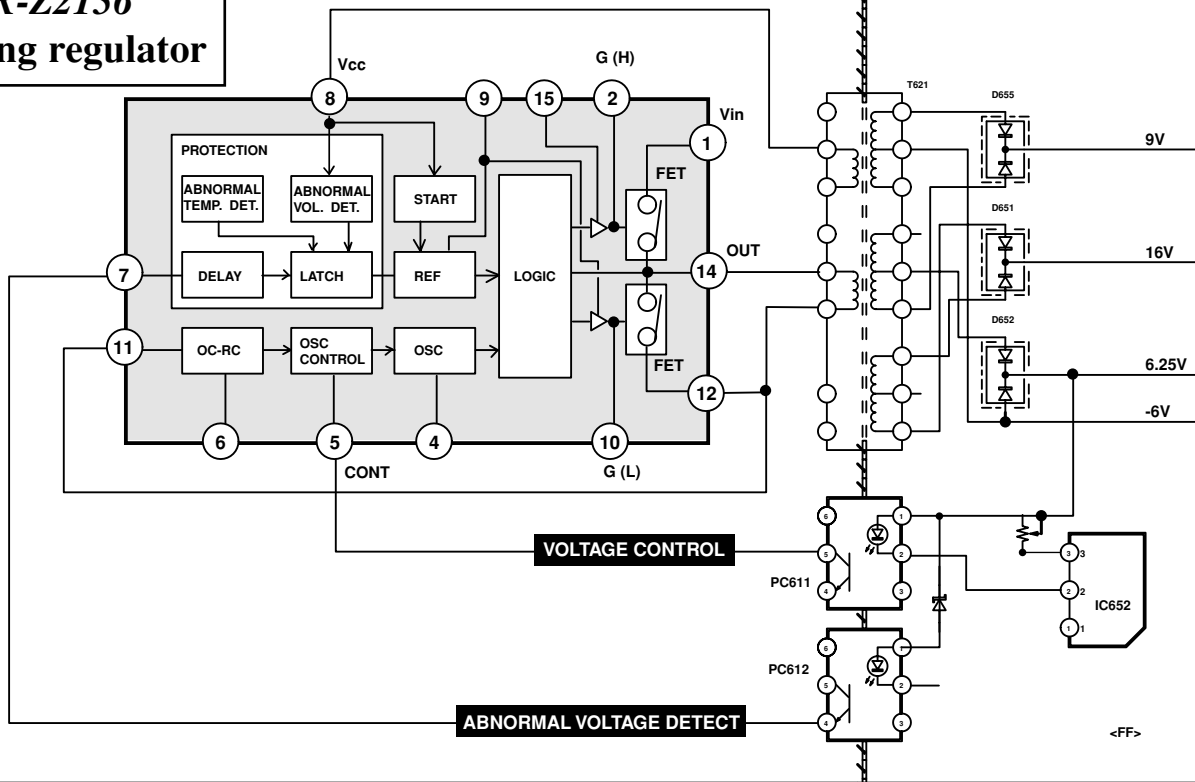
UNIT P.F.C.



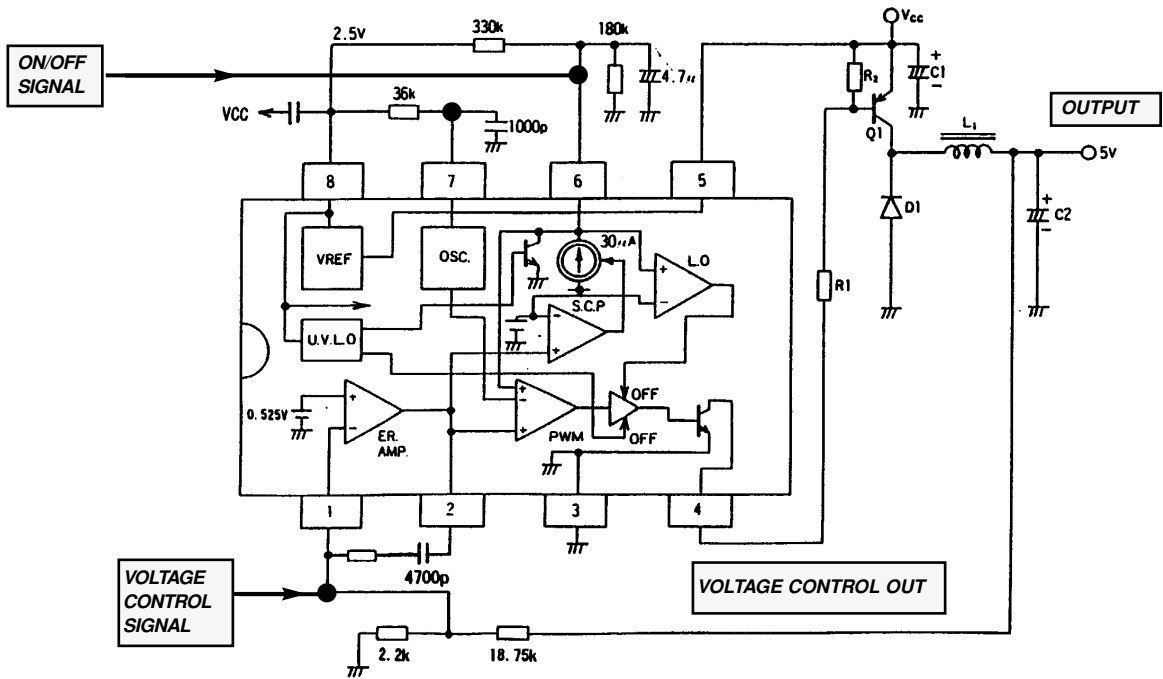
UNIT LAMP BALLAST



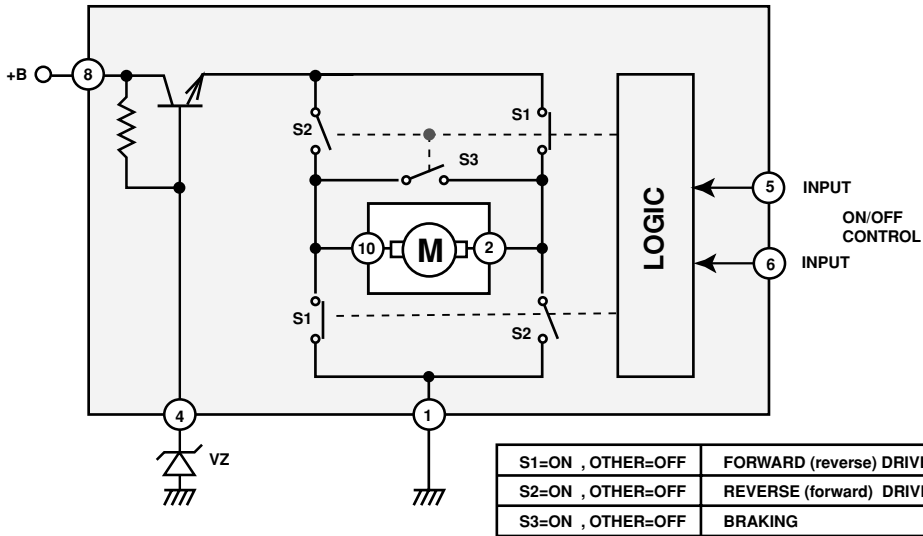
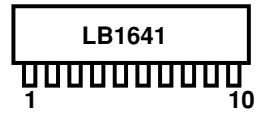
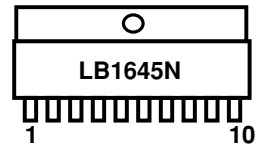
STR-Z2156 Switching regulator



FA7612CN PWM POWER CONTROL



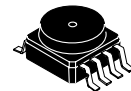
LB1641/1645N MOTOR DRIVER



<FF>

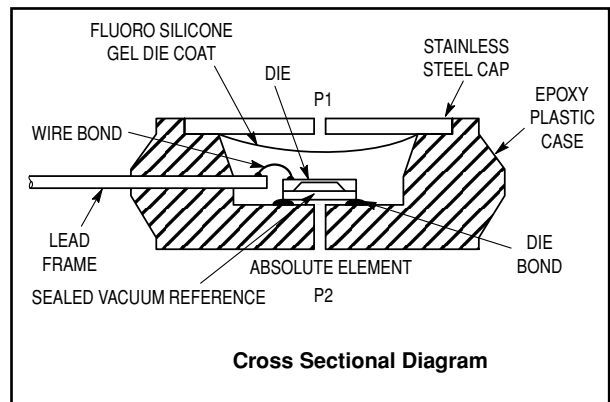
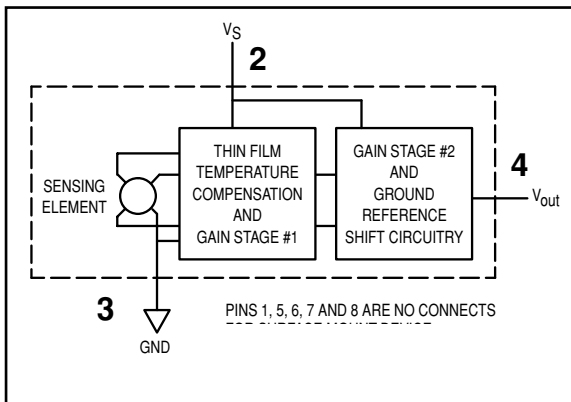
MPXA4115A Pressure sensor for altimeter

SMALL OUTLINE
PACKAGE



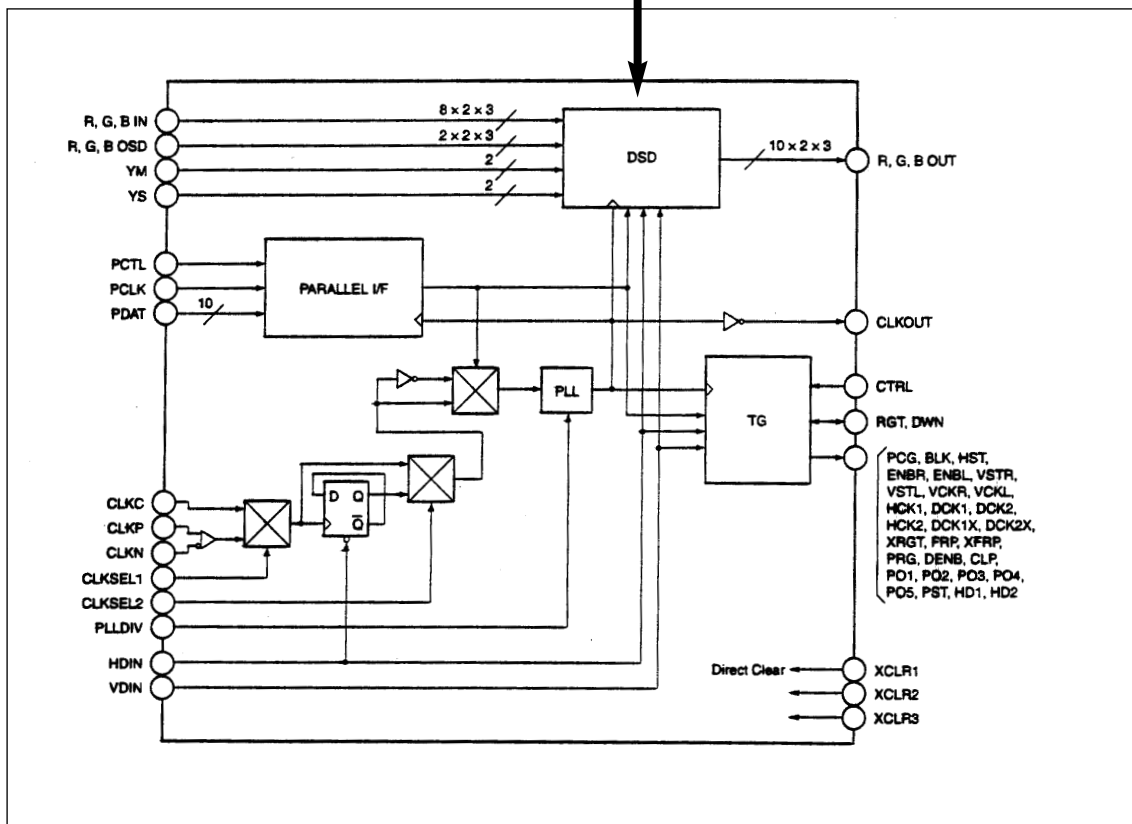
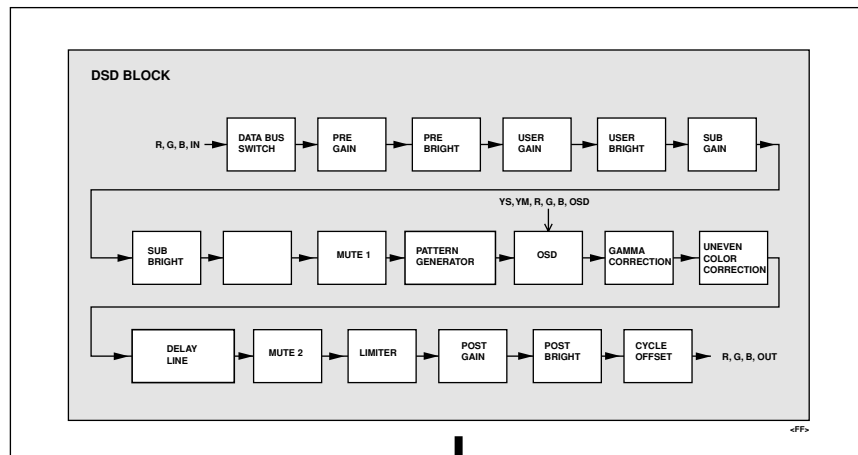
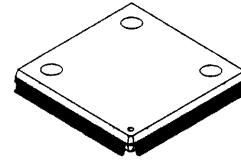
PPXA4115A
CASE 482-01

<FF>



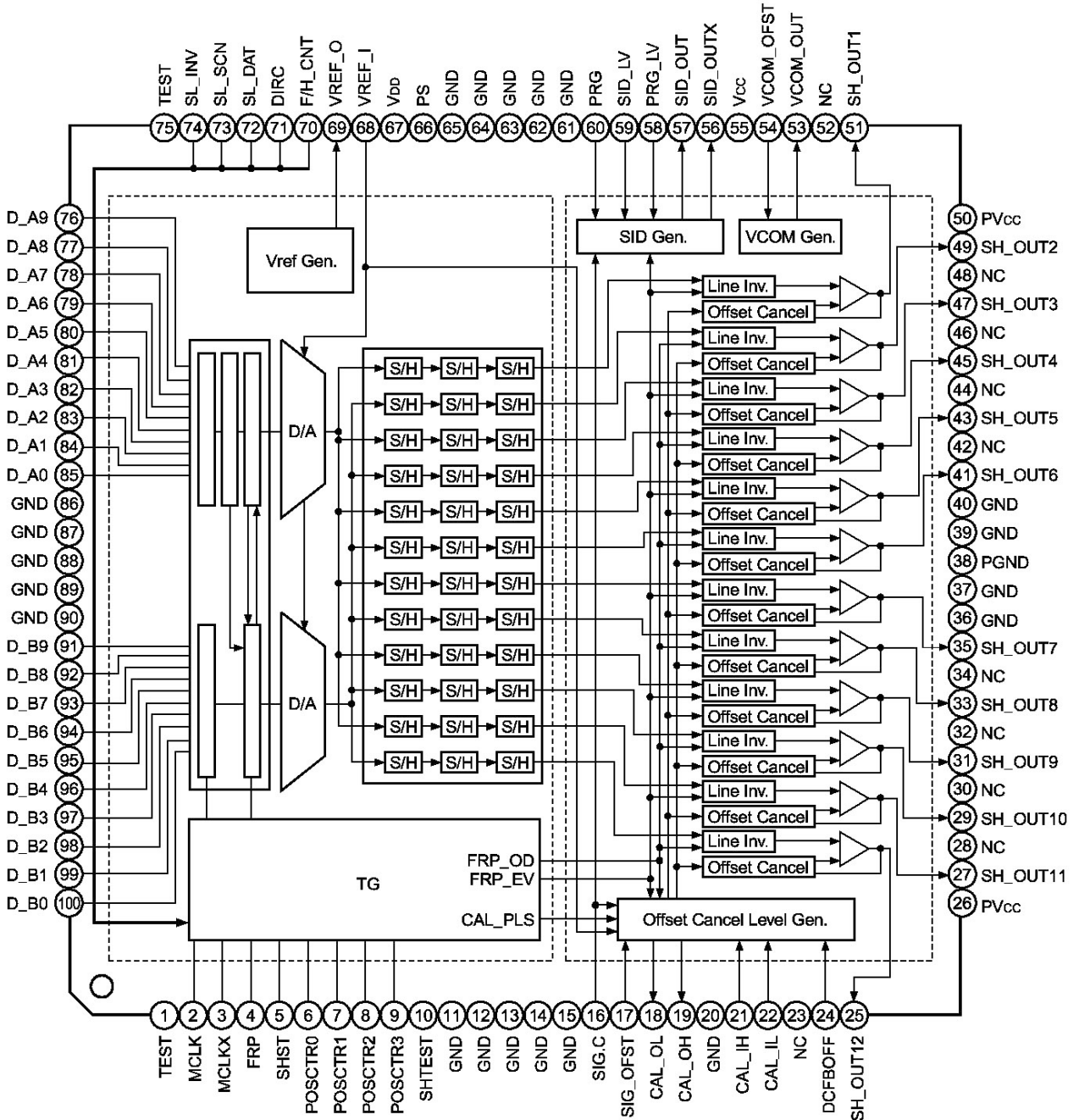
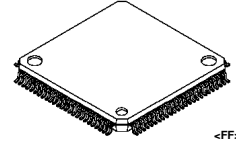
CXD3511Q DIGITAL SIGNAL DRIVER

240 pin QFP (Plastic)



CXA3562R LCD DRIVER

100 pin LQFP (Plastic)



Parts list

■ **PRODUCT SAFETY NOTICE**

Product safety should be considered when a component replacement is made in any area of a Projector. Components indicated by a \triangle mark in this parts list and the schematic diagram show components whose value have special significance to product safety. It is particularly recommended that only parts specified on the following parts list be used for components replacement pointed out by the mark.

Note:
Part order must contain Chassis No., Part No., and descriptions.

■ **Readjustments after parts replacement.**

J/C

-- Assembly Power --

- When it is replaced to the new assembly power.
- * Factory adjustment of the new assembly power has completed. Readjustment is unnecessary.
- When the component parts of assembly-power are replaced.
- * Readjust the following adjustment item.
 1. DC voltage adjustment.

-- Terminal board AV --

- When it is replaced to the new terminal-board-AV.
- * Factory adjustments of the new terminal-board-AV have completed. Readjustments are unnecessary.
- When the component parts of terminal-board-AV are replaced.
- * Readjust the following adjustment items.
 2. AV Video signal adjustments
 3. 3DNR-PLL Lock check
 4. AV Color and Tint adjustments

-- Terminal board component --

- When it is replaced to the new terminal-board-component.
- * Factory adjustment of the new terminal-board-component has completed. Readjustment is unnecessary.
- When the component parts of terminal-board-component are replaced.
- * Readjust the following adjustment item.
 5. Component Video signal adjustments

-- Unit-lamp-ballast --

- In case this unit is fault, replace the unit completely, do not replace the individual component. Readjustment is unnecessary.

-- Unit-PFC. --

- In case this unit is fault, replace the unit completely, do not replace the individual component. Readjustment is unnecessary.

-- Assembly Sub power --

- When it is replaced to the new assembly-sub-power or when component parts are replaced. * Readjust the following adjustment item.
 6. Fans driving voltage adjustments

Assembly-main.

■ **Replace memory ICs in the following procedure.**

1. Remove IC871 and IC1811 from an old (damaged) assembly-main.
2. Attach IC removed to new assembly-main. The data recorded is all taken over to a new assembly-main, readjustment is unnecessary.

■ **When ICs are not replaced.**

- (1). The life data of a lamp starts from an initial value compulsorily. Manually, this life data cannot be set up.
- (2). Readjust the following adjustment items.
 6. Fans driving voltage adjustments
 7. Video center DC adjustments
 8. PSIG signal adjustments
 9. PC pedestal level adjustments
 10. PC contrast adjustments-1
 11. AV pedestal level adjustment
 12. AV contrast adjustments-2
 13. Panel driving signal adjustments -AV
 14. Panel driving signal adjustments -PC
 15. Flicker reduction.
 16. White balance adjustments

-- The component parts inside the optical unit -- (Parts no. 104~107, 110~113 and 126~127.)

- When the optical component parts inside the optical unit are replaced.
- * Check the following adjustment items.
 - Integrator-lens-in adjustment-1
 - Integrator-lens-out adjustment
 - Integrator-lens-in adjustment-2
 - Condenser-lens adjustment
 - Relay-lens adjustment
 - Prism-P.B.S. adjustment
 - Polarizer. adjustment

J/C

-- Relay-lens --

- When the relay-lens is replaced.
- * Readjust the following adjustment item.
 - Relay-lens adjustment

-- Condenser-lens --

- When the Condenser-lens is replaced.
- * Readjust the following adjustment item.
 - Condenser-lens adjustment

-- Integrator-lens-in --

- When the integrator-lens-in is replaced.
- * Readjust the following adjustment items.
 - Integrator-lens-in adjustment-1
 - Integrator-lens-in adjustment-2

Integrator-lens-in adjustment-1
Integrator-lens-in adjustment-2

-- Prism / LCD panel Assembly --

- When the Assembly LCD-panel/prism is replaced.
- * Readjust the following adjustment items.
 - Focus of LCD Panel adjustment
 - 15. Flicker reduction
 - 16. White balance adjustments

Focus of LCD Panel adjustment
15. Flicker reduction
16. White balance adjustments

-- Integrator-lens-out and prism-PBS --

- When the integrator-lens-out and prism-PBS are replaced.
- * Readjust the following adjustment item.
 - Integrator-lens-out adjustment
 - Prism-P.B.S. adjustment

-- Polarization-glasses--

- When the Polarization-glasses are replaced.
- * Readjust the following adjustment item.
 - Polarizer adjustment

Read description in the Capacitor and Resister as follows:

**CAPACITOR
CERAMIC 100P K 50V**

Rated Voltage

Rated value: P=Pico farad, U=Micro farad

Material :	CERAMIC	Temperature compensating ceramic
		High dielectric rate ceramic
		Semiconductor ceramic
MT-PAPER		Metallized paper
POLYESTER		Polyester
MT-POLYEST		Metallized polyester
POLYPRO		Polypropylene
MT-POLYPRO		Metallized polypropylene
COMPO FILM		Composite film
MT-COMPO		Metallized composite film
STYRENE		Styrol
TA-SOLID		Tantalum oxide solid electrolytic
AL-SOLID		Aluminum solid electrolytic
ELECT		Aluminum foil electrolytic
NP-ELECT		Non-polarized electrolytic
OS-SOLID		Aluminum solid capacitors with organic semiconductive electrolyte
POS-SOLID		Polymerized organic semiconductor
DL-ELECT		Electric double layer electrolytic
AL-SOLID		Aluminum manganese wind solid
PPS-FILM		Polyphenylene sulfide film
MT-PPS-FILM		Metallized Polyphenylene sulfide film
MT-PEN-FILM		Metallized polyethylenenaphthalate film
EP-ELECT		Electric Conductor Polymerized Aluminum foil electrolytic
CAPACITOR		Other

Tolerance Symbols

Static capacitance of 10PF or less

A:	Nondesignated
B:	±0.1PF
C:	±0.25PF
D:	±0.5PF
F:	±1PF
G:	±2PF
H:	+0.1 ~ -0PF
L:	+0 ~ -0.1PF
R:	+0.25 ~ -0PF
S:	+0 ~ -0.25PF
E:	+0 ~ -1PF
J:	±5%
K:	±10%
M:	±20%

Note: J, K, and M are used only for tubular Ceramic Capacitors

Static capacitance of more than 10PF

A:	Nondesignated
B:	±0.1%
C:	±0.25%
D:	±0.5%
F:	±1%
G:	±2%
E:	±2.5%
H:	±3%
J:	±5%
K:	±10%
L:	±15%
M:	±20%
N:	±30%
P:	+100 ~ -0%
Q:	+30 ~ -10%
R:	+20 ~ -0%
T:	+50 ~ -10%
U:	+75 ~ -10%
V:	+20 ~ -10%
W:	+100 ~ -10%
X:	+40 ~ -20%
Y:	+150 ~ -10%
Z:	+80 ~ -20%

**FIXED RESISTER
CARBON 4.7K J A 1/4W**

Rated Wattage

Rated value, ohms : K: X1,000 ohms. M: X1,000,000 ohms

Material :	CARBON	Carbon film fixed
	MT-FILM	Metal film fixed
	OXIDE-MT	Metal oxide film fixed
	SOLID	Solid
	MT-GLAZE	Metal glaze type fixed
	WIRE WOUND	power type covered wiring fixed
	CERAMIC RES	Ceramic fixed
	FUSIBLE RES	Fusible
	RESISTER	Used for "others"

Tolerance Symbols:

A:	±0.05%
B:	±0.1%
C:	±0.25%
D:	±0.5%
F:	±1%
G:	±2%
J:	±5%
K:	±10%
M:	±20%
P:	+5 ~ -15%
Z:	Use when 0 ohm

Performance Symbols:

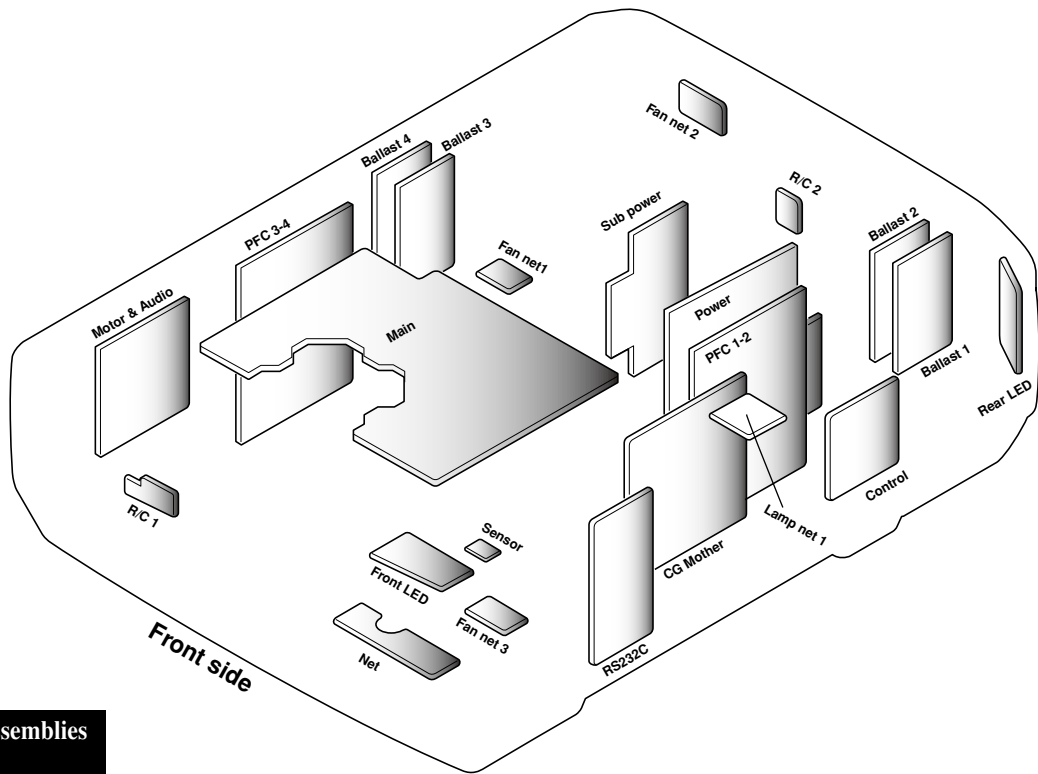
A:	General
B:	Flame retardance (including noncombustible)
Z:	Low noise (Less than 100Kohms : 0.3uV/V, 100Kohms to 1Mohm : 0.5uV/V, More than 1Mohm : 1.0uV/V)

C~Y : Temperature characteristics

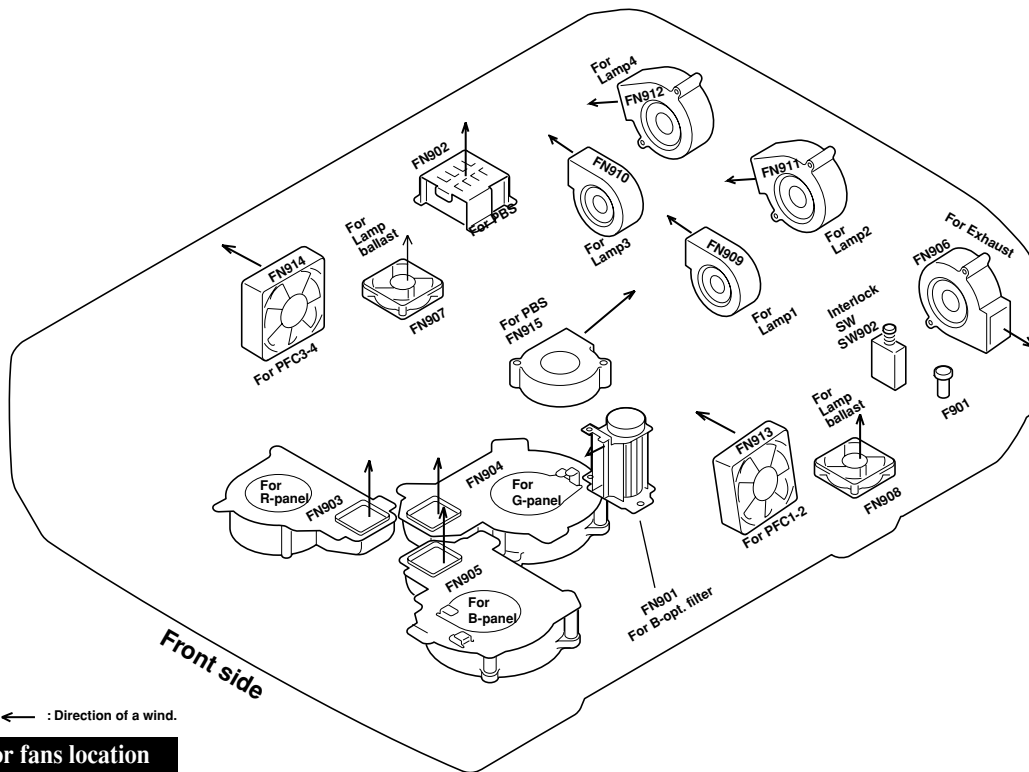
T:	±10ppm/°C
U:	±25ppm/°C
C:	±50ppm/°C
D:	±100ppm/°C
E:	±200ppm/°C
F:	±250ppm/°C
G:	±350ppm/°C
H:	±1000ppm/°C±10%
W:	±1200ppm/°C±10%
Y:	±1400ppm/°C±10%
J:	±2000ppm/°C±10%
K:	±2400ppm/°C±10%
L:	±2700ppm/°C±10%
M:	±3000ppm/°C±10%
N:	±3300ppm/°C±10%
P:	±3600ppm/°C±10%
Q:	±3900ppm/°C±10%
R:	±4200ppm/°C±10%
S:	±4300ppm/°C±10%
V:	±4500ppm/°C±10%
X:	±800ppm/°C±150ppm/°C
O:	+500ppm/°C ~ -250ppm/°C

Note :

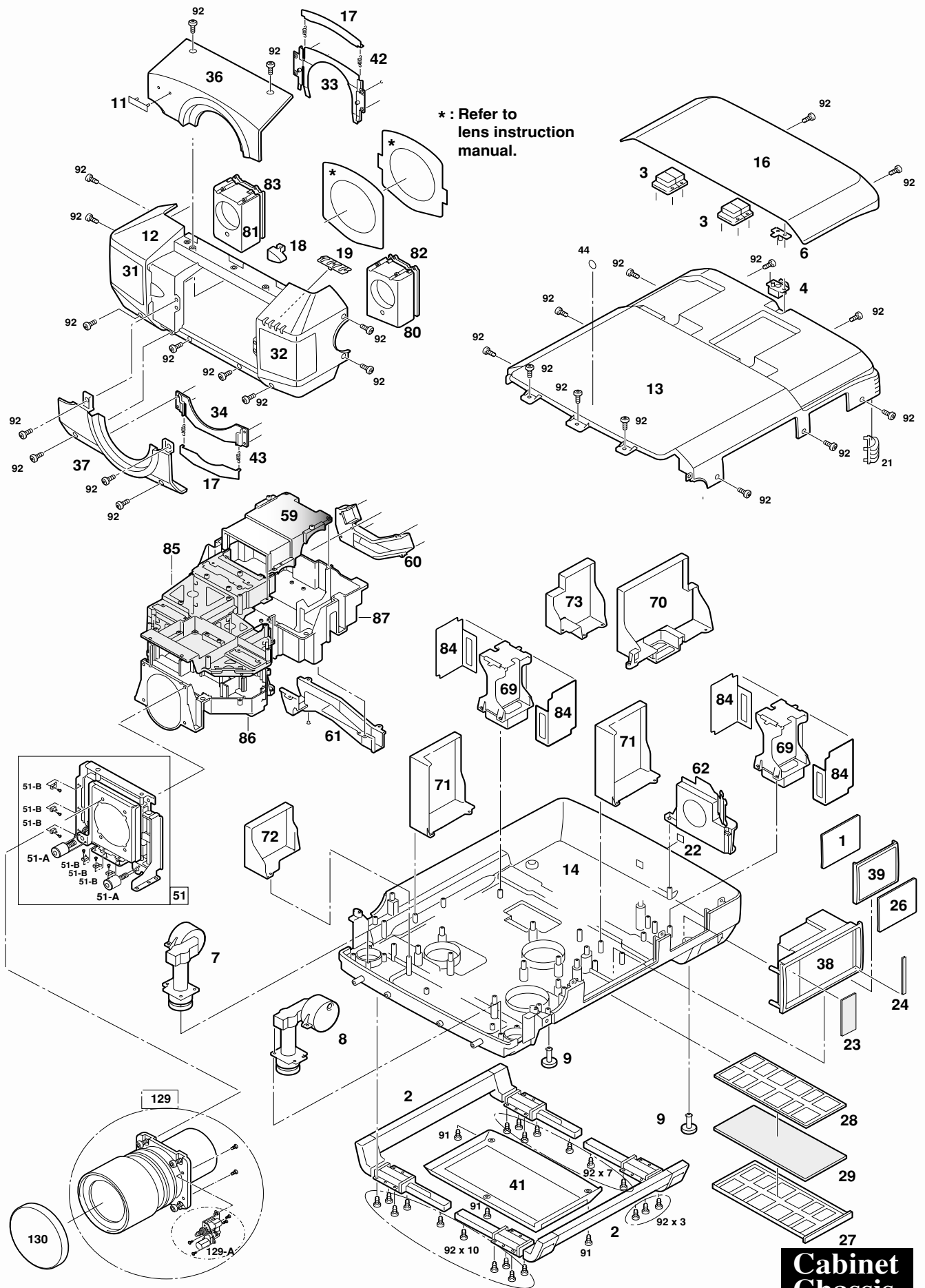
- "General" (symbol A) means properties for which there are some differences among manufacturers but which can be used when within the range given in the catalogs.
- Parts for which temperature characteristics are especially designated (required) due to design are indicated by "temperature characteristic classifications" (symbol C to Y). Others are indicated by "General" (symbol A).
- What are called "cement resistors" are noncombustible, so are indicated as "General"(symbol A), not "Flame retardant (including noncombustible)"(symbol B)



PWB assemblies location

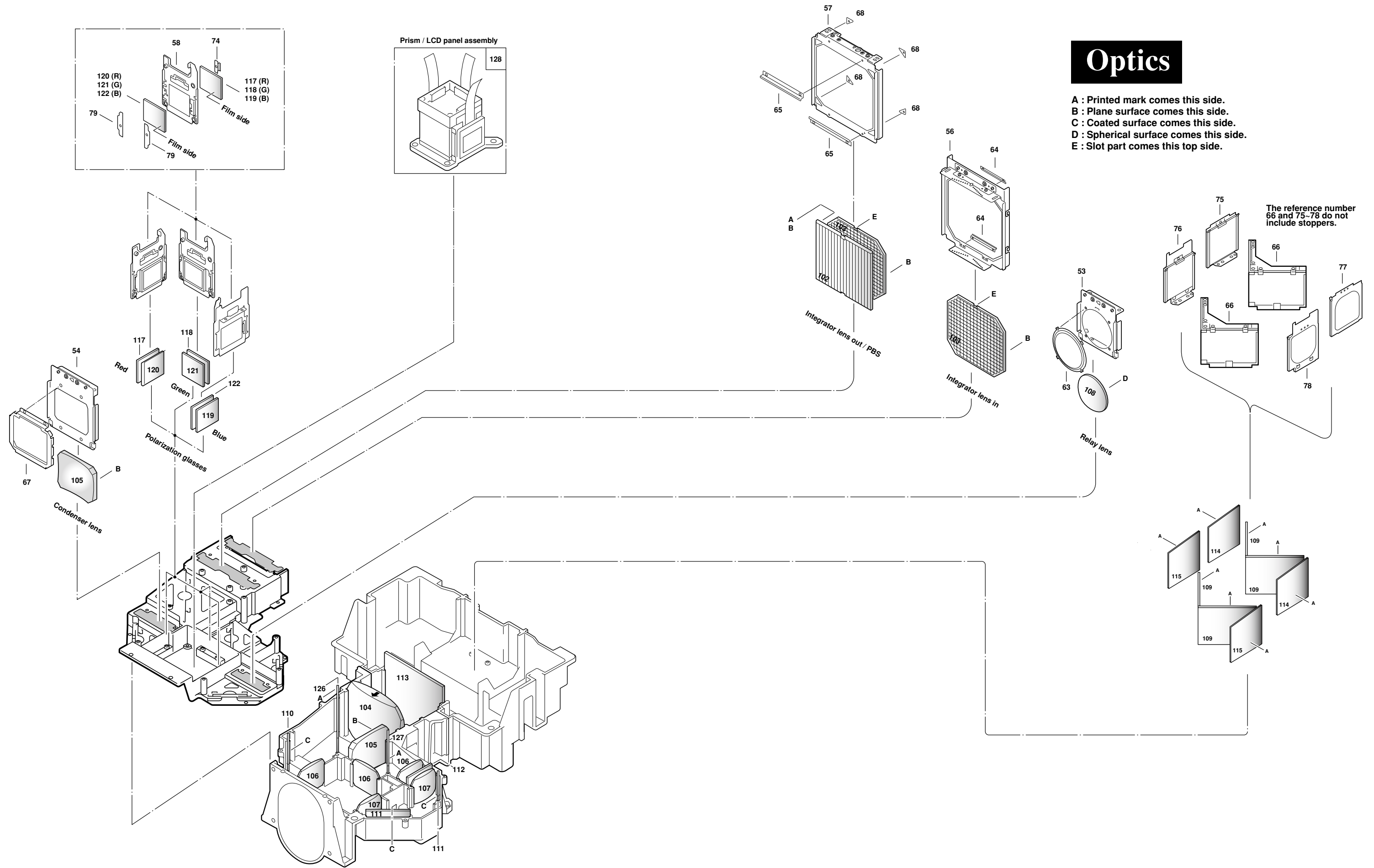


Motor fans location



Optics

- A : Printed mark comes this side.
- B : Plane surface comes this side.
- C : Coated surface comes this side.
- D : Spherical surface comes this side.
- E : Slot part comes this top side.



Cabinet and Optical Parts List

Ref. No.	Part No.	Description	Ref. No.	Part No.	Description
*****			*****		
CABINET PARTS <small>005MC8A</small>			SCREWS <small>010ML6A</small>		
1.	610 283 7070	ASSY,BUTTON-MJ6A	91.	411 180 2904	SCR S-TPG BIN 4X10
2.	610 284 2432	COMPL HANDLE A-MJ6A	92.	411 102 2203	SCR BIN 4X8
3.	610 283 5663	ASSY HINGE- MJ6A	*****		
4.	610 284 4610	COMPL LATCH PUSH A -MJ6A	OPTICAL PARTS <small>014MC8A</small>		
6.	610 284 5938	ASSY LATCH PUSH B -MJ6A	102.	645 041 2660	ASSY, PRISM (PBS)
7.	610 283 0521	COMPL,STAND LEG A-MJ6A	103.	645 041 2707	LENS, INTEGRATOR
8.	610 283 7667	COMPL,STAND LEG B-MJ6A	104.	645 050 8677	LENS, CONDENSER (IN)
9.	610 284 2876	ASSY,STAND LEG R-MJ6A	105.	645 041 2721	LENS, CONDENSER (OUT)
11.	645 034 8228	BADGE,SANYO*53.5X12L53.5	106.	645 041 2738	LENS, CONDENSER (G)
12.	610 283 4611	CABINET FRONT-MJ6A	107.	645 041 2868	LENS, RELAY (IN)
13.	610 292 0321	CABINET TOP A-MJ6A *	108.	645 041 2875	LENS, RELAY (OUT)
14.	610 294 1890	CABINET BOTTOM A-MJ6A	109.	645 041 2745	MIRROR (COLD)
16.	610 292 0406	COVER TOP A-MJ6A	110.	645 047 1841	MIRROR (R)
17.	610 284 2487	COVER LNS A-MJ6A	111.	645 047 1858	MIRROR (B-COLD)
18.	610 283 5717	DEC INLAY R/C F-MJ6A	112.	645 049 3034	OPTICAL FILTER (UV CUT)
19.	610 283 5724	DEC INLAY A-MJ6A	113.	645 049 3041	OPTICAL FILTER
21.	610 283 5731	DEC INLAY B-MJ6A	114.	645 043 8516	OPTICAL FILTER
22.	610 284 0001	DEC INLAY R/C R-MJ6A	115.	645 043 8523	OPTICAL FILTER
23.	610 284 2883	DEC COMP SHEET A-MJ6A	117.	645 041 2837	POLARIZATION GLASS (HIN/R)
24.	610 284 2890	DEC COMP SHEET B-MJ6A	118.	645 041 2882	POLARIZATION GLASS (HIN/G)
26.	610 295 4463	DEC CONT SHEET AA-MJ6A	119.	645 048 2434	POLARIZATION GLASS (HIN/B)
27.	610 283 4673	FILTER BASE A-MJ6A	120.	645 044 2322	POLARIZATION GLASS (IN/R)
28.	610 285 1274	FILTER TOP-MJ6A	121.	645 043 7021	POLARIZATION GLASS (IN/G)
29.	610 283 4680	FILTER NET A-MJ6A	122.	645 048 2458	POLARIZATION GLASS (IN/B)
31.	610 283 5762	GRILLE SP L-MJ6A	126.	645 041 2844	DICHROIC MIRROR (C)
32.	610 283 5779	GRILLE SP R-MJ6A	127.	645 048 6050	DICHROIC MIRROR (Y/IA)
33.	610 284 2920	MOUNTING COVER LNS A-MJ6A	128.	610 296 8255	ASSY,LCD PNL/PRISM-MC8A *
34.	610 284 2937	MOUNTING COVER LNS B-MJ6A	129.	---	Projection lens is optional.
36.	610 283 4710	PANEL FRONT TOP-MJ6A	129-A	---	---
37.	610 283 4727	PANEL FRONT BTM-MJ6A	130.	---	Not used.
38.	610 283 4734	PANEL COMP A-MJ6A	*****		
39.	610 283 4741	PANEL CONT-MJ6A	SANYO -		
41.	610 283 5458	PANEL FILTER-MJ6A	*****		
42.	610 272 9238	SPRING COIL-M6MA	*****		
43.	610 285 1366	SPRING COIL-MJ6A	*****		
44.	610 289 1829	BADGE V MARK L-ML6A	*****		
*****			*****		
CHASSIS PARTS <small>006MC8A</small>					
51.	610 297 3884	COMPL,HOLDER LNS B-MJ6A			
51-A.	645 042 7343	ASSY,MOTOR (ML6A)			
51-B.	645 012 2422	SWITCH, LEVER			
53.	610 282 9846	COMPL,HOLDER REL A-MJ6A			
54.	610 282 9853	COMPL,HOLDER COND A-MJ6A			
56.	610 283 0484	COMPL,HOLDER INT A-MJ6A			
57.	610 283 0491	COMPL,HOLDER PBS A-MJ6A			
58.	610 295 4876	COMPL,HOLDER POL A-MJ6A			
59.	610 294 9810	COVER,MR A-MC8A *			
60.	610 294 3795	COVER,DUCT BA-MJ6A			
61.	610 294 3801	COVER,DUCT CA-MJ6A			
62.	610 284 6515	COVER,DUCT D-MJ6A			
63.	610 283 0613	HOLDER REL D-MJ6A			
64.	610 283 0620	HOLDER INT D-MJ6A			
65.	610 283 0866	HOLDER PBS D-MJ6A			
66.	610 292 2806	HOLDER,MR A-MJ6A			
67.	610 283 0668	HOLDER COND D-MJ6A			
68.	610 286 6414	HOLDER PBS E-MJ6A			
69.	610 292 6200	HOLDER LMP PWB A-MJ6A			
70.	610 294 5232	HOLDER POWER PWB A-MJ6A			
71.	610 283 5847	HOLDER FILTER PWB-MJ6A			
72.	610 284 7062	HOLDER AMP PWB-MJ6A			
73.	610 284 7079	HOLDER SUB PWB-MJ6A			
74.	610 295 5019	MOUNTING PLT B-MJ6A			
75.	610 290 0088	MOUNTING UV FILTER-A-ML6A			
76.	610 290 0095	MOUNTING UV FILTER-B-ML6A			
77.	610 290 0101	MOUNTING UV FILTER-C-ML6A			
78.	610 290 0118	MOUNTING UV FILTER-D-ML6A			
79.	610 295 5040	MOUNTING PLT A-MJ6A			
80.	610 283 5861	MOUNTING SP A-MJ6A			
81.	610 283 5878	MOUNTING SP B-MJ6A			
82.	610 284 6065	MOUNTING SP C-MJ6A			
83.	610 286 6650	MOUNTING SP D-MJ6A			
84.	610 289 2499	SPACER LMP PWB-MJ6A			
85.	610 283 5892	OPTICAL BASE TOP-MJ6A			
86.	610 283 9364	OPTICAL BASE BTM A-MJ6A			
87.	610 294 5546	OPTICAL BASE BTM B-MC8A *			
*****			*****		

Electrical Parts List

Ref. No.	Part No.	Description	Ref. No.	Part No.	Description
*****			405 163 1701	TR 2SC2812N-L7-TB0	
*****			INTEGRATED CIRCUIT		
		<i>Out of PWB assembly</i>	IC001	409 017 7208	IC LA4261
COIL			IC1601	409 114 4803	IC LB1641
▲ LF901	645 040 7628	UNIT, NOISE FILTER	IC1611	409 114 4803	IC LB1641
L901	645 050 8417	CORE, CLAMP	IC1621	409 085 1900	IC LB1645N
	645 044 3817	CORE, CLAMP	IC1631	409 085 1900	IC LB1645N
L902	645 050 8417	CORE, CLAMP	CAPACITOR		
	645 044 3817	CORE, CLAMP	C001	403 280 1802	ELECT 100U M 25V
L903	645 050 8417	CORE, CLAMP	C003	403 215 2201	CERAMIC 0.01U K 50V
	645 044 3817	CORE, CLAMP	C004	403 280 1802	ELECT 100U M 25V
L904	645 050 8417	CORE, CLAMP	C006	403 215 2201	CERAMIC 0.01U K 50V
	645 044 3817	CORE, CLAMP	C007	403 280 1802	ELECT 100U M 25V
L905	645 050 8417	CORE, CLAMP	C008	403 162 6604	ELECT 2.2U M 50V
	645 044 3817	CORE, CLAMP	C009	403 298 9609	CERAMIC 0.1U K 16V
	645 044 3817	CORE, CLAMP	C010	403 298 9609	CERAMIC 0.1U K 16V
MISCELLANEOUS			C011	403 343 4900	ELECT 470U M 25V
▲ FN901	645 041 7535	MOTOR, FAN DC 2.16W	C012	403 298 9609	CERAMIC 0.1U K 16V
▲ FN902	645 041 9195	MOTOR, FAN DC 1.68W	C013	403 343 4900	ELECT 470U M 25V
▲ FN903	645 049 0200	MOTOR, FAN DC 6.4W	C014	403 343 4900	ELECT 470U M 25V
▲ FN904	645 049 0187	MOTOR, FAN DC 7.2W	C015	403 266 8801	NP-ELECT 2.2U M 50V
▲ FN905	645 049 0187	MOTOR, FAN DC 7.2W	C016	403 266 8801	NP-ELECT 2.2U M 50V
▲ FN906	645 043 3115	MOTOR, FAN DC 5.3W	C017	403 280 1802	ELECT 100U M 25V
▲ FN907	645 041 9201	MOTOR, FAN DC 1.92W	C018	403 343 4900	ELECT 470U M 25V
▲ FN908	645 041 9201	MOTOR, FAN DC 1.92W	C019	403 343 4900	ELECT 470U M 25V
▲ FN909	645 041 7559	MOTOR, FAN DC 3.1W	C021	403 343 4900	ELECT 470U M 25V
▲ FN910	645 041 7559	MOTOR, FAN DC 3.1W	C026	403 343 4900	ELECT 470U M 25V
▲ FN911	645 043 3115	MOTOR, FAN DC 5.3W	C1602	403 215 2201	CERAMIC 0.01U K 50V
▲ FN912	645 043 3115	MOTOR, FAN DC 5.3W	C1603	403 215 2201	CERAMIC 0.01U K 50V
▲ FN913	645 049 8701	MOTOR, FAN DC 3.6W	C1612	403 215 2201	CERAMIC 0.01U K 50V
▲ FN914	645 041 7542	MOTOR, FAN DC 1.68W	C1613	403 215 2201	CERAMIC 0.01U K 50V
▲ FN915	645 043 3115	MOTOR, FAN DC 5.3W	C1622	403 215 2201	CERAMIC 0.01U K 50V
▲ F901	423 028 4209	FUSE 300V 15A	C1623	403 281 5205	CERAMIC 0.22U Z 16V
▲ F901A	645 004 9460	HOLDER, FUSE	C1631	403 343 4900	ELECT 470U M 25V
▲ K901	645 040 7598	SOCKET, INLET AC 3P	C1632	403 215 2201	CERAMIC 0.01U K 50V
▲ LP901	610 292 4831	COMPL, OPTICAL LAMP-MJ6A	C1633	403 343 4900	ELECT 470U M 25V
▲ LP902	610 292 4831	COMPL, OPTICAL LAMP-MJ6A	C1634	403 215 2201	CERAMIC 0.01U K 50V
▲ LP903	610 292 4831	COMPL, OPTICAL LAMP-MJ6A	C1642	403 215 2201	CERAMIC 0.01U K 50V
▲ LP904	610 292 4831	COMPL, OPTICAL LAMP-MJ6A	C1643	403 281 5205	CERAMIC 0.22U Z 16V
PTH901	408 043 5806	TH NTH4G42B104FD01	C1653	403 343 4900	ELECT 470U M 25V
SP901	645 005 6536	SPEAKER, 8	C1654	403 215 2201	CERAMIC 0.01U K 50V
SP902	645 005 6536	SPEAKER, 8	C1656	403 343 4900	ELECT 470U M 25V
▲ SW901	645 040 7826	SWITCH, POWER 2P-2TX2	C1893	403 164 0204	CERAMIC 0.1U Z 25V
▲ SW902	645 031 7743	SWITCH, PUSH 2P-2TX2	C1894	403 164 0204	CERAMIC 0.1U Z 25V
▲ SW903	645 043 5966	SWITCH, REED	C1895	403 164 0204	CERAMIC 0.1U Z 25V
▲ SW904	645 043 7335	SWITCH, REED	RESISTOR		
▲ SW905	645 043 5966	SWITCH, REED	R001	401 105 3208	MT-GLAZE 270 JA 1/16W
▲ SW906	645 043 5966	SWITCH, REED	R002	401 105 5301	MT-GLAZE 4.7K JA 1/16W
WK2B-K90	610 287 1005	CORD, SHIELD 1P	R003	401 105 2102	MT-GLAZE 18K JA 1/16W
WK2G-K90	610 287 0992	CORD, SHIELD 1P	R004	401 105 5301	MT-GLAZE 4.7K JA 1/16W
WK2R-K90	610 287 0985	CORD, SHIELD 1P	R005	401 105 2102	MT-GLAZE 18K JA 1/16W
W901	610 273 1781	CORD, ID-CONNECTOR M6MA	R006	401 105 3208	MT-GLAZE 270 JA 1/16W
W902	610 290 7483	CORD, SHIELD 40P	R007	401 105 2706	MT-GLAZE 220 JA 1/16W
W903	610 297 4867	CORD, SHIELD 38P	R008	401 105 0603	MT-GLAZE 10K JA 1/16W
*****			R009	401 105 4205	MT-GLAZE 33K JA 1/16W
*****			R011	401 148 6006	MT-GLAZE 2.2 JA 1/16W
*****			R012	401 105 5905	MT-GLAZE 560 JA 1/16W
*****			R013	401 148 6006	MT-GLAZE 2.2 JA 1/16W
*****			R014	401 105 5905	MT-GLAZE 560 JA 1/16W
*****			R016	401 105 0504	MT-GLAZE 1K JA 1/16W
*****			R017	401 105 6001	MT-GLAZE 5.6K JA 1/16W
*****			R018	401 105 0603	MT-GLAZE 10K JA 1/16W
*****			R021	401 105 7909	MT-GLAZE 0.000 ZA 1/16W
*****			R022	401 105 6001	MT-GLAZE 5.6K JA 1/16W
*****			R023	401 105 7909	MT-GLAZE 0.000 ZA 1/16W
*****			R024	401 105 6001	MT-GLAZE 5.6K JA 1/16W
*****			R028	401 105 7909	MT-GLAZE 0.000 ZA 1/16W
*****			R029	401 105 7909	MT-GLAZE 0.000 ZA 1/16W
*****			R031	401 105 7909	MT-GLAZE 0.000 ZA 1/16W
*****			R035	401 105 7909	MT-GLAZE 0.000 ZA 1/16W
*****			R036	401 105 7909	MT-GLAZE 0.000 ZA 1/16W
*****			R1601	401 105 4106	MT-GLAZE 3.3K JA 1/16W
*****			R1602	401 105 4106	MT-GLAZE 3.3K JA 1/16W
*****			R1603	401 105 0504	MT-GLAZE 1K JA 1/16W
*****			R1604	401 105 7909	MT-GLAZE 0.000 ZA 1/16W
*****			R1611	401 105 4106	MT-GLAZE 3.3K JA 1/16W
*****			R1612	401 105 4106	MT-GLAZE 3.3K JA 1/16W
*****			R1613	401 105 0504	MT-GLAZE 1K JA 1/16W
*****			R1614	401 105 7909	MT-GLAZE 0.000 ZA 1/16W
*****			R1621	401 105 4106	MT-GLAZE 3.3K JA 1/16W
*****			R1622	401 105 4106	MT-GLAZE 3.3K JA 1/16W
*****			R1623	401 105 0504	MT-GLAZE 1K JA 1/16W
*****			R1624	401 105 7909	MT-GLAZE 0.000 ZA 1/16W
*****			R1631	401 105 4106	MT-GLAZE 3.3K JA 1/16W
*****			R1632	401 105 4106	MT-GLAZE 3.3K JA 1/16W
*****			R1633	401 105 0504	MT-GLAZE 1K JA 1/16W
*****			R1634	401 105 7909	MT-GLAZE 0.000 ZA 1/16W
*****			ASSY,PWB,MOTOR&AUDIO ML6A		
*****			610 286 8401 ASSY, PWB, MOTOR&AUDIO ML6A		
*****			TRANSISTOR		
Q001	405 014 4509	TR 2SC2412K T146 R	L002	645 026 1008	INDUCTOR, 3.3U M
	405 014 4608	TR 2SC2412K T146 S	DIODE		
	405 015 8704	TR 2SC2812-L6-TB	D001	407 149 0807	DIODE 1SS355-TE-17
	405 015 8902	TR 2SC2812-L7-TB	D002	407 206 6308	ZD UDZS-TE-175.1B
	405 163 1602	TR 2SC2812N-L6-TB0	D1601	407 206 6308	ZD UDZS-TE-175.1B
	405 163 1701	TR 2SC2812N-L7-TB0	D1602	407 149 0807	DIODE 1SS355-TE-17
Q003	405 014 4509	TR 2SC2412K T146 R	D1603	407 149 0807	DIODE 1SS355-TE-17
	405 014 4608	TR 2SC2412K T146 S	*****		
	405 015 8704	TR 2SC2812-L6-TB	*****		
	405 015 8902	TR 2SC2812-L7-TB	*****		
	405 163 1602	TR 2SC2812N-L6-TB0	*****		
	405 163 1701	TR 2SC2812N-L7-TB0	*****		
Q004	405 014 4509	TR 2SC2412K T146 R	*****		
	405 014 4608	TR 2SC2412K T146 S	*****		
	405 015 8704	TR 2SC2812-L6-TB	*****		
	405 015 8902	TR 2SC2812-L7-TB	*****		
	405 163 1602	TR 2SC2812N-L6-TB0	*****		
	405 163 1701	TR 2SC2812N-L7-TB0	*****		
Q005	405 014 4509	TR 2SC2412K T146 R	*****		
	405 014 4608	TR 2SC2412K T146 S	*****		
	405 015 8704	TR 2SC2812-L6-TB	*****		
	405 015 8902	TR 2SC2812-L7-TB	*****		
	405 163 1602	TR 2SC2812N-L6-TB0	*****		
	405 163 1701	TR 2SC2812N-L7-TB0	*****		

Electrical Parts List

Ref. No.	Part No.	Description	Ref. No.	Part No.	Description
D1611	407 206 6308	ZD UDZS-TE-175.1B	405 002 6706	TR 2SA1179-M6-TB	
D1612	407 149 0807	DIODE 1SS355-TE-17	405 002 6904	TR 2SA1179-M7-TB	
D1613	407 149 0807	DIODE 1SS355-TE-17	405 163 1503	TR 2SA1179N-M6-TB	
D1621	407 187 8209	ZENER DIODE UDZ12B-TE-17	405 163 2708	TR 2SA1179N-M7-TB	
D1622	407 149 0807	DIODE 1SS355-TE-17	405 134 5905	TR 2SA1037AK-T146-R	
D1623	407 149 0807	DIODE 1SS355-TE-17	405 147 2205	TR 2SA1037AK-S-T146	
D1631	407 187 8209	ZENER DIODE UDZ12B-TE-17	405 002 0308	TR 2SA1037K T146 R	
D1632	407 149 0807	DIODE 1SS355-TE-17	405 002 0407	TR 2SA1037K T146 S	
D1633	407 149 0807	DIODE 1SS355-TE-17	405 002 6706	TR 2SA1179-M6-TB	
MISCELLANEOUS			405 002 6904	TR 2SA1179-M7-TB	
K16A	645 041 8136	PLUG, 40P	405 163 1503	TR 2SA1179N-M6-TB	
K16B	645 029 6321	PULG, 4P	405 163 2708	TR 2SA1179N-M7-TB	
K16F	645 029 6314	PULG, 3P	405 134 5905	TR 2SA1037AK-T146-R	
K16G	645 029 6390	PULG, 11P	405 147 2205	TR 2SA1037AK-S-T146	
K16H	645 029 6345	PULG, 6P	405 002 0308	TR 2SA1037K T146 R	
*****			405 002 0407	TR 2SA1037K T146 S	
*****			405 002 6706	TR 2SA1179-M6-TB	
*****			405 002 6904	TR 2SA1179-M7-TB	
*****			405 163 1503	TR 2SA1179N-M6-TB	
*****			405 163 2708	TR 2SA1179N-M7-TB	
ASSY,PWB,CONTROL ML6A					
610 286 8418 ASSY, PWB, CONTROL ML6A					
CAPACITOR					
C6801	403 298 9609	CERAMIC 0.1U K 16V			
C6802	403 298 9609	CERAMIC 0.1U K 16V			
C6803	403 298 9609	CERAMIC 0.1U K 16V			
RESISTOR					
R6801	401 105 2904	MT-GLAZE 22K JA 1/16W			
R6802	401 105 1600	MT-GLAZE 15K JA 1/16W			
R6803	401 105 6001	MT-GLAZE 5.6K JA 1/16W			
R6804	401 105 5301	MT-GLAZE 4.7K JA 1/16W			
R6806	401 105 3307	MT-GLAZE 2.7K JA 1/16W			
R6807	401 105 2003	MT-GLAZE 1.8K JA 1/16W			
R6808	401 105 1501	MT-GLAZE 1.5K JA 1/16W			
R6809	401 105 5202	MT-GLAZE 470 JA 1/16W			
R6812	401 105 2904	MT-GLAZE 22K JA 1/16W			
R6813	401 105 1600	MT-GLAZE 15K JA 1/16W			
R6814	401 105 6001	MT-GLAZE 5.6K JA 1/16W			
R6816	401 105 5301	MT-GLAZE 4.7K JA 1/16W			
R6817	401 105 3307	MT-GLAZE 2.7K JA 1/16W			
R6818	401 105 2003	MT-GLAZE 1.8K JA 1/16W			
R6819	401 105 1501	MT-GLAZE 1.5K JA 1/16W			
R6821	401 105 5202	MT-GLAZE 470 JA 1/16W			
R6823	401 105 2904	MT-GLAZE 22K JA 1/16W			
R6824	401 105 1600	MT-GLAZE 15K JA 1/16W			
R6826	401 105 6001	MT-GLAZE 5.6K JA 1/16W			
R6827	401 105 5301	MT-GLAZE 4.7K JA 1/16W			
R6828	401 105 3307	MT-GLAZE 2.7K JA 1/16W			
R6829	401 105 2003	MT-GLAZE 1.8K JA 1/16W			
R6831	401 105 1501	MT-GLAZE 1.5K JA 1/16W			
R6832	401 105 5202	MT-GLAZE 470 JA 1/16W			
DIODE					
D6801	407 209 1201	ZD UDZS-TE-176.2B			
D6802	407 209 1201	ZD UDZS-TE-176.2B			
D6803	407 209 1201	ZD UDZS-TE-176.2B			
D6804	407 209 1201	ZD UDZS-TE-176.2B			
MISCELLANEOUS					
K68A	645 020 7211	PLUG, 7P			
SW6801	645 025 3478	SWITCH, PUSH 1P-2TX1			
SW6802	645 025 3478	SWITCH, PUSH 1P-2TX1			
SW6803	645 025 3478	SWITCH, PUSH 1P-2TX1			
SW6804	645 025 3478	SWITCH, PUSH 1P-2TX1			
SW6806	645 025 3478	SWITCH, PUSH 1P-2TX1			
SW6807	645 025 3478	SWITCH, PUSH 1P-2TX1			
SW6809	645 025 3478	SWITCH, PUSH 1P-2TX1			
SW6811	645 025 3478	SWITCH, PUSH 1P-2TX1			
SW6812	645 025 3478	SWITCH, PUSH 1P-2TX1			
SW6813	645 025 3478	SWITCH, PUSH 1P-2TX1			
SW6814	645 025 3478	SWITCH, PUSH 1P-2TX1			
SW6816	645 025 3478	SWITCH, PUSH 1P-2TX1			
SW6817	645 025 3478	SWITCH, PUSH 1P-2TX1			
SW6819	645 025 3478	SWITCH, PUSH 1P-2TX1			
SW6821	645 025 3478	SWITCH, PUSH 1P-2TX1			
SW6822	645 025 3478	SWITCH, PUSH 1P-2TX1			
SW6823	645 025 3478	SWITCH, PUSH 1P-2TX1			
SW6824	645 025 3478	SWITCH, PUSH 1P-2TX1			
SW6825	645 025 3478	SWITCH, PUSH 1P-2TX1			
SW6826	645 025 3478	SWITCH, PUSH 1P-2TX1			

ASSY,PWB,FRONT LED ML6A					
610 286 8425 ASSY, PWB, FRONT LED ML6A					
TRANSISTOR					
Q6851	405 134 5905	TR 2SA1037AK-T146-R			
	405 147 2205	TR 2SA1037AK-S-T146			
	405 002 0308	TR 2SA1037K T146 R			
	405 002 0407	TR 2SA1037K T146 S			
	405 002 6706	TR 2SA1179-M6-TB			
	405 002 6904	TR 2SA1179-M7-TB			
	405 163 1503	TR 2SA1179N-M6-TB			
	405 163 2708	TR 2SA1179N-M7-TB			
Q6852	405 134 5905	TR 2SA1037AK-T146-R			
	405 147 2205	TR 2SA1037AK-S-T146			
	405 002 0308	TR 2SA1037K T146 R			
	405 002 0407	TR 2SA1037K T146 S			

ASSY,PWB,R/C1 ML6A					
610 286 8432 ASSY, PWB, R/C1 ML6A					
CAPACITOR					
C6841	403 348 5803	CERAMIC 0.47U K 10V			
C6842	403 348 5803	CERAMIC 0.47U K 10V			
RESISTOR					
R6841	401 105 0405	MT-GLAZE 100 JA 1/16W			
R6842	401 105 0405	MT-GLAZE 100 JA 1/16W			
DIODE					
D6841	407 187 8209	ZENER DIODE UDZ12B-TE-17			
MISCELLANEOUS					
A6841	645 034 5029	UNIT, REMOCON RECEIVER			
K68E	645 012 2248	PLUG, 4P			

ASSY,PWB,R/C2 ML6A					
610 286 8449 ASSY, PWB, R/C2 ML6A					
CAPACITOR					
C6846	403 348 5803	CERAMIC 0.47U K 10V			
C6847	403 348 5803	CERAMIC 0.47U K 10V			
RESISTOR					
R6846	401 105 0405	MT-GLAZE 100 JA 1/16W			
R6847	401 105 0405	MT-GLAZE 100 JA 1/16W			
DIODE					
D6846	407 187 8209	ZENER DIODE UDZ12B-TE-17			
MISCELLANEOUS					
A6846	645 034 5029	UNIT, REMOCON RECEIVER			
K68D	645 012 2248	PLUG, 4P			

ASSY,PWB,NET ML6A					
610 286 8463 ASSY, PWB, NET ML6A					
MISCELLANEOUS					
K96P	645 029 6390	PULG, 11P			
K96Q	645 029 6314	PULG, 3P			
K96R	645 004 2898	PLUG, 3P			
K96S	645 004 2898	PLUG, 3P			
K96T	645 004 2904	PLUG, 4P			

Electrical Parts List

Ref. No.	Part No.	Description	Ref. No.	Part No.	Description

ASSY,PWB,REAR LED ML6A					
610 286 8470 ASSY, PWB, REAR LED ML6A					
TRANSISTOR					
Q6871	405 134 5905	TR 2SA1037AK-T146-R			
	405 147 2205	TR 2SA1037AK-S-T146			
	405 002 0308	TR 2SA1037K T146 R			
	405 002 0407	TR 2SA1037K T146 S			
	405 002 6706	TR 2SA1179-M6-TB			
	405 002 6904	TR 2SA1179-M7-TB			
	405 163 1503	TR 2SA1179N-M6-TB			
	405 163 2708	TR 2SA1179N-M7-TB			
Q6872	405 134 5905	TR 2SA1037AK-T146-R			
	405 147 2205	TR 2SA1037AK-S-T146			
	405 002 0308	TR 2SA1037K T146 R			
	405 002 0407	TR 2SA1037K T146 S			
	405 002 6706	TR 2SA1179-M6-TB			
	405 002 6904	TR 2SA1179-M7-TB			
	405 163 1503	TR 2SA1179N-M6-TB			
	405 163 2708	TR 2SA1179N-M7-TB			
Q6873	405 134 5905	TR 2SA1037AK-T146-R			
	405 147 2205	TR 2SA1037AK-S-T146			
	405 002 0308	TR 2SA1037K T146 R			
	405 002 0407	TR 2SA1037K T146 S			
	405 002 6706	TR 2SA1179-M6-TB			
	405 002 6904	TR 2SA1179-M7-TB			
	405 163 1503	TR 2SA1179N-M6-TB			
	405 163 2708	TR 2SA1179N-M7-TB			
Q6874	405 134 5905	TR 2SA1037AK-T146-R			
	405 147 2205	TR 2SA1037AK-S-T146			
	405 002 0308	TR 2SA1037K T146 R			
	405 002 0407	TR 2SA1037K T146 S			
	405 002 6706	TR 2SA1179-M6-TB			
	405 002 6904	TR 2SA1179-M7-TB			
	405 163 1503	TR 2SA1179N-M6-TB			
	405 163 2708	TR 2SA1179N-M7-TB			
RESISTOR					
R6871	401 105 0405	MT-GLAZE 100 JA 1/16W			
R6872	401 105 2805	MT-GLAZE 2.2K JA 1/16W			
R6873	401 105 0405	MT-GLAZE 100 JA 1/16W			
R6874	401 105 2805	MT-GLAZE 2.2K JA 1/16W			
R6875	401 105 0405	MT-GLAZE 100 JA 1/16W			
R6876	401 105 2805	MT-GLAZE 2.2K JA 1/16W			
R6877	401 105 0405	MT-GLAZE 100 JA 1/16W			
R6878	401 105 2805	MT-GLAZE 2.2K JA 1/16W			
R6881	401 105 5202	MT-GLAZE 470 JA 1/16W			
R6882	401 105 5202	MT-GLAZE 470 JA 1/16W			
R6883	401 105 5202	MT-GLAZE 470 JA 1/16W			
R6884	401 105 5202	MT-GLAZE 470 JA 1/16W			
R6885	401 105 5202	MT-GLAZE 470 JA 1/16W			
R6886	401 105 5202	MT-GLAZE 470 JA 1/16W			
R6887	401 105 5202	MT-GLAZE 470 JA 1/16W			
R6888	401 105 5202	MT-GLAZE 470 JA 1/16W			
R6891	401 105 5202	MT-GLAZE 470 JA 1/16W			
R6892	401 105 5202	MT-GLAZE 470 JA 1/16W			
R6893	401 105 5202	MT-GLAZE 470 JA 1/16W			
R6894	401 105 5202	MT-GLAZE 470 JA 1/16W			
R6895	401 105 5202	MT-GLAZE 470 JA 1/16W			
R6896	401 105 5202	MT-GLAZE 470 JA 1/16W			
R6897	401 105 5202	MT-GLAZE 470 JA 1/16W			
R6898	401 105 5202	MT-GLAZE 470 JA 1/16W			
DIODE					
D6871	407 209 1201	ZD UDZS-TE-176.2B			
D6872	407 209 1201	ZD UDZS-TE-176.2B			
D6873	407 209 1201	ZD UDZS-TE-176.2B			
D6874	407 209 1201	ZD UDZS-TE-176.2B			
D6875	407 209 1201	ZD UDZS-TE-176.2B			
D6881	407 196 9907	LED SEL4428A			
D6881A	610 283 5816	HOLDER LED B-MJ6A			
D6882	407 196 9709	LED SEL4428C			
D6883	407 196 9808	LED SEL4428E			
D6884	407 196 9709	LED SEL4428C			
D6891	407 196 9907	LED SEL4428A			
D6892	407 196 9709	LED SEL4428C			
D6893	407 196 9808	LED SEL4428E			
D6894	407 196 9709	LED SEL4428C			
MISCELLANEOUS					
K68C	645 005 8387	PLUG, 6P			

ASSY,PWB,LAMP NET MJ6A					
610 295 5675 ASSY, PWB, LAMP NET MJ6A					
TRANSISTOR					
Q9600	405 014 4509	TR 2SC2412K T146 R			
	405 014 4608	TR 2SC2412K T146 S			
	405 015 8704	TR 2SC2812-L6-TB			
	405 015 8902	TR 2SC2812-L7-TB			
	405 163 1602	TR 2SC2812N-L6-TB0			
	405 163 1701	TR 2SC2812N-L7-TB0			
CAPACITOR					
C9601	403 298 9609	CERAMIC 0.1U K 16V			
C9602	403 298 9609	CERAMIC 0.1U K 16V			
C9603	403 298 9609	CERAMIC 0.1U K 16V			

RESISTOR					
R9600	401 105 7909	MT-GLAZE 0.000 ZA 1/16W			
R9601	401 105 7909	MT-GLAZE 0.000 ZA 1/16W			
R9602	401 105 7909	MT-GLAZE 0.000 ZA 1/16W			
R9605	401 105 5202	MT-GLAZE 470 JA 1/16W			
R9606	401 105 5202	MT-GLAZE 470 JA 1/16W			
R9612	401 105 0603	MT-GLAZE 10K JA 1/16W			
R9616	401 105 0603	MT-GLAZE 10K JA 1/16W			
R9617	401 105 0603	MT-GLAZE 10K JA 1/16W			
MISCELLANEOUS					
K96A	645 042 6834	PLUG, 30P			
K96B	645 029 6345	PULG, 6P			
K96C	645 029 6352	PULG, 7P			
K96D	645 029 6338	PULG, 5P			
K96E	645 043 3719	PLUG, 3P			
K96F	645 029 6314	PULG, 3P			
K96G	645 023 8659	PLUG, 5P			
K96H	645 023 8659	PLUG, 5P			
K96U	645 029 6321	PULG, 4P			

PWB assembly for TERMINAL BOARD AV					
610 286 8791 ASSY, PWB, AV ML6A					
TRANSISTOR					
Q101	405 014 4509	TR 2SC2412K T146 R			
	405 014 4608	TR 2SC2412K T146 S			
	405 015 8704	TR 2SC2812-L6-TB			
	405 015 8902	TR 2SC2812-L7-TB			
	405 163 1602	TR 2SC2812N-L6-TB0			
	405 163 1701	TR 2SC2812N-L7-TB0			
Q102	405 014 4509	TR 2SC2412K T146 R			
	405 014 4608	TR 2SC2412K T146 S			
	405 015 8704	TR 2SC2812-L6-TB			
	405 015 8902	TR 2SC2812-L7-TB			
	405 163 1602	TR 2SC2812N-L6-TB0			
	405 163 1701	TR 2SC2812N-L7-TB0			
Q1101	405 014 4509	TR 2SC2412K T146 R			
	405 014 4608	TR 2SC2412K T146 S			
	405 015 8704	TR 2SC2812-L6-TB			
	405 015 8902	TR 2SC2812-L7-TB			
	405 163 1602	TR 2SC2812N-L6-TB0			
	405 163 1701	TR 2SC2812N-L7-TB0			
Q1151	405 134 5905	TR 2SA1037AK-T146-R			
	405 147 2205	TR 2SA1037AK-S-T146			
	405 002 0308	TR 2SA1037K T146 R			
	405 002 0407	TR 2SA1037K T146 S			
	405 002 6706	TR 2SA1179-M6-TB			
	405 002 6904	TR 2SA1179-M7-TB			
	405 163 1503	TR 2SA1179N-M6-TB			
	405 163 2708	TR 2SA1179N-M7-TB			
Q1152	405 014 4509	TR 2SC2412K T146 R			
	405 014 4608	TR 2SC2412K T146 S			
	405 015 8704	TR 2SC2812-L6-TB			
	405 015 8902	TR 2SC2812-L7-TB			
	405 163 1602	TR 2SC2812N-L6-TB0			
	405 163 1701	TR 2SC2812N-L7-TB0			
Q1153	405 134 5905	TR 2SA1037AK-T146-R			
	405 147 2205	TR 2SA1037AK-S-T146			
	405 002 0308	TR 2SA1037K T146 R			
	405 002 0407	TR 2SA1037K T146 S			
	405 002 6706	TR 2SA1179-M6-TB			
	405 002 6904	TR 2SA1179-M7-TB			
	405 163 1503	TR 2SA1179N-M6-TB			
	405 163 2708	TR 2SA1179N-M7-TB			
Q1156	405 134 5905	TR 2SA1037AK-T146-R			
	405 147 2205	TR 2SA1037AK-S-T146			
	405 002 0308	TR 2SA1037K T146 R			
	405 002 0407	TR 2SA1037K T146 S			
	405 002 6706	TR 2SA1179-M6-TB			
	405 002 6904	TR 2SA1179-M7-TB			
	405 163 1503	TR 2SA1179N-M6-TB			
	405 163 2708	TR 2SA1179N-M7-TB			
Q1162	405 014 4509	TR 2SC2412K T146 R			
	405 014 4608	TR 2SC2412K T146 S			
	405 015 8704	TR 2SC2812-L6-TB			
	405 015 8902	TR 2SC2812-L7-TB			
	405 163 1602	TR 2SC2812N-L6-TB0			
	405 163 1701	TR 2SC2812N-L7-TB0			
Q1163	405 134 5905	TR 2SA1037AK-T146-R			
	405 147 2205	TR 2SA1037AK-S-T146			
	405 002 0308	TR 2SA1037K T146 R			
	405 002 0407	TR 2SA1037K T146 S			
	405 002 6706	TR 2SA1179-M6-TB			
	405 002 6904	TR 2SA1179-M7-TB			
	405 163 1503	TR 2SA1179N-M6-TB			
	405 163 2708	TR 2SA1179N-M7-TB			

Electrical Parts List

Ref. No.	Part No.	Description	Ref. No.	Part No.	Description
Q5105	405 163 1602	TR 2SC2812N-L6-TB0	C1152	403 283 6309	CERAMIC 1U Z 10V
	405 163 1701	TR 2SC2812N-L7-TB0	C1161	403 283 6309	CERAMIC 1U Z 10V
	405 014 4509	TR 2SC2412K T146 R	C1162	403 145 9905	CERAMIC 22P J 50V
	405 014 4608	TR 2SC2412K T146 S	C1187	403 283 6309	CERAMIC 1U Z 10V
	405 015 8704	TR 2SC2812-L6-TB	C1188	403 164 0204	CERAMIC 0.1U Z 25V
Q5106	405 015 8902	TR 2SC2812-L7-TB	C123	403 164 0204	CERAMIC 0.1U Z 25V
	405 163 1602	TR 2SC2812N-L6-TB0	C146	403 283 6309	CERAMIC 1U Z 10V
	405 163 1701	TR 2SC2812N-L7-TB0	C147	403 164 0204	CERAMIC 0.1U Z 25V
	405 014 4509	TR 2SC2412K T146 R	C161	403 266 8108	NP-ELECT 1U M 50V
	405 014 4608	TR 2SC2412K T146 S	C162	403 323 8805	CERAMIC 2.2U Z 16V
Q5107	405 015 8704	TR 2SC2812-L6-TB	C163	403 255 7907	CERAMIC 2.2U Z 16V
	405 015 8902	TR 2SC2812-L7-TB	C163	403 164 0204	CERAMIC 0.1U Z 25V
	405 163 1602	TR 2SC2812N-L6-TB0	C164	403 283 6309	CERAMIC 1U Z 10V
	405 163 1701	TR 2SC2812N-L7-TB0	C165	403 113 3805	CERAMIC 1000P K 50V
	405 014 4509	TR 2SC2412K T146 R	C166	403 162 6208	ELECT 1U M 50V
INTEGRATED CIRCUIT	409 453 9309	IC UPD64082GF-3BA	C2101	403 175 4802	NP-ELECT 10U M 10V
	409 416 6406	IC BA033FP-E2	C2102	403 164 0204	CERAMIC 0.1U Z 25V
	410 342 8808	IC MSM54V16258BSL-40TS-K	C2103	403 283 6309	CERAMIC 1U Z 10V
	409 051 2900	IC TC4053BF (EL)	C2104	403 164 0204	CERAMIC 0.1U Z 25V
	409 051 2900	IC TC4053BF (EL)	C2105	403 164 0204	CERAMIC 0.1U Z 25V
	409 397 3005	IC TC7SET04FU-(TE85L)	C2106	403 164 0204	CERAMIC 0.1U Z 25V
	409 051 2900	IC TC4053BF (EL)	C2107	403 283 6309	CERAMIC 1U Z 10V
	409 461 7304	IC AD8057ART	C2108	403 164 0204	CERAMIC 0.1U Z 25V
	409 429 6400	IC AD8055ART	C2109	403 164 0204	CERAMIC 0.1U Z 25V
	409 461 7304	IC AD8057ART	C2111	403 164 0204	CERAMIC 0.1U Z 25V
	409 461 7304	IC AD8057ART	C2112	403 164 0204	CERAMIC 0.1U Z 25V
	409 442 1307	IC CXD2064Q	C2113	403 215 2201	CERAMIC 0.01U K 50V
	409 422 5806	IC M62398FP	C2114	403 283 6309	CERAMIC 1U Z 10V
	409 404 6302	IC M62320FP	C2115	403 164 0204	CERAMIC 0.1U Z 25V
	409 392 7503	IC 24LC08BT/SN	C2116	403 283 6309	CERAMIC 1U Z 10V
	409 250 9809	IC TC4W53F-TE12L	C2117	403 164 0204	CERAMIC 0.1U Z 25V
	409 051 2900	IC TC4053BF (EL)	C2118	401 105 0405	MT-GLAZE 100 JA 1/16W
	409 408 4205	IC TDA8395T/N3	C2119	403 215 2201	CERAMIC 0.01U K 50V
409 435 3806	IC TDA4665T/V5T	C2121	403 283 6309	CERAMIC 1U Z 10V	
409 449 2901	IC CXA2019AQ	C2122	403 164 0204	CERAMIC 0.1U Z 25V	
409 461 7304	IC AD8057ART	C2123	403 280 0805	ELECT 330U M 6.3V	
409 493 2902	IC SI-3012LU-TL	C2124	403 215 2201	CERAMIC 0.01U K 50V	
409 474 0002	IC CXA2101AQ	C2125	403 215 2201	CERAMIC 0.01U K 50V	
409 397 3005	IC TC7SET04FU-(TE85L)	C2126	403 215 2904	CERAMIC 0.022U K 25V	
409 397 3005	IC TC7SET04FU-(TE85L)	C2127	403 164 0204	CERAMIC 0.1U Z 25V	
409 051 2900	IC TC4053BF (EL)	C2128	403 283 6309	CERAMIC 1U Z 10V	
409 422 6605	IC TC90A11F	C2129	403 283 6309	CERAMIC 1U Z 10V	
409 325 4203	IC PST600DMT	C2131	403 215 2201	CERAMIC 0.01U K 50V	
410 365 2005	IC MSM518221A-25GS-K	C2133	401 219 1107	MT-GLAZE 1.8K FA 1/16W	
409 461 7304	IC AD8057ART	C2134	403 215 2201	CERAMIC 0.01U K 50V	
409 461 7304	IC AD8057ART	C2135	403 215 2201	CERAMIC 0.01U K 50V	
409 461 7304	IC AD8057ART	C2136	403 215 2201	CERAMIC 0.01U K 50V	
CAPACITOR	403 162 4709	ELECT 10U M 16V	C2137	403 280 0805	ELECT 330U M 6.3V
	403 162 4709	ELECT 10U M 16V	C2138	403 280 0805	ELECT 330U M 6.3V
	403 164 0204	CERAMIC 0.1U Z 25V	C2141	403 164 0204	CERAMIC 0.1U Z 25V
	403 280 1604	ELECT 220U M 16V	C2143	403 283 6309	CERAMIC 1U Z 10V
	403 145 9905	CERAMIC 22P J 50V	C2144	403 175 4505	ELECT 47U M 6.3V
	403 145 9905	CERAMIC 22P J 50V	C2145	403 164 0204	CERAMIC 0.1U Z 25V
	403 164 0204	CERAMIC 0.1U Z 25V	C2146	403 164 0204	CERAMIC 0.1U Z 25V
	403 164 0204	CERAMIC 0.1U Z 25V	C2147	403 164 0204	CERAMIC 0.1U Z 25V
	403 164 0204	CERAMIC 0.1U Z 25V	C2148	403 164 0204	CERAMIC 0.1U Z 25V
	403 164 0204	CERAMIC 0.1U Z 25V	C2149	403 164 0204	CERAMIC 0.1U Z 25V
	403 164 0204	CERAMIC 0.1U Z 25V	C2150	403 164 0204	CERAMIC 0.1U Z 25V
	403 164 0204	CERAMIC 0.1U Z 25V	C2151	403 164 0204	CERAMIC 0.1U Z 25V
	403 164 0204	CERAMIC 0.1U Z 25V	C2152	403 164 0204	CERAMIC 0.1U Z 25V
	403 164 0204	CERAMIC 0.1U Z 25V	C2153	403 164 0204	CERAMIC 0.1U Z 25V
	403 164 0204	CERAMIC 0.1U Z 25V	C2154	403 164 0204	CERAMIC 0.1U Z 25V
	403 164 0204	CERAMIC 0.1U Z 25V	C2155	403 164 0204	CERAMIC 0.1U Z 25V
	403 164 0204	CERAMIC 0.1U Z 25V	C2156	403 164 0204	CERAMIC 0.1U Z 25V
	403 283 6309	CERAMIC 1U Z 10V	C2157	403 164 0204	CERAMIC 0.1U Z 25V
403 283 6309	CERAMIC 1U Z 10V	C2158	403 164 0204	CERAMIC 0.1U Z 25V	
403 164 0204	CERAMIC 0.1U Z 25V	C2159	403 164 0204	CERAMIC 0.1U Z 25V	
403 164 0204	CERAMIC 0.1U Z 25V	C2160	403 164 0204	CERAMIC 0.1U Z 25V	
403 164 0204	CERAMIC 0.1U Z 25V	C2167	403 283 6309	CERAMIC 1U Z 10V	
403 164 0204	CERAMIC 0.1U Z 25V	C2168	403 164 0204	CERAMIC 0.1U Z 25V	
403 164 0204	CERAMIC 0.1U Z 25V	C2170	403 164 0204	CERAMIC 0.1U Z 25V	
403 164 0204	CERAMIC 0.1U Z 25V	C2171	403 164 0204	CERAMIC 0.1U Z 25V	
403 266 8108	NP-ELECT 1U M 50V	C2172	403 164 0204	CERAMIC 0.1U Z 25V	
403 162 4709	ELECT 10U M 16V	C2173	403 164 0204	CERAMIC 0.1U Z 25V	
403 164 0204	CERAMIC 0.1U Z 25V	C2174	403 164 0204	CERAMIC 0.1U Z 25V	
403 164 0204	CERAMIC 0.1U Z 25V	C2182	403 175 4109	ELECT 22U M 16V	
403 164 0204	CERAMIC 0.1U Z 25V	C2184	403 175 4109	ELECT 22U M 16V	
403 164 0204	CERAMIC 0.1U Z 25V	C2186	403 164 0204	CERAMIC 0.1U Z 25V	
403 164 0204	CERAMIC 0.1U Z 25V	C2188	403 164 0204	CERAMIC 0.1U Z 25V	
403 164 0204	CERAMIC 0.1U Z 25V	C2191	401 105 0603	MT-GLAZE 10K JA 1/16W	
403 175 4505	ELECT 47U M 6.3V	C2192	403 145 9905	CERAMIC 22P J 50V	
403 164 0204	CERAMIC 0.1U Z 25V	C2193	403 145 9905	CERAMIC 22P J 50V	
403 175 4505	ELECT 47U M 6.3V	C3016	403 280 1604	ELECT 220U M 16V	
403 280 0805	ELECT 330U M 6.3V	C3018	403 164 0204	CERAMIC 0.1U Z 25V	
403 164 0204	CERAMIC 0.1U Z 25V	C3105	403 164 0204	CERAMIC 0.1U Z 25V	
403 283 6309	CERAMIC 1U Z 10V	C3106	403 215 2201	CERAMIC 0.01U K 50V	
403 280 0805	ELECT 330U M 6.3V	C3121	403 162 4709	ELECT 10U M 16V	
403 283 6309	CERAMIC 1U Z 10V	C3122	403 164 0204	CERAMIC 0.1U Z 25V	
403 283 6309	CERAMIC 1U Z 10V	C3123	403 298 9609	CERAMIC 0.1U K 16V	
403 175 4505	ELECT 47U M 6.3V	C3124	403 298 9609	CERAMIC 0.1U K 16V	
403 164 0204	CERAMIC 0.1U Z 25V	C3125	403 298 9609	CERAMIC 0.1U K 16V	
403 283 6309	CERAMIC 1U Z 10V	C3131	403 215 2201	CERAMIC 0.01U K 50V	
403 164 0204	CERAMIC 0.1U Z 25V	C3132	403 283 6309	CERAMIC 1U Z 10V	
403 283 6309	CERAMIC 1U Z 10V	C3134	403 175 4109	ELECT 22U M 16V	

Electrical Parts List

Ref. No.	Part No.	Description	Ref. No.	Part No.	Description
C3135	403 164 0204	CERAMIC 0.1U Z 25V	C5129	403 155 1609	CERAMIC 33P J 50V
C3136	403 164 0204	CERAMIC 0.1U Z 25V	C5130	403 157 1706	CERAMIC 8P D 50V
C3137	403 164 0204	CERAMIC 0.1U Z 25V	C5132	403 162 6208	ELECT 1U M 50V
C3140	403 283 6309	CERAMIC 1U Z 10V	C5133	403 139 7306	CERAMIC 18P J 50V
C3141	403 215 2201	CERAMIC 0.01U K 50V	C5134	403 215 2201	CERAMIC 0.01U K 50V
C3142	403 283 6309	CERAMIC 1U Z 10V	C5135	403 139 7306	CERAMIC 18P J 50V
C3143	403 164 0204	CERAMIC 0.1U Z 25V	C5136	403 157 1508	CERAMIC 3P C 50V
C3144	403 162 6604	ELECT 2.2U M 50V	C5137	403 157 1706	CERAMIC 8P D 50V
C3146	403 164 0204	CERAMIC 0.1U Z 25V	C5138	403 164 0204	CERAMIC 0.1U Z 25V
C3147	403 266 8108	NP-ELECT 1U M 50V	C5139	403 153 9102	CERAMIC 5P C 50V
C3148	403 266 8108	NP-ELECT 1U M 50V	C5141	403 145 9905	CERAMIC 22P J 50V
C3149	403 266 8108	NP-ELECT 1U M 50V	C5142	403 157 1706	CERAMIC 8P D 50V
C3150	403 286 8508	ELECT 330M M 16V	C5143	403 164 0204	CERAMIC 0.1U Z 25V
C3151	403 348 5803	CERAMIC 0.47U K 10V	C5144	403 283 6309	CERAMIC 1U Z 10V
C3152	403 348 5803	CERAMIC 0.47U K 10V	C5145	403 164 0204	CERAMIC 0.1U Z 25V
C3153	403 157 2109	CERAMIC 13P J 50V	C5146	403 164 0204	CERAMIC 0.1U Z 25V
C3154	403 157 2109	CERAMIC 13P J 50V	C5147	403 164 0204	CERAMIC 0.1U Z 25V
C3155	403 157 2109	CERAMIC 13P J 50V	C5148	403 164 0204	CERAMIC 0.1U Z 25V
C3157	403 157 2109	CERAMIC 13P J 50V	C5149	403 280 0805	ELECT 330U M 6.3V
C3159	403 155 1500	CERAMIC 180P J 50V	C5151	403 283 6309	CERAMIC 1U Z 10V
C3160	403 215 2201	CERAMIC 0.01U K 50V	C5152	403 164 0204	CERAMIC 0.1U Z 25V
C3163	403 162 5300	ELECT 4.7U M 25V	C5181	403 280 1604	ELECT 220U M 16V
C3164	403 343 8809	CERAMIC 0.47U Z 16V	C5182	403 164 0204	CERAMIC 0.1U Z 25V
C3166	403 266 8108	NP-ELECT 1U M 50V	C5183	403 153 9102	CERAMIC 5P C 50V
C3167	403 215 2102	CERAMIC 8200P K 50V	C5184	403 153 9102	CERAMIC 5P C 50V
C3168	403 162 6000	ELECT 0.47U M 50V	C5185	403 153 9102	CERAMIC 5P C 50V
C3169	403 153 9102	CERAMIC 5P C 50V			
C3172	403 157 3601	CERAMIC 100P J 50V	RESISTOR		
C3175	403 164 0204	CERAMIC 0.1U Z 25V	R100	401 105 3000	MT-GLAZE 220K JA 1/16W
C3176	403 175 4109	ELECT 22U M 16V	R101	401 105 5509	MT-GLAZE 470K JA 1/16W
C3177	403 162 6000	ELECT 0.47U M 50V	R102	401 105 5509	MT-GLAZE 470K JA 1/16W
C4119	403 164 0204	CERAMIC 0.1U Z 25V	R103	401 105 0405	MT-GLAZE 100 JA 1/16W
C4126	403 215 2201	CERAMIC 0.01U K 50V	R104	401 105 3000	MT-GLAZE 220K JA 1/16W
C4129	403 164 0204	CERAMIC 0.1U Z 25V	R105	401 105 7909	MT-GLAZE 0.000 ZA 1/16W
C4132	403 164 0204	CERAMIC 0.1U Z 25V	R106	401 105 2805	MT-GLAZE 2.2K JA 1/16W
C4133	403 164 0204	CERAMIC 0.1U Z 25V	R107	401 105 0405	MT-GLAZE 100 JA 1/16W
C4134	403 164 0204	CERAMIC 0.1U Z 25V	R108	401 105 3000	MT-GLAZE 220K JA 1/16W
C4135	403 162 4709	ELECT 10U M 16V	R109	401 105 7909	MT-GLAZE 0.000 ZA 1/16W
C4137	403 348 5803	CERAMIC 0.47U K 10V	R110	401 105 3000	MT-GLAZE 220K JA 1/16W
C4138	403 162 4709	ELECT 10U M 16V	R1101	401 105 5202	MT-GLAZE 470 JA 1/16W
C4139	403 298 9609	CERAMIC 0.1U K 16V	R1102	401 105 7909	MT-GLAZE 0.000 ZA 1/16W
C4140	403 215 2201	CERAMIC 0.01U K 50V	R1103	401 105 7909	MT-GLAZE 0.000 ZA 1/16W
C4141	403 215 2201	CERAMIC 0.01U K 50V	R1104	401 105 7909	MT-GLAZE 0.000 ZA 1/16W
C4142	403 215 2201	CERAMIC 0.01U K 50V	R1105	401 105 7909	MT-GLAZE 0.000 ZA 1/16W
C4143	403 215 2201	CERAMIC 0.01U K 50V	R1106	401 105 5202	MT-GLAZE 470 JA 1/16W
C4144	403 215 2201	CERAMIC 0.01U K 50V	R1107	401 105 5202	MT-GLAZE 470 JA 1/16W
C4145	403 215 2201	CERAMIC 0.01U K 50V	R1108	401 105 7909	MT-GLAZE 0.000 ZA 1/16W
C4146	403 215 2201	CERAMIC 0.01U K 50V	R1109	401 105 5301	MT-GLAZE 4.7K JA 1/16W
C4147	403 215 2201	CERAMIC 0.01U K 50V	R111	401 105 2805	MT-GLAZE 2.2K JA 1/16W
C4148	403 215 2201	CERAMIC 0.01U K 50V	R1111	401 105 0405	MT-GLAZE 100 JA 1/16W
C4157	403 162 4709	ELECT 10U M 16V	R1112	401 105 0405	MT-GLAZE 100 JA 1/16W
C4158	403 348 5803	CERAMIC 0.47U K 10V	R1113	401 105 0405	MT-GLAZE 100 JA 1/16W
C4160	403 343 8809	CERAMIC 0.47U Z 16V	R1128	401 105 0405	MT-GLAZE 100 JA 1/16W
C4164	403 164 0204	CERAMIC 0.1U Z 25V	R1129	401 105 0405	MT-GLAZE 100 JA 1/16W
C4165	403 164 0204	CERAMIC 0.1U Z 25V	R1131	401 105 0405	MT-GLAZE 100 JA 1/16W
C4166	403 164 0204	CERAMIC 0.1U Z 25V	R1132	401 105 7909	MT-GLAZE 0.000 ZA 1/16W
C4169	403 215 2201	CERAMIC 0.01U K 50V	R1133	401 105 7909	MT-GLAZE 0.000 ZA 1/16W
C4171	403 215 2201	CERAMIC 0.01U K 50V	R1141	401 105 1105	MT-GLAZE 12K JA 1/16W
C4172	403 215 2201	CERAMIC 0.01U K 50V	R1142	401 105 8104	MT-GLAZE 56K JA 1/16W
C4181	403 164 0204	CERAMIC 0.1U Z 25V	R1149	401 105 0405	MT-GLAZE 100 JA 1/16W
C4182	403 283 6309	CERAMIC 1U Z 10V	R1151	401 105 0405	MT-GLAZE 100 JA 1/16W
C4183	403 283 6309	CERAMIC 1U Z 10V	R1152	401 105 0405	MT-GLAZE 100 JA 1/16W
C4184	403 283 6309	CERAMIC 1U Z 10V	R1155	401 105 7503	MT-GLAZE 82K JA 1/16W
C4185	403 224 7006	CERAMIC 0.047U Z 50V	R1156	401 105 2102	MT-GLAZE 18K JA 1/16W
C4186	403 224 7006	CERAMIC 0.047U Z 50V	R1157	401 105 0504	MT-GLAZE 1K JA 1/16W
C4187	403 283 6309	CERAMIC 1U Z 10V	R1158	401 105 5301	MT-GLAZE 4.7K JA 1/16W
C4188	403 164 0204	CERAMIC 0.1U Z 25V	R1159	401 105 5905	MT-GLAZE 560 JA 1/16W
C5100	403 164 0204	CERAMIC 0.1U Z 25V	R1161	401 105 6001	MT-GLAZE 5.6K JA 1/16W
C5101	403 164 0204	CERAMIC 0.1U Z 25V	R1162	401 105 0504	MT-GLAZE 1K JA 1/16W
C5102	403 164 0204	CERAMIC 0.1U Z 25V	R1163	401 105 2706	MT-GLAZE 220 JA 1/16W
C5103	403 215 1006	CERAMIC 470P J 50V	R1165	401 105 4502	MT-GLAZE 390 JA 1/16W
C5104	403 298 9609	CERAMIC 0.1U K 16V	R1166	401 105 5103	MT-GLAZE 47 JA 1/16W
C5105	403 155 1302	CERAMIC 150P J 50V	R1167	401 105 0504	MT-GLAZE 1K JA 1/16W
C5106	403 139 7108	CERAMIC 12P J 50V	R1168	401 105 0504	MT-GLAZE 1K JA 1/16W
C5107	403 164 0204	CERAMIC 0.1U Z 25V	R1169	401 105 5301	MT-GLAZE 4.7K JA 1/16W
C5108	403 164 0204	CERAMIC 0.1U Z 25V	R1171	401 105 5905	MT-GLAZE 560 JA 1/16W
C5109	403 164 0204	CERAMIC 0.1U Z 25V	R1172	401 105 6001	MT-GLAZE 5.6K JA 1/16W
C5110	403 162 4709	ELECT 10U M 16V	R1173	401 105 0504	MT-GLAZE 1K JA 1/16W
C5111	403 280 0805	ELECT 330U M 6.3V	R1174	401 105 2706	MT-GLAZE 220 JA 1/16W
C5112	403 164 0204	CERAMIC 0.1U Z 25V	R1175	401 105 2706	MT-GLAZE 220 JA 1/16W
C5113	403 215 2201	CERAMIC 0.01U K 50V	R1176	401 105 5905	MT-GLAZE 560 JA 1/16W
C5114	403 155 1500	CERAMIC 180P J 50V	R1177	401 105 5103	MT-GLAZE 47 JA 1/16W
C5115	403 215 2201	CERAMIC 0.01U K 50V	R1178	401 105 0504	MT-GLAZE 1K JA 1/16W
C5116	403 164 0204	CERAMIC 0.1U Z 25V	R1183	401 105 2706	MT-GLAZE 220 JA 1/16W
C5117	403 164 0204	CERAMIC 0.1U Z 25V	R1184	401 105 4106	MT-GLAZE 3.3K JA 1/16W
C5118	403 164 0204	CERAMIC 0.1U Z 25V	R1187	401 105 0405	MT-GLAZE 100 JA 1/16W
C5119	403 164 0204	CERAMIC 0.1U Z 25V	R1188	401 105 0405	MT-GLAZE 100 JA 1/16W
C5120	403 153 9102	CERAMIC 5P C 50V	R1189	401 105 0405	MT-GLAZE 100 JA 1/16W
C5121	403 164 0204	CERAMIC 0.1U Z 25V	R121	401 226 1206	MT-GLAZE 150 FA 1/16W
C5122	403 164 0204	CERAMIC 0.1U Z 25V	R122	401 226 1206	MT-GLAZE 150 FA 1/16W
C5123	403 164 0204	CERAMIC 0.1U Z 25V	R123	401 226 1206	MT-GLAZE 150 FA 1/16W
C5124	403 164 0204	CERAMIC 0.1U Z 25V	R124	401 226 1206	MT-GLAZE 150 FA 1/16W
C5125	403 164 0204	CERAMIC 0.1U Z 25V	R125	401 105 0405	MT-GLAZE 100 JA 1/16W
C5126	403 164 0204	CERAMIC 0.1U Z 25V	R126	401 105 4106	MT-GLAZE 3.3K JA 1/16W
C5128	403 155 4204	CERAMIC 15P J 50V	R131	401 226 1206	MT-GLAZE 150 FA 1/16W
			R132	401 226 1206	MT-GLAZE 150 FA 1/16W

Electrical Parts List

Ref. No.	Part No.	Description	Ref. No.	Part No.	Description
R133	401 226 1206	MT-GLAZE 150 FA 1/16W	R2191	401 105 0504	MT-GLAZE 1K JA 1/16W
R134	401 226 1206	MT-GLAZE 150 FA 1/16W	R2192	401 105 0504	MT-GLAZE 1K JA 1/16W
R147	401 105 0405	MT-GLAZE 100 JA 1/16W	R2193	401 105 2805	MT-GLAZE 2.2K JA 1/16W
R148	401 105 0405	MT-GLAZE 100 JA 1/16W	R3105	401 105 0504	MT-GLAZE 1K JA 1/16W
R149	401 105 0405	MT-GLAZE 100 JA 1/16W	R3106	401 105 1006	MT-GLAZE 1.2K JA 1/16W
R161	401 105 4809	MT-GLAZE 390K JA 1/16W	R3107	401 105 5202	MT-GLAZE 470 JA 1/16W
R162	401 105 4106	MT-GLAZE 3.3K JA 1/16W	R3108	401 105 2904	MT-GLAZE 22K JA 1/16W
R163	401 105 6001	MT-GLAZE 5.6K JA 1/16W	R3109	401 105 7404	MT-GLAZE 8.2K JA 1/16W
R164	401 105 0405	MT-GLAZE 100 JA 1/16W	R3110	401 105 0405	MT-GLAZE 100 JA 1/16W
R165	401 105 2805	MT-GLAZE 2.2K JA 1/16W	R3120	401 105 0504	MT-GLAZE 1K JA 1/16W
R166	401 105 0405	MT-GLAZE 100 JA 1/16W	R3121	401 037 9101	MT-GLAZE 180 JA 1/10W
R167	401 105 2805	MT-GLAZE 2.2K JA 1/16W	R3122	401 037 9101	MT-GLAZE 180 JA 1/10W
R168	401 105 7305	MT-GLAZE 820 JA 1/16W	R3130	401 105 6506	MT-GLAZE 680 JA 1/16W
R169	401 105 4106	MT-GLAZE 3.3K JA 1/16W	R3131	401 105 0504	MT-GLAZE 1K JA 1/16W
R171	401 105 1501	MT-GLAZE 1.5K JA 1/16W	R3132	401 105 0306	MT-GLAZE 10 JA 1/16W
R172	401 105 2706	MT-GLAZE 220 JA 1/16W	R3140	401 105 0504	MT-GLAZE 1K JA 1/16W
R173	401 105 3000	MT-GLAZE 220K JA 1/16W	R3142	401 105 4007	MT-GLAZE 330 JA 1/16W
R174	401 105 2805	MT-GLAZE 2.2K JA 1/16W	R3143	401 105 0603	MT-GLAZE 10K JA 1/16W
R175	401 105 5202	MT-GLAZE 470 JA 1/16W	R3144	401 105 4106	MT-GLAZE 3.3K JA 1/16W
R176	401 105 5400	MT-GLAZE 47K JA 1/16W	R3145	401 105 0504	MT-GLAZE 1K JA 1/16W
R177	401 105 0504	MT-GLAZE 1K JA 1/16W	R3147	401 105 0504	MT-GLAZE 1K JA 1/16W
R178	401 105 5301	MT-GLAZE 4.7K JA 1/16W	R3148	401 105 4106	MT-GLAZE 3.3K JA 1/16W
R179	401 105 2805	MT-GLAZE 2.2K JA 1/16W	R3151	401 105 1501	MT-GLAZE 1.5K JA 1/16W
R180	401 218 4505	MT-GLAZE 2.2K FA 1/16W	R3152	401 105 0504	MT-GLAZE 1K JA 1/16W
R182	401 219 1107	MT-GLAZE 1.8K FA 1/16W	R3153	401 105 5202	MT-GLAZE 470 JA 1/16W
R183	401 105 2904	MT-GLAZE 22K JA 1/16W	R3154	401 105 8104	MT-GLAZE 56K JA 1/16W
R184	401 105 7404	MT-GLAZE 8.2K JA 1/16W	R3155	401 105 8104	MT-GLAZE 56K JA 1/16W
R185	401 218 4505	MT-GLAZE 2.2K FA 1/16W	R3156	401 105 8104	MT-GLAZE 56K JA 1/16W
R187	401 219 1107	MT-GLAZE 1.8K FA 1/16W	R3157	401 105 8104	MT-GLAZE 56K JA 1/16W
R188	401 105 2904	MT-GLAZE 22K JA 1/16W	R3158	401 105 8104	MT-GLAZE 56K JA 1/16W
R189	401 105 7404	MT-GLAZE 8.2K JA 1/16W	R3159	401 105 0504	MT-GLAZE 1K JA 1/16W
R190	401 105 2805	MT-GLAZE 2.2K JA 1/16W	R3160	401 105 1204	MT-GLAZE 120K JA 1/16W
R192	401 105 1501	MT-GLAZE 1.5K JA 1/16W	R3162	401 105 2706	MT-GLAZE 220 JA 1/16W
R193	401 105 4700	MT-GLAZE 39K JA 1/16W	R3163	401 105 2706	MT-GLAZE 220 JA 1/16W
R194	401 105 7404	MT-GLAZE 8.2K JA 1/16W	R3165	401 105 0405	MT-GLAZE 100 JA 1/16W
R195	401 105 2805	MT-GLAZE 2.2K JA 1/16W	R3166	401 105 0405	MT-GLAZE 100 JA 1/16W
R197	401 105 1501	MT-GLAZE 1.5K JA 1/16W	R3167	401 105 3307	MT-GLAZE 2.7K JA 1/16W
R198	401 105 4700	MT-GLAZE 39K JA 1/16W	R3168	401 105 4304	MT-GLAZE 330K JA 1/16W
R199	401 105 7404	MT-GLAZE 8.2K JA 1/16W	R3169	401 105 0504	MT-GLAZE 1K JA 1/16W
R2101	401 105 7909	MT-GLAZE 0.000 ZA 1/16W	R3170	401 105 3000	MT-GLAZE 220K JA 1/16W
R2102	401 105 7909	MT-GLAZE 0.000 ZA 1/16W	R3171	401 105 2805	MT-GLAZE 2.2K JA 1/16W
R2103	401 105 1402	MT-GLAZE 150 JA 1/16W	R3173	401 105 4106	MT-GLAZE 3.3K JA 1/16W
R2104	401 235 4106	MT-GLAZE 120 FA 1/16W	R3174	401 113 9506	MT-GLAZE 620K JA 1/16W
R2105	401 105 4106	MT-GLAZE 3.3K JA 1/16W	R3175	401 218 4505	MT-GLAZE 2.2K FA 1/16W
R2106	401 105 2805	MT-GLAZE 2.2K JA 1/16W	R3176	401 219 1602	MT-GLAZE 100K FA 1/16W
R2107	401 105 4106	MT-GLAZE 3.3K JA 1/16W	R3177	401 105 5301	MT-GLAZE 4.7K JA 1/16W
R2108	401 105 4106	MT-GLAZE 3.3K JA 1/16W	R3178	401 105 6001	MT-GLAZE 5.6K JA 1/16W
R2109	401 105 7909	MT-GLAZE 0.000 ZA 1/16W	R3179	401 286 3400	MT-GLAZE 10 FA 1/16W
R2110	401 105 7909	MT-GLAZE 0.000 ZA 1/16W	R3180	401 105 0603	MT-GLAZE 10K JA 1/16W
R2111	401 105 7909	MT-GLAZE 0.000 ZA 1/16W	R3181	401 105 0504	MT-GLAZE 1K JA 1/16W
R2112	401 105 7909	MT-GLAZE 0.000 ZA 1/16W	R3182	401 105 0504	MT-GLAZE 1K JA 1/16W
R2113	401 105 0405	MT-GLAZE 100 JA 1/16W	R3183	401 105 5202	MT-GLAZE 470 JA 1/16W
R2114	401 105 0405	MT-GLAZE 100 JA 1/16W	R3184	401 105 0504	MT-GLAZE 1K JA 1/16W
R2116	401 105 5301	MT-GLAZE 4.7K JA 1/16W	R3185	401 105 0504	MT-GLAZE 1K JA 1/16W
R2117	401 105 8104	MT-GLAZE 56K JA 1/16W	R3186	401 105 5202	MT-GLAZE 470 JA 1/16W
R2118	401 105 5905	MT-GLAZE 560 JA 1/16W	R3187	401 105 0504	MT-GLAZE 1K JA 1/16W
R2119	401 105 0504	MT-GLAZE 1K JA 1/16W	R3188	401 105 0504	MT-GLAZE 1K JA 1/16W
R2120	401 105 1501	MT-GLAZE 1.5K JA 1/16W	R3189	401 105 4007	MT-GLAZE 330 JA 1/16W
R2121	401 105 0603	MT-GLAZE 10K JA 1/16W	R3190	401 105 4007	MT-GLAZE 330 JA 1/16W
R2122	401 105 0900	MT-GLAZE 120 JA 1/16W	R3191	401 105 0405	MT-GLAZE 100 JA 1/16W
R2123	401 226 1206	MT-GLAZE 150 FA 1/16W	R3193	401 105 0702	MT-GLAZE 100K JA 1/16W
R2124	401 105 7909	MT-GLAZE 0.000 ZA 1/16W	R4101	401 217 5404	MT-GLAZE 47K FA 1/16W
R2125	401 105 7909	MT-GLAZE 0.000 ZA 1/16W	R4102	401 105 0504	MT-GLAZE 1K JA 1/16W
R2126	401 105 0405	MT-GLAZE 100 JA 1/16W	R4103	401 105 0504	MT-GLAZE 1K JA 1/16W
R2127	401 105 0405	MT-GLAZE 100 JA 1/16W	R4104	401 105 0405	MT-GLAZE 100 JA 1/16W
R2128	401 105 0405	MT-GLAZE 100 JA 1/16W	R4105	401 105 0405	MT-GLAZE 100 JA 1/16W
R2129	401 105 7909	MT-GLAZE 0.000 ZA 1/16W	R4106	401 105 0405	MT-GLAZE 100 JA 1/16W
R2130	401 105 4601	MT-GLAZE 3.9K JA 1/16W	R4108	401 105 0603	MT-GLAZE 10K JA 1/16W
R2131	401 105 7909	MT-GLAZE 0.000 ZA 1/16W	R4109	401 105 0603	MT-GLAZE 10K JA 1/16W
R2132	401 105 7909	MT-GLAZE 0.000 ZA 1/16W	R4110	401 105 0603	MT-GLAZE 10K JA 1/16W
R2140	401 038 2002	MT-GLAZE 270 JA 1/10W	R4111	401 105 0603	MT-GLAZE 10K JA 1/16W
R2141	401 105 0405	MT-GLAZE 100 JA 1/16W	R4112	401 114 0502	MT-GLAZE 2.2M JA 1/16W
R2142	401 105 0405	MT-GLAZE 100 JA 1/16W	R4113	401 105 0603	MT-GLAZE 10K JA 1/16W
R2144	401 105 7909	MT-GLAZE 0.000 ZA 1/16W	R4116	401 105 0405	MT-GLAZE 100 JA 1/16W
R2145	401 105 0405	MT-GLAZE 100 JA 1/16W	R4117	401 105 0405	MT-GLAZE 100 JA 1/16W
R2146	401 105 0405	MT-GLAZE 100 JA 1/16W	R4118	401 105 0405	MT-GLAZE 100 JA 1/16W
R2147	401 105 0405	MT-GLAZE 100 JA 1/16W	R4119	401 105 0900	MT-GLAZE 120 JA 1/16W
R2148	401 105 0405	MT-GLAZE 100 JA 1/16W	R4122	401 105 0405	MT-GLAZE 100 JA 1/16W
R2149	401 105 0603	MT-GLAZE 10K JA 1/16W	R4124	401 105 0405	MT-GLAZE 100 JA 1/16W
R2150	401 038 2002	MT-GLAZE 270 JA 1/10W	R4125	401 105 0405	MT-GLAZE 100 JA 1/16W
R2151	401 037 5004	MT-GLAZE 0.000 ZA 1/10W	R4126	401 217 4100	MT-GLAZE 22K FA 1/16W
R2153	401 105 0603	MT-GLAZE 10K JA 1/16W	R4127	401 105 1501	MT-GLAZE 1.5K JA 1/16W
R2155	401 105 0405	MT-GLAZE 100 JA 1/16W	R4128	401 105 6001	MT-GLAZE 5.6K JA 1/16W
R2156	401 105 0405	MT-GLAZE 100 JA 1/16W	R4181	401 105 6605	MT-GLAZE 6.8K JA 1/16W
R2157	401 105 0504	MT-GLAZE 1K JA 1/16W	R4182	401 105 7305	MT-GLAZE 820 JA 1/16W
R2160	401 105 2805	MT-GLAZE 2.2K JA 1/16W	R4183	401 105 0504	MT-GLAZE 1K JA 1/16W
R2161	401 105 7404	MT-GLAZE 8.2K JA 1/16W	R4184	401 105 6001	MT-GLAZE 5.6K JA 1/16W
R2162	401 105 0603	MT-GLAZE 10K JA 1/16W	R4186	401 158 4108	MT-GLAZE 4.7 JA 1/16W
R2163	401 105 2706	MT-GLAZE 220 JA 1/16W	R4187	401 105 1907	MT-GLAZE 180 JA 1/16W
R2164	401 105 4106	MT-GLAZE 3.3K JA 1/16W	R4188	401 112 8005	MT-GLAZE 5.6 JA 1/16W
R2165	401 105 7909	MT-GLAZE 0.000 ZA 1/16W	R4189	401 105 6605	MT-GLAZE 6.8K JA 1/16W
R2167	401 105 0405	MT-GLAZE 100 JA 1/16W	R4190	401 105 2904	MT-GLAZE 22K JA 1/16W
R2168	401 105 0405	MT-GLAZE 100 JA 1/16W	R4191	401 105 7305	MT-GLAZE 820 JA 1/16W
R2169	401 105 0405	MT-GLAZE 100 JA 1/16W	R5100	401 105 2904	MT-GLAZE 22K JA 1/16W
R2170	401 105 4007	MT-GLAZE 330 JA 1/16W	R5101	401 105 1709	MT-GLAZE 150K JA 1/16W

Electrical Parts List

Ref. No.	Part No.	Description	Ref. No.	Part No.	Description
R5102	401 105 0504	MT-GLAZE 1K JA 1/16W	D133	407 209 1201	ZD UDZS-TE-176.2B
R5103	401 105 0702	MT-GLAZE 100K JA 1/16W	D134	407 209 1201	ZD UDZS-TE-176.2B
R5104	401 105 4205	MT-GLAZE 33K JA 1/16W	D2140	407 206 6308	ZD UDZS-TE-175.1B
R5105	401 105 0702	MT-GLAZE 100K JA 1/16W	D3121	407 149 0807	DIODE 1SS355-TE-17
R5106	401 105 8005	MT-GLAZE 1M JA 1/16W	D3131	407 206 6308	ZD UDZS-TE-175.1B
R5107	401 105 5905	MT-GLAZE 560 JA 1/16W	D4181	407 149 0807	DIODE 1SS355-TE-17
R5108	401 105 7305	MT-GLAZE 820 JA 1/16W	D4182	407 149 0807	DIODE 1SS355-TE-17
R5109	401 217 3905	MT-GLAZE 3.3K FA 1/16W	D5101	407 216 7609	VARIABLE DI HVU17
R5110	401 105 8203	MT-GLAZE 68K JA 1/16W	MISCELLANEOUS		
R5111	401 217 3905	MT-GLAZE 3.3K FA 1/16W	TP141	645 036 5010	TERMINAL
R5113	401 105 1006	MT-GLAZE 1.2K JA 1/16W	TP142	645 036 5010	TERMINAL
R5116	401 105 7305	MT-GLAZE 820 JA 1/16W	TP3141	645 036 5010	TERMINAL
R5117	401 105 7404	MT-GLAZE 8.2K JA 1/16W	TP3142	645 036 5010	TERMINAL
R5118	401 105 0504	MT-GLAZE 1K JA 1/16W	TP5101	645 036 5010	TERMINAL
R5119	401 105 0603	MT-GLAZE 10K JA 1/16W	TP5102	645 036 5010	TERMINAL
R5120	401 105 4700	MT-GLAZE 39K JA 1/16W	TP5103	645 036 5010	TERMINAL
R5121	401 105 0603	MT-GLAZE 10K JA 1/16W	TP5181	645 036 5010	TERMINAL
R5122	401 105 7404	MT-GLAZE 8.2K JA 1/16W	TP5182	645 036 5010	TERMINAL
R5123	401 105 0504	MT-GLAZE 1K JA 1/16W	TP5183	645 036 5010	TERMINAL
R5124	401 105 0405	MT-GLAZE 100 JA 1/16W	K101	645 040 9974	JACK, RCA-2
R5125	401 105 0504	MT-GLAZE 1K JA 1/16W	K121	645 040 9967	SOCKET, DIN 4P
R5126	401 105 0603	MT-GLAZE 10K JA 1/16W	K131	645 031 6067	SOCKET, BNC 2P
R5127	401 105 6506	MT-GLAZE 680 JA 1/16W	K3101	645 041 6071	SOCKET, I/O 176P
R5128	401 105 0504	MT-GLAZE 1K JA 1/16W	K3101A	610 289 9795	JOINT GUIDE BUSH ML6A
R5129	401 105 0603	MT-GLAZE 10K JA 1/16W	K3101B	610 289 9795	JOINT GUIDE BUSH ML6A
R5130	401 105 2904	MT-GLAZE 22K JA 1/16W	X1101	645 028 5622	OSC, CRYSTAL 20.000MHZ
R5131	401 105 0504	MT-GLAZE 1K JA 1/16W		645 028 5646	OSC, CRYSTAL 20.000MHZ
R5132	401 105 0603	MT-GLAZE 10K JA 1/16W	X3141	610 012 0532	OSC, CERAMIC 500.0KHZ
R5133	401 105 0405	MT-GLAZE 100 JA 1/16W	X3142	645 024 8788	OSC, CRYSTAL 3.579545MHZ
R5134	401 105 0405	MT-GLAZE 100 JA 1/16W		645 025 1108	OSC, CRYSTAL 3.579545MHZ
R5135	401 105 0405	MT-GLAZE 100 JA 1/16W	X3143	645 024 8801	OSC, CRYSTAL 4.433619MHZ
R5136	401 105 0405	MT-GLAZE 100 JA 1/16W		645 025 1122	OSC, CRYSTAL 4.433619MHZ
R5137	401 105 7909	MT-GLAZE 0.000 ZA 1/16W	X3145	645 028 1372	OSC, CRYSTAL 3.575611MHZ
R5138	401 105 7909	MT-GLAZE 0.000 ZA 1/16W	X3146	645 028 1365	OSC, CRYSTAL 3.582056MHZ
R5139	401 105 7909	MT-GLAZE 0.000 ZA 1/16W	X5101	645 040 7819	OSC, CRYSTAL 17.734475MHZ
R5140	401 105 7909	MT-GLAZE 0.000 ZA 1/16W	*****		
R5141	401 105 7909	MT-GLAZE 0.000 ZA 1/16W	PWB assembly for TERMINAL BOARD D-SUB15		
R5142	401 105 0504	MT-GLAZE 1K JA 1/16W	610 287 0138 ASSY, PWB, D-SUB15 ML6A		
R5143	401 105 5202	MT-GLAZE 470 JA 1/16W	TRANSISTOR		
R5150	401 105 4700	MT-GLAZE 39K JA 1/16W	Q7161	405 014 4509	TR 2SC2412K T146 R
R5160	401 105 0504	MT-GLAZE 1K JA 1/16W		405 014 4608	TR 2SC2412K T146 S
R5170	401 105 0504	MT-GLAZE 1K JA 1/16W		405 015 8704	TR 2SC2812-L6-TB
R5180	401 203 9904	MT-GLAZE 4.7K FA 1/16W		405 015 8902	TR 2SC2812-L7-TB
R5181	401 105 0405	MT-GLAZE 100 JA 1/16W		405 163 1602	TR 2SC2812N-L6-TB0
R5182	401 105 0405	MT-GLAZE 100 JA 1/16W		405 163 1701	TR 2SC2812N-L7-TB0
R5183	401 105 0405	MT-GLAZE 100 JA 1/16W	Q7171	405 014 4509	TR 2SC2412K T146 R
R5184	401 113 4402	MT-GLAZE 75 JA 1/16W		405 014 4608	TR 2SC2412K T146 S
R5185	401 105 0504	MT-GLAZE 1K JA 1/16W		405 015 8704	TR 2SC2812-L6-TB
R5187	401 113 4402	MT-GLAZE 75 JA 1/16W		405 015 8902	TR 2SC2812-L7-TB
R5188	401 105 0504	MT-GLAZE 1K JA 1/16W		405 163 1602	TR 2SC2812N-L6-TB0
R5191	401 113 4402	MT-GLAZE 75 JA 1/16W		405 163 1701	TR 2SC2812N-L7-TB0
R5192	401 105 0504	MT-GLAZE 1K JA 1/16W	Q7181	405 014 4509	TR 2SC2412K T146 R
TRANSFORMER				405 014 4608	TR 2SC2412K T146 S
TE5184	645 036 5010	TERMINAL		405 015 8704	TR 2SC2812-L6-TB
COIL				405 015 8902	TR 2SC2812-L7-TB
L101	645 014 2659	FILTER, EMI 10MHZ		405 163 1602	TR 2SC2812N-L6-TB0
L102	645 014 2659	FILTER, EMI 10MHZ		405 163 1701	TR 2SC2812N-L7-TB0
L1101	645 004 1587	INDUCTOR, 4.7U J	Q7182	405 014 4509	TR 2SC2412K T146 R
L1104	645 026 1008	INDUCTOR, 3.3U M		405 014 4608	TR 2SC2412K T146 S
L1131	645 026 1008	INDUCTOR, 3.3U M		405 015 8704	TR 2SC2812-L6-TB
L1151	645 044 3626	FILTER, LP 7MHZ		405 015 8902	TR 2SC2812-L7-TB
L1161	645 044 3626	FILTER, LP 7MHZ		405 163 1602	TR 2SC2812N-L6-TB0
L1162	645 021 1607	INDUCTOR, 10U J		405 163 1701	TR 2SC2812N-L7-TB0
L121	401 037 5004	MT-GLAZE 0.000 ZA 1/10W	Q7183	405 014 4509	TR 2SC2412K T146 R
L122	401 037 5004	MT-GLAZE 0.000 ZA 1/10W		405 014 4608	TR 2SC2412K T146 S
L123	645 002 3910	FILTER, EMI 100MHZ		405 015 8704	TR 2SC2812-L6-TB
L124	645 002 3910	FILTER, EMI 100MHZ		405 015 8902	TR 2SC2812-L7-TB
L125	645 014 2659	FILTER, EMI 10MHZ		405 163 1602	TR 2SC2812N-L6-TB0
L131	401 037 5004	MT-GLAZE 0.000 ZA 1/10W		405 163 1701	TR 2SC2812N-L7-TB0
L132	645 002 3910	FILTER, EMI 100MHZ	Q7184	405 014 4509	TR 2SC2412K T146 R
L133	401 037 5004	MT-GLAZE 0.000 ZA 1/10W		405 014 4608	TR 2SC2412K T146 S
L134	645 002 3910	FILTER, EMI 100MHZ		405 015 8704	TR 2SC2812-L6-TB
L161	645 044 3626	FILTER, LP 7MHZ		405 015 8902	TR 2SC2812-L7-TB
L2101	645 026 1008	INDUCTOR, 3.3U M		405 163 1602	TR 2SC2812N-L6-TB0
L2102	645 026 1008	INDUCTOR, 3.3U M		405 163 1701	TR 2SC2812N-L7-TB0
L2191	645 021 1614	INDUCTOR, 12U J	Q7211	405 014 4509	TR 2SC2412K T146 R
L5101	645 026 1008	INDUCTOR, 3.3U M		405 014 4608	TR 2SC2412K T146 S
L5102	645 021 1713	INDUCTOR, 39U J		405 015 8704	TR 2SC2812-L6-TB
L5103	645 021 1706	INDUCTOR, 33U J		405 015 8902	TR 2SC2812-L7-TB
L5104	645 021 1737	INDUCTOR, 47U J		405 163 1602	TR 2SC2812N-L6-TB0
L5121	645 021 1713	INDUCTOR, 39U J		405 163 1701	TR 2SC2812N-L7-TB0
DIODE			Q7215	405 014 4509	TR 2SC2412K T146 R
D101	407 187 8209	ZENER DIODE UDZ12B-TE-17		405 014 4608	TR 2SC2412K T146 S
D102	407 187 8209	ZENER DIODE UDZ12B-TE-17		405 015 8704	TR 2SC2812-L6-TB
D103	407 187 8209	ZENER DIODE UDZ12B-TE-17		405 015 8902	TR 2SC2812-L7-TB
D104	407 187 8209	ZENER DIODE UDZ12B-TE-17		405 163 1602	TR 2SC2812N-L6-TB0
D1101	407 149 0807	DIODE 1SS355-TE-17		405 163 1701	TR 2SC2812N-L7-TB0
D1121	407 149 0807	DIODE 1SS355-TE-17		405 014 4509	TR 2SC2412K T146 R
D121	407 209 1201	ZD UDZS-TE-176.2B		405 014 4608	TR 2SC2412K T146 S
D122	407 209 1201	ZD UDZS-TE-176.2B		405 015 8704	TR 2SC2812-L6-TB
D123	407 209 1201	ZD UDZS-TE-176.2B		405 015 8902	TR 2SC2812-L7-TB
D124	407 209 1201	ZD UDZS-TE-176.2B		405 163 1602	TR 2SC2812N-L6-TB0
D125	407 187 8209	ZENER DIODE UDZ12B-TE-17		405 163 1701	TR 2SC2812N-L7-TB0
D131	407 209 1201	ZD UDZS-TE-176.2B		405 014 4509	TR 2SC2412K T146 R
D132	407 209 1201	ZD UDZS-TE-176.2B		405 014 4608	TR 2SC2412K T146 S
			INTEGRATED CIRCUIT		
			IC7102	409 429 6400	IC AD8055ART
			IC7103	409 429 6400	IC AD8055ART
			IC7104	409 429 6400	IC AD8055ART
			IC7105	410 343 7008	IC SN74AHCT1G14DBVR
			IC7106	410 343 7008	IC SN74AHCT1G14DBVR

Electrical Parts List

Ref. No.	Part No.	Description	Ref. No.	Part No.	Description
IC7141	409 484 2003	IC BA7078AF-E2	R7124	401 105 4502	MT-GLAZE 390 JA 1/16W
IC7142	410 343 7008	IC SN74AHCT1G14DBVR	R7127	401 105 0504	MT-GLAZE 1K JA 1/16W
IC7143	410 343 7008	IC SN74AHCT1G14DBVR	R7129	401 105 4502	MT-GLAZE 390 JA 1/16W
IC7144	410 343 7008	IC SN74AHCT1G14DBVR	R7133	401 105 0504	MT-GLAZE 1K JA 1/16W
IC7161	409 441 8406	IC LA7217M-T-TRM	R7135	401 105 4502	MT-GLAZE 390 JA 1/16W
IC7171	409 445 7306	IC QS3125QX	R7138	401 105 0504	MT-GLAZE 1K JA 1/16W
IC7172	409 404 6302	IC M62320FP	R7143	401 105 7909	MT-GLAZE 0.000 ZA 1/16W
IC7191	409 462 0304	IC 24LC21AT/SN	R7146	401 105 0405	MT-GLAZE 100 JA 1/16W
IC7192	409 051 2900	IC TC4053BF (EL)	R7147	401 105 8005	MT-GLAZE 1M JA 1/16W
IC7221	409 344 1900	IC MN1382-Q-TX	R7148	401 105 4601	MT-GLAZE 3.9K JA 1/16W
IC7231	409 380 6303	IC HIN232CB	R7149	401 105 0405	MT-GLAZE 100 JA 1/16W
	409 273 3501	IC SP232ACT	R7151	401 105 0405	MT-GLAZE 100 JA 1/16W
IC7241	410 296 2402	IC TMP47C101M-JV45	R7152	401 105 0405	MT-GLAZE 100 JA 1/16W
IC7251	410 296 5700	IC TWM7000-151020	R7153	401 105 0405	MT-GLAZE 100 JA 1/16W
IC7261	410 275 5707	IC TWM7000-162020	R7154	401 105 0405	MT-GLAZE 100 JA 1/16W
	410 275 5806	IC TWM7000-162020	R7155	401 105 0405	MT-GLAZE 100 JA 1/16W
IC7271	409 416 6505	IC BA05FP-E2	R7156	401 105 0405	MT-GLAZE 100 JA 1/16W
IC7281	409 463 7500	IC 24LC02BT/SN-T	R7160TM	401 105 8005	MT-GLAZE 1M JA 1/16W
	409 417 5507	IC 24LC04BT/SN	R7162	401 105 0603	MT-GLAZE 10K JA 1/16W
CAPACITOR			R7163	401 105 4106	MT-GLAZE 3.3K JA 1/16W
C7101	403 267 0606	NP-ELECT 4.7U M 16V	R7164	401 105 2102	MT-GLAZE 18K JA 1/16W
C7102	403 267 0606	NP-ELECT 4.7U M 16V	R7165	401 105 0504	MT-GLAZE 1K JA 1/16W
C7103	403 155 1500	CERAMIC 180P J 50V	R7166	401 105 1709	MT-GLAZE 150K JA 1/16W
C7104	403 146 0505	CERAMIC 1200P K 50V	R7167	401 105 0405	MT-GLAZE 100 JA 1/16W
C7105	403 280 0805	ELECT 330U M 6.3V	R7169	401 105 7909	MT-GLAZE 0.000 ZA 1/16W
C7106	403 164 0204	CERAMIC 0.1U Z 25V	R7170	401 105 5905	MT-GLAZE 560 JA 1/16W
C7107	403 157 1904	CERAMIC 10P D 50V	R7171	401 105 4601	MT-GLAZE 3.9K JA 1/16W
C7108	403 157 1904	CERAMIC 10P D 50V	R7172	401 105 7909	MT-GLAZE 0.000 ZA 1/16W
C7109	403 157 1904	CERAMIC 10P D 50V	R7173	401 105 7909	MT-GLAZE 0.000 ZA 1/16W
C7111	403 280 0805	ELECT 330U M 6.3V	R7174	401 105 7909	MT-GLAZE 0.000 ZA 1/16W
C7112	403 164 0204	CERAMIC 0.1U Z 25V	R7175	401 105 7909	MT-GLAZE 0.000 ZA 1/16W
C7113	403 157 1508	CERAMIC 3P C 50V	R7176	401 105 0603	MT-GLAZE 10K JA 1/16W
C7114	403 157 1508	CERAMIC 3P C 50V	R7177	401 105 4700	MT-GLAZE 39K JA 1/16W
C7115	403 157 1508	CERAMIC 3P C 50V	R7178	401 105 0603	MT-GLAZE 10K JA 1/16W
C7143	403 267 0606	NP-ELECT 4.7U M 16V	R7179	401 105 0603	MT-GLAZE 10K JA 1/16W
C7144	403 266 8108	NP-ELECT 1U M 50V	R7181	401 105 0603	MT-GLAZE 10K JA 1/16W
C7145	403 162 6208	ELECT 1U M 50V	R7182	401 105 0603	MT-GLAZE 10K JA 1/16W
C7146	403 266 8108	NP-ELECT 1U M 50V	R7183	401 105 0603	MT-GLAZE 10K JA 1/16W
C7148	403 162 6604	ELECT 2.2U M 50V	R7184	401 105 0603	MT-GLAZE 10K JA 1/16W
C7149	403 162 6208	ELECT 1U M 50V	R7185	401 105 0504	MT-GLAZE 1K JA 1/16W
C7151	403 157 3601	CERAMIC 100P J 50V	R7191	401 105 5301	MT-GLAZE 4.7K JA 1/16W
C7152	403 164 0204	CERAMIC 0.1U Z 25V	R7192	401 105 5301	MT-GLAZE 4.7K JA 1/16W
C7153	403 280 0805	ELECT 330U M 6.3V	R7193	401 105 0603	MT-GLAZE 10K JA 1/16W
C7154	403 164 0204	CERAMIC 0.1U Z 25V	R7194	401 105 0603	MT-GLAZE 10K JA 1/16W
C7155	403 175 4505	ELECT 47U M 6.3V	R7195	401 105 0603	MT-GLAZE 10K JA 1/16W
C7161	403 266 8207	NP-ELECT 10U M 16V	R7201	401 105 5509	MT-GLAZE 470K JA 1/16W
C7162	403 164 0204	CERAMIC 0.1U Z 25V	R7202	401 105 5509	MT-GLAZE 470K JA 1/16W
C7164	403 266 8108	NP-ELECT 1U M 50V	R7203	401 105 0405	MT-GLAZE 100 JA 1/16W
C7165	403 308 2101	CERAMIC 0.056U K 16V	R7204	401 105 0405	MT-GLAZE 100 JA 1/16W
C7166	403 215 2904	CERAMIC 0.022U K 25V	R7206	401 105 0603	MT-GLAZE 10K JA 1/16W
C7167	403 157 6909	CERAMIC 820P K 50V	R7207	401 105 4205	MT-GLAZE 33K JA 1/16W
C7168	403 215 2201	CERAMIC 0.01U K 50V	R7208	401 105 3000	MT-GLAZE 220K JA 1/16W
C7169	403 162 6208	ELECT 1U M 50V	R7209	401 105 3000	MT-GLAZE 220K JA 1/16W
C7171	403 280 0805	ELECT 330U M 6.3V	R7211	401 105 3000	MT-GLAZE 220K JA 1/16W
C7172	403 164 0204	CERAMIC 0.1U Z 25V	R7212	401 105 0405	MT-GLAZE 100 JA 1/16W
C7173	403 164 0204	CERAMIC 0.1U Z 25V	R7213	401 105 2805	MT-GLAZE 2.2K JA 1/16W
C7181	403 157 3106	CERAMIC 56P J 50V	R7214	401 105 0405	MT-GLAZE 100 JA 1/16W
C7182	403 157 3106	CERAMIC 56P J 50V	R7215	401 105 3000	MT-GLAZE 220K JA 1/16W
C7183	403 157 3106	CERAMIC 56P J 50V	R7216	401 105 0405	MT-GLAZE 100 JA 1/16W
C7201	403 162 4709	ELECT 10U M 16V	R7217	401 105 2805	MT-GLAZE 2.2K JA 1/16W
C7202	403 162 4709	ELECT 10U M 16V	R7218	401 105 0405	MT-GLAZE 100 JA 1/16W
C7221	403 283 6309	CERAMIC 1U Z 10V	R7221	401 105 7909	MT-GLAZE 0.000 ZA 1/16W
C7231	403 283 6309	CERAMIC 1U Z 10V	R7222	401 105 7909	MT-GLAZE 0.000 ZA 1/16W
C7232	403 162 6208	ELECT 1U M 50V	R7231	401 105 7909	MT-GLAZE 0.000 ZA 1/16W
C7233	403 162 6208	ELECT 1U M 50V	R7245	401 105 0603	MT-GLAZE 10K JA 1/16W
C7234	403 162 6208	ELECT 1U M 50V	R7246	401 105 0603	MT-GLAZE 10K JA 1/16W
C7235	403 162 6208	ELECT 1U M 50V	R7247	401 105 0603	MT-GLAZE 10K JA 1/16W
C7241	403 283 6309	CERAMIC 1U Z 10V	R7248	401 105 7909	MT-GLAZE 0.000 ZA 1/16W
C7251	403 175 4505	ELECT 47U M 6.3V	R7251	401 105 0603	MT-GLAZE 10K JA 1/16W
C7252	403 283 6309	CERAMIC 1U Z 10V	R7252	401 105 0603	MT-GLAZE 10K JA 1/16W
C7253	403 162 6208	ELECT 1U M 50V	R7253	401 105 7909	MT-GLAZE 0.000 ZA 1/16W
C7254	403 283 6309	CERAMIC 1U Z 10V	R7254	401 105 7909	MT-GLAZE 0.000 ZA 1/16W
C7261	403 283 6309	CERAMIC 1U Z 10V	R7261	401 105 0603	MT-GLAZE 10K JA 1/16W
C7262	403 283 6309	CERAMIC 1U Z 10V	R7262	401 105 0603	MT-GLAZE 10K JA 1/16W
C7271	403 280 0805	ELECT 330U M 6.3V	R7263	401 105 0405	MT-GLAZE 100 JA 1/16W
C7272	403 164 0204	CERAMIC 0.1U Z 25V	R7264	401 105 0603	MT-GLAZE 10K JA 1/16W
RESISTOR			R7265	401 105 0603	MT-GLAZE 10K JA 1/16W
RB7241	645 025 5380	R-NETWORK 10KX4 1/16W	R7266	401 105 7909	MT-GLAZE 0.000 ZA 1/16W
	645 026 8014	R-NETWORK 10KX4 1/16W	R7281	401 105 0405	MT-GLAZE 100 JA 1/16W
R7101	401 226 1206	MT-GLAZE 150 FA 1/16W	R7282	401 105 0405	MT-GLAZE 100 JA 1/16W
R7102	401 226 1206	MT-GLAZE 150 FA 1/16W	R7283	401 105 0603	MT-GLAZE 10K JA 1/16W
R7103	401 105 7909	MT-GLAZE 0.000 ZA 1/16W	R7284	401 105 0603	MT-GLAZE 10K JA 1/16W
R7104	401 226 1206	MT-GLAZE 150 FA 1/16W	R7285	401 105 0603	MT-GLAZE 10K JA 1/16W
R7105	401 226 1206	MT-GLAZE 150 FA 1/16W	R7286	401 105 7909	MT-GLAZE 0.000 ZA 1/16W
R7106	401 105 7909	MT-GLAZE 0.000 ZA 1/16W	R7288	401 035 4108	MT-GLAZE 0.000 ZA 1/8W
R7107	401 226 1206	MT-GLAZE 150 FA 1/16W	COIL		
R7108	401 226 1206	MT-GLAZE 150 FA 1/16W	L7104	645 025 0637	FILTER,EMI 190PF
R7109	401 105 7909	MT-GLAZE 0.000 ZA 1/16W	L7105	645 025 0637	FILTER,EMI 190PF
R7112	401 105 7909	MT-GLAZE 0.000 ZA 1/16W	L7201	645 014 2659	FILTER,EMI 10MHZ
R7114	401 105 0405	MT-GLAZE 100 JA 1/16W	L7202	645 014 2659	FILTER,EMI 10MHZ
R7116	401 105 7909	MT-GLAZE 0.000 ZA 1/16W	L7203	645 014 2659	FILTER,EMI 10MHZ
R7118	401 105 0405	MT-GLAZE 100 JA 1/16W	L7204	645 014 2659	FILTER,EMI 10MHZ
R7119	401 105 0405	MT-GLAZE 100 JA 1/16W	L7205	645 014 2659	FILTER,EMI 10MHZ
R7121	401 105 2607	MT-GLAZE 22 JA 1/16W	L7206	645 014 2659	FILTER,EMI 10MHZ
R7122	401 105 2607	MT-GLAZE 22 JA 1/16W	L7207	645 014 2659	FILTER,EMI 10MHZ

Electrical Parts List

Ref. No.	Part No.	Description	Ref. No.	Part No.	Description
L7208	645 014 2659	FILTER,EMI 10MHZ	Q9012	405 047 9007	TR 2SB1204-S-TL
L7209	645 014 2659	FILTER,EMI 10MHZ		405 047 9106	TR 2SB1204-T-TL
DIODE			Q9013	405 014 4509	TR 2SC2412K T146 R
D7101	407 209 1201	ZD UDZS-TE-176.2B		405 014 4608	TR 2SC2412K T146 S
D7102	407 209 1201	ZD UDZS-TE-176.2B		405 015 8704	TR 2SC2812-L6-TB
D7103	407 209 1201	ZD UDZS-TE-176.2B		405 015 8902	TR 2SC2812-L7-TB
D7104	407 209 1201	ZD UDZS-TE-176.2B		405 163 1602	TR 2SC2812N-L6-TB0
D7105	407 209 1201	ZD UDZS-TE-176.2B		405 163 1701	TR 2SC2812N-L7-TB0
D7106	407 209 1201	ZD UDZS-TE-176.2B	Q9016	405 047 9007	TR 2SB1204-S-TL
D7107	407 209 1201	ZD UDZS-TE-176.2B		405 047 9106	TR 2SB1204-T-TL
D7108	407 209 1201	ZD UDZS-TE-176.2B	Q9017	405 014 4509	TR 2SC2412K T146 R
D7109	407 209 1201	ZD UDZS-TE-176.2B		405 014 4608	TR 2SC2412K T146 S
D7111	407 209 1201	ZD UDZS-TE-176.2B		405 015 8704	TR 2SC2812-L6-TB
D7112	407 149 0807	DIODE 1SS355-TE-17		405 015 8902	TR 2SC2812-L7-TB
D7113	407 149 0807	DIODE 1SS355-TE-17		405 163 1602	TR 2SC2812N-L6-TB0
D7114	407 209 1201	ZD UDZS-TE-176.2B		405 163 1701	TR 2SC2812N-L7-TB0
D7115	407 209 1201	ZD UDZS-TE-176.2B	Q9021	405 047 9007	TR 2SB1204-S-TL
D7191	407 149 0807	DIODE 1SS355-TE-17		405 047 9106	TR 2SB1204-T-TL
D7192	407 149 0807	DIODE 1SS355-TE-17	Q9022	405 014 4509	TR 2SC2412K T146 R
D7195	407 149 0807	DIODE 1SS355-TE-17		405 014 4608	TR 2SC2412K T146 S
D7196	407 149 0807	DIODE 1SS355-TE-17		405 015 8704	TR 2SC2812-L6-TB
D7201	407 187 8209	ZENER DIODE UDZ12B-TE-17		405 015 8902	TR 2SC2812-L7-TB
D7202	407 187 8209	ZENER DIODE UDZ12B-TE-17		405 163 1602	TR 2SC2812N-L6-TB0
D7203	407 187 8209	ZENER DIODE UDZ12B-TE-17		405 163 1701	TR 2SC2812N-L7-TB0
D7204	407 187 8209	ZENER DIODE UDZ12B-TE-17	Q9025	405 047 9007	TR 2SB1204-S-TL
D7205	407 187 8209	ZENER DIODE UDZ12B-TE-17		405 047 9106	TR 2SB1204-T-TL
D7206	407 187 8209	ZENER DIODE UDZ12B-TE-17	Q9026	405 014 4509	TR 2SC2412K T146 R
D7207	407 187 8209	ZENER DIODE UDZ12B-TE-17		405 014 4608	TR 2SC2412K T146 S
D7208	407 187 8209	ZENER DIODE UDZ12B-TE-17		405 015 8704	TR 2SC2812-L6-TB
D7209	407 187 8209	ZENER DIODE UDZ12B-TE-17		405 015 8902	TR 2SC2812-L7-TB
D7211	407 187 8209	ZENER DIODE UDZ12B-TE-17		405 163 1602	TR 2SC2812N-L6-TB0
D7212	407 187 8209	ZENER DIODE UDZ12B-TE-17		405 163 1701	TR 2SC2812N-L7-TB0
D7213	407 187 8209	ZENER DIODE UDZ12B-TE-17	Q9027	405 014 4509	TR 2SC2412K T146 R
D7214	407 187 8209	ZENER DIODE UDZ12B-TE-17		405 014 4608	TR 2SC2412K T146 S
D7215	407 206 6308	ZD UDZS-TE-175.1B		405 015 8704	TR 2SC2812-L6-TB
MISCELLANEOUS				405 015 8902	TR 2SC2812-L7-TB
TP7101	645 036 5010	TERMINAL		405 163 1602	TR 2SC2812N-L6-TB0
TP7102	645 036 5010	TERMINAL		405 163 1701	TR 2SC2812N-L7-TB0
TP7103	645 036 5010	TERMINAL	Q9028	405 014 4509	TR 2SC2412K T146 R
TP7104	645 036 5010	TERMINAL		405 014 4608	TR 2SC2412K T146 S
TP7105	645 036 5010	TERMINAL		405 015 8704	TR 2SC2812-L6-TB
TP7106	645 036 5010	TERMINAL		405 015 8902	TR 2SC2812-L7-TB
TP7107	645 036 5010	TERMINAL		405 163 1602	TR 2SC2812N-L6-TB0
TP7108	645 036 5010	TERMINAL		405 163 1701	TR 2SC2812N-L7-TB0
TP7109	645 036 5010	TERMINAL		INTEGRATED CIRCUIT	
TP7111	645 036 5010	TERMINAL	IC9001	409 438 5500	IC TC4052BFT
TP7112	645 036 5010	TERMINAL	IC9002	409 438 5500	IC TC4052BFT
K71A	645 027 7092	SOCKET,D-SUB 15P	IC9005	409 153 5601	IC MC74F244M
	645 048 2205	SOCKET,D-SUB 15P		409 451 4108	IC SN74F244NSR
K71H	645 041 6071	SOCKET,I/O 176P	IC9006	409 476 0208	IC AD8184AR
K71H1	610 289 9795	JOINT GUIDE BUSH ML6A	IC9007	409 476 0208	IC AD8184AR
K71H2	610 289 9795	JOINT GUIDE BUSH ML6A	IC9008	409 476 0208	IC AD8184AR
K72A	645 040 9974	JACK,RCA-2	IC9009	409 461 7304	IC AD8057ART
K72B	645 041 1076	SOCKET,DIN 8P	IC9011	409 461 7304	IC AD8057ART
X7161	645 006 3459	OSC,CERAMIC 500.0KHZ	IC9012	409 461 7304	IC AD8057ART
X7241	645 024 8566	OSC,CERAMIC 6.00MHZ	IC9013	409 438 5500	IC TC4052BFT
	645 037 5217	OSC,CERAMIC 6.00MHZ	IC9014	409 445 7306	IC QS3125QX
X7251	645 021 1218	OSC,CERAMIC 8.00MHZ	IC9021	409 404 6302	IC M62320FP
	645 037 5187	OSC,CERAMIC 8.00MHZ	IC9022	409 404 6302	IC M62320FP
X7261	645 021 1218	OSC,CERAMIC 8.00MHZ	IC9091	409 416 6505	IC BA05FP-E2
	645 037 5187	OSC,CERAMIC 8.00MHZ	IC9092	409 416 6505	IC BA05FP-E2
			IC9093	409 416 6505	IC BA05FP-E2
			IC9094	409 416 6505	IC BA05FP-E2

ASSY,PWB,CGMOTHER MJ6A					
610 292 1335 ASSY, PWB, CGMOTHER MJ6A					
TRANSISTOR			CAPACITOR		
Q9001	405 014 4509	TR 2SC2412K T146 R	C9001	403 175 4505	ELECT 47U M 6.3V
	405 014 4608	TR 2SC2412K T146 S	C9002	403 164 0204	CERAMIC 0.1U Z 25V
	405 015 8704	TR 2SC2812-L6-TB	C9003	403 229 3508	ELECT 100U M 16V
	405 015 8902	TR 2SC2812-L7-TB	C9004	403 164 0204	CERAMIC 0.1U Z 25V
	405 163 1602	TR 2SC2812N-L6-TB0	C9005	403 205 7803	TA-SOLID 2.2U M 16V
	405 163 1701	TR 2SC2812N-L7-TB0	C9006	403 205 7803	TA-SOLID 2.2U M 16V
Q9002	405 134 5905	TR 2SA1037AK-T146-R	C9007	403 205 7803	TA-SOLID 2.2U M 16V
	405 147 2205	TR 2SA1037AK-S-T146	C9008	403 205 7803	TA-SOLID 2.2U M 16V
	405 002 0308	TR 2SA1037K T146 R	C9009	403 205 7803	TA-SOLID 2.2U M 16V
	405 002 0407	TR 2SA1037K T146 S	C9011	403 205 7803	TA-SOLID 2.2U M 16V
	405 002 6706	TR 2SA1179-M6-TB	C9012	403 205 7803	TA-SOLID 2.2U M 16V
	405 002 6904	TR 2SA1179-M7-TB	C9013	403 205 7803	TA-SOLID 2.2U M 16V
	405 163 1503	TR 2SA1179N-M6-TB	C9014	403 175 4505	ELECT 47U M 6.3V
	405 163 2708	TR 2SA1179N-M7-TB	C9015	403 164 0204	CERAMIC 0.1U Z 25V
Q9003	405 014 4509	TR 2SC2412K T146 R	C9016	403 175 4505	ELECT 47U M 6.3V
	405 014 4608	TR 2SC2412K T146 S	C9017	403 164 0204	CERAMIC 0.1U Z 25V
	405 015 8704	TR 2SC2812-L6-TB	C9018	403 175 4505	ELECT 47U M 6.3V
	405 015 8902	TR 2SC2812-L7-TB	C9019	403 164 0204	CERAMIC 0.1U Z 25V
	405 163 1602	TR 2SC2812N-L6-TB0	C9021	403 164 0204	CERAMIC 0.1U Z 25V
	405 163 1701	TR 2SC2812N-L7-TB0	C9022	403 175 4505	ELECT 47U M 6.3V
Q9004	405 134 5905	TR 2SA1037AK-T146-R	C9023	403 164 0204	CERAMIC 0.1U Z 25V
	405 147 2205	TR 2SA1037AK-S-T146	C9024	403 175 4505	ELECT 47U M 6.3V
	405 002 0308	TR 2SA1037K T146 R	C9025	403 164 0204	CERAMIC 0.1U Z 25V
	405 002 0407	TR 2SA1037K T146 S	C9026	403 175 4505	ELECT 47U M 6.3V
	405 002 6706	TR 2SA1179-M6-TB	C9027	403 164 0204	CERAMIC 0.1U Z 25V
	405 002 6904	TR 2SA1179-M7-TB	C9028	403 175 4505	ELECT 47U M 6.3V
	405 163 1503	TR 2SA1179N-M6-TB	C9029	403 164 0204	CERAMIC 0.1U Z 25V
	405 163 2708	TR 2SA1179N-M7-TB	C9031	403 175 4505	ELECT 47U M 6.3V
			C9032	403 164 0204	CERAMIC 0.1U Z 25V
			C9033	403 175 4505	ELECT 47U M 6.3V
			C9034	403 164 0204	CERAMIC 0.1U Z 25V

Electrical Parts List

Ref. No.	Part No.	Description	Ref. No.	Part No.	Description
C9035	403 175 4505	ELECT 47U M 6.3V	R9043	401 105 0702	MT-GLAZE 100K JA 1/16W
C9037	403 157 1904	CERAMIC 10P D 50V	R9044	401 105 0405	MT-GLAZE 100 JA 1/16W
C9038	401 105 7909	MT-GLAZE 0.000 ZA 1/16W	R9047	401 105 0603	MT-GLAZE 10K JA 1/16W
C9039	403 164 0204	CERAMIC 0.1U Z 25V	R9048	401 105 0603	MT-GLAZE 10K JA 1/16W
C9041	403 175 4505	ELECT 47U M 6.3V	R9049	401 105 0603	MT-GLAZE 10K JA 1/16W
C9042	403 164 0204	CERAMIC 0.1U Z 25V	R9050	401 105 0603	MT-GLAZE 10K JA 1/16W
C9043	403 175 4505	ELECT 47U M 6.3V	R9051	401 105 0603	MT-GLAZE 10K JA 1/16W
C9045	403 157 1904	CERAMIC 10P D 50V	R9052	401 105 0702	MT-GLAZE 100K JA 1/16W
C9046	401 105 7909	MT-GLAZE 0.000 ZA 1/16W	R9053	401 105 0405	MT-GLAZE 100 JA 1/16W
C9047	403 164 0204	CERAMIC 0.1U Z 25V	R9054	401 105 0702	MT-GLAZE 100K JA 1/16W
C9048	403 175 4505	ELECT 47U M 6.3V	R9055	401 105 0405	MT-GLAZE 100 JA 1/16W
C9049	403 164 0204	CERAMIC 0.1U Z 25V	R9056	401 105 0702	MT-GLAZE 100K JA 1/16W
C9051	403 175 4505	ELECT 47U M 6.3V	R9057	401 105 0405	MT-GLAZE 100 JA 1/16W
C9053	403 157 1904	CERAMIC 10P D 50V	R9058	401 105 0702	MT-GLAZE 100K JA 1/16W
C9054	401 105 7909	MT-GLAZE 0.000 ZA 1/16W	R9059	401 105 0405	MT-GLAZE 100 JA 1/16W
C9055	403 164 0204	CERAMIC 0.1U Z 25V	R9063	401 105 7909	MT-GLAZE 0.000 ZA 1/16W
C9056	403 175 4505	ELECT 47U M 6.3V	R9064	401 105 0405	MT-GLAZE 100 JA 1/16W
C9057	403 343 4900	ELECT 470U M 25V	R9065	401 105 0405	MT-GLAZE 100 JA 1/16W
C9058	403 343 4900	ELECT 470U M 25V	R9066	401 105 0603	MT-GLAZE 10K JA 1/16W
C9059	403 343 4900	ELECT 470U M 25V	R9067	401 105 0603	MT-GLAZE 10K JA 1/16W
C9061	403 343 4900	ELECT 470U M 25V	R9068	401 105 0603	MT-GLAZE 10K JA 1/16W
C9062	403 343 4900	ELECT 470U M 25V	R9069	401 105 0603	MT-GLAZE 10K JA 1/16W
C9063	403 343 4900	ELECT 470U M 25V	R9071	401 105 0603	MT-GLAZE 10K JA 1/16W
C9064	403 343 4900	ELECT 470U M 25V	R9072	401 105 0603	MT-GLAZE 10K JA 1/16W
C9065	403 343 4900	ELECT 470U M 25V	R9073	401 105 3307	MT-GLAZE 2.7K JA 1/16W
C9066	403 175 4505	ELECT 47U M 6.3V	R9074	401 105 1501	MT-GLAZE 1.5K JA 1/16W
C9067	403 164 0204	CERAMIC 0.1U Z 25V	R9075	401 105 5301	MT-GLAZE 4.7K JA 1/16W
C9068	403 175 4505	ELECT 47U M 6.3V	R9076	401 105 0603	MT-GLAZE 10K JA 1/16W
C9069	403 164 0204	CERAMIC 0.1U Z 25V	R9081	401 226 1206	MT-GLAZE 150 FA 1/16W
C9070	403 229 3508	ELECT 100U M 16V	R9082	401 226 1206	MT-GLAZE 150 FA 1/16W
C9071	403 164 0204	CERAMIC 0.1U Z 25V	R9083	401 105 0405	MT-GLAZE 100 JA 1/16W
C9072	403 175 4505	ELECT 47U M 6.3V	R9084	401 226 1206	MT-GLAZE 150 FA 1/16W
C9073	403 164 0204	CERAMIC 0.1U Z 25V	R9085	401 226 1206	MT-GLAZE 150 FA 1/16W
C9074	403 229 3508	ELECT 100U M 16V	R9086	401 105 0405	MT-GLAZE 100 JA 1/16W
C9075	403 164 0204	CERAMIC 0.1U Z 25V	R9087	401 226 1206	MT-GLAZE 150 FA 1/16W
C9076	403 175 4505	ELECT 47U M 6.3V	R9088	401 226 1206	MT-GLAZE 150 FA 1/16W
C9077	403 164 0204	CERAMIC 0.1U Z 25V	R9089	401 105 0405	MT-GLAZE 100 JA 1/16W
C9078	403 229 3508	ELECT 100U M 16V	R9091	401 226 1206	MT-GLAZE 150 FA 1/16W
C9079	403 164 0204	CERAMIC 0.1U Z 25V	R9092	401 226 1206	MT-GLAZE 150 FA 1/16W
C9080	403 175 4505	ELECT 47U M 6.3V	R9093	401 105 0405	MT-GLAZE 100 JA 1/16W
C9081	403 164 0204	CERAMIC 0.1U Z 25V	R9094	401 105 0306	MT-GLAZE 10 JA 1/16W
C9082	403 229 3508	ELECT 100U M 16V	R9095	401 105 0405	MT-GLAZE 100 JA 1/16W
C9083	403 164 0204	CERAMIC 0.1U Z 25V	R9096	401 105 0405	MT-GLAZE 100 JA 1/16W
C9084	403 164 0204	CERAMIC 0.1U Z 25V	R9097	401 105 0306	MT-GLAZE 10 JA 1/16W
C9091	403 162 4006	ELECT 22U M 6.3V	R9098	401 226 1206	MT-GLAZE 150 FA 1/16W
C9092	403 164 0204	CERAMIC 0.1U Z 25V	R9099	401 226 1206	MT-GLAZE 150 FA 1/16W
C9093	403 162 4006	ELECT 22U M 6.3V	R9100	401 105 3307	MT-GLAZE 2.7K JA 1/16W
C9094	403 164 0204	CERAMIC 0.1U Z 25V	R9101	401 105 0405	MT-GLAZE 100 JA 1/16W
C9095	403 162 4006	ELECT 22U M 6.3V	R9102	401 226 1206	MT-GLAZE 150 FA 1/16W
C9096	403 164 0204	CERAMIC 0.1U Z 25V	R9103	401 226 1206	MT-GLAZE 150 FA 1/16W
C9097	403 162 4006	ELECT 22U M 6.3V	R9104	401 105 0405	MT-GLAZE 100 JA 1/16W
C9098	403 164 0204	CERAMIC 0.1U Z 25V	R9105	401 226 1206	MT-GLAZE 150 FA 1/16W
RESISTOR					
R9001	401 105 0405	MT-GLAZE 100 JA 1/16W	R9106	401 226 1206	MT-GLAZE 150 FA 1/16W
R9002	401 105 0405	MT-GLAZE 100 JA 1/16W	R9107	401 105 0405	MT-GLAZE 100 JA 1/16W
R9003	401 105 0405	MT-GLAZE 100 JA 1/16W	R9108	401 226 1206	MT-GLAZE 150 FA 1/16W
R9004	401 105 0405	MT-GLAZE 100 JA 1/16W	R9109	401 226 1206	MT-GLAZE 150 FA 1/16W
R9005	401 105 0405	MT-GLAZE 100 JA 1/16W	R9110	401 105 1501	MT-GLAZE 1.5K JA 1/16W
R9006	401 105 0405	MT-GLAZE 100 JA 1/16W	R9111	401 105 0405	MT-GLAZE 100 JA 1/16W
R9007	401 105 0405	MT-GLAZE 100 JA 1/16W	R9112	401 105 0306	MT-GLAZE 10 JA 1/16W
R9008	401 105 0405	MT-GLAZE 100 JA 1/16W	R9113	401 105 0405	MT-GLAZE 100 JA 1/16W
R9009	401 105 0405	MT-GLAZE 100 JA 1/16W	R9114	401 105 0405	MT-GLAZE 100 JA 1/16W
R9010	401 105 0306	MT-GLAZE 10 JA 1/16W	R9115	401 105 0306	MT-GLAZE 10 JA 1/16W
R9011	401 105 0405	MT-GLAZE 100 JA 1/16W	R9116	401 226 1206	MT-GLAZE 150 FA 1/16W
R9012	401 105 0603	MT-GLAZE 10K JA 1/16W	R9117	401 226 1206	MT-GLAZE 150 FA 1/16W
R9013	401 105 0603	MT-GLAZE 10K JA 1/16W	R9118	401 105 0405	MT-GLAZE 100 JA 1/16W
R9014	401 105 0603	MT-GLAZE 10K JA 1/16W	R9119	401 226 1206	MT-GLAZE 150 FA 1/16W
R9015	401 105 0603	MT-GLAZE 10K JA 1/16W	R9120	401 105 5301	MT-GLAZE 4.7K JA 1/16W
R9016	401 105 0603	MT-GLAZE 10K JA 1/16W	R9121	401 226 1206	MT-GLAZE 150 FA 1/16W
R9017	401 105 0603	MT-GLAZE 10K JA 1/16W	R9122	401 105 0405	MT-GLAZE 100 JA 1/16W
R9018	401 105 0603	MT-GLAZE 10K JA 1/16W	R9123	401 226 1206	MT-GLAZE 150 FA 1/16W
R9019	401 105 0603	MT-GLAZE 10K JA 1/16W	R9124	401 226 1206	MT-GLAZE 150 FA 1/16W
R9020	401 105 0603	MT-GLAZE 10K JA 1/16W	R9125	401 105 0405	MT-GLAZE 100 JA 1/16W
R9021	401 105 0603	MT-GLAZE 10K JA 1/16W	R9126	401 226 1206	MT-GLAZE 150 FA 1/16W
R9022	401 105 2805	MT-GLAZE 2.2K JA 1/16W	R9127	401 226 1206	MT-GLAZE 150 FA 1/16W
R9023	401 105 2805	MT-GLAZE 2.2K JA 1/16W	R9128	401 105 0405	MT-GLAZE 100 JA 1/16W
R9024	401 105 0603	MT-GLAZE 10K JA 1/16W	R9129	401 105 0306	MT-GLAZE 10 JA 1/16W
R9025	401 105 2805	MT-GLAZE 2.2K JA 1/16W	R9130	401 105 0603	MT-GLAZE 10K JA 1/16W
R9026	401 105 2805	MT-GLAZE 2.2K JA 1/16W	R9131	401 105 0405	MT-GLAZE 100 JA 1/16W
R9027	401 105 0405	MT-GLAZE 100 JA 1/16W	R9132	401 105 0405	MT-GLAZE 100 JA 1/16W
R9028	401 105 0702	MT-GLAZE 100K JA 1/16W	R9133	401 105 0306	MT-GLAZE 10 JA 1/16W
R9029	401 105 0405	MT-GLAZE 100 JA 1/16W	R9134	401 105 0405	MT-GLAZE 100 JA 1/16W
R9030	401 105 0603	MT-GLAZE 10K JA 1/16W	R9135	401 257 7000	MT-GLAZE 820 FA 1/16W
R9031	401 105 0702	MT-GLAZE 100K JA 1/16W	R9136	401 257 7000	MT-GLAZE 820 FA 1/16W
R9032	401 105 0405	MT-GLAZE 100 JA 1/16W	R9137	401 105 0405	MT-GLAZE 100 JA 1/16W
R9033	401 105 0702	MT-GLAZE 100K JA 1/16W	R9138	401 257 7000	MT-GLAZE 820 FA 1/16W
R9034	401 105 0405	MT-GLAZE 100 JA 1/16W	R9139	401 257 7000	MT-GLAZE 820 FA 1/16W
R9035	401 105 0702	MT-GLAZE 100K JA 1/16W	R9141	401 105 0405	MT-GLAZE 100 JA 1/16W
R9036	401 105 0702	MT-GLAZE 100K JA 1/16W	R9142	401 257 7000	MT-GLAZE 820 FA 1/16W
R9037	401 105 0405	MT-GLAZE 100 JA 1/16W	R9143	401 257 7000	MT-GLAZE 820 FA 1/16W
R9038	401 105 0702	MT-GLAZE 100K JA 1/16W	R9144	401 113 4402	MT-GLAZE 75 JA 1/16W
R9039	401 105 0405	MT-GLAZE 100 JA 1/16W	R9145	401 113 4402	MT-GLAZE 75 JA 1/16W
R9040	401 105 0603	MT-GLAZE 10K JA 1/16W	R9146	401 113 4402	MT-GLAZE 75 JA 1/16W
R9041	401 105 0702	MT-GLAZE 100K JA 1/16W	R9158	401 105 3307	MT-GLAZE 2.7K JA 1/16W
R9042	401 105 0405	MT-GLAZE 100 JA 1/16W	R9159	401 105 1501	MT-GLAZE 1.5K JA 1/16W
			R9160	401 105 5301	MT-GLAZE 4.7K JA 1/16W

Electrical Parts List

Ref. No.	Part No.	Description	Ref. No.	Part No.	Description
K58A	645 012 2248	PLUG, 4P	D651A	610 292 3223	HEAT SINK-D MV6A

ASSY,PWB,POWER MJ6A					
610 290 6028 ASSY, PWB, POWER MJ6A					
INTEGRATED CIRCUIT					
IC601	409 179 4503	IC STR81145A	D651B	411 047 0104	SCR PAN+SW+W 3X8
IC632	409 421 4701	IC STR-Z2156	D652	407 164 2206	DIODE FMB-24L
IC652	409 308 8600	IC SE005N	D652B	411 047 0104	SCR PAN+SW+W 3X8
CAPACITOR					
C602	403 222 1303	CERAMIC 1000P K 1K	D653	407 190 4106	DIODE SFPL-52V
C603	403 222 1303	CERAMIC 1000P K 1K	D655	407 164 2206	DIODE FMB-24L
C604	403 146 5500	ELECT 2.2U M 450V	D655B	411 047 0104	SCR PAN+SW+W 3X8
C605	403 070 0909	CERAMIC 0.1U K 50V	MISCELLANEOUS		
C606	403 180 4101	MT-POLYEST 0.1U K 630V	K6A	645 041 2967	PLUG, 2P (3-1)
C607	403 126 4608	ELECT 100U M 25V	K6D	645 008 4485	PLUG, 10P
C608	404 085 7501	ELECT 820U M 250V	▲ PC611	408 014 9703	PC CNY17F-3OPT1+6
C609	404 085 7501	ELECT 820U M 250V	▲ PC612	408 016 8803	PC PC113 (VDE0884)
C611	403 332 7806	ELECT 2.2U M 200V	VA601	407 130 2902	VARISTOR ENC471D-14A
C612	403 237 7901	MT-COMPO 0.22U J 50V	*****		
C613	403 113 3805	CERAMIC 1000P K 50V	ASSY,PWB,SUBPOWER MJ6A		
C614	403 164 0204	CERAMIC 0.1U Z 25V	610 292 2097 ASSY, PWB, SUBPOWER MJ6A		
C615	403 245 4404	CERAMIC 470P K 2K	TRANSISTOR		
C616	403 167 8603	CERAMIC 220P K 2K	Q6601	405 014 4509	TR 2SC2412K T146 R
C617	403 083 6806	POLYPRO 0.056U J 400V	405 014 4608	TR 2SC2412K T146 S	
C618	403 164 0204	CERAMIC 0.1U Z 25V	405 015 8704	TR 2SC2812-L6-TB	
C619	403 164 0204	CERAMIC 0.1U Z 25V	405 015 8902	TR 2SC2812-L7-TB	
C621	403 148 1807	ELECT 220U M 35V	405 163 1602	TR 2SC2812N-L6-TB0	
C622	403 340 9205	ELECT 1U M 350V	405 163 1701	TR 2SC2812N-L7-TB0	
C623	403 157 6800	CERAMIC 680P K 50V	Q6602	405 047 9007	TR 2SB1204-S-TL
C625	403 147 9606	ELECT 1000U M 10V	405 047 9106	TR 2SB1204-T-TL	
403 301 2306	ELECT 1000U M 10V	Q6603	405 014 4509	TR 2SC2412K T146 R	
403 147 9606	ELECT 1000U M 10V	405 014 4608	TR 2SC2412K T146 S		
403 301 2306	ELECT 1000U M 10V	405 015 8704	TR 2SC2812-L6-TB		
C650	403 134 6403	ELECT 2200U M 16V	405 015 8902	TR 2SC2812-L7-TB	
C651	403 134 6403	ELECT 2200U M 16V	405 163 1602	TR 2SC2812N-L6-TB0	
C652	403 164 0204	CERAMIC 0.1U Z 25V	405 163 1701	TR 2SC2812N-L7-TB0	
C653	403 155 1203	ELECT 3300U M 25V	Q6607	405 014 4509	TR 2SC2412K T146 R
C654	403 155 1203	ELECT 3300U M 25V	405 014 4608	TR 2SC2412K T146 S	
C655	403 164 0204	CERAMIC 0.1U Z 25V	405 015 8704	TR 2SC2812-L6-TB	
C656	403 164 0204	CERAMIC 0.1U Z 25V	405 015 8902	TR 2SC2812-L7-TB	
C657	403 126 4806	ELECT 3300U M 10V	405 163 1602	TR 2SC2812N-L6-TB0	
403 313 6408	ELECT 3300U M 10V	405 163 1701	TR 2SC2812N-L7-TB0		
403 155 5607	ELECT 220U M 10V	Q6608	405 014 4509	TR 2SC2412K T146 R	
403 126 4806	ELECT 3300U M 10V	405 014 4608	TR 2SC2412K T146 S		
403 313 6408	ELECT 3300U M 10V	405 015 8704	TR 2SC2812-L6-TB		
C659	403 126 4806	ELECT 3300U M 10V	405 015 8902	TR 2SC2812-L7-TB	
403 313 6408	ELECT 3300U M 10V	405 163 1602	TR 2SC2812N-L6-TB0		
403 126 4806	ELECT 3300U M 10V	405 163 1701	TR 2SC2812N-L7-TB0		
C661	403 126 4806	ELECT 3300U M 10V	Q6609	405 144 6503	TR 2SK2312
403 313 6408	ELECT 3300U M 10V	Q6611	405 144 6503	TR 2SK2312	
403 156 9208	ELECT 4.7U M 50V	Q6612	405 014 4509	TR 2SC2412K T146 R	
RESISTOR					
R600	401 008 8607	CARBON 220K JA 1/2W	405 014 4608	TR 2SC2412K T146 S	
R601	402 078 5701	WIRE WOUND 3.9 JA 7W	405 015 8704	TR 2SC2812-L6-TB	
R605	401 068 1501	OXIDE-MT 4.7 JA 2W	405 015 8902	TR 2SC2812-L7-TB	
R606	401 263 0101	MT-GLAZE 100K JA 1W	405 163 1602	TR 2SC2812N-L6-TB0	
R607	401 263 0101	MT-GLAZE 100K JA 1W	405 163 1701	TR 2SC2812N-L7-TB0	
R608	401 263 0101	MT-GLAZE 100K JA 1W	Q6616	405 047 9007	TR 2SB1204-S-TL
R609	401 263 0101	MT-GLAZE 100K JA 1W	405 047 9106	TR 2SB1204-T-TL	
R611	401 069 4402	OXIDE-MT 68K JA 2W	405 014 4509	TR 2SC2412K T146 R	
R612	401 069 4402	OXIDE-MT 68K JA 2W	405 014 4608	TR 2SC2412K T146 S	
R614	401 240 7208	MT-GLAZE 33 JA 1/3W	405 015 8704	TR 2SC2812-L6-TB	
R615	401 105 5905	MT-GLAZE 560 JA 1/16W	405 015 8902	TR 2SC2812-L7-TB	
R616	401 258 8303	MT-GLAZE 150 JA 1/3W	405 163 1602	TR 2SC2812N-L6-TB0	
R617	401 105 0504	MT-GLAZE 1K JA 1/16W	405 163 1701	TR 2SC2812N-L7-TB0	
R618	401 105 0603	MT-GLAZE 10K JA 1/16W	Q6618	405 014 4509	TR 2SC2412K T146 R
R619	402 079 7803	FUSIBLE RES 22 JH 1/4W	405 014 4608	TR 2SC2412K T146 S	
R621	401 166 0802	MT-GLAZE 330 JA 1/2W	405 015 8704	TR 2SC2812-L6-TB	
R622	402 080 7809	MT-GLAZE 150 KA 1W	405 015 8902	TR 2SC2812-L7-TB	
R623	402 080 7908	MT-GLAZE 180 KA 1W	405 163 1602	TR 2SC2812N-L6-TB0	
R653	401 105 5905	MT-GLAZE 560 JA 1/16W	405 163 1701	TR 2SC2812N-L7-TB0	
R654	401 105 0306	MT-GLAZE 10 JA 1/16W	Q6621	405 047 9007	TR 2SB1204-S-TL
R655	401 105 0504	MT-GLAZE 1K JA 1/16W	405 047 9106	TR 2SB1204-T-TL	
R656	402 079 7704	FUSIBLE RES 1.0 JH 1/4W	Q6622	405 014 4509	TR 2SC2412K T146 R
R657	401 105 5103	MT-GLAZE 47 JA 1/16W	405 014 4608	TR 2SC2412K T146 S	
VARIABLE RESISTOR					
VR652	645 002 3521	VR, SEMI, 470 S	405 015 8704	TR 2SC2812-L6-TB	
TRANSFORMER					
▲ T621	645 043 3832	TRANS, POWER, PULSE	405 015 8902	TR 2SC2812-L7-TB	
▲ L611	645 047 0493	INDUCTOR, 4M	405 163 1602	TR 2SC2812N-L6-TB0	
DIODE					
▲ DB601	407 141 1000	DIODE REV-408	405 163 1701	TR 2SC2812N-L7-TB0	
DB601A	610 292 3193	HEAT SINK-A MV6A	Q6631	405 014 4509	TR 2SC2412K T146 R
DB601B	411 047 0104	SCR PAN+SW+W 3X8	405 014 4608	TR 2SC2412K T146 S	
DS601	407 175 2400	THYRISTOR CR12AM-12	405 015 8704	TR 2SC2812-L6-TB	
DS601B	411 047 0104	SCR PAN+SW+W 3X8	405 015 8902	TR 2SC2812-L7-TB	
DZ6111	407 175 2806	ZD 02C212Y (TE85R)	405 163 1602	TR 2SC2812N-L6-TB0	
DZ655	407 198 6607	ZD 02C26.8Z (TE85R)	405 163 1701	TR 2SC2812N-L7-TB0	
D601	407 009 6901	DIODE RM11C	Q6632	405 014 4509	TR 2SC2412K T146 R
D602	407 009 6901	DIODE RM11C	405 014 4608	TR 2SC2412K T146 S	
D603	407 009 6901	DIODE RM11C	405 015 8704	TR 2SC2812-L6-TB	
D611	407 190 4106	DIODE SFPL-52V	405 015 8902	TR 2SC2812-L7-TB	
D612	407 124 6800	DIODE AG01A	405 163 1602	TR 2SC2812N-L6-TB0	
D613	407 190 4106	DIODE SFPL-52V	405 163 1701	TR 2SC2812N-L7-TB0	
D651	407 202 9808	DIODE FMB-26L			

Electrical Parts List

Ref. No.	Part No.	Description	Ref. No.	Part No.	Description
Q6633	405 014 4509	TR 2SC2412K T146 R	R6604	401 105 2201	MT-GLAZE 180K JA 1/16W
	405 014 4608	TR 2SC2412K T146 S	R6605	401 105 5301	MT-GLAZE 4.7K JA 1/16W
	405 015 8704	TR 2SC2812-L6-TB	R6607	401 105 0603	MT-GLAZE 10K JA 1/16W
	405 015 8902	TR 2SC2812-L7-TB	R6608	401 212 0206	MT-GLAZE 33K FA 1/16W
	405 163 1602	TR 2SC2812N-L6-TB0	R6609	401 162 6303	MT-GLAZE 330 JA 1W
	405 163 1701	TR 2SC2812N-L7-TB0	R6611	401 105 4502	MT-GLAZE 390 JA 1/16W
Q7602	405 047 9007	TR 2SB1204-S-TL	R6613	401 105 0603	MT-GLAZE 10K JA 1/16W
	405 047 9106	TR 2SB1204-T-TL	R6614	401 105 4007	MT-GLAZE 330 JA 1/16W
Q7603	405 014 4509	TR 2SC2412K T146 R	R6615	401 105 4007	MT-GLAZE 330 JA 1/16W
	405 014 4608	TR 2SC2412K T146 S	R6616	401 105 7909	MT-GLAZE 0.000 ZA 1/16W
	405 015 8704	TR 2SC2812-L6-TB	R6617	401 276 4707	MT-GLAZE 0.000 ZA 1/3W
	405 015 8902	TR 2SC2812-L7-TB	R6621	401 105 8203	MT-GLAZE 68K JA 1/16W
	405 163 1602	TR 2SC2812N-L6-TB0	R6622	401 105 4304	MT-GLAZE 330K JA 1/16W
	405 163 1701	TR 2SC2812N-L7-TB0	R6623	401 105 5103	MT-GLAZE 47 JA 1/16W
Q7604	405 014 4509	TR 2SC2412K T146 R	R6624	401 105 2201	MT-GLAZE 180K JA 1/16W
	405 014 4608	TR 2SC2412K T146 S	R6625	401 105 5301	MT-GLAZE 4.7K JA 1/16W
	405 015 8704	TR 2SC2812-L6-TB	R6627	401 105 0603	MT-GLAZE 10K JA 1/16W
	405 015 8902	TR 2SC2812-L7-TB	R6628	401 212 0206	MT-GLAZE 33K FA 1/16W
	405 163 1602	TR 2SC2812N-L6-TB0	R6629	401 162 6303	MT-GLAZE 330 JA 1W
	405 163 1701	TR 2SC2812N-L7-TB0	R6633	401 105 0603	MT-GLAZE 10K JA 1/16W
Q7611	405 014 4509	TR 2SC2412K T146 R	R6634	401 105 5806	MT-GLAZE 56 JA 1/16W
	405 014 4608	TR 2SC2412K T146 S	R6637	401 276 4707	MT-GLAZE 0.000 ZA 1/3W
	405 015 8704	TR 2SC2812-L6-TB	R6641	401 105 0603	MT-GLAZE 10K JA 1/16W
	405 015 8902	TR 2SC2812-L7-TB	R6642	401 105 5301	MT-GLAZE 4.7K JA 1/16W
	405 163 1602	TR 2SC2812N-L6-TB0	R6643	401 238 4400	MT-GLAZE 2.7K JA 1/3W
	405 163 1701	TR 2SC2812N-L7-TB0	R6644	401 238 4202	MT-GLAZE 1.5K JA 1/3W
INTEGRATED CIRCUIT			R6648	401 105 0603	MT-GLAZE 10K JA 1/16W
IC6601	409 459 5404	IC FA7612CN	R6649	401 105 5301	MT-GLAZE 4.7K JA 1/16W
IC6602	409 459 5404	IC FA7612CN	R6650	401 105 0603	MT-GLAZE 10K JA 1/16W
IC6607	409 459 5404	IC FA7612CN	R6651	401 105 0603	MT-GLAZE 10K JA 1/16W
IC6611	409 428 9600	IC M62399FP	R6652	401 105 1600	MT-GLAZE 15K JA 1/16W
IC6612	409 505 6102	IC MD1222N	R6653	401 219 1602	MT-GLAZE 100K FA 1/16W
CAPACITOR			R6655	401 105 1600	MT-GLAZE 15K JA 1/16W
C6601	403 358 1307	ELECT 330U M 25V	R6656	401 105 0702	MT-GLAZE 100K JA 1/16W
C6602	403 358 1307	ELECT 330U M 25V	R6661	402 079 4208	FUSIBLE RES 1.5 JH 1/10W
C6603	403 358 1307	ELECT 330U M 25V	R6665	401 105 0504	MT-GLAZE 1K JA 1/16W
C6611	403 164 0204	CERAMIC 0.1U Z 25V	R6667	401 105 0603	MT-GLAZE 10K JA 1/16W
C6612	403 350 5006	ELECT 1000U M 25V	R6668	401 105 0603	MT-GLAZE 10K JA 1/16W
C6613	403 350 5006	ELECT 1000U M 25V	R6669	401 105 8005	MT-GLAZE 1M JA 1/16W
C6614	403 164 0204	CERAMIC 0.1U Z 25V	R6685	401 105 0603	MT-GLAZE 10K JA 1/16W
C6615	403 148 0701	ELECT 2200U M 25V	R6687	401 105 0603	MT-GLAZE 10K JA 1/16W
	403 313 6002	ELECT 2200U M 25V	R6689	401 105 7909	MT-GLAZE 0.000 ZA 1/16W
C6617	403 149 9208	CERAMIC 0.01U Z 50V	R6691	401 105 0702	MT-GLAZE 100K JA 1/16W
C6618	403 134 6403	ELECT 2200U M 16V	R6692	401 105 8005	MT-GLAZE 1M JA 1/16W
C6621	403 119 7609	ELECT 2200U M 10V	R6693	401 105 0603	MT-GLAZE 10K JA 1/16W
	403 313 5906	ELECT 2200U M 10V	R6694	401 105 7909	MT-GLAZE 0.000 ZA 1/16W
C6622	403 119 7609	ELECT 2200U M 10V	R6695	401 218 4505	MT-GLAZE 2.2K FA 1/16W
	403 313 5906	ELECT 2200U M 10V	R6696	401 257 7000	MT-GLAZE 820 FA 1/16W
C6623	403 149 9208	CERAMIC 0.01U Z 50V	R6697	401 299 2803	MT-GLAZE 0.068 JA 1W
C6629	403 148 0305	ELECT 470U M 16V	R6698	401 299 2803	MT-GLAZE 0.068 JA 1W
C6630	403 156 9208	ELECT 4.7U M 50V	R7601	401 105 8203	MT-GLAZE 68K JA 1/16W
C6636	403 358 1307	ELECT 330U M 25V	R7602	401 105 4304	MT-GLAZE 330K JA 1/16W
C6637	403 350 5006	ELECT 1000U M 25V	R7603	401 105 5103	MT-GLAZE 47 JA 1/16W
C6638	403 358 1307	ELECT 330U M 25V	R7604	401 276 4707	MT-GLAZE 0.000 ZA 1/3W
C6639	403 350 5006	ELECT 1000U M 25V	R7607	401 105 4205	MT-GLAZE 33K JA 1/16W
C6641	403 113 3805	CERAMIC 1000P K 50V	R7611	401 162 6303	MT-GLAZE 330 JA 1W
C6642	403 149 1400	ELECT 33U M 25V	R7614	401 105 2201	MT-GLAZE 180K JA 1/16W
C6643	403 164 0204	CERAMIC 0.1U Z 25V	R7615	401 105 5301	MT-GLAZE 4.7K JA 1/16W
C6646	403 113 3805	CERAMIC 1000P K 50V	R7617	401 105 0603	MT-GLAZE 10K JA 1/16W
C6647	403 149 1400	ELECT 33U M 25V	R7618	401 105 0603	MT-GLAZE 10K JA 1/16W
C6648	403 164 0204	CERAMIC 0.1U Z 25V	R7624	401 105 0603	MT-GLAZE 10K JA 1/16W
C6649	403 149 1400	ELECT 33U M 25V	R7625	401 105 2904	MT-GLAZE 22K JA 1/16W
C6651	403 164 0204	CERAMIC 0.1U Z 25V	R7626	401 105 2904	MT-GLAZE 22K JA 1/16W
C6655	403 164 0204	CERAMIC 0.1U Z 25V	R7627	401 105 0702	MT-GLAZE 100K JA 1/16W
C6656	403 164 0204	CERAMIC 0.1U Z 25V	R7628	401 105 0504	MT-GLAZE 1K JA 1/16W
C6660	403 369 2904	ELECT 680U M 25V	R7629	401 105 2904	MT-GLAZE 22K JA 1/16W
C6661	403 358 1307	ELECT 330U M 25V	R7631	401 113 8400	MT-GLAZE 75K JA 1/16W
C6662	403 358 1307	ELECT 330U M 25V	R7632	401 105 1006	MT-GLAZE 1.2K JA 1/16W
C6663	403 369 2904	ELECT 680U M 25V	R7633	401 105 7909	MT-GLAZE 0.000 ZA 1/16W
C6664	403 164 0204	CERAMIC 0.1U Z 25V	R7635	401 105 2904	MT-GLAZE 22K JA 1/16W
C6665	403 113 3805	CERAMIC 1000P K 50V	R7636	401 105 2904	MT-GLAZE 22K JA 1/16W
C6666	403 205 2808	CERAMIC 0.047U K 25V	R7637	401 105 0702	MT-GLAZE 100K JA 1/16W
C6667	403 149 9208	CERAMIC 0.01U Z 50V	R7638	401 105 0504	MT-GLAZE 1K JA 1/16W
C6668	403 369 2904	ELECT 680U M 25V	R7639	401 105 2904	MT-GLAZE 22K JA 1/16W
C6669	403 369 2904	ELECT 680U M 25V	R7641	401 113 8400	MT-GLAZE 75K JA 1/16W
C6672	403 149 9208	CERAMIC 0.01U Z 50V	R7642	401 105 1006	MT-GLAZE 1.2K JA 1/16W
C6675	403 164 0204	CERAMIC 0.1U Z 25V	R7643	401 105 7909	MT-GLAZE 0.000 ZA 1/16W
C6676	403 164 0204	CERAMIC 0.1U Z 25V	R7645	401 105 2904	MT-GLAZE 22K JA 1/16W
C6677	403 164 0204	CERAMIC 0.1U Z 25V	R7646	401 105 2904	MT-GLAZE 22K JA 1/16W
C6678	403 283 6309	CERAMIC 1U Z 10V	R7647	401 105 0702	MT-GLAZE 100K JA 1/16W
C7601	403 113 3805	CERAMIC 1000P K 50V	R7648	401 105 0504	MT-GLAZE 1K JA 1/16W
C7602	403 358 1307	ELECT 330U M 25V	R7649	401 105 2904	MT-GLAZE 22K JA 1/16W
C7603	403 164 0204	CERAMIC 0.1U Z 25V	R7651	401 113 8400	MT-GLAZE 75K JA 1/16W
C7604	403 149 1400	ELECT 33U M 25V	R7652	401 105 1006	MT-GLAZE 1.2K JA 1/16W
C7605	403 350 5006	ELECT 1000U M 25V	R7653	401 105 7909	MT-GLAZE 0.000 ZA 1/16W
C7607	403 358 1307	ELECT 330U M 25V	R7662	401 105 5400	MT-GLAZE 47K JA 1/16W
C7608	403 164 0204	CERAMIC 0.1U Z 25V	R7663	401 105 5400	MT-GLAZE 47K JA 1/16W
C7614	403 358 1307	ELECT 330U M 25V	COIL		
C7625	403 164 0204	CERAMIC 0.1U Z 25V	L6601	645 007 8118	INDUCTOR, 390U K
C7626	403 164 0204	CERAMIC 0.1U Z 25V	L6603	645 007 8118	INDUCTOR, 390U K
C7627	403 164 0204	CERAMIC 0.1U Z 25V	L6604	645 007 7968	INDUCTOR, 10U M
RESISTOR			L6605	645 007 7968	INDUCTOR, 10U M
R6601	401 105 8203	MT-GLAZE 68K JA 1/16W	L6611	645 007 7968	INDUCTOR, 10U M
R6602	401 105 4304	MT-GLAZE 330K JA 1/16W	L6612	645 007 7968	INDUCTOR, 10U M
R6603	401 105 5103	MT-GLAZE 47 JA 1/16W	L6613	645 047 6570	INDUCTOR, 6.8U M

Electrical Parts List

Ref. No.	Part No.	Description	Ref. No.	Part No.	Description
IC8182	409 404 6302	IC M62320FP	C8192	403 113 3805	CERAMIC 1000P K 50V
IC8191	409 505 6102	IC MD1222N	C8193	403 358 1307	ELECT 330U M 25V
IC8193	409 487 5803	IC 24C01CT/SN	C8194	403 215 2201	CERAMIC 0.01U K 50V
IC8194	409 434 8109	IC TC4053BFT-(EL)	C8195	403 358 1307	ELECT 330U M 25V
CAPACITOR			C8196	403 164 0204	CERAMIC 0.1U Z 25V
C8002	403 164 0204	CERAMIC 0.1U Z 25V	C8197	403 164 0204	CERAMIC 0.1U Z 25V
C8003	403 280 0508	ELECT 470U M 4V	C8198	403 113 3805	CERAMIC 1000P K 50V
C8004	403 164 0204	CERAMIC 0.1U Z 25V	RESISTOR		
C8005	403 157 3601	CERAMIC 100P J 50V	RB8001	645 028 0696	R-NETWORK 100X4 1/32W
C8006	403 157 3601	CERAMIC 100P J 50V	RB8002	645 028 0696	R-NETWORK 100X4 1/32W
C8007	403 157 3601	CERAMIC 100P J 50V	RB8003	645 028 0696	R-NETWORK 100X4 1/32W
C8008	403 157 3601	CERAMIC 100P J 50V	RB8004	645 028 0696	R-NETWORK 100X4 1/32W
C8009	403 164 0204	CERAMIC 0.1U Z 25V	RB8005	645 028 0696	R-NETWORK 100X4 1/32W
C8010	403 164 0204	CERAMIC 0.1U Z 25V	RB8006	645 028 0696	R-NETWORK 100X4 1/32W
C8012	403 157 3601	CERAMIC 100P J 50V	RB8007	645 028 0696	R-NETWORK 100X4 1/32W
C8013	403 280 0508	ELECT 470U M 4V	RB8008	645 028 0696	R-NETWORK 100X4 1/32W
C8014	403 164 0204	CERAMIC 0.1U Z 25V	RB8009	645 028 0696	R-NETWORK 100X4 1/32W
C8015	403 155 1500	CERAMIC 180P J 50V	RB8010	645 028 0696	R-NETWORK 100X4 1/32W
C8016	403 169 2807	CERAMIC 330P J 50V	RB8011	645 028 0696	R-NETWORK 100X4 1/32W
C8017	403 169 2807	CERAMIC 330P J 50V	RB8012	645 028 0696	R-NETWORK 100X4 1/32W
C8018	403 155 1500	CERAMIC 180P J 50V	RB8013	645 028 0696	R-NETWORK 100X4 1/32W
C8019	403 169 2807	CERAMIC 330P J 50V	RB8014	645 028 0696	R-NETWORK 100X4 1/32W
C8021	403 169 2807	CERAMIC 330P J 50V	RB8015	645 028 0696	R-NETWORK 100X4 1/32W
C8022	403 155 1500	CERAMIC 180P J 50V	RB8016	645 028 0696	R-NETWORK 100X4 1/32W
C8023	403 164 0204	CERAMIC 0.1U Z 25V	RB8021	645 028 0696	R-NETWORK 100X4 1/32W
C8024	403 280 0508	ELECT 470U M 4V	RB8022	645 028 0696	R-NETWORK 100X4 1/32W
C8025	403 169 2807	CERAMIC 330P J 50V	RB8023	645 028 0696	R-NETWORK 100X4 1/32W
C8026	403 267 0606	NP-ELECT 4.7U M 16V	RB8024	645 028 0696	R-NETWORK 100X4 1/32W
C8028	403 266 6807	NP-ELECT 0.1U M 50V	RB8031	645 028 0696	R-NETWORK 100X4 1/32W
C8029	403 162 6208	ELECT 1U M 50V	RB8032	645 028 0696	R-NETWORK 100X4 1/32W
C8030	403 164 0204	CERAMIC 0.1U Z 25V	RB8033	645 028 0696	R-NETWORK 100X4 1/32W
C8032	403 266 8108	NP-ELECT 1U M 50V	RB8034	645 028 0696	R-NETWORK 100X4 1/32W
C8033	403 162 6604	ELECT 2.2U M 50V	RB8131	645 026 8014	R-NETWORK 10KX4 1/16W
C8034	403 162 6208	ELECT 1U M 50V	R8001	401 105 5905	MT-GLAZE 560 JA 1/16W
C8035	403 157 3601	CERAMIC 100P J 50V	R8002	401 105 7909	MT-GLAZE 0.000 ZA 1/16W
C8036	403 164 0204	CERAMIC 0.1U Z 25V	R8003	401 105 4205	MT-GLAZE 33K JA 1/16W
C8037	403 280 0805	ELECT 330U M 6.3V	R8004	401 105 4205	MT-GLAZE 33K JA 1/16W
C8038	403 164 0204	CERAMIC 0.1U Z 25V	R8005	401 105 4205	MT-GLAZE 33K JA 1/16W
C8043	403 164 0204	CERAMIC 0.1U Z 25V	R8006	401 105 4205	MT-GLAZE 33K JA 1/16W
C8044	403 266 8108	NP-ELECT 1U M 50V	R8007	401 105 4205	MT-GLAZE 33K JA 1/16W
C8045	403 308 2101	CERAMIC 0.056U K 16V	R8008	401 105 4205	MT-GLAZE 33K JA 1/16W
C8046	403 215 2904	CERAMIC 0.022U K 25V	R8009	401 105 4205	MT-GLAZE 33K JA 1/16W
C8047	403 157 6909	CERAMIC 820P K 50V	R8010	401 105 7909	MT-GLAZE 0.000 ZA 1/16W
C8048	403 215 2201	CERAMIC 0.01U K 50V	R8011	401 105 0405	MT-GLAZE 100 JA 1/16W
C8049	403 162 6208	ELECT 1U M 50V	R8012	401 113 6406	MT-GLAZE 5.1K JA 1/16W
C8050	403 164 0204	CERAMIC 0.1U Z 25V	R8013	401 105 7909	MT-GLAZE 0.000 ZA 1/16W
C8052	403 164 0204	CERAMIC 0.1U Z 25V	R8014	401 105 5103	MT-GLAZE 47 JA 1/16W
C8053	403 164 0204	CERAMIC 0.1U Z 25V	R8015	401 105 5103	MT-GLAZE 47 JA 1/16W
C8061	403 164 0204	CERAMIC 0.1U Z 25V	R8017	401 105 5103	MT-GLAZE 47 JA 1/16W
C8063	403 164 0204	CERAMIC 0.1U Z 25V	R8018	401 105 5103	MT-GLAZE 47 JA 1/16W
C8064	403 157 1904	CERAMIC 10P D 50V	R8019	401 105 7909	MT-GLAZE 0.000 ZA 1/16W
C8065	403 157 3106	CERAMIC 56P J 50V	R8021	401 105 7909	MT-GLAZE 0.000 ZA 1/16W
C8070	403 280 0508	ELECT 470U M 4V	R8025	401 105 7909	MT-GLAZE 0.000 ZA 1/16W
C8072	403 157 1904	CERAMIC 10P D 50V	R8028	401 105 0405	MT-GLAZE 100 JA 1/16W
C8073	403 164 0204	CERAMIC 0.1U Z 25V	R8029	401 105 8005	MT-GLAZE 1M JA 1/16W
C8075	403 157 3106	CERAMIC 56P J 50V	R8030	401 105 7909	MT-GLAZE 0.000 ZA 1/16W
C8076	403 164 0204	CERAMIC 0.1U Z 25V	R8031	401 105 4601	MT-GLAZE 3.9K JA 1/16W
C8077	403 164 0204	CERAMIC 0.1U Z 25V	R8032	401 105 0405	MT-GLAZE 100 JA 1/16W
C8079	403 164 0204	CERAMIC 0.1U Z 25V	R8033	401 105 0405	MT-GLAZE 100 JA 1/16W
C8082	403 157 1904	CERAMIC 10P D 50V	R8034	401 105 0405	MT-GLAZE 100 JA 1/16W
C8085	403 157 3106	CERAMIC 56P J 50V	R8035	401 105 0405	MT-GLAZE 100 JA 1/16W
C8086	403 164 0204	CERAMIC 0.1U Z 25V	R8036	401 105 0405	MT-GLAZE 100 JA 1/16W
C8088	403 164 0204	CERAMIC 0.1U Z 25V	R8037	401 105 0405	MT-GLAZE 100 JA 1/16W
C8090	403 347 5507	POS-SOLID 470U M 4V	R8039	401 105 8005	MT-GLAZE 1M JA 1/16W
C8091	403 162 4709	ELECT 10U M 16V	R8040	401 105 2805	MT-GLAZE 2.2K JA 1/16W
C8092	403 162 4709	ELECT 10U M 16V	R8042	401 105 7909	MT-GLAZE 0.000 ZA 1/16W
C8093	403 155 1500	CERAMIC 180P J 50V	R8043	401 105 0504	MT-GLAZE 1K JA 1/16W
C8094	403 146 0505	CERAMIC 1200P K 50V	R8044	401 105 0504	MT-GLAZE 1K JA 1/16W
C8096	403 347 5507	POS-SOLID 470U M 4V	R8045	401 105 1709	MT-GLAZE 150K JA 1/16W
C8101	403 162 4709	ELECT 10U M 16V	R8046	401 105 0405	MT-GLAZE 100 JA 1/16W
C8102	403 162 4709	ELECT 10U M 16V	R8048	401 105 7909	MT-GLAZE 0.000 ZA 1/16W
C8132	403 283 6309	CERAMIC 1U Z 10V	R8049	401 105 5905	MT-GLAZE 560 JA 1/16W
C8133	403 164 0204	CERAMIC 0.1U Z 25V	R8050	401 105 4601	MT-GLAZE 3.9K JA 1/16W
C8141	403 175 4505	ELECT 47U M 6.3V	R8051	401 105 7909	MT-GLAZE 0.000 ZA 1/16W
C8142	403 162 6208	ELECT 1U M 50V	R8052	401 105 5103	MT-GLAZE 47 JA 1/16W
C8143	403 162 6208	ELECT 1U M 50V	R8053	401 105 7909	MT-GLAZE 0.000 ZA 1/16W
C8144	403 162 6208	ELECT 1U M 50V	R8054	401 105 7909	MT-GLAZE 0.000 ZA 1/16W
C8145	403 162 6208	ELECT 1U M 50V	R8056	401 105 7909	MT-GLAZE 0.000 ZA 1/16W
C8151	403 162 6208	ELECT 1U M 50V	R8057	401 105 0603	MT-GLAZE 10K JA 1/16W
C8152	403 164 0204	CERAMIC 0.1U Z 25V	R8058	401 105 4205	MT-GLAZE 33K JA 1/16W
C8153	403 280 0805	ELECT 330U M 6.3V	R8059	401 105 0603	MT-GLAZE 10K JA 1/16W
C8154	403 164 0204	CERAMIC 0.1U Z 25V	R8060	401 105 0603	MT-GLAZE 10K JA 1/16W
C8156	403 164 0204	CERAMIC 0.1U Z 25V	R8061	401 113 4402	MT-GLAZE 75 JA 1/16W
C8157	403 175 4505	ELECT 47U M 6.3V	R8063	401 105 4502	MT-GLAZE 390 JA 1/16W
C8158	403 164 0204	CERAMIC 0.1U Z 25V	R8064	401 105 0504	MT-GLAZE 1K JA 1/16W
C8171	403 280 0805	ELECT 330U M 6.3V	R8066	401 105 7909	MT-GLAZE 0.000 ZA 1/16W
C8172	403 164 0204	CERAMIC 0.1U Z 25V	R8067	401 105 0603	MT-GLAZE 10K JA 1/16W
C8175	403 164 0204	CERAMIC 0.1U Z 25V	R8071	401 113 4402	MT-GLAZE 75 JA 1/16W
C8176	403 280 0805	ELECT 330U M 6.3V	R8073	401 105 4502	MT-GLAZE 390 JA 1/16W
C8177	403 164 0204	CERAMIC 0.1U Z 25V	R8075	401 105 0504	MT-GLAZE 1K JA 1/16W
C8178	403 280 0805	ELECT 330U M 6.3V	R8076	401 105 7909	MT-GLAZE 0.000 ZA 1/16W
C8181	403 164 0204	CERAMIC 0.1U Z 25V	R8077	401 105 0603	MT-GLAZE 10K JA 1/16W
C8182	403 164 0204	CERAMIC 0.1U Z 25V	R8078	401 105 0702	MT-GLAZE 100K JA 1/16W
C8190	403 164 0204	CERAMIC 0.1U Z 25V	R8079	401 105 0702	MT-GLAZE 100K JA 1/16W
C8191	403 205 2808	CERAMIC 0.047U K 25V	R8081	401 113 4402	MT-GLAZE 75 JA 1/16W

Electrical Parts List

Ref. No.	Part No.	Description	Ref. No.	Part No.	Description	
Q2071	405 015 8902	TR 2SC2812-L7-TB	C1066	403 149 9208	CERAMIC 0.01U Z 50V	
	405 163 1602	TR 2SC2812N-L6-TB0	C1069	403 162 6208	ELECT 1U M 50V	
	405 163 1701	TR 2SC2812N-L7-TB0	C1071	403 162 6208	ELECT 1U M 50V	
	405 014 4509	TR 2SC2412K T146 R	C1072	403 280 1604	ELECT 220U M 16V	
	405 014 4608	TR 2SC2412K T146 S	C2004	403 283 6309	CERAMIC 1U Z 10V	
	405 015 8704	TR 2SC2812-L6-TB	C2005	403 149 9208	CERAMIC 0.01U Z 50V	
	405 015 8902	TR 2SC2812-L7-TB	C2006	403 149 9208	CERAMIC 0.01U Z 50V	
	405 163 1602	TR 2SC2812N-L6-TB0	C2007	403 283 6309	CERAMIC 1U Z 10V	
	405 163 1701	TR 2SC2812N-L7-TB0	C2008	403 149 9208	CERAMIC 0.01U Z 50V	
	405 014 4509	TR 2SC2412K T146 R	C2009	403 283 6309	CERAMIC 1U Z 10V	
Q2072	405 014 4608	TR 2SC2412K T146 S	C2011	403 157 1904	CERAMIC 10P D 50V	
	405 015 8704	TR 2SC2812-L6-TB	C2012	403 164 0204	CERAMIC 0.1U Z 25V	
	405 015 8902	TR 2SC2812-L7-TB	C2014	403 157 1904	CERAMIC 10P D 50V	
	405 163 1602	TR 2SC2812N-L6-TB0	C2015	403 164 0204	CERAMIC 0.1U Z 25V	
	405 163 1701	TR 2SC2812N-L7-TB0	C2017	403 157 1904	CERAMIC 10P D 50V	
	405 014 4509	TR 2SC2412K T146 R	C2018	403 164 0204	CERAMIC 0.1U Z 25V	
	405 014 4608	TR 2SC2412K T146 S	C2019	403 280 1604	ELECT 220U M 16V	
	405 015 8704	TR 2SC2812-L6-TB	C2021	403 162 4709	ELECT 10U M 16V	
	405 015 8902	TR 2SC2812-L7-TB	C2022	403 164 0204	CERAMIC 0.1U Z 25V	
	405 163 1602	TR 2SC2812N-L6-TB0	C2023	401 105 7909	MT-GLAZE 0.000 ZA 1/16W	
Q2073	405 163 1701	TR 2SC2812N-L7-TB0	C2024	401 105 7909	MT-GLAZE 0.000 ZA 1/16W	
	405 014 4509	TR 2SC2412K T146 R	C2025	403 215 2201	CERAMIC 0.01U K 50V	
	405 014 4608	TR 2SC2412K T146 S	C2026	403 215 2201	CERAMIC 0.01U K 50V	
	405 015 8704	TR 2SC2812-L6-TB	C2027	403 215 2201	CERAMIC 0.01U K 50V	
	405 015 8902	TR 2SC2812-L7-TB	C2028	403 283 6309	CERAMIC 1U Z 10V	
	405 163 1602	TR 2SC2812N-L6-TB0	C2029	403 283 6309	CERAMIC 1U Z 10V	
	405 163 1701	TR 2SC2812N-L7-TB0	C2030	403 280 1604	ELECT 220U M 16V	
	405 014 4509	TR 2SC2412K T146 R	C2031	403 283 6309	CERAMIC 1U Z 10V	
	405 014 4608	TR 2SC2412K T146 S	C2032	403 162 4709	ELECT 10U M 16V	
	405 015 8704	TR 2SC2812-L6-TB	C2033	403 175 4109	ELECT 22U M 16V	
Q2081	405 015 8902	TR 2SC2812-L7-TB	C2034	403 162 5300	ELECT 4.7U M 25V	
	405 163 1602	TR 2SC2812N-L6-TB0	C2037	403 164 0204	CERAMIC 0.1U Z 25V	
	405 163 1701	TR 2SC2812N-L7-TB0	C2038	403 280 1604	ELECT 220U M 16V	
	405 014 4509	TR 2SC2412K T146 R	C2039	403 215 2201	CERAMIC 0.01U K 50V	
	405 014 4608	TR 2SC2412K T146 S	C2040	403 280 1604	ELECT 220U M 16V	
	405 015 8704	TR 2SC2812-L6-TB	C2041	403 215 2201	CERAMIC 0.01U K 50V	
	405 015 8902	TR 2SC2812-L7-TB	C2042	403 215 2201	CERAMIC 0.01U K 50V	
	405 163 1602	TR 2SC2812N-L6-TB0	C2043	403 215 2201	CERAMIC 0.01U K 50V	
	405 163 1701	TR 2SC2812N-L7-TB0	C2044	403 280 0805	ELECT 330U M 6.3V	
	INTEGRATED CIRCUIT		C2045	403 164 0204	CERAMIC 0.1U Z 25V	
IC1001	409 461 7304	IC AD8057ART	C2046	403 266 8108	NP-ELECT 1U M 50V	
IC1002	409 461 7304	IC AD8057ART	C2047	403 266 8108	NP-ELECT 1U M 50V	
IC1003	409 461 7304	IC AD8057ART	C2048	403 266 8108	NP-ELECT 1U M 50V	
IC1004	410 343 7008	IC SN74AHCT1G14DBVR	C2049	403 215 2201	CERAMIC 0.01U K 50V	
IC1005	410 343 7008	IC SN74AHCT1G14DBVR	C2051	403 215 2201	CERAMIC 0.01U K 50V	
IC1051	409 484 2003	IC BA7078AF-E2	C2052	403 215 2201	CERAMIC 0.01U K 50V	
IC1052	410 343 7008	IC SN74AHCT1G14DBVR	C2053	403 164 0204	CERAMIC 0.1U Z 25V	
IC1053	410 343 7008	IC SN74AHCT1G14DBVR	C2054	403 215 2201	CERAMIC 0.01U K 50V	
IC1061	409 502 8703	IC TA1318N	C2055	403 215 2201	CERAMIC 0.01U K 50V	
IC2001	409 449 2802	IC AN5393FBQ	C2056	403 215 2201	CERAMIC 0.01U K 50V	
IC2041	409 461 7809	IC PQ20WZ11	C2057	403 157 6602	CERAMIC 470P K 50V	
IC2061	409 051 2900	IC TC4053BF (EL)	C2058	403 175 4505	ELECT 47U M 6.3V	
IC2071	409 470 2604	IC AD8183ARU	C2061	403 283 6309	CERAMIC 1U Z 10V	
IC2081	409 404 6302	IC M62320FP	C2062	403 283 6309	CERAMIC 1U Z 10V	
IC2082	409 463 7500	IC 24LC02BT/SN-T	C2063	403 205 2808	CERAMIC 0.047U K 25V	
	409 417 5507	IC 24LC04BT/SN	C2064	403 205 2808	CERAMIC 0.047U K 25V	
	IC3031	409 380 6303	IC HIN232CB	C2065	403 283 6309	CERAMIC 1U Z 10V
	409 273 3501	IC SP232ACT	C2066	403 280 1604	ELECT 220U M 16V	
	IC3051	410 296 5700	IC TWM7000-151020	C2067	403 149 9208	CERAMIC 0.01U Z 50V
	IC3061	410 275 5707	IC TWM7000-162020	C2072	403 164 0204	CERAMIC 0.1U Z 25V
	410 275 5806	IC TWM7000-162020	C2073	403 164 0204	CERAMIC 0.1U Z 25V	
	IC3071	409 416 6505	IC BA05FP-E2	C2074	403 149 9208	CERAMIC 0.01U Z 50V
	IC3081	409 461 7304	IC AD8057ART	C2075	403 149 9208	CERAMIC 0.01U Z 50V
	IC3082	409 461 7304	IC AD8057ART	C2076	403 149 9208	CERAMIC 0.01U Z 50V
IC3083	409 461 7304	IC AD8057ART	C2078	403 164 0204	CERAMIC 0.1U Z 25V	
IC3091	409 395 5902	IC TC7SH00FU- (TE85L)	C2079	403 164 0204	CERAMIC 0.1U Z 25V	
CAPACITOR			C2081	403 280 0607	ELECT 220U M 6.3V	
C1001	403 267 0606	NP-ELECT 4.7U M 16V	C2082	403 149 9208	CERAMIC 0.01U Z 50V	
C1002	403 267 0606	NP-ELECT 4.7U M 16V	C2083	403 149 9208	CERAMIC 0.01U Z 50V	
C1003	403 155 1500	CERAMIC 180P J 50V	C2085	403 149 9208	CERAMIC 0.01U Z 50V	
C1004	403 146 0505	CERAMIC 1200P K 50V	C2086	403 280 0607	ELECT 220U M 6.3V	
C1005	403 157 1508	CERAMIC 3P C 50V	C2087	403 164 0204	CERAMIC 0.1U Z 25V	
C1006	403 157 1904	CERAMIC 10P D 50V	C2088	403 164 0204	CERAMIC 0.1U Z 25V	
C1007	403 157 1508	CERAMIC 3P C 50V	C2089	403 164 0204	CERAMIC 0.1U Z 25V	
C1008	403 157 1904	CERAMIC 10P D 50V	C2091	403 175 3300	ELECT 47U M 16V	
C1009	403 157 1508	CERAMIC 3P C 50V	C2092	403 175 3300	ELECT 47U M 16V	
C1010	403 351 1106	POS-SOLID 47U M 16V	C2093	403 175 3300	ELECT 47U M 16V	
C1011	403 157 1904	CERAMIC 10P D 50V	C3001	403 162 4709	ELECT 10U M 16V	
C1012	403 280 0805	ELECT 330U M 6.3V	C3002	403 162 4709	ELECT 10U M 16V	
C1013	403 164 0204	CERAMIC 0.1U Z 25V	C3021	403 283 6309	CERAMIC 1U Z 10V	
C1014	403 280 0805	ELECT 330U M 6.3V	C3031	403 283 6309	CERAMIC 1U Z 10V	
C1015	403 164 0204	CERAMIC 0.1U Z 25V	C3032	403 162 6208	ELECT 1U M 50V	
C1041	403 164 0204	CERAMIC 0.1U Z 25V	C3033	403 162 6208	ELECT 1U M 50V	
C1051	403 267 0606	NP-ELECT 4.7U M 16V	C3034	403 162 6208	ELECT 1U M 50V	
C1052	403 266 6807	NP-ELECT 0.1U M 50V	C3035	403 162 6208	ELECT 1U M 50V	
C1053	403 162 6208	ELECT 1U M 50V	C3041	403 283 6309	CERAMIC 1U Z 10V	
C1054	403 266 8108	NP-ELECT 1U M 50V	C3051	403 175 4505	ELECT 47U M 6.3V	
C1055	403 162 6604	ELECT 2.2U M 50V	C3052	403 283 6309	CERAMIC 1U Z 10V	
C1056	403 162 6208	ELECT 1U M 50V	C3053	403 162 6208	ELECT 1U M 50V	
C1057	403 157 3601	CERAMIC 100P J 50V	C3054	403 283 6309	CERAMIC 1U Z 10V	
C1058	403 164 0204	CERAMIC 0.1U Z 25V	C3061	403 283 6309	CERAMIC 1U Z 10V	
C1059	403 280 0805	ELECT 330U M 6.3V	C3062	403 283 6309	CERAMIC 1U Z 10V	
C1063	403 162 6604	ELECT 2.2U M 50V	C3071	403 164 0204	CERAMIC 0.1U Z 25V	
C1064	403 215 2201	CERAMIC 0.01U K 50V	C3072	403 280 0805	ELECT 330U M 6.3V	
C1065	403 229 3508	ELECT 100U M 16V	C3081	403 157 1508	CERAMIC 3P C 50V	

Electrical Parts List

Ref. No.	Part No.	Description	Ref. No.	Part No.	Description
C3082	403 157 1904	CERAMIC 10P D 50V	R2043	401 105 5301	MT-GLAZE 4.7K JA 1/16W
C3083	403 157 1508	CERAMIC 3P C 50V	R2044	401 105 2805	MT-GLAZE 2.2K JA 1/16W
C3084	403 157 1904	CERAMIC 10P D 50V	R2045	401 035 4108	MT-GLAZE 0.000 ZA 1/8W
C3085	403 157 1508	CERAMIC 3P C 50V	R2046	401 035 4108	MT-GLAZE 0.000 ZA 1/8W
C3086	403 157 1904	CERAMIC 10P D 50V	R2047	401 036 8907	MT-GLAZE 5.6 JA 1/8W
RESISTOR			R2050	401 105 0504	MT-GLAZE 1K JA 1/16W
RB3041	645 025 5380	R-NETWORK 10KX4 1/16W	R2060	401 105 0504	MT-GLAZE 1K JA 1/16W
	645 026 8014	R-NETWORK 10KX4 1/16W	R2061	401 105 0603	MT-GLAZE 10K JA 1/16W
R1001	401 226 1206	MT-GLAZE 150 FA 1/16W	R2062	401 105 4700	MT-GLAZE 39K JA 1/16W
R1002	401 226 1206	MT-GLAZE 150 FA 1/16W	R2063	401 105 0603	MT-GLAZE 10K JA 1/16W
R1003	401 105 7909	MT-GLAZE 0.000 ZA 1/16W	R2064	401 105 4700	MT-GLAZE 39K JA 1/16W
R1004	401 226 1206	MT-GLAZE 150 FA 1/16W	R2065	401 158 4108	MT-GLAZE 4.7 JA 1/16W
R1005	401 226 1206	MT-GLAZE 150 FA 1/16W	R2066	401 105 0405	MT-GLAZE 100 JA 1/16W
R1006	401 105 7909	MT-GLAZE 0.000 ZA 1/16W	R2067	401 158 4108	MT-GLAZE 4.7 JA 1/16W
R1007	401 226 1206	MT-GLAZE 150 FA 1/16W	R2068	401 105 4700	MT-GLAZE 39K JA 1/16W
R1008	401 226 1206	MT-GLAZE 150 FA 1/16W	R2069	401 105 0603	MT-GLAZE 10K JA 1/16W
R1009	401 105 7909	MT-GLAZE 0.000 ZA 1/16W	R2070	401 105 0603	MT-GLAZE 10K JA 1/16W
R1010	401 113 4709	MT-GLAZE 130 JA 1/16W	R2071	401 105 0603	MT-GLAZE 10K JA 1/16W
R1011	401 113 4709	MT-GLAZE 130 JA 1/16W	R2072	401 105 0603	MT-GLAZE 10K JA 1/16W
R1012	401 105 7909	MT-GLAZE 0.000 ZA 1/16W	R2073	401 105 0603	MT-GLAZE 10K JA 1/16W
R1014	401 105 0405	MT-GLAZE 100 JA 1/16W	R2074	401 105 0405	MT-GLAZE 100 JA 1/16W
R1015	401 113 4709	MT-GLAZE 130 JA 1/16W	R2075	401 105 0405	MT-GLAZE 100 JA 1/16W
R1016	401 105 7909	MT-GLAZE 0.000 ZA 1/16W	R2076	401 105 0405	MT-GLAZE 100 JA 1/16W
R1018	401 105 0405	MT-GLAZE 100 JA 1/16W	R2077	401 105 7909	MT-GLAZE 0.000 ZA 1/16W
R1019	401 113 4709	MT-GLAZE 130 JA 1/16W	R2078	401 105 7909	MT-GLAZE 0.000 ZA 1/16W
R1022	401 105 4502	MT-GLAZE 390 JA 1/16W	R2079	401 105 7909	MT-GLAZE 0.000 ZA 1/16W
R1024	401 105 0504	MT-GLAZE 1K JA 1/16W	R2081	401 105 2805	MT-GLAZE 2.2K JA 1/16W
R1026	401 105 4502	MT-GLAZE 390 JA 1/16W	R2082	401 105 7909	MT-GLAZE 0.000 ZA 1/16W
R1028	401 105 0504	MT-GLAZE 1K JA 1/16W	R2084	401 105 0405	MT-GLAZE 100 JA 1/16W
R1031	401 105 4502	MT-GLAZE 390 JA 1/16W	R2085	401 105 0405	MT-GLAZE 100 JA 1/16W
R1033	401 105 0504	MT-GLAZE 1K JA 1/16W	R2086	401 105 0405	MT-GLAZE 100 JA 1/16W
R1034	401 105 7909	MT-GLAZE 0.000 ZA 1/16W	R2087	401 105 0405	MT-GLAZE 100 JA 1/16W
R1035	401 105 7909	MT-GLAZE 0.000 ZA 1/16W	R2088	401 105 0603	MT-GLAZE 10K JA 1/16W
R1036	401 105 7909	MT-GLAZE 0.000 ZA 1/16W	R2089	401 105 0603	MT-GLAZE 10K JA 1/16W
R1037	401 105 0702	MT-GLAZE 100K JA 1/16W	R2094	401 105 0603	MT-GLAZE 10K JA 1/16W
R1038	401 105 0702	MT-GLAZE 100K JA 1/16W	R2095	401 105 0603	MT-GLAZE 10K JA 1/16W
R1046	401 105 0405	MT-GLAZE 100 JA 1/16W	R2096	401 105 0603	MT-GLAZE 10K JA 1/16W
R1051	401 105 7909	MT-GLAZE 0.000 ZA 1/16W	R2097	401 105 7909	MT-GLAZE 0.000 ZA 1/16W
R1053	401 105 8005	MT-GLAZE 1M JA 1/16W	R2098	401 105 7909	MT-GLAZE 0.000 ZA 1/16W
R1054	401 105 4601	MT-GLAZE 3.9K JA 1/16W	R2099	401 105 7909	MT-GLAZE 0.000 ZA 1/16W
R1055	401 105 0405	MT-GLAZE 100 JA 1/16W	R3001	401 105 5509	MT-GLAZE 470K JA 1/16W
R1056	401 105 0405	MT-GLAZE 100 JA 1/16W	R3002	401 105 5509	MT-GLAZE 470K JA 1/16W
R1058	401 105 0603	MT-GLAZE 10K JA 1/16W	R3003	401 105 0405	MT-GLAZE 100 JA 1/16W
R1059	401 105 0405	MT-GLAZE 100 JA 1/16W	R3004	401 105 0405	MT-GLAZE 100 JA 1/16W
R1061	401 105 0405	MT-GLAZE 100 JA 1/16W	R3006	401 105 2805	MT-GLAZE 2.2K JA 1/16W
R1062	401 105 0405	MT-GLAZE 100 JA 1/16W	R3007	401 113 6604	MT-GLAZE 7.5K JA 1/16W
R1063	401 113 6604	MT-GLAZE 7.5K JA 1/16W	R3008	401 105 3000	MT-GLAZE 220K JA 1/16W
R1064	401 113 5201	MT-GLAZE 360 JA 1/16W	R3009	401 105 3000	MT-GLAZE 220K JA 1/16W
R1065	401 105 0405	MT-GLAZE 100 JA 1/16W	R3011	401 105 3000	MT-GLAZE 220K JA 1/16W
R1066	401 105 0405	MT-GLAZE 100 JA 1/16W	R3012	401 105 0405	MT-GLAZE 100 JA 1/16W
R1067	401 105 0405	MT-GLAZE 100 JA 1/16W	R3013	401 105 2805	MT-GLAZE 2.2K JA 1/16W
R1068	401 105 0603	MT-GLAZE 10K JA 1/16W	R3014	401 105 0405	MT-GLAZE 100 JA 1/16W
R1069	401 105 0405	MT-GLAZE 100 JA 1/16W	R3015	401 105 3000	MT-GLAZE 220K JA 1/16W
R1070	401 105 3000	MT-GLAZE 220K JA 1/16W	R3016	401 105 0405	MT-GLAZE 100 JA 1/16W
R1071	401 105 0405	MT-GLAZE 100 JA 1/16W	R3017	401 105 2805	MT-GLAZE 2.2K JA 1/16W
R1072	401 105 3000	MT-GLAZE 220K JA 1/16W	R3018	401 105 0405	MT-GLAZE 100 JA 1/16W
R1073	401 105 0405	MT-GLAZE 100 JA 1/16W	R3021	401 105 7909	MT-GLAZE 0.000 ZA 1/16W
R1075	401 105 0603	MT-GLAZE 10K JA 1/16W	R3022	401 105 7909	MT-GLAZE 0.000 ZA 1/16W
R1076	401 105 0405	MT-GLAZE 100 JA 1/16W	R3031	401 105 7909	MT-GLAZE 0.000 ZA 1/16W
R1077	401 105 0405	MT-GLAZE 100 JA 1/16W	R3045	401 105 0603	MT-GLAZE 10K JA 1/16W
R1078	401 105 0405	MT-GLAZE 100 JA 1/16W	R3046	401 105 0603	MT-GLAZE 10K JA 1/16W
R1091	401 105 0603	MT-GLAZE 10K JA 1/16W	R3047	401 105 0603	MT-GLAZE 10K JA 1/16W
R1092	401 105 0603	MT-GLAZE 10K JA 1/16W	R3048	401 105 7909	MT-GLAZE 0.000 ZA 1/16W
R1093	401 105 0603	MT-GLAZE 10K JA 1/16W	R3051	401 105 0603	MT-GLAZE 10K JA 1/16W
R1094	401 105 0603	MT-GLAZE 10K JA 1/16W	R3052	401 105 0603	MT-GLAZE 10K JA 1/16W
R2001	401 105 0405	MT-GLAZE 100 JA 1/16W	R3053	401 105 7909	MT-GLAZE 0.000 ZA 1/16W
R2002	401 105 0603	MT-GLAZE 10K JA 1/16W	R3054	401 105 7909	MT-GLAZE 0.000 ZA 1/16W
R2003	401 105 0504	MT-GLAZE 1K JA 1/16W	R3061	401 105 0603	MT-GLAZE 10K JA 1/16W
R2004	401 105 0405	MT-GLAZE 100 JA 1/16W	R3062	401 105 0603	MT-GLAZE 10K JA 1/16W
R2005	401 105 0405	MT-GLAZE 100 JA 1/16W	R3063	401 105 0405	MT-GLAZE 100 JA 1/16W
R2007	403 164 0204	CERAMIC 0.1U Z 25V	R3064	401 105 0603	MT-GLAZE 10K JA 1/16W
R2008	401 105 0504	MT-GLAZE 1K JA 1/16W	R3065	401 105 0603	MT-GLAZE 10K JA 1/16W
R2009	401 105 0504	MT-GLAZE 1K JA 1/16W	R3066	401 105 7909	MT-GLAZE 0.000 ZA 1/16W
R2011	401 105 0405	MT-GLAZE 100 JA 1/16W	R3072	401 035 4108	MT-GLAZE 0.000 ZA 1/8W
R2012	401 105 7909	MT-GLAZE 0.000 ZA 1/16W	R3081	401 105 4502	MT-GLAZE 390 JA 1/16W
R2013	401 105 1907	MT-GLAZE 180 JA 1/16W	R3083	401 105 0504	MT-GLAZE 1K JA 1/16W
R2014	401 105 0405	MT-GLAZE 100 JA 1/16W	R3084	401 105 4502	MT-GLAZE 390 JA 1/16W
R2015	401 105 7909	MT-GLAZE 0.000 ZA 1/16W	R3086	401 105 0504	MT-GLAZE 1K JA 1/16W
R2016	401 105 1907	MT-GLAZE 180 JA 1/16W	R3087	401 105 4502	MT-GLAZE 390 JA 1/16W
R2017	401 105 0405	MT-GLAZE 100 JA 1/16W	R3089	401 105 0504	MT-GLAZE 1K JA 1/16W
R2018	401 105 7909	MT-GLAZE 0.000 ZA 1/16W	R3091	401 105 7909	MT-GLAZE 0.000 ZA 1/16W
R2019	401 105 1907	MT-GLAZE 180 JA 1/16W	R3092	401 105 7909	MT-GLAZE 0.000 ZA 1/16W
R2021	401 105 7404	MT-GLAZE 8.2K JA 1/16W	R3093	401 105 7909	MT-GLAZE 0.000 ZA 1/16W
R2022	401 105 4601	MT-GLAZE 3.9K JA 1/16W	COIL		
R2023	401 105 2102	MT-GLAZE 18K JA 1/16W	L1004	645 025 0637	FILTER, EMI 190PF
R2025	401 105 7503	MT-GLAZE 82K JA 1/16W	L1005	645 025 0637	FILTER, EMI 190PF
R2026	401 105 2805	MT-GLAZE 2.2K JA 1/16W	L1061	645 036 3894	INDUCTOR, 220 OHM
R2027	401 105 5301	MT-GLAZE 4.7K JA 1/16W	L2001	645 036 3894	INDUCTOR, 220 OHM
R2028	401 105 3406	MT-GLAZE 27K JA 1/16W	L2004	645 036 3894	INDUCTOR, 220 OHM
R2031	401 105 0603	MT-GLAZE 10K JA 1/16W	L2007	645 036 3894	INDUCTOR, 220 OHM
R2032	401 105 7909	MT-GLAZE 0.000 ZA 1/16W	L2071	645 036 3894	INDUCTOR, 220 OHM
R2033	401 105 7909	MT-GLAZE 0.000 ZA 1/16W	L2072	645 036 3894	INDUCTOR, 220 OHM
R2034	401 105 7909	MT-GLAZE 0.000 ZA 1/16W	L3001	645 014 2659	FILTER, EMI 10MHZ
R2035	401 105 7909	MT-GLAZE 0.000 ZA 1/16W	L3002	645 014 2659	FILTER, EMI 10MHZ
R2042	401 113 5201	MT-GLAZE 360 JA 1/16W	L3003	645 014 2659	FILTER, EMI 10MHZ

Electrical Parts List

Ref. No.	Part No.	Description	Ref. No.	Part No.	Description
L3004	645 014 2659	FILTER,EMI 10MHZ		405 015 8902	TR 2SC2812-L7-TB
L3005	645 014 2659	FILTER,EMI 10MHZ		405 163 1602	TR 2SC2812N-L6-TB0
L3006	645 014 2659	FILTER,EMI 10MHZ		405 163 1701	TR 2SC2812N-L7-TB0
L3007	645 014 2659	FILTER,EMI 10MHZ	Q281	405 014 4509	TR 2SC2412K T146 R
L3008	645 014 2659	FILTER,EMI 10MHZ		405 014 4608	TR 2SC2412K T146 S
L3009	645 014 2659	FILTER,EMI 10MHZ		405 015 8704	TR 2SC2812-L6-TB
DIODE				405 015 8902	TR 2SC2812-L7-TB
D1001	407 209 1201	ZD UDZS-TE-176.2B		405 163 1602	TR 2SC2812N-L6-TB0
D1002	407 209 1201	ZD UDZS-TE-176.2B		405 163 1701	TR 2SC2812N-L7-TB0
D1003	407 209 1201	ZD UDZS-TE-176.2B	Q4861	405 014 4509	TR 2SC2412K T146 R
D1004	407 209 1201	ZD UDZS-TE-176.2B		405 014 4608	TR 2SC2412K T146 S
D1005	407 209 1201	ZD UDZS-TE-176.2B		405 015 8704	TR 2SC2812-L6-TB
D1006	407 209 1201	ZD UDZS-TE-176.2B		405 015 8902	TR 2SC2812-L7-TB
D1007	407 223 1102	ZENER DIODE 02DZ6.2Y(TPH3		405 163 1602	TR 2SC2812N-L6-TB0
D1008	407 223 1102	ZENER DIODE 02DZ6.2Y(TPH3		405 163 1701	TR 2SC2812N-L7-TB0
D1009	407 223 1102	ZENER DIODE 02DZ6.2Y(TPH3	Q4862	405 134 5905	TR 2SA1037AK-T146-R
D1011	407 223 1102	ZENER DIODE 02DZ6.2Y(TPH3		405 147 2205	TR 2SA1037AK-S-T146
D1012	407 149 0807	DIODE 1SS355-TE-17		405 002 0308	TR 2SA1037K T146 R
D1013	407 149 0807	DIODE 1SS355-TE-17		405 002 0407	TR 2SA1037K T146 S
D2001	407 149 0807	DIODE 1SS355-TE-17		405 002 6706	TR 2SA1179-M6-TB
D2061	407 149 0807	DIODE 1SS355-TE-17		405 002 6904	TR 2SA1179-M7-TB
D2062	407 149 0807	DIODE 1SS355-TE-17		405 163 1503	TR 2SA1179N-M6-TB
D2081	407 149 0807	DIODE 1SS355-TE-17		405 163 2708	TR 2SA1179N-M7-TB
D2082	407 149 0807	DIODE 1SS355-TE-17	Q5630	405 156 0209	TR 2SK2376
D3001	407 223 0501	ZENER DIODE 02DZ12Y(TPH3)	Q5811	405 134 5905	TR 2SA1037AK-T146-R
D3002	407 223 0501	ZENER DIODE 02DZ12Y(TPH3)		405 147 2205	TR 2SA1037AK-S-T146
D3003	407 223 0501	ZENER DIODE 02DZ12Y(TPH3)		405 002 0308	TR 2SA1037K T146 R
D3004	407 223 0501	ZENER DIODE 02DZ12Y(TPH3)		405 002 0407	TR 2SA1037K T146 S
D3005	407 223 0501	ZENER DIODE 02DZ12Y(TPH3)		405 002 6706	TR 2SA1179-M6-TB
D3006	407 223 0501	ZENER DIODE 02DZ12Y(TPH3)		405 002 6904	TR 2SA1179-M7-TB
D3007	407 223 0501	ZENER DIODE 02DZ12Y(TPH3)		405 163 1503	TR 2SA1179N-M6-TB
D3008	407 223 0501	ZENER DIODE 02DZ12Y(TPH3)		405 163 2708	TR 2SA1179N-M7-TB
D3009	407 223 0501	ZENER DIODE 02DZ12Y(TPH3)	Q5851	405 014 4509	TR 2SC2412K T146 R
D3011	407 223 0501	ZENER DIODE 02DZ12Y(TPH3)		405 014 4608	TR 2SC2412K T146 S
D3012	407 223 0501	ZENER DIODE 02DZ12Y(TPH3)		405 015 8704	TR 2SC2812-L6-TB
D3013	407 223 0501	ZENER DIODE 02DZ12Y(TPH3)		405 015 8902	TR 2SC2812-L7-TB
D3014	407 223 0501	ZENER DIODE 02DZ12Y(TPH3)		405 163 1602	TR 2SC2812N-L6-TB0
D3015	407 223 1102	ZENER DIODE 02DZ6.2Y(TPH3		405 163 1701	TR 2SC2812N-L7-TB0
MISCELLANEOUS			Q5876	405 014 4509	TR 2SC2412K T146 R
TP1001	645 036 5010	TERMINAL		405 014 4608	TR 2SC2412K T146 S
TP1002	645 036 5010	TERMINAL		405 015 8704	TR 2SC2812-L6-TB
TP1003	645 036 5010	TERMINAL		405 015 8902	TR 2SC2812-L7-TB
TP2071	645 036 5010	TERMINAL		405 163 1602	TR 2SC2812N-L6-TB0
TP2072	645 036 5010	TERMINAL		405 163 1701	TR 2SC2812N-L7-TB0
TP2073	645 036 5010	TERMINAL	Q9801	405 134 5905	TR 2SA1037AK-T146-R
K10A	645 028 0412	SOCKET,BNC 5P		405 147 2205	TR 2SA1037AK-S-T146
K10B	645 040 9974	JACK,RCA-2		405 002 0308	TR 2SA1037K T146 R
K10C	645 041 1076	SOCKET,DIN 8P		405 002 0407	TR 2SA1037K T146 S
K10H	645 041 6071	SOCKET,I/O 176P		405 002 6706	TR 2SA1179-M6-TB
K10H1	610 289 9795	JOINT GUIDE BUSH ML6A		405 002 6904	TR 2SA1179-M7-TB
K10H2	610 289 9795	JOINT GUIDE BUSH ML6A		405 163 1503	TR 2SA1179N-M6-TB
X1061	645 046 9213	OSC,CERAMIC 503.0KHZ		405 163 2708	TR 2SA1179N-M7-TB
X3051	645 021 1218	OSC,CERAMIC 8.00MHZ			
	645 037 5187	OSC,CERAMIC 8.00MHZ			
X3061	645 021 1218	OSC,CERAMIC 8.00MHZ			
	645 037 5187	OSC,CERAMIC 8.00MHZ			

ASSY,PWB,MAIN					
	See page-97	ASSY, PWB, MAIN			
TRANSISTOR					
Q1831	405 014 4509	TR 2SC2412K T146 R		IC1302	409 301 5309
	405 014 4608	TR 2SC2412K T146 S		IC1311	409 339 3605
	405 015 8704	TR 2SC2812-L6-TB		IC1331	409 501 9107
	405 015 8902	TR 2SC2812-L7-TB		IC1341	409 501 9107
	405 163 1602	TR 2SC2812N-L6-TB0		IC1351	410 432 8206
	405 163 1701	TR 2SC2812N-L7-TB0			410 432 8503
Q1832	405 014 4509	TR 2SC2412K T146 R		IC1352	410 352 8508
	405 014 4608	TR 2SC2412K T146 S			410 397 0406
	405 015 8704	TR 2SC2812-L6-TB		IC1362	409 475 8403
	405 015 8902	TR 2SC2812-L7-TB		IC1801	409 475 3705
	405 163 1602	TR 2SC2812N-L6-TB0		IC1811	409 339 3605
	405 163 1701	TR 2SC2812N-L7-TB0		IC1821	410 364 6905
Q1833	405 014 4509	TR 2SC2412K T146 R		IC1822	410 367 1402
	405 014 4608	TR 2SC2412K T146 S		IC1823	409 301 5309
	405 015 8704	TR 2SC2812-L6-TB		IC1824	409 301 5309
	405 015 8902	TR 2SC2812-L7-TB		IC1851	409 421 8808
	405 163 1602	TR 2SC2812N-L6-TB0		IC1871	409 390 6201
	405 163 1701	TR 2SC2812N-L7-TB0		IC1881	410 311 5708
Q1834	405 014 4509	TR 2SC2412K T146 R			410 315 5506
	405 014 4608	TR 2SC2412K T146 S			410 356 7507
	405 015 8704	TR 2SC2812-L6-TB		IC201	409 461 7304
	405 015 8902	TR 2SC2812-L7-TB		IC211	409 461 7304
	405 163 1602	TR 2SC2812N-L6-TB0		IC221	409 461 7304
	405 163 1701	TR 2SC2812N-L7-TB0		IC231	409 461 7304
Q1881	405 014 4509	TR 2SC2412K T146 R		IC2311	409 444 0902
	405 014 4608	TR 2SC2412K T146 S		IC2331	409 357 6602
	405 015 8704	TR 2SC2812-L6-TB		IC2381	409 461 7304
	405 015 8902	TR 2SC2812-L7-TB		IC2386	409 461 7304
	405 163 1602	TR 2SC2812N-L6-TB0		IC2391	409 461 7304
	405 163 1701	TR 2SC2812N-L7-TB0		IC2401	410 376 3404
Q2361	405 014 4509	TR 2SC2412K T146 R			410 388 2105
	405 014 4608	TR 2SC2412K T146 S		IC2404	410 325 4605
	405 015 8704	TR 2SC2812-L6-TB			410 325 4704
					410 421 4400
				IC241	409 461 7304
				IC251	409 461 7304
				IC2541	409 481 8602
				IC2561	409 390 0001
					409 486 7709
				IC2571	409 390 0001
					409 486 7709
				IC2581	409 390 0001
					409 486 7709

Electrical Parts List

Ref. No.	Part No.	Description	Ref. No.	Part No.	Description
IC2591	409 486 7709	IC LM7171BIMX	IC872	410 365 5600	IC SN74LVCC4245APWR
	409 390 0001	IC LM7171AIMX	IC873	410 365 5600	IC SN74LVCC4245APWR
	409 486 7709	IC LM7171BIMX	IC874	410 311 5708	IC MC74HCT244ADT
IC261	409 461 7304	IC AD8057ART		410 315 5506	IC HD74HCT244TV
IC262	409 461 7304	IC AD8057ART		410 356 7507	IC SN74HCT244PWR
IC263	409 461 7304	IC AD8057ART	IC875	410 311 5708	IC MC74HCT244ADT
IC281	409 357 6602	IC LT1260CS		410 315 5506	IC HD74HCT244TV
IC295	409 416 6505	IC BA05FP-E2		410 356 7507	IC SN74HCT244PWR
IC301	409 502 4903	IC PW365-20U	IC876	410 311 5708	IC MC74HCT244ADT
IC3201	410 321 8300	IC TC74VCX16244FT		410 315 5506	IC HD74HCT244TV
IC3202	410 321 8300	IC TC74VCX16244FT		410 356 7507	IC SN74HCT244PWR
IC3203	410 321 8300	IC TC74VCX16244FT	IC887	409 461 7304	IC AD8057ART
IC3204	410 401 7407	IC TC74VCX244FT	IC892	410 367 1501	IC M5M51008CFP-70HI
IC3231	410 403 4206	IC EP1K10TC144-1		410 415 5208	IC M5M51008DFP-70HI
IC3232	409 475 8403	IC SI-3025LS-TL	IC893	409 330 2508	IC TC7SH04FU-(TE85L)
IC3270	409 462 2308	IC TC7SZ04FU-TE852		410 356 7606	IC SN74AHC1G04HDCKR
IC3271	410 401 7506	IC TC74VCX16374FT	IC9801	409 468 8908	IC ML60851CTB
IC3272	410 321 8300	IC TC74VCX16244FT		409 521 4502	IC ML60851DTB
IC3273	410 401 7506	IC TC74VCX16374FT	CAPACITOR		
IC3274	410 321 8300	IC TC74VCX16244FT	C1311	403 280 0508	ELECT 470U M 4V
IC3275	410 401 7506	IC TC74VCX16374FT	C1312	403 164 0204	CERAMIC 0.1U Z 25V
IC3276	410 321 8300	IC TC74VCX16244FT	C1331	403 149 9208	CERAMIC 0.01U Z 50V
IC3277	410 391 2109	IC TC74VCX374FT (EL)	C1341	403 149 9208	CERAMIC 0.01U Z 50V
IC3278	410 401 7407	IC TC74VCX244FT	C1351	403 280 0508	ELECT 470U M 4V
IC3295	410 337 0602	IC HD74LVC14T	C1352	403 164 0204	CERAMIC 0.1U Z 25V
IC3296	410 392 4706	IC SN74AHCT1G125DCK	C1354	403 164 0204	CERAMIC 0.1U Z 25V
IC3297	410 392 4706	IC SN74AHCT1G125DCK	C1365	403 280 0805	ELECT 330U M 6.3V
IC3298	409 330 2508	IC TC7SH04FU-(TE85L)	C1367	403 280 0508	ELECT 470U M 4V
	410 356 7606	IC SN74AHC1G04HDCKR	C1368	403 164 0204	CERAMIC 0.1U Z 25V
IC3299	409 439 8906	IC TC7WH125FU	C1376	403 164 0204	CERAMIC 0.1U Z 25V
IC3351	409 419 3709	IC MC10H351ML1	C1377	403 164 0204	CERAMIC 0.1U Z 25V
IC3401	410 403 4305	IC EP1K100QC208-2	C1503	403 164 0204	CERAMIC 0.1U Z 25V
IC3511	410 311 5708	IC MC74HCT244ADT	C1533	403 164 0204	CERAMIC 0.1U Z 25V
	410 315 5506	IC HD74HCT244TV	C1563	403 164 0204	CERAMIC 0.1U Z 25V
	410 356 7507	IC SN74HCT244PWR	C1801	403 164 0204	CERAMIC 0.1U Z 25V
IC3521	410 311 5708	IC MC74HCT244ADT	C1802	403 164 0204	CERAMIC 0.1U Z 25V
	410 315 5506	IC HD74HCT244TV	C1803	403 164 0204	CERAMIC 0.1U Z 25V
	410 356 7507	IC SN74HCT244PWR	C1804	403 280 0805	ELECT 330U M 6.3V
IC3561	409 422 5806	IC M62398FP	C1811	403 164 0204	CERAMIC 0.1U Z 25V
IC401	409 487 8002	IC CXD3511Q	C1821	403 164 0204	CERAMIC 0.1U Z 25V
IC406	410 311 5708	IC MC74HCT244ADT	C1822	403 164 0204	CERAMIC 0.1U Z 25V
	410 315 5506	IC HD74HCT244TV	C1823	403 164 0204	CERAMIC 0.1U Z 25V
	410 356 7507	IC SN74HCT244PWR	C1850	403 280 1604	ELECT 220U M 16V
IC407	410 311 5708	IC MC74HCT244ADT	C1851	403 267 0606	NP-ELECT 4.7U M 16V
	410 315 5506	IC HD74HCT244TV	C1852	403 280 1604	ELECT 220U M 16V
	410 356 7507	IC SN74HCT244PWR	C1853	403 215 2904	CERAMIC 0.022U K 25V
IC408	410 311 5708	IC MC74HCT244ADT	C1854	403 272 5603	CERAMIC 0.033U K 16V
	410 315 5506	IC HD74HCT244TV	C1856	403 348 5803	CERAMIC 0.47U K 10V
	410 356 7507	IC SN74HCT244PWR	C1857	403 149 9208	CERAMIC 0.01U Z 50V
IC4201	410 362 7904	IC TC220C700TB-503	C1858	403 175 3300	ELECT 47U M 16V
IC4231	409 444 8700	IC ICS1523M-ER	C1859	403 164 0204	CERAMIC 0.1U Z 25V
IC4261	409 475 8403	IC SI-3025LS-TL	C1861	403 272 5603	CERAMIC 0.033U K 16V
IC4811	410 325 4605	IC TC74LCX244FT	C1862	403 348 5803	CERAMIC 0.47U K 10V
	410 325 4704	IC HD74LVC244AT	C1863	403 215 2904	CERAMIC 0.022U K 25V
	410 421 4400	IC 74LCX244MTCX	C1864	403 280 1604	ELECT 220U M 16V
IC4821	410 325 4605	IC TC74LCX244FT	C1865	403 164 0204	CERAMIC 0.1U Z 25V
	410 325 4704	IC HD74LVC244AT	C1866	403 280 1604	ELECT 220U M 16V
	410 421 4400	IC 74LCX244MTCX	C1867	403 267 0606	NP-ELECT 4.7U M 16V
IC4831	410 325 4605	IC TC74LCX244FT	C1871	403 157 1904	CERAMIC 10P D 50V
	410 325 4704	IC HD74LVC244AT	C1872	403 348 5803	CERAMIC 0.47U K 10V
	410 421 4400	IC 74LCX244MTCX	C1873	403 157 1904	CERAMIC 10P D 50V
IC4851	409 330 2508	IC TC7SH04FU-(TE85L)	C1881	403 164 0204	CERAMIC 0.1U Z 25V
	410 356 7606	IC SN74AHC1G04HDCKR	C1890	403 164 0204	CERAMIC 0.1U Z 25V
IC4855	410 356 7903	IC SN74AHC1G08HDCKR	C1891	403 164 0204	CERAMIC 0.1U Z 25V
IC4861	409 416 6505	IC BA05FP-E2	C1892	403 164 0204	CERAMIC 0.1U Z 25V
IC4871	410 325 4605	IC TC74LCX244FT	C1893	403 164 0204	CERAMIC 0.1U Z 25V
	410 325 4704	IC HD74LVC244AT	C1894	403 164 0204	CERAMIC 0.1U Z 25V
	410 421 4400	IC 74LCX244MTCX	C1895	403 164 0204	CERAMIC 0.1U Z 25V
IC4881	410 325 4605	IC TC74LCX244FT	C202	403 164 0204	CERAMIC 0.1U Z 25V
	410 325 4704	IC HD74LVC244AT	C204	403 164 0204	CERAMIC 0.1U Z 25V
	410 421 4400	IC 74LCX244MTCX	C205	403 157 1904	CERAMIC 10P D 50V
IC4891	409 497 6302	IC BA09FP-E2	C206	403 267 0804	NP-ELECT 47U M 6.3V
IC501	409 520 3100	IC CXA3562AR	C211	403 157 1904	CERAMIC 10P D 50V
	409 498 6004	IC CXA3562R	C212	403 267 0804	NP-ELECT 47U M 6.3V
IC531	409 520 3100	IC CXA3562AR	C214	403 157 1508	CERAMIC 3P C 50V
	409 498 6004	IC CXA3562R	C215	403 157 1508	CERAMIC 3P C 50V
IC561	409 520 3100	IC CXA3562AR	C216	403 157 1508	CERAMIC 3P C 50V
	409 498 6004	IC CXA3562R	C221	403 157 1904	CERAMIC 10P D 50V
IC5630	409 344 6509	IC UPC1093T-E1	C222	403 267 0804	NP-ELECT 47U M 6.3V
IC5631	409 461 7809	IC PQ20WZ11	C2301	403 267 0804	NP-ELECT 47U M 6.3V
IC6301	410 319 4208	IC MB81G163222-80TQ	C2302	403 267 0804	NP-ELECT 47U M 6.3V
	410 365 4603	IC MS82V16520-8AGA	C2303	403 267 0804	NP-ELECT 47U M 6.3V
IC6321	410 319 4208	IC MB81G163222-80TQ	C2311	403 280 0805	ELECT 330U M 6.3V
	410 365 4603	IC MS82V16520-8AGA	C2312	403 164 0204	CERAMIC 0.1U Z 25V
IC6341	410 319 4208	IC MB81G163222-80TQ	C2313	403 280 0607	ELECT 220U M 6.3V
	410 365 4603	IC MS82V16520-8AGA	C2314	403 164 0204	CERAMIC 0.1U Z 25V
IC801	410 402 7307	IC HD64F7045F28-B841-S	C2315	403 162 6208	ELECT 1U M 50V
	410 402 7901	IC HD64F7045F28-B841	C2316	403 164 0204	CERAMIC 0.1U Z 25V
IC802	409 344 1900	IC MN1382-Q-TX	C2318	403 164 0204	CERAMIC 0.1U Z 25V
IC8201	409 504 8206	IC AD9886KS-140	C2319	403 164 0204	CERAMIC 0.1U Z 25V
IC8202	409 416 6406	IC BA033FP-E2	C232	403 164 0204	CERAMIC 0.1U Z 25V
	409 410 1001	IC UPC2933T-E1	C2321	403 164 0204	CERAMIC 0.1U Z 25V
IC8281	409 458 3401	IC M62393FP	C2331	403 164 0204	CERAMIC 0.1U Z 25V
IC871	410 435 4304	IC MBM29LV160BE-90-B934AS	C2332	403 164 0204	CERAMIC 0.1U Z 25V
	410 435 4403	IC MBM29LV160BE-90-B934A	C2334	403 164 0204	CERAMIC 0.1U Z 25V

Electrical Parts List

Ref. No.	Part No.	Description	Ref. No.	Part No.	Description
C2336	403 164 0204	CERAMIC 0.1U Z 25V	C3237	403 164 0204	CERAMIC 0.1U Z 25V
C2338	403 164 0204	CERAMIC 0.1U Z 25V	C3239	403 164 0204	CERAMIC 0.1U Z 25V
C234	403 164 0204	CERAMIC 0.1U Z 25V	C3241	403 164 0204	CERAMIC 0.1U Z 25V
C2370	403 164 0204	CERAMIC 0.1U Z 25V	C3261	403 164 0204	CERAMIC 0.1U Z 25V
C2377	403 280 0805	ELECT 330U M 6.3V	C3263	403 164 0204	CERAMIC 0.1U Z 25V
C2378	403 164 0204	CERAMIC 0.1U Z 25V	C3264	403 164 0204	CERAMIC 0.1U Z 25V
C2379	403 280 0805	ELECT 330U M 6.3V	C3265	403 164 0204	CERAMIC 0.1U Z 25V
C2381	403 157 1508	CERAMIC 3P C 50V	C3266	403 164 0204	CERAMIC 0.1U Z 25V
C2382	403 157 1904	CERAMIC 10P D 50V	C3268	403 175 0606	ELECT 100U M 6.3V
C2386	403 157 1508	CERAMIC 3P C 50V	C3271	403 280 0508	ELECT 470U M 4V
C2387	403 157 1904	CERAMIC 10P D 50V	C3272	403 113 3805	CERAMIC 1000P K 50V
C2391	403 157 1508	CERAMIC 3P C 50V	C3273	403 164 0204	CERAMIC 0.1U Z 25V
C2392	403 157 1904	CERAMIC 10P D 50V	C3274	403 164 0204	CERAMIC 0.1U Z 25V
C2401	403 280 0508	ELECT 470U M 4V	C3275	403 164 0204	CERAMIC 0.1U Z 25V
C2402	403 164 0204	CERAMIC 0.1U Z 25V	C3276	403 164 0204	CERAMIC 0.1U Z 25V
C2403	403 280 0508	ELECT 470U M 4V	C3277	403 113 3805	CERAMIC 1000P K 50V
C2404	403 164 0204	CERAMIC 0.1U Z 25V	C3278	403 113 3805	CERAMIC 1000P K 50V
C2406	403 164 0204	CERAMIC 0.1U Z 25V	C3279	403 164 0204	CERAMIC 0.1U Z 25V
C2407	403 164 0204	CERAMIC 0.1U Z 25V	C3281	403 164 0204	CERAMIC 0.1U Z 25V
C2408	403 164 0204	CERAMIC 0.1U Z 25V	C3282	403 164 0204	CERAMIC 0.1U Z 25V
C2409	403 164 0204	CERAMIC 0.1U Z 25V	C3283	403 164 0204	CERAMIC 0.1U Z 25V
C2413	403 164 0204	CERAMIC 0.1U Z 25V	C3284	403 113 3805	CERAMIC 1000P K 50V
C2414	403 164 0204	CERAMIC 0.1U Z 25V	C3285	403 113 3805	CERAMIC 1000P K 50V
C2416	403 164 0204	CERAMIC 0.1U Z 25V	C3286	403 164 0204	CERAMIC 0.1U Z 25V
C2417	403 164 0204	CERAMIC 0.1U Z 25V	C3287	403 164 0204	CERAMIC 0.1U Z 25V
C2419	403 164 0204	CERAMIC 0.1U Z 25V	C3288	403 164 0204	CERAMIC 0.1U Z 25V
C2421	403 164 0204	CERAMIC 0.1U Z 25V	C3289	403 164 0204	CERAMIC 0.1U Z 25V
C2423	403 164 0204	CERAMIC 0.1U Z 25V	C3291	403 113 3805	CERAMIC 1000P K 50V
C2424	403 164 0204	CERAMIC 0.1U Z 25V	C3292	403 164 0204	CERAMIC 0.1U Z 25V
C2428	403 164 0204	CERAMIC 0.1U Z 25V	C3293	403 164 0204	CERAMIC 0.1U Z 25V
C2429	403 164 0204	CERAMIC 0.1U Z 25V	C3294	403 164 0204	CERAMIC 0.1U Z 25V
C2470	403 162 4709	ELECT 10U M 16V	C3297	403 164 0204	CERAMIC 0.1U Z 25V
C2471	403 164 0204	CERAMIC 0.1U Z 25V	C3351	403 164 0204	CERAMIC 0.1U Z 25V
C2472	403 164 0204	CERAMIC 0.1U Z 25V	C3352	403 304 1801	ELECT 100U M 6.3V
C2473	403 162 4709	ELECT 10U M 16V	C3401	403 175 0606	ELECT 100U M 6.3V
C2491	403 164 0204	CERAMIC 0.1U Z 25V	C3402	403 164 0204	CERAMIC 0.1U Z 25V
C2501	403 280 1604	ELECT 220U M 16V	C3403	403 175 0606	ELECT 100U M 6.3V
C2502	403 164 0204	CERAMIC 0.1U Z 25V	C3404	403 164 0204	CERAMIC 0.1U Z 25V
C2503	403 280 1604	ELECT 220U M 16V	C3405	403 164 0204	CERAMIC 0.1U Z 25V
C2504	403 164 0204	CERAMIC 0.1U Z 25V	C3410	403 164 0204	CERAMIC 0.1U Z 25V
C2511	403 164 0204	CERAMIC 0.1U Z 25V	C3411	403 164 0204	CERAMIC 0.1U Z 25V
C2520	403 280 1604	ELECT 220U M 16V	C3414	403 164 0204	CERAMIC 0.1U Z 25V
C2521	403 164 0204	CERAMIC 0.1U Z 25V	C3415	403 164 0204	CERAMIC 0.1U Z 25V
C2522	403 280 1604	ELECT 220U M 16V	C3416	403 164 0204	CERAMIC 0.1U Z 25V
C2530	403 280 1604	ELECT 220U M 16V	C3417	403 164 0204	CERAMIC 0.1U Z 25V
C2531	403 164 0204	CERAMIC 0.1U Z 25V	C3418	403 164 0204	CERAMIC 0.1U Z 25V
C2532	403 280 1604	ELECT 220U M 16V	C3419	403 164 0204	CERAMIC 0.1U Z 25V
C2541	403 164 0204	CERAMIC 0.1U Z 25V	C3421	403 164 0204	CERAMIC 0.1U Z 25V
C2563	403 157 1904	CERAMIC 10P D 50V	C3425	403 164 0204	CERAMIC 0.1U Z 25V
C2573	403 157 1904	CERAMIC 10P D 50V	C3427	403 164 0204	CERAMIC 0.1U Z 25V
C2583	403 157 1904	CERAMIC 10P D 50V	C3428	403 164 0204	CERAMIC 0.1U Z 25V
C2593	403 157 1904	CERAMIC 10P D 50V	C3431	403 164 0204	CERAMIC 0.1U Z 25V
C261	403 304 1801	ELECT 100U M 6.3V	C3432	403 164 0204	CERAMIC 0.1U Z 25V
C262	403 283 6309	CERAMIC 1U Z 10V	C3433	403 164 0204	CERAMIC 0.1U Z 25V
	403 336 5600	CERAMIC 1U Z 10V	C3434	403 164 0204	CERAMIC 0.1U Z 25V
C263	403 304 1801	ELECT 100U M 6.3V	C3511	403 164 0204	CERAMIC 0.1U Z 25V
C264	403 283 6309	CERAMIC 1U Z 10V	C3521	403 164 0204	CERAMIC 0.1U Z 25V
	403 336 5600	CERAMIC 1U Z 10V	C3522	403 280 0805	ELECT 330U M 6.3V
C265	403 155 4204	CERAMIC 15P J 50V	C3523	403 113 3805	CERAMIC 1000P K 50V
C266	403 157 1904	CERAMIC 10P D 50V	C3561	403 164 0204	CERAMIC 0.1U Z 25V
C267	403 157 2109	CERAMIC 13P J 50V	C3562	403 304 1801	ELECT 100U M 6.3V
C268	403 157 1904	CERAMIC 10P D 50V	C3563	403 113 3805	CERAMIC 1000P K 50V
C269	403 157 2208	CERAMIC 16P J 50V	C3564	403 164 0204	CERAMIC 0.1U Z 25V
C270	403 157 1904	CERAMIC 10P D 50V	C400	403 164 0204	CERAMIC 0.1U Z 25V
C281	403 164 0204	CERAMIC 0.1U Z 25V	C401	403 280 0508	ELECT 470U M 4V
C282	403 164 0204	CERAMIC 0.1U Z 25V	C402	403 164 0204	CERAMIC 0.1U Z 25V
C283	403 164 0204	CERAMIC 0.1U Z 25V	C403	403 280 0508	ELECT 470U M 4V
C284	403 164 0204	CERAMIC 0.1U Z 25V	C404	403 164 0204	CERAMIC 0.1U Z 25V
C287	403 164 0204	CERAMIC 0.1U Z 25V	C405	403 113 3805	CERAMIC 1000P K 50V
C296	403 175 0606	ELECT 100U M 6.3V	C406	403 164 0204	CERAMIC 0.1U Z 25V
C297	403 164 0204	CERAMIC 0.1U Z 25V	C409	403 164 0204	CERAMIC 0.1U Z 25V
C311	403 280 0508	ELECT 470U M 4V	C410	403 348 5803	CERAMIC 0.47U K 10V
C312	403 164 0204	CERAMIC 0.1U Z 25V	C411	403 164 0204	CERAMIC 0.1U Z 25V
C313	403 280 0508	ELECT 470U M 4V	C412	403 164 0204	CERAMIC 0.1U Z 25V
C314	403 164 0204	CERAMIC 0.1U Z 25V	C413	403 164 0204	CERAMIC 0.1U Z 25V
C315	403 164 0204	CERAMIC 0.1U Z 25V	C415	403 113 3805	CERAMIC 1000P K 50V
C316	403 164 0204	CERAMIC 0.1U Z 25V	C416	403 164 0204	CERAMIC 0.1U Z 25V
C3201	403 280 0508	ELECT 470U M 4V	C419	403 113 3805	CERAMIC 1000P K 50V
C3202	403 164 0204	CERAMIC 0.1U Z 25V	C420	403 164 0204	CERAMIC 0.1U Z 25V
C3203	403 164 0204	CERAMIC 0.1U Z 25V	C4201	403 280 0508	ELECT 470U M 4V
C3204	403 113 3805	CERAMIC 1000P K 50V	C4202	403 164 0204	CERAMIC 0.1U Z 25V
C3205	403 164 0204	CERAMIC 0.1U Z 25V	C4204	403 164 0204	CERAMIC 0.1U Z 25V
C3206	403 164 0204	CERAMIC 0.1U Z 25V	C4205	403 164 0204	CERAMIC 0.1U Z 25V
C3207	403 113 3805	CERAMIC 1000P K 50V	C4206	403 164 0204	CERAMIC 0.1U Z 25V
C3208	403 164 0204	CERAMIC 0.1U Z 25V	C4208	403 164 0204	CERAMIC 0.1U Z 25V
C3209	403 164 0204	CERAMIC 0.1U Z 25V	C4209	403 164 0204	CERAMIC 0.1U Z 25V
C3211	403 113 3805	CERAMIC 1000P K 50V	C421	403 164 0204	CERAMIC 0.1U Z 25V
C3212	403 164 0204	CERAMIC 0.1U Z 25V	C4212	403 164 0204	CERAMIC 0.1U Z 25V
C3213	403 164 0204	CERAMIC 0.1U Z 25V	C4213	403 164 0204	CERAMIC 0.1U Z 25V
C3231	403 280 0508	ELECT 470U M 4V	C4214	403 164 0204	CERAMIC 0.1U Z 25V
C3232	403 164 0204	CERAMIC 0.1U Z 25V	C4215	403 164 0204	CERAMIC 0.1U Z 25V
C3233	403 280 0508	ELECT 470U M 4V	C4232	403 164 0204	CERAMIC 0.1U Z 25V
C3234	403 164 0204	CERAMIC 0.1U Z 25V	C4233	403 162 4709	ELECT 10U M 16V
C3235	403 164 0204	CERAMIC 0.1U Z 25V	C4234	403 164 0204	CERAMIC 0.1U Z 25V
C3236	403 164 0204	CERAMIC 0.1U Z 25V	C4235	403 162 4709	ELECT 10U M 16V

Electrical Parts List

Ref. No.	Part No.	Description	Ref. No.	Part No.	Description
C4236	403 164 0204	CERAMIC 0.1U Z 25V	C6307	403 164 0204	CERAMIC 0.1U Z 25V
C4237	403 155 1609	CERAMIC 33P J 50V	C6308	403 164 0204	CERAMIC 0.1U Z 25V
C4238	403 157 7302	CERAMIC 6800P K 50V	C6309	403 164 0204	CERAMIC 0.1U Z 25V
C4239	403 164 0204	CERAMIC 0.1U Z 25V	C6311	403 113 3805	CERAMIC 1000P K 50V
C4241	403 113 3805	CERAMIC 1000P K 50V	C6314	403 164 0204	CERAMIC 0.1U Z 25V
C4242	403 164 0204	CERAMIC 0.1U Z 25V	C6321	403 164 0204	CERAMIC 0.1U Z 25V
C4243	403 149 9208	CERAMIC 0.01U Z 50V	C6323	403 164 0204	CERAMIC 0.1U Z 25V
C4244	403 162 4709	ELECT 10U M 16V	C6324	403 113 3805	CERAMIC 1000P K 50V
C426	403 113 3805	CERAMIC 1000P K 50V	C6325	403 164 0204	CERAMIC 0.1U Z 25V
C4263	403 280 0508	ELECT 470U M 4V	C6328	403 164 0204	CERAMIC 0.1U Z 25V
C4264	403 164 0204	CERAMIC 0.1U Z 25V	C6329	403 164 0204	CERAMIC 0.1U Z 25V
C427	403 113 3805	CERAMIC 1000P K 50V	C6331	403 164 0204	CERAMIC 0.1U Z 25V
C428	403 113 3805	CERAMIC 1000P K 50V	C6332	403 113 3805	CERAMIC 1000P K 50V
C434	403 113 3805	CERAMIC 1000P K 50V	C6335	403 164 0204	CERAMIC 0.1U Z 25V
C440	403 348 5803	CERAMIC 0.47U K 10V	C6341	403 164 0204	CERAMIC 0.1U Z 25V
C445	403 164 0204	CERAMIC 0.1U Z 25V	C6343	403 164 0204	CERAMIC 0.1U Z 25V
C446	403 164 0204	CERAMIC 0.1U Z 25V	C6344	403 113 3805	CERAMIC 1000P K 50V
C447	403 164 0204	CERAMIC 0.1U Z 25V	C6345	403 164 0204	CERAMIC 0.1U Z 25V
C449	403 113 3805	CERAMIC 1000P K 50V	C6348	403 164 0204	CERAMIC 0.1U Z 25V
C454	403 164 0204	CERAMIC 0.1U Z 25V	C6349	403 164 0204	CERAMIC 0.1U Z 25V
C456	403 164 0204	CERAMIC 0.1U Z 25V	C6351	403 164 0204	CERAMIC 0.1U Z 25V
C457	403 113 3805	CERAMIC 1000P K 50V	C6352	403 113 3805	CERAMIC 1000P K 50V
C458	403 164 0204	CERAMIC 0.1U Z 25V	C6355	403 164 0204	CERAMIC 0.1U Z 25V
C461	403 164 0204	CERAMIC 0.1U Z 25V	C801	403 164 0204	CERAMIC 0.1U Z 25V
C463	403 164 0204	CERAMIC 0.1U Z 25V	C802	403 164 0204	CERAMIC 0.1U Z 25V
C464	403 113 3805	CERAMIC 1000P K 50V	C803	403 155 1609	CERAMIC 33P J 50V
C465	403 164 0204	CERAMIC 0.1U Z 25V	C804	403 155 1609	CERAMIC 33P J 50V
C467	403 113 3805	CERAMIC 1000P K 50V	C806	403 175 4505	ELECT 47U M 6.3V
C468	403 164 0204	CERAMIC 0.1U Z 25V	C807	403 164 0204	CERAMIC 0.1U Z 25V
C471	403 113 3805	CERAMIC 1000P K 50V	C808	403 215 1006	CERAMIC 470P J 50V
C474	403 164 0204	CERAMIC 0.1U Z 25V	C809	403 162 4709	ELECT 10U M 16V
C477	403 164 0204	CERAMIC 0.1U Z 25V	C811	403 283 6309	CERAMIC 1U Z 10V
C481	403 164 0204	CERAMIC 0.1U Z 25V		403 336 5600	CERAMIC 1U Z 10V
C4811	403 164 0204	CERAMIC 0.1U Z 25V	C812	403 164 0204	CERAMIC 0.1U Z 25V
C4821	403 164 0204	CERAMIC 0.1U Z 25V	C813	403 164 0204	CERAMIC 0.1U Z 25V
C4831	403 164 0204	CERAMIC 0.1U Z 25V	C814	403 280 0805	ELECT 330U M 6.3V
C4851	403 164 0204	CERAMIC 0.1U Z 25V	C815	403 164 0204	CERAMIC 0.1U Z 25V
C4855	403 164 0204	CERAMIC 0.1U Z 25V	C816	403 164 0204	CERAMIC 0.1U Z 25V
C4861	403 164 0204	CERAMIC 0.1U Z 25V	C8201	403 164 0204	CERAMIC 0.1U Z 25V
C4862	403 280 0805	ELECT 330U M 6.3V	C8202	403 164 0204	CERAMIC 0.1U Z 25V
C4871	403 164 0204	CERAMIC 0.1U Z 25V	C8203	403 164 0204	CERAMIC 0.1U Z 25V
C4881	403 164 0204	CERAMIC 0.1U Z 25V	C8204	403 164 0204	CERAMIC 0.1U Z 25V
C4891	403 341 7507	ELECT 100U M 25V	C8218	403 175 0606	ELECT 100U M 6.3V
C501	403 280 1604	ELECT 220U M 16V	C8219	403 164 0204	CERAMIC 0.1U Z 25V
C502	403 164 0204	CERAMIC 0.1U Z 25V	C8221	403 164 0204	CERAMIC 0.1U Z 25V
C504	403 280 0805	ELECT 330U M 6.3V	C8222	403 164 0204	CERAMIC 0.1U Z 25V
C505	403 164 0204	CERAMIC 0.1U Z 25V	C8223	403 164 0204	CERAMIC 0.1U Z 25V
C506	403 164 0204	CERAMIC 0.1U Z 25V	C8231	403 164 0204	CERAMIC 0.1U Z 25V
C507	403 164 0204	CERAMIC 0.1U Z 25V	C8232	403 157 7203	CERAMIC 3900P K 50V
C508	403 323 1301	CERAMIC 0.47U Z 10V	C8233	403 306 5401	CERAMIC 0.039U K 16V
C509	403 323 1301	CERAMIC 0.47U Z 10V	C8235	403 164 0204	CERAMIC 0.1U Z 25V
C510	403 323 1301	CERAMIC 0.47U Z 10V	C8237	403 164 0204	CERAMIC 0.1U Z 25V
C511	403 341 7507	ELECT 100U M 25V	C8250	401 105 7909	MT-GLAZE 0.000 ZA 1/16W
C512	403 164 0204	CERAMIC 0.1U Z 25V	C8251	403 164 0204	CERAMIC 0.1U Z 25V
C531	403 280 1604	ELECT 220U M 16V	C8253	403 164 0204	CERAMIC 0.1U Z 25V
C532	403 164 0204	CERAMIC 0.1U Z 25V	C8255	403 164 0204	CERAMIC 0.1U Z 25V
C534	403 280 0805	ELECT 330U M 6.3V	C8257	401 105 7909	MT-GLAZE 0.000 ZA 1/16W
C535	403 164 0204	CERAMIC 0.1U Z 25V	C8258	403 215 2904	CERAMIC 0.022U K 25V
C536	403 164 0204	CERAMIC 0.1U Z 25V	C8259	401 105 7909	MT-GLAZE 0.000 ZA 1/16W
C537	403 164 0204	CERAMIC 0.1U Z 25V	C8271	403 164 0204	CERAMIC 0.1U Z 25V
C538	403 323 1301	CERAMIC 0.47U Z 10V	C8272	403 164 0204	CERAMIC 0.1U Z 25V
C539	403 323 1301	CERAMIC 0.47U Z 10V	C8273	403 162 6208	ELECT 1U M 50V
C540	403 323 1301	CERAMIC 0.47U Z 10V	C8274	403 164 0204	CERAMIC 0.1U Z 25V
C541	403 341 7507	ELECT 100U M 25V	C8275	403 164 0204	CERAMIC 0.1U Z 25V
C542	403 164 0204	CERAMIC 0.1U Z 25V	C8281	403 283 6309	CERAMIC 1U Z 10V
C561	403 280 1604	ELECT 220U M 16V		403 336 5600	CERAMIC 1U Z 10V
C562	403 164 0204	CERAMIC 0.1U Z 25V	C8282	403 283 6309	CERAMIC 1U Z 10V
C5631	403 341 7507	ELECT 100U M 25V		403 336 5600	CERAMIC 1U Z 10V
C564	403 280 0805	ELECT 330U M 6.3V	C8283	403 322 7809	ELECT 220U M 6.3V
C565	403 164 0204	CERAMIC 0.1U Z 25V	C8284	403 113 3805	CERAMIC 1000P K 50V
C566	403 164 0204	CERAMIC 0.1U Z 25V	C8291	403 280 0805	ELECT 330U M 6.3V
C567	403 164 0204	CERAMIC 0.1U Z 25V	C8292	403 164 0204	CERAMIC 0.1U Z 25V
C568	403 323 1301	CERAMIC 0.47U Z 10V	C8296	403 175 0606	ELECT 100U M 6.3V
C569	403 323 1301	CERAMIC 0.47U Z 10V	C8297	403 164 0204	CERAMIC 0.1U Z 25V
C570	403 323 1301	CERAMIC 0.47U Z 10V	C871	403 280 0508	ELECT 470U M 4V
C571	403 341 7507	ELECT 100U M 25V	C872	403 164 0204	CERAMIC 0.1U Z 25V
C572	403 164 0204	CERAMIC 0.1U Z 25V	C873	403 164 0204	CERAMIC 0.1U Z 25V
C5811	403 164 0204	CERAMIC 0.1U Z 25V	C874	403 164 0204	CERAMIC 0.1U Z 25V
C5812	403 164 0204	CERAMIC 0.1U Z 25V	C875	403 164 0204	CERAMIC 0.1U Z 25V
C5813	403 164 0204	CERAMIC 0.1U Z 25V	C876	403 164 0204	CERAMIC 0.1U Z 25V
C5835	403 299 1602	CERAMIC 1U K 16V	C877	403 164 0204	CERAMIC 0.1U Z 25V
C5836	403 341 7507	ELECT 100U M 25V	C878	403 164 0204	CERAMIC 0.1U Z 25V
C5837	403 341 7507	ELECT 100U M 25V	C879	403 164 0204	CERAMIC 0.1U Z 25V
C5853	403 164 0204	CERAMIC 0.1U Z 25V	C886	403 164 0204	CERAMIC 0.1U Z 25V
C5864	403 164 0204	CERAMIC 0.1U Z 25V	C887	403 283 6309	CERAMIC 1U Z 10V
C5865	403 341 7507	ELECT 100U M 25V		403 336 5600	CERAMIC 1U Z 10V
C5866	403 341 7507	ELECT 100U M 25V	C888	403 157 6602	CERAMIC 470P K 50V
C5867	403 164 0204	CERAMIC 0.1U Z 25V	C892	403 164 0204	CERAMIC 0.1U Z 25V
C5868	403 341 7507	ELECT 100U M 25V	C893	403 164 0204	CERAMIC 0.1U Z 25V
C5875	403 164 0204	CERAMIC 0.1U Z 25V	C894	403 280 0805	ELECT 330U M 6.3V
C5876	403 164 0204	CERAMIC 0.1U Z 25V	C9801	403 280 0508	ELECT 470U M 4V
C6301	403 164 0204	CERAMIC 0.1U Z 25V	C9802	403 164 0204	CERAMIC 0.1U Z 25V
C6302	403 280 0508	ELECT 470U M 4V	C9804	403 113 3805	CERAMIC 1000P K 50V
C6303	403 164 0204	CERAMIC 0.1U Z 25V	C9805	403 153 9102	CERAMIC 5P C 50V
C6304	403 113 3805	CERAMIC 1000P K 50V	C9806	403 298 9609	CERAMIC 0.1U K 16V

Electrical Parts List

Ref. No.	Part No.	Description	Ref. No.	Part No.	Description
C9807	403 164 0204	CERAMIC 0.1U Z 25V	R1332	401 105 7909	MT-GLAZE 0.000 ZA 1/16W
C9809	403 164 0204	CERAMIC 0.1U Z 25V	R1334	401 105 0603	MT-GLAZE 10K JA 1/16W
C9811	403 280 0805	ELECT 330U M 6.3V	R1337	401 105 7909	MT-GLAZE 0.000 ZA 1/16W
C9812	403 164 0204	CERAMIC 0.1U Z 25V	R1342	401 105 7909	MT-GLAZE 0.000 ZA 1/16W
RESISTOR			R1343	401 105 7909	MT-GLAZE 0.000 ZA 1/16W
RB2511	645 037 3107	R-NETWORK 10X4 0.063W	R1345	401 105 7909	MT-GLAZE 0.000 ZA 1/16W
	645 028 5981	R-NETWORK 10X4 1/16W	R1350	401 105 7909	MT-GLAZE 0.000 ZA 1/16W
RB2512	645 037 3107	R-NETWORK 10X4 0.063W	R1352	401 105 0603	MT-GLAZE 10K JA 1/16W
	645 028 5981	R-NETWORK 10X4 1/16W	R1355	401 105 0603	MT-GLAZE 10K JA 1/16W
RB2513	645 037 3107	R-NETWORK 10X4 0.063W	R1356	401 105 7909	MT-GLAZE 0.000 ZA 1/16W
	645 028 5981	R-NETWORK 10X4 1/16W	R1358	401 105 0603	MT-GLAZE 10K JA 1/16W
RB2514	645 037 3107	R-NETWORK 10X4 0.063W	R1366	401 105 7909	MT-GLAZE 0.000 ZA 1/16W
	645 028 5981	R-NETWORK 10X4 1/16W	R1369	401 276 4707	MT-GLAZE 0.000 ZA 1/3W
RB2515	645 037 3107	R-NETWORK 10X4 0.063W	R1371	401 105 0405	MT-GLAZE 100 JA 1/16W
	645 028 5981	R-NETWORK 10X4 1/16W	R1372	401 105 0405	MT-GLAZE 100 JA 1/16W
RB2516	645 037 3107	R-NETWORK 10X4 0.063W	R1373	401 105 7909	MT-GLAZE 0.000 ZA 1/16W
	645 028 5981	R-NETWORK 10X4 1/16W	R1376	401 105 7909	MT-GLAZE 0.000 ZA 1/16W
RB2518	645 024 7477	R-NETWORK 0X4 1/16W	R1379	401 105 0603	MT-GLAZE 10K JA 1/16W
RB2521	645 037 3107	R-NETWORK 10X4 0.063W	R1381	401 105 0603	MT-GLAZE 10K JA 1/16W
	645 028 5981	R-NETWORK 10X4 1/16W	R1383	401 105 0603	MT-GLAZE 10K JA 1/16W
RB2522	645 037 3107	R-NETWORK 10X4 0.063W	R1384	401 105 0603	MT-GLAZE 10K JA 1/16W
	645 028 5981	R-NETWORK 10X4 1/16W	R1385	401 105 7909	MT-GLAZE 0.000 ZA 1/16W
RB2523	645 037 3107	R-NETWORK 10X4 0.063W	R1503	401 105 7909	MT-GLAZE 0.000 ZA 1/16W
	645 028 5981	R-NETWORK 10X4 1/16W	R1516	401 105 7909	MT-GLAZE 0.000 ZA 1/16W
RB2524	645 037 3107	R-NETWORK 10X4 0.063W	R1517	401 105 7909	MT-GLAZE 0.000 ZA 1/16W
	645 028 5981	R-NETWORK 10X4 1/16W	R1520	401 105 7909	MT-GLAZE 0.000 ZA 1/16W
RB2525	645 037 3107	R-NETWORK 10X4 0.063W	R1533	401 105 7909	MT-GLAZE 0.000 ZA 1/16W
	645 028 5981	R-NETWORK 10X4 1/16W	R1546	401 105 7909	MT-GLAZE 0.000 ZA 1/16W
RB2526	645 037 3107	R-NETWORK 10X4 0.063W	R1547	401 105 7909	MT-GLAZE 0.000 ZA 1/16W
	645 028 5981	R-NETWORK 10X4 1/16W	R1550	401 105 7909	MT-GLAZE 0.000 ZA 1/16W
RB2531	645 037 3107	R-NETWORK 10X4 0.063W	R1563	401 105 7909	MT-GLAZE 0.000 ZA 1/16W
	645 028 5981	R-NETWORK 10X4 1/16W	R1576	401 105 7909	MT-GLAZE 0.000 ZA 1/16W
RB2532	645 037 3107	R-NETWORK 10X4 0.063W	R1577	401 105 7909	MT-GLAZE 0.000 ZA 1/16W
	645 028 5981	R-NETWORK 10X4 1/16W	R1580	401 105 7909	MT-GLAZE 0.000 ZA 1/16W
RB2533	645 037 3107	R-NETWORK 10X4 0.063W	R1801	401 105 2003	MT-GLAZE 1.8K JA 1/16W
	645 028 5981	R-NETWORK 10X4 1/16W	R1802	401 105 4106	MT-GLAZE 3.3K JA 1/16W
RB2534	645 037 3107	R-NETWORK 10X4 0.063W	R1811	401 105 0405	MT-GLAZE 100 JA 1/16W
	645 028 5981	R-NETWORK 10X4 1/16W	R1812	401 105 0405	MT-GLAZE 100 JA 1/16W
RB2535	645 037 3107	R-NETWORK 10X4 0.063W	R1813	401 105 5301	MT-GLAZE 4.7K JA 1/16W
	645 028 5981	R-NETWORK 10X4 1/16W	R1814	401 105 5301	MT-GLAZE 4.7K JA 1/16W
RB2536	645 037 3107	R-NETWORK 10X4 0.063W	R1815	401 105 0405	MT-GLAZE 100 JA 1/16W
	645 028 5981	R-NETWORK 10X4 1/16W	R1816	401 105 0405	MT-GLAZE 100 JA 1/16W
RB301	645 020 7822	R-NETWORK 10KX4 0.063W	R1820	401 105 0603	MT-GLAZE 10K JA 1/16W
	645 025 5380	R-NETWORK 10KX4 1/16W	R1821	401 105 7909	MT-GLAZE 0.000 ZA 1/16W
RB331	645 031 3363	R-NETWORK 680X4 1/16W	R1822	401 105 0504	MT-GLAZE 1K JA 1/16W
RB332	645 031 3363	R-NETWORK 680X4 1/16W	R1823	401 105 2003	MT-GLAZE 1.8K JA 1/16W
RB333	645 031 3363	R-NETWORK 680X4 1/16W	R1824	401 105 4106	MT-GLAZE 3.3K JA 1/16W
RB334	645 031 3363	R-NETWORK 680X4 1/16W	R1825	401 105 2003	MT-GLAZE 1.8K JA 1/16W
RB335	645 031 3363	R-NETWORK 680X4 1/16W	R1826	401 105 2003	MT-GLAZE 1.8K JA 1/16W
RB336	645 031 3363	R-NETWORK 680X4 1/16W	R1829	401 105 0603	MT-GLAZE 10K JA 1/16W
RB337	645 031 3363	R-NETWORK 680X4 1/16W	R1831	401 105 0504	MT-GLAZE 1K JA 1/16W
RB338	645 031 3363	R-NETWORK 680X4 1/16W	R1833	401 105 0603	MT-GLAZE 10K JA 1/16W
RB339	645 031 3363	R-NETWORK 680X4 1/16W	R1834	401 105 0504	MT-GLAZE 1K JA 1/16W
RB341	645 031 3363	R-NETWORK 680X4 1/16W	R1836	401 105 0603	MT-GLAZE 10K JA 1/16W
RB342	645 031 3363	R-NETWORK 680X4 1/16W	R1841	401 105 0504	MT-GLAZE 1K JA 1/16W
RB343	645 031 3363	R-NETWORK 680X4 1/16W	R1843	401 105 0603	MT-GLAZE 10K JA 1/16W
RB4881	645 037 3107	R-NETWORK 10X4 0.063W	R1844	401 105 0504	MT-GLAZE 1K JA 1/16W
	645 028 5981	R-NETWORK 10X4 1/16W	R1846	401 105 0603	MT-GLAZE 10K JA 1/16W
RB4882	645 037 3107	R-NETWORK 10X4 0.063W	R1850	401 105 2003	MT-GLAZE 1.8K JA 1/16W
	645 028 5981	R-NETWORK 10X4 1/16W	R1851	401 105 4502	MT-GLAZE 390 JA 1/16W
RB4883	645 021 0358	R-NETWORK 100X4 0.063W	R1852	401 105 0405	MT-GLAZE 100 JA 1/16W
	645 031 3325	R-NETWORK 100X4 1/16W	R1853	401 105 0405	MT-GLAZE 100 JA 1/16W
RB4885	645 021 0358	R-NETWORK 100X4 0.063W	R1854	401 105 0702	MT-GLAZE 100K JA 1/16W
	645 031 3325	R-NETWORK 100X4 1/16W	R1855	401 105 4502	MT-GLAZE 390 JA 1/16W
RB5811	645 020 7822	R-NETWORK 10KX4 0.063W	R1856	401 105 2003	MT-GLAZE 1.8K JA 1/16W
	645 025 5380	R-NETWORK 10KX4 1/16W	R1857	401 105 1501	MT-GLAZE 1.5K JA 1/16W
RB5851	645 037 3107	R-NETWORK 10X4 0.063W	R1858	401 105 5301	MT-GLAZE 4.7K JA 1/16W
	645 028 5981	R-NETWORK 10X4 1/16W	R1859	401 105 5301	MT-GLAZE 4.7K JA 1/16W
RB5852	645 037 3107	R-NETWORK 10X4 0.063W	R1860	401 105 0603	MT-GLAZE 10K JA 1/16W
	645 028 5981	R-NETWORK 10X4 1/16W	R1861	401 105 0603	MT-GLAZE 10K JA 1/16W
RB804	645 037 4920	R-NETWORK 3.3KX4 0.063W	R1862	401 105 0603	MT-GLAZE 10K JA 1/16W
	645 031 4070	R-NETWORK 3.3KX4 1/16W	R1863	401 105 0603	MT-GLAZE 10K JA 1/16W
RB805	645 037 4920	R-NETWORK 3.3KX4 0.063W	R1864	401 105 0603	MT-GLAZE 10K JA 1/16W
	645 031 4070	R-NETWORK 3.3KX4 1/16W	R1865	401 105 0603	MT-GLAZE 10K JA 1/16W
RB806	645 037 4920	R-NETWORK 3.3KX4 0.063W	R1866	401 105 0603	MT-GLAZE 10K JA 1/16W
	645 031 4070	R-NETWORK 3.3KX4 1/16W	R1867	401 105 0603	MT-GLAZE 10K JA 1/16W
RB807	645 037 4920	R-NETWORK 3.3KX4 0.063W	R1868	401 105 0603	MT-GLAZE 10K JA 1/16W
	645 031 4070	R-NETWORK 3.3KX4 1/16W	R1869	401 105 0603	MT-GLAZE 10K JA 1/16W
RB9801	645 021 0365	R-NETWORK 100KX4 0.063W	R1871	401 105 6605	MT-GLAZE 6.8K JA 1/16W
	645 025 5397	R-NETWORK 100KX4 1/16W	R1872	401 105 0504	MT-GLAZE 1K JA 1/16W
RB9802	645 021 0365	R-NETWORK 100KX4 0.063W	R1873	401 105 0504	MT-GLAZE 1K JA 1/16W
	645 025 5397	R-NETWORK 100KX4 1/16W	R1874	401 105 6605	MT-GLAZE 6.8K JA 1/16W
R1302	401 105 7909	MT-GLAZE 0.000 ZA 1/16W	R1876	401 105 7909	MT-GLAZE 0.000 ZA 1/16W
R1303	401 105 0405	MT-GLAZE 100 JA 1/16W	R1877	401 105 7909	MT-GLAZE 0.000 ZA 1/16W
R1304	401 105 7909	MT-GLAZE 0.000 ZA 1/16W	R1878	401 105 7909	MT-GLAZE 0.000 ZA 1/16W
R1305	401 105 0405	MT-GLAZE 100 JA 1/16W	R1881	401 105 0702	MT-GLAZE 100K JA 1/16W
R1306	401 105 0405	MT-GLAZE 100 JA 1/16W	R1883	401 105 0405	MT-GLAZE 100 JA 1/16W
R1307	401 105 0405	MT-GLAZE 100 JA 1/16W	R1884	401 105 0603	MT-GLAZE 10K JA 1/16W
R1311	401 105 2003	MT-GLAZE 1.8K JA 1/16W	R1885	401 105 0603	MT-GLAZE 10K JA 1/16W
R1312	401 105 0306	MT-GLAZE 10 JA 1/16W	R1888	401 105 4106	MT-GLAZE 3.3K JA 1/16W
R1313	401 105 2003	MT-GLAZE 1.8K JA 1/16W	R1889	401 105 0306	MT-GLAZE 10 JA 1/16W
R1314	401 105 0306	MT-GLAZE 10 JA 1/16W	R1898	401 105 0603	MT-GLAZE 10K JA 1/16W
R1321	401 105 7909	MT-GLAZE 0.000 ZA 1/16W	R201	401 105 7909	MT-GLAZE 0.000 ZA 1/16W
R1322	401 105 7909	MT-GLAZE 0.000 ZA 1/16W	R202	401 113 4402	MT-GLAZE 75 JA 1/16W
R1323	401 105 7909	MT-GLAZE 0.000 ZA 1/16W	R204	401 105 3901	MT-GLAZE 33 JA 1/16W

Electrical Parts List

Ref. No.	Part No.	Description	Ref. No.	Part No.	Description
R809	401 105 0405	MT-GLAZE 100 JA 1/16W	R9801	401 105 1501	MT-GLAZE 1.5K JA 1/16W
R810	401 105 7909	MT-GLAZE 0.000 ZA 1/16W	R9803	401 105 8005	MT-GLAZE 1M JA 1/16W
R812	401 105 0603	MT-GLAZE 10K JA 1/16W	R9804	401 105 0405	MT-GLAZE 100 JA 1/16W
R815	401 105 7909	MT-GLAZE 0.000 ZA 1/16W	R9805	401 105 0405	MT-GLAZE 100 JA 1/16W
R816	401 105 0603	MT-GLAZE 10K JA 1/16W	R9806	401 105 0405	MT-GLAZE 100 JA 1/16W
R817	401 105 7909	MT-GLAZE 0.000 ZA 1/16W	R9807	401 105 0405	MT-GLAZE 100 JA 1/16W
R818	401 105 0603	MT-GLAZE 10K JA 1/16W	R9809	401 105 7909	MT-GLAZE 0.000 ZA 1/16W
R820	401 105 7909	MT-GLAZE 0.000 ZA 1/16W	R9813	401 105 0702	MT-GLAZE 100K JA 1/16W
R821	401 105 5301	MT-GLAZE 4.7K JA 1/16W	COIL		
R8218	401 037 5004	MT-GLAZE 0.000 ZA 1/10W	L2311	645 030 1292	INDUCTOR, 390U J
R822	401 105 7909	MT-GLAZE 0.000 ZA 1/16W	L2341	645 040 7796	FILTER, LP 30MHZ
R8222	401 105 7909	MT-GLAZE 0.000 ZA 1/16W	L2342	645 040 7796	FILTER, LP 30MHZ
R823	401 105 5301	MT-GLAZE 4.7K JA 1/16W	L2343	645 040 7796	FILTER, LP 30MHZ
R8231	401 105 4106	MT-GLAZE 3.3K JA 1/16W	L2402	645 020 1776	INDUCTOR, 3.3U M
R8232	401 037 5004	MT-GLAZE 0.000 ZA 1/10W	L2501	645 026 1008	INDUCTOR, 3.3U M
R8234	401 105 7909	MT-GLAZE 0.000 ZA 1/16W	L2506	645 026 1008	INDUCTOR, 3.3U M
R8235	401 105 7909	MT-GLAZE 0.000 ZA 1/16W	L3201	645 020 1776	INDUCTOR, 3.3U M
R8236	401 105 0603	MT-GLAZE 10K JA 1/16W	L3202	401 035 4108	MT-GLAZE 0.000 ZA 1/8W
R8237	401 105 7909	MT-GLAZE 0.000 ZA 1/16W	L3231	645 020 1776	INDUCTOR, 3.3U M
R824	401 105 4007	MT-GLAZE 330 JA 1/16W	L3232	645 020 1776	INDUCTOR, 3.3U M
R825	401 105 2904	MT-GLAZE 22K JA 1/16W	L3271	645 020 1776	INDUCTOR, 3.3U M
R8251	401 105 0405	MT-GLAZE 100 JA 1/16W	L3351	645 026 1008	INDUCTOR, 3.3U M
R8252	401 105 0405	MT-GLAZE 100 JA 1/16W	L3402	645 020 1776	INDUCTOR, 3.3U M
R8254	401 105 7909	MT-GLAZE 0.000 ZA 1/16W	L3521	645 026 1008	INDUCTOR, 3.3U M
R8256	401 105 7909	MT-GLAZE 0.000 ZA 1/16W	L401	645 020 1776	INDUCTOR, 3.3U M
R827	401 105 2904	MT-GLAZE 22K JA 1/16W	L402	645 020 1776	INDUCTOR, 3.3U M
R8271	401 105 7909	MT-GLAZE 0.000 ZA 1/16W	L4231	401 037 5004	MT-GLAZE 0.000 ZA 1/10W
R8272	401 105 7909	MT-GLAZE 0.000 ZA 1/16W	L501	645 020 1776	INDUCTOR, 3.3U M
R8274	401 105 0306	MT-GLAZE 10 JA 1/16W	L502	645 002 5129	INDUCTOR, 0.47U M
R8275	401 105 0306	MT-GLAZE 10 JA 1/16W	L531	645 020 1776	INDUCTOR, 3.3U M
R8280	401 105 0603	MT-GLAZE 10K JA 1/16W	L532	645 002 5129	INDUCTOR, 0.47U M
R8281	401 105 7909	MT-GLAZE 0.000 ZA 1/16W	L561	645 020 1776	INDUCTOR, 3.3U M
R8284	401 105 7909	MT-GLAZE 0.000 ZA 1/16W	L562	645 002 5129	INDUCTOR, 0.47U M
R8286	401 105 7909	MT-GLAZE 0.000 ZA 1/16W	L6301	401 035 4108	MT-GLAZE 0.000 ZA 1/8W
R8287	401 105 7909	MT-GLAZE 0.000 ZA 1/16W	L8281	645 026 1008	INDUCTOR, 3.3U M
R8288	401 105 0603	MT-GLAZE 10K JA 1/16W	L9801	645 021 1645	INDUCTOR, 2.2U J
R8289	401 105 0603	MT-GLAZE 10K JA 1/16W	DIODE		
R829	401 105 0900	MT-GLAZE 120 JA 1/16W	D1301	407 223 1102	ZENER DIODE 02DZ6.2Y (TPH3)
R8291	401 105 0405	MT-GLAZE 100 JA 1/16W	D1851	407 223 1003	ZENER DIODE 02DZ5.1Y (TPH3)
R8292	401 105 0405	MT-GLAZE 100 JA 1/16W	D1852	407 092 9506	DIODE SB07-03C-TB
R8296	401 037 5004	MT-GLAZE 0.000 ZA 1/10W	D2502	407 149 0807	DIODE 1SS355-TE-17
R831	401 105 5202	MT-GLAZE 470 JA 1/16W	D2503	407 149 0807	DIODE 1SS355-TE-17
R832	401 105 0702	MT-GLAZE 100K JA 1/16W	D4871	407 223 1102	ZENER DIODE 02DZ6.2Y (TPH3)
R833	401 105 0405	MT-GLAZE 100 JA 1/16W	D4872	407 223 1102	ZENER DIODE 02DZ6.2Y (TPH3)
R834	401 105 5301	MT-GLAZE 4.7K JA 1/16W	D4873	407 223 1102	ZENER DIODE 02DZ6.2Y (TPH3)
R835	401 105 0405	MT-GLAZE 100 JA 1/16W	D4874	407 223 1102	ZENER DIODE 02DZ6.2Y (TPH3)
R836	401 105 0405	MT-GLAZE 100 JA 1/16W	D5631	407 149 0807	DIODE 1SS355-TE-17
R837	401 105 0405	MT-GLAZE 100 JA 1/16W	D5801	407 223 1102	ZENER DIODE 02DZ6.2Y (TPH3)
R838	401 105 0405	MT-GLAZE 100 JA 1/16W	D5811	407 223 1102	ZENER DIODE 02DZ6.2Y (TPH3)
R839	401 105 5301	MT-GLAZE 4.7K JA 1/16W	D5812	407 223 1102	ZENER DIODE 02DZ6.2Y (TPH3)
R840	401 105 0603	MT-GLAZE 10K JA 1/16W	D5813	407 223 1102	ZENER DIODE 02DZ6.2Y (TPH3)
R841	401 105 5301	MT-GLAZE 4.7K JA 1/16W	D5814	407 223 1102	ZENER DIODE 02DZ6.2Y (TPH3)
R842	401 105 5301	MT-GLAZE 4.7K JA 1/16W	D5815	407 223 1102	ZENER DIODE 02DZ6.2Y (TPH3)
R843	401 105 5301	MT-GLAZE 4.7K JA 1/16W	D5816	407 223 1102	ZENER DIODE 02DZ6.2Y (TPH3)
R844	401 105 0504	MT-GLAZE 1K JA 1/16W	D5817	407 223 1102	ZENER DIODE 02DZ6.2Y (TPH3)
R845	401 105 0504	MT-GLAZE 1K JA 1/16W	D5818	407 223 1102	ZENER DIODE 02DZ6.2Y (TPH3)
R846	401 105 0504	MT-GLAZE 1K JA 1/16W	D5831	407 223 5001	DIODE D1FM3
R847		See page-97	D5832	407 223 5001	DIODE D1FM3
R848	401 105 0603	MT-GLAZE 10K JA 1/16W	D5833	407 223 5001	DIODE D1FM3
R849	401 105 0405	MT-GLAZE 100 JA 1/16W	D5862	407 223 1102	ZENER DIODE 02DZ6.2Y (TPH3)
R850	401 105 0603	MT-GLAZE 10K JA 1/16W	D5863	407 223 1102	ZENER DIODE 02DZ6.2Y (TPH3)
R851	401 105 0603	MT-GLAZE 10K JA 1/16W	D5867	407 223 1102	ZENER DIODE 02DZ6.2Y (TPH3)
R852	401 105 0603	MT-GLAZE 10K JA 1/16W	D5868	407 223 1102	ZENER DIODE 02DZ6.2Y (TPH3)
R853	401 105 2904	MT-GLAZE 22K JA 1/16W	D5871	407 223 1102	ZENER DIODE 02DZ6.2Y (TPH3)
R854	401 105 2904	MT-GLAZE 22K JA 1/16W	D5876	407 149 0807	DIODE 1SS355-TE-17
R855	401 105 2904	MT-GLAZE 22K JA 1/16W	D5881	407 223 1102	ZENER DIODE 02DZ6.2Y (TPH3)
R856	401 105 2904	MT-GLAZE 22K JA 1/16W	D801	407 092 9506	DIODE SB07-03C-TB
R857	401 105 5301	MT-GLAZE 4.7K JA 1/16W	MISCELLANEOUS		
R858	401 105 5301	MT-GLAZE 4.7K JA 1/16W	IC886	407 221 9704	SENSOR MPXA4115A6T1
R859	401 105 0603	MT-GLAZE 10K JA 1/16W	TPBLK	645 036 4266	TERMINAL
R861	401 105 0405	MT-GLAZE 100 JA 1/16W	TPCLKCG	645 036 4266	TERMINAL
R862	401 105 5301	MT-GLAZE 4.7K JA 1/16W	TPCLKI	645 036 4266	TERMINAL
R863	401 105 5301	MT-GLAZE 4.7K JA 1/16W	TPCOAST	645 036 4266	TERMINAL
R864	401 105 0405	MT-GLAZE 100 JA 1/16W	TPDCKE	645 036 4266	TERMINAL
R865	401 105 0405	MT-GLAZE 100 JA 1/16W	TPDCLK	645 036 4266	TERMINAL
R866	401 105 2003	MT-GLAZE 1.8K JA 1/16W	TPDENB	645 036 4266	TERMINAL
R867	401 105 4106	MT-GLAZE 3.3K JA 1/16W	TPDENG	645 036 4266	TERMINAL
R868	401 105 7909	MT-GLAZE 0.000 ZA 1/16W	TPDENR	645 036 4266	TERMINAL
R869	401 211 9903	MT-GLAZE 12K FA 1/16W	TPDHS	645 036 5010	TERMINAL
R870	401 105 7909	MT-GLAZE 0.000 ZA 1/16W	TPDVS	645 036 5010	TERMINAL
R871	401 105 7909	MT-GLAZE 0.000 ZA 1/16W	TPGADCL	645 036 4266	TERMINAL
R873	401 105 0603	MT-GLAZE 10K JA 1/16W	TPGCKLO	645 036 4266	TERMINAL
R875	401 105 0603	MT-GLAZE 10K JA 1/16W	TPGFBK	645 036 5010	TERMINAL
R877	401 105 5301	MT-GLAZE 4.7K JA 1/16W	TPGHS	645 036 5010	TERMINAL
R878	401 105 0405	MT-GLAZE 100 JA 1/16W	TPGPEN	645 036 5010	TERMINAL
R879	401 105 0504	MT-GLAZE 1K JA 1/16W	TPGREF	645 036 5010	TERMINAL
R880	401 105 7909	MT-GLAZE 0.000 ZA 1/16W	TPGVS	645 036 5010	TERMINAL
R881	401 227 3001	MT-GLAZE 56K FA 1/16W	TPHCG	645 036 4266	TERMINAL
R882	401 105 7909	MT-GLAZE 0.000 ZA 1/16W	TPHSFO	645 036 4266	TERMINAL
R886	401 105 7909	MT-GLAZE 0.000 ZA 1/16W	TPHV	645 036 5010	TERMINAL
R890	401 105 0603	MT-GLAZE 10K JA 1/16W	TPMCK	645 036 4266	TERMINAL
R891	401 105 0603	MT-GLAZE 10K JA 1/16W	TPMSCL	645 036 4266	TERMINAL
R893	401 105 0603	MT-GLAZE 10K JA 1/16W	TPMSDA	645 036 4266	TERMINAL
R895	401 105 0603	MT-GLAZE 10K JA 1/16W	TPNMI	645 036 5010	TERMINAL
R896	401 105 0603	MT-GLAZE 10K JA 1/16W	TPRSTPW1	645 036 5010	TERMINAL

Electrical Parts List

Ref. No.	Part No.	Description	Ref. No.	Part No.	Description
TPRXDPW	645 036 4266	TERMINAL			
TPSINTR	645 036 4266	TERMINAL			
TPTXDPW	645 036 4266	TERMINAL			
TPV	645 036 5010	TERMINAL			
TPVCG	645 036 4266	TERMINAL			
TP1351	645 036 5010	TERMINAL			
TP1352	645 036 5010	TERMINAL			
TP1381	645 036 5010	TERMINAL			
TP201	645 036 5010	TERMINAL			
TP211	645 036 5010	TERMINAL			
TP221	645 036 5010	TERMINAL			
TP2301R	645 036 5010	TERMINAL			
TP2302G	645 036 5010	TERMINAL			
TP2303B	645 036 5010	TERMINAL			
TP2401-H	645 036 5010	TERMINAL			
TP2401-V	645 036 5010	TERMINAL			
TP2516	645 036 5010	TERMINAL			
TP2517	645 036 5010	TERMINAL			
TP2526	645 036 5010	TERMINAL			
TP2527	645 036 5010	TERMINAL			
TP2536	645 036 5010	TERMINAL			
TP2537	645 036 5010	TERMINAL			
TP2561	645 036 5010	TERMINAL			
TP2571	645 036 5010	TERMINAL			
TP303	645 036 4266	TERMINAL			
TP304	645 036 4266	TERMINAL			
TP32DE	645 036 5010	TERMINAL			
TP32H1	645 036 5010	TERMINAL			
TP32H2	645 036 5010	TERMINAL			
TP32V1	645 036 5010	TERMINAL			
TP32V2	645 036 5010	TERMINAL			
TP401	645 036 5010	TERMINAL			
TP402	645 036 5010	TERMINAL			
TP4201	645 036 4266	TERMINAL			
TP4202	645 036 4266	TERMINAL			
TP4203	645 036 4266	TERMINAL			
TP4204	645 036 4266	TERMINAL			
TP4205	645 036 4266	TERMINAL			
TP4232	645 036 5010	TERMINAL			
TP801	645 036 5010	TERMINAL			
TP820B	645 036 5010	TERMINAL			
TP820G	645 036 5010	TERMINAL			
TP820R	645 036 5010	TERMINAL			
K1301	645 029 6338	PULG, 5P			
K2B	645 009 8390	PLUG, ANT 2P			
K2G	645 009 8390	PLUG, ANT 2P			
K2R	645 009 8390	PLUG, ANT 2P			
K25D	645 050 2309	SOCKET, FPC 32P			
K25E	645 050 2309	SOCKET, FPC 32P			
K25F	645 050 2309	SOCKET, FPC 32P			
K301	645 005 6949	PLUG, SIDE-ZR-SM3 6P			
K302	645 030 5702	SOCKET, FPC 50P			
K32A	645 040 6775	SOCKET, PWB 40P			
K32B	645 040 6775	SOCKET, PWB 40P			
K8A	645 041 8136	PLUG, 40P			
K8B	645 042 6834	PLUG, 30P			
K8D	645 030 6679	PLUG, 32P			
K8E	645 041 8136	PLUG, 40P			
K8F	645 041 0079	PLUG, 13P			
K8N	645 025 7193	PLUG, 12P			
K8P	645 029 6314	PULG, 3P			
K8Q	645 029 6338	PULG, 5P			
K8R	645 043 3719	PLUG, 3P			
K8S	645 029 6314	PULG, 3P			
K8W	645 023 8659	PLUG, 5P			
K8X	645 023 8659	PLUG, 5P			
X1331	645 047 6587	OSC, CRYSTAL 26.000MHZ			
X1341	645 029 6468	OSC, CRYSTAL 27.000MHZ			
X801	645 035 2249	OSC, CRYSTAL 6.7584MHZ			
X9801	645 035 8906	OSC, CRYSTAL 48MHZ			

Electrical Parts List

Ref. No.	Part No.	Description	Ref. No.	Part No.	Description

ASSY,PWB,MAIN MC8A					
R847	610 295 0588	ASSY, PWB, MAIN MC8A			
	401 105 8203	MT-GLAZE 68K JA 1/16W			

ACCESSORIES (009MC8A)					
	645 015 3976	CABLE, FXAF			
	610 234 0969	CABLE			
	610 286 7626	COMPL, COVER LENS A-ML6A (including "****")			
**	610 284 2494	COVER LENS B-MJ6A			
**	610 284 2500	COVER LNS C-MJ6A			
**	610 285 8198	COVER LNS D-MJ6A			
**	610 285 8204	COVER LNS E-MJ6A			
**	610 285 8211	COVER LNS F-MJ6A			
**	610 285 8228	COVER LENS G-MJ6A			
	610 289 1645	COMPL, HOLDER LENS-ML6A (including "****")			
***	412 062 4009	SPECIAL SCREW			
***	411 001 9303	SCR BIN 4X10			
***	610 289 1676	HOLDER LENS A-ICPP			
AA9901	645 047 7881	ASSY, REMOCON CXJY			
A9901C	610 283 3867	RC-BATTERY LID-CXFJ			
	610 295 0113	OWNER'S MANUAL-MC8A			
	610 295 0120	OWNER'S MANUAL-MC8A-D			
	610 295 0137	OWNER'S MANUAL-MC8A-F			
	610 295 0144	OWNER'S MANUAL-MC8A-I			
	610 295 0151	OWNER'S MANUAL-MC8A-E			
	610 295 8669	LENS INST MANUAL-MJ6A			
	645 031 8207	ADAPTOR, MAC/IBM			
	645 043 9704	ADAPTOR, DVI/VGA			
	610 289 2598	COVER, DUST-ML6A			
▲	645 002 9196	CORD, POWER-3.0MK, EU			
▲	645 003 1137	CORD, POWER-3.0MK, UK			
▲	645 040 7871	CORD, POWER-3.0MK, USA			
	645 030 6624	CABLE, INTERFACE VGA			
	645 039 7196	CABLE, MOUSE MAC			
	645 039 7202	CABLE, MOUSE PS/2			
	645 039 7219	CABLE, MOUSE SRAL			
	645 043 3702	CABLE, DVI-D			

SANYO -					

