

# **Prestigio Multipad PMP3570C**

## **TECHNICAL SERVICE MANUAL**

# PMP3570C Specification

ID



|            |                          |  |
|------------|--------------------------|--|
| Software   | Operating System         | Android 4.0  |
|            | OS Version               | Details inside QA shipment record file                                     |
|            | System Setting           | Android 4.0  |
| Hardware   | CPU                      | 1.0GHZ   |
|            | FLASH                    | 8G MLC biwin   |
|            | RAM                      | 512M DDR3 HY   |
|            | LCD                      | 7" TFT LCD 800 * 480   |
|            | Speaker                  | 8ohm/1W  |
|            | External Memory / Format | Micro SD Card Slot, Support up to 32GB flash                               |
|            | Operation Mode           | Capacitive G+G   |
|            | USB                      | USB2.0,  |
|            | Headphone                | 3.5MM MINI Interface   |
| Function   | Video Support            | MPEG4 WMV, AVI, ASF, WMV9  |
|            | Audio Support            | MP3, WAV   |
|            | Photo View               | JPG, GIF, BMP, PNG   |
| Power      | Built-in Battery         | 3200mAh / 3.7V Li-pol-batteri  |
|            | charging set             | 5V DC electrical outlets   |
| Accessorie | USB Cable                | Micro USB cable ,Micro USB 5PIN, L=60CM                                    |
|            | OTG cable                | Micro OTG calbe , Micro USB5PIN, L=100MM                                   |
| Other      | environmental parametric | operate temperature: 0 °C to 50 °C<br>Storage temperature: -10 °C to 60 °C |

# PMP3570C BOM

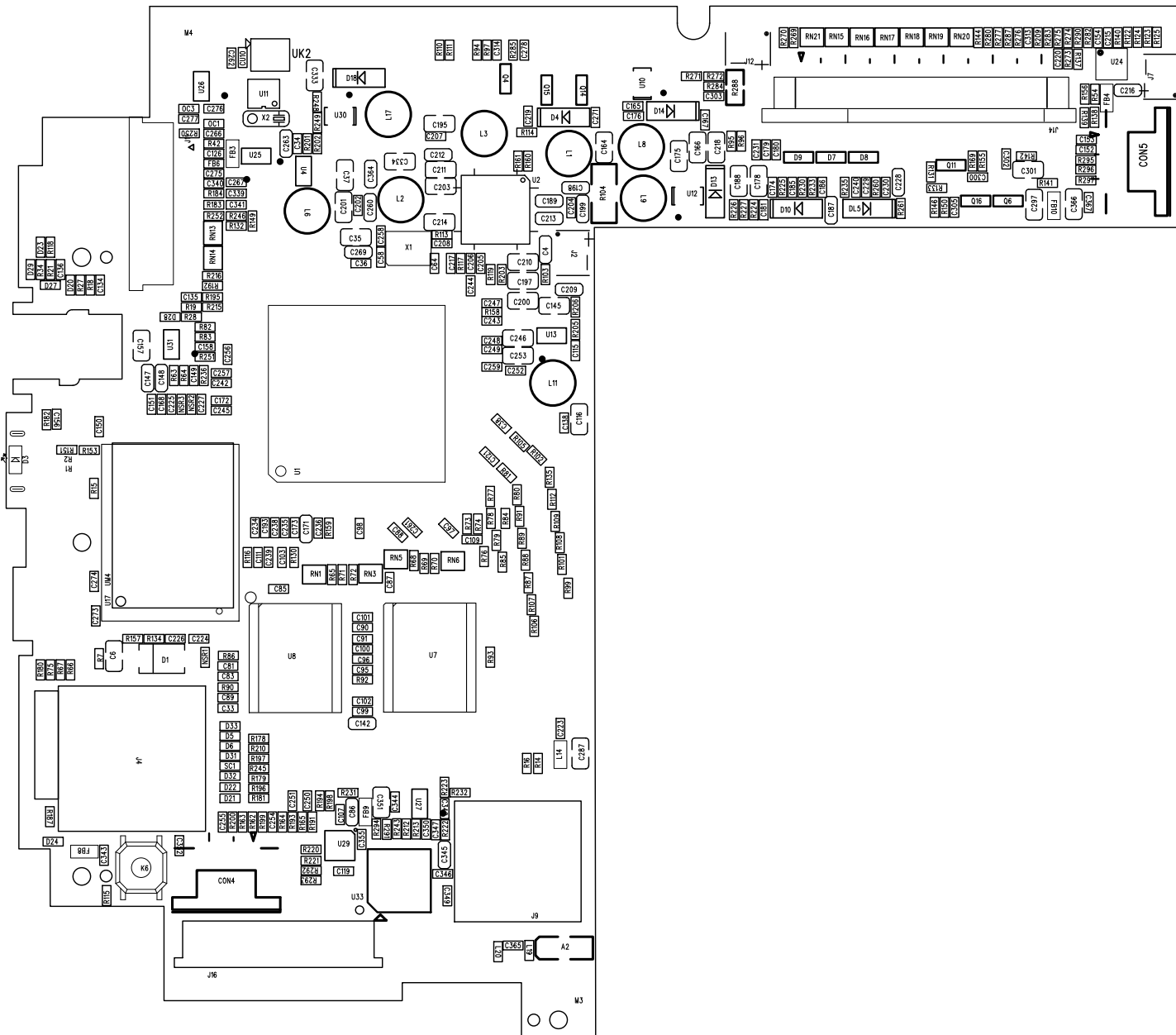
| PN Code          | Description                 |   | Unit | Qty | Remark   |
|------------------|-----------------------------|---|------|-----|--|
| 26-08011-0000301 | LCD                         | 7" 800*480,LT70009CHT-03 164.9*103*3.5MM Glass ROHS | PCS  | 1   |  |
| 25-01021-0000601 | CTP                         | 7inch G+G   | PCS  | 1   |  |
| 30-02011-0001201 | Speaker                     | MLS24154008P-W02,L=50mmROHS                         | PCS  | 1   |  |
| 24-01011-0001601 | Battery                     | 3200mAh,L=15mmROHS                                  | PCS  | 1   |  |
| 02-03061-0005501 | Camera                      | Front CAM0.3 ROHS                                   | PCS  | 1   |  |
| 23-04051-0002801 | Antenna                     | RF Cable 1.13mm,L=150mm ROHS                        | PCS  | 1   |  |
| 73-05000-0002601 | Double Side Tape            | 85*15*0.1mm ROHS                                    | PCS  | 1   |  |
| 42-01011-0008201 | Auto tapping Screw          | KA1.40*5*2.8MM 低碳钢 黑色 ROHS                          | PCS  | 2   |  |
| 42-01011-0007401 | Auto tapping Screw          | KA1.4*3.5mm ROHS                                    | PCS  | 3   |  |
| 33-03011-0000801 | Double Side Conductive Tape | 20*10mm ROHS  | PCS  | 2   |  |
| 33-03011-0000901 | Double Side Conductive Tape | 50*8mm ROHS   | PCS  | 1   |  |
| 41-18413-0000101 | Speaker dust-proof          | H=0.1mm尼龙网背胶 ROHS                                   | PCS  | 1   |  |
| 51-28000-0010101 | water damage sticker        | M72Q2L AS 4*4mm 遇水变红 PN20120529 贴在PCBA上 ROHS        | PCS  | 1   |  |
| 31-02021-0001501 | microphone                  | 圆形,插针式 4*1.5,DI ROHS                                | PCS  | 1   | MIC1   |
| 478G-37300RS     | Chip Resistor               | 普通 6.8KΩ, ±5%, 1/16W, 0402 YAGEO ROHS               | PCS  | 3   | R67,R138,R139  |
| 478G-41701RS     | Chip Resistor               | 普通 8.2KΩ, ±1%, 1/16W, 0402 YAGEO (RoHS)             | PCS  | 1   | R75  |
| 11-01021-0027701 | Chip Resistor               | 普通 9.1KΩ, ±5%, 1/16W, 0402 YAGEO ROHS               | PCS  | 1   | R273   |
| 478G-45000RS     | Chip Resistor               | 普通 10KΩ, ±5%, 1/16W, 0402 YAGEO ROHS                | PCS  | 13  | NSR1,R54,R110,R134,R157,R42,R192,R195,R209,R270,R280,R287,R283   |
| 478G-24601RS     | Chip Resistor               | 普通 13KΩ, ±1%, 1/16W, 0402 YAGEO ROHS                | PCS  | 1   | R249,  |
| 478G-53800RS     | Chip Resistor               | 普通 20k 1/16W 1% 0402 YAGEO (RoHS)                   | PCS  | 1   | R133   |
| 478G-56001RS     | Chip Resistor               | 普通 22KΩ, ±1%, 1/16W, 0402 YAGEO (ROHS)              | PCS  | 1   | R140   |
| 478G-40900RS     | Chip Resistor               | 普通 39KΩ, ±5%, 1/16W, 0402 YAGEO (RoHS)              | PCS  | 1   | R225   |
| 478G-41100RS     | Chip Resistor               | 普通 47KΩ, ±5%, 1/16W, 0402 YAGEO (RoHS)              | PCS  | 13  | R82,R114,R117,R142,R151,R178,R179,R181,R196,R197,R210,R233,R261  |
| 478G-44400RS     | Chip Resistor               | 普通 56KΩ, ±1%, 1/16W, 0402 YAGEO (RoHS)              | PCS  | 1   | R284   |
| 478G-25901RS     | Chip Resistor               | 普通 75KΩ, ±1%, 1/16W, 0402 YAGEO ROHS                | PCS  | 1   | R227   |
| 478G-38300RS     | Chip Resistor               | 普通 100KΩ, ±1%, 1/16W, 0402 YAGEO (RoHS)             | PCS  | 4   | R66,R202,R206,R248   |
| 478G-38400RS     | Chip Resistor               | 普通 100KΩ, ±5%, 1/16W, 0402 YAGEO (RoHS)             | PCS  | 3   | R83,R94,R146   |
| 478G-54200RS     | Chip Resistor               | 普通 150k 1/16W 1% 0402 YAGEO (RoHS)                  | PCS  | 1   | R205   |
| 478G-42300RS     | Chip Resistor               | 普通 200KΩ, ±1%, 1/16W, 0402 YAGEO (RoHS)             | PCS  | 2   | R113,R158  |
| 11-01021-0023401 | Chip Resistor               | 普通 442KΩ, ±1%, 1/16W, 0402 YAGEO ROHS               | PCS  | 1   | R201   |
| 478G-26800RS     | Chip Resistor               | 普通 499KΩ ±1%, 1/16W, 0402 YAGEO ROHS                | PCS  | 1   | R224   |
| 478G-27200RS     | Chip Resistor               | 普通 510KΩ ±5%, 1/16W, 0402 YAGEO ROHS                | PCS  | 6   | R97,R141,R150,R131,R251,R285   |
| 478G-43600RS     | Chip Resistor               | 排阻 8P4R 100Ω ±5% 1/16W 0402 YAGEO (ROSH)            | PCS  | 8   | RN13,RN14,RN15,RN16,RN17,RN18,RN19,RN20,   |
| 150G-40600RS     | Chip Capacitor              | 陶瓷 18pF 50V COG ±5% 0402 村田 ROHS                    | PCS  | 2   | C58,C64  |
| 150G-41100RS     | Chip Capacitor              | 陶瓷 47pF 50V NPO ±5%,0402 村田 ROHS                    | PCS  | 3   | C34,C115,C181  |
| 150G-35500RS     | Chip Capacitor              | 陶瓷 100PF 50V COG ±5% 0402 村田 ROHS                   | PCS  | 3   | C150,C151,C168   |
| 150G-36002RS     | Chip Capacitor              | 陶瓷 1nF,50V,X7R,±10%,0402 村田(RoHS)                   | PCS  | 7   | C165,C176,C202,C207,C215,C219,C244   |
| 10-01141-0005801 | Chip Capacitor              | 陶瓷,100nF 16V X7R ±10% 0402 编带 Darfon RoHS           | PCS  | 29  | SC1,OC1,OC3,CU10,C38,C103,C107,C119,C111,C134,C135,C136,C149,C193,C235,C236,C238,C239,C245,C247,C248,C249,C252,C256,C258,C259,C262,C352,C367 |
| 10-01161-0001701 | Chip Capacitor              | 陶瓷,100nF,25V,Y5V,±10%,0402 村田 ROHS                  | PCS  | 10  | C167,C174,C179,C180,C185,C186,C229,C230,C231,C240  |
| 10-01141-0005701 | Chip Capacitor              | 陶瓷,4.7nF 50V X7R ±10% 0402 编带 Darfon RoHS           | PCS  | 2   | C152,C153  |
| 150G-56400RS     | Chip Capacitor              | 陶瓷 220nF,10V,X7R,±10%,0402 村田 ROHS                  | PCS  | 7   | C36,C126,C138,C156,C158,C220,C278  |
| 10-01151-0001801 | Chip Capacitor              | 陶瓷,1uF 10V X5R ±10% 0402 编带 Darfon ROHS             | PCS  | 18  | C33,C121,C154,C172,C173,C234,C242,C257,C261,C271,C204,C205,C206,C208,C217,C305,C314,C340   |
| 150G-66900RS     | Chip Capacitor              | 1UF 25V ±10% 0402 X5R Darfon RoHS                   | PCS  | 26  | C223,C300,C302,C81,C83,C85,C87,C88,C89,C90,C91,C95,C96,C97,C98,C99,C100,C101,C102,C224,C225,C226,C227,C273,C274,C313                         |
| 10-01141-0006001 | Chip Capacitor              | RoHS  | PCS  | 3   | C187,C228,C364   |
| 10-01151-0001301 | Chip Capacitor              | 陶瓷,2.2uF,10V,X5R,±10%,0402 Darfon RoHS              | PCS  | 1   | C243   |

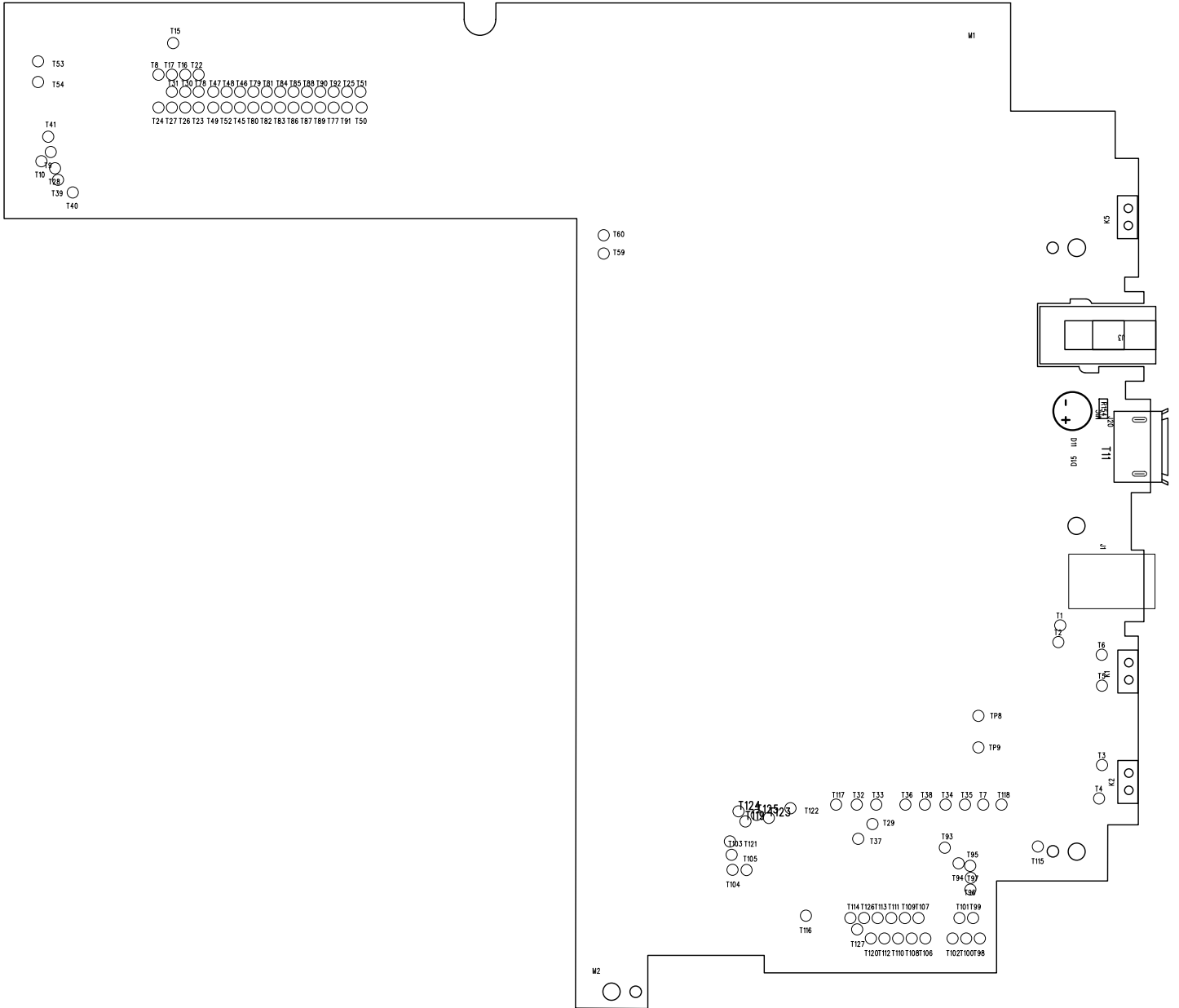
# PMP3570C BOM

| PN Code          | Description  | Unit | Qty | Remark  |
|------------------|--|------|-----|---|
| 10-01151-0003501 | Chip Capacitor 陶瓷,4.7uF,6.3V,X5R,±20%,0402 村田 ROHS                         | PCS  | 5   | C266,C267,C275,C276,C277  |
| 150G-41400RS     | Chip Capacitor 陶瓷,2.2uF,10V,X5R,±10%,0603 村田 RoHS                          | PCS  | 2   | C86,C216  |
| 10-01141-0005401 | Chip Capacitor 陶瓷, 4.7uF,10V,X7R,±10%,0603,Darfon RoHS                     | PCS  | 13  | C4,C189,C198,C199,C209,C212,C213,C147,C148,C142,C171,C260,C269  |
| 10-01151-0001501 | Chip Capacitor 陶瓷,10uF,10V X5R ±10% 0805 Darfon ROHS                       | PCS  | 22  | C6,C35,C37,C116,C145,C164,C195,C197,C200,C201,C203,C210,C211,C214,C218,C297,C301,C175,C246,C253,C351,C366 |
| 150G-37001RS     | Chip Capacitor 陶瓷,4.7uF,25V,X5R,±10% 0805 村田 ROHS                          | PCS  | 1   | C157  |
| 150G-32201RS     | Chip Capacitor 陶瓷,10uF,16V,X5R,±10%,0805 村田 ROHS                           | PCS  | 5   | C178,C188,C287,C333,C334  |
| 10-01141-0005501 | Chip Capacitor 陶瓷 10uF 25V X7R ±10% 0805 Darfon ROHS                       | PCS  | 1   | C166  |
| 188G-45600RS     | Chip Ferrite Bead BLM18AG601SN1,0603,村田 ROHS                               | PCS  | 3   | FB3,FB9,L14   |
| 188G-24000RS     | Chip Ferrite Bead BLM15AG221SN, 200mA ±25% 0402 ROHS                       | PCS  | 1   | FB6   |
| 188G-37200RS     | Chip Ferrite Bead BLM18BD252SN1,50mA 2.5K AT 100MHz FeRRITE BEAD,0603 ROHS | PCS  | 2   | FB8,FB10  |
| 10-01171-0001901 | Chip Capacitor RoHS  | PCS  | 1   | C365  |
| 08-01011-0005301 | Chip Inductor SWPA4018-2.2UH ROHS (MD专用) 华焱 编带 ROHS                        | PCS  | 6   | L1,L2,L3,L6,L11,L17   |
| 08-01011-0003901 | Chip Inductor ROHS   | PCS  | 1   | L9  |
| 08-01081-0006401 | 电感/电源 ROHS   | PCS  | 1   | L8  |
| 230G-21901RS     | Crystal 32.768KHz,Crystal,±20PPM,12.5pF,贴片型,EPSON MC-146(ROHS)             | PCS  | 1   | X2  |
| 230G-25202RS     | Chip Crystal 24.0000MHz,Crystal,20PF,±10ppm,3.2*2.5 贴片型 ROHS               | PCS  | 1   | X1  |
| 480G-30501RS     | Chip Diode B5819W SOD-123 长天科技ROHS   | PCS  | 4   | D4,D18,D13,D14  |
| 481G-31900RS     | Chip Transistor BC848CW 100mA NPN sot323-3 编带 ROHS                         | PCS  | 1   | Q11   |
| 480G-31600RS     | Chip Diode BAT54S,200mA,SOT-23(RoHS)                                       | PCS  | 3   | D7,D8,D9  |
| 04-01041-0001501 | SMT zener diode MM1Z18V SOD-123 ST品牌 编带 天旺 ROHS                            | PCS  | 1   | DL5   |
| 480G-40400RS     | SMT zener diode MM1Z6V8,SOD123ROHS   | PCS  | 1   | D10   |
| 03-02011-0005801 | Chip Mosfet AO3423,P-MOSFET ID 1A VGS 0.9V SOT-23,编带 ROHS                  | PCS  | 3   | Q6,Q14,Q15  |
| 03-02011-0005501 | Chip Transistor MMBT3904 SOT-23 MSV品牌 沛城ROHS                               | PCS  | 2   | Q4,Q16  |
| 01-01011-0021101 | IC SMT Form CPU,A13,LQFP176 奇豪电子 ROHS                                      | PCS  | 1   | U1  |
| 01-01011-0011101 | IC SMT Form DDR3 H5TQ2G83CFR-H9C 78BALL FBGA 1333 盘装 ROHS                  | PCS  | 2   | U7,U8   |
| 01-01021-0005101 | IC SMT Form FLASH BW29F64G08CFACA 8GB TSSOP48 BIWIN 托盘 ROHS                | PCS  | 1   | U17   |
| 01-01011-0021301 | IC SMT Form DC/DC.MT3410.ADJ.1.5MHZ.1.5A ROHS                              | PCS  | 2   | U4,U13  |
| 01-01011-0021401 | IC SMT Form D类音频功放,TF6900M ROHS  | PCS  | 1   | U24   |
| 01-01011-0021801 | IC SMT Form LDO 2.8V 300mA SOT-25,LN1134A282MR 南麟电子 ROHS                   | PCS  | 1   | U25   |
| 01-01011-0021901 | IC SMT Form LDO 1.8V 300mA SOT-25,LN1134A182MR 南麟电子 ROHS                   | PCS  | 1   | U26   |
| 01-01011-0021501 | IC SMT Form 背光驱动,MT9284-28J ROHS   | PCS  | 1   | U10   |
| 703G-98500RS     | IC SMT Form LP3301SJ5F,SOT-23-5,编带 ROHS                                    | PCS  | 1   | U12   |
| 01-01011-0021601 | IC SMT Form G-SENSOR.DMARD06.DFN-16.SMD ROHS                               | PCS  | 1   | U29   |
| 01-01011-0021201 | IC SMT Form PMU,AXP209,QFN48 奇豪电子 ROHS                                     | PCS  | 1   | U2  |
| 01-01031-0018201 | IC SMT Form LP6218.SOT-23-6.编带 科创达 ROHS                                    | PCS  | 1   | U30   |
| 01-01031-0013701 | IC SMT Form 时钟/日历芯片 AT8563,MSOP8,编带 ROHS                                   | PCS  | 1   | U11   |
| 01-01021-0006301 | IC SMT Form MODULE USB Wi-Fi RL-UM12BS-8188EUS-33 鲲鹏发 盘装 ROHS              | PCS  | 1   | J9  |
| 01-01011-0021701 | IC SMT Form USB限流IC,RT9702AGB, ROHS  | PCS  | 1   | U31   |
| 14-01011-0014401 | SIMearphone socket PJ-3106C,3.5耳机插座,1个定位柱,高4.0mm ROHS                      | PCS  | 1   | J3  |
| 14-01011-0014501 | SIM Card Socket ECT/M-211-PJ,TF卡座 PUSH 外焊型,H=1.85mm,两定位柱 ROHS              | PCS  | 1   | J4  |
| 14-01011-0008001 | SIM Card Socket FPC,翻盖下接触,12pin,脚距0.5mm,H1.5mm,SMT ROHS                    | PCS  | 1   | CON4  |
| 14-01011-0009401 | SIM Card Socket 50Pin,P=0.5mm,H1.5mm,卧式,翻盖下接触,SMD ROHS                     | PCS  | 1   | J14   |
| 14-01031-0001601 | SIM Card Socket FPC,翻盖下接触,24pin,脚距0.5mm,H1.5mm,SMT 迈斯康 ROHS                | PCS  | 1   | J11   |

# PMP3570C BOM

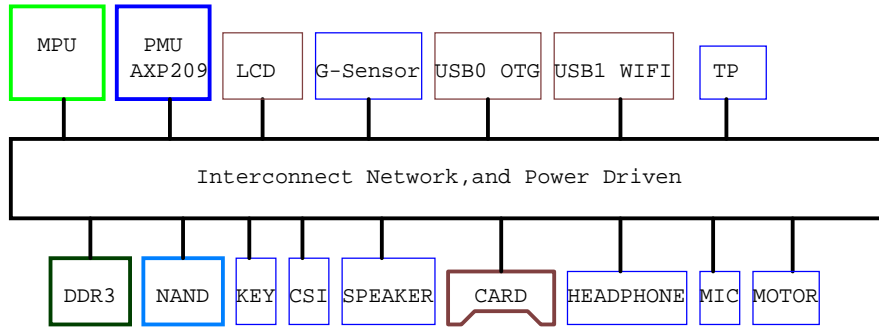
| PN Code          | Description       |  | Unit | Qty | Remark  |
|------------------|-------------------|--|------|-----|---|
| 14-01021-0001001 | SIM DC Socket     | ZDC-ACT05-0203, $\phi$ 2.5mm, 贴片式, 两定位柱, 高3mm ROHS   | PCS  | 1   | J1  |
| 14-01031-0001501 | SIM Card Socket   | USB_US01705316-R(5PIN) ROHS                          | PCS  | 1   | J20   |
| 15-01051-0000601 | SMT touch switch  | ROHS   | PCS  | 3   | K1,K2,K5  |
| 15-01051-0000701 | SMT touch switch  | T1030, 贴片式, 5.2*5.2*高1.5mm, 4pin脚 ROHS               | PCS  | 1   | K6  |
| 12-05024-0002801 | PCB Main          | M72Q2L PCB 4层板(A86_MB-LV3.1) 奇豪电子 ROHS               | PCS  | 1   |   |
| 09-01021-0001601 | SMT piezoresistor | SDV1005H260C020YPTF 0402封装 顺络 ROHS                   | PCS  | 21  | D5,D6,D11,D15,D20,D21,D22,D23,D24,D27,D28,D29,D31,D32,D33,R124,R125,R154,R180,R182,R187 |
| 11-01111-0001201 | RALEC             | 8P4R,24 $\Omega$ , $\pm$ 5%,1/16W,0402 ROHS          | PCS  | 4   | RN1,RN3,RN5,RN6   |
| 478G-37100RS     | RALEC             | 排阻 8P4R,33 $\Omega$ , $\pm$ 5%, 1/16W, 0402ROHS      | PCS  | 1   | RN21  |
| 09-01091-0000301 | Chip Ferrite Bead | MMZ1005D121CT,0402 编带 TDK ROHS                       | PCS  | 1   | R245  |
| 478G-39000RS     | Chip Resistor     | 普通,18K $\Omega$ , $\pm$ 1%, 1/16W, 0402 YAGEO (RoHS) | PCS  | 1   | R274  |
| 188G-31500RS     | Chip Ferrite Bead | BLM15BB221SN1D,200mA, $\pm$ 25% ,0402 村田 ROHS        | PCS  | 1   | R144  |





# COVER

## BLOCK



## GPIO ASSIGNMENT

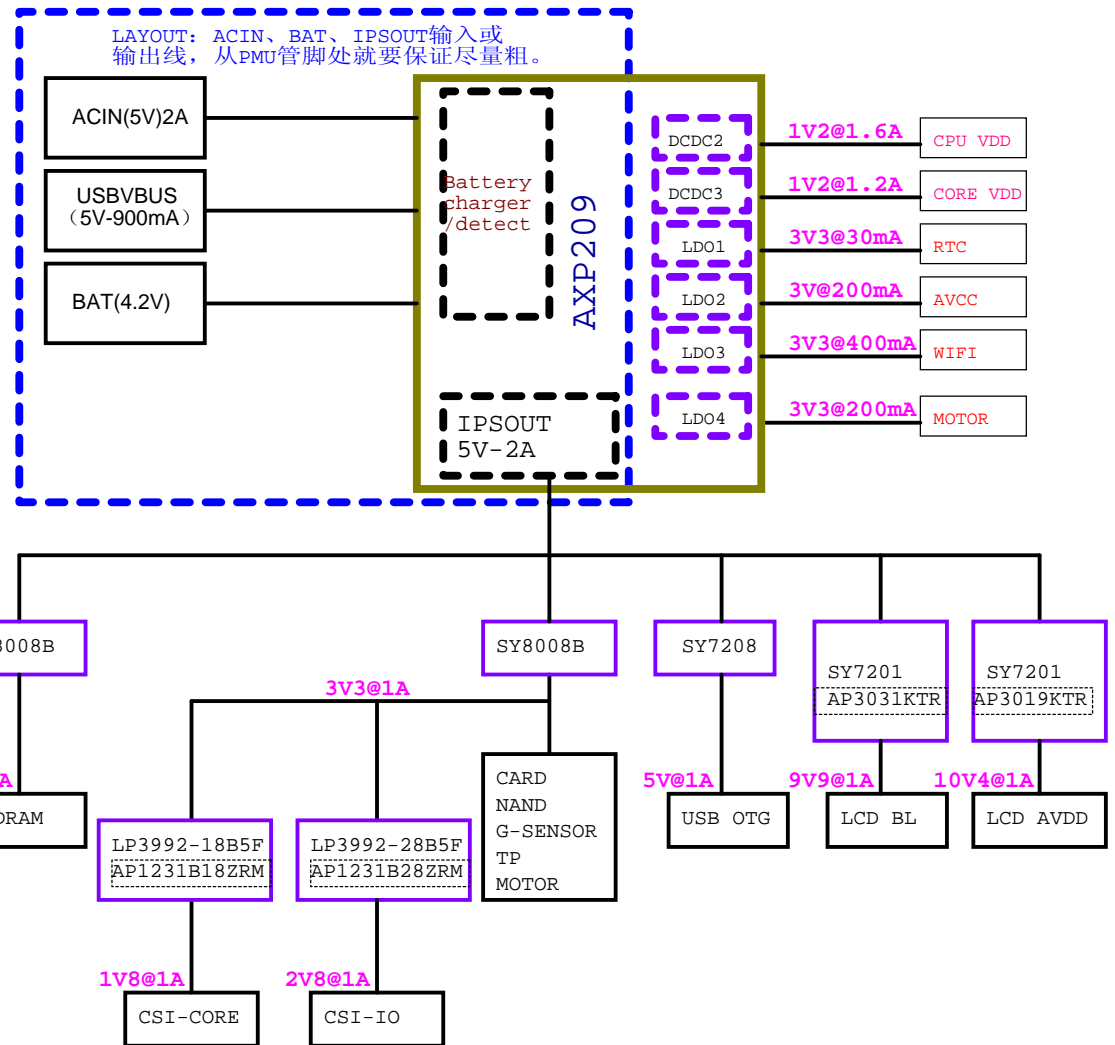
| CPU   | Define   | Function     |
|-------|----------|--------------|
| PB0   | TWI0_SCK | TWI0         |
| PB1   | TWI0_SDA |              |
| PB2   | PWM0     | LCD          |
| PB3   | GPIO-OUT | TP-WAKE-RST  |
| PB4   | NC       |              |
| PB10  | GPIO-OUT | CSI-STY      |
| PB15  | TWI1_SCK | TWI1         |
| PB16  | TWI1_SDA |              |
| PB17  | TWI2_SCK | TWI2         |
| PB18  | TWI2_SDA |              |
| PG0   | INPUT    | SD0-DET-N    |
| PG1   | GPIO-IN  | USB0-VBUSDET |
| PG2   | GPIO-IN  | USB0-IDDET   |
| PG3   | UART-TX  | UART-TX      |
| PG4   | UART-RX  | UART-RX      |
| PG9   | GPIO-OUT | MT-EN        |
| PG10  | GPIO-OUT | PA-SHDN      |
| PG11  | EINT     | TP-INT       |
| PG12  | GPIO-OUT | USB0-DRV     |
| PMU   | Define   | Function     |
| GPIO0 | GPIO-OUT | LCD-PWR      |
| GPIO1 | GPIO-OUT | LCD-BL-EN    |
| GPIO2 | GPIO-OUT | CSI-PWR-EN   |
| GPIO3 | GPIO-OUT | CSI-RST      |

特别提醒:  
1: PG0 / PG1 / PG2这三个PIN脚只具有INPUT/中断/专有功能  
2: PMU的GPIO0/1/2/3这四个PIN脚只做GPIO-OUTPUT功能  
3: PG10 / PG11 / PG12这三个PIN脚的功能不可改变

## REVISION HISTORY

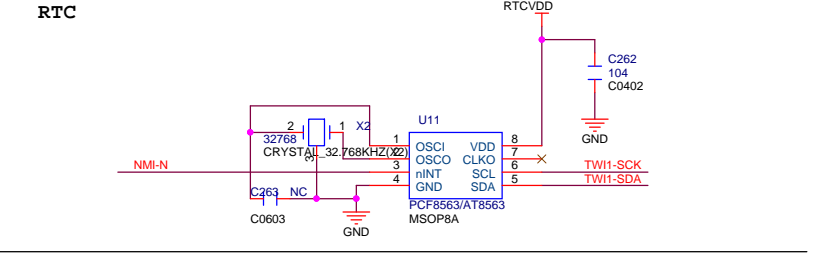
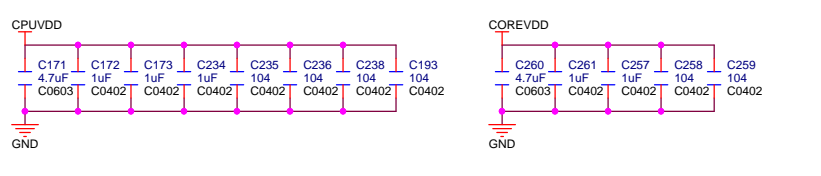
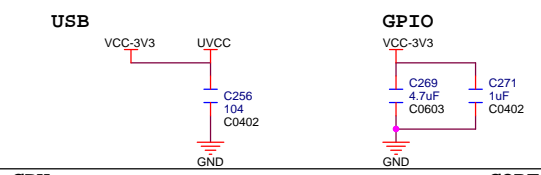
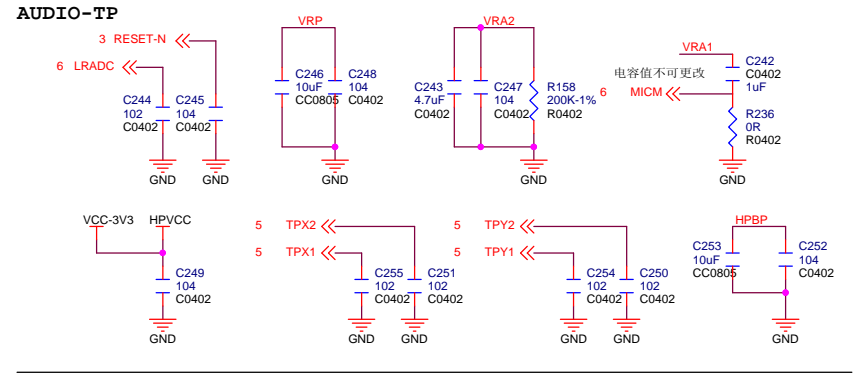
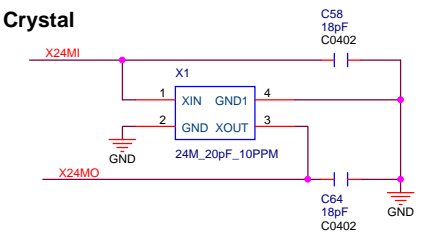
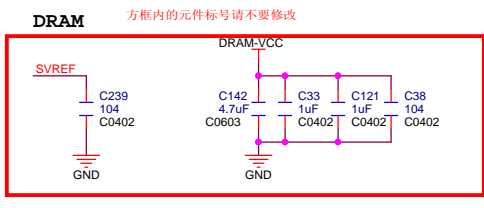
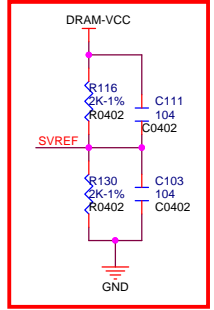
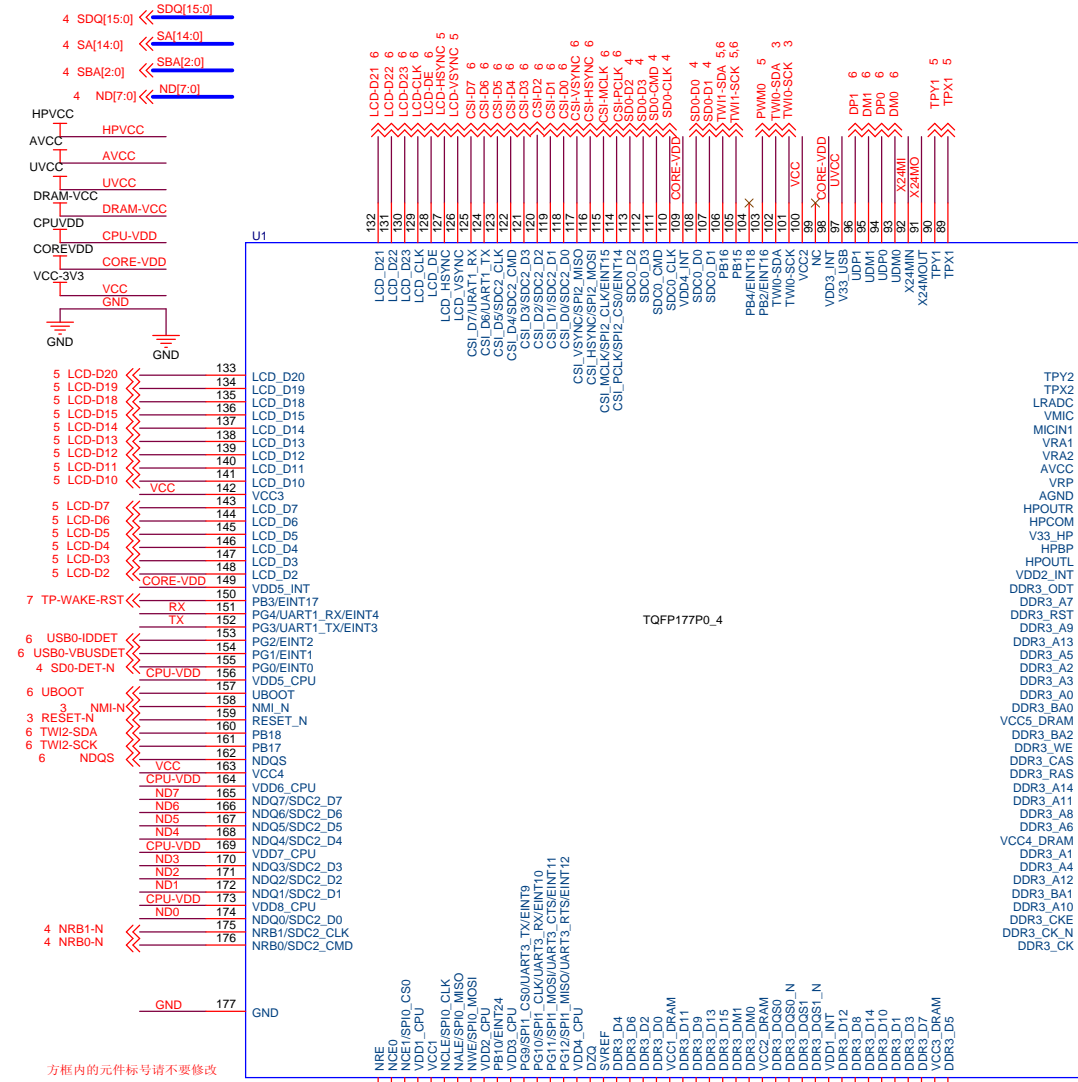
| Revision            | Description  | Date | Drawn | Checked | Approved |
|---------------------|--------------|------|-------|---------|----------|
| APP3_PAD_DDR3_V1_10 | version 1.10 |      | CPL   |         |          |
|                     |              |      |       |         |          |
|                     |              |      |       |         |          |
|                     |              |      |       |         |          |

## POWER TREE

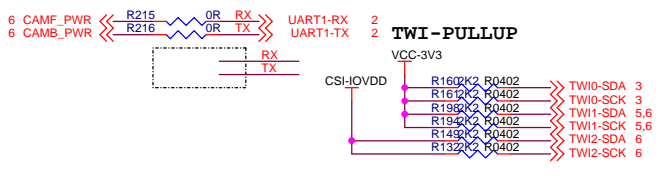




# CPU



注：封装为eLQFP176，胶皮为GND，需完好接地。为方便维修，请在PCB上打一孔，具体请参考原厂的PCB layout指导



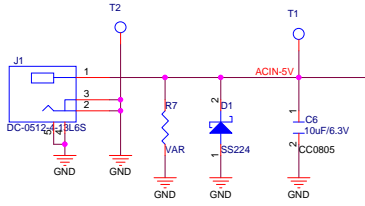
上海视升信息科技有限公司

03 CPU2

Size: Document Number  
Custom: A702\_MB

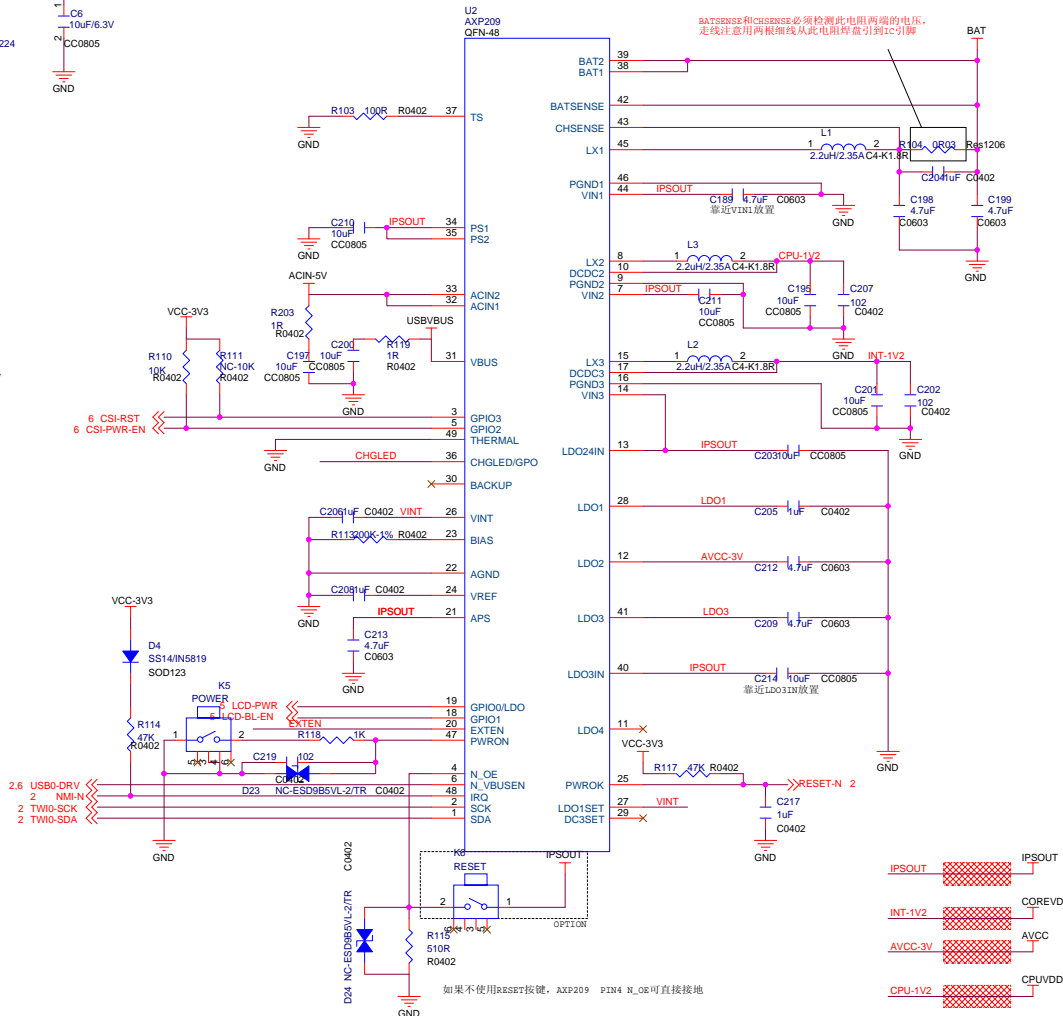
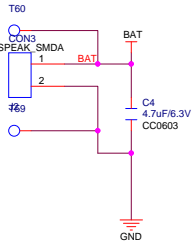
Date: Saturday, November 10, 2012 Sheet 3 of 14

# POWER-PMU



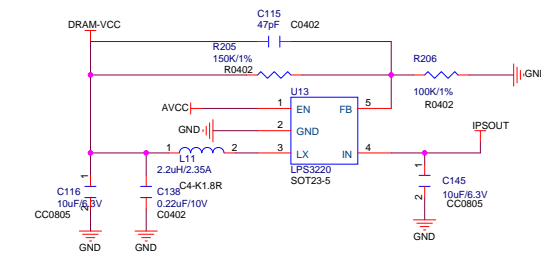
POWER LINE:Width>=60mil

# POWER INPUT

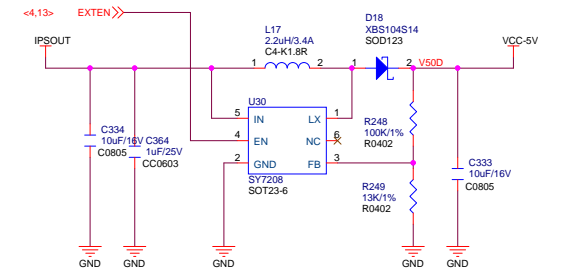
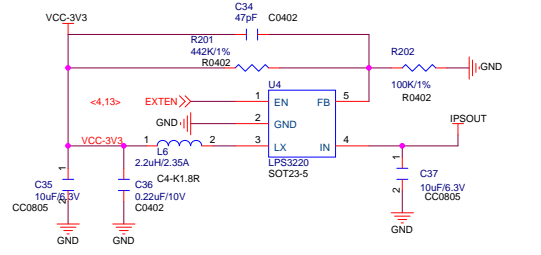


注: 4.7uH-DCR<0.1R-1.5A  
表示在1.5A的电流下电感感量还满足4.7uH, DCR<0.1R表示电感直流电阻要小于0.1欧姆

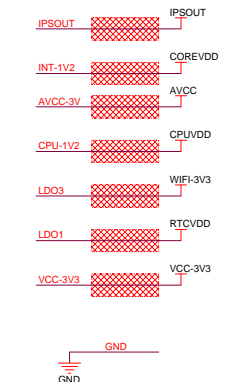
# DC/DC



$$V_{out} = 0.6 * (1 + R1/R2)$$

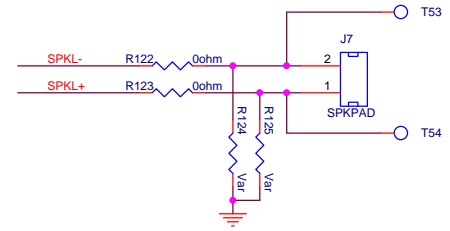
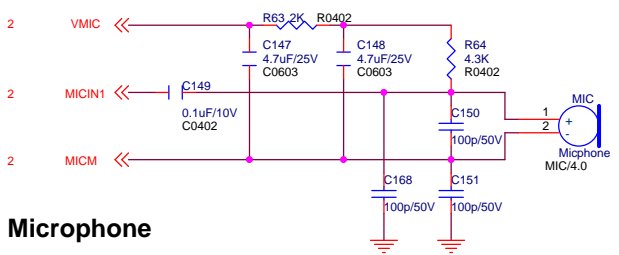
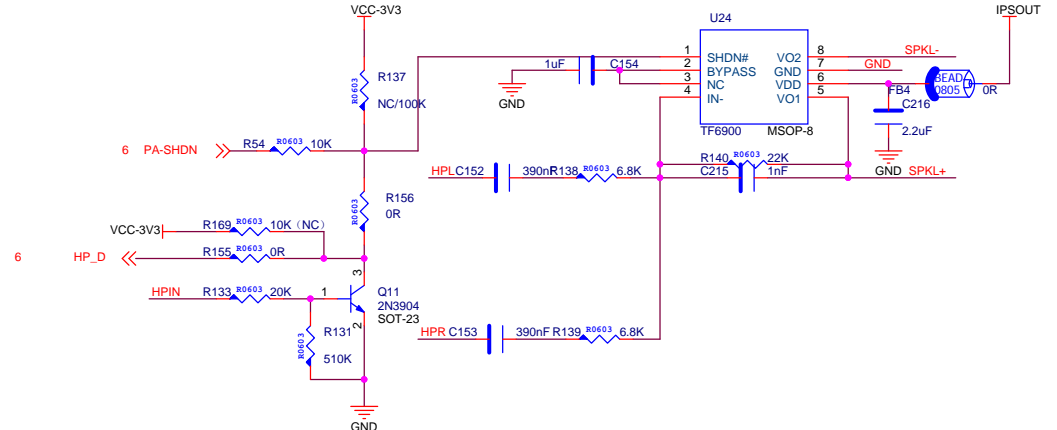
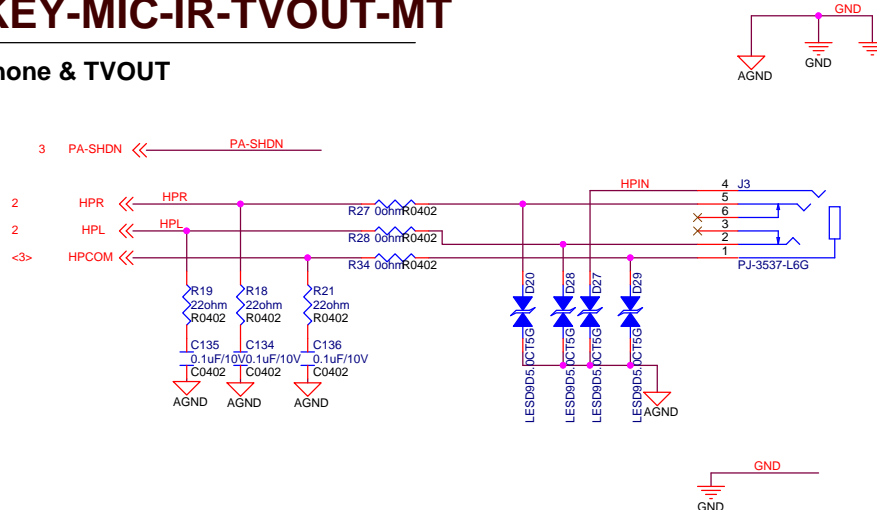


$$V_{out} = 0.6 * (1 + R1/R2) \quad \text{实际输出控制在5.2V}$$



# HP-KEY-MIC-IR-TVOUT-MT

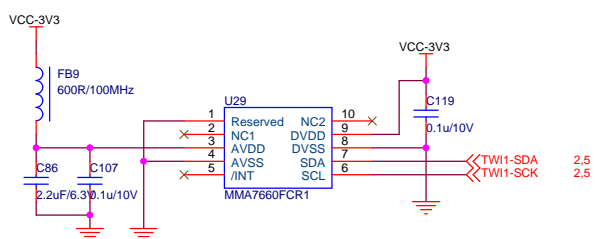
## Head Phone & TVOUT



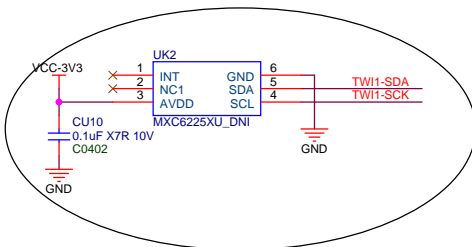
Microphone

Audio AMP

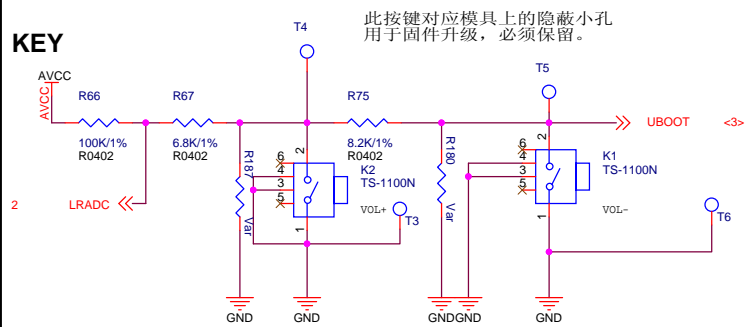
## G-SENSOR



G-sensor



## KEY

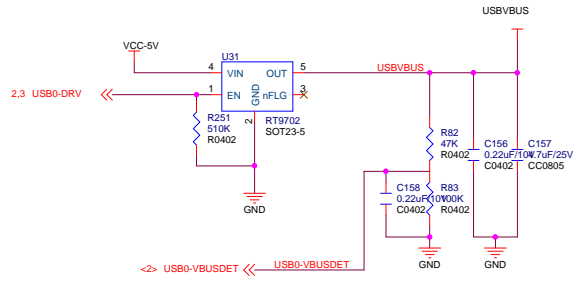


此按键对应模具上的隐蔽小孔用于固件升级，必须保留。

|                                  |                             |               |
|----------------------------------|-----------------------------|---------------|
|                                  |                             |               |
| 上海视升信息科技有限公司                     |                             |               |
| Title                            |                             |               |
| <b>08 HP-KEY-MIC-IR-TVOUT-MT</b> |                             |               |
| Size                             | Document Number             | Rev           |
| A3                               | A702_MB                     | V1.0          |
| Date:                            | Saturday, November 10, 2012 | Sheet 8 of 14 |

# USB-CARD-DEBUG-WIFI

## USB

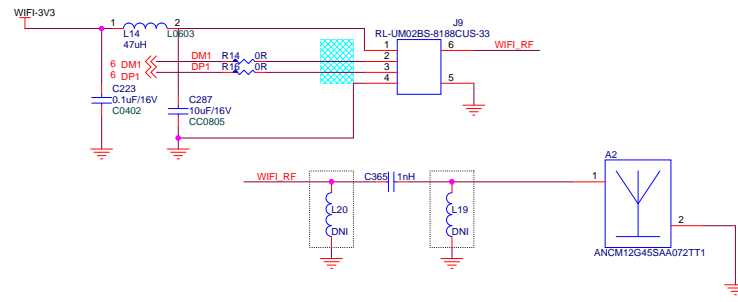


## USB-OTG

Differential pairs  
Z0= 90 ohm

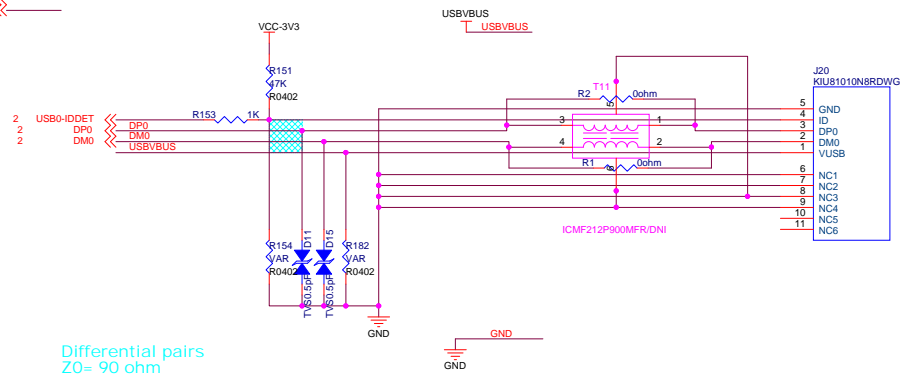


## USB WIFI



2,3 USB0-DRV  
2 USB0-VBUSDET

Differential pairs  
Z0= 90 ohm



Differential pairs  
Z0= 90 ohm

|                             |                             |
|-----------------------------|-----------------------------|
|                             |                             |
| 上海视升信息科技有限公司                |                             |
| <b>09 USB-CARD-G SENSOR</b> |                             |
| Title                       | Document Number             |
| Size                        | Rev                         |
| Customer                    | MB                          |
| Date:                       | Saturday, November 10, 2012 |
| Sheet                       | 9 of 14                     |

# MEMORY

## DDR3

方框内的元件标号请不要修改  
Layout时请核对CSP封装, 提供  
的DRAM参考PCB

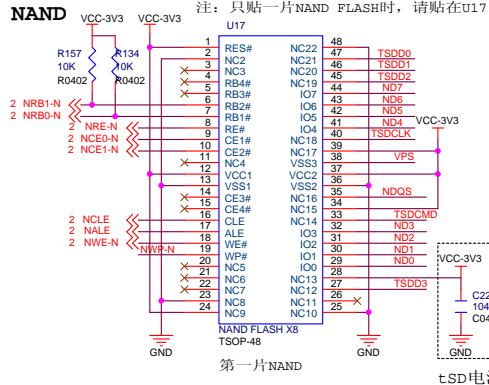
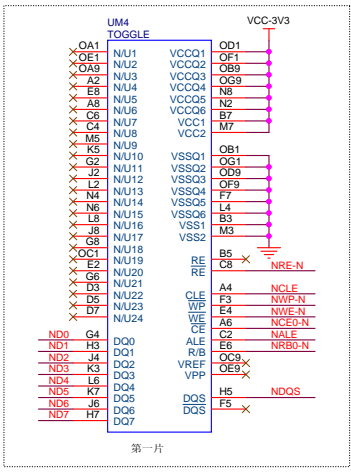
- 2 SDQ[15:0] << SDQ[15:0]
- 2 SA[14:0] << SA[14:0]
- 2 SBA[2:0] << SBA[2:0]
- 2 SRST << SRST
- 2 SODT << SODT
- 2 SCK << SCK
- 2 SCK-N << SCK-N
- 2 SDQM0 << SDQM0
- 2 SDQM1 << SDQM1
- 2 SWE << SWE
- 2 SRAS << SRAS
- 2 SCAS << SCAS
- 2 SCKE << SCKE
- 2 SDQS0 << SDQS0
- 2 SDQS0-N << SDQS0-N
- 2 SDQS1 << SDQS1
- 2 SDQS1-N << SDQS1-N

- SCK R0402 24R R73 D5CK
- NC C100F
- SCK-N R0402 24R R74 D5CK-N

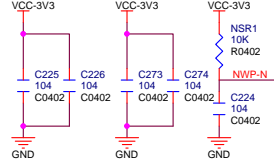
- SA12 R79 24R R0402 A12
- SBA1 R78 24R R0402 BA1
- SA10 R77 24R R0402 A10
- SCKE R76 24R R0402 CKE
- SA8 R80 24R R0402 A8
- SBA1 R81 24R R0402 A6
- SA1 R84 24R R0402 A1
- SA4 R85 24R R0402 A4
- SCAS R87 24R R0402 CAS
- SRAS R88 24R R0402 RAS
- SA14 R89 24R R0402 A14
- SA11 R91 24R R0402 A11

- DRAM-VCC R86 104 C81
- DRAM-REF R90 104 C83
- SODT R99 24R R0402 A7
- SRST R101 24R R0402 A9
- SA0 R102 24R R0402 A0
- SBA0 R105 24R R0402 BA0
- SBA2 R106 24R R0402 BA2
- SWE R107 24R R0402 WE
- SA13 R108 24R R0402 A13
- SA5 R109 24R R0402 A5
- SA2 R112 24R R0402 A2
- SA3 R115 24R R0402 A3

- SDQ5 5 4 DQ5
- SDQ7 7 2 DQ7
- SDQ3 3 2 DQ3
- SDQ1 1 1 DQ1
- SDQ4 24ohm RNT 4 DQ4
- SDQ6 6 3 DQ6
- SDQ2 2 2 DQ2
- SDQ0 8 1 DQ0
- SDQ8 24ohm RN3 4 DQ8
- SDQ10 6 3 DQ10
- SDQ14 6 3 DQ14
- SDQ12 8 1 DQ12
- SDQ13 24ohm RN5 4 DQ13
- SDQ15 6 3 DQ15
- SDQ11 6 2 DQ11
- SDQ9 8 1 DQ9
- 24ohm RNN



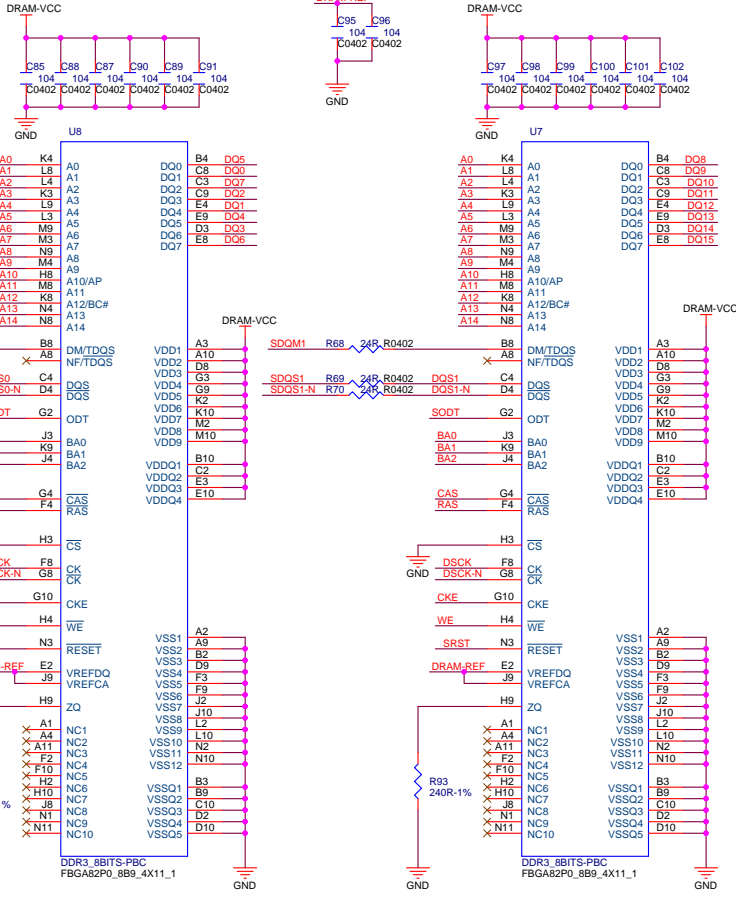
- 2 ND[7:0] << NDQ5



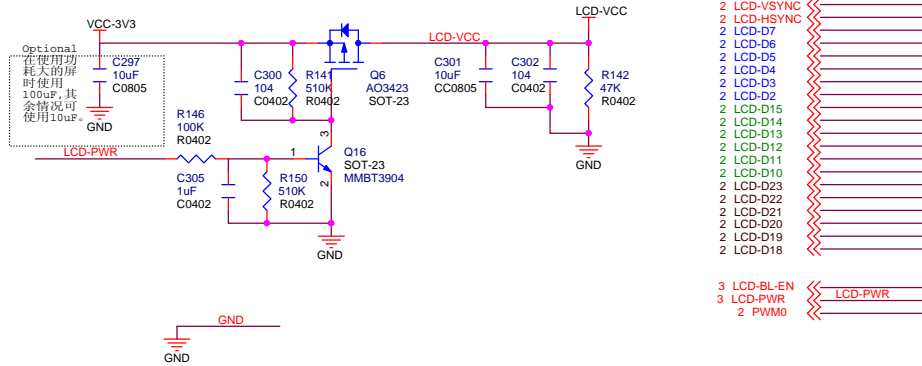
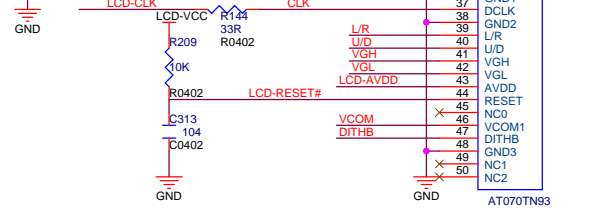
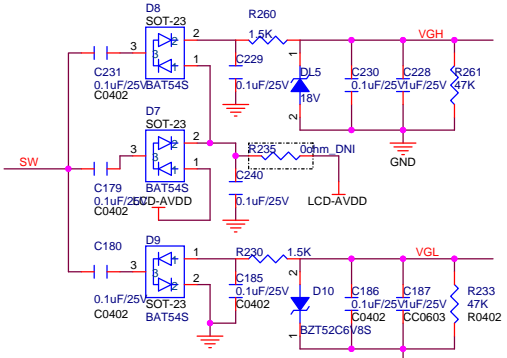
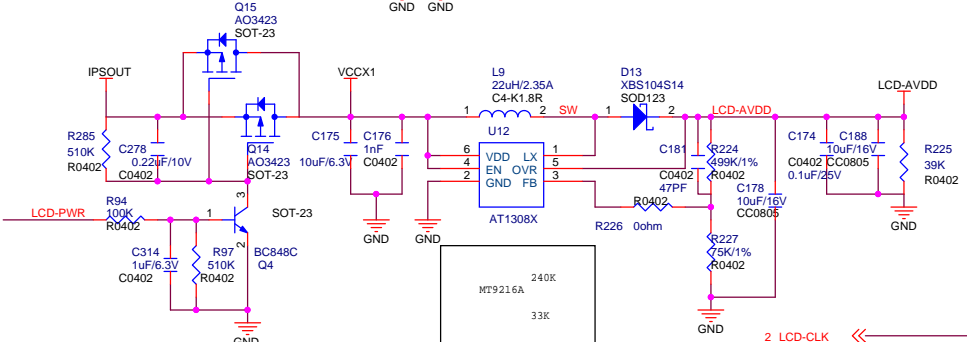
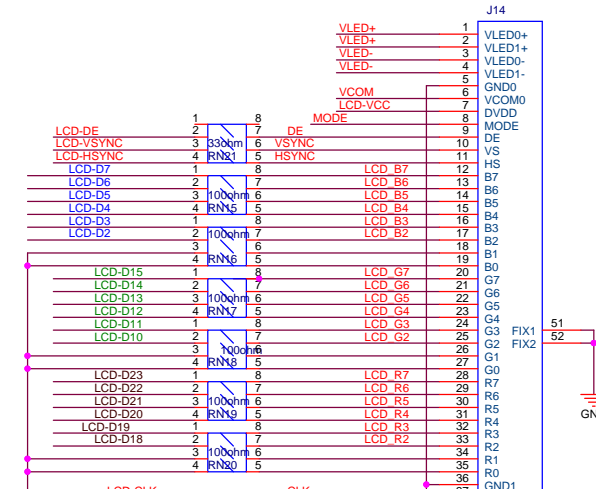
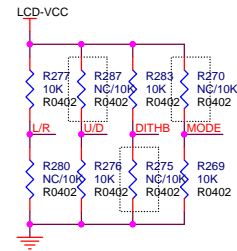
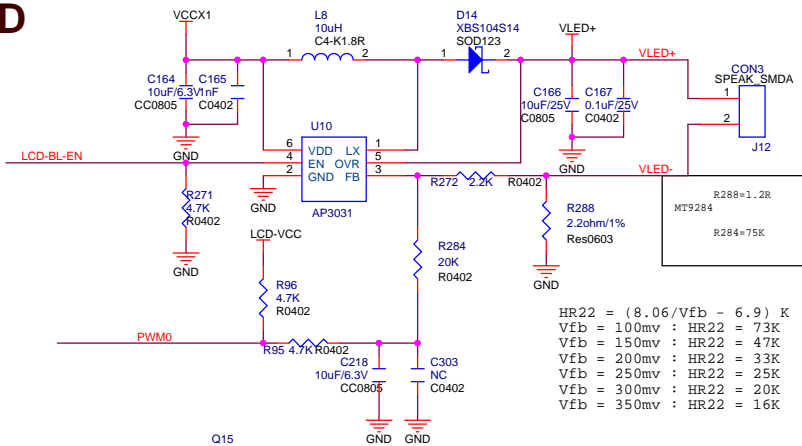
- NSR1 10K R0402
- TSDCLK
- TSDCMD
- NSR2 OR R0402
- NSR3 NC-R R0402
- NRB1-N
- NRB0-N
- ND3
- ND2
- ND1
- ND0
- TSDQ0
- TSDQ1
- TSDQ2
- TSDQ3
- TSDQ4
- TSDQ5

此种连接方式兼容  
tSD和tSOP NAND。

注: 只贴一片TOGGLE NAND时, 请贴在U19



# LCD



- 2 LCD-CLK
- 2 LCD-DE
- 2 LCD-VSYNC
- 2 LCD-HSYNC
- 2 LCD-D7
- 2 LCD-D6
- 2 LCD-D5
- 2 LCD-D4
- 2 LCD-D3
- 2 LCD-D2
- 2 LCD-D15
- 2 LCD-D14
- 2 LCD-D13
- 2 LCD-D12
- 2 LCD-D11
- 2 LCD-D10
- 2 LCD-D23
- 2 LCD-D22
- 2 LCD-D21
- 2 LCD-D20
- 2 LCD-D19
- 2 LCD-D18

- 3 LCD-BL-EN
- 3 LCD-PWR
- 2 PWM0

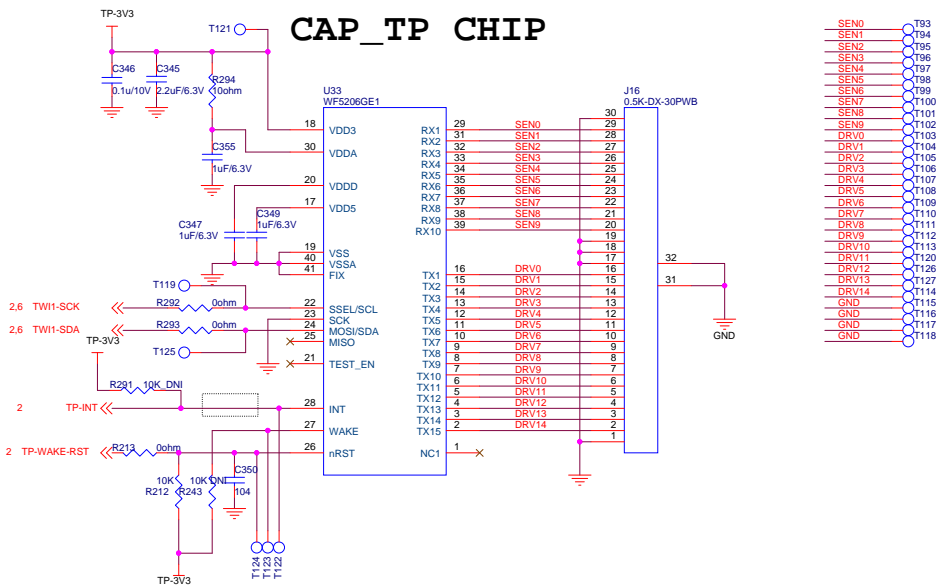
- M1
- M2
- M3
- M4

**上海视升信息科技有限公司**

**11 LCD**

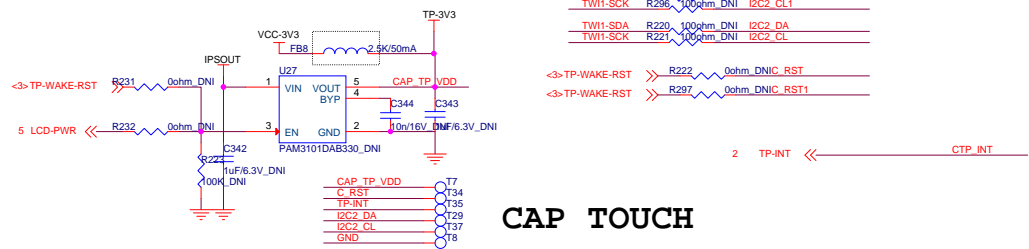
|        |                             |                |
|--------|-----------------------------|----------------|
| Size   | Document Number             | Rev            |
| Custom | A702_MB                     | V1.0           |
| Date:  | Saturday, November 10, 2012 | Sheet 11 of 14 |

# CAP\_TP CHIP



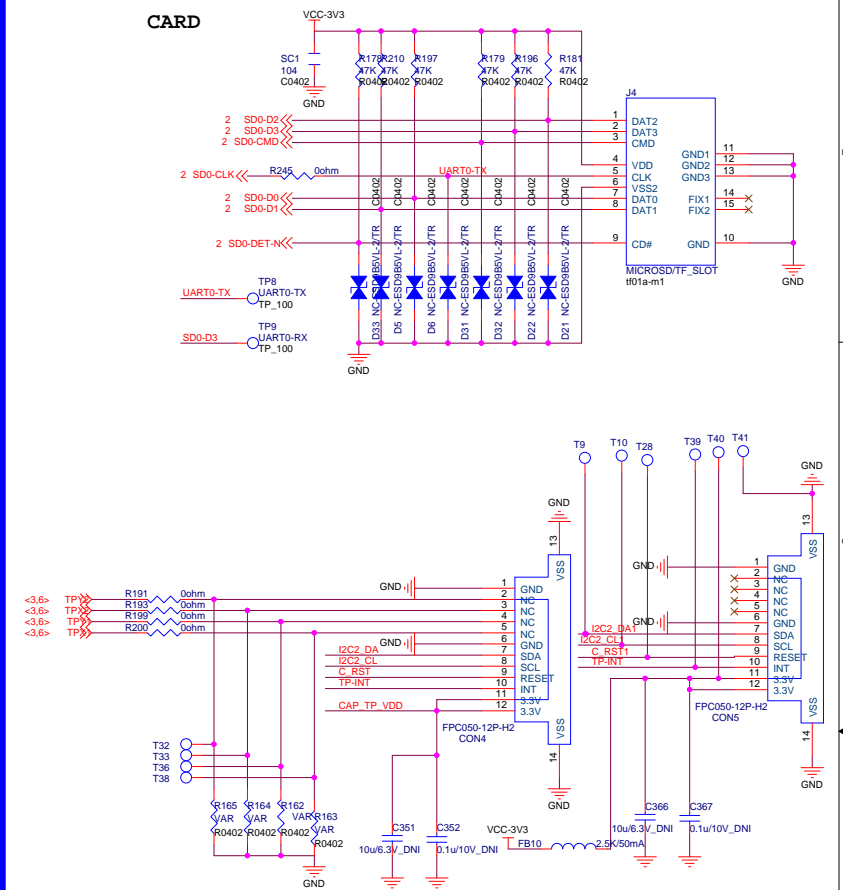
- TP-W1-SCK R295 100ohm\_DNI I2C2 DA1
- TP-W1-SCK R296 100ohm\_DNI I2C2 GL1
- TP-W1-SDA R220 100ohm\_DNI I2C2 DA
- TP-W1-SCK R221 100ohm\_DNI I2C2 CL
- TP-WAKE-RST R222 0ohm\_DNIC\_RST
- TP-WAKE-RST R297 0ohm\_DNIC\_RST1

# CAP TOUCH



- CAP\_TP\_VDD T7
- C\_RST1 T34
- TP-INT T35
- I2C2\_DA T36
- I2C2\_CL T37
- GND T18

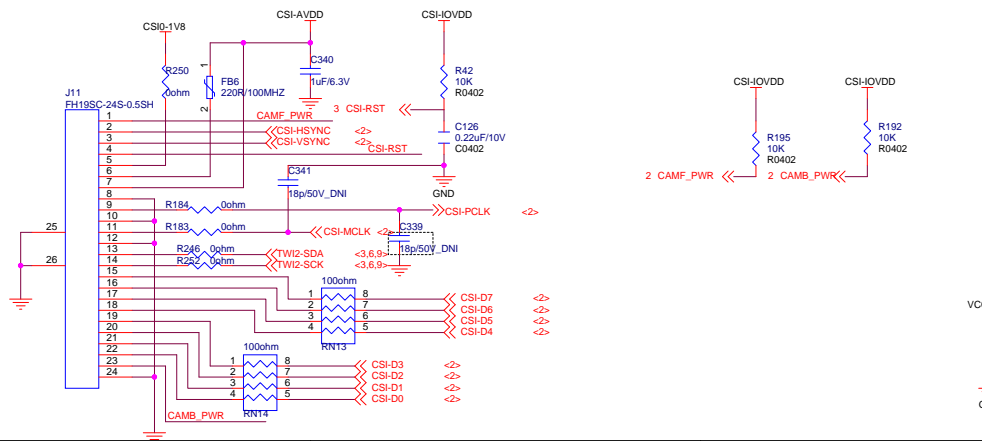
# CARD



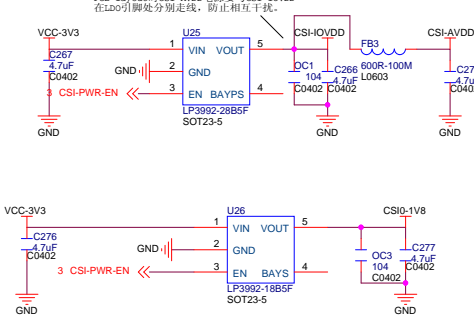
- TP1-TP3 <-3.6V>
- TP10-TP12 <-3.6V>
- TP1 <-3.6V>
- TP2 <-3.6V>
- TP3 <-3.6V>

# MISC

## CSI



PCB layout时CSI-AVDD电源要与CSI-IOVDD在I/O引脚处分别布线，防止相互干扰。



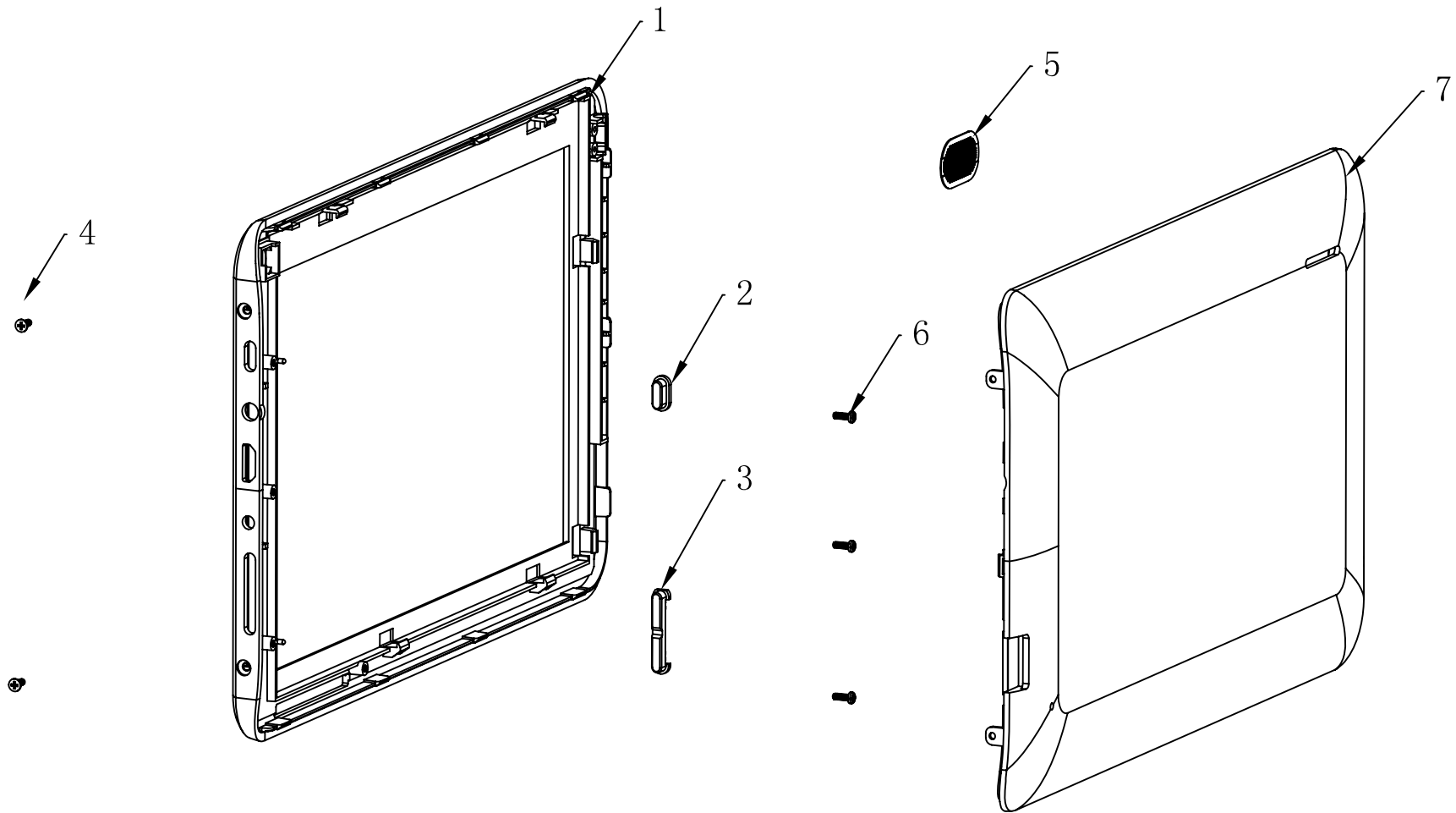
上海视升信息科技有限公司

13 USB WIFI-CAP TP

Rev V1.0

Document Number A702\_MB

Date: Saturday, November 10, 2012 1 Sheet 13 of 14



|    |      |               |       |     |      |    |      |         |      |     |    |            |
|----|------|---------------|-------|-----|------|----|------|---------|------|-----|----|------------|
| 7  | 底壳   |               | 黑色    | ABS | 1PCS |    |      |         |      |     |    |            |
| 6  | 螺丝   | PB1.4*4.0*2.5 | 黑色    | 碳钢  | 3PCS |    |      |         |      |     |    |            |
| 5  | 喇叭网  |               | 银色    | 尼龙网 | 1PCS |    |      |         |      |     |    |            |
| 4  | 螺丝   | KA1.4*5*2.8   | 黑色    | 碳钢  | 2PCS |    | 部品编号 |         | 视图方向 |     | 日期 | 2013-01-23 |
| 3  | 音量键  |               | 黑色    | ABS | 1PCS |    | 部品名称 | M718装配图 | 比例   | 1:1 | 设计 | 李观南        |
| 2  | 电源键  |               | 黑色    | ABS | 1PCS |    | 材质   |         | 单位   | M M | 审图 |            |
| 1  | 面壳   |               | 黑色    | ABS | 1PCS |    | 表面处理 |         | 图纸大小 | A4  | 批准 |            |
| 序号 | 部品名称 | 部品编号          | 型号/规格 | 材质  | 数量   | 备注 |      |         |      |     |    |            |

版本 A0



[www.s-manuals.com](http://www.s-manuals.com)