



The stainless steel (AISI 316) RC6 automatic rope/chain anchor winch is Maxwell's smallest version in the highly successful vertical RC Series Windlass Range.



RC6 Low Profile

Features and benefits

- The stainless steel (AISI 316) RC6 Series incorporates a chromed bronze chainwheel suitable for use with 6 mm/7 mm (1/4") chain spliced to 12 mm (1/2") three strand or 8-braid (plait) rope.
- The RC6 features Maxwell's revolutionary, and patented, Wave Design™ chainwheel. Refer below for more information about this innovative feature.
- Providing most of the features of the larger RC8 (refer pages 286 - 287), the RC6 has been designed with the smaller, trailer boat market in mind.
- The in-line, vertical gearbox and motor means quick and easy installation by either the boat yard or the DIY aftermarket customer.
 - An inexpensive, high performance and great looking windlass; the RC6 is built for durability and years of trouble free use.
 - The RC6 is a Low Profile unit (no optional capstan drum).

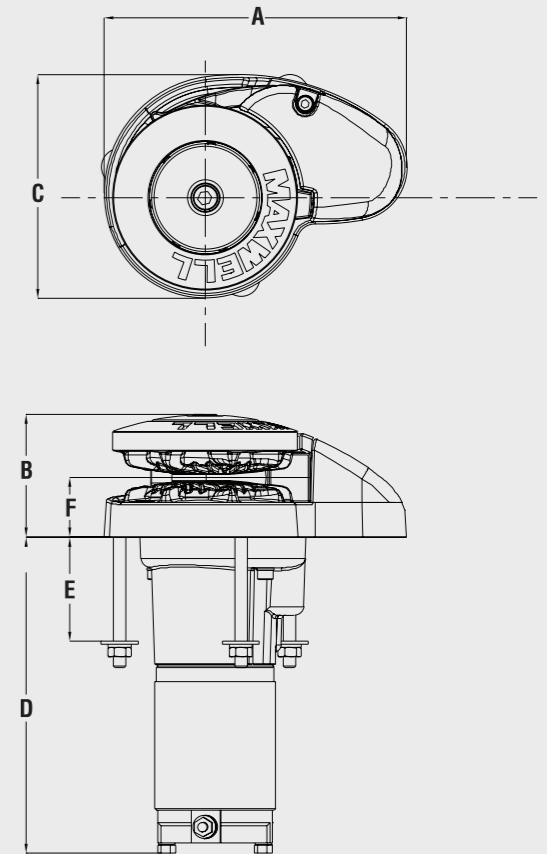
SPECIFICATIONS

Model	RC6
Maximum Pull/Lift	350 kg 770 lbs
Static Hold	700 kg 1540 lbs
Chain Short Link	6 mm/7mm 1/4"
Rope Size (Nylon)* (3 strand or 8 plait recommended)	12 mm 1/2"
Chain Speed (Anchor Retrieval)	24 m/min 79 ft/min
Rope Speed (Anchor Retrieval)	21 m/min 69 ft/min
Power Supply (DC)	12 or 24 V
Motor Power	500 W
Net Weight	8.5 kg 18.7 lbs

* refer to owners manual for rope size variations.

DIMENSIONS

Model	RC6
A	196 mm 7 3/4"
B	80 mm 3 3/16"
C	145 mm 5 3/4"
D	209 mm 8 1/4"
E	65 mm 2 1/2"
F	39 mm 1 9/16"



STANDARD EQUIPMENT REQUIRED FOR DUAL DIRECTION CONTROL

- Dual Direction Solenoid (included)
- Emergency 'free fall' activation lever (included)
- Up/Down remote control panel (not included)
- Circuit breaker/isolator panel (not included)

OPTIONS

- 1. AutoAnchor™ Equipment
- 2. Compact Remote
- 3. Foot Switches
- 4. Chain Stopper
- 5. Chain Snubber

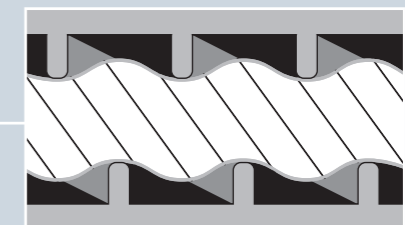
Every Maxwell RC6 automatic rope/chain windlass comes with top works, gearbox, motor and dual direction solenoid. Switches and circuit breaker are available and need to be ordered separately. Refer chart on page 314.

Important: Maxwell windlasses must be used in conjunction with a chain stopper or alternative snubbing device to take the load off the windlass while laying at anchor. The chain stopper and alternative snubbing system should also be used to secure the anchor in the fully raised position while under way.

MAXWELL'S REVOLUTIONARY CHAINWHEEL

Maxwell lead the market yet again in innovative thinking when they introduced the Wave Design™ chainwheel. This patented rope/chain wheel incorporates two unique design concepts that greatly improve the handling and control of the rope/chain spliced rode. The outer ribs of the chainwheel are angled slightly forward ensuring that the rope and the chain are smoothly guided in the wheel during anchor retrieval.

As the rope pulls into the wheel, the opposite facing inner ribs grip the rope in an undulating manner, securing the rope more firmly in a 'wave pattern' action that is far superior to the traditional 'jam cleat' manner of holding the rope compared to all other products on the market. Not only does this Wave Design™ hold the rope more securely, it is also kinder on the rope resulting in increased longevity of your anchor rode.



RC6 showing, "fast install", in-line vertical gearbox and motor





McLAY BOATS' 690

3 YEAR
Limited Warranty



RC8 Low Profile Version

- Unique spacer tube design allows installation through virtually any deck thickness and the multiple mounting positions and self aligning gearbox ensure optimal location of gearbox and motor in virtually all installation situations.
- The RC8 features Maxwell's revolutionary, and patented, Wave Design™ chainwheel. Refer RC6 page 285 for more information about this innovative feature.
- The heavy duty stainless steel (AISI 316) pressure arm is designed to effectively help grasp the rope/chain splice, giving the RC8 an unparalleled level of performance. In combination with a heavy duty, large wire diameter, stainless steel pre-loaded spring, the pressure arm always exerts maximum control pressure.
- The RC8 works just as effectively with all-chain rodes.
 - Huge, through deck hawse pipe throat ensures easy entry of the rope/chain rode into and out of the anchor locker.
 - Full disassembly capability of the topworks utilising only the handle provided and an Allen key.
 - Manual override and 'Free Fall', using the emergency crank/clutch handle provided.
 - Sealed oil bath and marine-grade hard anodised, alloy gearbox provides maximum output via a precision worm and worm wheel.

Features and benefits

- The stainless steel (AISI 316) RC8-6 Series incorporates a chromed bronze chainwheel, designed to effortlessly retrieve and deploy 6 mm/7 mm (1/4") chain spliced to 12 mm (1/2") three strand or 8-brait (plait) rope.
- The more powerful RC8-8 can be used with 8 mm (5/16") chain spliced to 16mm (5/8") three strand or 8-plait rope.
- The ingenious Wave Design™ rope/chain gypsy (chainwheel) is able to accommodate a wide range of chain pitch differences within the specified chain size diameters suitable for use with the RC8 Series.
- A sleek, Low Profile version and a fluted stainless steel capstan drum version, are available.
- Simple two piece installation saves time and money and allows easy retrofitting without disassembly of the windlass.



RC8 with gearbox and motor

SPECIFICATIONS

Model	RC8 (6/7 mm-1/4")	RC8 (8 mm-5/16")
Maximum Pull/Lift	350 kg 770 lbs	600 kg 1320 lbs
Static Hold	1200 kg 2640 lbs	1200 kg 2640 lbs
Chain Short Link	6 mm/7mm 1/4"	8 mm 5/16"
Rope Size (Nylon)* (3 strand or 8 plait recommended)	12 mm 1/2"	14 mm-16mm 9/16"-5/8"
Chain Speed (Anchor Retrieval)	28 m/min 92 ft/min	32 m/min 105 ft/min
Rope Speed (Anchor Retrieval)	24 m/min 79 ft/min	28 m/min 92 ft/min
Power Supply (DC)	12 or 24 V	12 or 24 V
Motor Power	600 W	1000 W
Net Weight	12.5 kg 27.5 lbs	16.5 kg 36.3 lbs

* refer to owners manual for rope size variations.

DIMENSIONS

Both Models	RC8 (6/7 mm-1/4")	RC8 (8 mm-5/16")
A	210 mm 8 5/16"	210 mm 8 5/16"
B1	83 mm 3 5/16"	83 mm 3 5/16"
B2 (with Capstan)	146 mm 5 3/4"	146 mm 5 3/4"
C	156 mm 6 3/16"	156 mm 6 3/16"
D	200 mm 7 7/8"	208 mm 8 1/4"
E	245 mm 9 5/8"	272 mm 10 3/4"
F	383 mm 15"	410 mm 16 1/4"
G (Std deck clearance) ^	65 mm 2 1/2"	65 mm 2 1/2"
H	40 mm 1 5/8"	40 mm 1 5/8"
I	66 mm 2 5/8"	66 mm 2 5/8"
J	44 mm 1 3/4"	44 mm 1 3/4"

^ extra deck clearance models available. Contact your Maxwell dealer.

STANDARD EQUIPMENT REQUIRED FOR DUAL DIRECTION CONTROL

- Dual Direction Solenoid (included)
- Emergency crank/clutch release handle lever (included)
- Up/Down remote control panel (not included)
- Circuit breaker/isolator panel (not included)

OPTIONS

1. AutoAnchor™ Equipment
2. Compact Remote
3. Foot Switches
4. Chain Stopper
5. Chain Snubber
6. Capstan model

Every Maxwell RC8 automatic rope/chain windlass comes with the top works, gear box, motor and dual-direction solenoid. Switches and circuit breaker are available and need to be ordered separately. Refer chart on page 314.

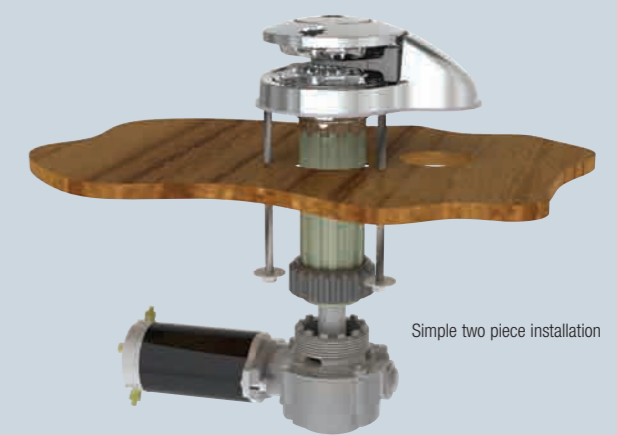
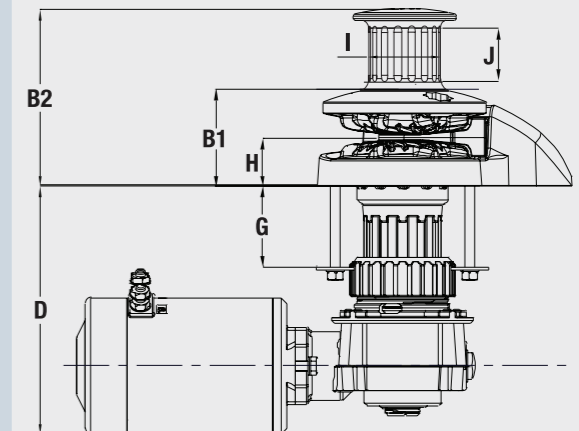
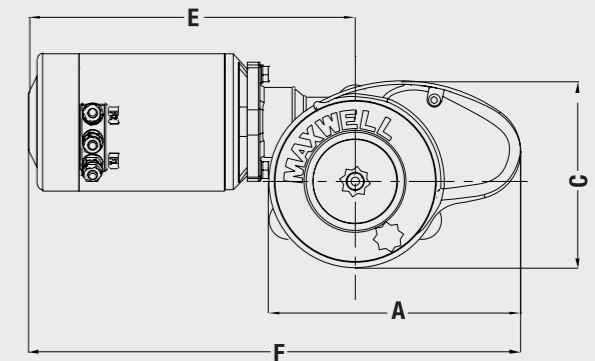
HEIGHT MATCHED CHAIN STOPPER

- For use with Maxwell's rope/chain vertical windlasses
- Height adjusted to most effectively align chain with the chainwheel
- No height adjustment plinth required
- Refer to page 309 for more information



Height Matched Chain Stopper

The stainless steel (AISI 316) RC8 Series of automatic rope/chain anchor winches are Maxwell's mid-range models in the highly success RC Series Windlass Range.



Simple two piece installation

Important: Maxwell windlasses must be used in conjunction with a chain stopper or alternative snubbing device to take the load off the windlass while laying at anchor. The chain stopper and alternative snubbing system should also be used to secure the anchor in the fully raised position while under way.





RC10 Low Profile Version



RC10 Capstan Version

3 YEAR
Limited Warranty

Features and benefits

- The stainless steel (AISI 316) RC10-8 Series incorporates a chromed bronze chainwheel, designed to effortlessly retrieve and deploy 8 mm (5/16") chain spliced to 14 mm (9/16") or 16mm (5/8") three strand or 8-braid (plait) rope.
- The more powerful RC10-10 can be use with 10mm (3/8") chain spliced to 16 mm (5/8") three strand or 8-braid (plait) rope.
- A sleek, Low Profile version and a fluted stainless steel capstan drum version, are available.
- Simple two piece installation saves time and money and allows easy retrofitting without disassembly of the windlass. Unique spacer tube design allows installation through virtually any deck thickness and the multiple mounting positions and self aligning gearbox ensure optimal location of gearbox and motor in virtually all installation situations.
- Full disassembly capability of the topworks utilising only the handle provided and an Allen key.

- The RC10 is manufactured from marine-grade 316 stainless steel and chromed bronze for long term durability. The heavy duty stainless steel pressure arm, coupled with the unique rope/chain gypsy, is designed to effectively grasp the splice between rope and chain, giving the RC10 an unparalleled level of performance.
- In combination with a heavy duty, large wire diameter, stainless steel pre-loaded spring, the pressure arm pivots on a trouble free bearing, thereby exerting maximum control pressure on the rode and splice.
- The RC10 works just as effectively with all chain rodes for those who desire a Low Profile, elegantly styled windlass on their foredeck.
- Huge, through deck hawse pipe throat ensures easy entry of the rope/chain rode into and out of the anchor locker.
- Cone type clutch/brake mechanism permits manual, 'Free Fall' anchoring.
- Sealed oil bath and marine-grade hard anodised, alloy gearbox provides maximum output via a precision worm and worm wheel.

SPECIFICATIONS

Model	RC10 (8 mm-5/16")	RC10 (10 mm-3/8")
Maximum Pull/Lift	700 kg 1540 lbs	850 kg 1870 lbs
Static Hold	1500 kg 3300 lbs	1500 kg 3300 lbs
Chain Short Link	8 mm 5/16"	10 mm 3/8"
Rope Size (Nylon)* (3 strand or 8 plait recommended)	14 mm - 16 mm 9/16"-5/8"	16 mm 5/8"
Chain Speed (Normal Working load)	24 m/min 79 ft/min	24 m/min 79 ft/min
Rope Speed (Normal Working load)	20 m/min 65 ft/min	20 m/min 65 ft/min
Power Supply (DC)	12 or 24 V	12 or 24 V
Motor (Watts)	1000 W	1200 W
Net Weight	19 kg 42 lbs	20 kg 44 lbs

* refer to owners manual for rope size variations.

DIMENSIONS

Model	RC10 (8 mm-5/16")	RC10 (10 mm-3/8")
A	230 mm 9 1/8"	230 mm 9 1/8"
B1	89 mm 3 1/2"	89 mm 3 1/2"
B2 (with capstan)	168 mm 6 5/8"	168 mm 6 5/8"
C	170 mm 6 3/4"	170 mm 6 3/4"
D	251 mm 10"	251 mm 10"
E	272 mm 10 3/4"	272 mm 10 3/4"
F	424 mm 16 3/4"	424 mm 16 3/4"
G (Std deck clearance) ^	100 mm 4"	100 mm 4"
H	43 mm 1 3/4"	43 mm 1 3/4"
I	66 mm 2 5/8"	66 mm 2 5/8"
J	44 mm 1 3/4"	44 mm 1 3/4"

^ extra deck clearance models available. Contact your Maxwell dealer.

Important: Maxwell windlasses must be used in conjunction with a chain stopper or alternative snubbing device to take the load off the windlass while laying at anchor. The chain stopper and alternative snubbing system should also be used to secure the anchor in the fully raised position while under way.

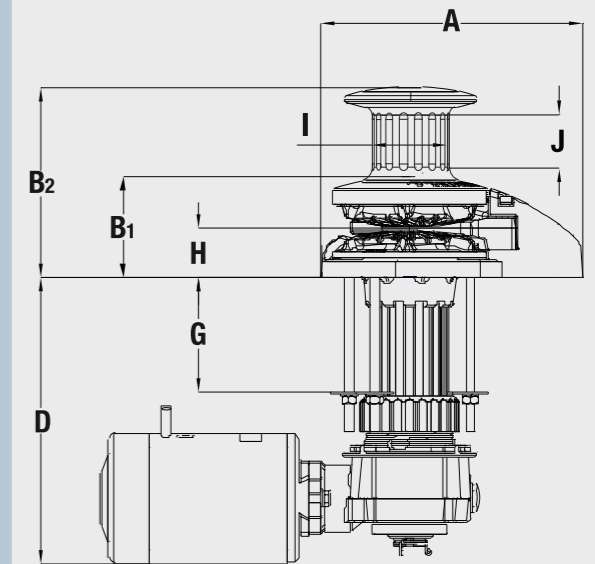
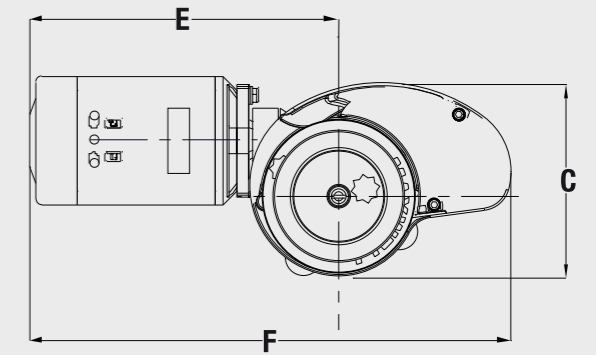
HEIGHT MATCHED CHAIN STOPPER

- For use with Maxwell's rope/chain vertical windlasses
- Height adjusted to most effectively align chain with the chainwheel
- No height adjustment plinth required
- Refer to page 309 for more information



Height Matched Chain Stopper

The stainless steel (AISI 316) RC10 Series of automatic rope/chain anchor winches are Maxwell's upper mid-range models in the highly successful RC Series Windlass Range.



STANDARD EQUIPMENT REQUIRED FOR DUAL DIRECTION CONTROL

- Dual Direction Solenoid (included)
- Emergency crank/clutch release handle lever (included)
- Up/Down remote control panel (not included)
- Circuit breaker/isolator panel (not included)

OPTIONS

1. AutoAnchor™ Equipment
2. Compact Remote
3. Foot Switches
4. Chain Stopper
5. Chain Snubber
6. Capstan model

Every Maxwell RC10 automatic rope/chain windlass comes with top works, motor/gear box and dual direction solenoid. Switches and circuit breaker are available and need to be ordered separately. Refer chart on page 314.





RC12 Low Profile Model

Features and benefits

- The RC12 fully automatic windlass series is designed to effortlessly retrieve and deploy 10 mm (3/8") short link chain and 16 mm (5/8") to 20 mm (3/4") three strand or 8-Plait rope (RC12-10) and 13 mm (1/2") short link chain and 16 mm (5/8") to 20 mm (3/4") three strand or 8-Plait rope (RC12-12).
- Stainless steel AISI 316.
- With a maximum pull of 1590 kg (3500 lb), and an anchor retrieval rate of 15 m/min (50ft/min), the RC12-12 is one of the fastest and gruntest windlasses in its class.
- A sleek, Low Profile version and a fluted stainless steel (AISI 316) capstan drum version, are available.
- The all new RC12 is packed with patented innovative features combined with Maxwell's traditionally classic aesthetics, but reflecting the modern "form follows function" of the highly successful RC6, RC8 and RC10 series windlasses.
- The elegantly designed deckplate and chainpipe cover are manufactured in polished marine-grade (AISI 316) stainless steel, as are the heavy duty pressure arm, stripper, chainwheel and fluted capstan drum.
- The huge, through deck hawse pipe throat ensures easy entry of the rope/chain rode into and out of the anchor locker.
- Double cone-type brake/clutch mechanism permits 'Free Fall' anchoring. Cone clutches, unlike dog clutches, provide smooth progressive engagement, ensuring safe and precise operator control.
- The RC12 features Maxwell's revolutionary and patented new Wave Design™ chainwheel. Refer to RC6 page for more information about this innovative feature.
- Emergency manual retrieval is made simple and easy with Maxwell's unique "Active Latch Ratchet System" operation that prevents backwind of the windlass during manual hauling of the anchor.
- The Maxwell designed, all new and innovative black, hard anodised gearbox provides numerous advantages:
 - Fast and easy windlass installation
 - More corrosion resistant
 - Easy to maintain and service
 - Takes up less room in the anchor locker
 - 75:1 Ratio (RC12-10) or 100:1 Ratio (RC12-12), single stage design with less moving parts, for smoother and quieter operation
 - Allows for multi-positioning of the gearbox/motor.

The RC12 Series incorporates Maxwell's latest stylish innovation in automatic rope/chain windlass technology. Retaining the classic open design styling more appropriate on larger boats, the RC12-10 and RC12-12 represent the next generation of rope/chain windlass evolution in every respect.

SPECIFICATIONS

Model	RC12 (10/11 mm-3/8")	RC12 (12/13 mm-1/2")
Maximum Pull/Lift	1134 kg 2500 lbs	1590 kg 3500 lbs
Static Hold	2200 kg 4840 lbs	2200 kg 4840 lbs
Chain Short Link**	10/11 mm 3/8"	12/13 mm 1/2"
Rope Size (Nylon)** (3 strand or 8 plait recommended)	16-20 mm 5/8-3/4"	20 mm 3/4"
Chain Speed (at normal working load)	20 m/min 65 ft/min	15 m/min 50 ft/min
Rope Speed (at normal working load)	17 m/min 56 ft/min	13 m/min 43 ft/min
Power Supply (DC)	12 or 24 V	12 or 24 V
Motor Power	1200 W	1200 W
Net Weight - DC (Capstan version)	32 kg 71 lbs	32 kg 71 lbs
Net Weight - DC (Low Profile version)	29 kg 64 lbs	29 kg 64 lbs
Hydraulic Pressure	138 bar 2000 PSI	138 bar 2000 PSI
Hydraulic Flow	42 l/min 11 USgal/min	42 l/min 11 USgal/min
Net Weight - Hyd (Low Profile) (Capstan version)	23 kg/ 51 lbs 26 kg/ 57 lbs	23 kg/ 51 lbs 26 kg/ 57 lbs

** When ordering please specify your specific rope and chain, combination rode

DIMENSIONS

Model	RC12 (10 mm-3/8")	RC12 (12/13 mm-1/2")
A	293 mm 11 5/8"	293 mm 11 5/8"
B ¹ (Low Profile version)	128 mm 5 1/8"	128 mm 5 1/8"
B ² (Capstan version)	233 mm 9 1/4"	233 mm 9 1/4"
C	206 mm 8 1/8"	206 mm 8 1/8"
D (Std deck clearance)	210 mm 8 3/8"	210 mm 8 3/8"
E	294 mm 11 5/8"	294 mm 11 5/8"
F	482 mm 19"	482 mm 19"
G (Std deck clearance)	90 mm 3 5/8"	90 mm 3 5/8"
H	54 mm 2 1/4"	54 mm 2 1/4"
I	106 mm 4 1/4"	106 mm 4 1/4"
J	62 mm 2 1/2"	62 mm 2 1/2"

STANDARD EQUIPMENT REQUIRED

- FOR DUAL DIRECTION CONTROL**
- Dual Direction Solenoid (included)
 - Emergency (manual) retrieval handle (included)
 - Clutch release handle (included)
 - Up/Down remote control panel (not included)
 - Circuit breaker/isolator panel (not included)

OPTIONS

1. AutoAnchor™ Equipment
2. Compact Remote
3. Foot Switches
4. Chain Stopper
5. Chain Snubber
6. Capstan model

Every Maxwell RC12 automatic rope/chain windlass comes with top works, motor/gear box and dual direction solenoid. Switches and circuit breaker are available and need to be ordered separately. Refer chart on page 314.

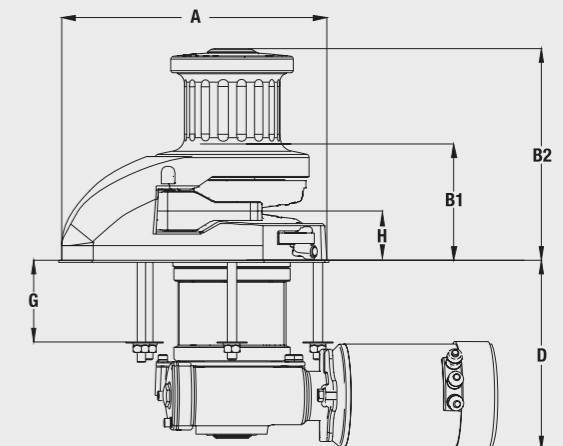
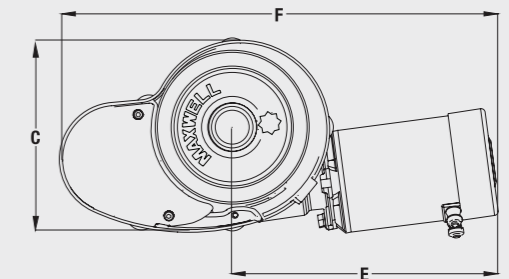
HEIGHT MATCHED CHAIN STOPPER

- For use with Maxwell's rope/chain vertical windlasses
- Height adjusted to most effectively align chain with the chainwheel
- No height adjustment plinth required
- Refer to page 309 for more information



Height Matched Chain Stopper

Important: Maxwell windlasses must be used in conjunction with a chain stopper or alternative snubbing device to take the load off the windlass while laying at anchor. The chain stopper and alternative snubbing system should also be used to secure the anchor in the fully raised position while under way.



Activation of the ratcheted mechanism lever ensures the windlass can not backwind during emergency (manual) retrieval of the rode (rope and/or chain) and anchor.



3 YEAR
Limited Warranty

