

TBC[®]

presents

BEWARE OF THE PEDESTAL



SURGE GUARD[®]
RV Power Protection

www.SurgeGuard.com

Bumper to Bumper Power Protection

Surge Guard® - Don't Plug In Without It!



Your RV is at the Mercy of the Power Pedestal and Surge Protection Is Not Enough Protection!

Poor power quality entering your RV can not only affect the longevity of your electronic equipment and motors, but can cost you thousands of dollars in repairs and create frustrating, unnecessary travel delays. Surge protection in and around the home is commonplace in today's world. Surges, however, are not the only dangers to your electronic equipment. The quality of power entering a home is generally consistent; however, the same can not be said for RV parks. Power quality in RV parks is subject to vast fluctuations and is dependent upon many factors. Intensity of electrical loads placed on an RV park, weather conditions, faulty wiring and undersized or deteriorating electrical connections affect the quality of power entering your RV. With today's RV containing sophisticated and sensitive electronics, a few short seconds of faulty power can wipe out appliances within the coach such as stereos, satellites, microwaves, televisions and refrigerators.

Surge Guard® Bumper to Bumper Power Protection

TRC's Surge Guard family of power protection devices are designed to protect your RV's electrical system and sophisticated electronics from the dangers of faulty electrical power. A variety of Surge Guard products protect your RV from:

- High/Low Voltage
- Open Neutral
- Miswired Pedestals
- Surges

These Surge Guards (except Models 44750, 44260, 44270 and 41260) remove power if the voltage level drops below 102V or rises above 132V. Once the voltage resumes within these parameters, power is restored to the RV with a time delay to allow for AC head pressure bleed off. Surge Guard monitors for faulty wiring from the power pedestal and protects from reverse polarity and the dangers of an open neutral condition. Multi mode surge protection eliminates the potential for power surges to enter the RV through power cables during electrical storms. Surge Guard is available in portable or hardwire configurations.

Surge Guard Automatic Transfer Switch Family

Surge Guard's full line of robust Automatic Transfer Switches also includes RVC compatible devices. The ATS models transfer to generator power automatically when energized. When both shore power and generator power are available, generator dominates after a 30 second delay. Once the generator is shut down, shore power activates. Automatic Transfer Switch models are available with maximum spike current from 26,400A - 130,000A, and surge suppression from 2600 Joules - 3350 Joules. Some ATS models offer optional remote displays.

SURGE GUARD®

RV Power Protection



Surge Guard® 30A & 50A Surge Protectors

Surge Guard® 30A Portable

Model 44260

120V, 30A
10/3 AWG Cord

Model 44270

120/240V, 50A
6/4 AWG Cord

Model 44750

With Ground Fault Protection
120V, 30A
10/3 AWG Cord

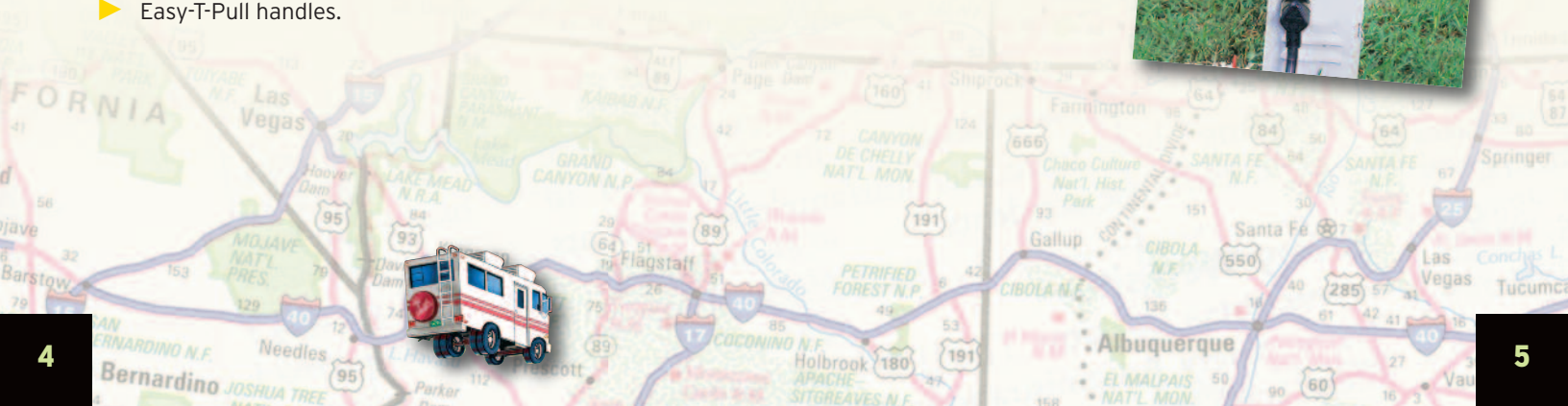


Perfect for Pop-ups
and Travel Trailers

- ▶ Automatically shuts off the power when ground faults are present.
- ▶ Requires manual reset after a ground fault.
- ▶ Weather resistant.
- ▶ Convenient plug handles.
- ▶ Most economically priced protection.
- ▶ 510 Joules of power surge protection.
- ▶ 8mA trip level.
- ▶ Easy-T-Pull handles.

Perfect for Pop-ups and Travel Trailers

- ▶ Identifies faulty park power plus offers surge protection.
- ▶ Analyzes circuits to verify pedestal power.
- ▶ Indicators illuminate to show power status.
- ▶ Tests for and indicates:
 - Open ground
 - Open neutral
 - Correct polarity
- ▶ 2100 Joules of power surge protection (Model 44260).
- ▶ 4200 Joules of power surge protection (Model 44270).
- ▶ Easy-T-Pull handles.



Surge Guard® 30A & 50A Portables

Model 34730 with LCD Display

120V, 30A
10/3 AWG Cord

Model 34750 with LCD Display

120/240V, 50A
6/4 AWG Cord



- ▶ Automatic reset on power restoration.
- ▶ Automatically shuts off the power when the following is present:
 - Open neutral
 - Low (<102V) and High (>132V) Voltage
- ▶ Continuously Monitors for:
 - Voltage and Amp Draw (RMS)
 - Reverse polarity (miswired pedestal, elevated ground voltage)
- ▶ LCD Display (English)
- ▶ 128 second reset delay protects A/C compressor.
- ▶ 2450 Joules of power surge protection (Model 34730).
- ▶ 3850 Joules of power surge protection (Model 34750).
- ▶ Easy-T-Pull handles.

Surge Guard® 30A & 50A Hardwires

Model 34520

120V, 30A



Model 34560

120/240V, 50A



Optional



Optional

- ▶ Automatic reset on power restoration.
- ▶ Automatically shuts off the power when the following is present:
 - Open neutral
 - Low (<102V) and High (>132V) Voltage
- ▶ Multi-mode surge suppression.
- ▶ Caution indicator light indicates:
 - Miswired pedestal
 - Reverse polarity
 - Elevated ground voltage
- ▶ 128 second reset delay protects A/C compressor.
- ▶ 2450 Joules of power surge protection (Model 34520).
- ▶ 3850 Joules of power surge protection (Model 34560).
- ▶ Easy installation
- ▶ Optional Remote Power Monitor LCD Display (p/n 40298) (sold separately) Not compatible with models that do not have a telecom jack.
 - Joystick for easy screen navigation
 - Plug and Play



Surge Guard® 50A Hardwire

Model 40240



RV Power Protection
120/240V, 50A, 60 Hz



- ▶ Protects RV bumper to bumper from faulty park power.
- ▶ Remote LCD display
 - Plain English
 - Voltage and current indication
 - Fault identification
- ▶ Multi-mode surge suppression (fuse protected).
- ▶ Protects against:
 - Low (<102V) and High (>132V) Voltage
 - Miswired pedestal
 - Open neutral
 - Open ground
 - High/low frequency
 - Reverse polarity
- ▶ Auto reset on power restoration
- ▶ 2 minute 15 second reset delay protects A/C compressor
- ▶ 3350 Joules of power surge protection.

Basic 30A & 50A Automatic Transfer Switches

Model 41300

120V, 30A, 60Hz



Model 40100

120/240V, 50A, 60Hz



- ▶ 30A Model 41300 has proprietary electrical interlock.
- ▶ 50A Model 40100 has mechanical interlocking contactors.
- ▶ Time delay at power up.
- ▶ Transfers to generator power automatically when energized after 30 second delay. When both shore power and generator power are available, generator dominates after a 30 second delay. Once the generator is shut down, shore power activates after a 3-4 second delay.
- ▶ Dual contactor arrangement.

Surge Guard® Automatic Transfer Switch

Surge Guard® 50A RVC Automatic Transfer Switch

Model 41260

with Limited RV Power Protection
120/240V, 50A, 60 Hz



Model 40250-RVC

RVC Compatible
with Full RV Power Protection
120/240V, 50A, 60 Hz



Optional

- ▶ Protects RV bumper to bumper from faulty park power.
- ▶ Provides the following protection:
 - Open neutral
 - Reverse polarity
- ▶ Multi-mode surge suppression.
- ▶ Time delay at power up (shore 3-4 sec., gen. 30 sec.).
- ▶ Mechanical interlocking contactors.
- ▶ UL Approved ATS - full transfer switch rating, UL1008.
- ▶ 50A, FLA contactor.
- ▶ 2600 Joules at 76,400 Amps.

- ▶ RVC communication allows instant display of voltage, current and fault conditions on an RVC compatible device.
- ▶ Total electrical protection from faulty park and generator power. Provides the following protection:
 - Multi-mode surge suppression (fuse protected)
 - Low (<95V) and High (>132V) Voltage
 - Mis-wired pedestal
 - Open neutral
 - Open ground
 - Reverse polarity
 - High and low frequency
- ▶ Optional 2-line plain English display with continuous visual indication of source voltage, load current or diagnostics. (Display p/n 40272, Cable p/n 40258, sold separately)
- ▶ Lights on front of ATS indicate the presence of input power for L1 and L2.
- ▶ Transfers to generator power automatically when energized after 30 second delay in generator mode. When both shore power and generator power are available, generator dominates after a 30 second delay. Once the generator is shut down, shore power activates after a 3-4 second delay.
- ▶ 65A, FLA full-rated contactor.
- ▶ UL Approved ATS - full transfer switch rating, UL1008.
- ▶ 3350 Joules of power surge protection.

Surge Guard® 90A RVC Automatic Transfer Switch

Model 41290-RVC

RVC Compatible
with Full RV Power Protection
120/240V, 90A, 60 Hz



Optional

- ▶ RVC communication allows instant display of voltage, current and fault conditions on an RVC compatible device.
- ▶ Total electrical protection from faulty park power. Provides the following protection:
 - Multi-mode surge suppression (fuse protected)
 - Low (<95V) and High (>132V) Voltage
 - Mis-wired pedestal
 - Open neutral
 - Open ground
 - Reverse polarity
 - High and low frequency
- ▶ Optional 2-line plain English display with continuous visual indication of source voltage, load current or diagnostics. (Display p/n 40272, Cable p/n 40258, sold separately)
- ▶ Transfers to generator power automatically when energized after 30 second delay. When both shore power and generator power are available, generator dominates after a 30 second delay. Once the generator is shut down, shore power activates after a 3-4 second delay.
- ▶ Oversize contactors 95A, FLA.
- ▶ 3350 Joules of power surge protection.

30A & 50A Voltage Regulators



Model 10176

120V, 30A

- ▶ For use on single phase, 2-wire services.

Optional

Model 10175

120/240V, 50A

- ▶ For use on split phase, 3-wire services.
- ▶ Can be used on 120/208V, 3-wire network.

These voltage regulators do not protect against faults or surges.

FEATURES

- ▶ 10% Voltage Increase
- ▶ Open Neutral tolerant
- ▶ Heavy duty transformer
- ▶ LED status lights indicate:
 - ▶ Open Neutral
 - ▶ Under Voltage
 - ▶ Over Voltage
 - ▶ Phase Reversal
 - ▶ Operating Mode

BENEFITS

- ▶ Continuously monitors line voltage conditions.
- ▶ Increases voltage to provide a very stable regulated and reliable source of power to the coach or travel trailer.
- ▶ Helps prevent low voltage damage to appliances
- ▶ Fully automatic.
- ▶ Optional mounting bracket for inside the RV (p/n 29649, sold separately).

Surge Guard® Lock Hasp

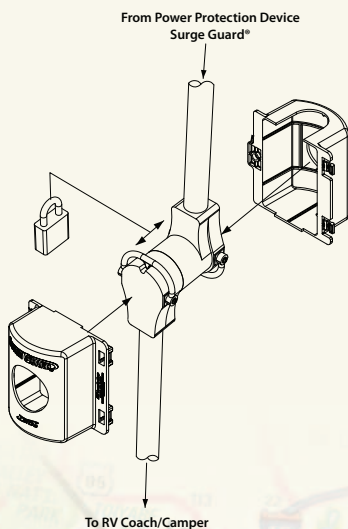
Model 34590



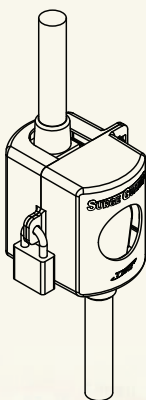
(Lock not included)

- ▶ Prevents unauthorized removal of your Surge Guard electrical protector from your RV.
- ▶ Fits all portable Surge Guard models and Surge Guard Voltage Regulators.
- ▶ Easily attaches to standard 30A & 50A plugs.

Unassembled



Assembled



ELECTRA CHECK® Power Monitors Digital Monitor

Model AECM20020



- ▶ Fully tests incoming power for for:
 - Open ground
 - Reverse polarity
 - High/Low voltage
- ▶ Three display modes available:
 - Alternating voltage and frequency (VOLT/FREQ.)
 - Voltage only (VOLTAGE)
 - Frequency only (FREQUENCY)
- ▶ Accurate testing and monitoring of all AC power source types.
- ▶ RMS voltage and frequency meter.
- ▶ Multi-tone fault alarm.
- ▶ Hands-free auto reset.
- ▶ Advanced microelectronics.
- ▶ One-button operation.
- ▶ Wiring diagnostics.
- ▶ LCD display with LED backlight.
- ▶ UL Listed.



Select the level of protection your RV needs.



	30A Portable 44750	30A Portable 44260	50A Portable 44270	30A Portable with LCD 34730	30A Hardwire 34520	50A Portable with LCD 34750	50A Hardwire 34560	50A Hardwire 40240
Over/Under Voltage (Input)				●	●	●	●	●
Open Neutral Protection (Input)				●	●	●	●	●
Reverse Polarity Protection (Input)				●	●	●	●	●
Miswired Pedestal Indication		●	●	●	●	●	●	●
Ground Fault Protection	●							
Dangerous Current on Ground Wire Indication (Input)				●	●	●	●	
Time Delay at Power Up				128 Sec.	128 Sec.	128 Sec.	128 Sec.	2 min. 15 sec.
Remote LCD Display					Optional		Optional	●
Built-In LCD Display				●		●		
Weather Resistant	●	●	●	●		●		
UL Listed					●		●	●
Source Power Connection Diagnostics								●
Lock Hasp Available	●	●	●	●		●		
Cord Gauge	10/3	10/3	6/4	10/3	N/A	6/4	N/A	N/A
Electrical Rating	120V, 30A	120V, 30A	120/240V, 50A	120V, 30A	120V, 30A	120/240V 50A	120/240V 50A	120/240V 50A
Surge Suppression (Joules)	510	2,100	4,200	2,450	2,450	3,850	3,850	3,350
Max Spike Current	1,250A	N/A	N/A	6,500A	6,500A	6,500A	6,500A	130,000A

Compare Automatic Transfer Switches

Select the level of protection your RV needs.

30A Basic ATS 41300



50A Basic ATS 40100



50A Limited Protection 41260



50A Full Protection 40250-RVC



90A Full Protection 41290-RVC



	30A Basic ATS 41300	50A Basic ATS 40100	50A Limited Protection 41260	50A Full Protection 40250-RVC	90A Full Protection 41290-RVC
Over/Under Voltage (Input)				●	●
Open Neutral Protection (Input)			●	●	●
Reverse Polarity Protection (Input)			●	●	●
Miswired Pedestal Indication				●	●
Ground Monitoring				●	●
Time Delay at Power Up (3-4 sec.)	●	●	●	●	●
Remote Display				Optional	Optional
Current (Amps) Measurement				●	●
Safety Certified	●	●	●	●	●
Source Power Connection Diagnostics				●	●
Generator Dominant	●	●	●	●	●
Mechanical Interlocking Contactors		●	●	●	●
Proprietary Electrical Interlock	●				
Electrical Rating	120V, 30A	120/240V, 50A	120/240V, 50A	120/240V, 50A	120/240V, 90A
Surge Suppression (Joules)	N/A	N/A	2,600	3,350	3,350
Max Spike Current	N/A	N/A	76,400A	130,000A	130,000A
Contactor Rating	30A, FLA	50A, FLA	50A, FLA	65A, FLA	95A, FLA
Safety Certified Standard	ETL	ETL	UL 1008	UL 1008	UL 1008



Your RV Is At The Mercy Of The Power Pedestal

**Surge Guard Protects
Your RV Against:**

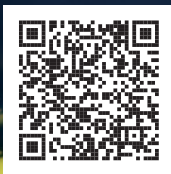
▼
Power Surges

▼
Over/Under Voltage

▼
Mis-wired Pedestal

▼
Open Neutral

Available in 120V, 30A and 120/240V, 50A Portables and
Hardwires and 120/240V, 50A and 90A RVC Compatible
Automatic Transfer Switches



A Subsidiary of Coleman Cable, Inc.

4525 140th Avenue North, Suite 900, Clearwater, Florida 33762

(727) 530-9580 • Fax (727) 530-7375

(800) 780-4324

productinfo@trci.net

www.SurgeGuard.com



**Surge Guard and Electra Check technology
designed and engineered in the USA.**

Electra Check is a trademark of Technology Research Corporation.
Surge Guard and TRC are registered trademarks of Technology Research Corporation.
Copyright ©2013 Coleman Cable Inc.

