



# COLOR DIGITAL WIRELESS INDOOR/OUTDOOR ACCESSORY MOTION CAMERA

## LW2301AC1 SERIES - QUICK START GUIDE

Before you install the camera, carefully plan where and how it will be positioned, and where you will route the cable that connects the camera to the power adaptor.

### CONTENTS:



Digital Wireless Color Camera with Stand



Wireless Antenna for camera



Mounting Hardware kit



Power Adaptor for camera\*



Quick Start Guide

\*May not be exactly as shown

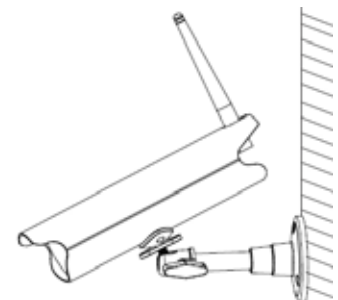
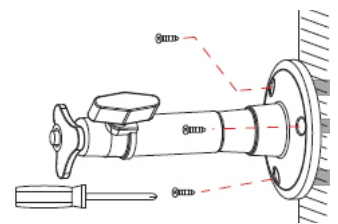
## INSTALLATION WARNINGS

- Mount the camera indoors or outdoors. For outdoor installation, mount it in a sheltered place where it is not directly exposed to rain or snow.
- Aim the Cameras to best optimize the viewing area: Select a location for the camera that provides a clear view of the area you want to monitor, which is free from dust, and is not in line-of-sight to a strong light source or direct sunlight.
- Avoid installing the cameras where there are thick walls, obstructions, or interference (i.e. transformers, microwave ovens or other electrical equipment) between the Cameras and the Receiver.
- Select a location for the camera that has an ambient temperature between 14°F~122°F [-10°C~50°C]
- Before starting permanent installation, have another person hold the camera for you while you verify its performance by observing the image on a monitor.

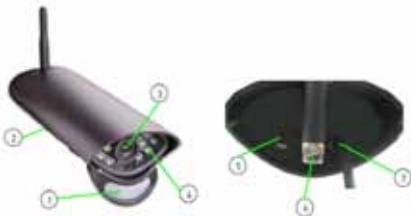
## INSTALLING THE CAMERA

1. Carefully unpack the Camera.
2. Mount the stand to the wall:
  - Mark the position of the screw holes on the wall.
  - Drill holes and insert the drywall plugs as needed.
  - Firmly attach the stand to the wall using the provided screws.
3. Attach the Antenna to the Camera prior to mounting.
4. Place the camera in the desired mounting position. Tighten the thumbscrews to secure the camera to the Stand. Adjust the angle of the camera until the desired view is set.

**NOTE: AVOID INSTALLING IN A LOCATION WHICH REQUIRES THE WIRELESS SIGNAL TO PASS THROUGH CEMENT, CONCRETE AND METAL STRUCTURES. THIS WILL REDUCE THE TRANSMISSION RANGE.**



## CAMERA OVERVIEW



1. **PIR Sensor:** Passive IR motion sensor for more accurate motion recording.
2. **Microphone:** Built-in microphone underneath camera body.
3. **Lens:** Camera lens.
4. **Night Vision IR:** Night vision IR LEDs used for viewing in complete darkness.
5. **Pair:** Pairing button.
6. **Antenna:** Wireless antenna.
7. **Power Cable:** Connect the included power adapter to the cable extending from the camera.



# COLOR DIGITAL WIRELESS INDOOR/OUTDOOR ACCESSORY MOTION CAMERA

## LW2301AC1 SERIES - QUICK START GUIDE

### CONNECTING CAMERA POWER ADAPTOR

Connect one end of the camera Power Adaptor to the camera and the other end to an electrical outlet.



Connect power adaptor to local 120V AC power outlet

### ADDING THE ACCESSORY CAMERA TO YOUR SYSTEM



Pairing Button



1. Press **MENU** on the wireless receiver or remote control.
2. From the Main Menu, select **Pairing** and press the **Enter** button.
3. Select **Camera 2**, **Camera 3** or **Camera 4** and press the **Enter** button.
4. Following the on-screen prompt, press the **Pair** button on the rear panel of the camera. You have 30 seconds to press the **PAIR** button on the camera. Once paired, the camera will be immediately displayed on-screen.

**NOTE:** If you do press the Pair button on the camera during the 30 second pairing window, repeat steps 1~4 to try the pairing process again.

The Pairing Function assigns each camera to a different channel on the wireless receiver (connect up to 4 Cameras), and is necessary for configuring additional cameras. By default the camera that came with the LW2301 system is assigned to channel no. 1.

**NOTE:** It is highly recommended to pair the Accessory Camera to the Receiver before permanently mounting the camera. For detailed information, please check the owners manual for the LW2301 system available at [www.lorexctv.com](http://www.lorexctv.com)

#### It's all on the Web

For detailed setup information, please refer to your User's Manual. For additional information, please visit our website

[www.lorextechnology.com](http://www.lorextechnology.com)

