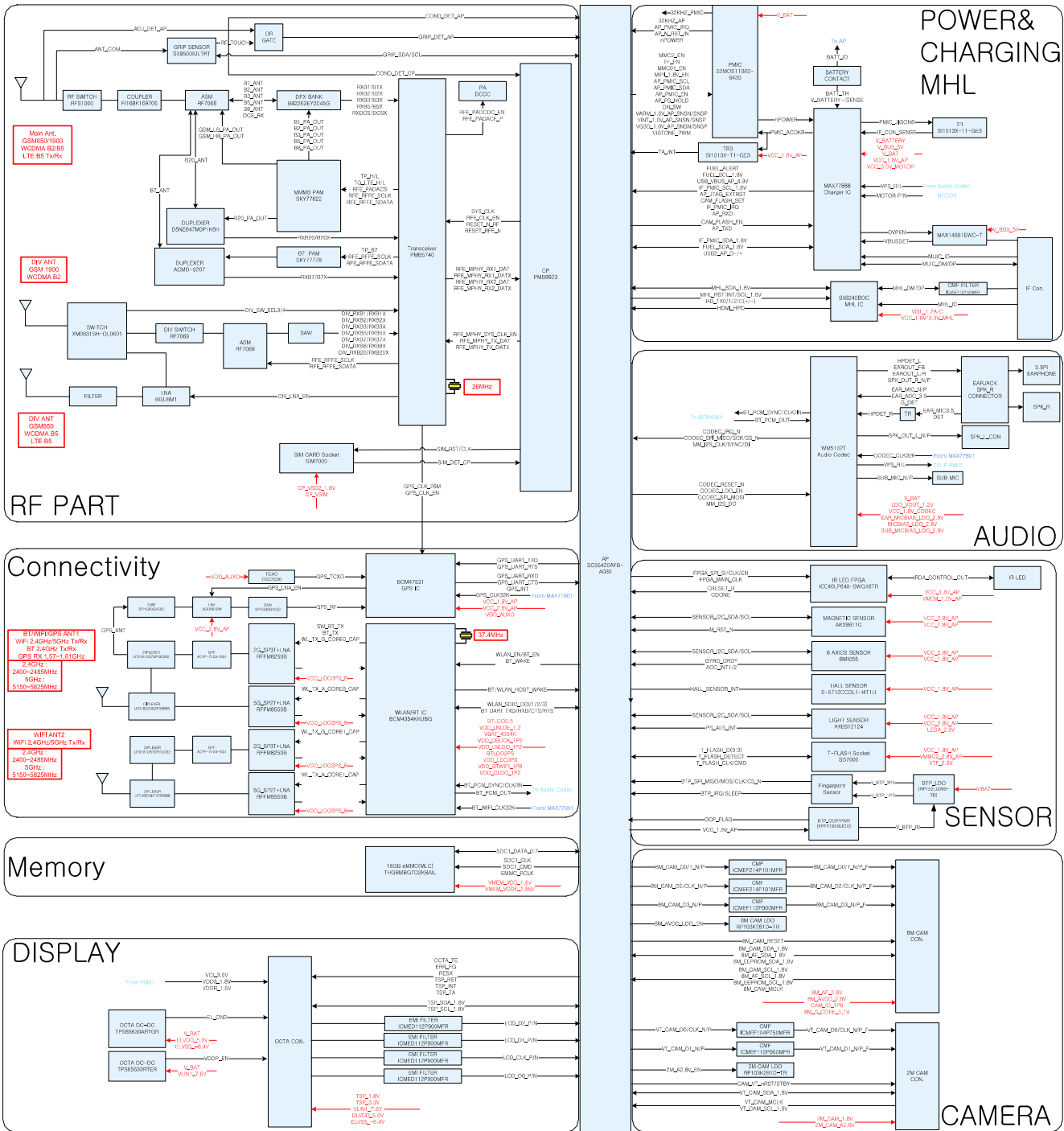


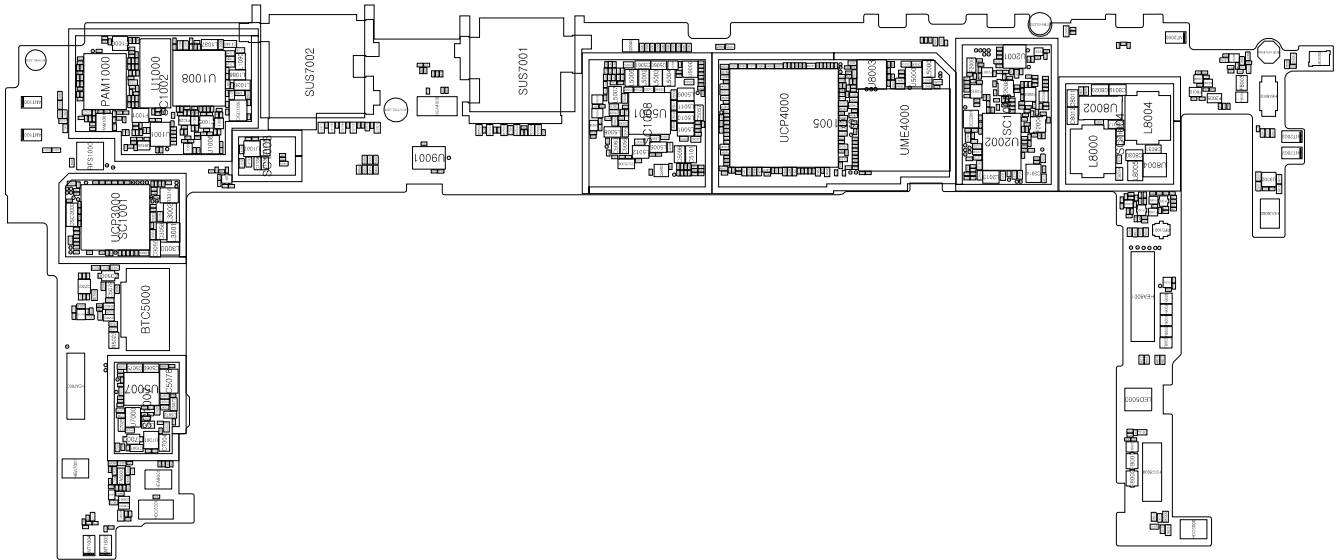
8. Level 3 Repair

8-1. Block Diagram

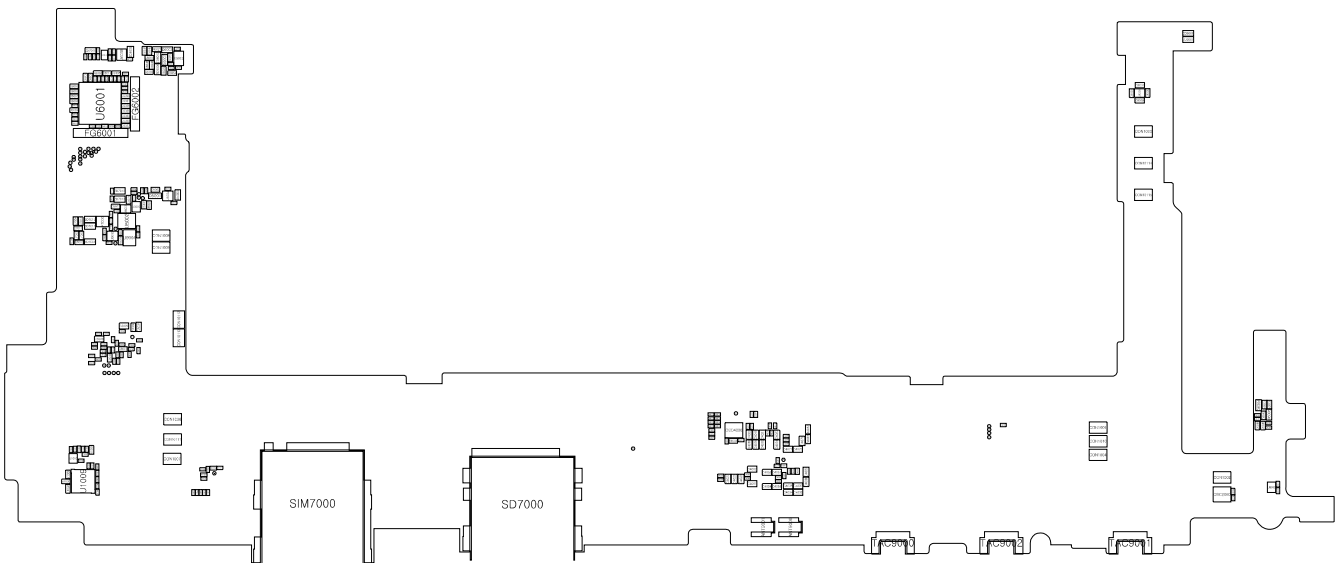


8-2. PCB Diagrams

8-2-1. Main PCB Top

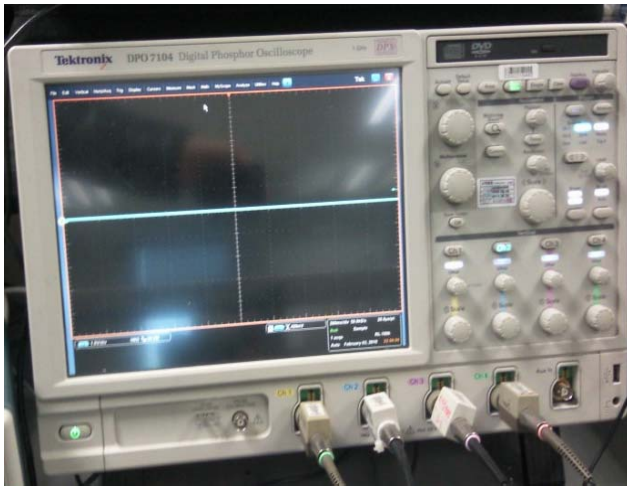


8-2-2. Bottom



8-3. Flow Chart of Troubleshooting

Equipments



↑ Oscilloscope



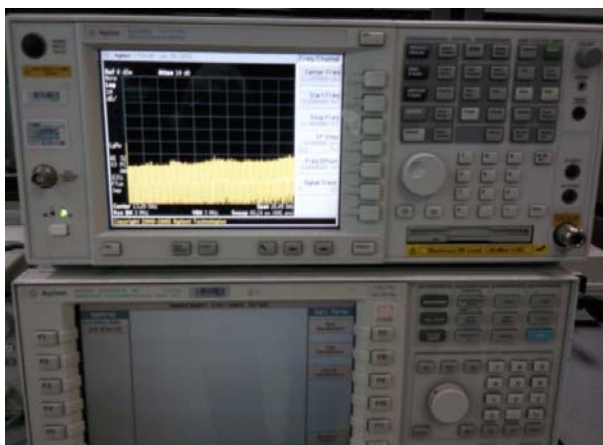
↑ Digital Multimeter



↑ Power Supply



↑ + driver, ESD Safe Tweezer

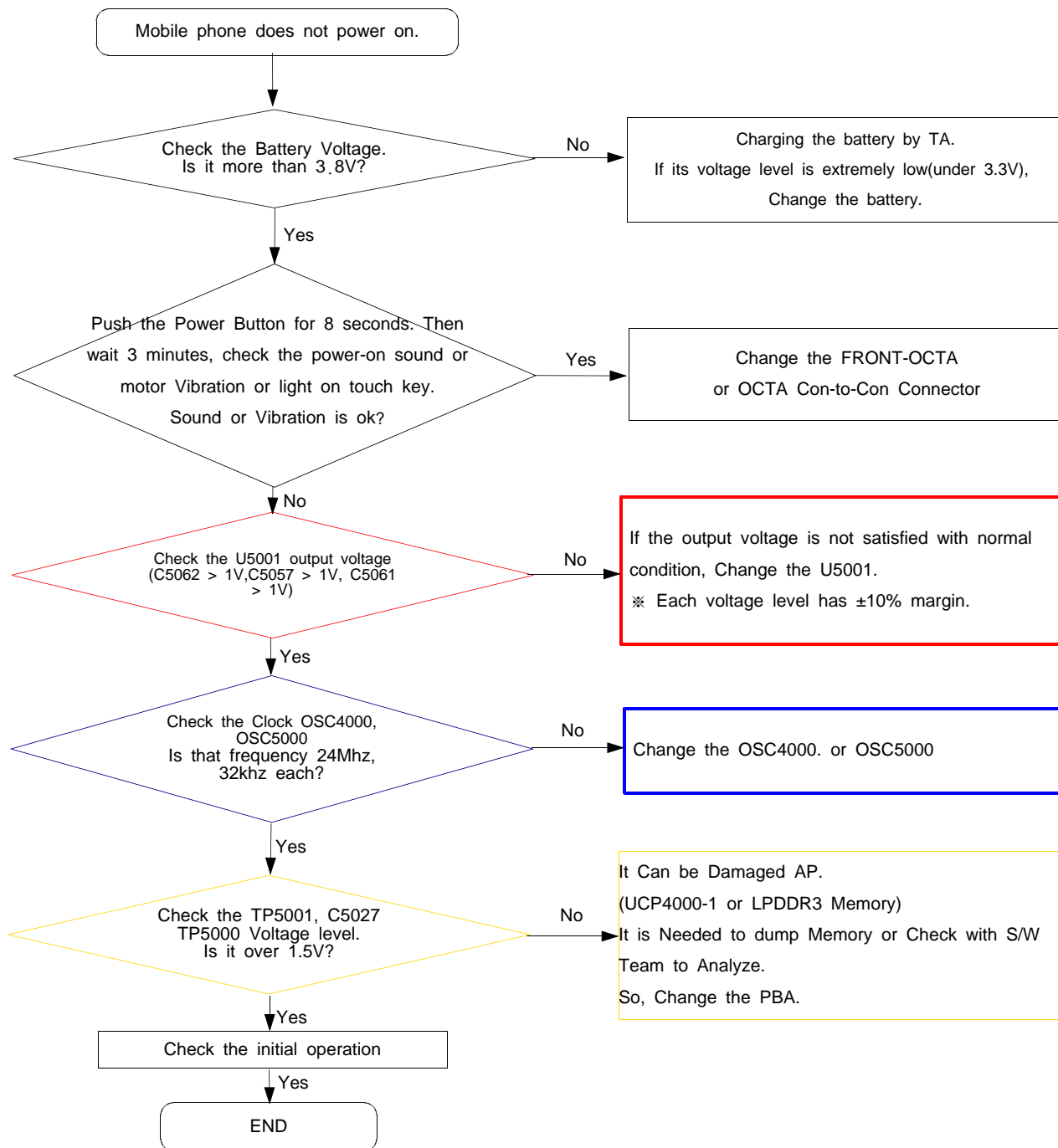


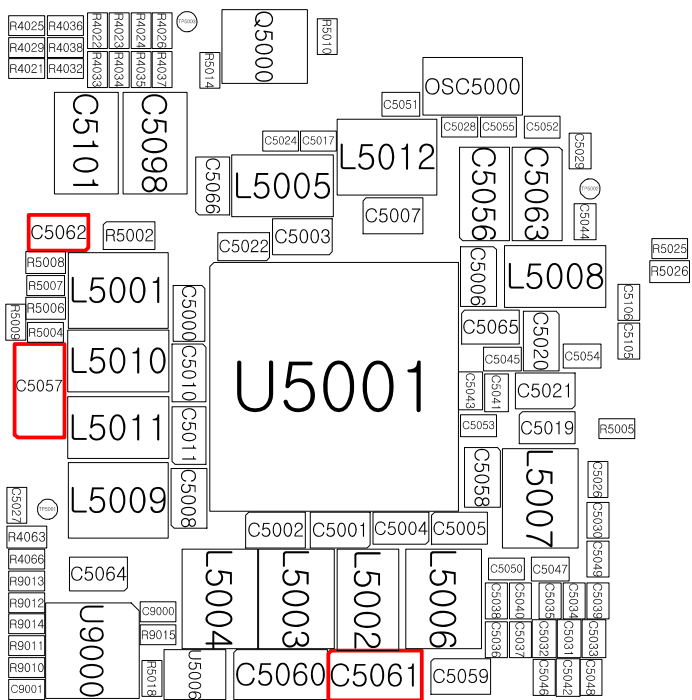
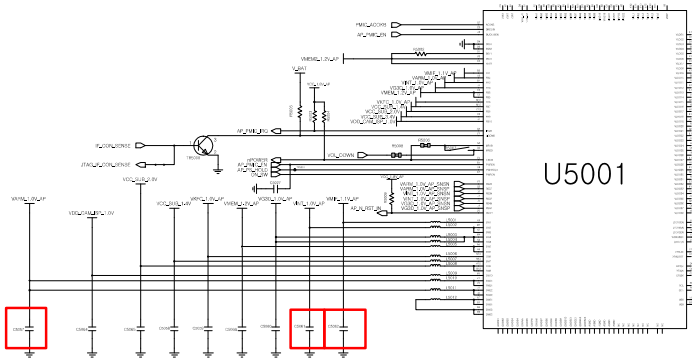
↑ 8960 & Spectrum Analyzer

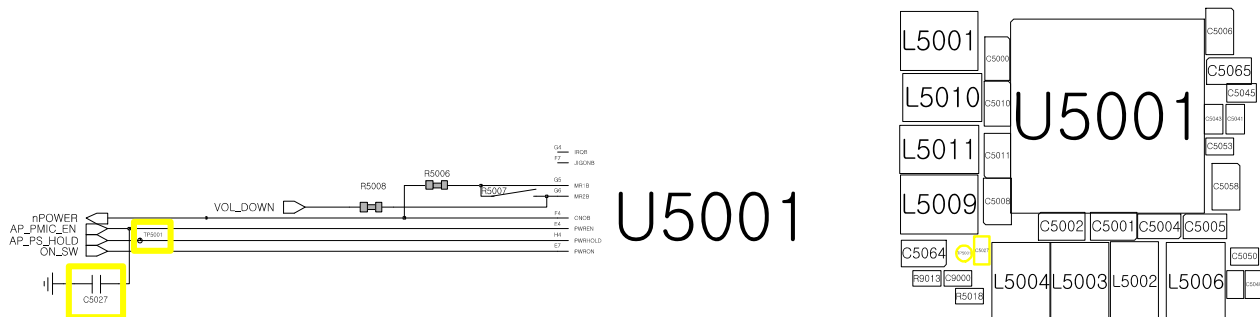
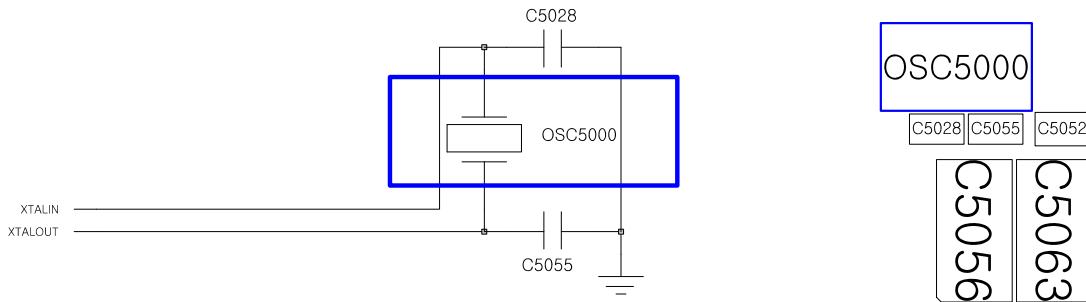
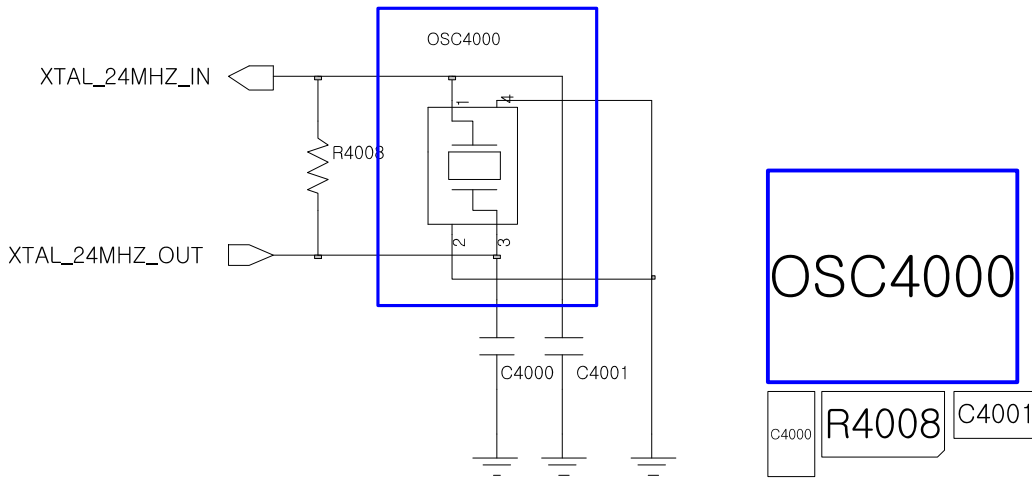


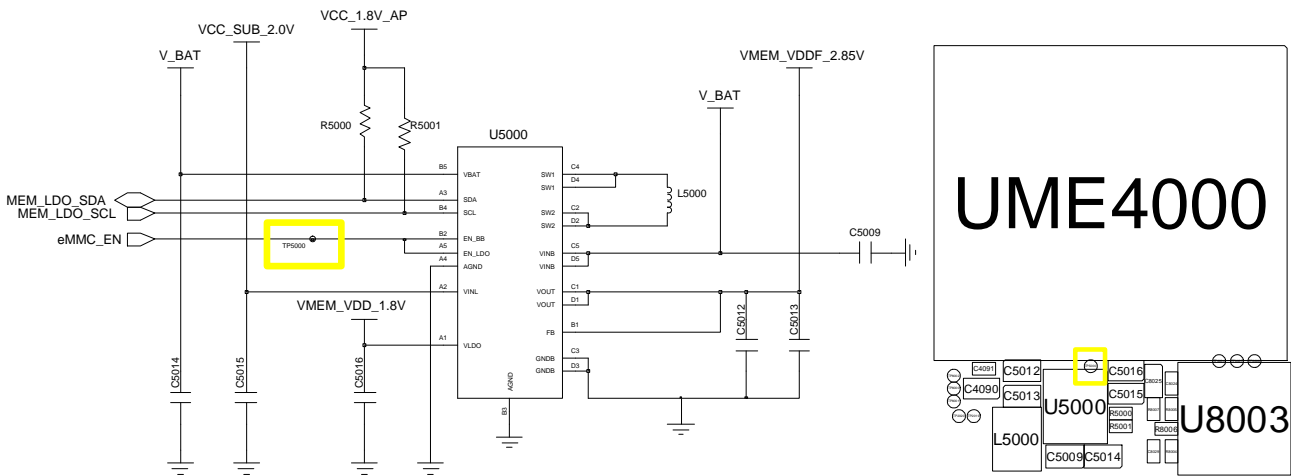
↑ Soldering iron

8-3-1. Power On

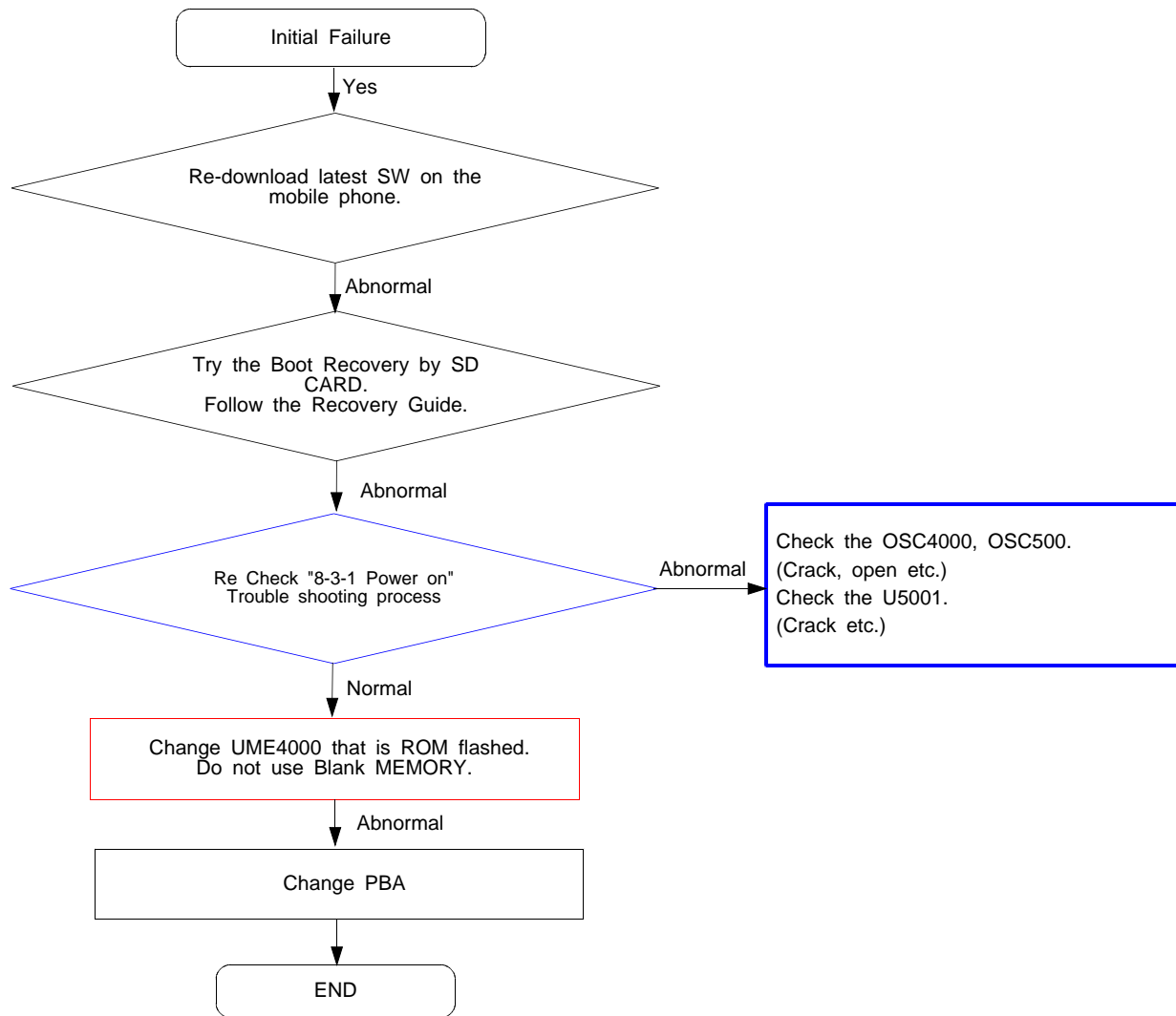


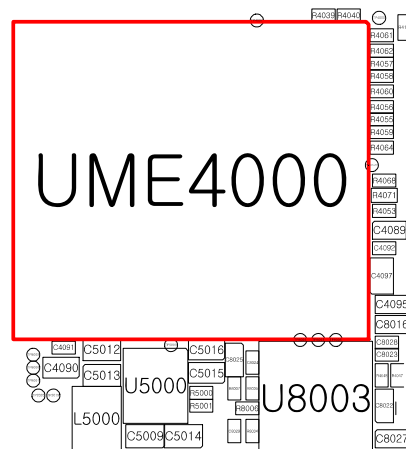
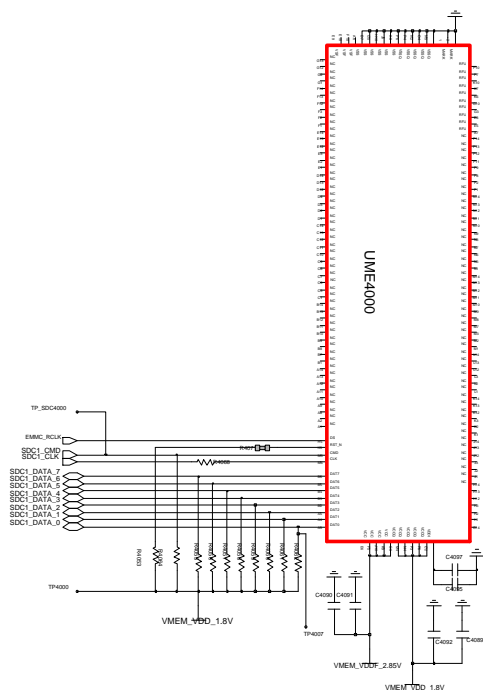
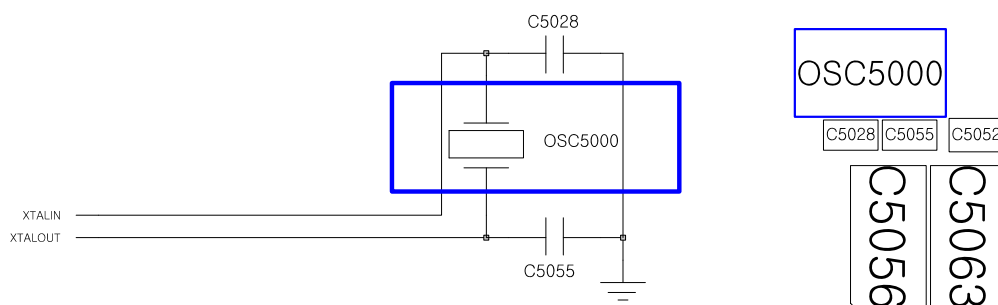
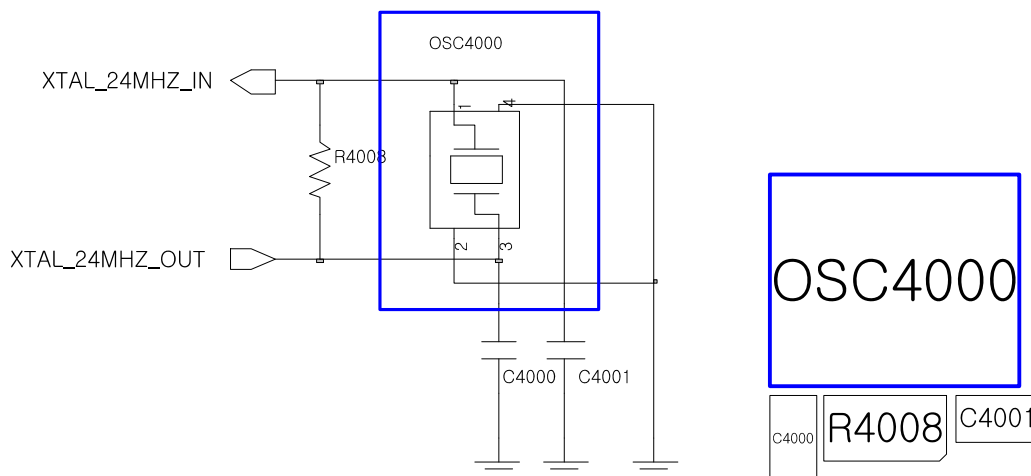




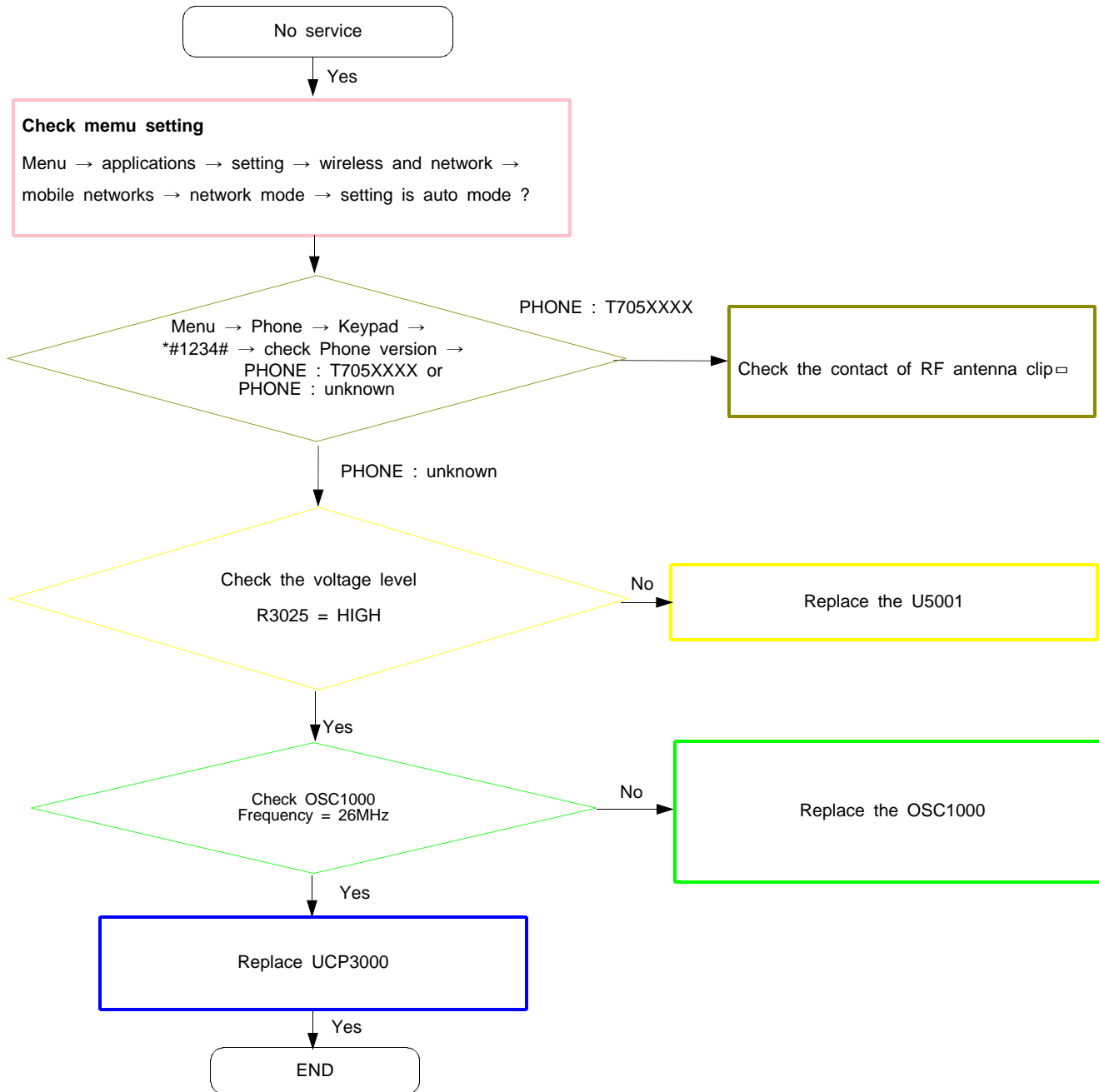


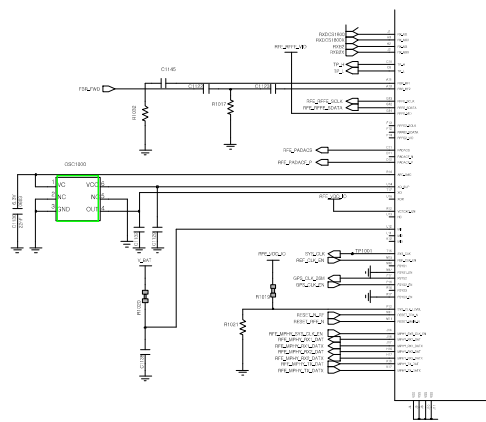
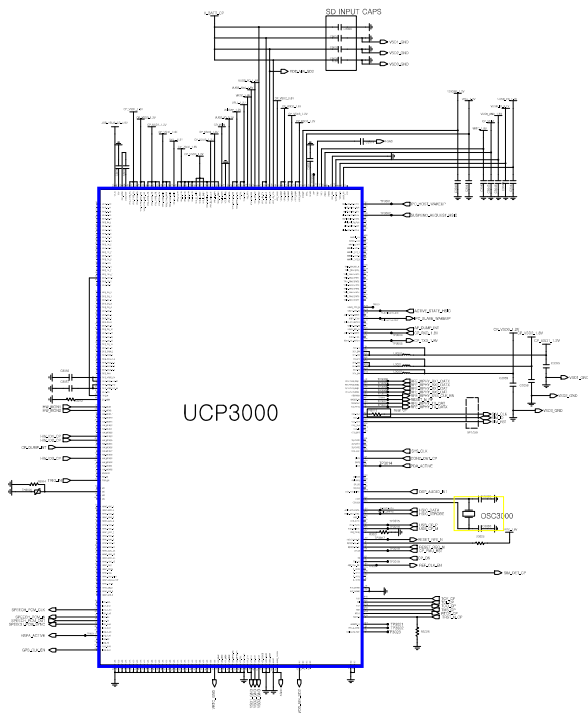
8-3-2. Initial

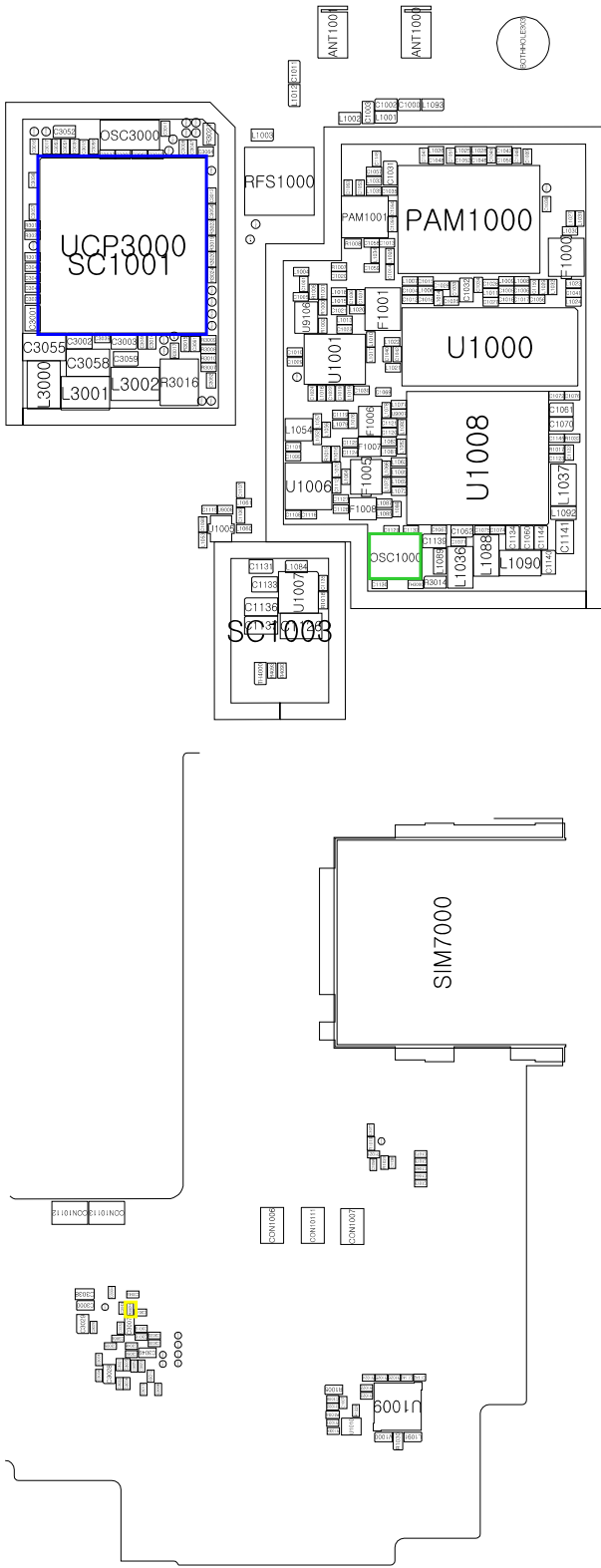




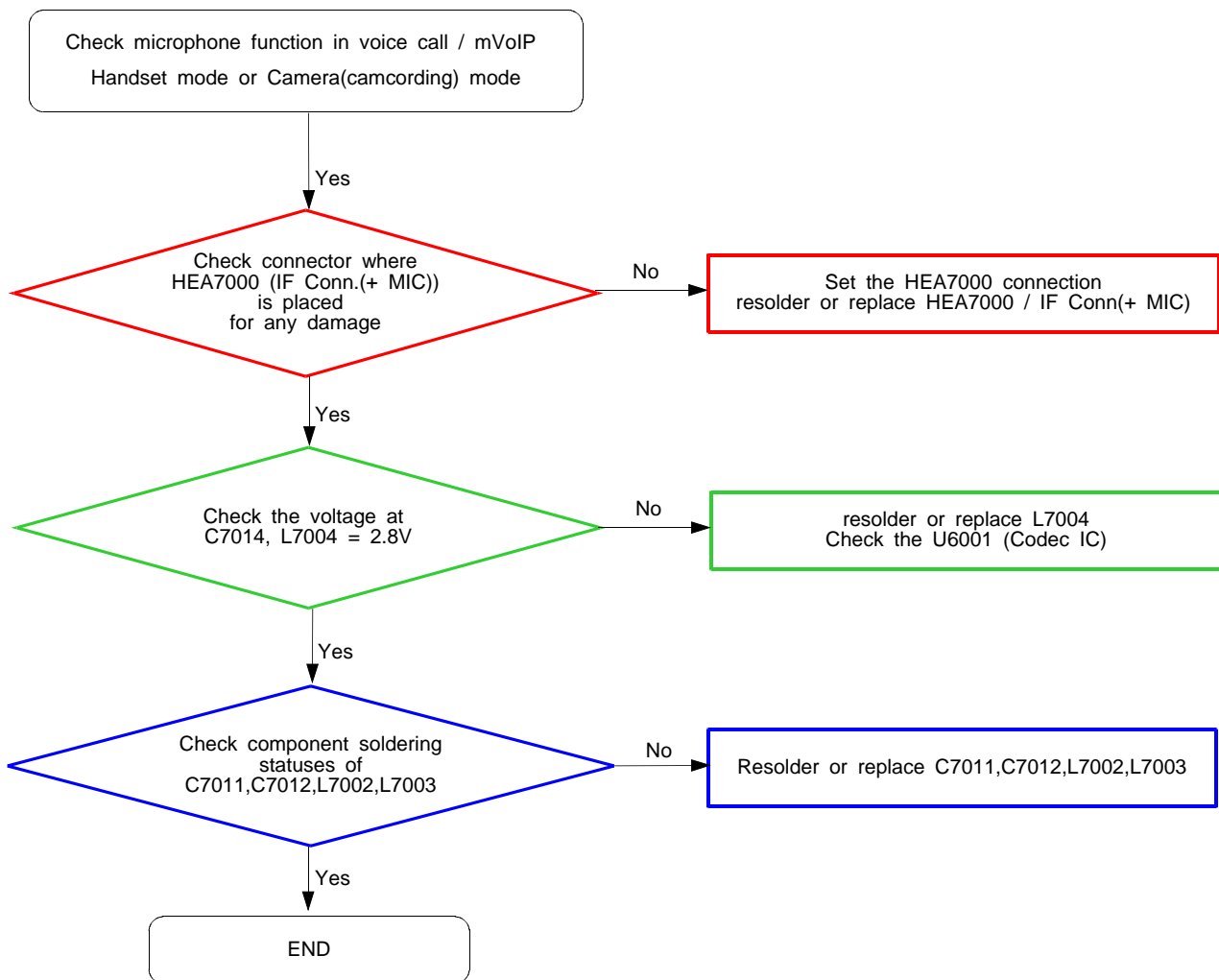
8-3-3. No Service

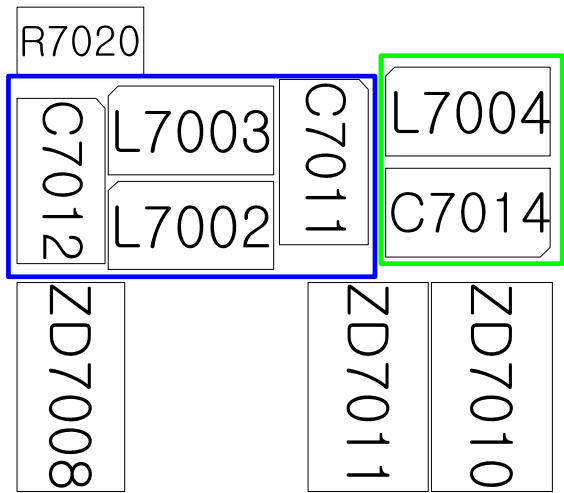
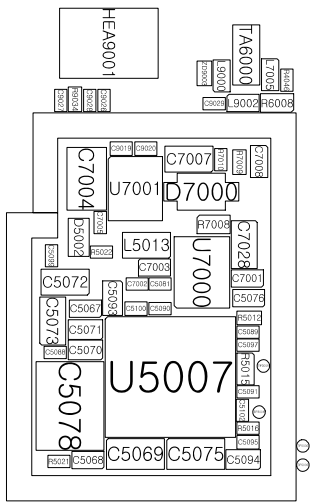
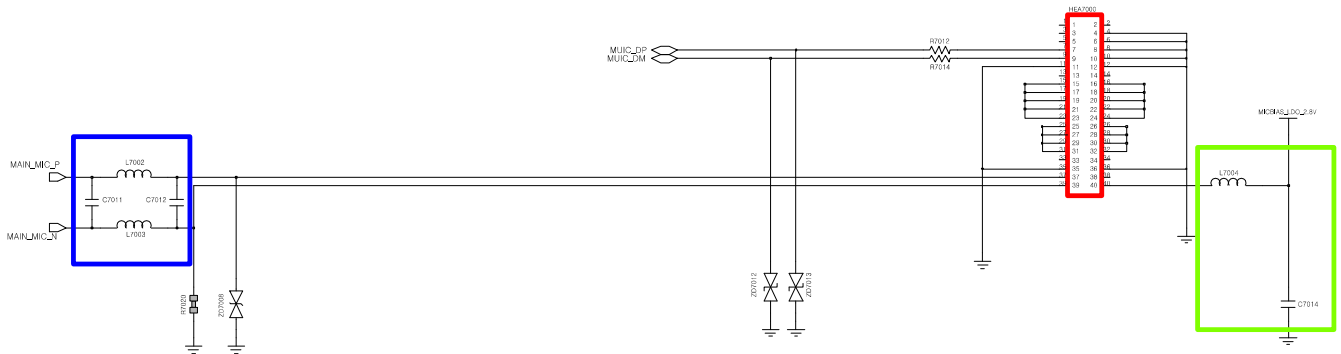




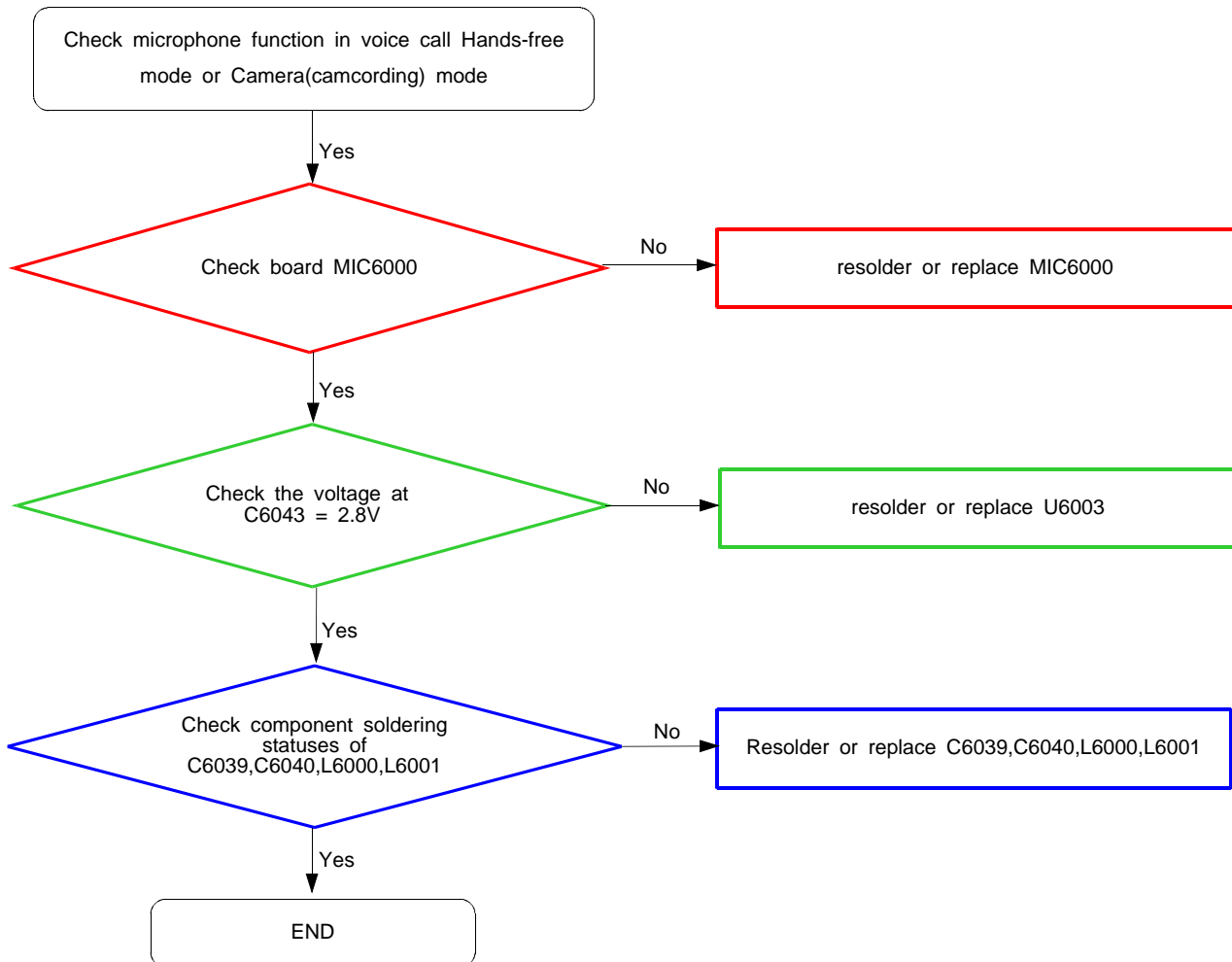


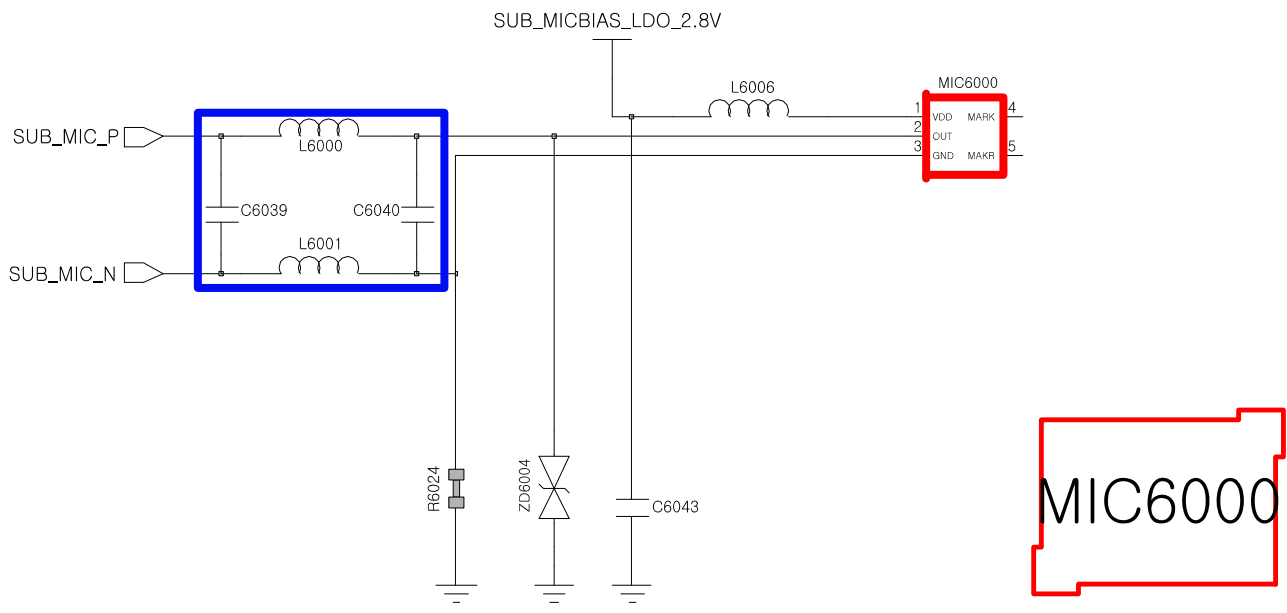
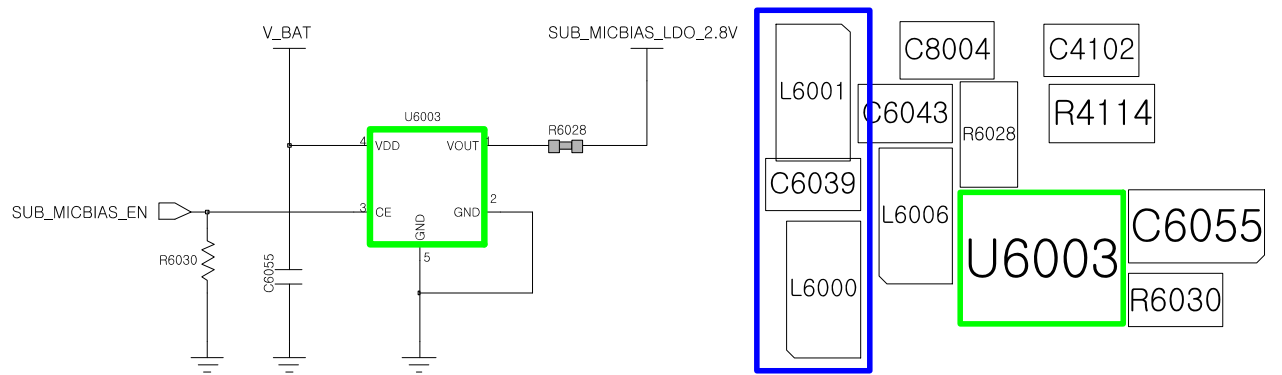
8-3-4-1 Main Microphone Part



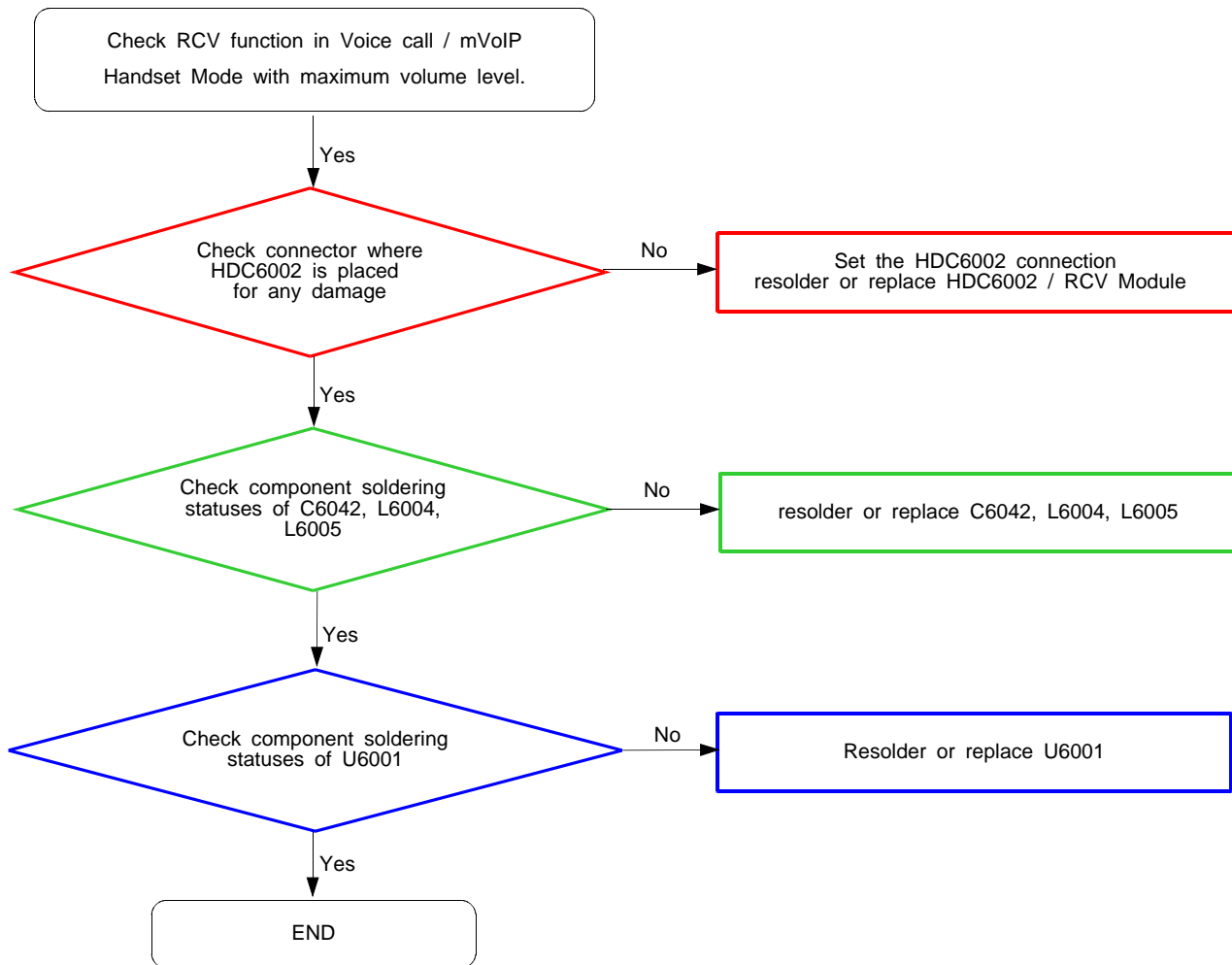


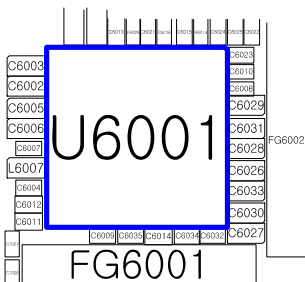
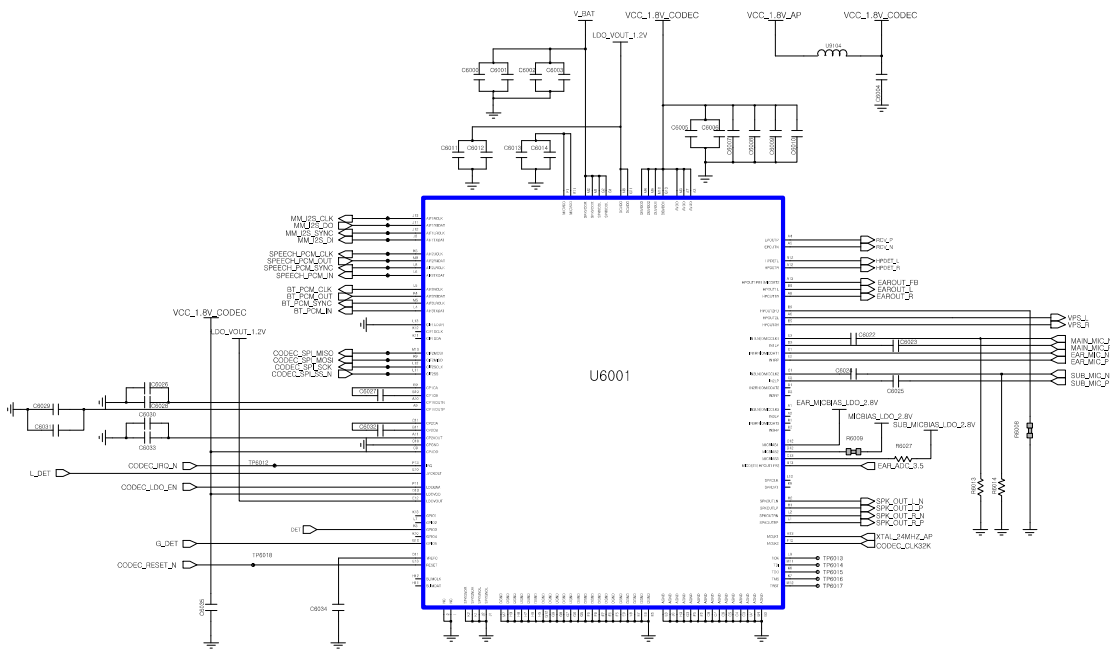
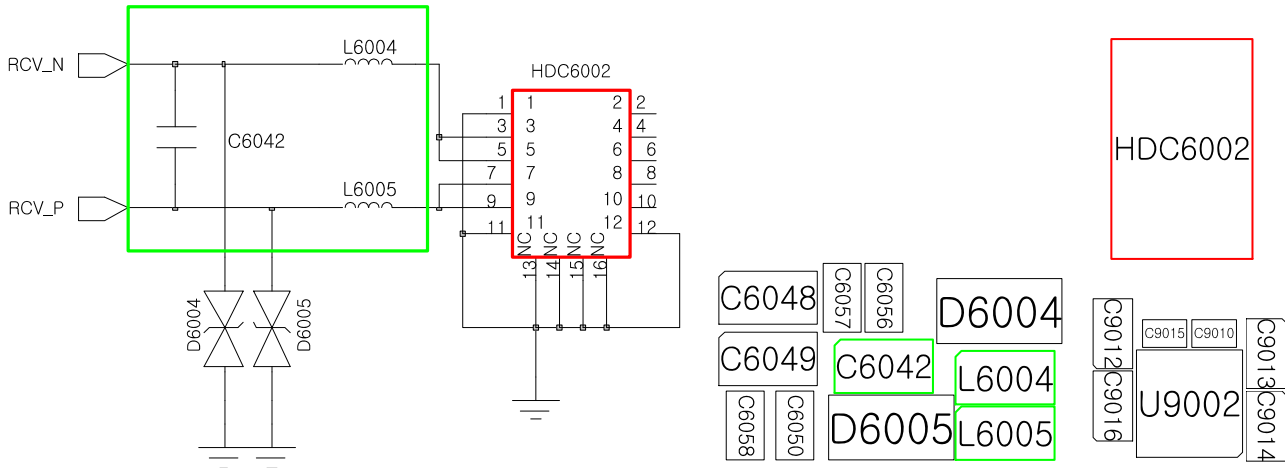
8-3-4-2 SUB Microphone Part



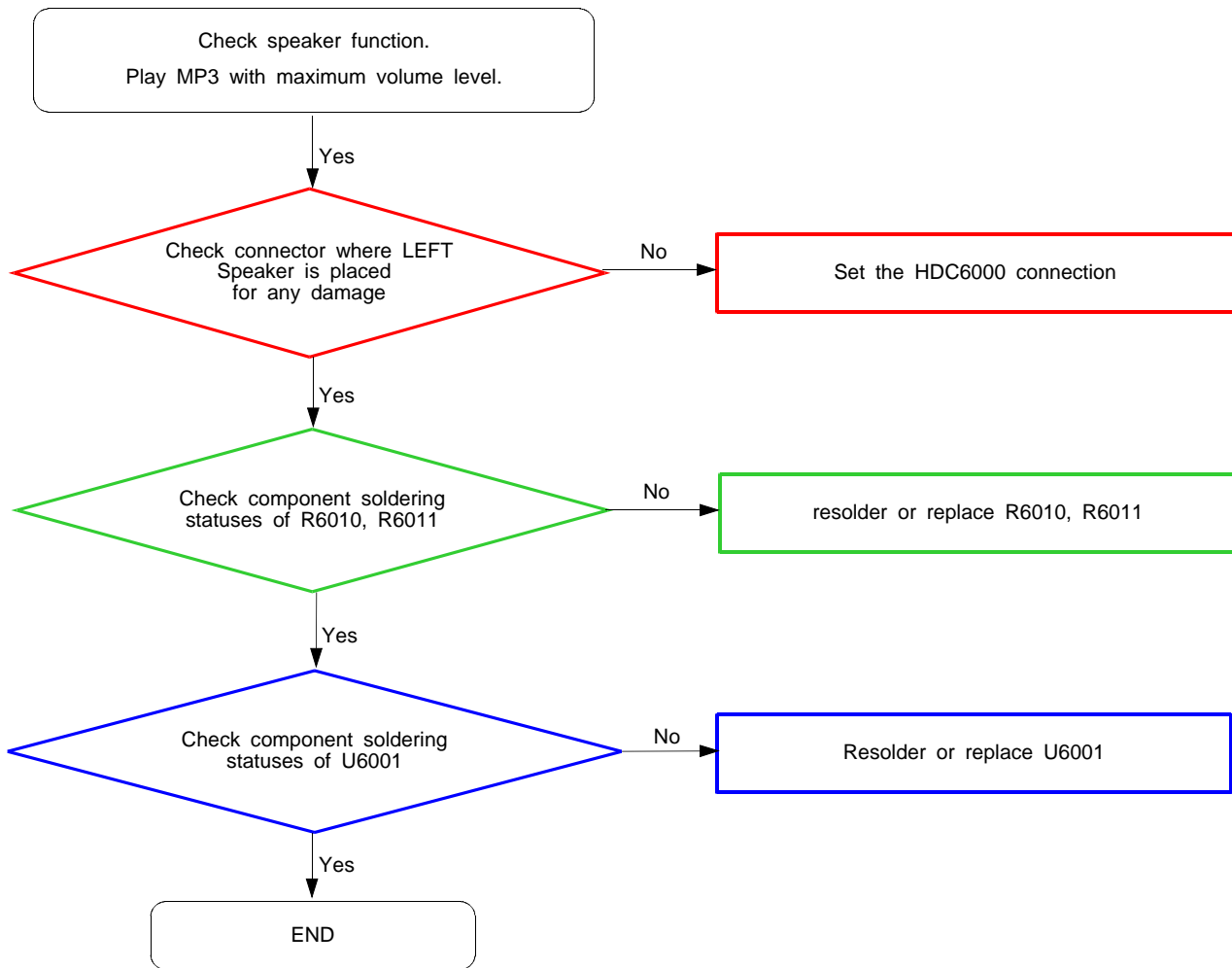


8-3-4-3. RCV Part

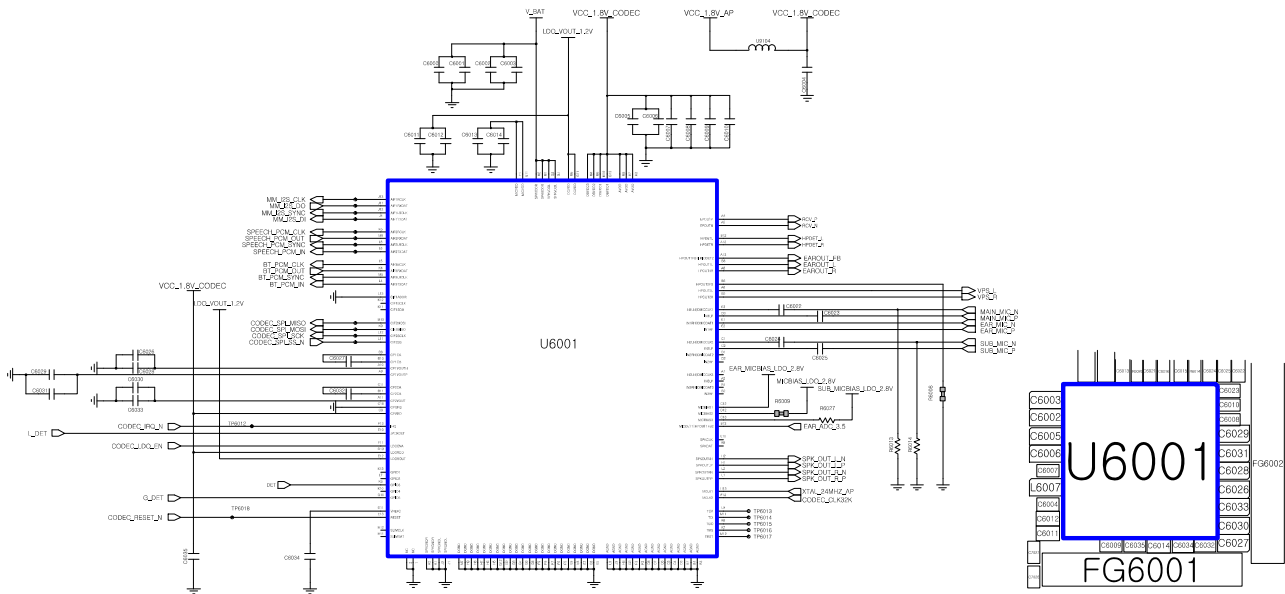
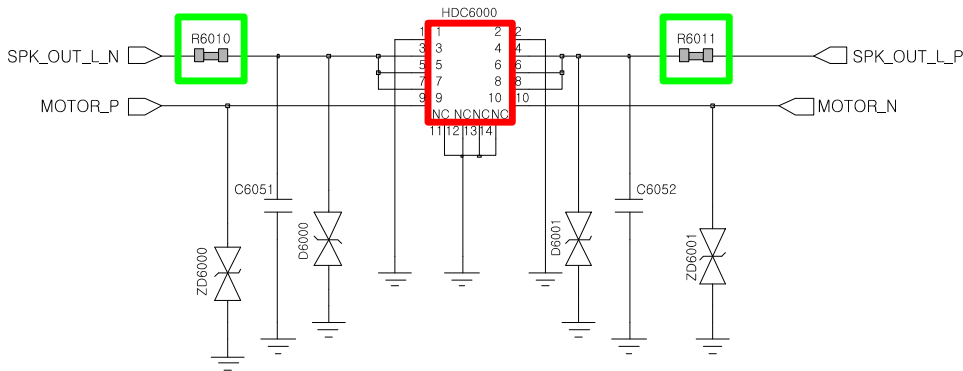
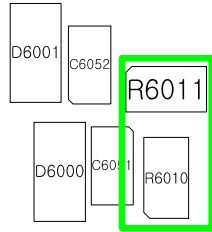




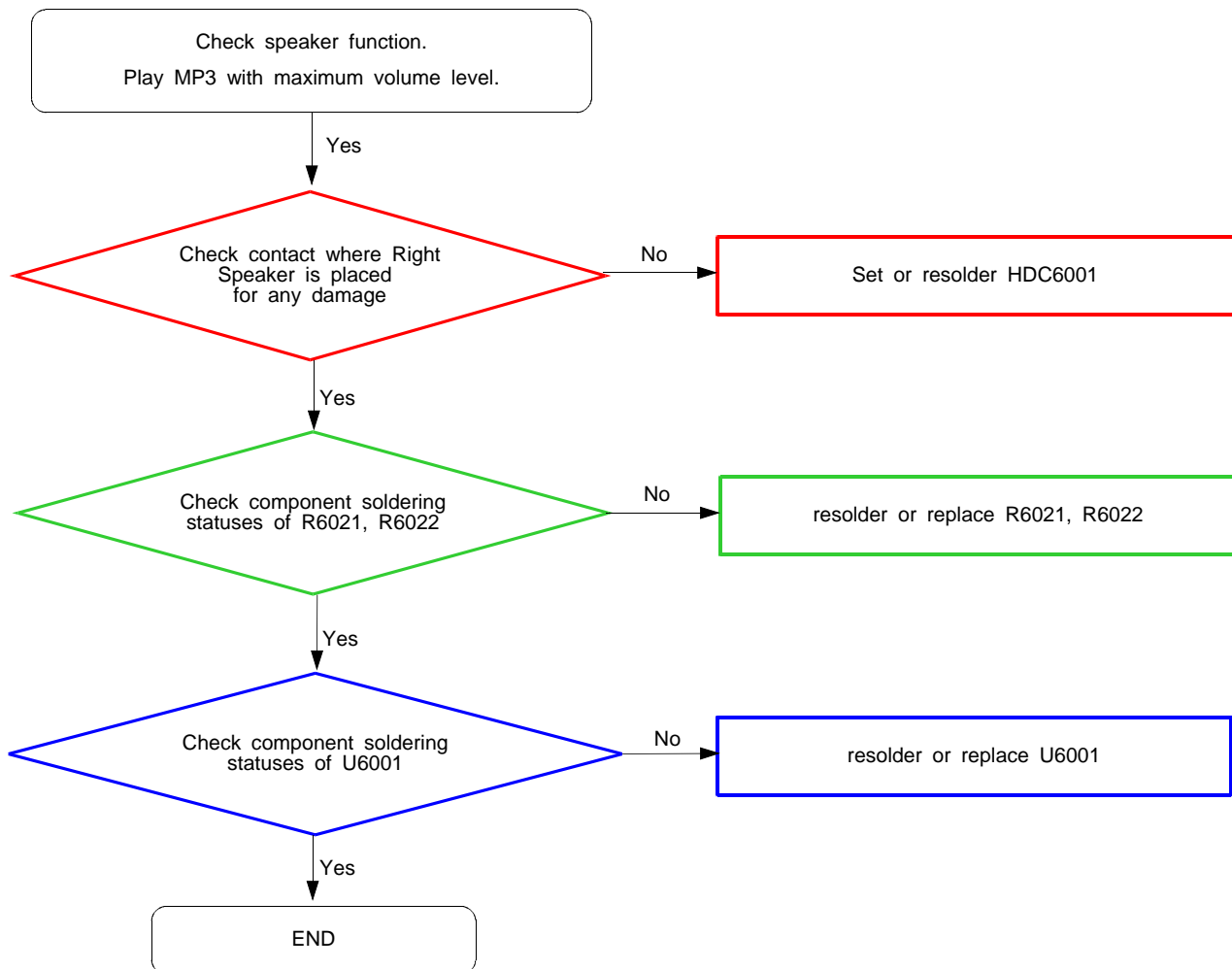
8-3-4-4. Speaker Part (LEFT)

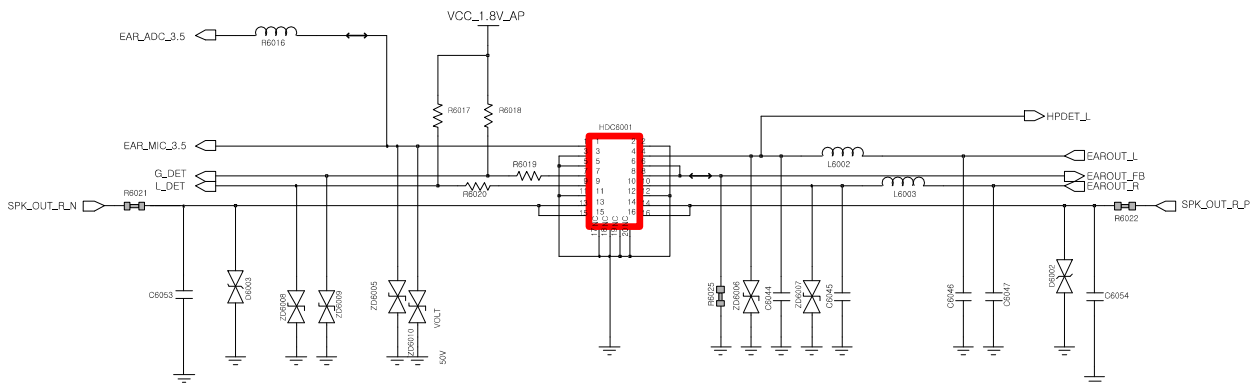


HDC6000

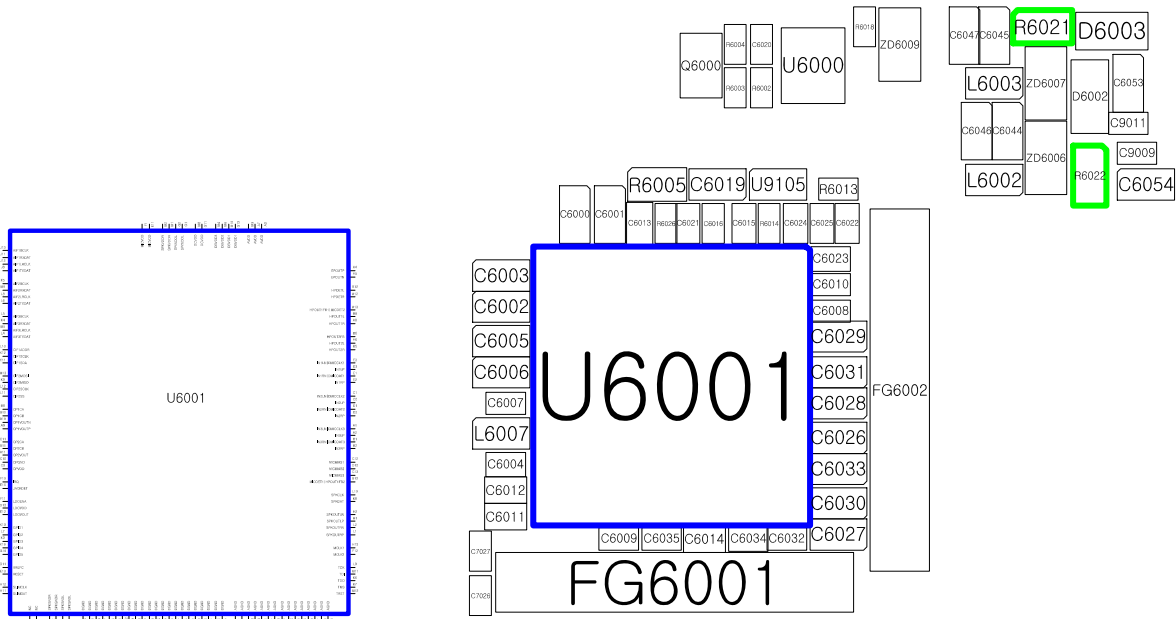


8-3-4-5. Speaker Part (RIGHT)

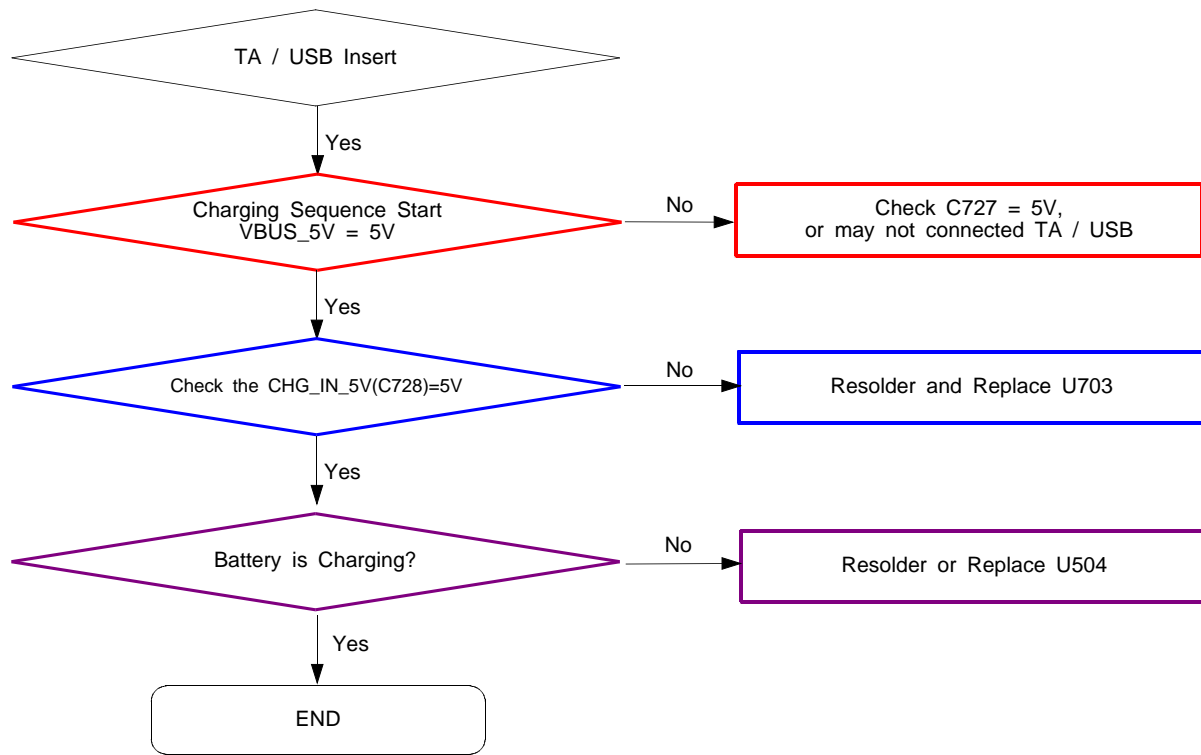


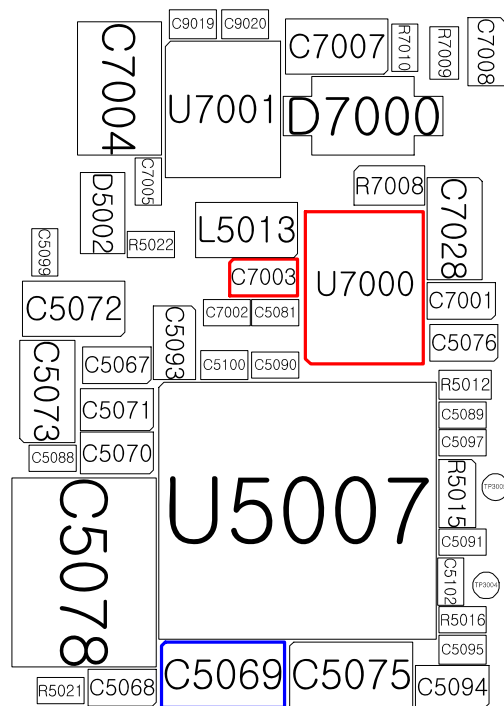
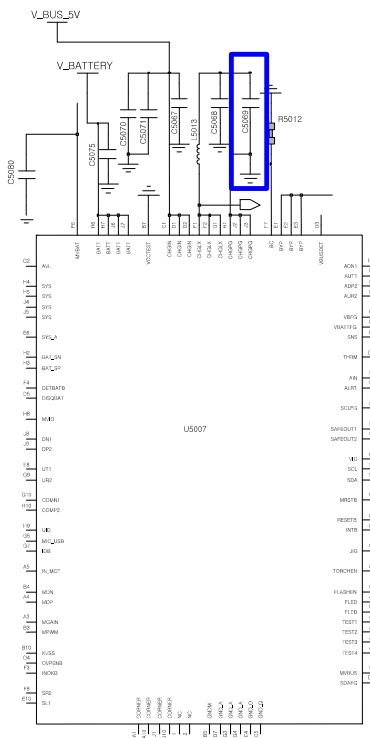
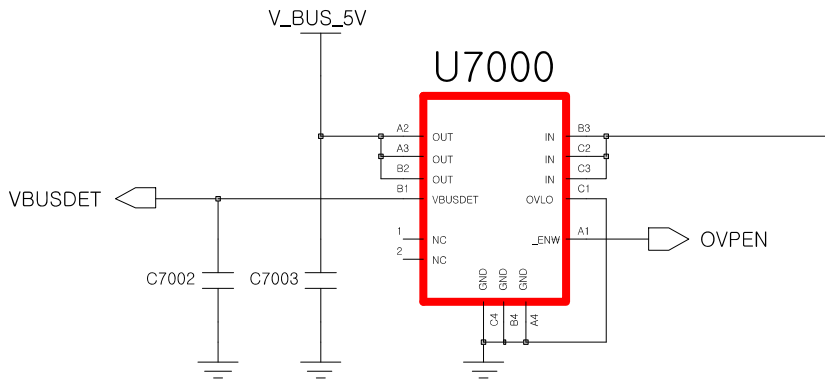


HDC6001

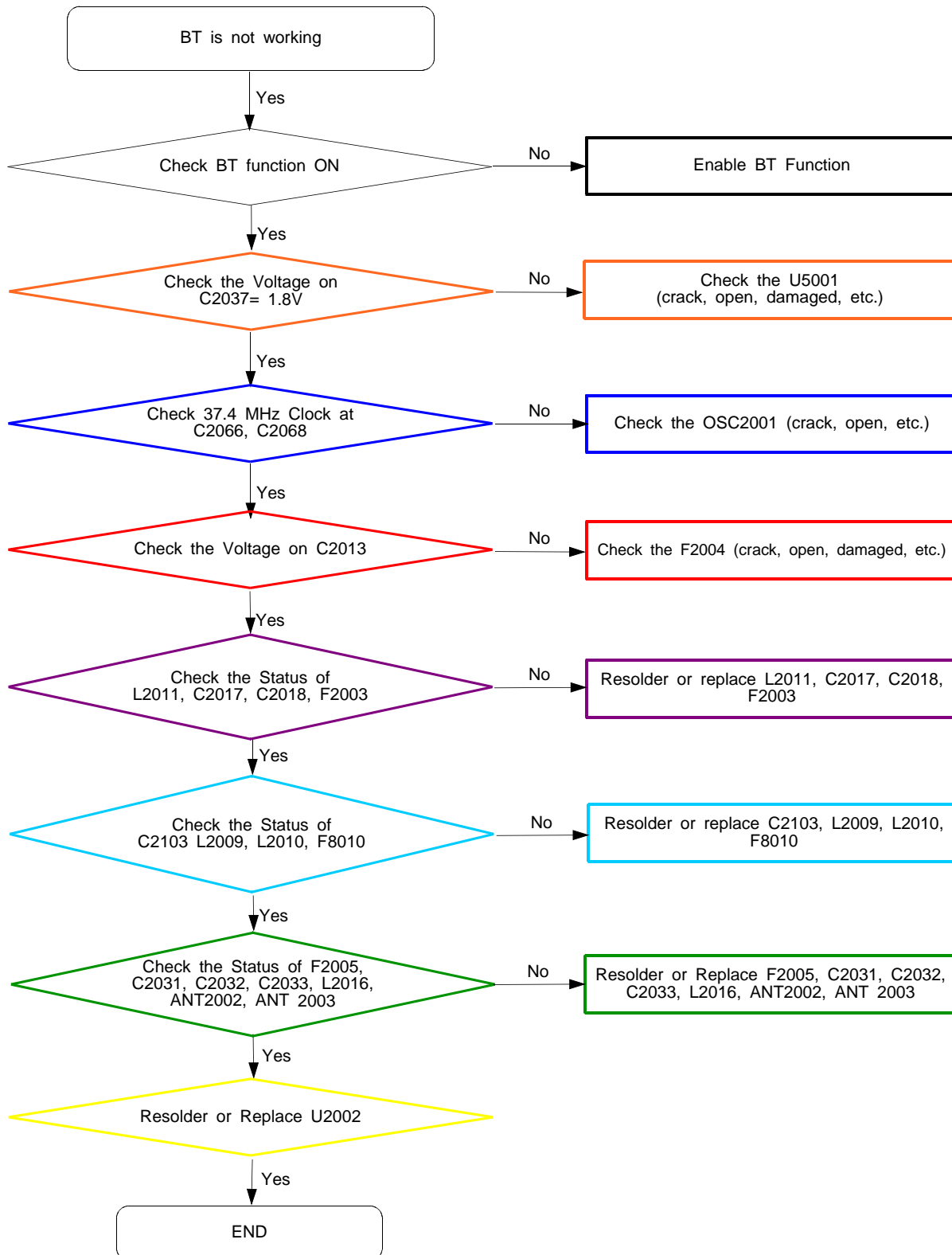


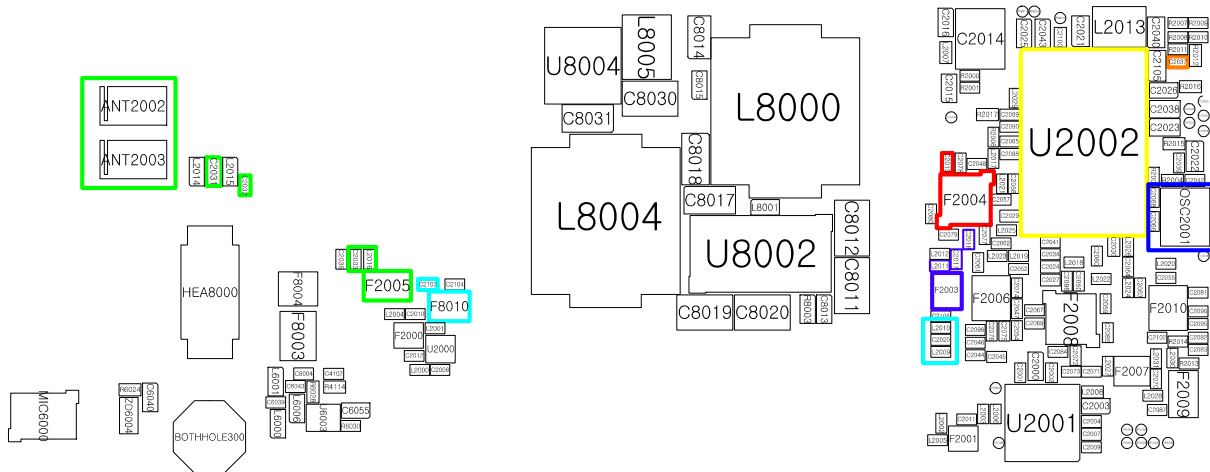
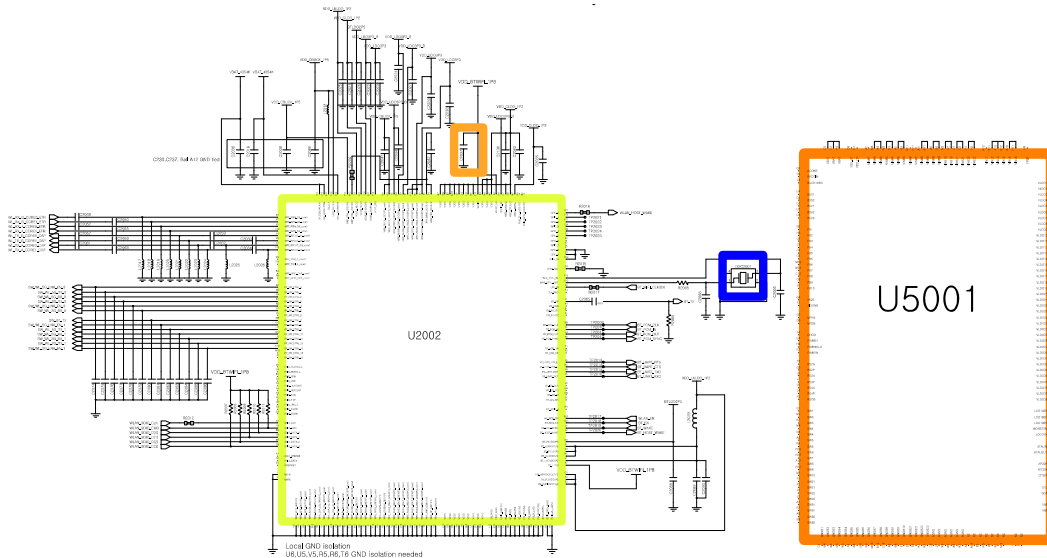
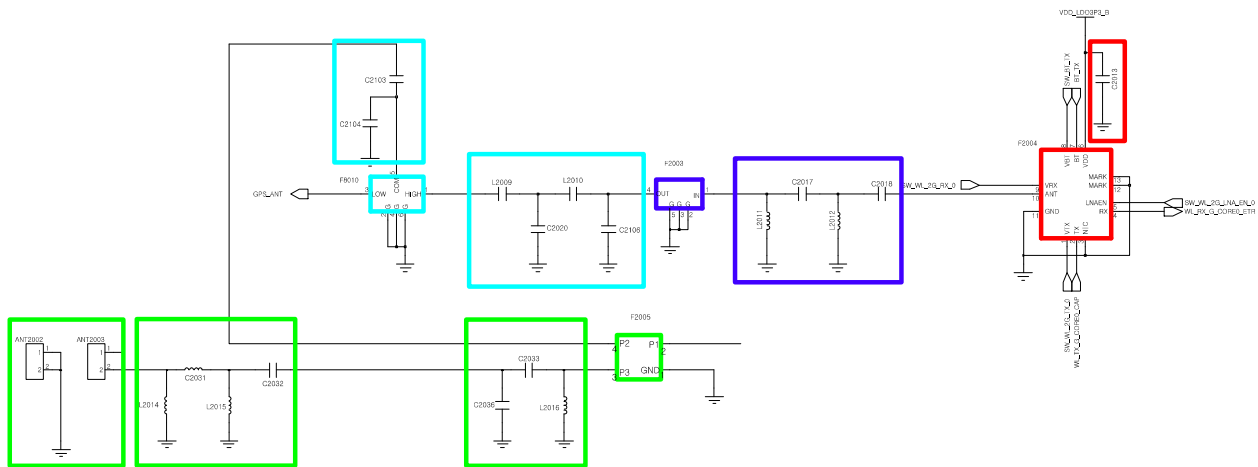
8-3-5. Charging Part



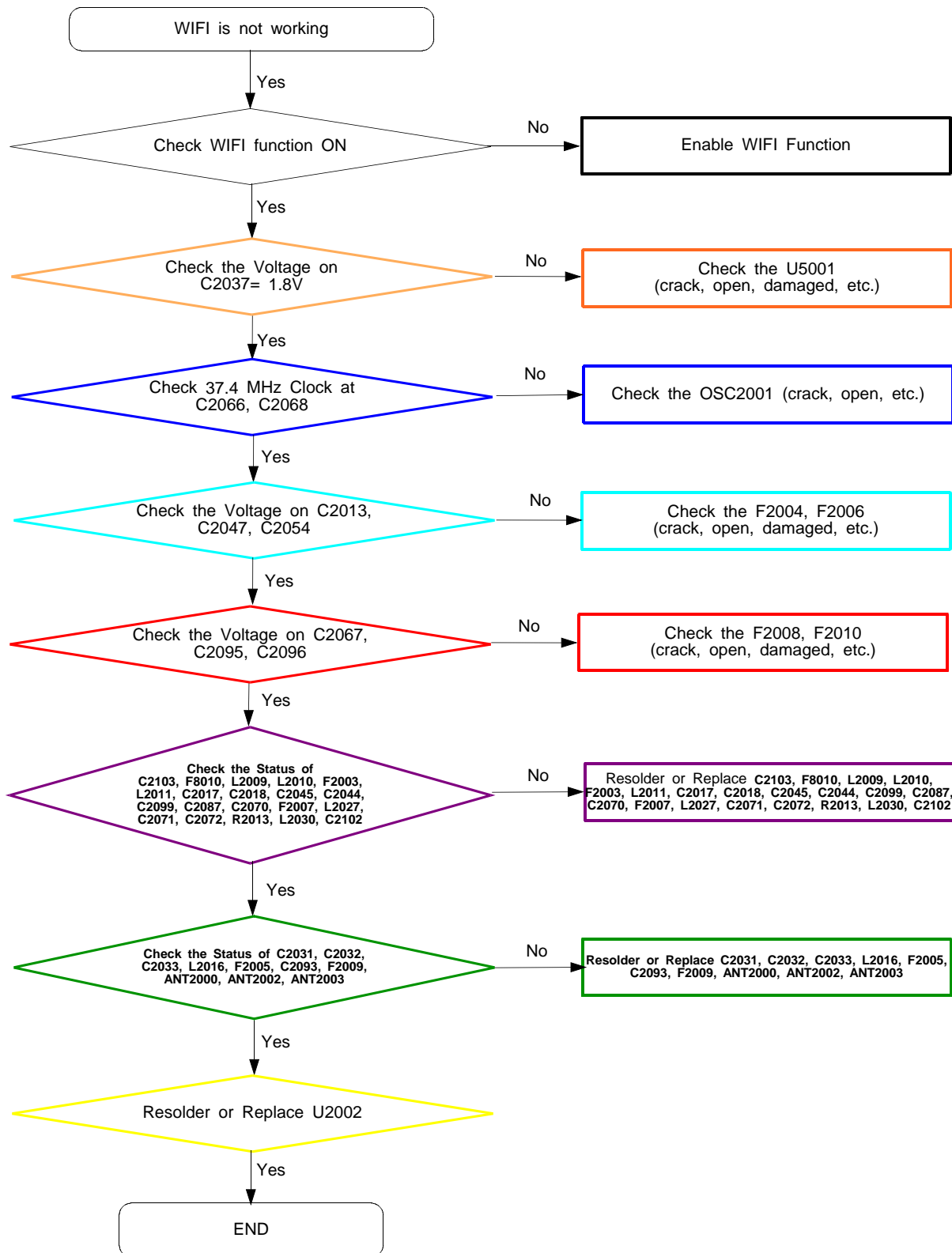


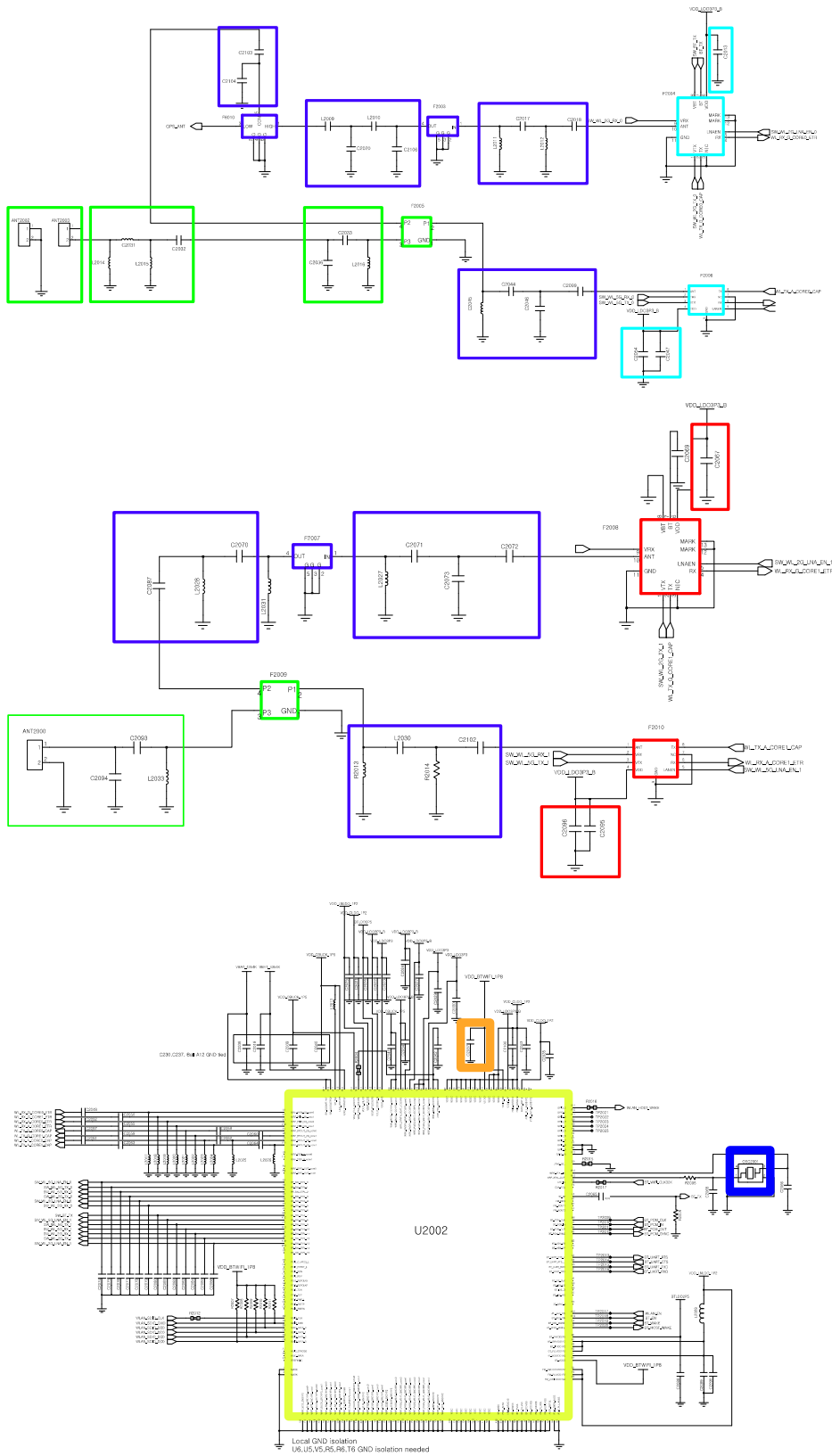
8-3-6. BT Part

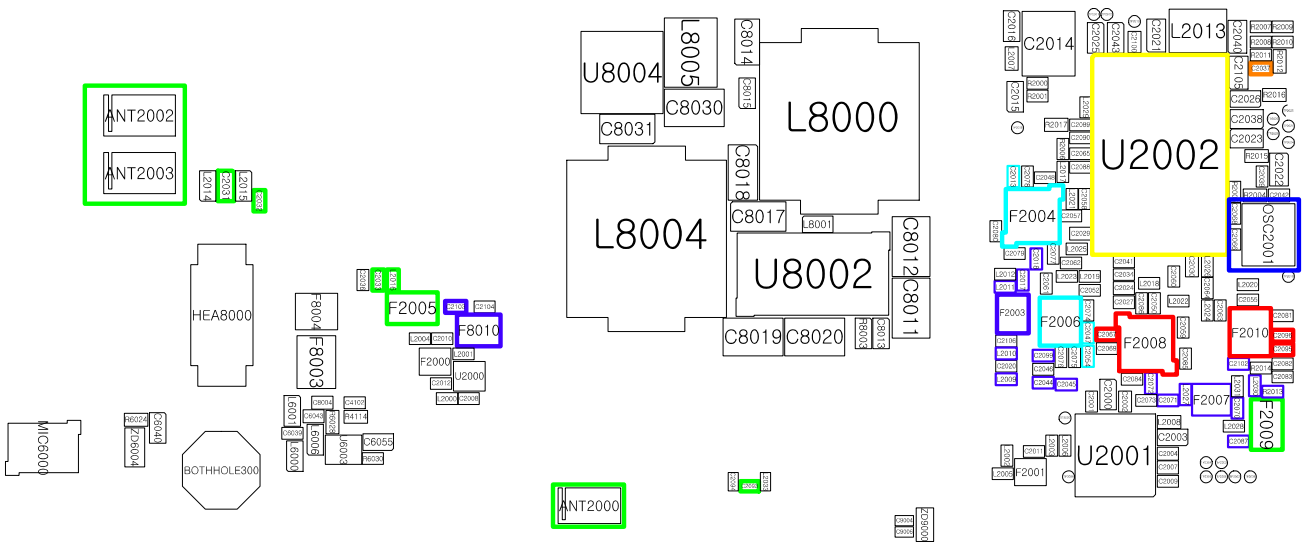




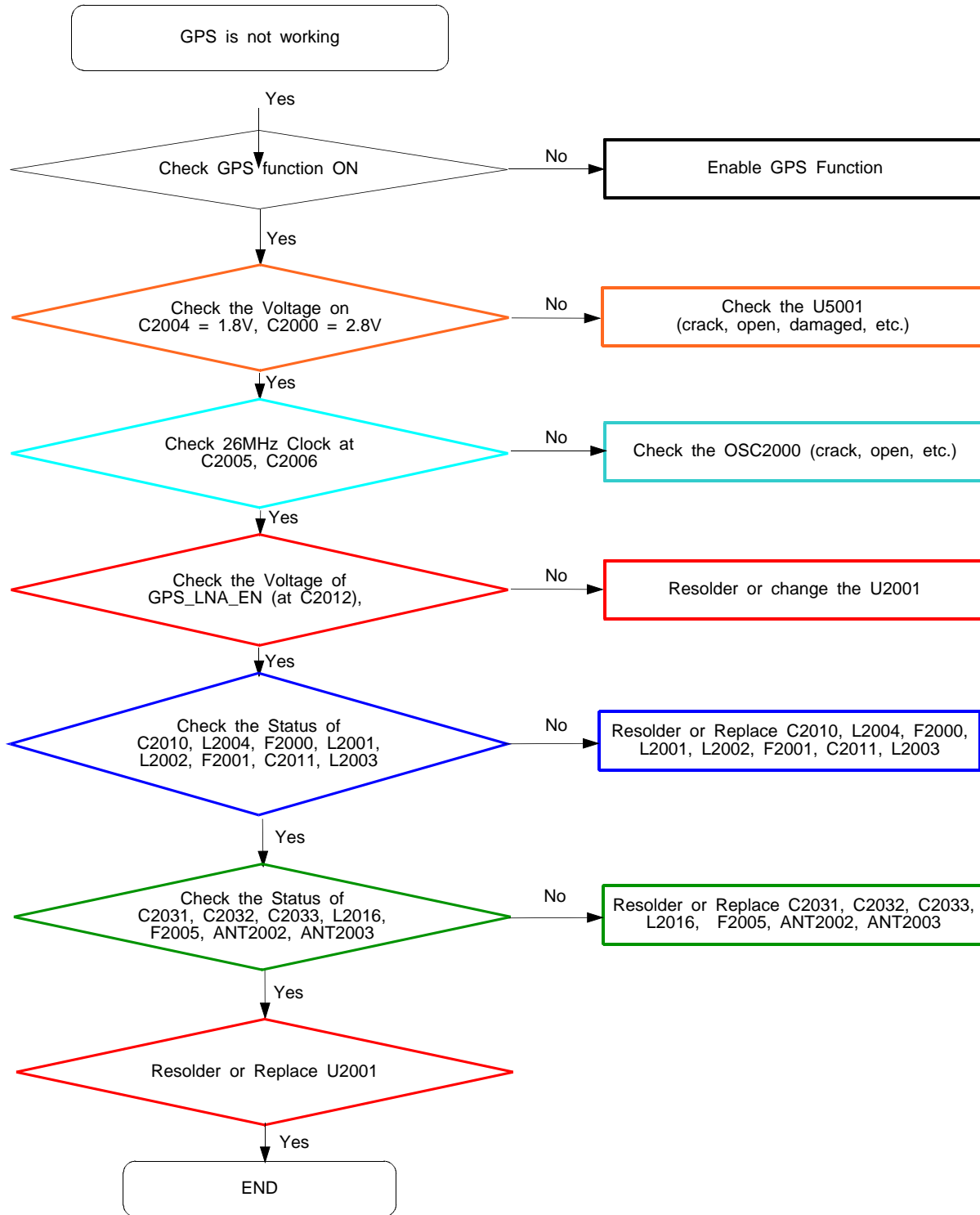
8-3-7. WIFI Part

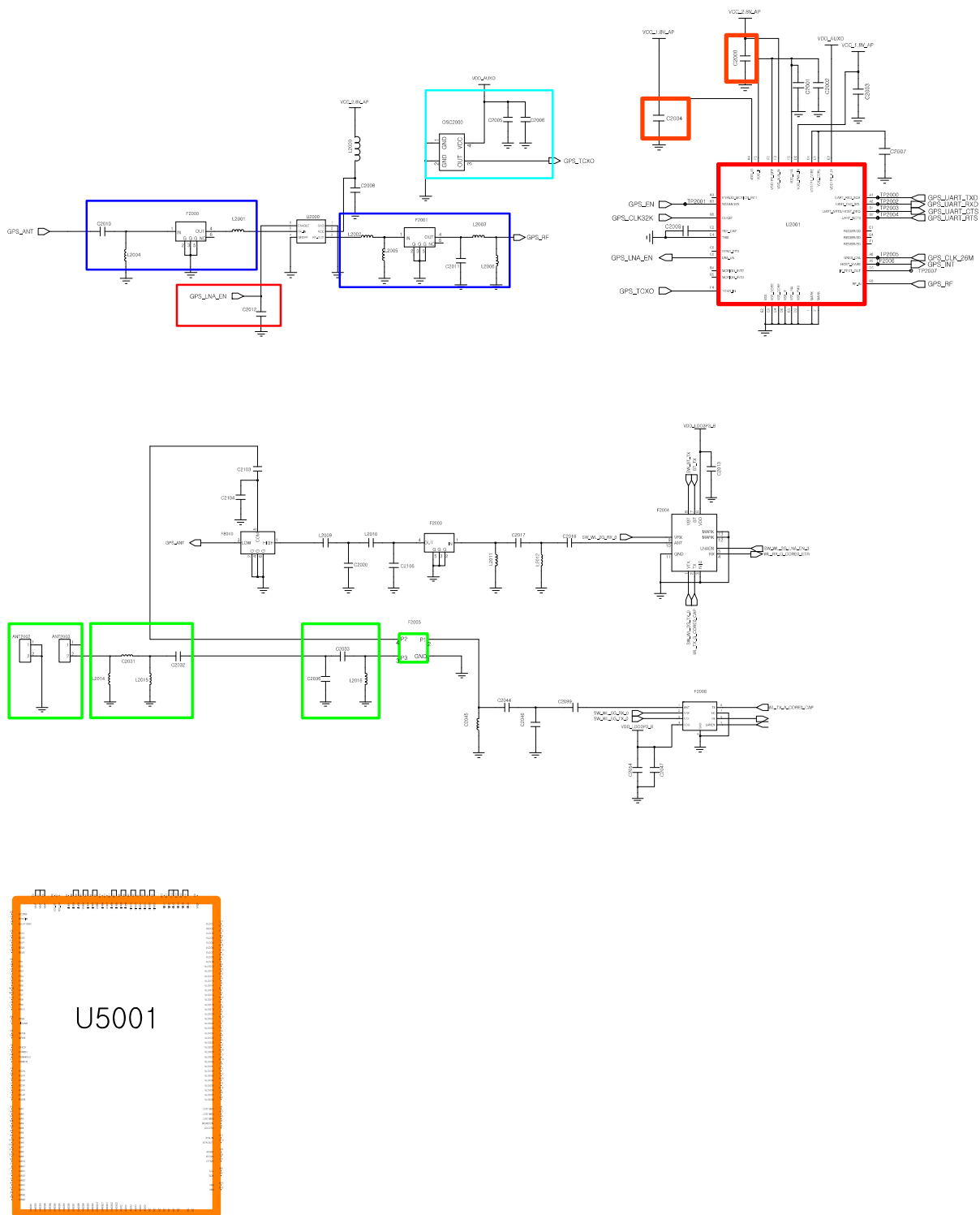


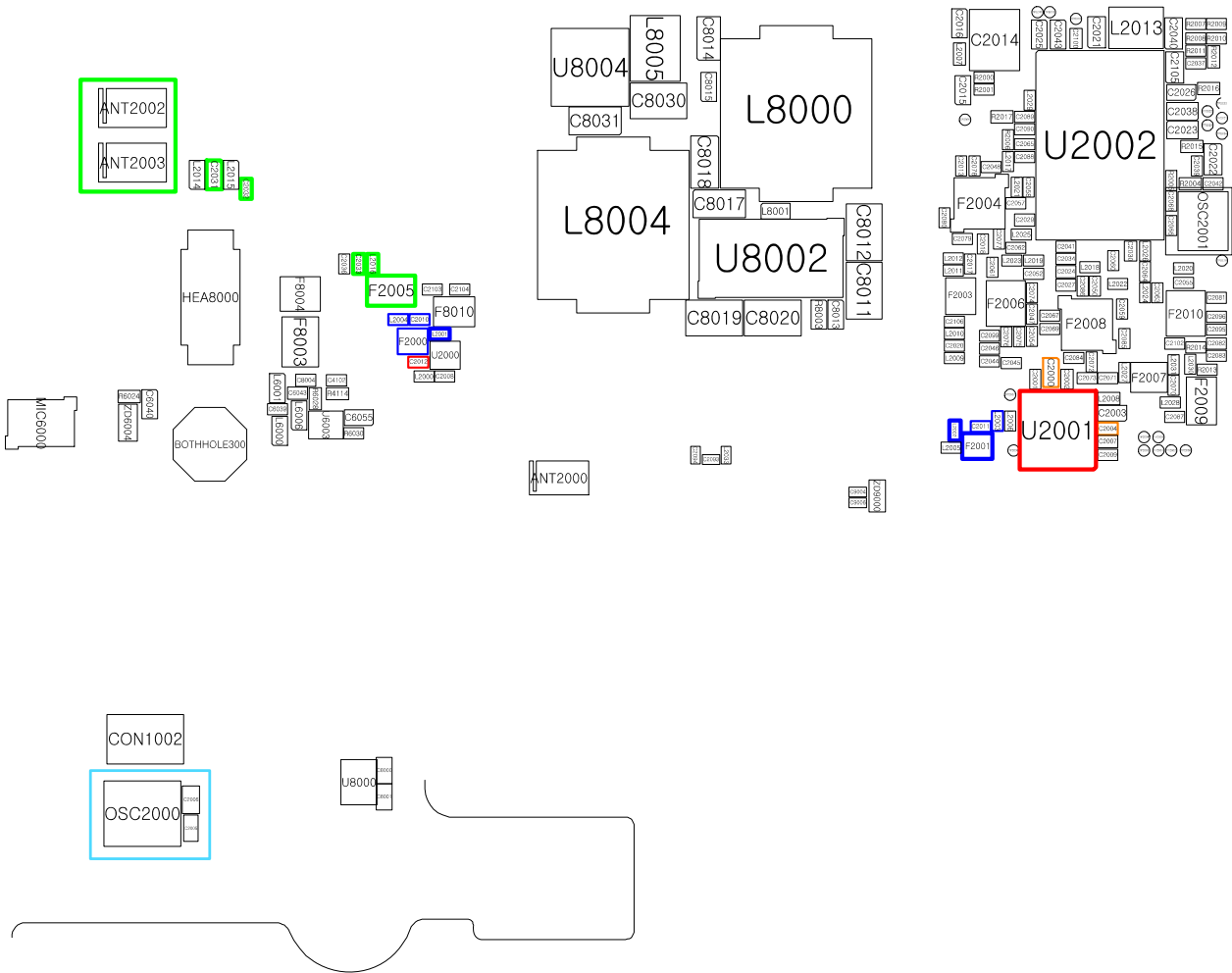




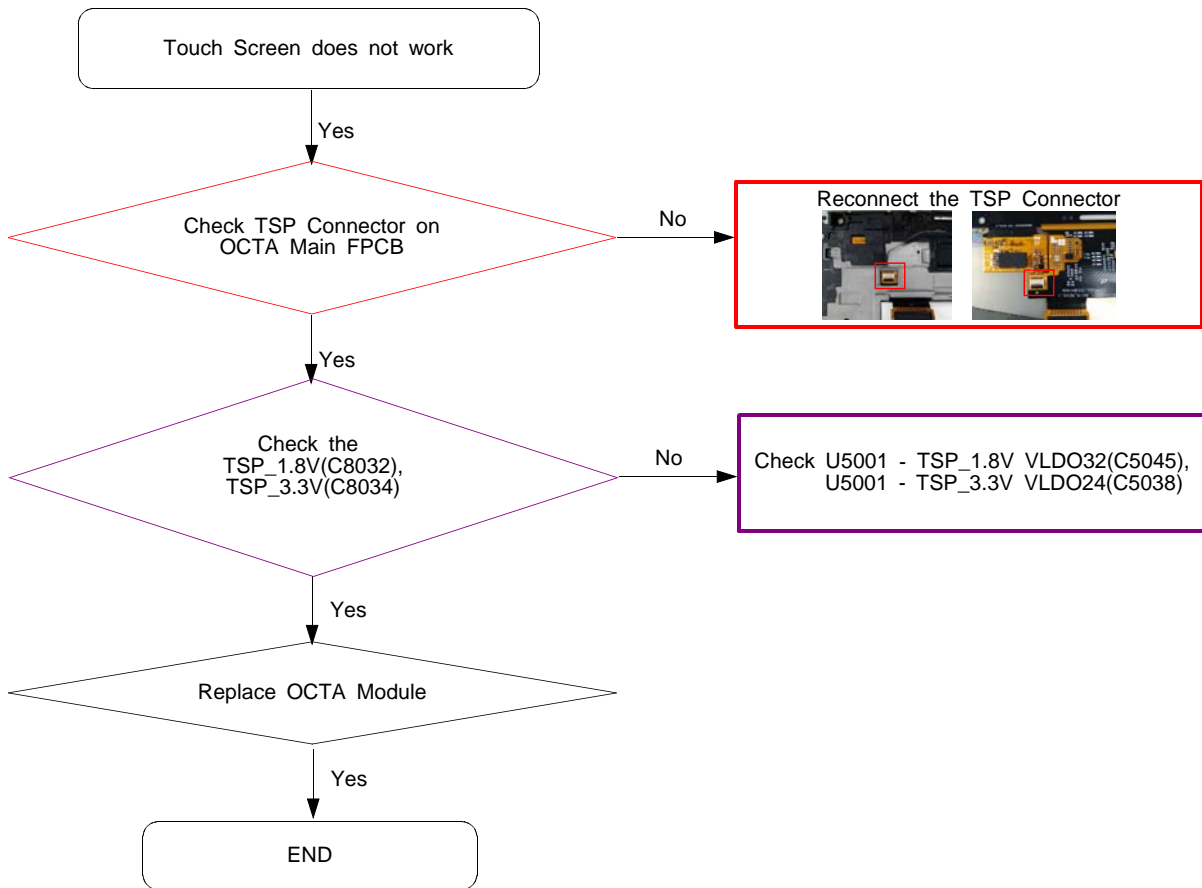
8-3-8. GPS Part

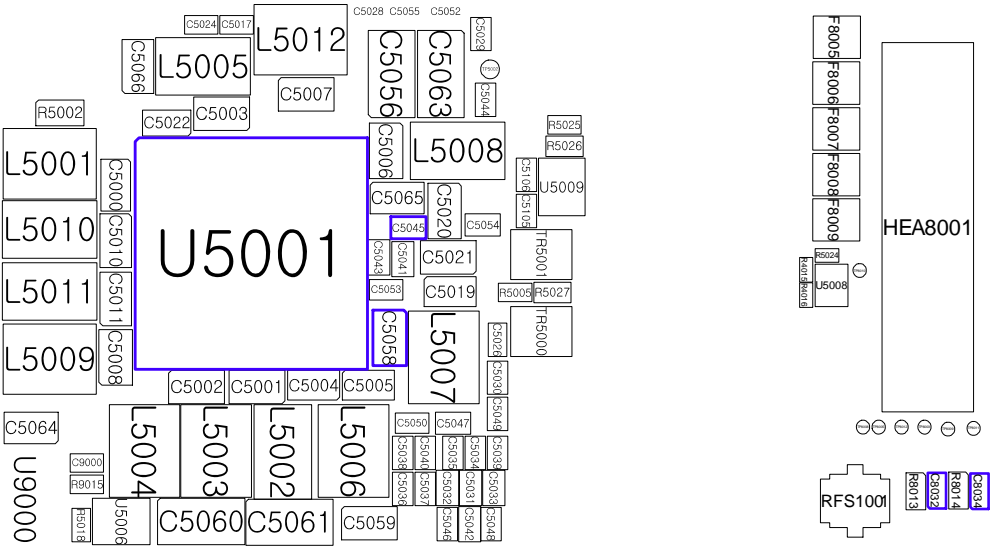
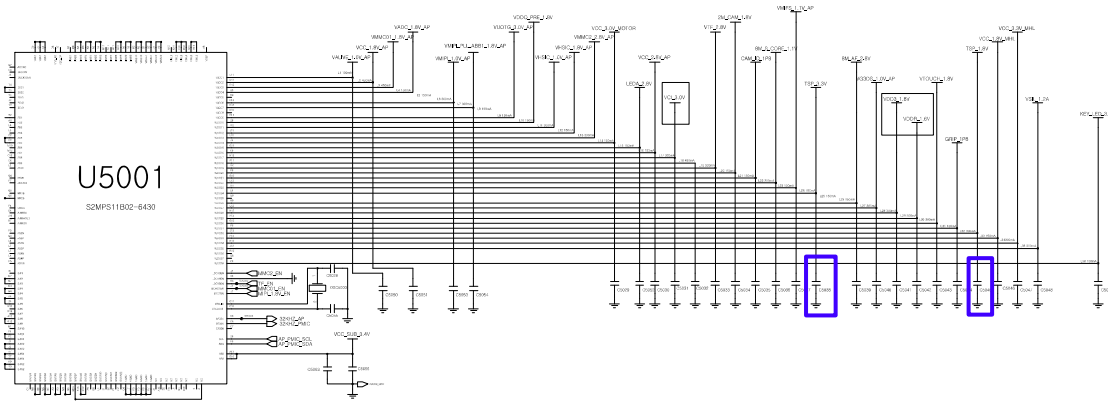
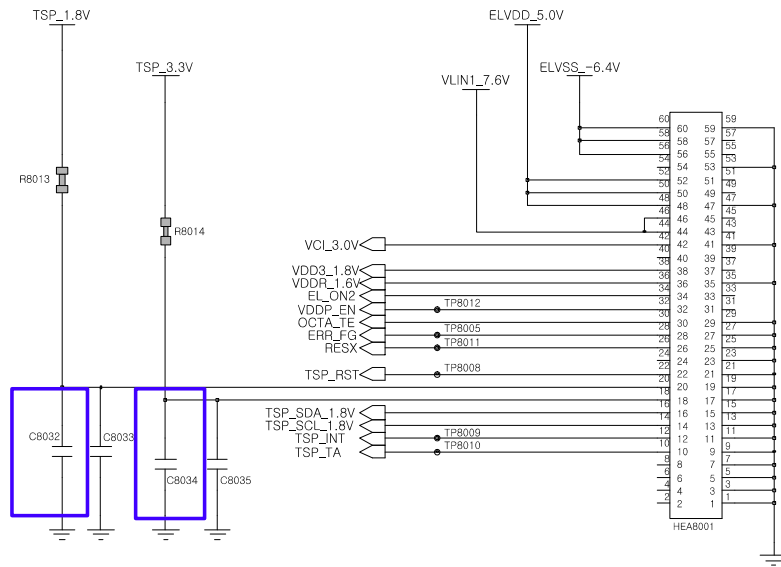




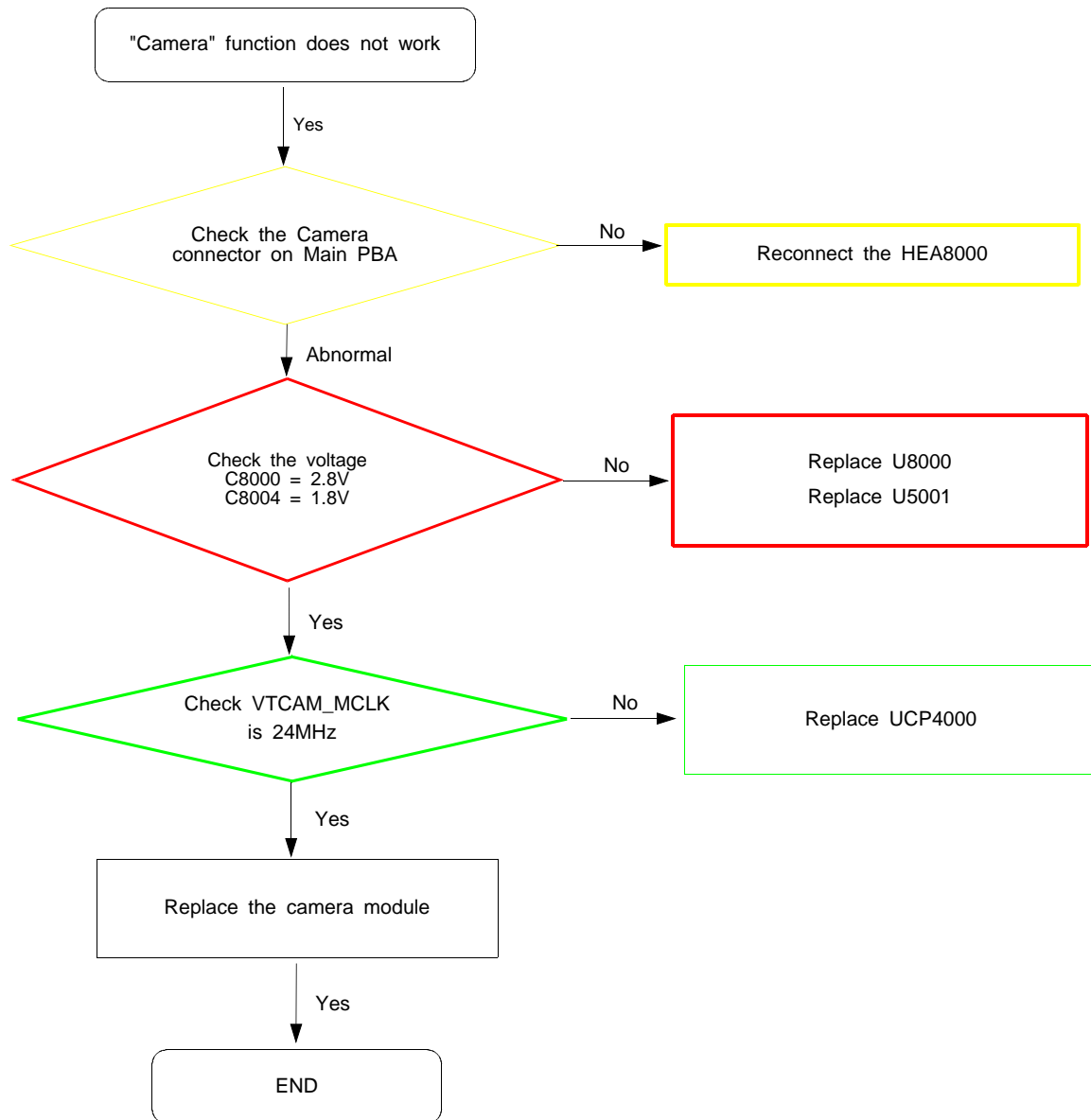


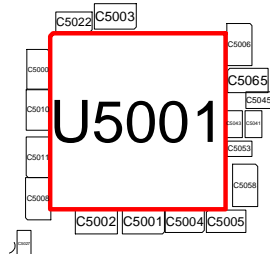
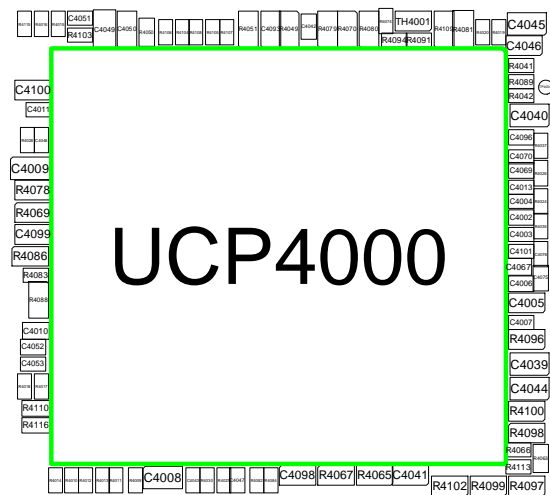
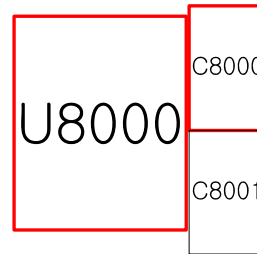
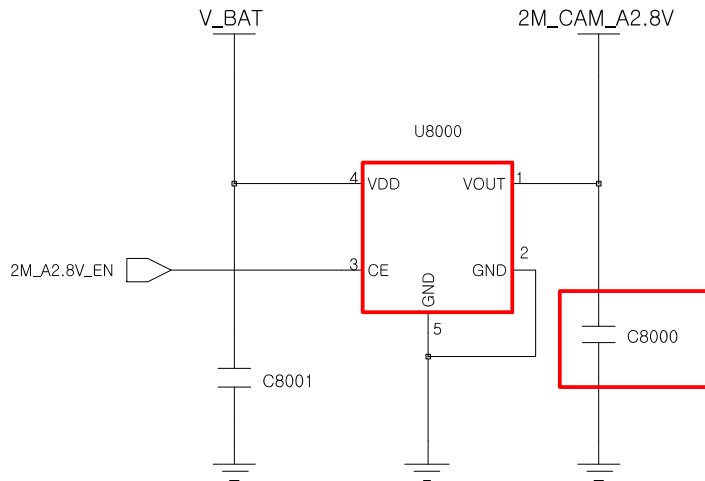
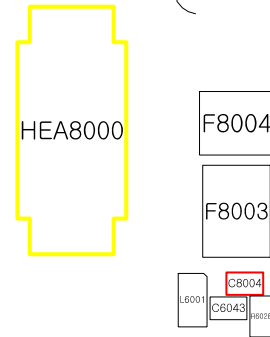
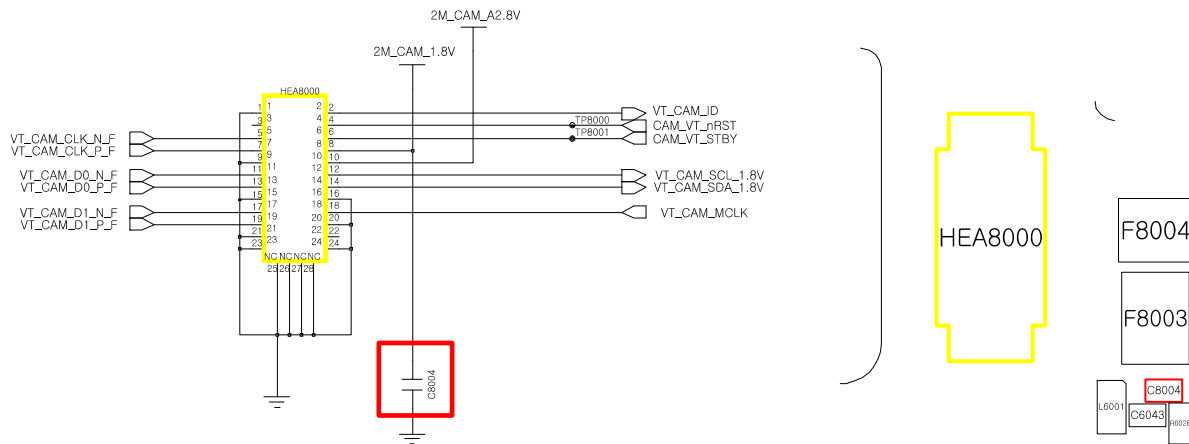
8-3-9. OCTA(TSP)



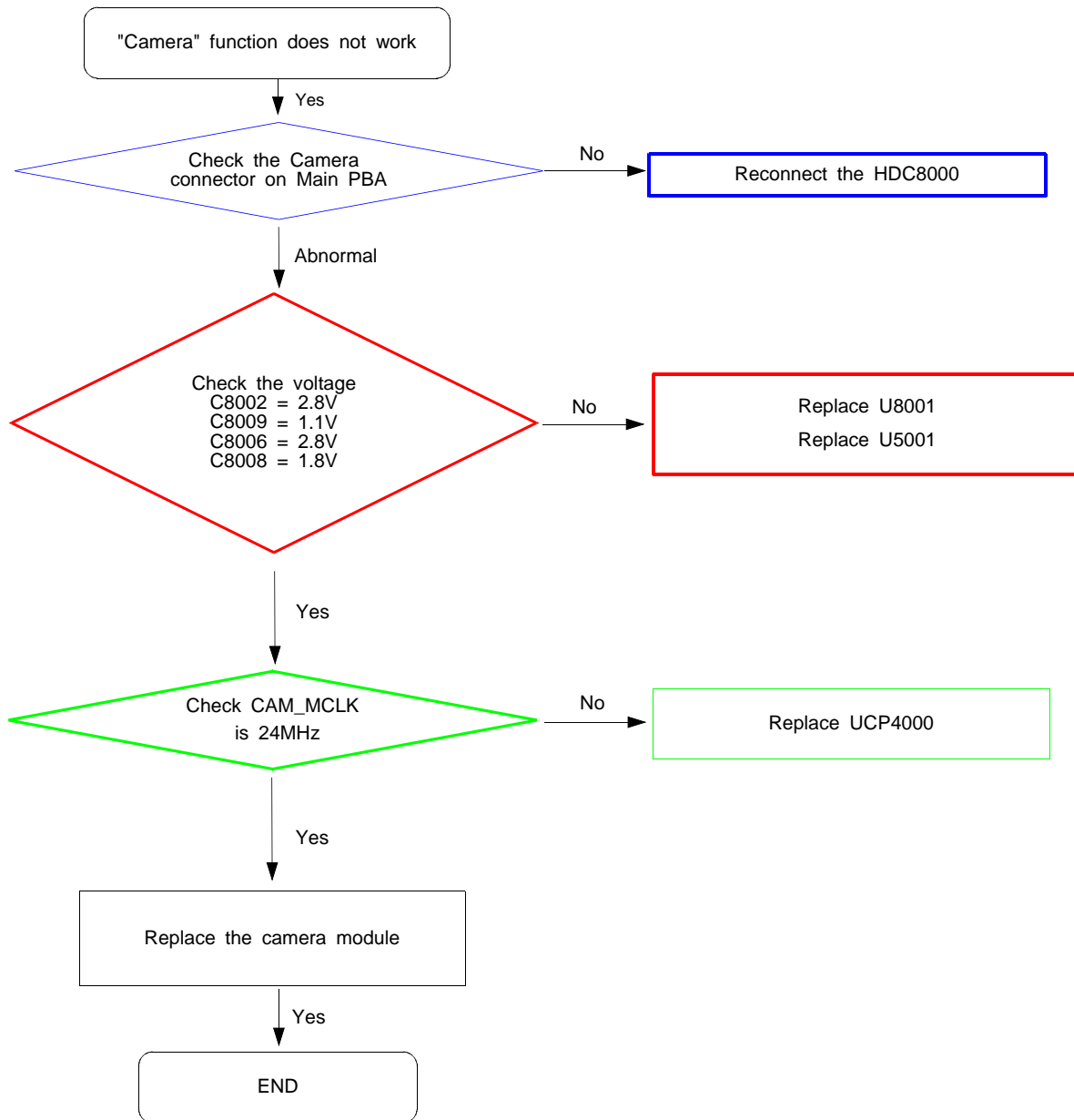


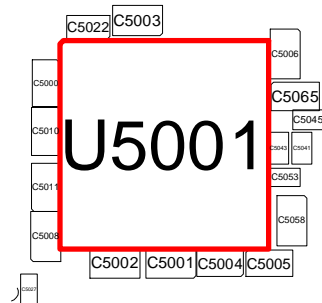
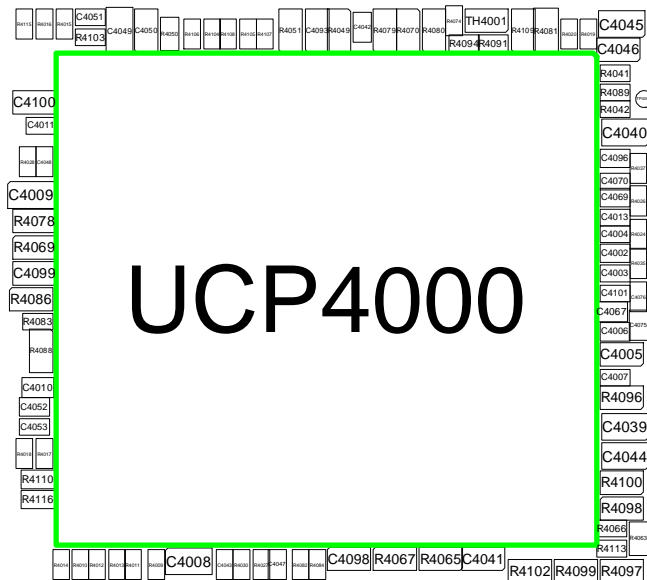
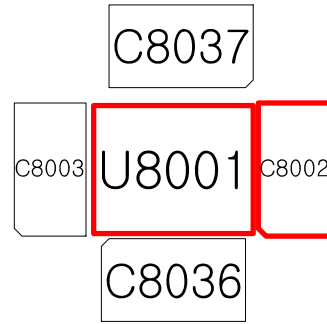
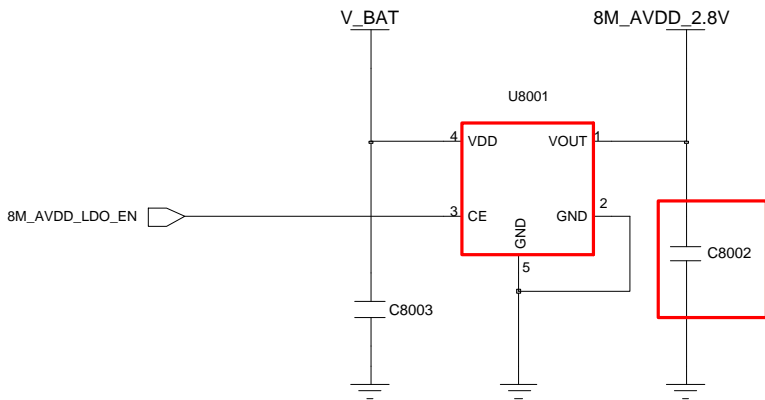
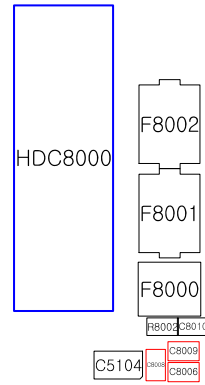
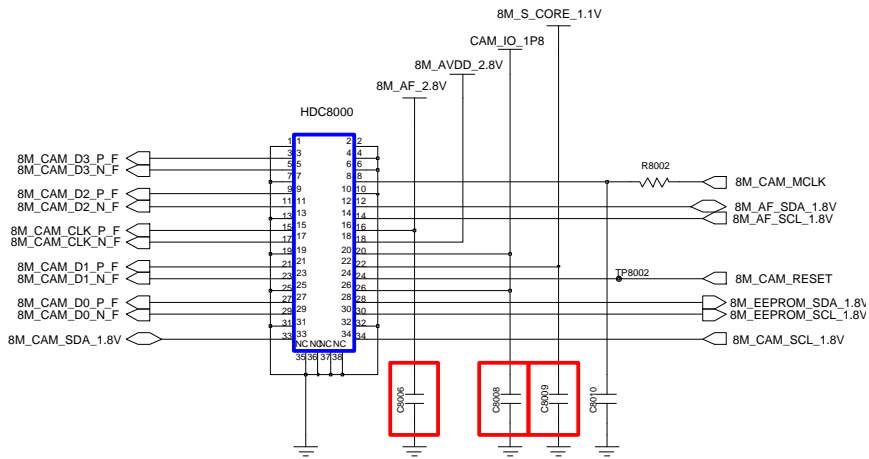
8-3-10. VT CAM



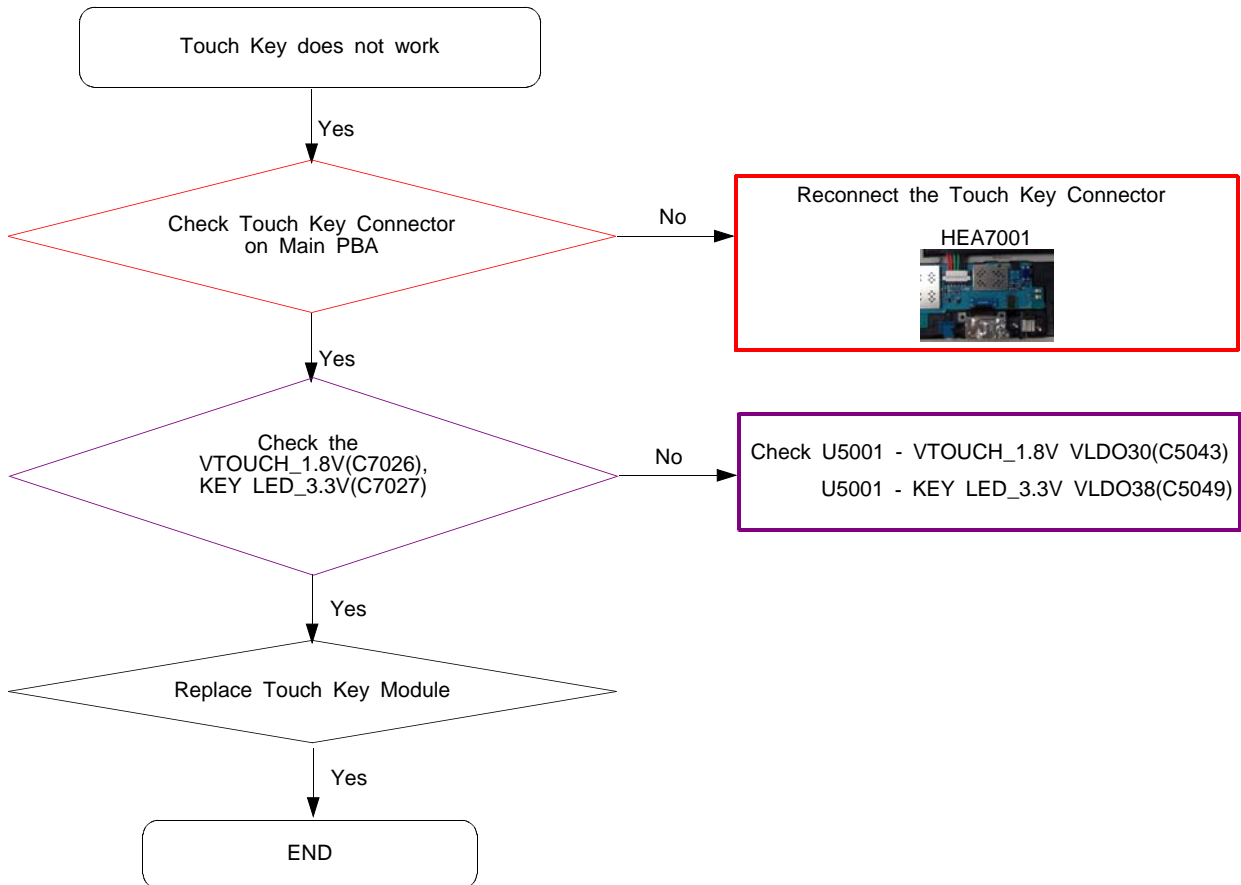


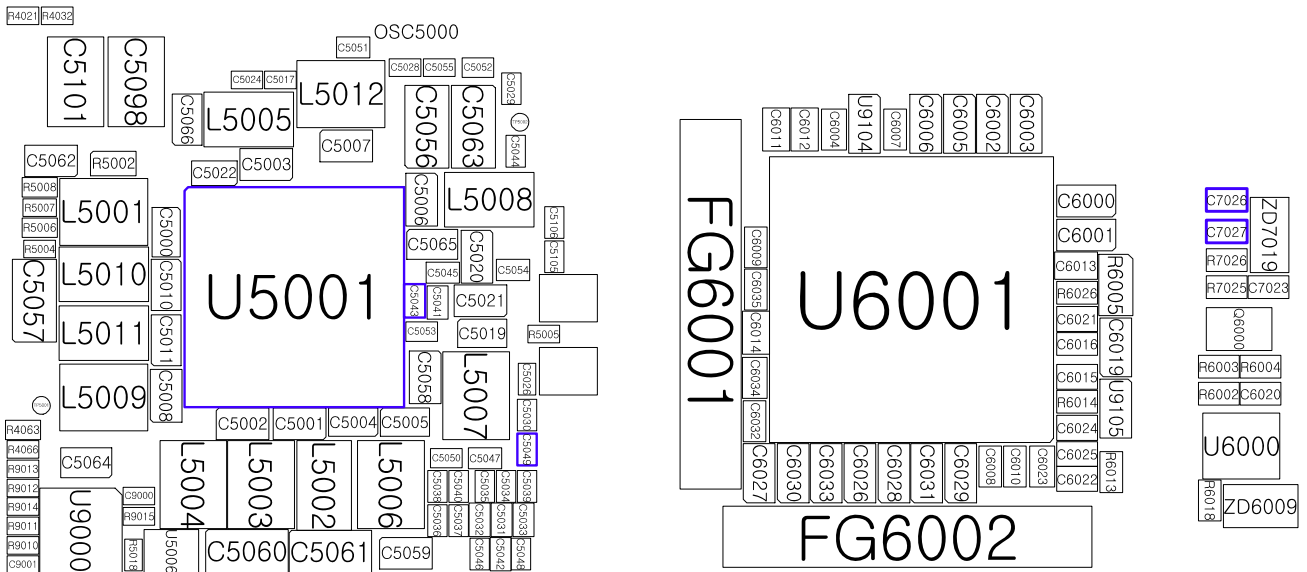
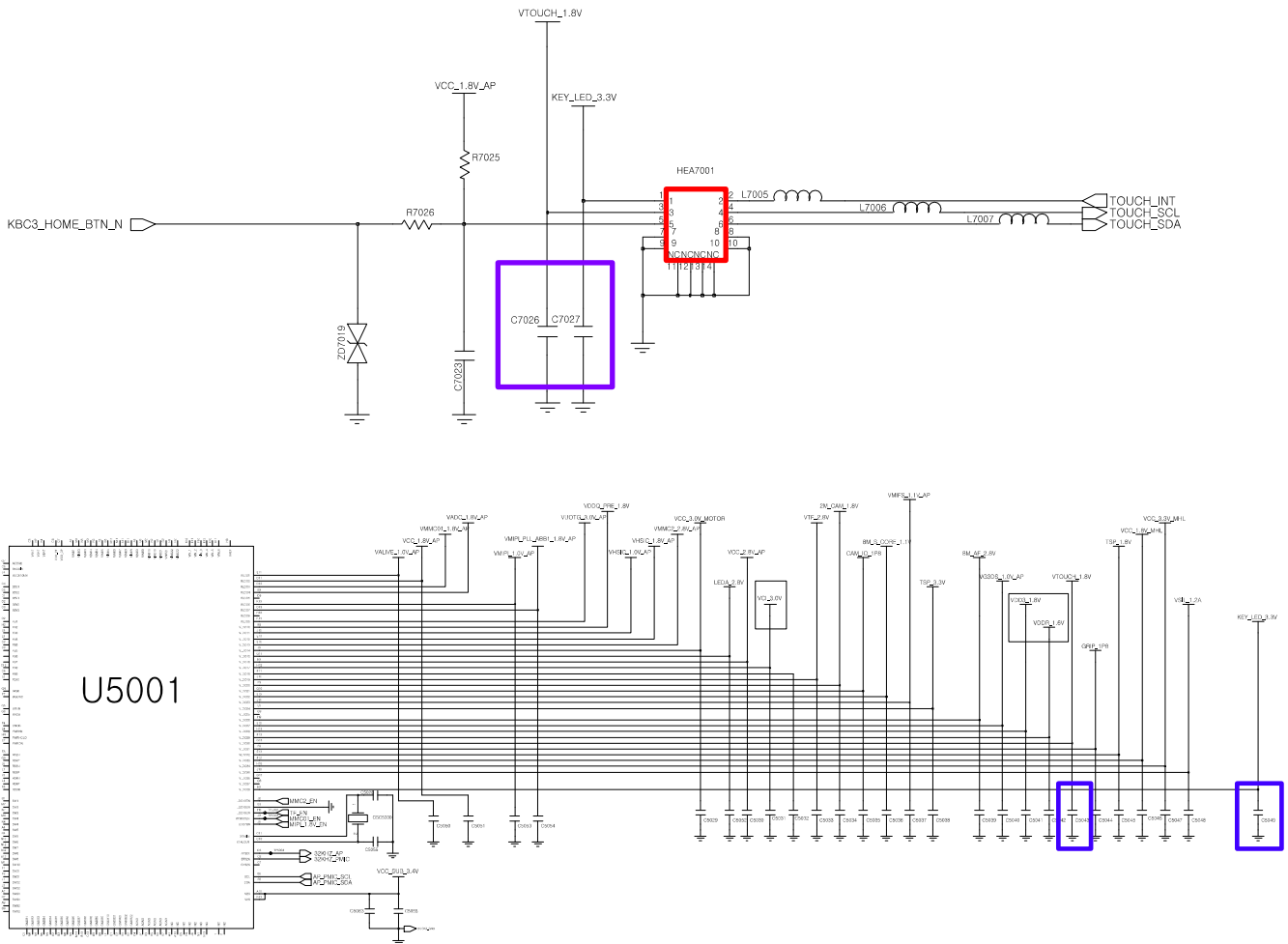
8-3-11. 8M CAM



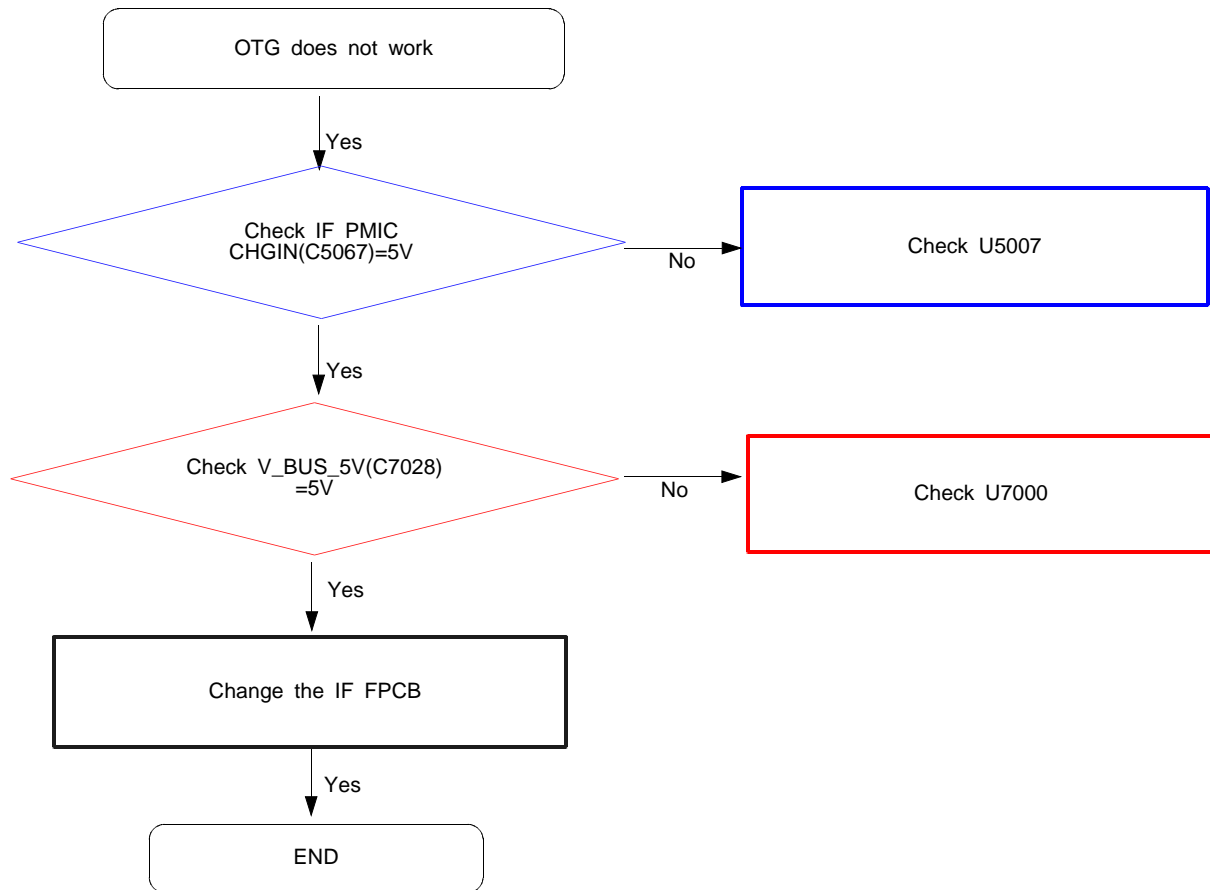


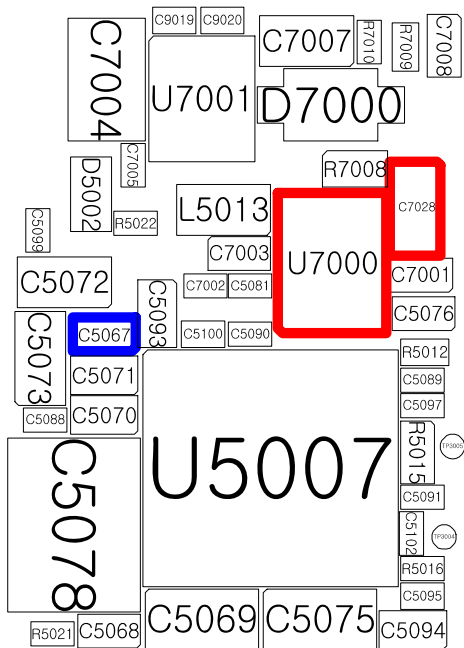
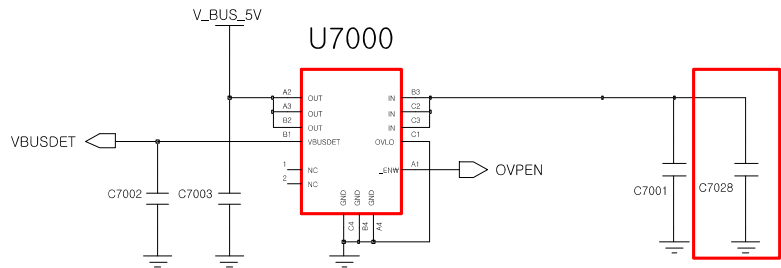
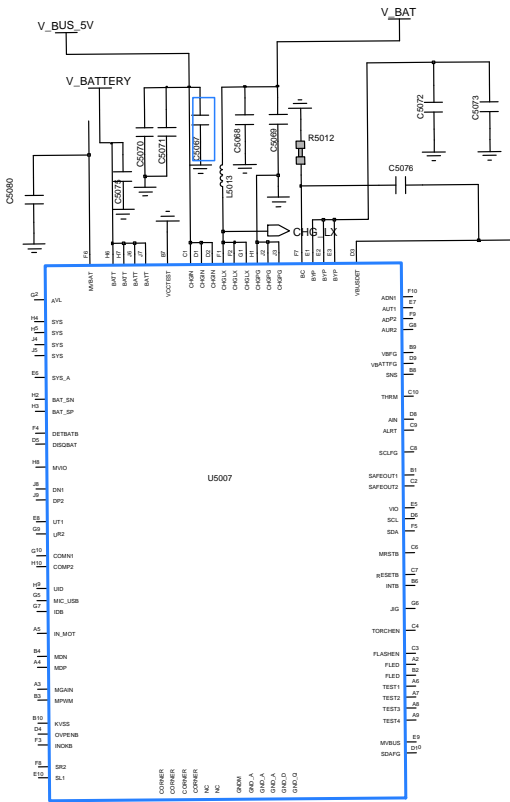
8-3-12. Touch Key



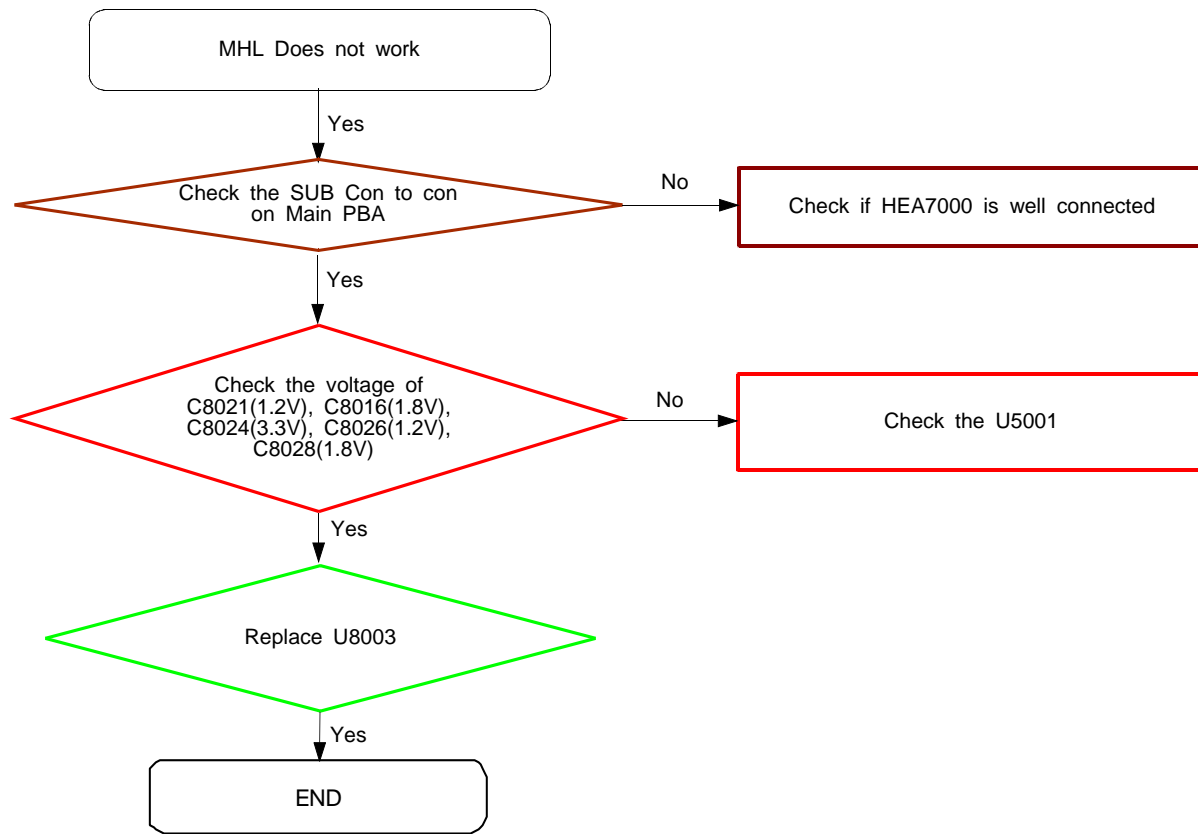


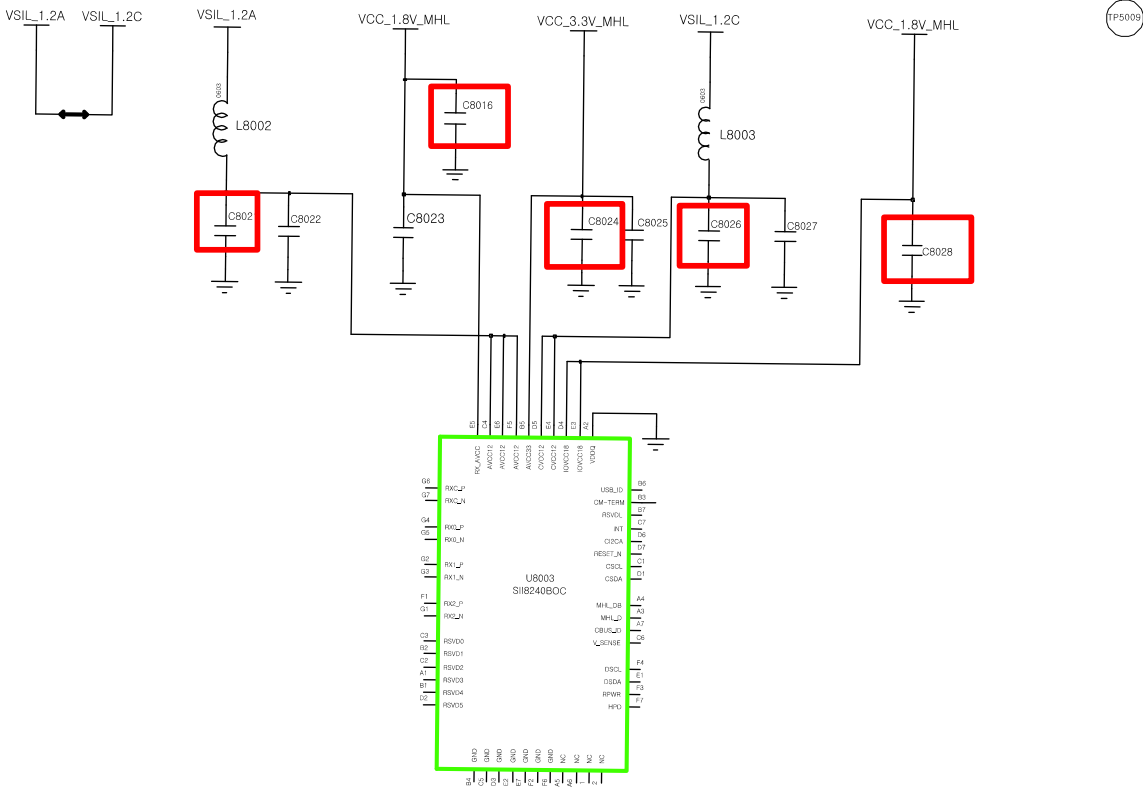
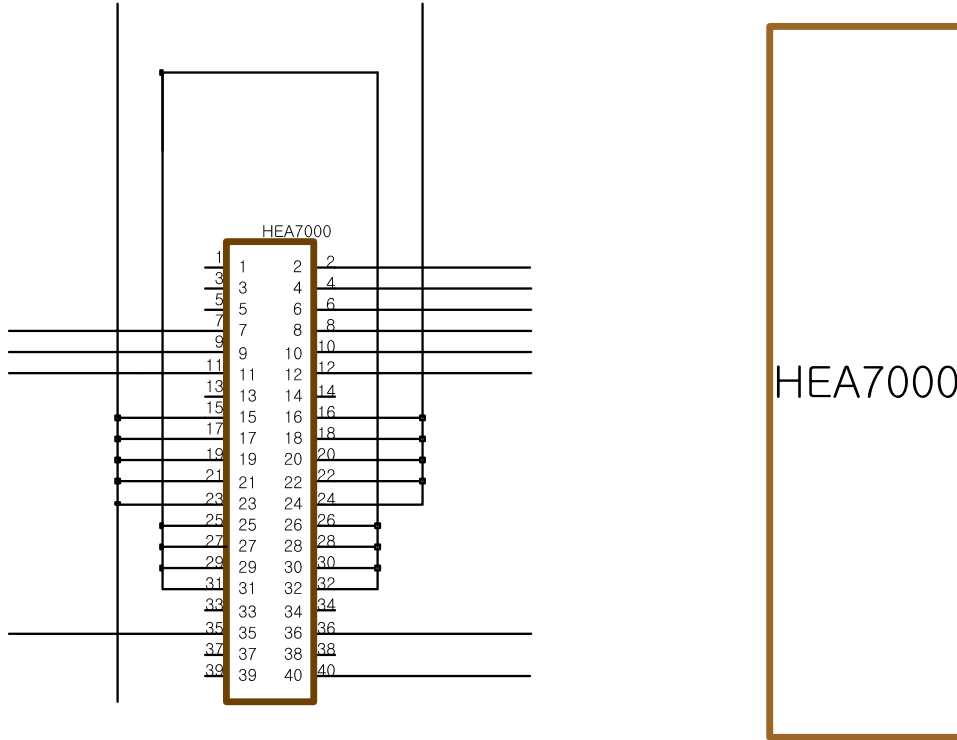
8-3-13. OTG

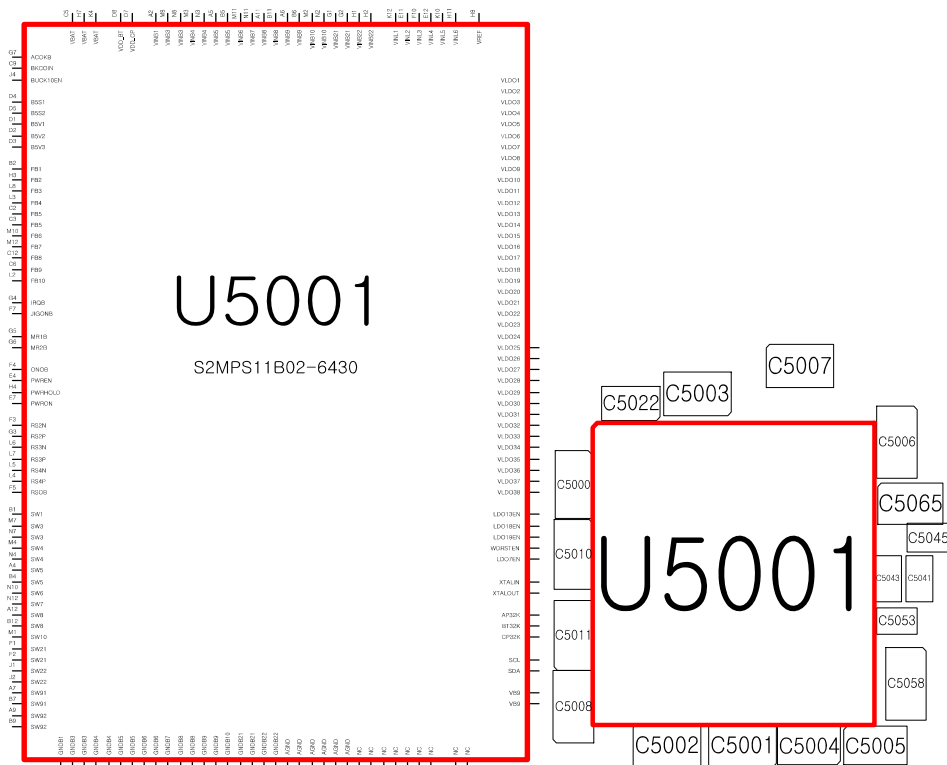




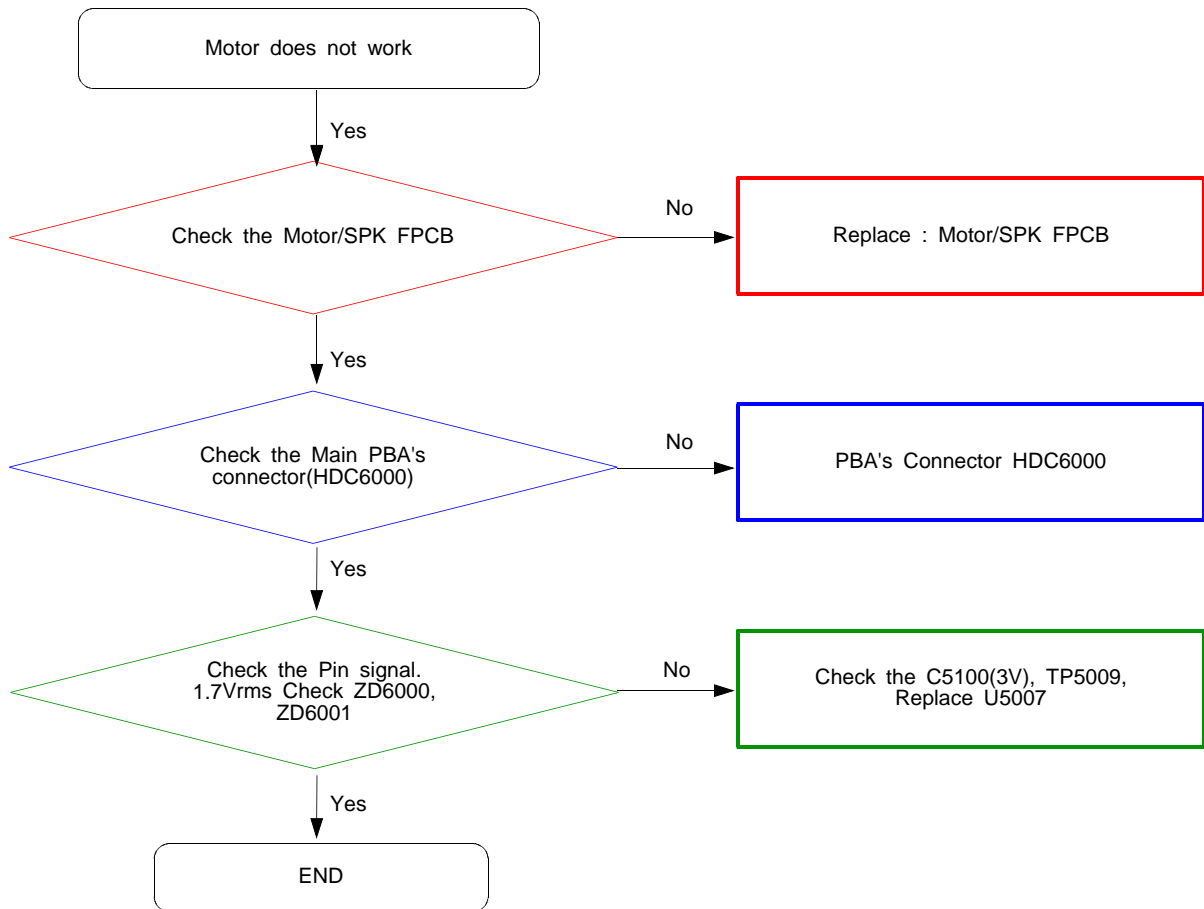
8-3-14. MHL

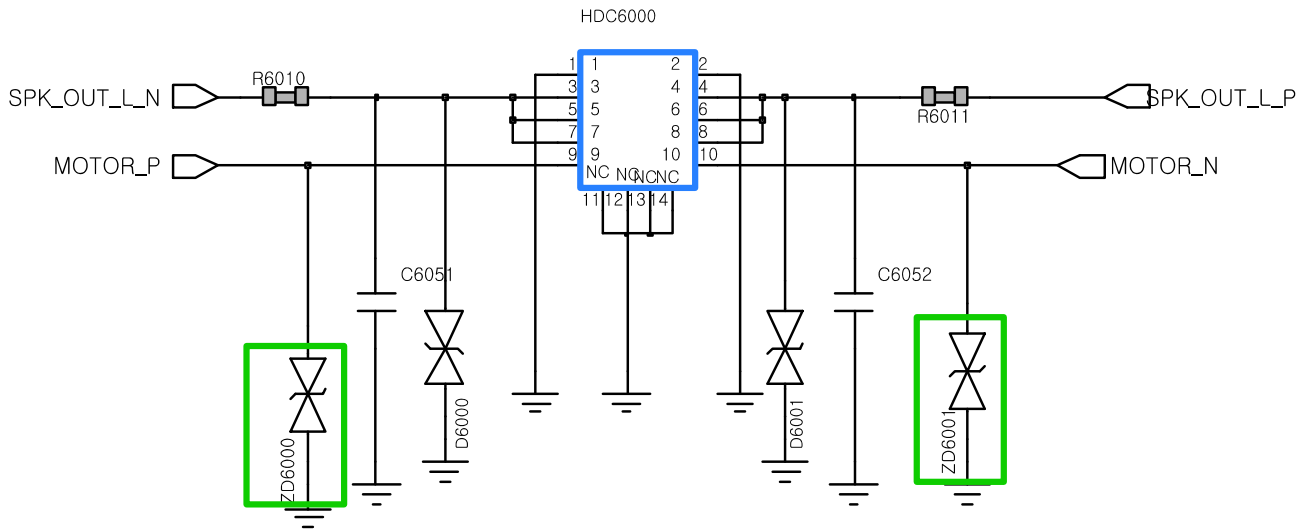






8-3-15. Motor

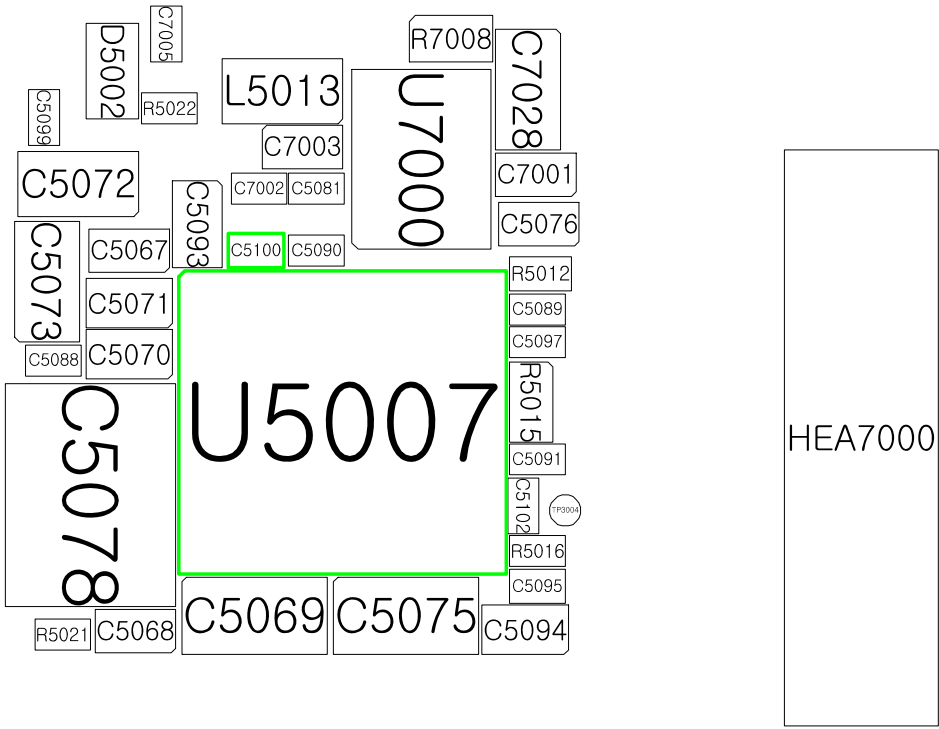
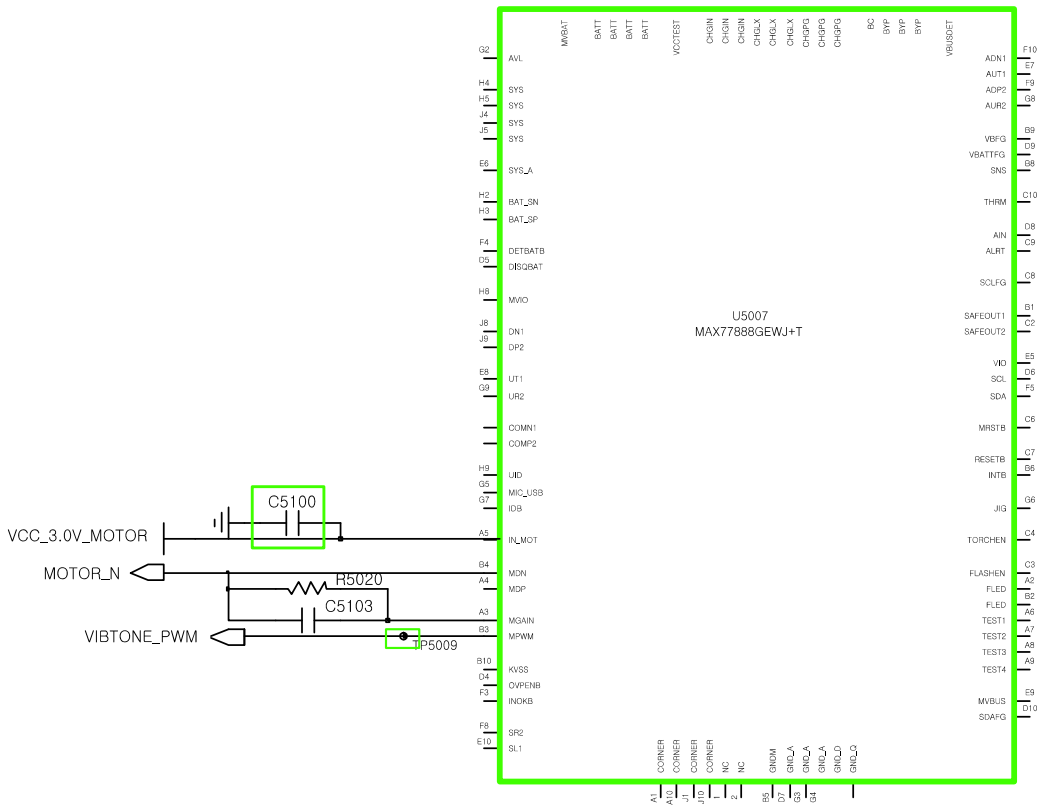




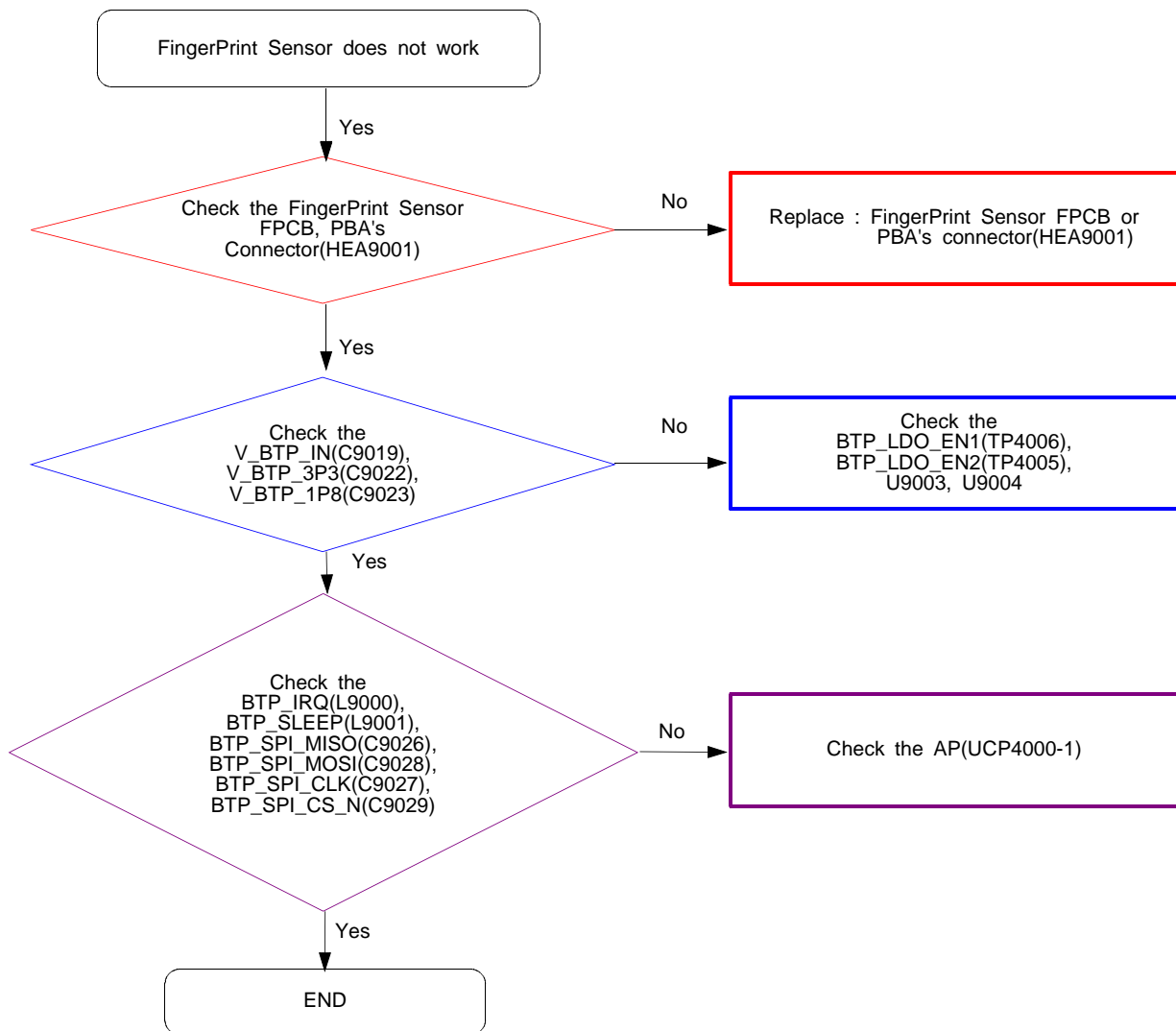
ZD6001

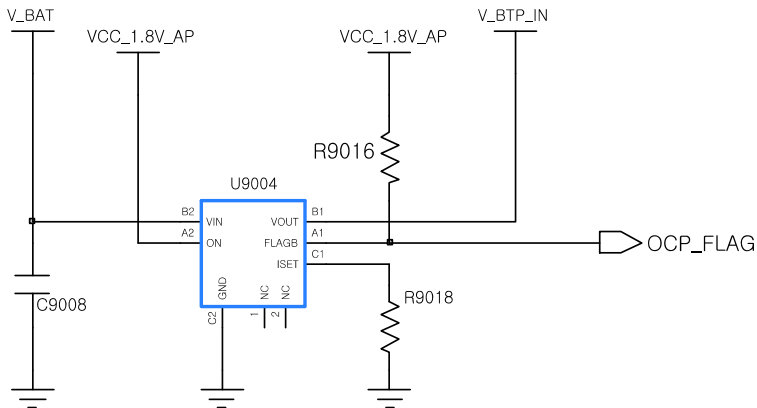
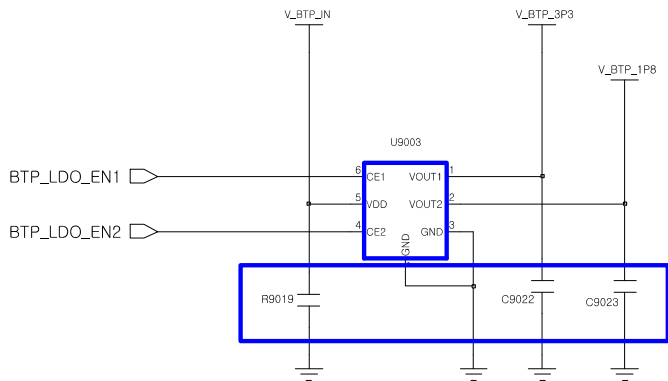
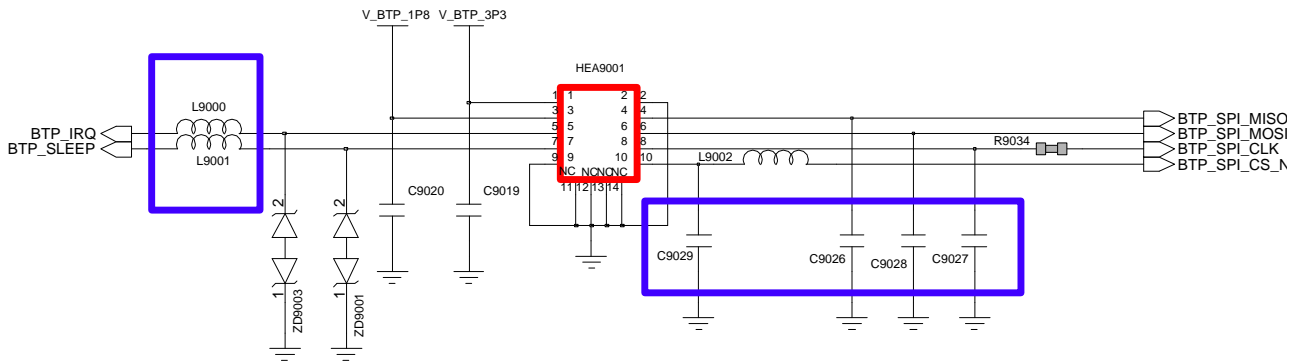
ZD6000

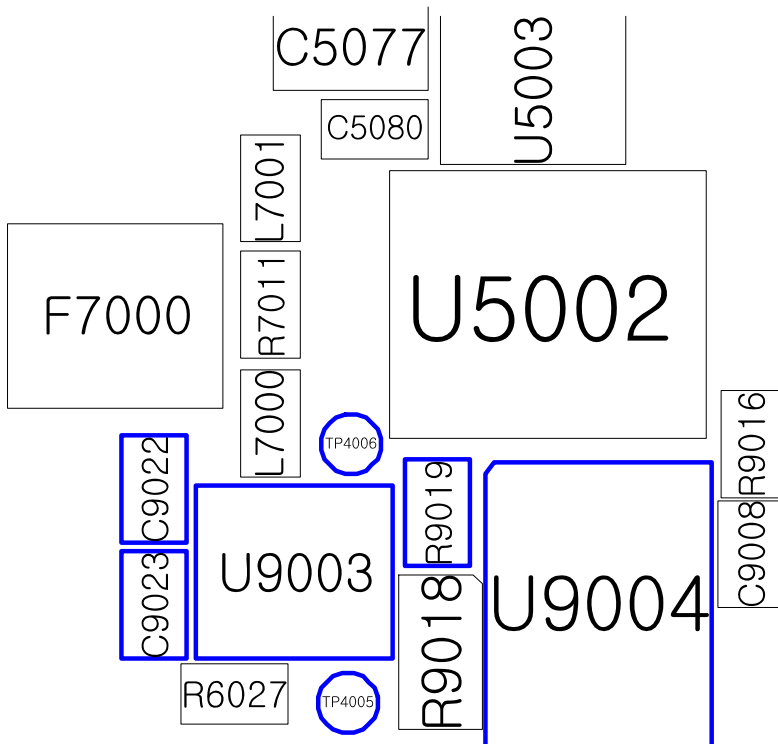
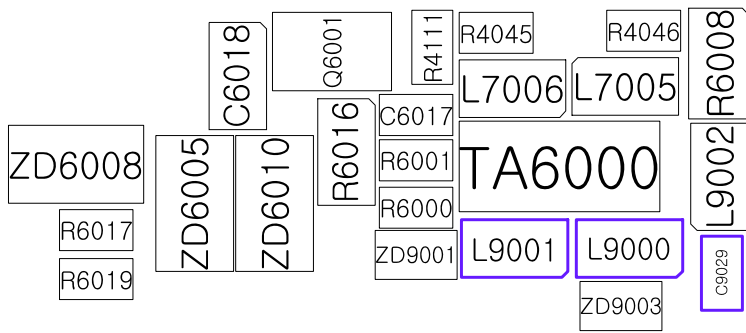
HDC6000



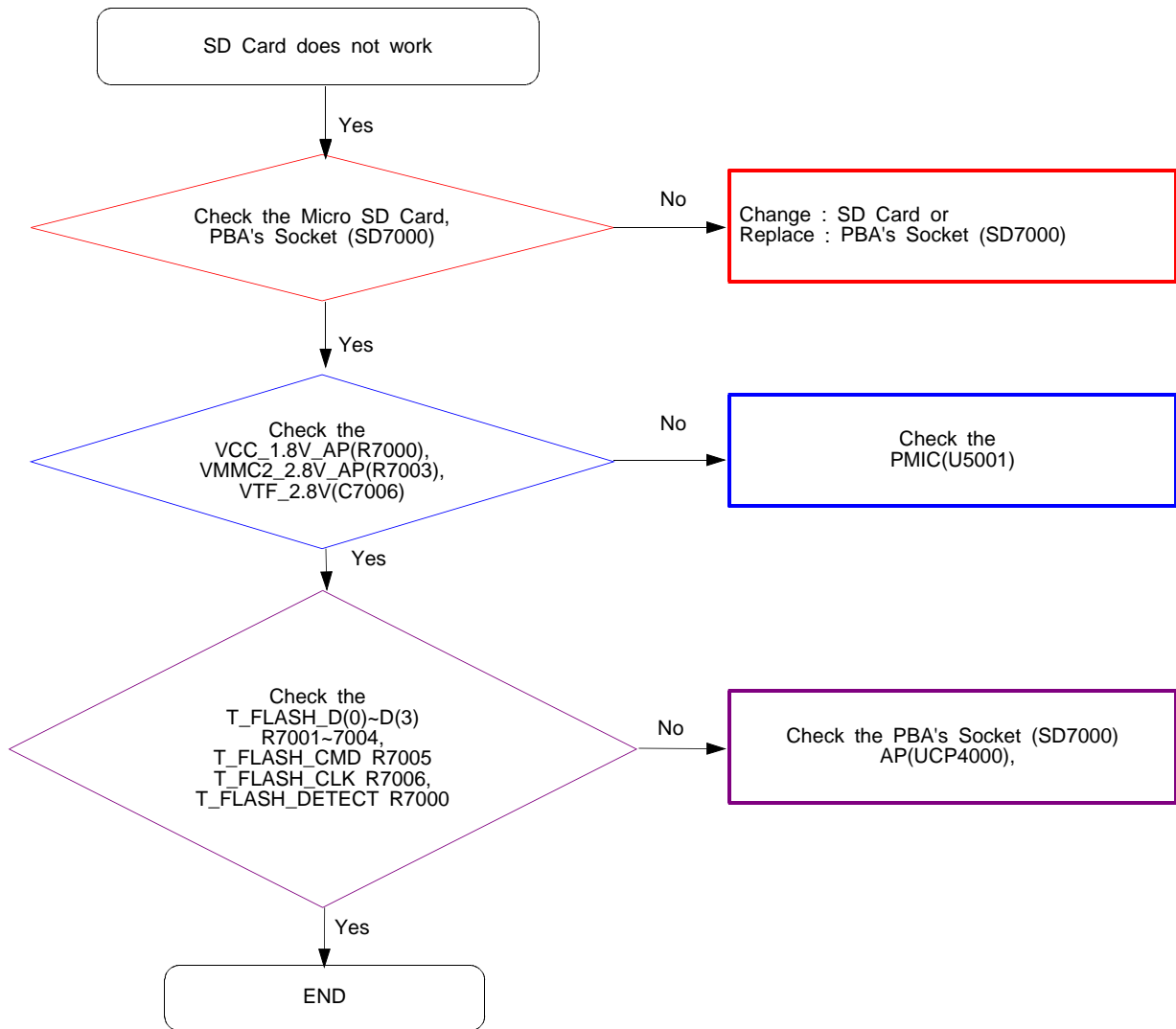
8-3-16. FingerPrint Sensor

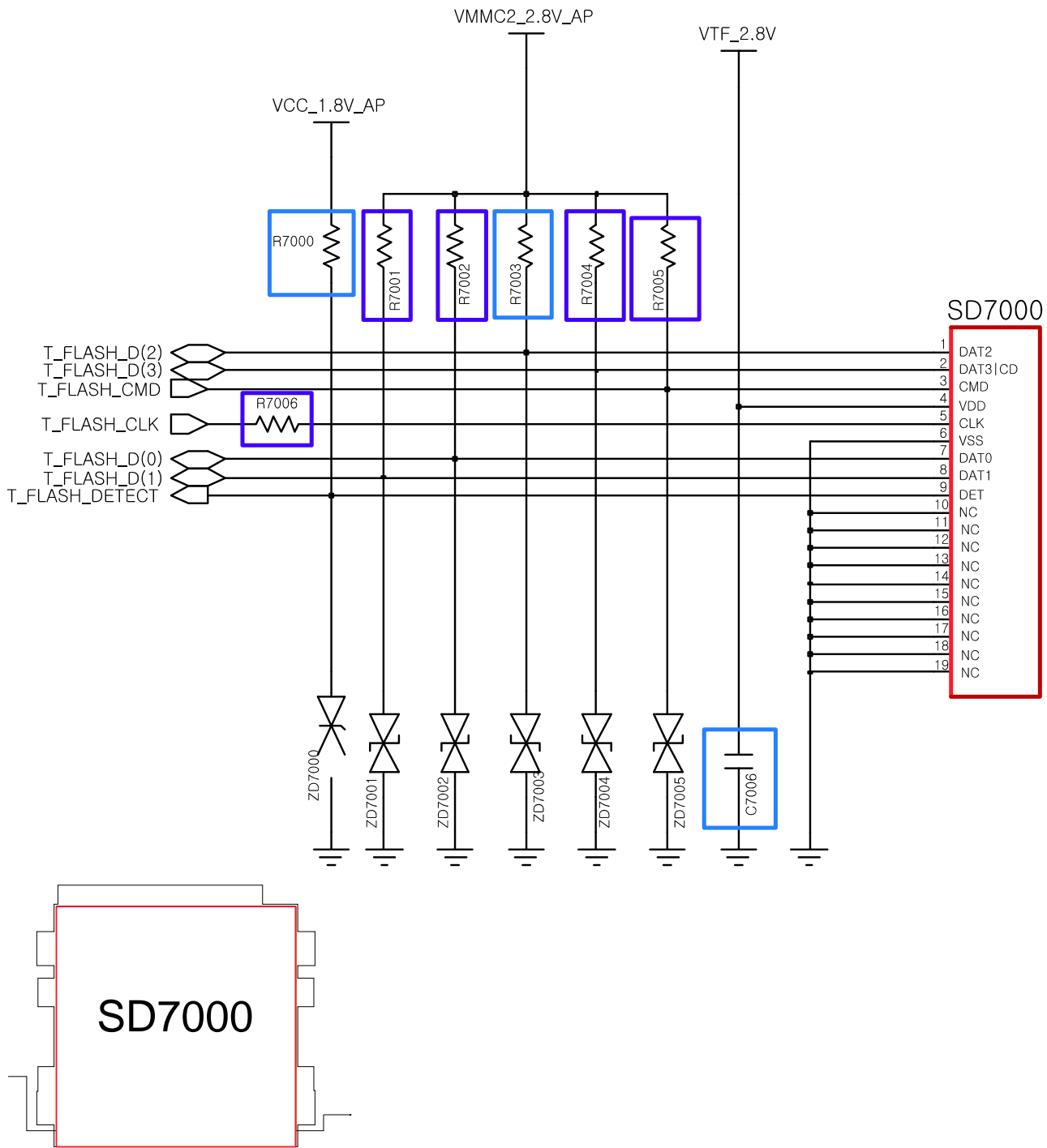


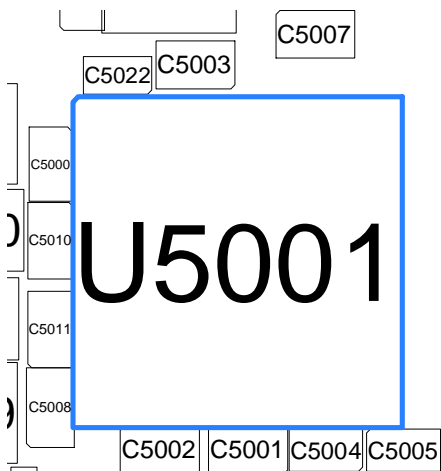
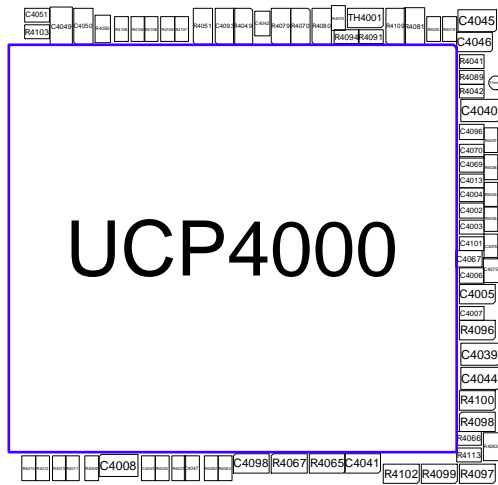
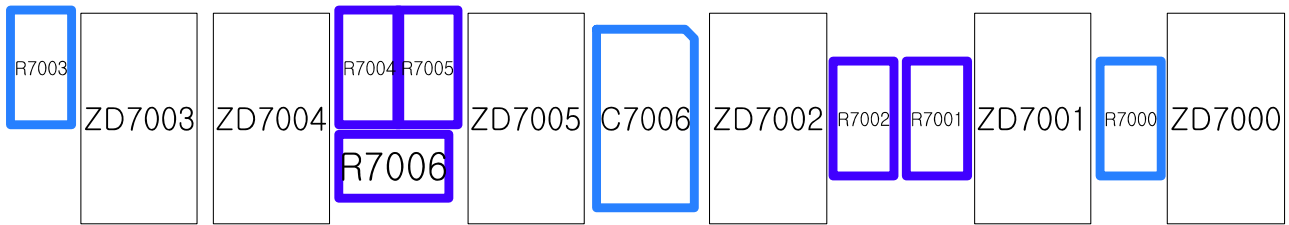




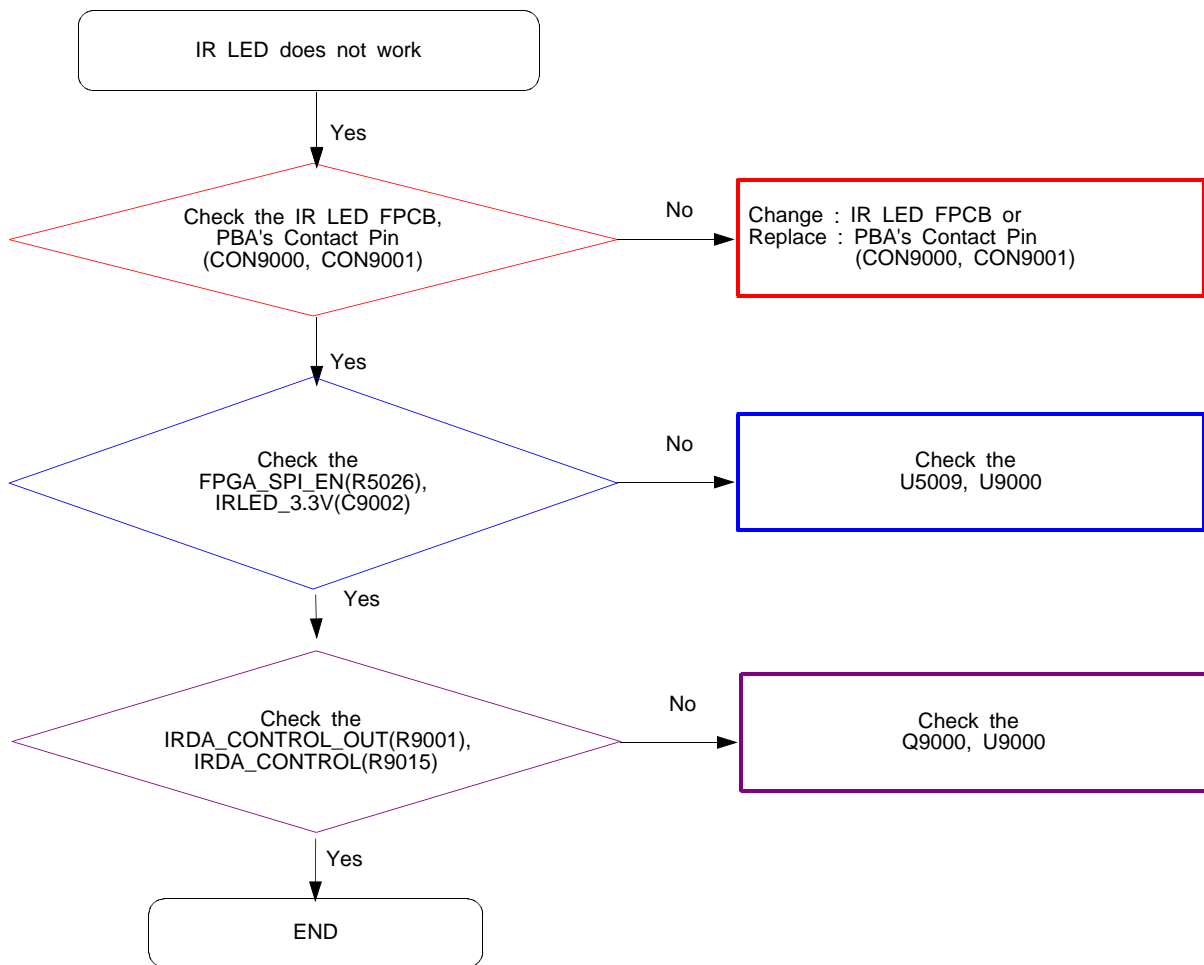
8-3-17. SD Part

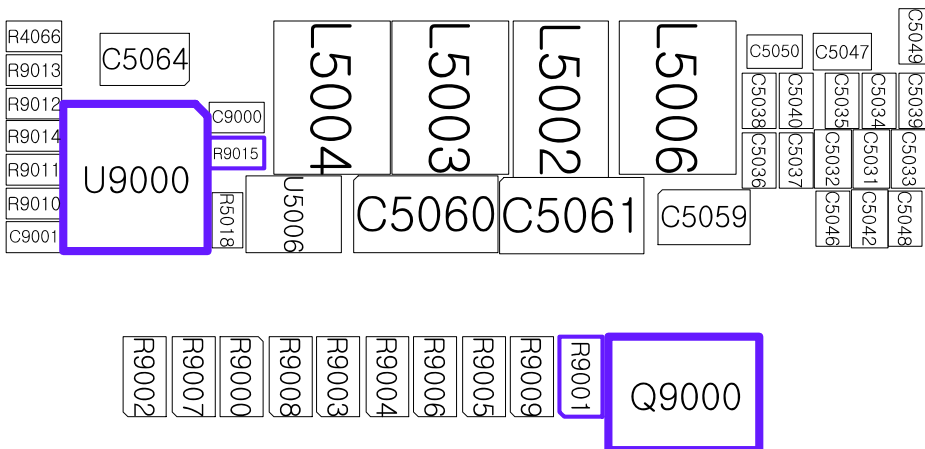
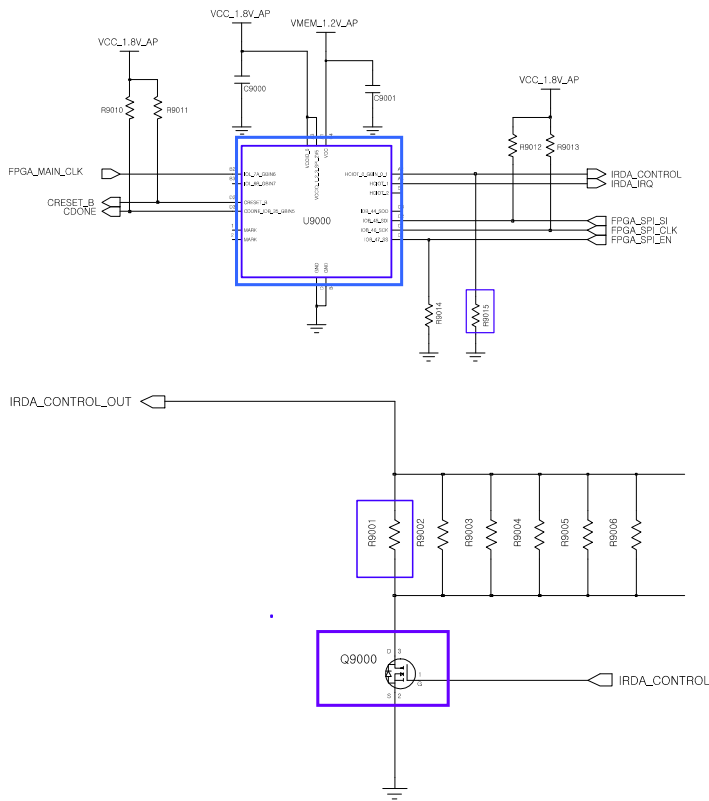






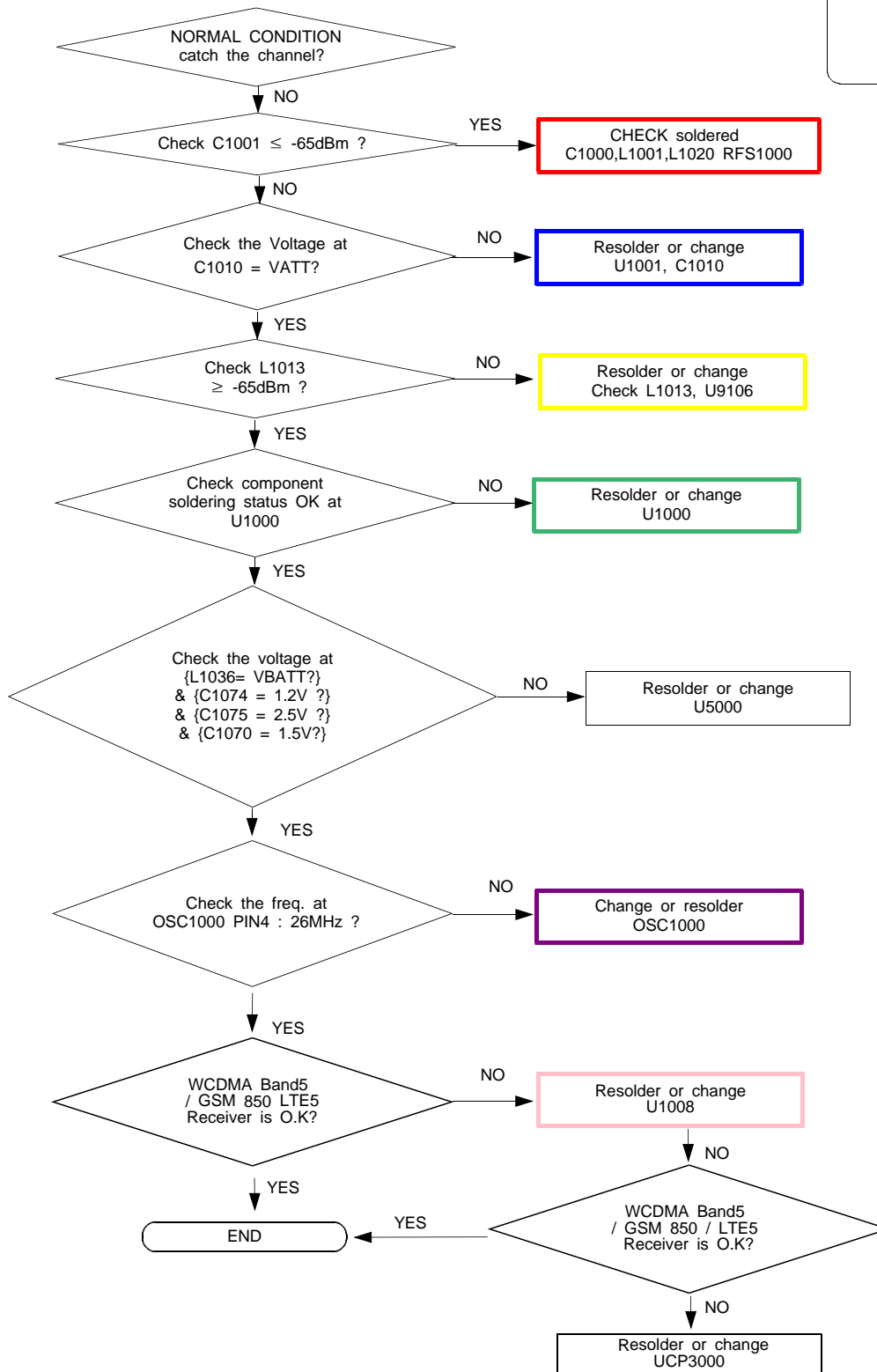
8-3-18. IR LED Part

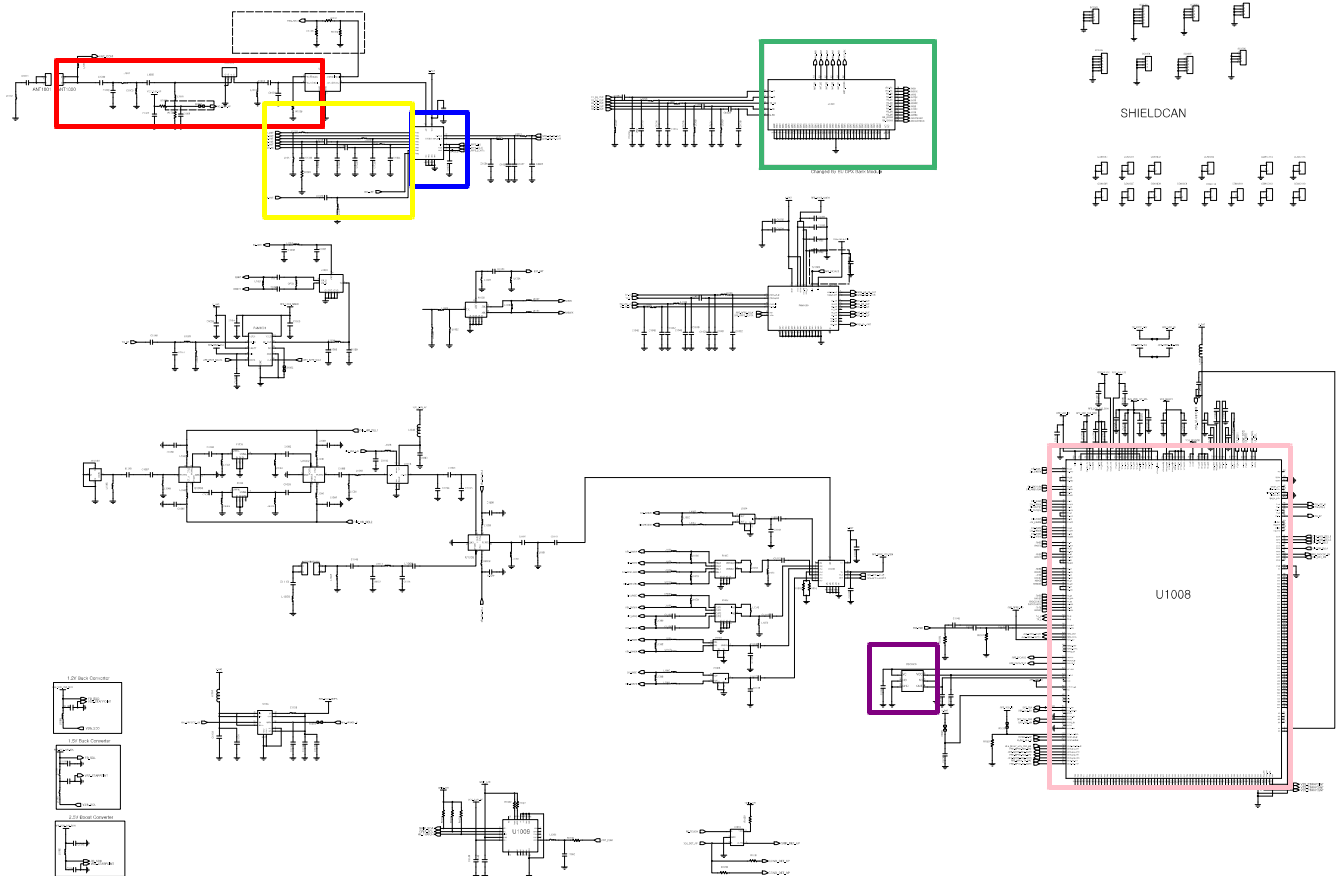


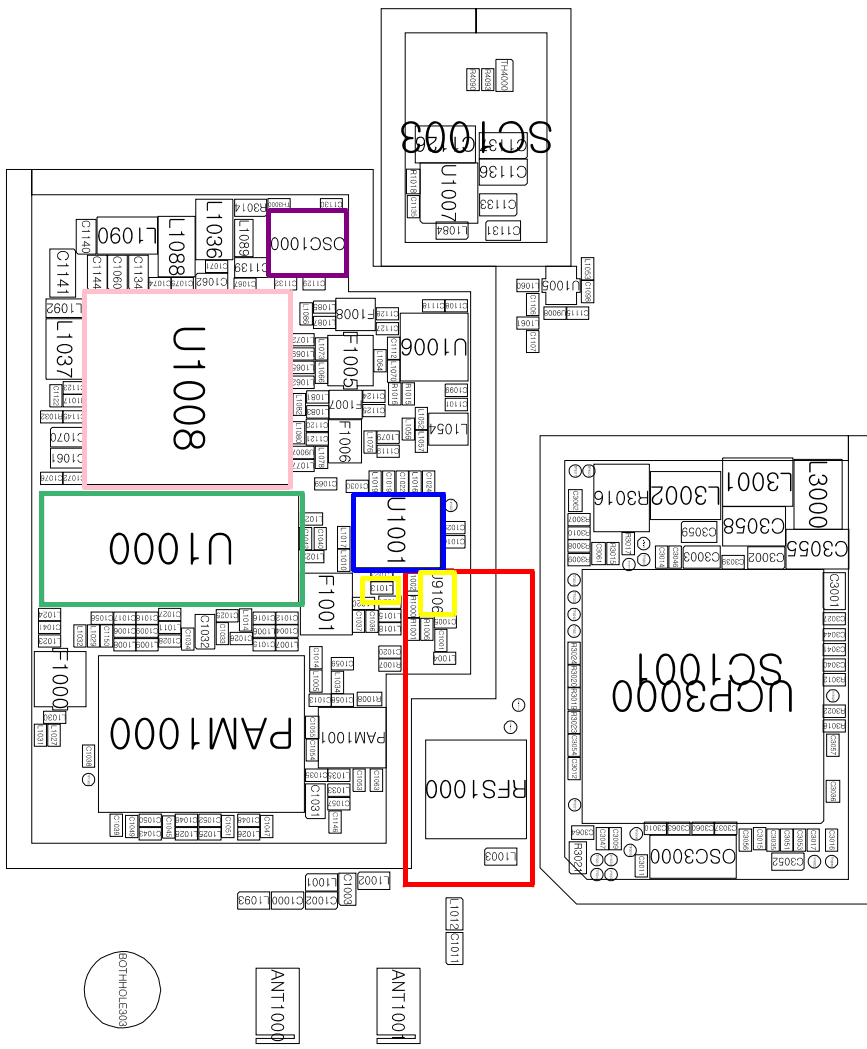


8-3-19. GSM850/ WCDMA Band5 / LTE5 RX

CONTINUO
 US RX ON
 RF INPUT : 4408CH
 AMP : -50dBm

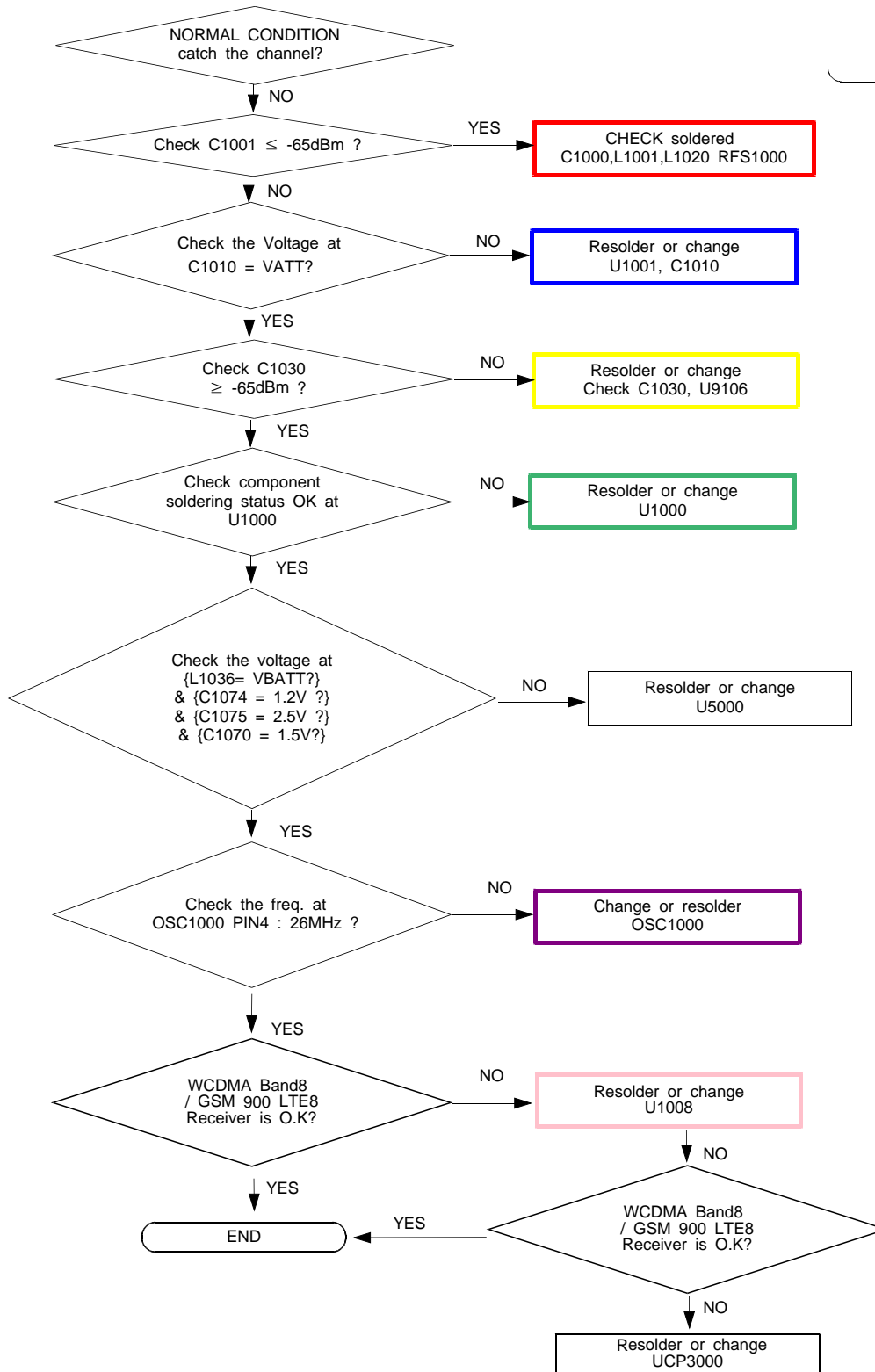


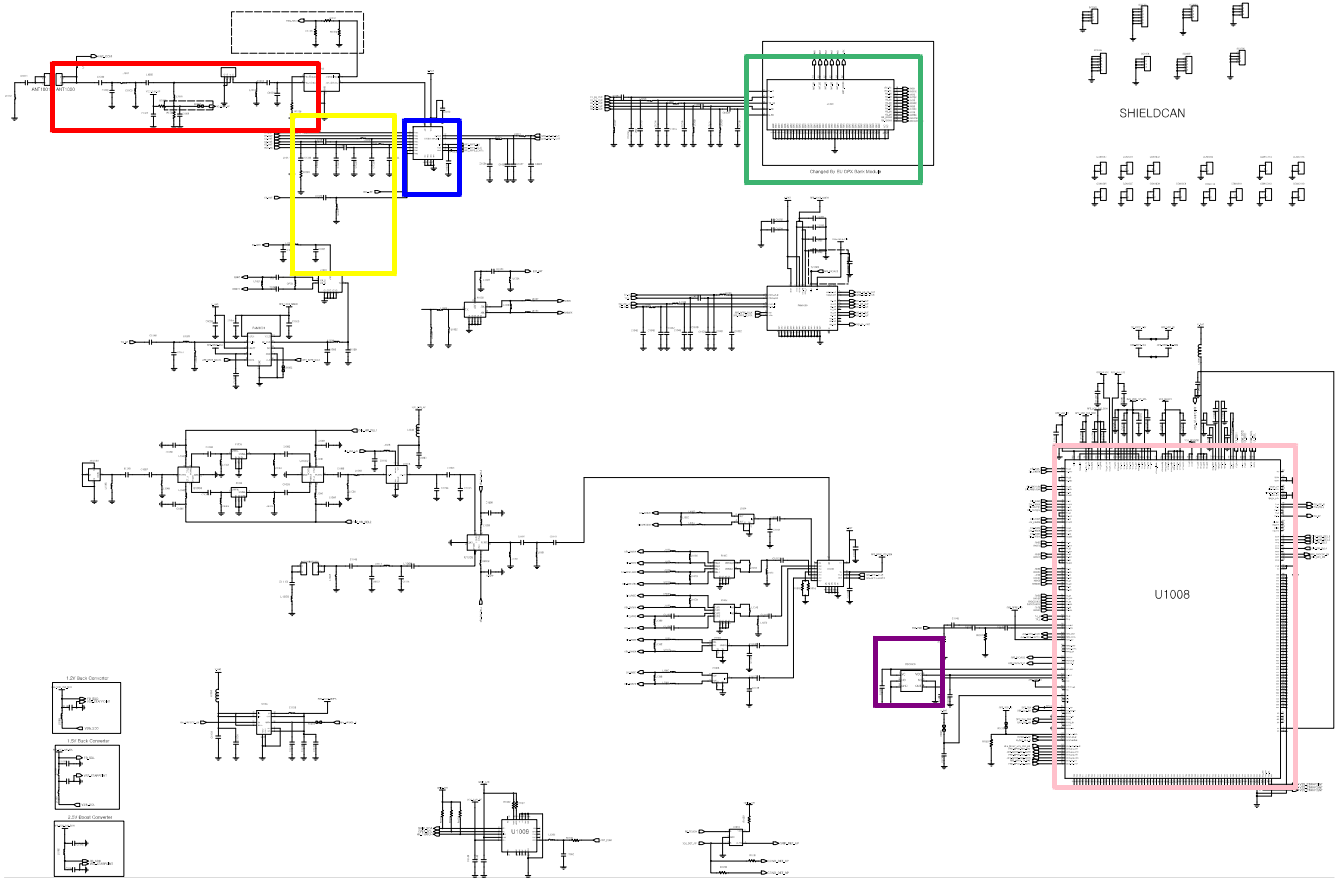


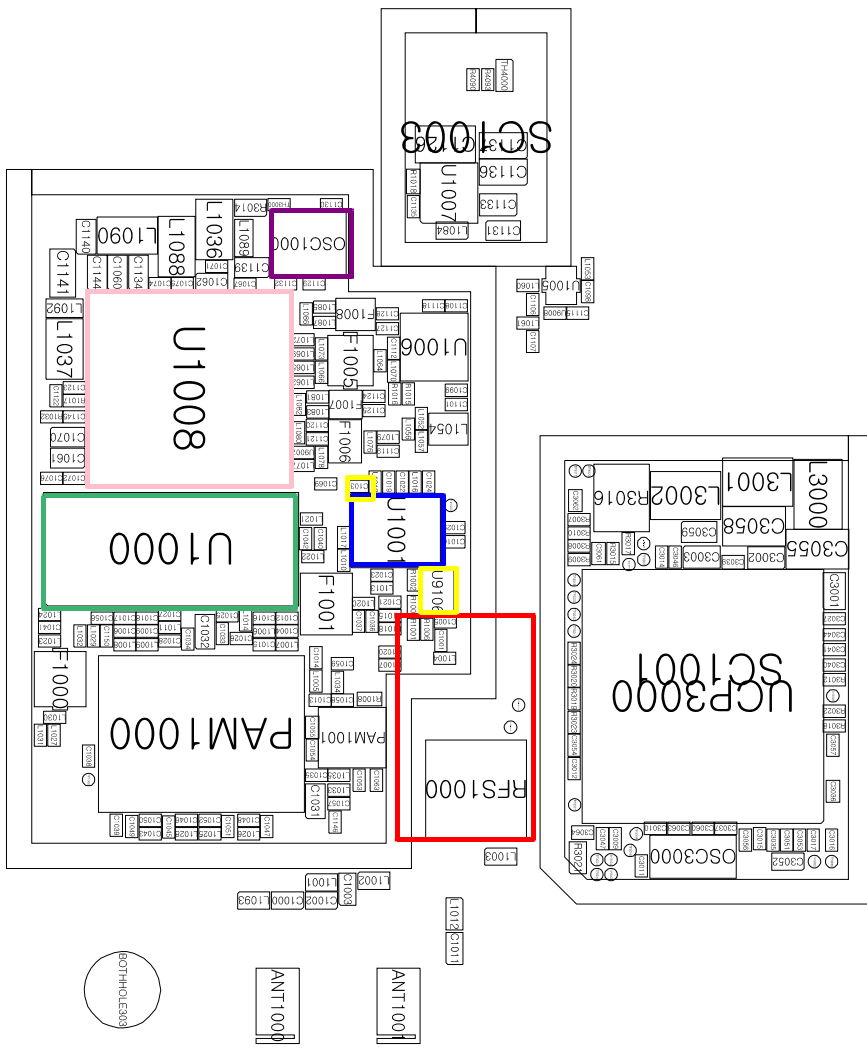


8-3-20. GSM900/ WCDMA Band8 / LTE8 RX

CONTINUO
 US RX ON
 RF INPUT : 3013CH
 AMP : -50dBm

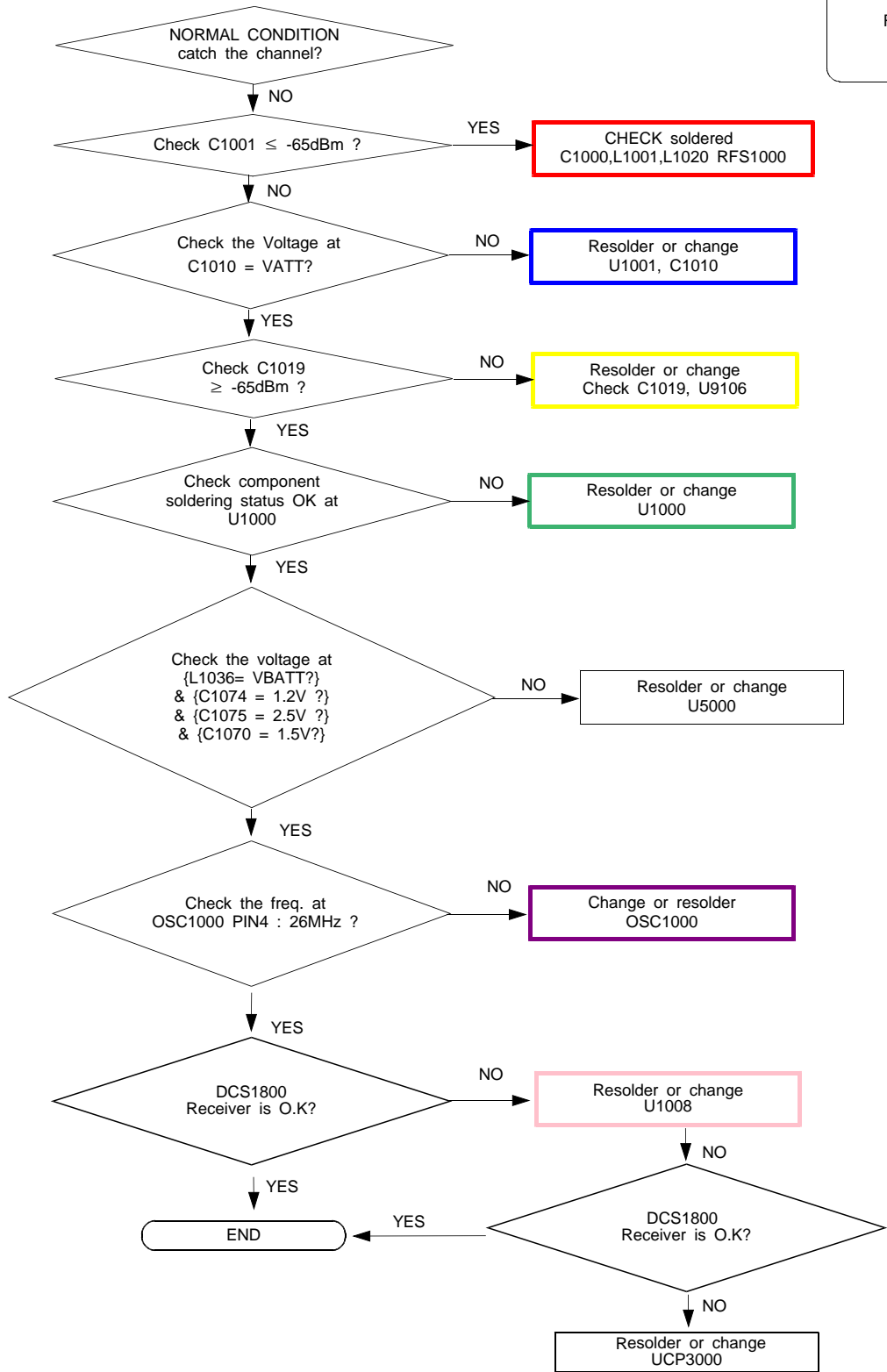


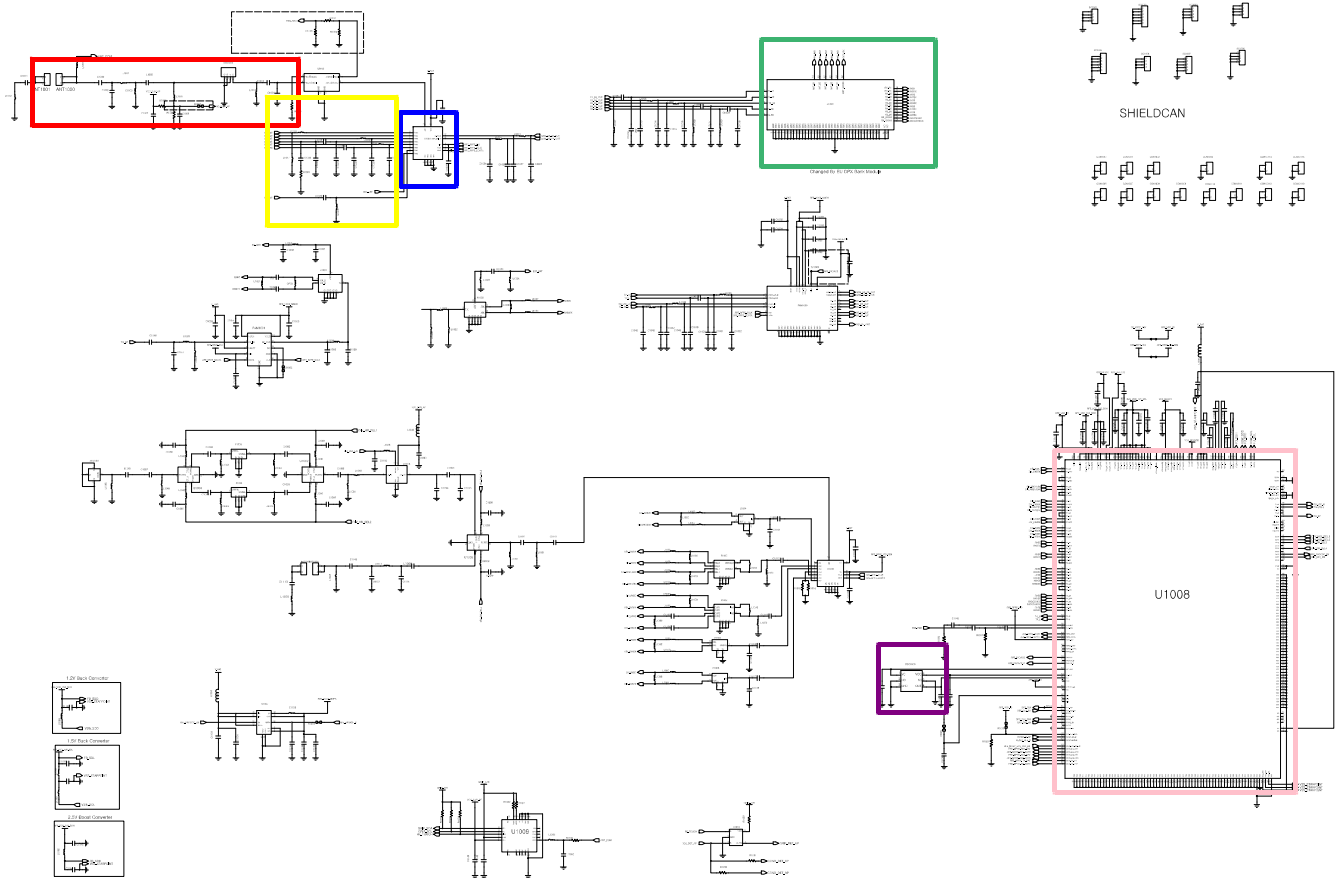


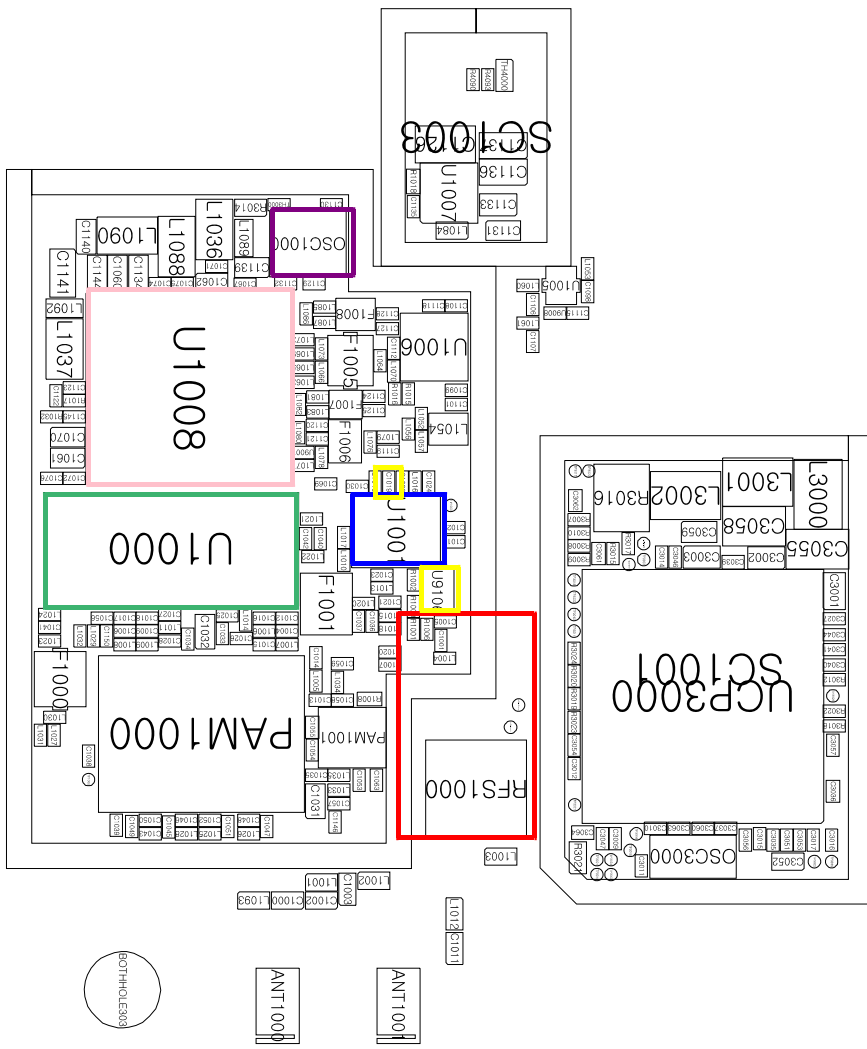


8-3-21. GSM1800 RX

CONTINUOUS RX ON
RF INPUT : 698CH
AMP : -50dBm

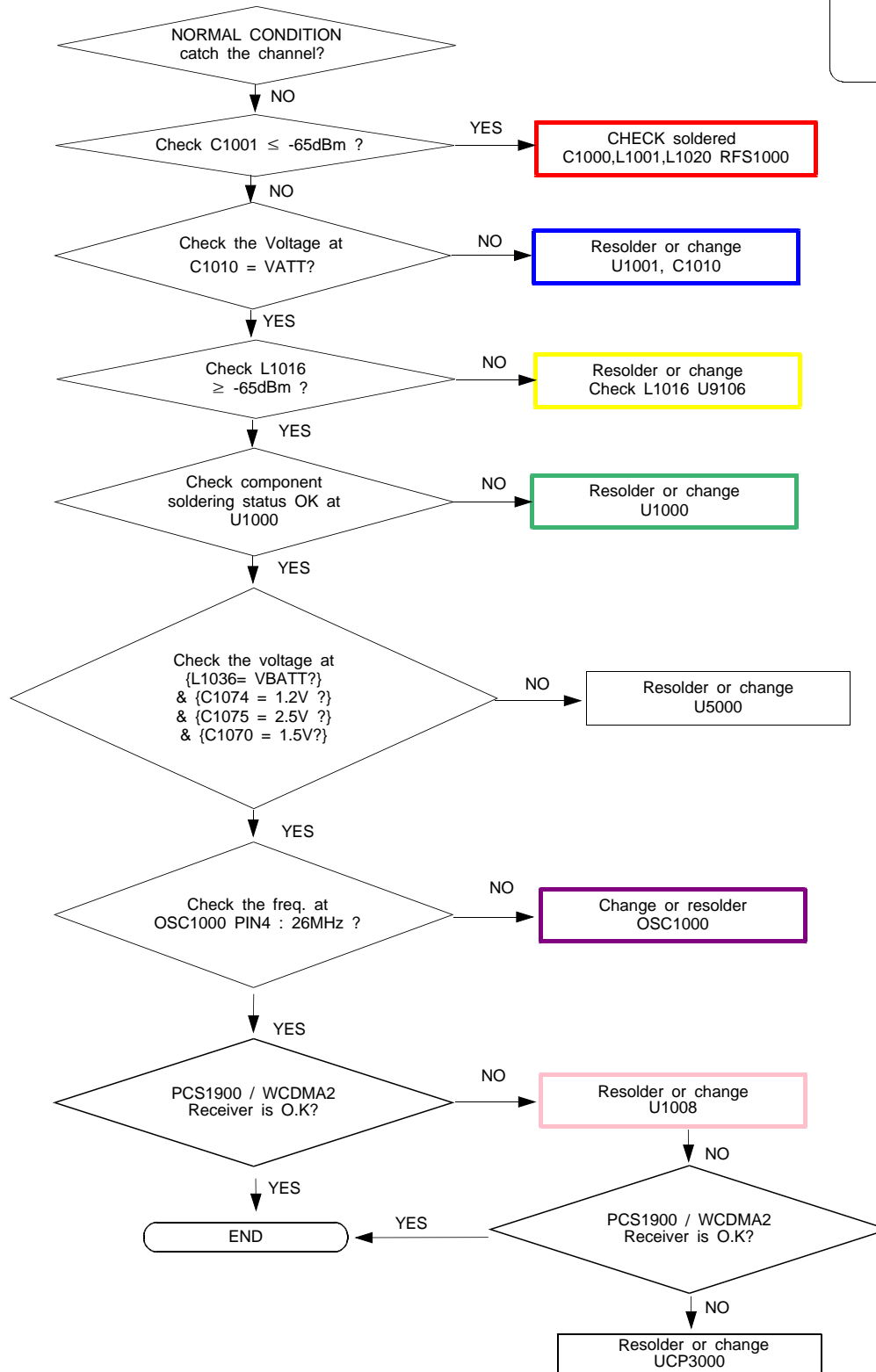


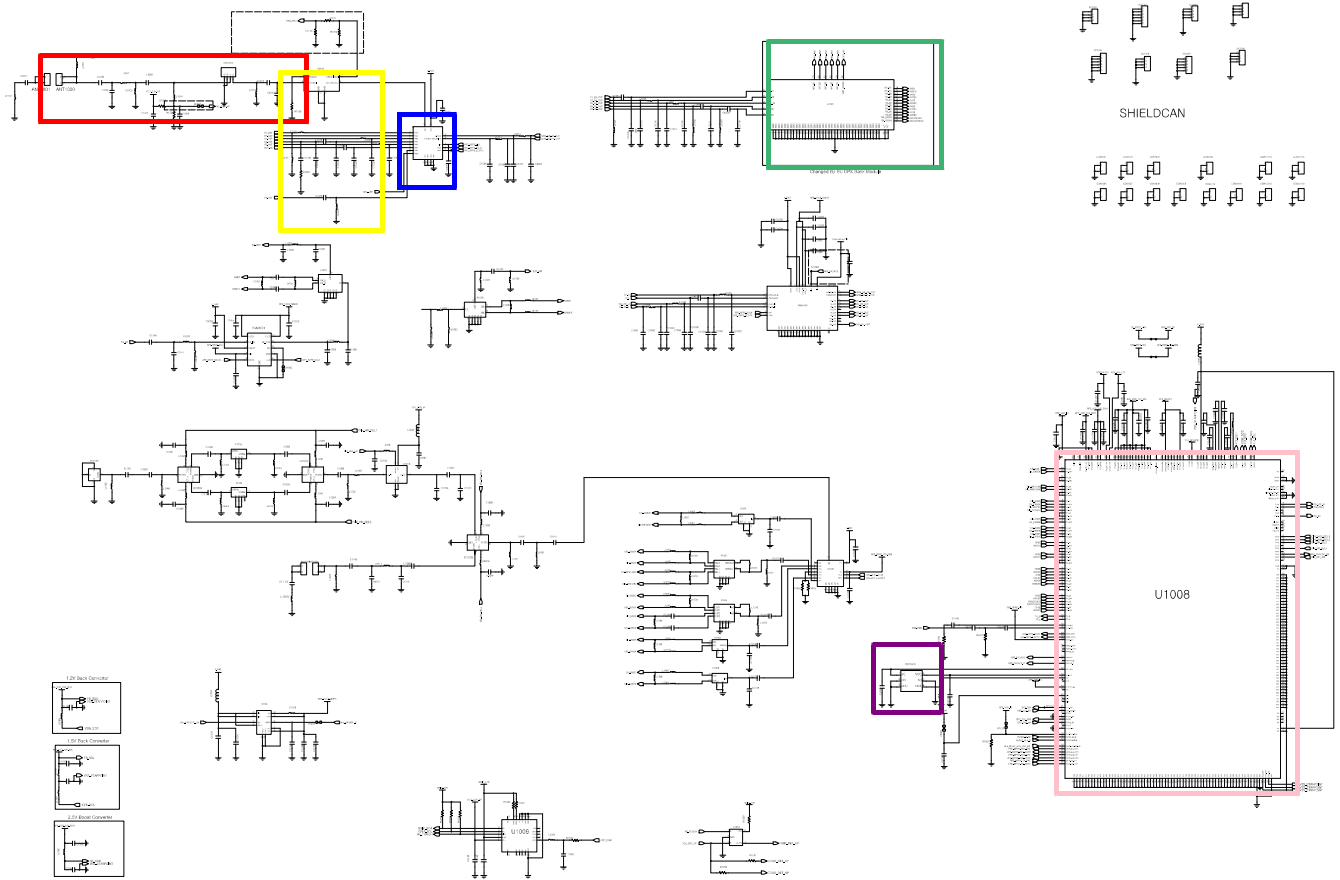




8-3-22. GSM1900/ WCDMA Band2 RX

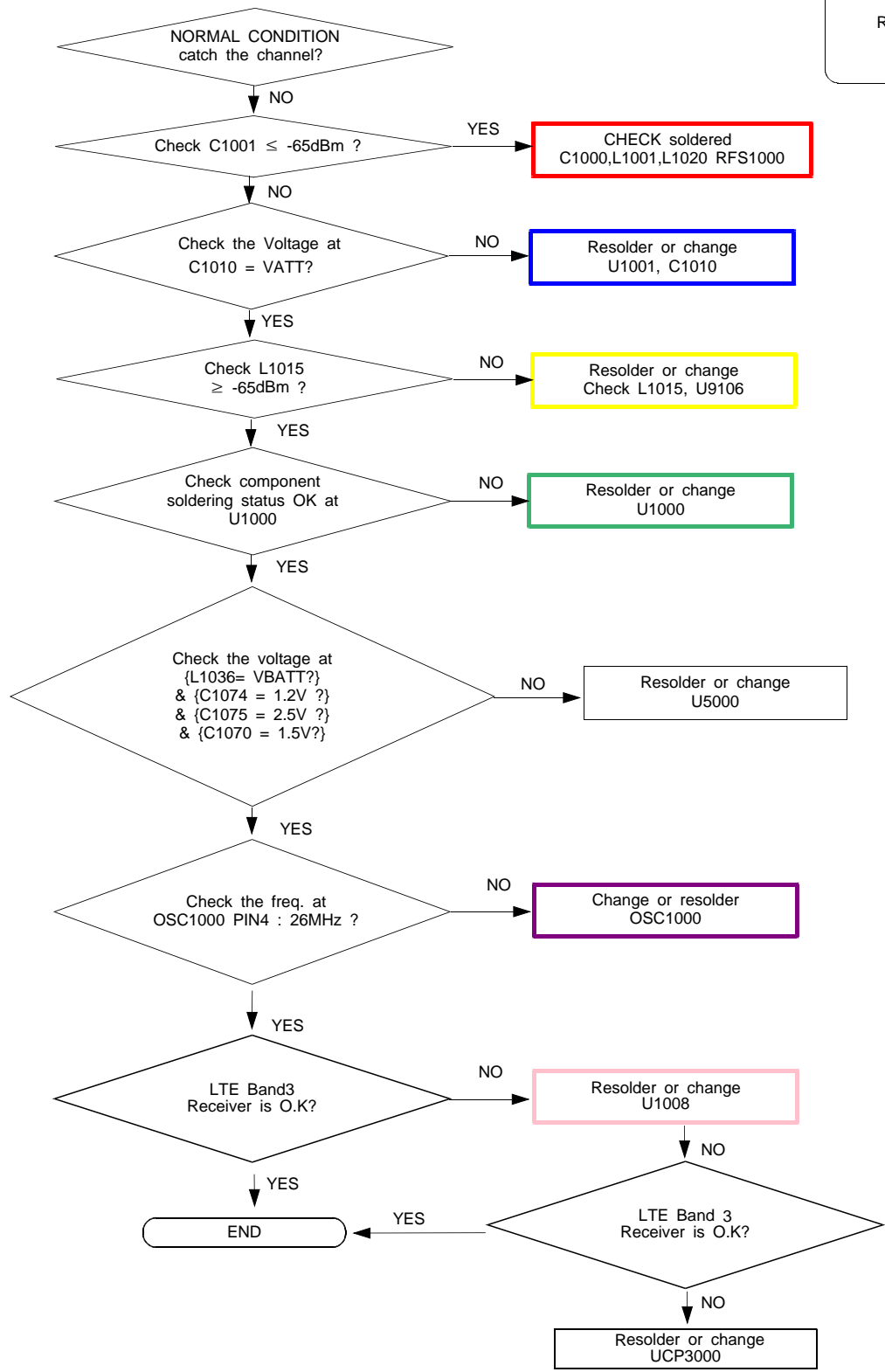
CONTINUOUS RX ON
RF INPUT : 9800CH
AMP : -50dBm

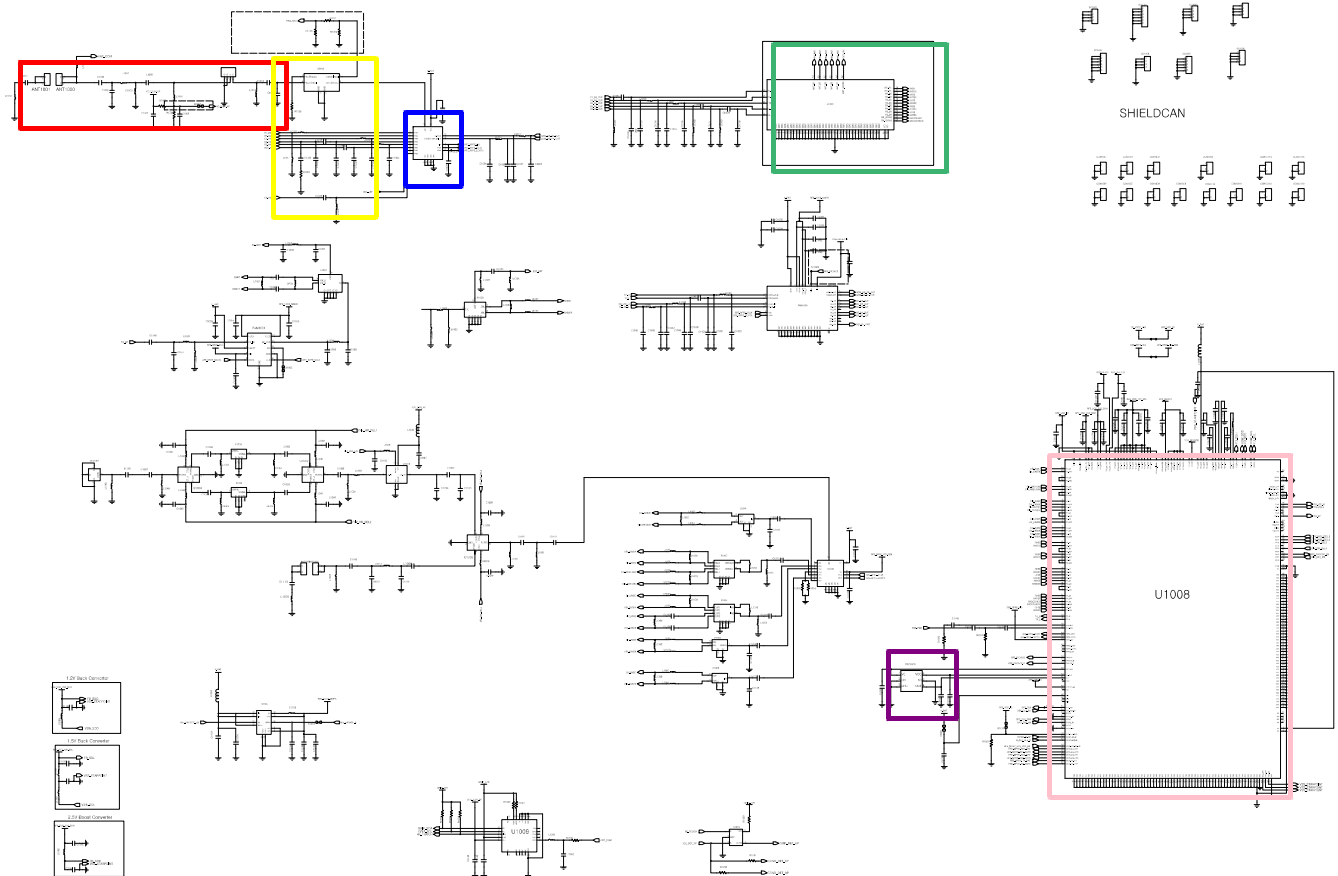




8-3-23. LTE B3 RX

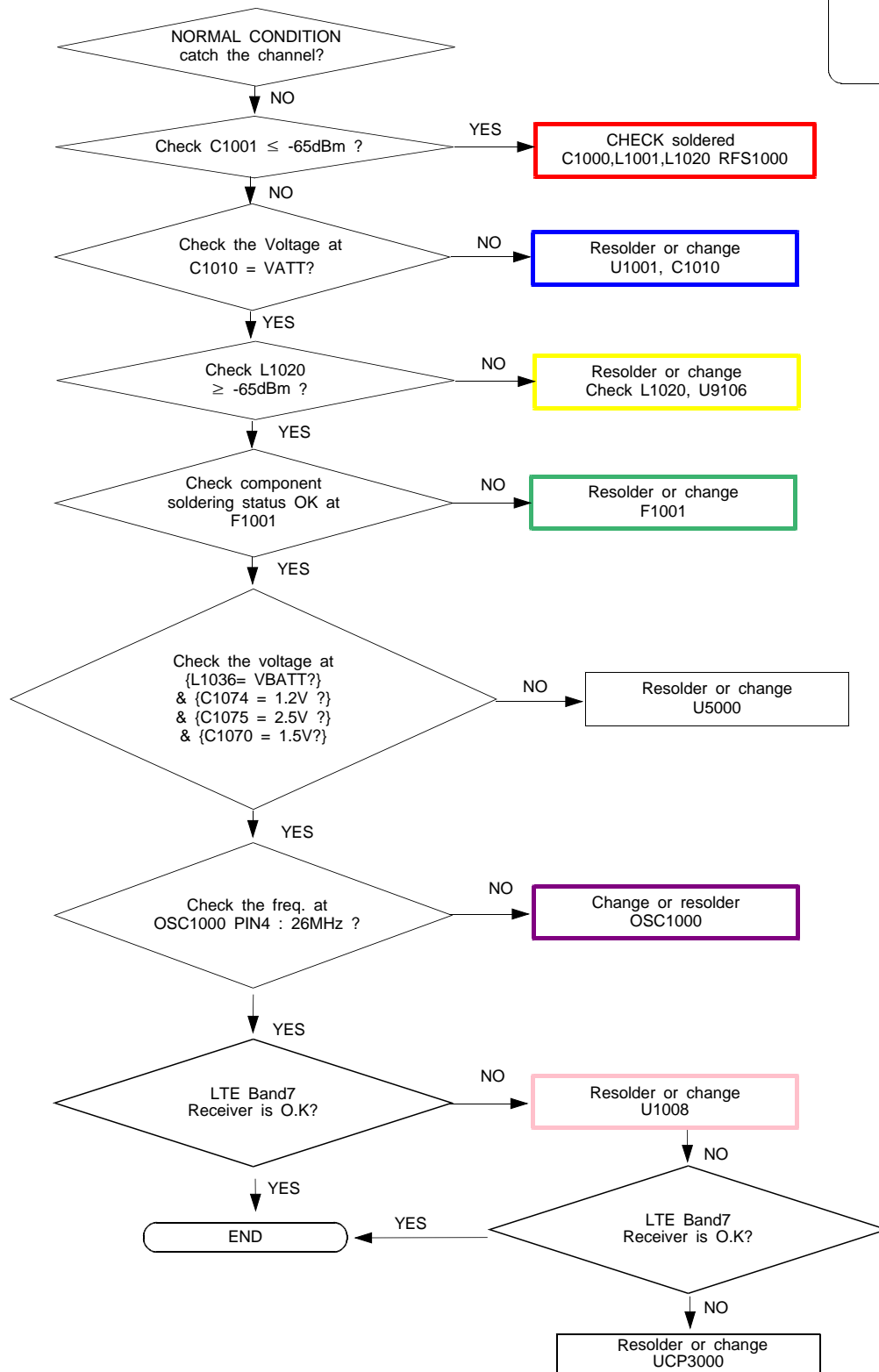
CONTINUOUS RX ON
RF INPUT : 1575CH
AMP : -50dBm

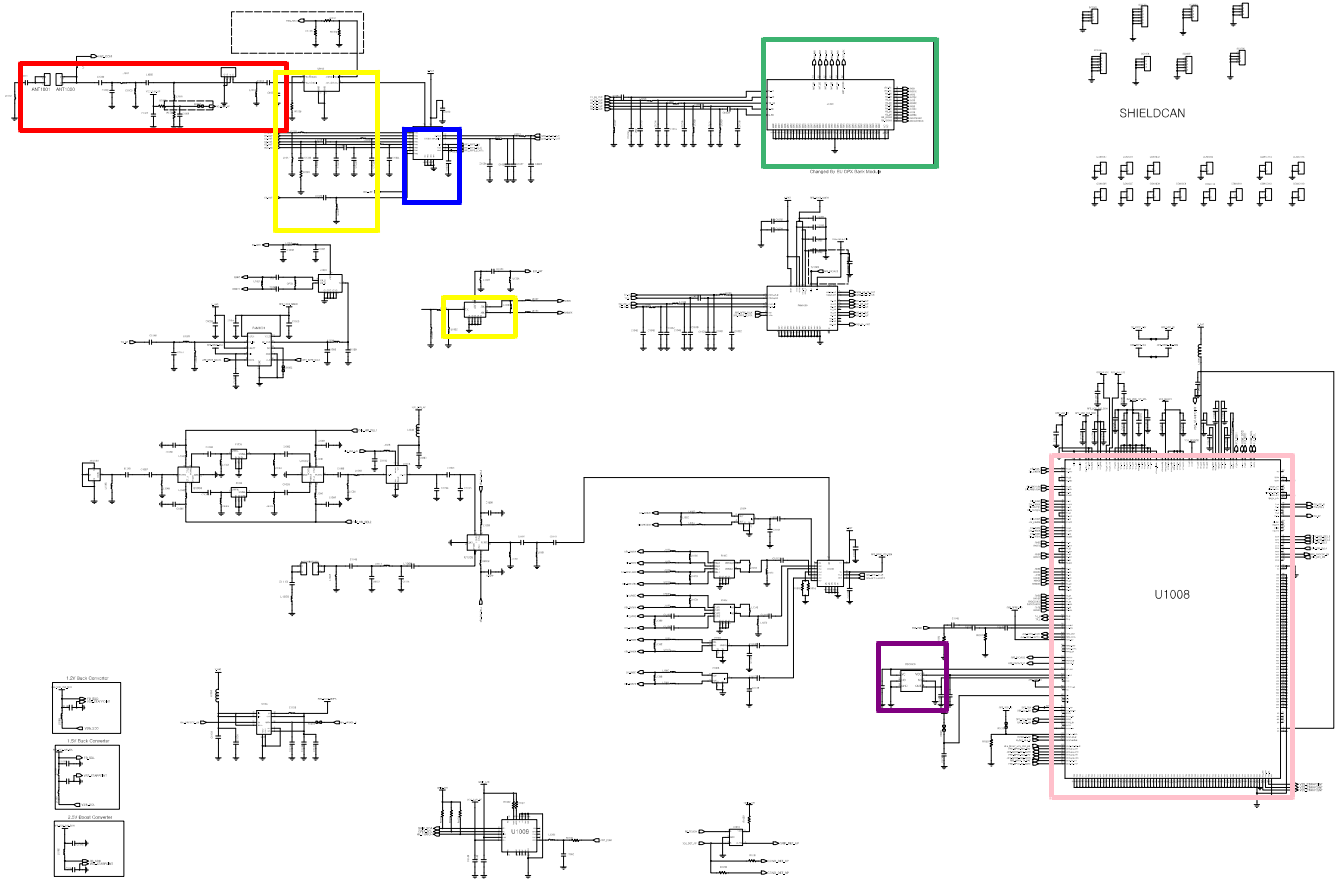


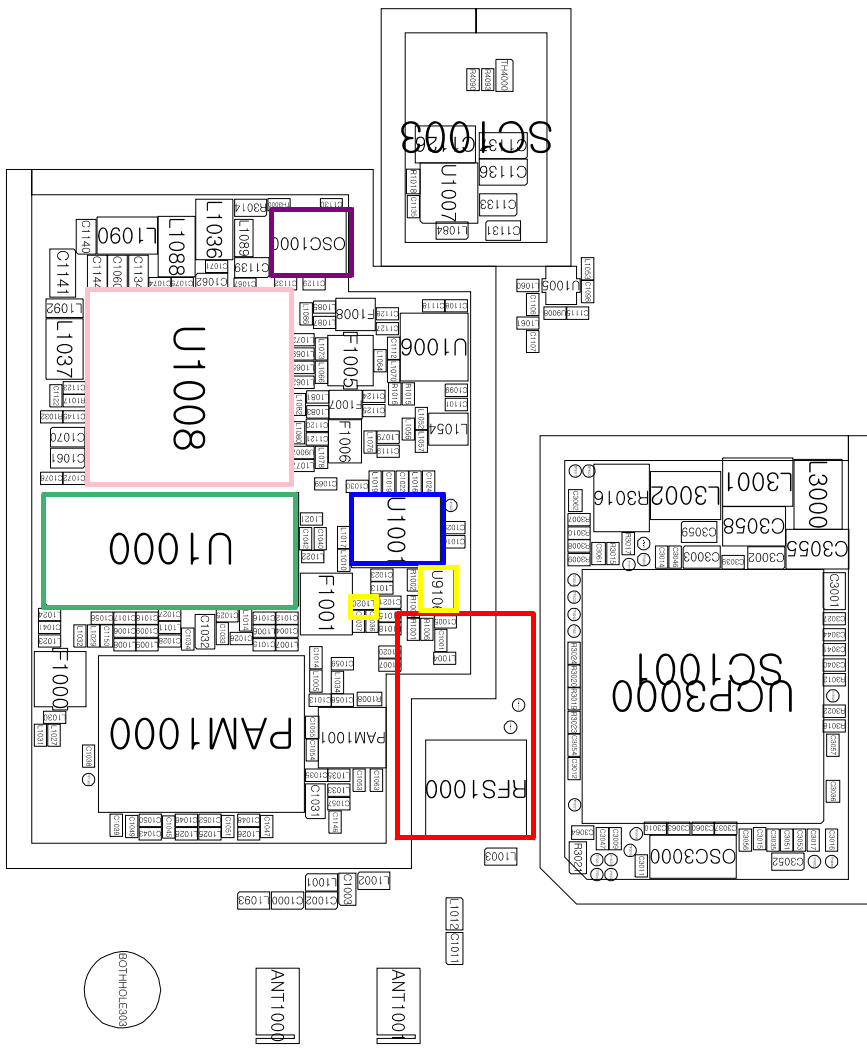


8-3-24. LTE B7 RX

CONTINUOUS RX ON
RF INPUT : 3100CH
AMP : -50dBm

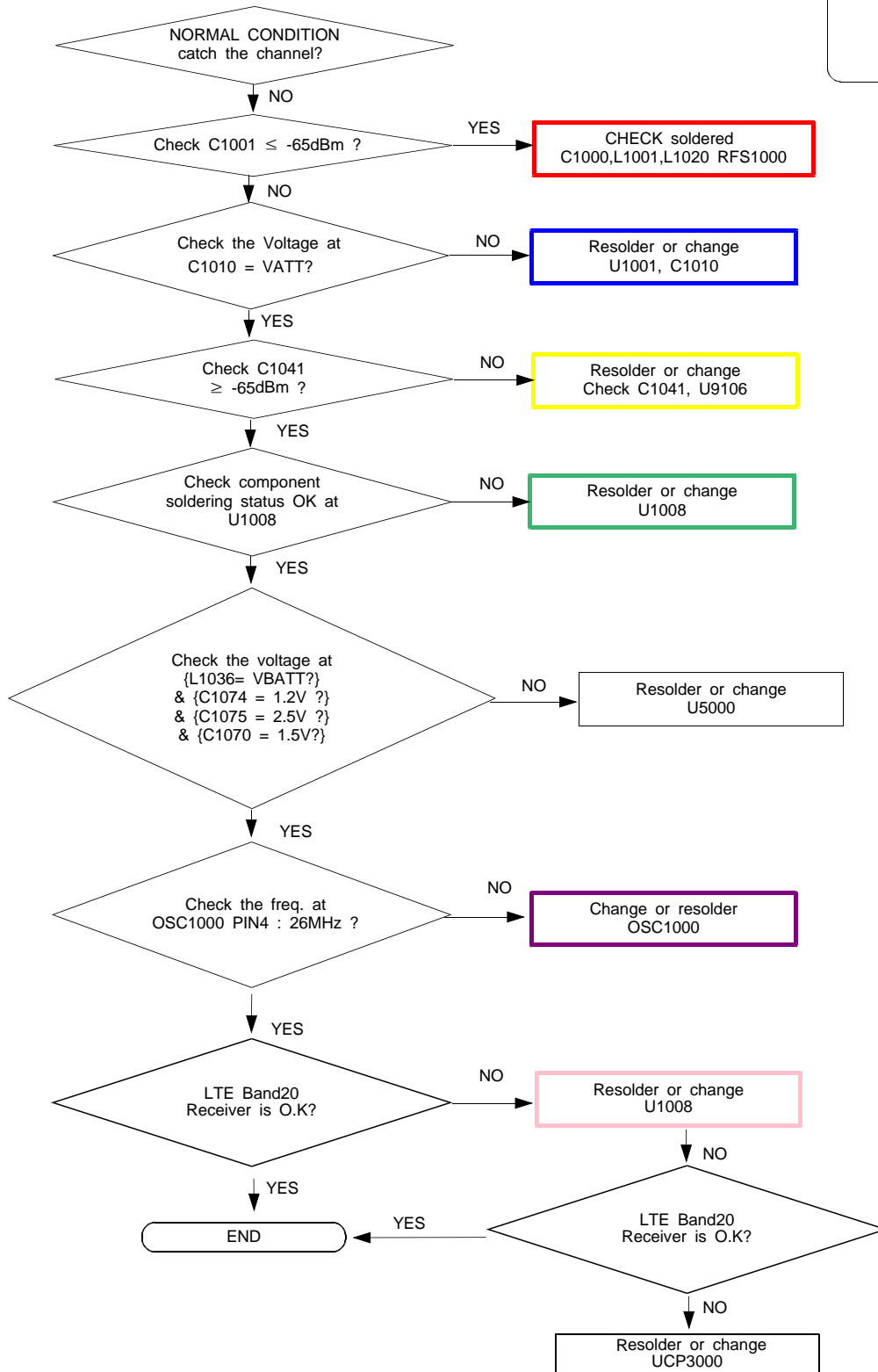


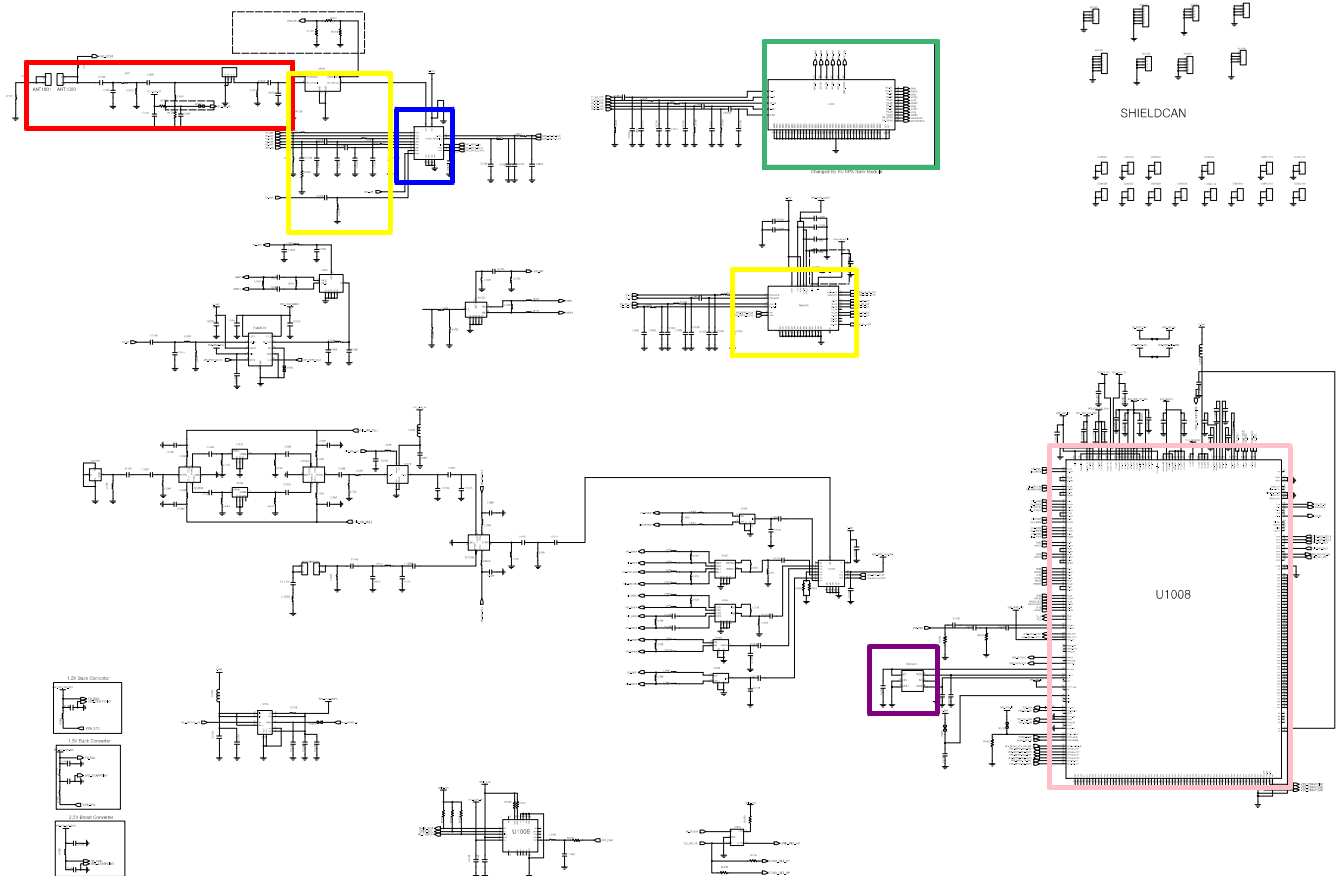


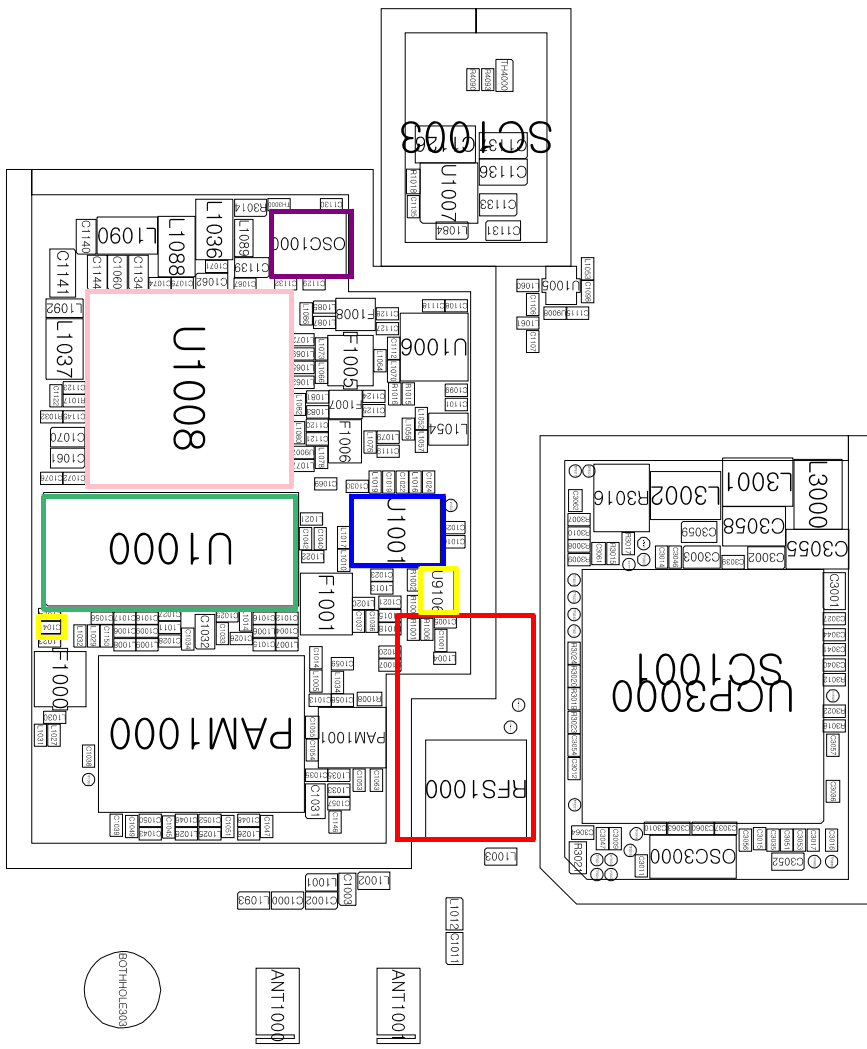


8-3-25. LTE B20 RX

CONTINUOUS RX ON
RF INPUT : 6300CH
AMP : -50dBm

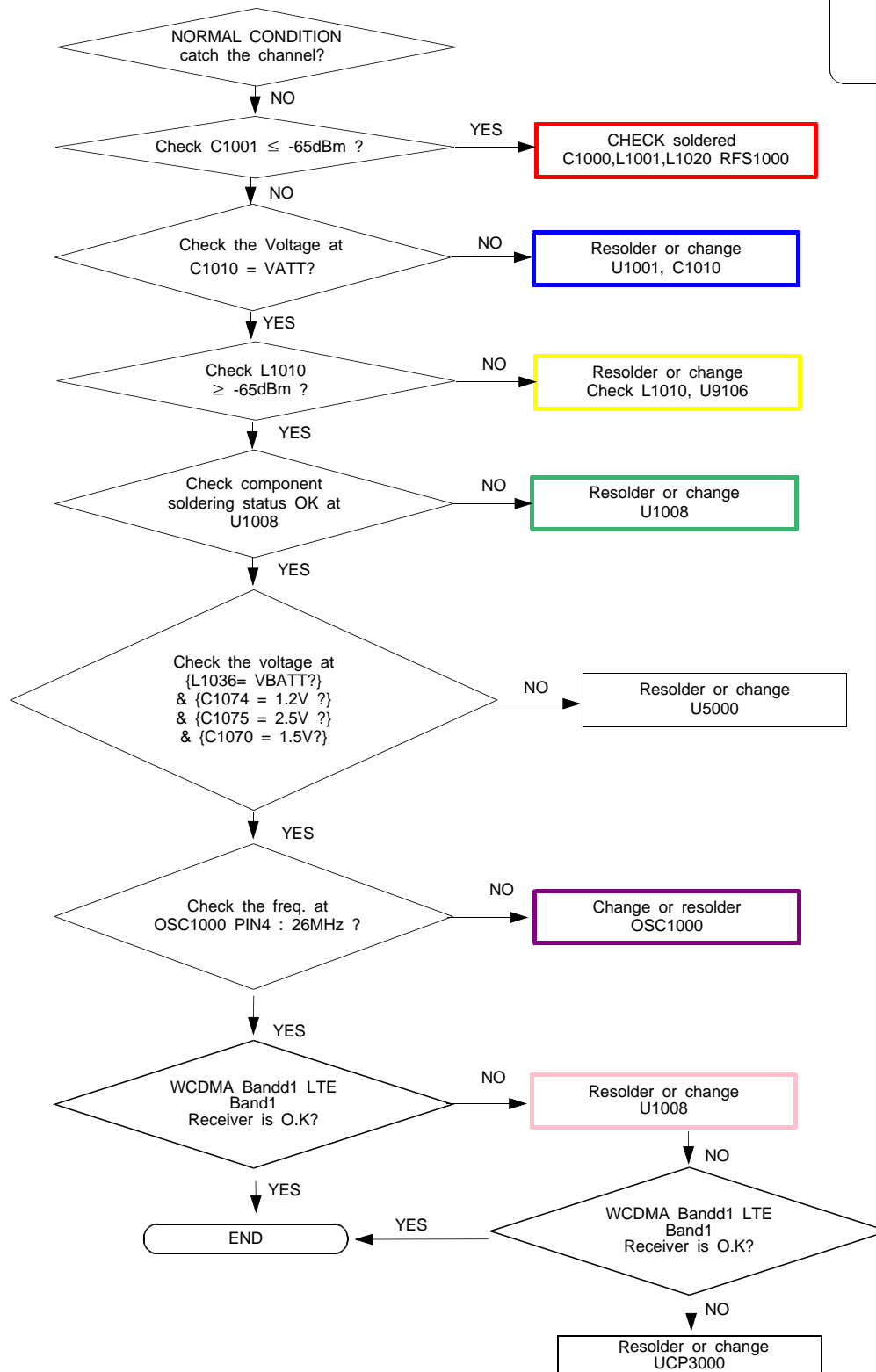


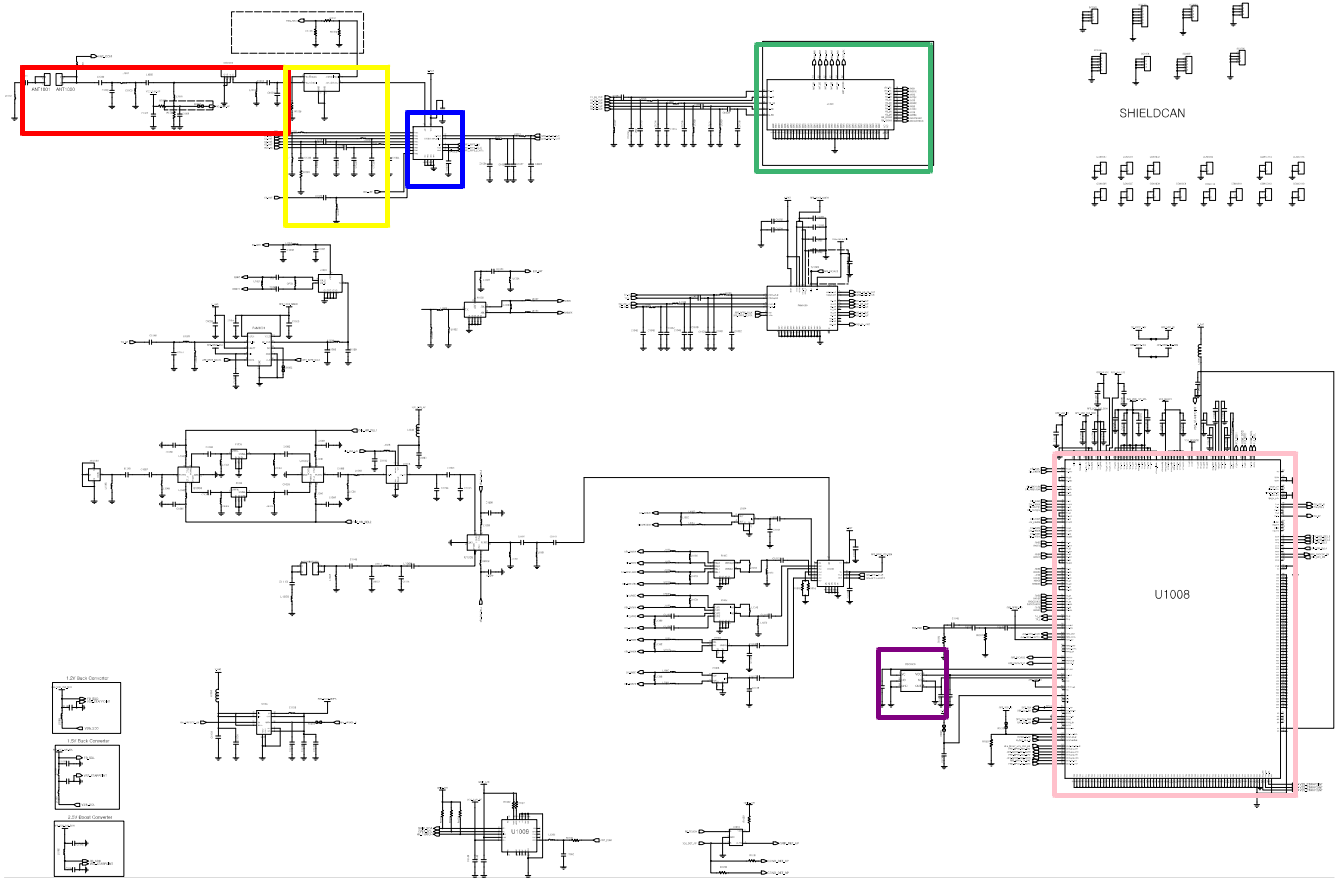


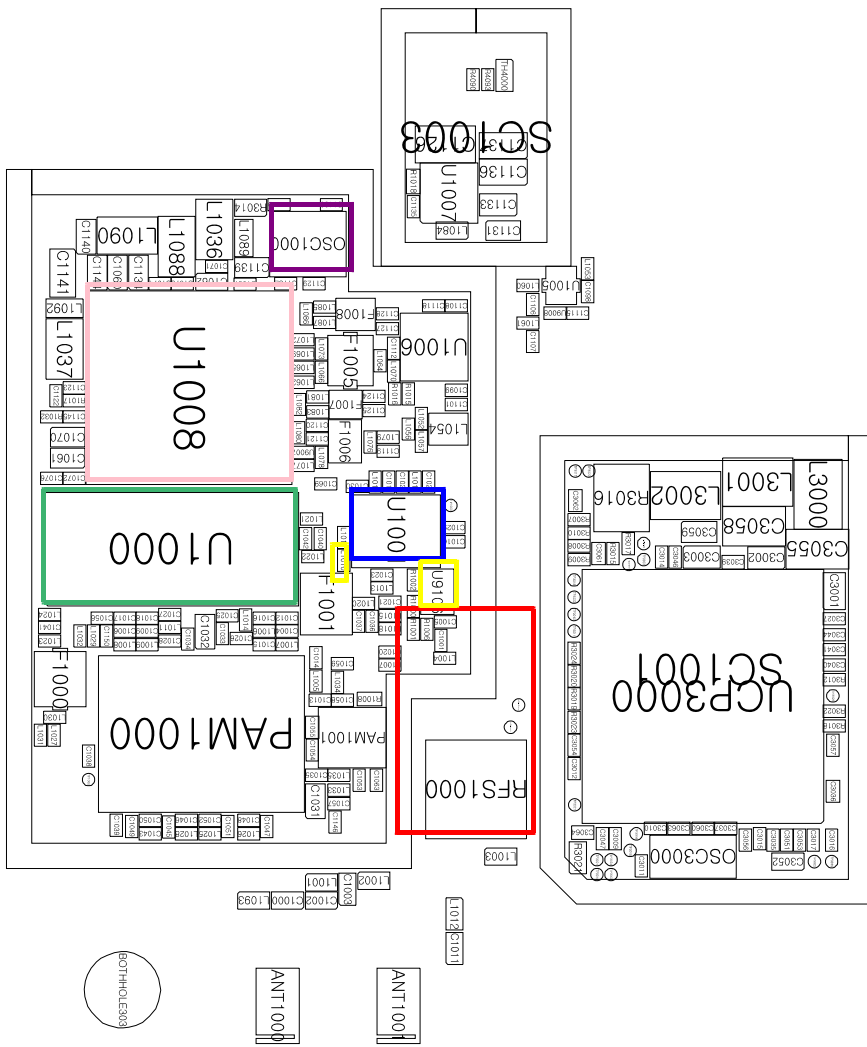


8-3-26. WCDMA Band1 LTE B1 RX

CONTINUOUS RX ON
RF INPUT : 10700CH
AMP : -50dBm

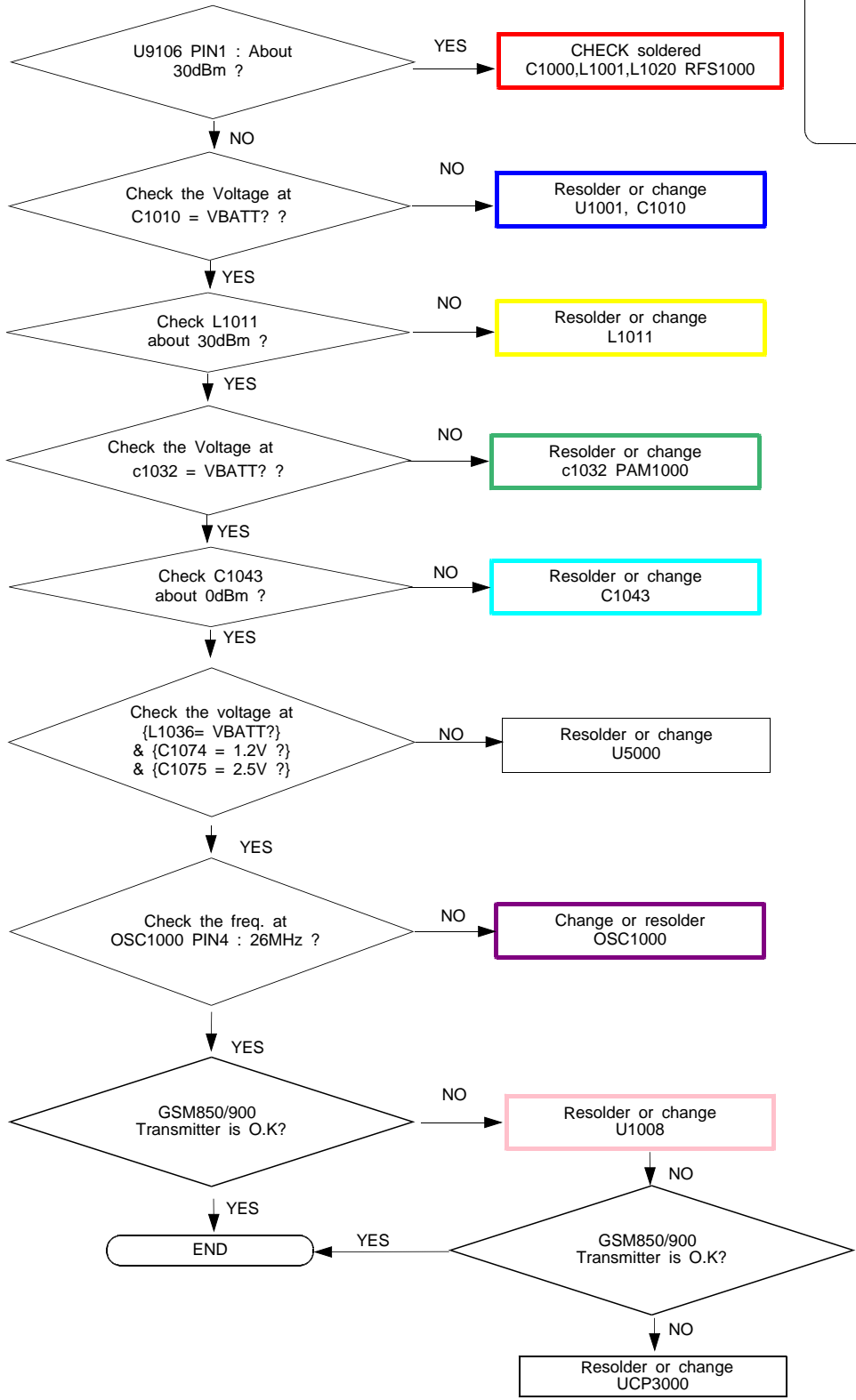


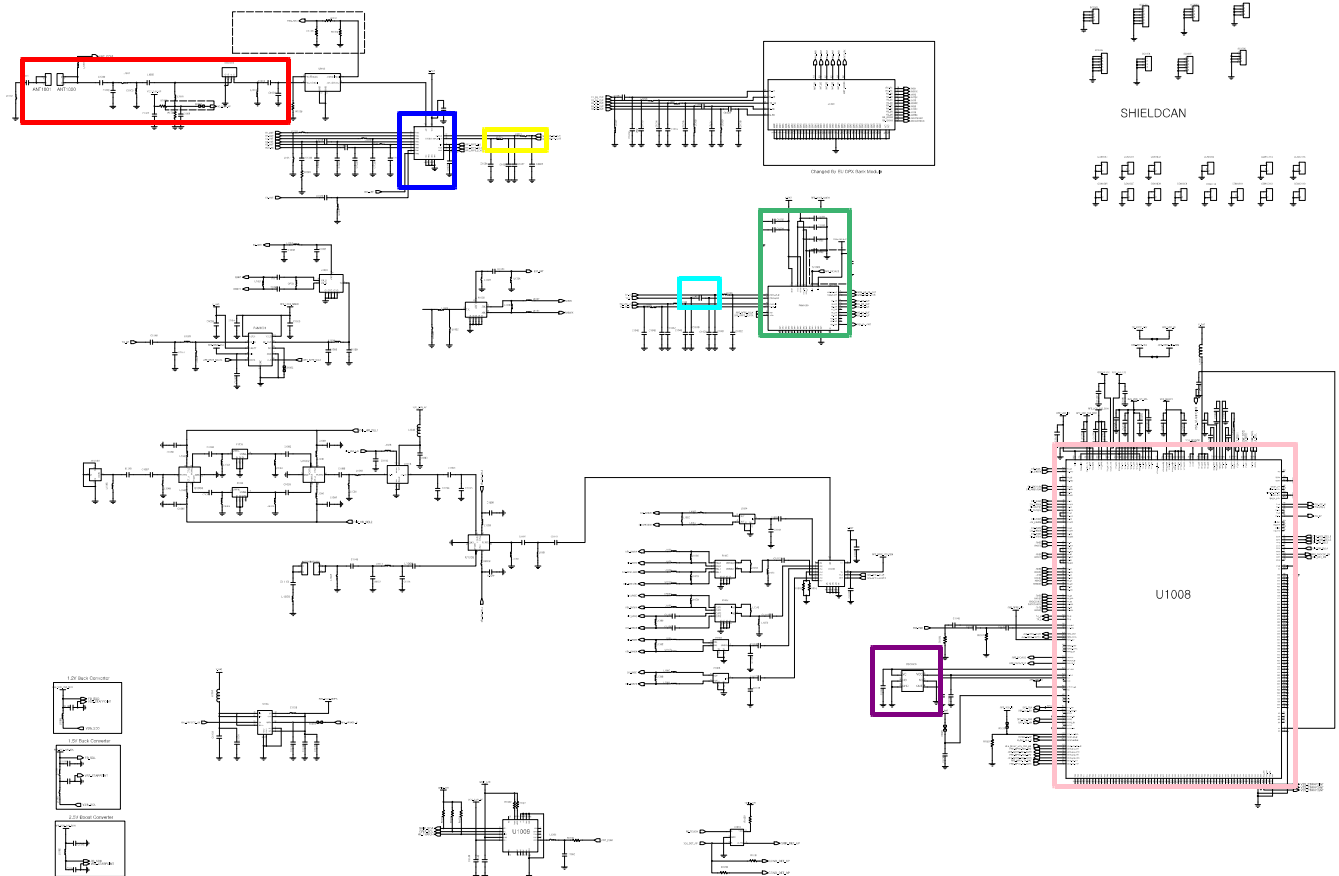


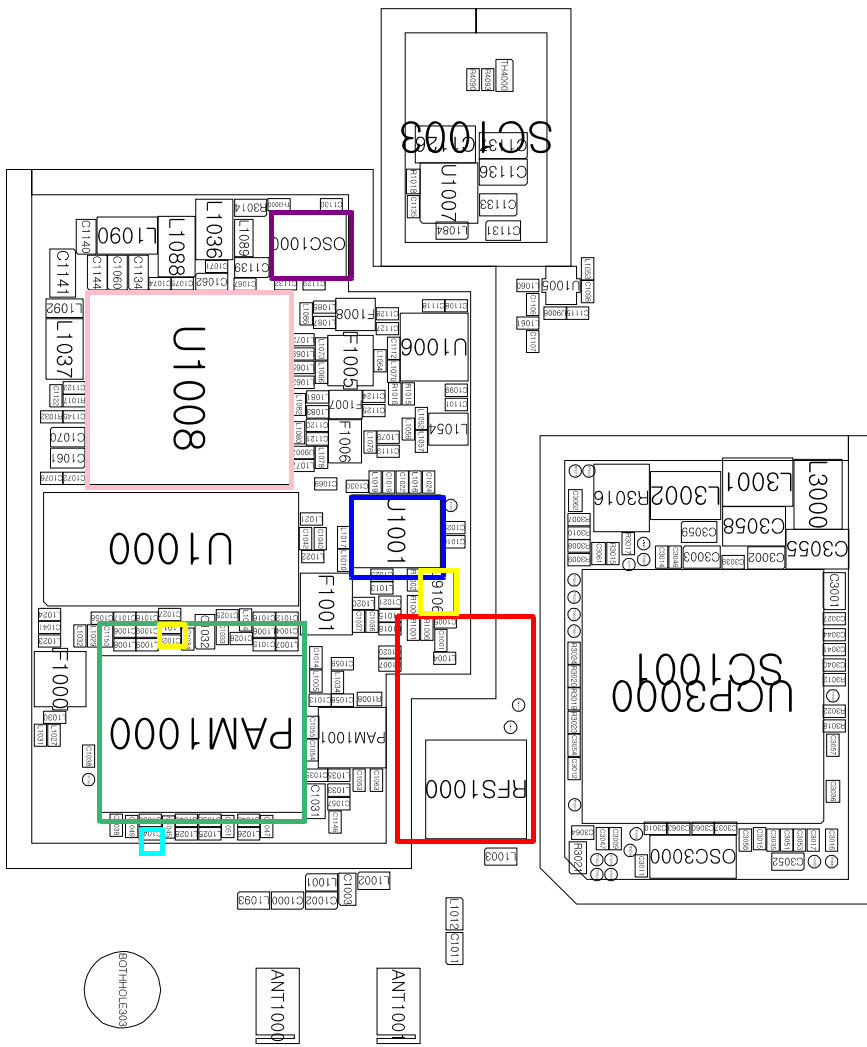


8-3-27. GSM850/ GSM900 TX

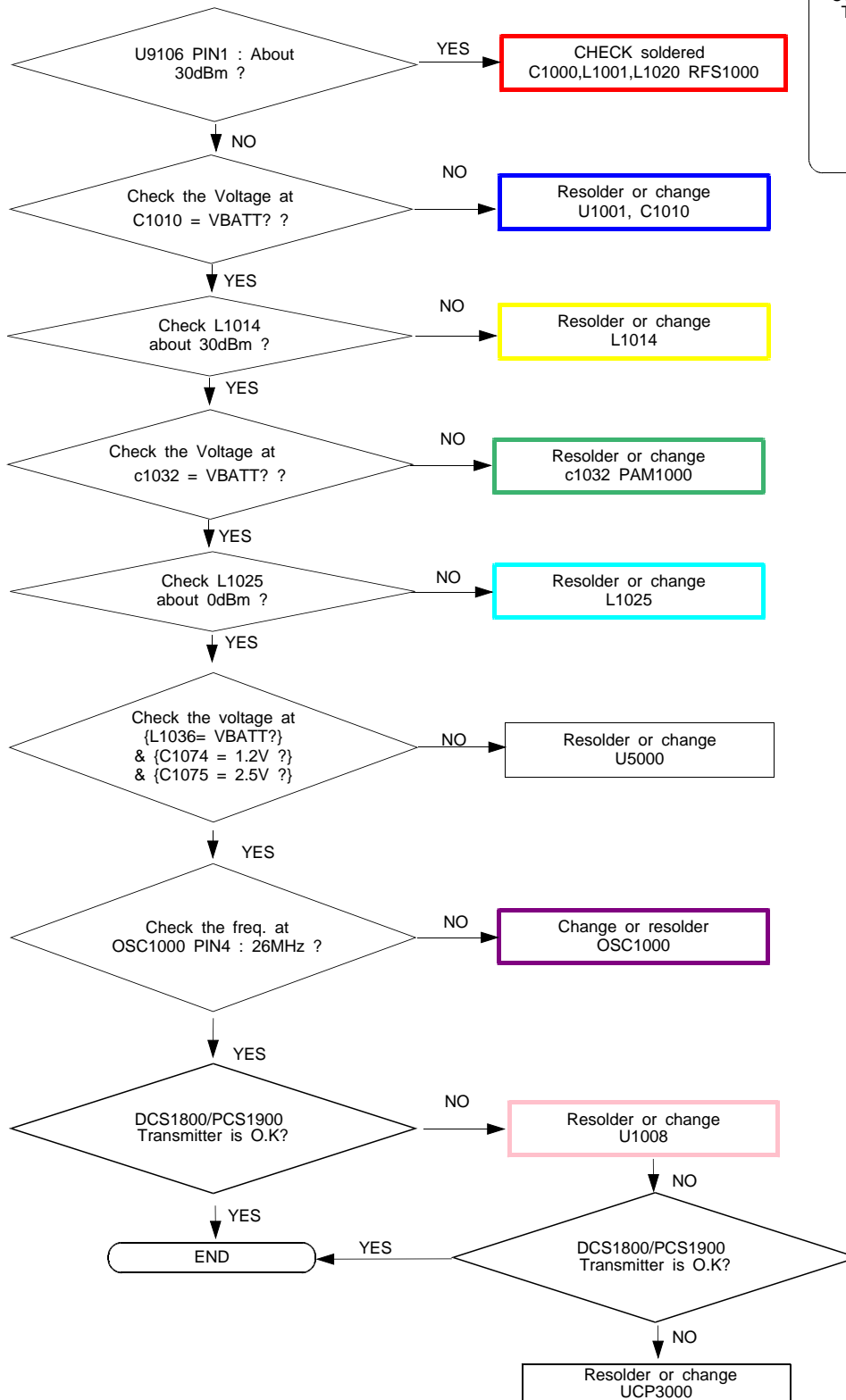
CONTINUOUS TX ON CONDITION
 TX POWER DAC:14500 CODE
 APPLIED
 GSM850 CH : 190
 GSM900 CH : 62
 RBW : 100KHz
 VBW : 100KHz
 SPAN : 10MHz
 REF LEV. : 10dBm
 ATT. : 20dB



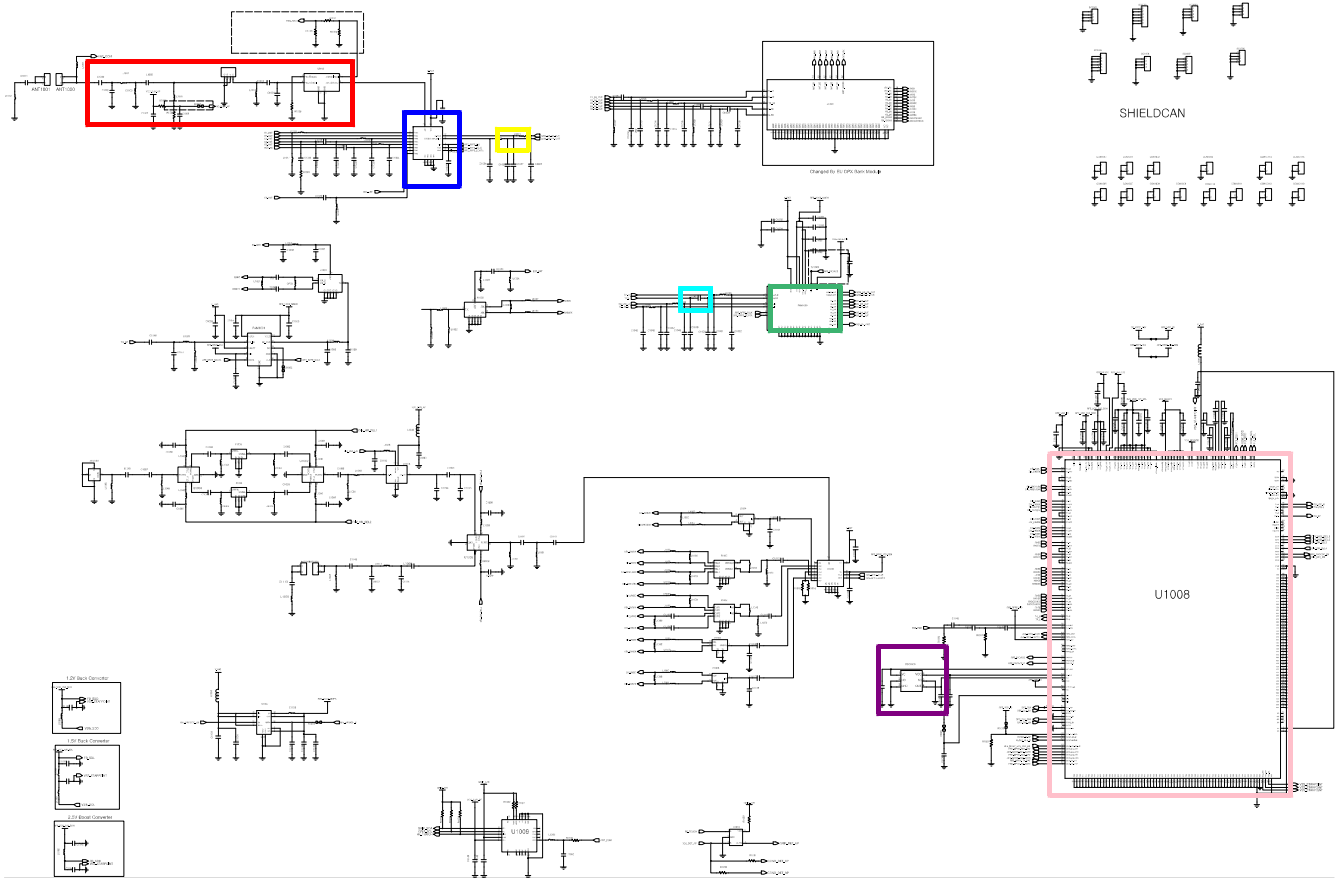


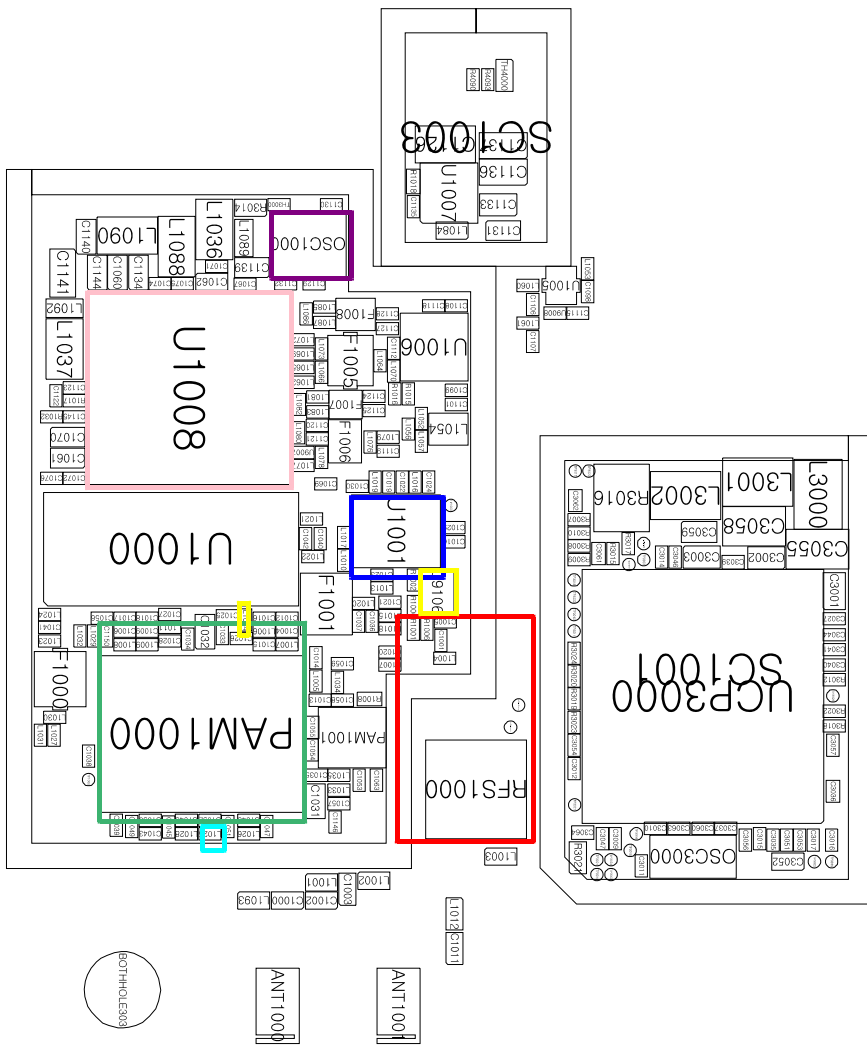


8-3-28. GSM1800/ GSM1900 TX

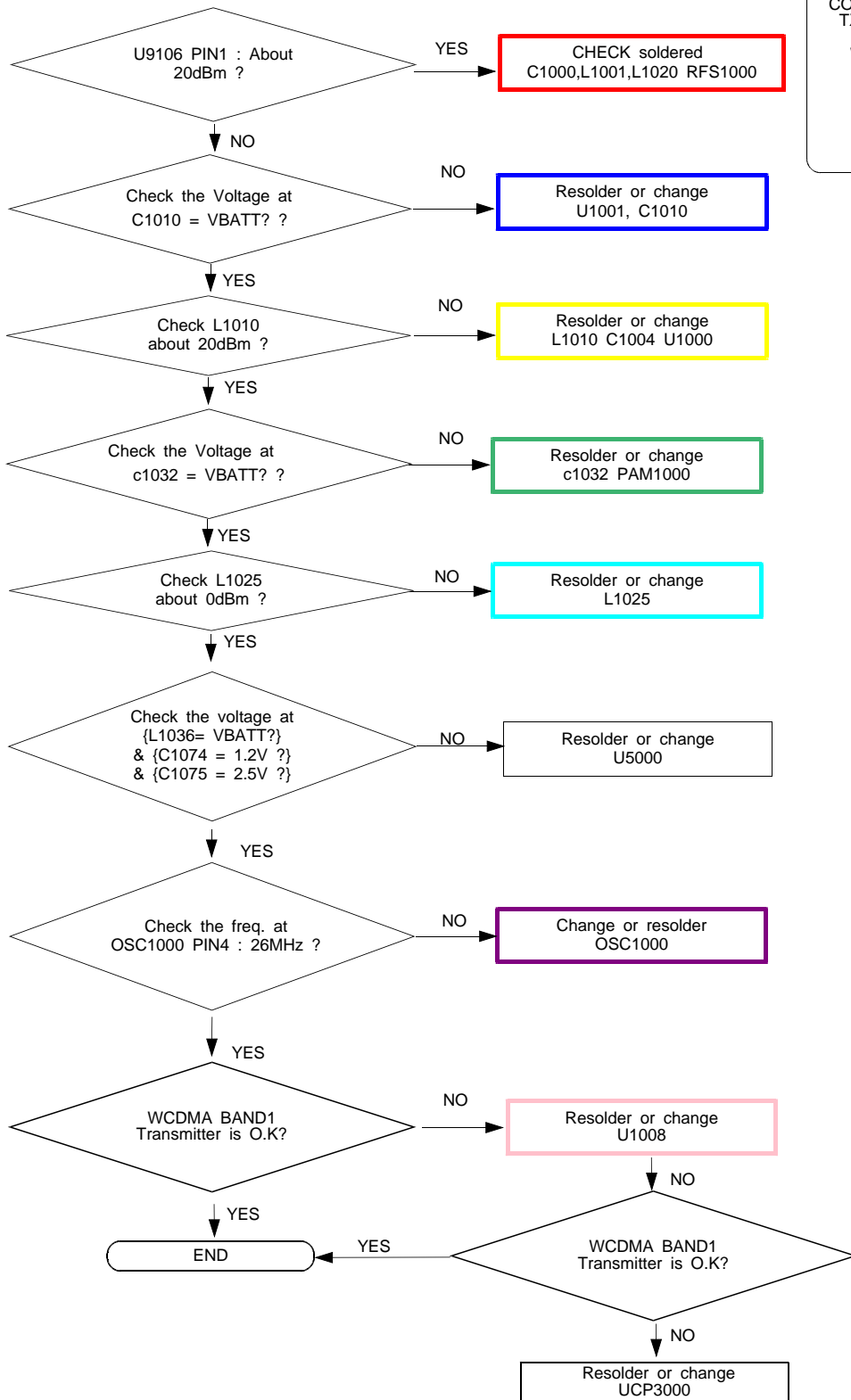


CONTINUOUS TX ON CONDITION
 TX POWER DAC:14500 CODE
 APPLIED
 DCS CH : 685
 PCS CH : 661
 RBW : 100KHz
 VBW : 100KHz
 SPAN : 10MHz
 REF LEV. : 10dBm
 ATT. : 20dB

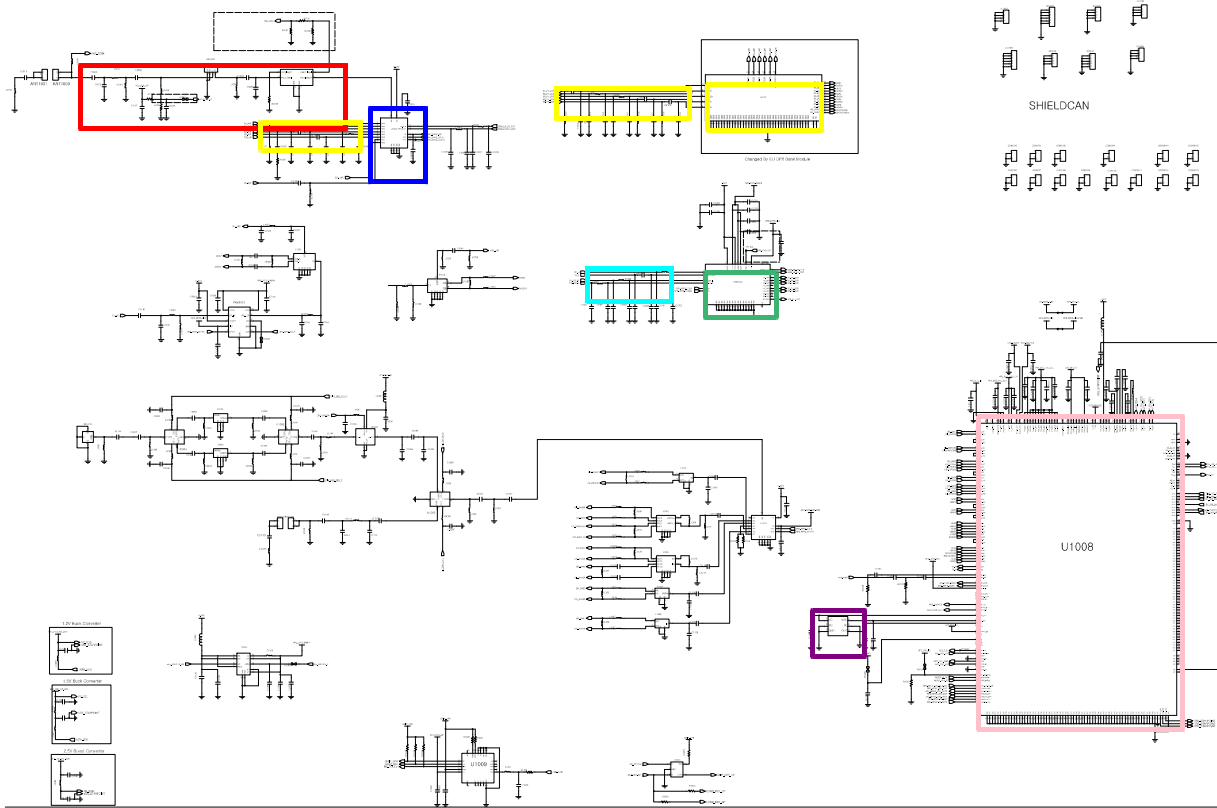


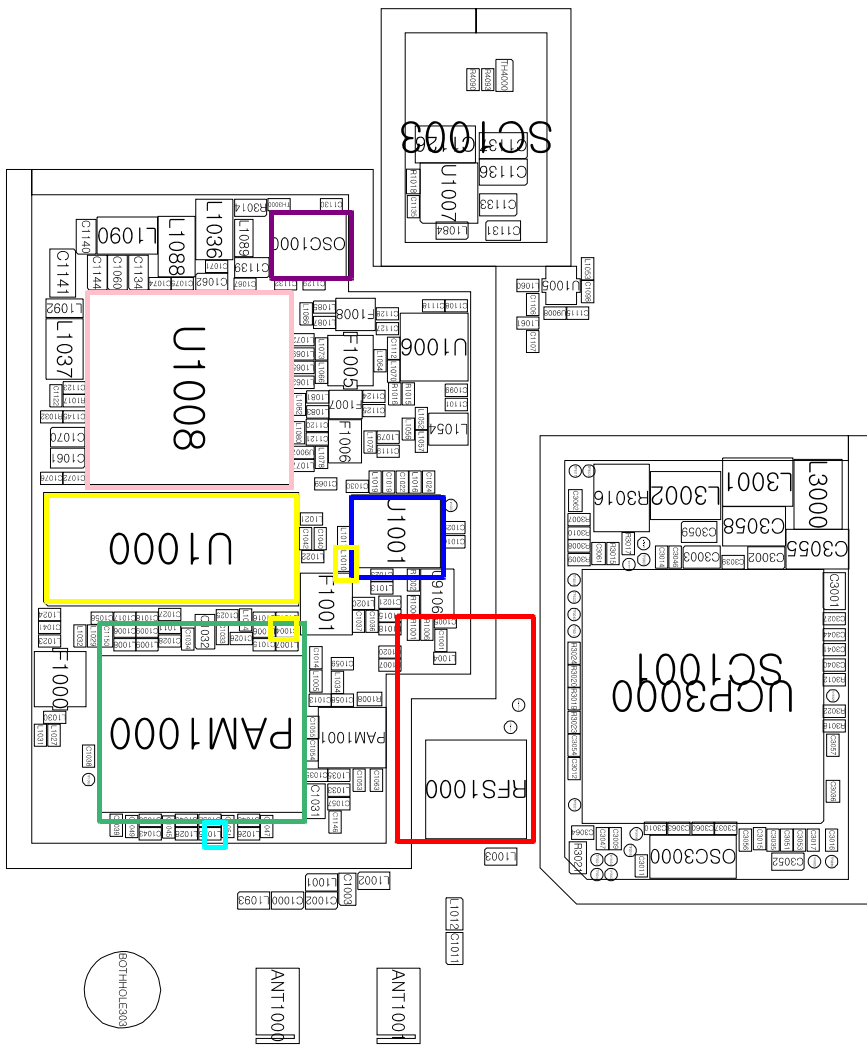


8-3-29. WCDMA BAND1 Tx



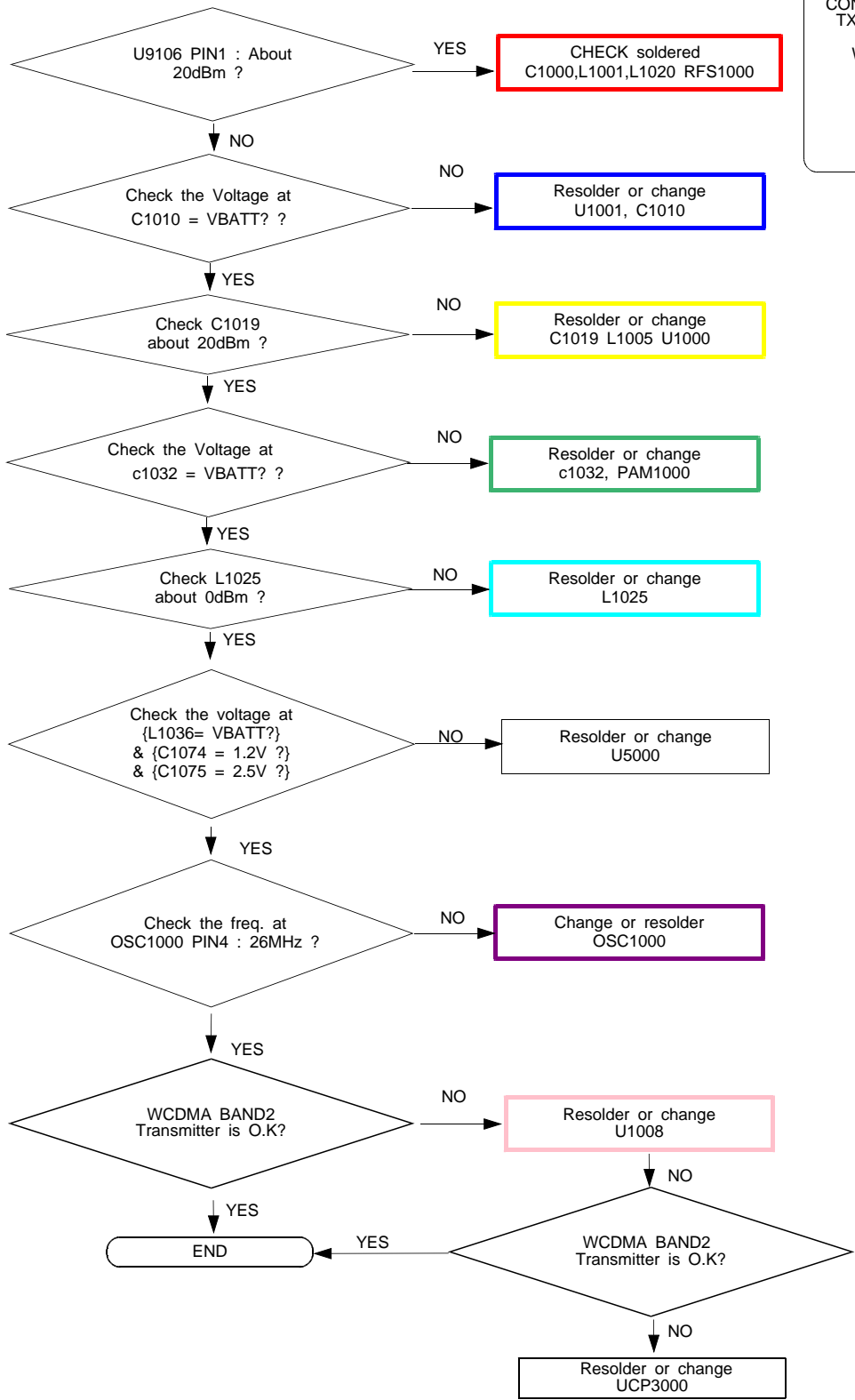
CONTINUOUS TX ON CONDITION
 TX POWER DAC:14500 CODE
 APPLIED
 WCDMA Band1 CH : 10700
 RBW : 100KHz
 VBW : 100KHz
 SPAN : 10MHz
 REF LEV. : 10dBm
 ATT. : 20dB

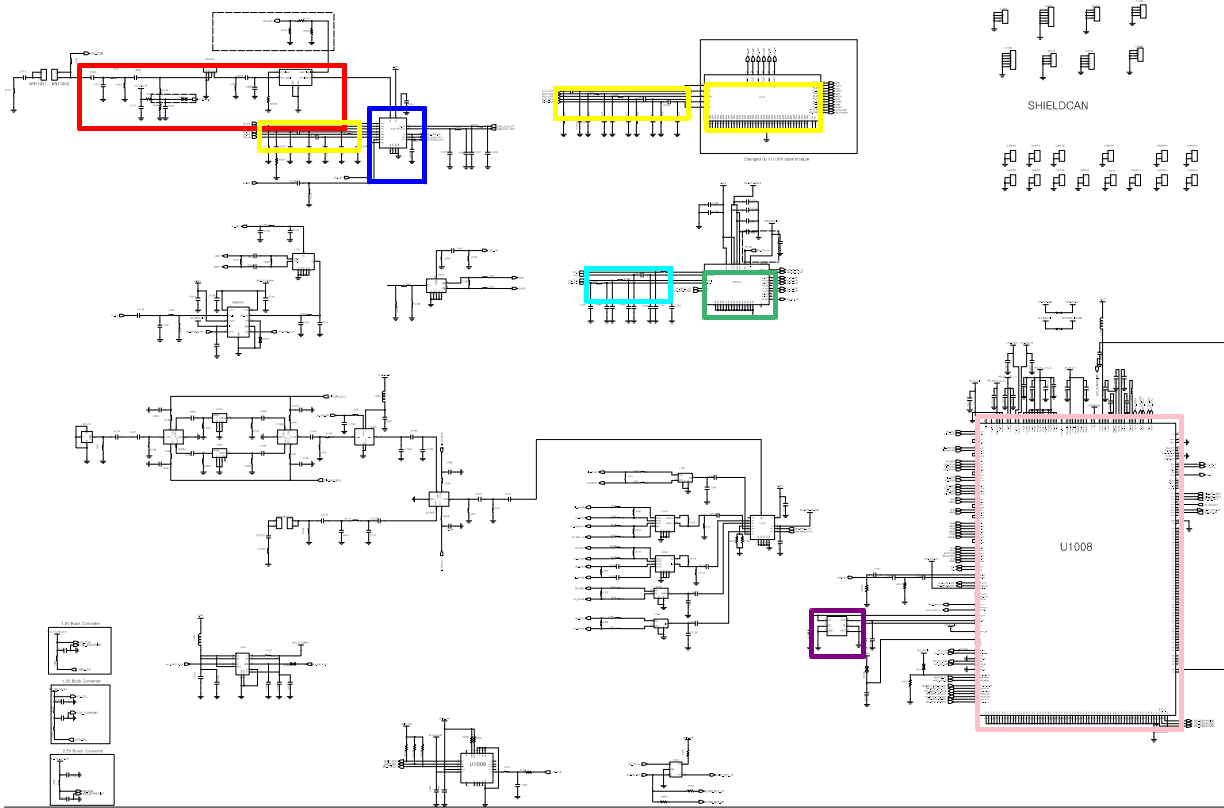


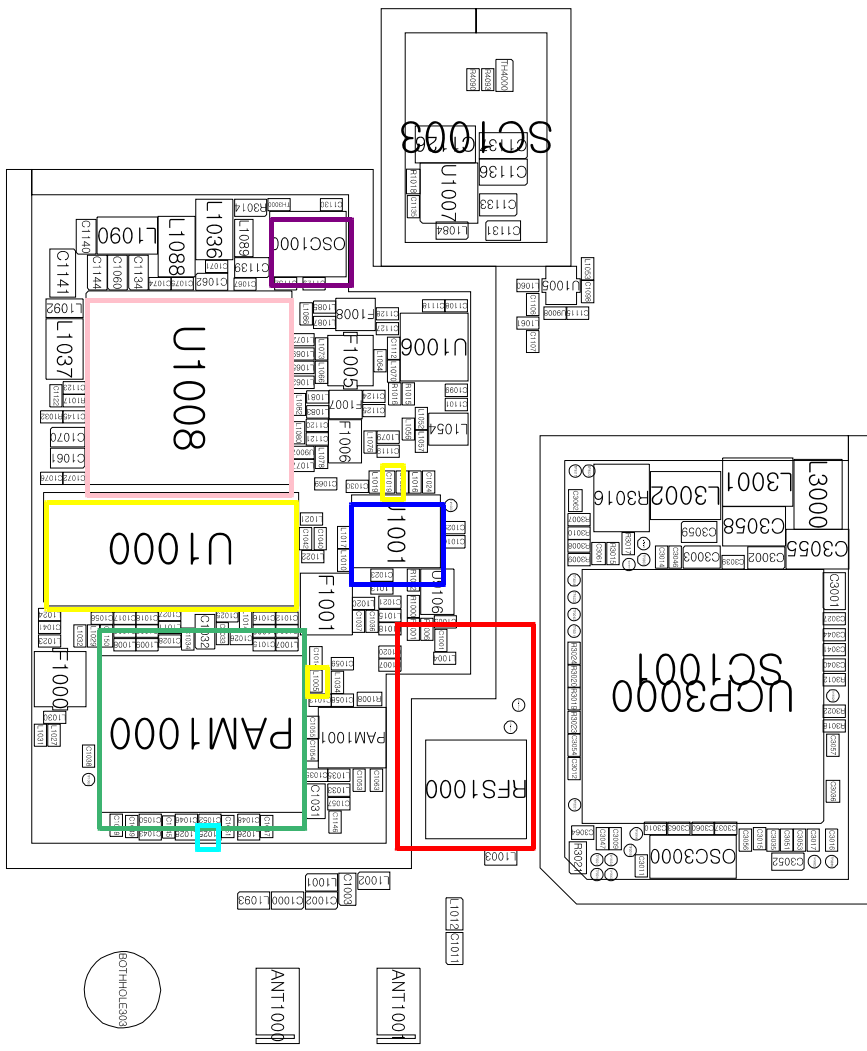


8-3-30. WCDMA BAND2 TX

CONTINUOUS TX ON CONDITION
 TX POWER DAC:14500 CODE
 APPLIED
 WCDMA Band2 CH : 9880
 RBW : 100KHz
 VBW : 100KHz
 SPAN : 10MHz
 REF. LEV. : 10dBm
 ATT. : 20dB

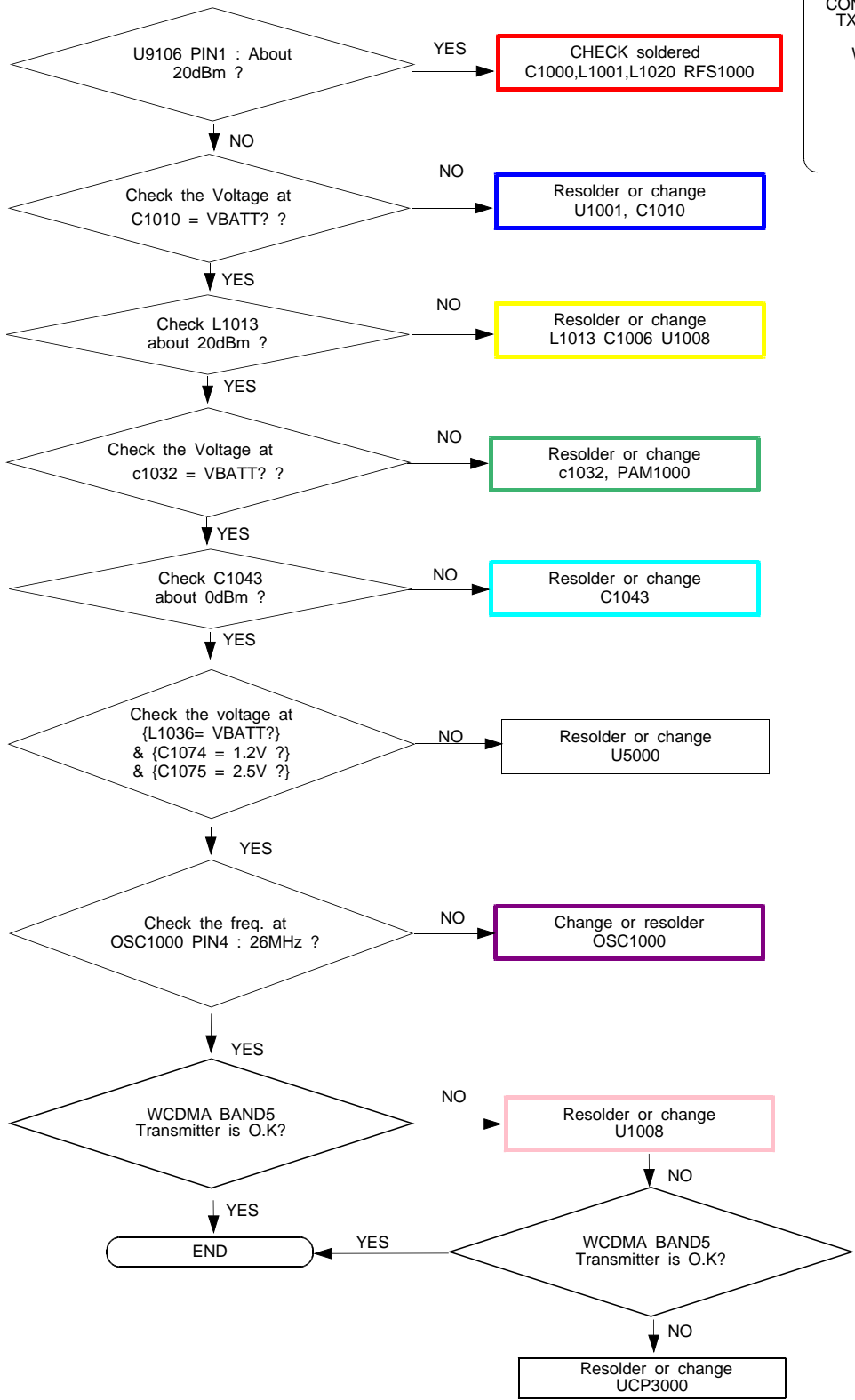


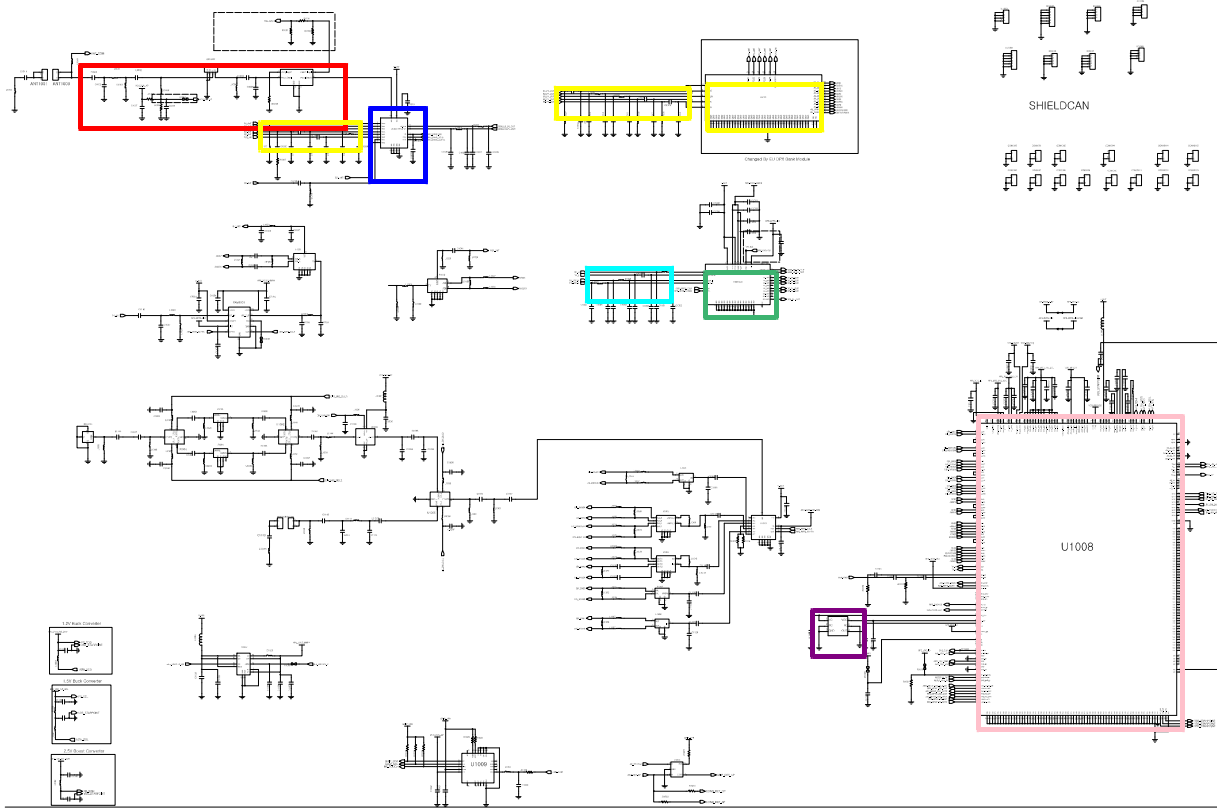


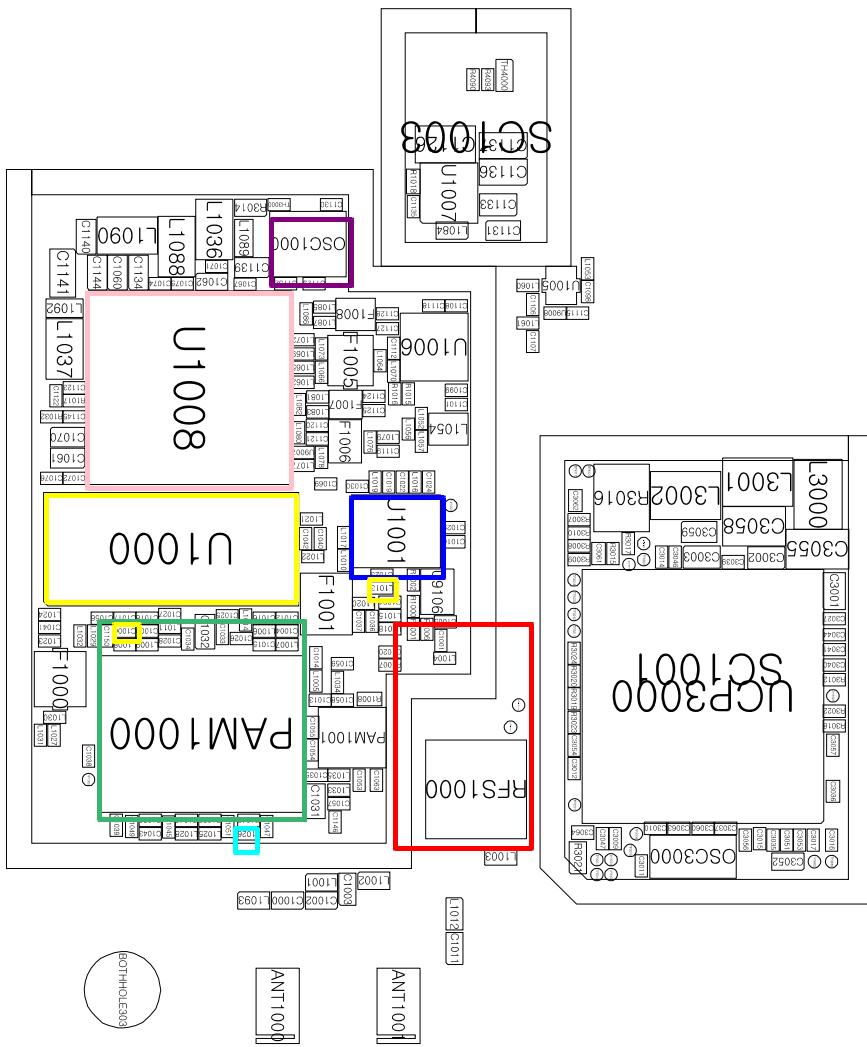


8-3-31. WCDMA BAND5 TX

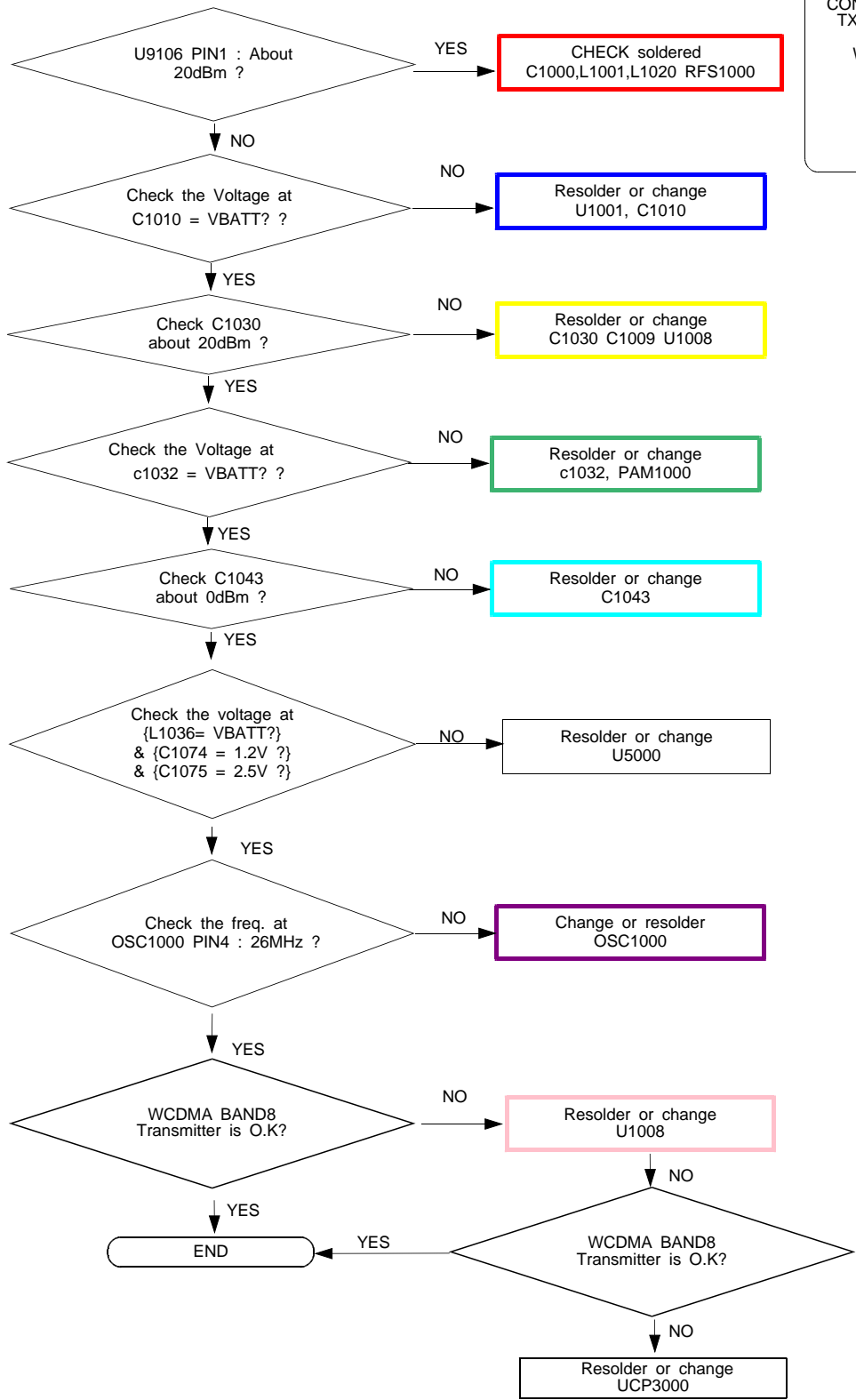
CONTINUOUS TX ON CONDITION
 TX POWER DAC:14500 CODE
 APPLIED
 WCDMA Band5 CH : 4408
 RBW : 100KHz
 VBW : 100KHz
 SPAN : 10MHz
 REF LEV. : 10dBm
 ATT. : 20dB



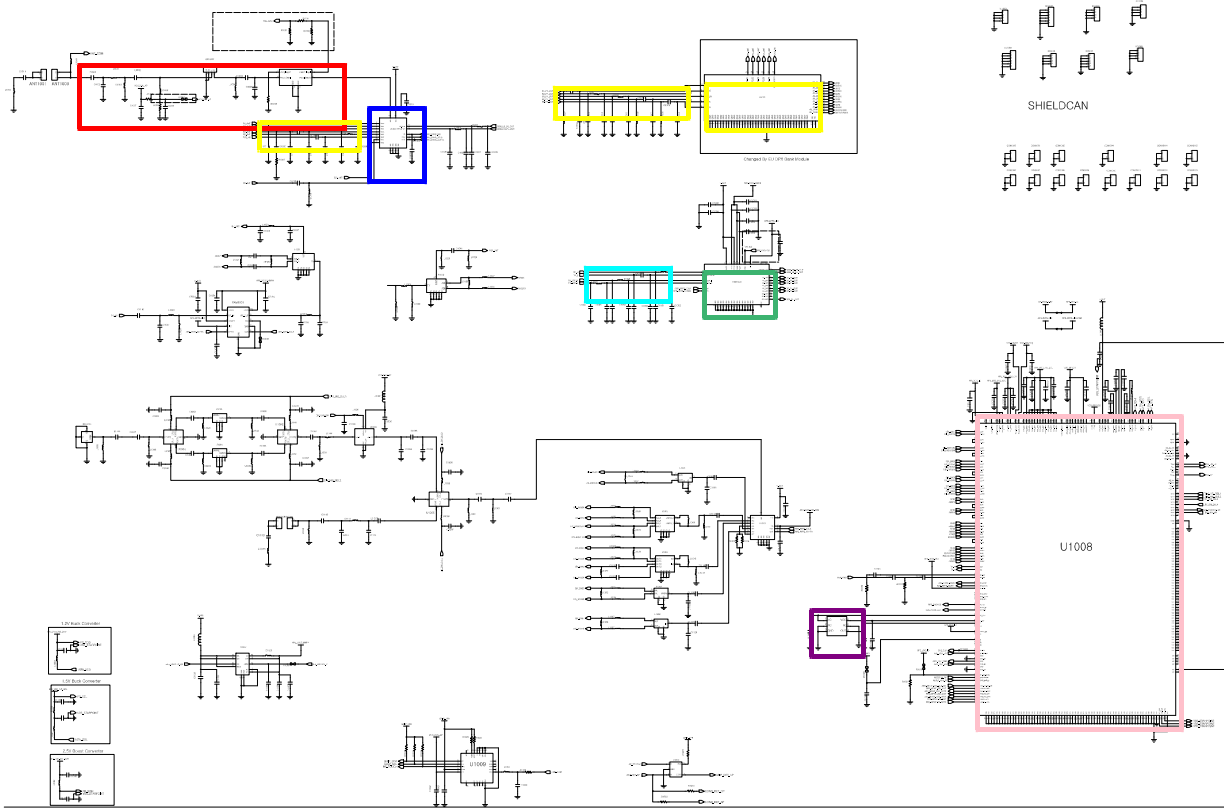




8-3-32. WCDMA BAND8 TX

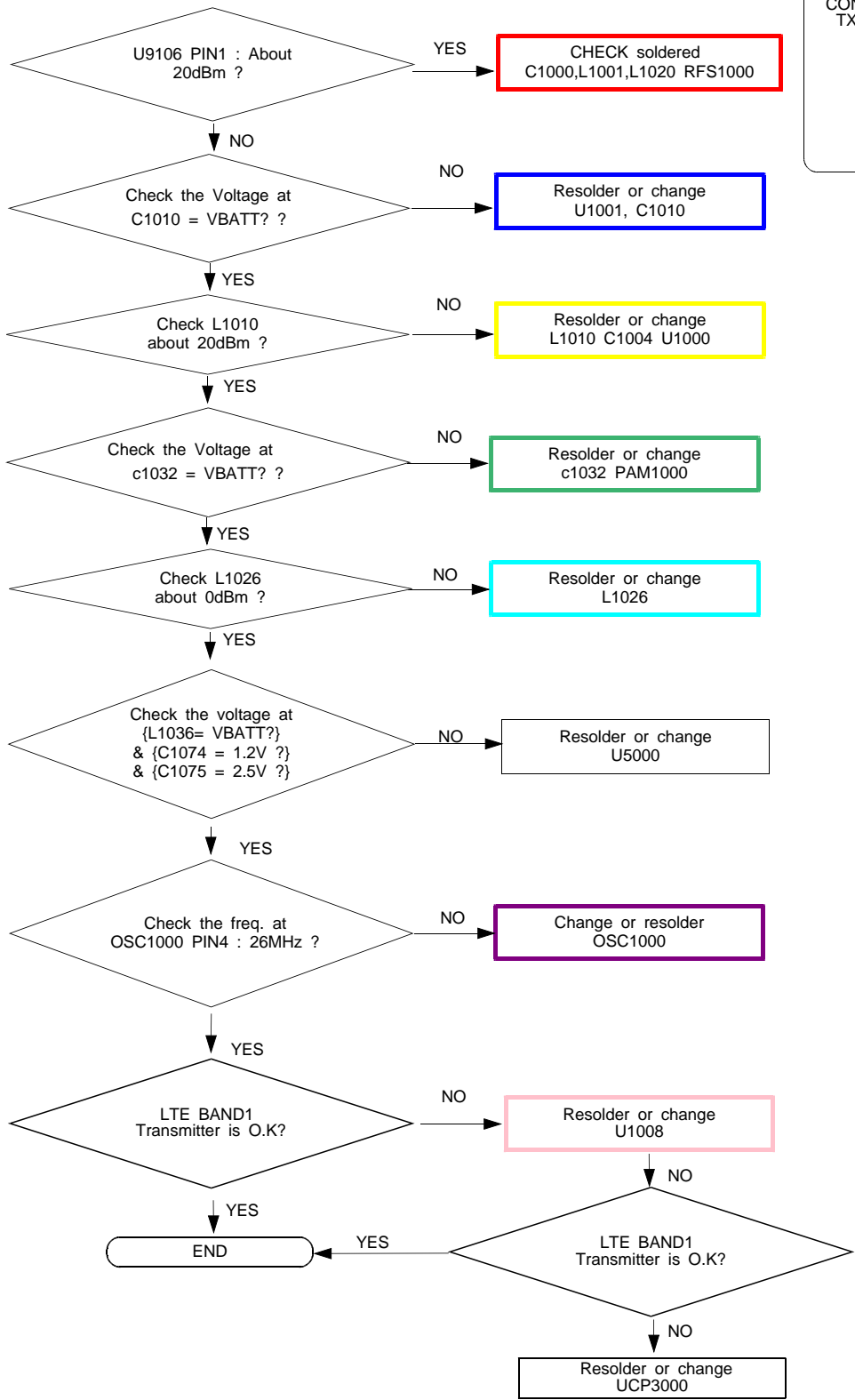


CONTINUOUS TX ON CONDITION
 TX POWER DAC:14500 CODE
 APPLIED
 WCDMA Band8 CH : 3013
 RBW : 100KHz
 VBW : 100KHz
 SPAN : 10MHz
 REF LEV. : 10dBm
 ATT. : 20dB

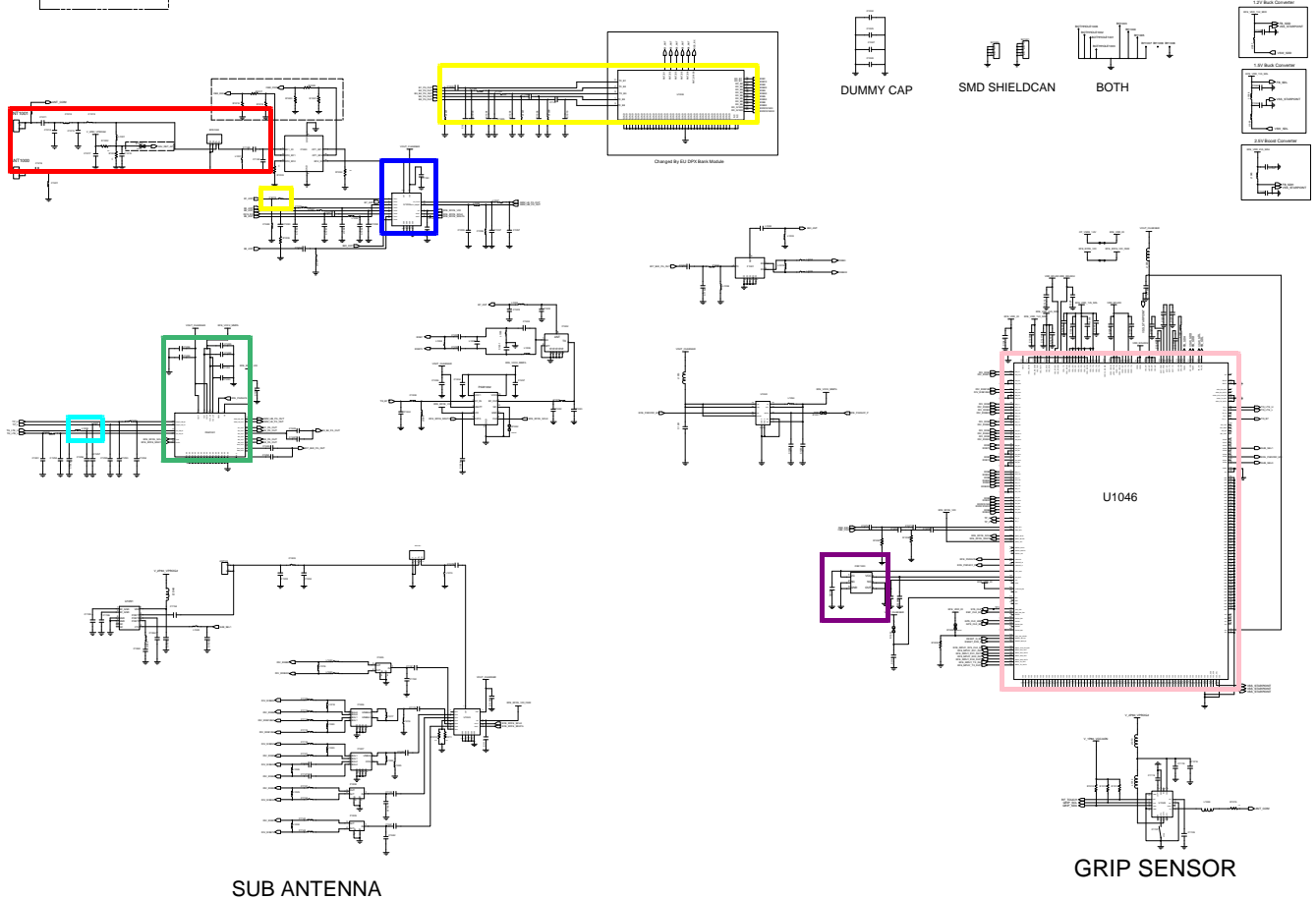


8-3-33. LTE BAND1 TX

CONTINUOUS TX ON CONDITION
 TX POWER DAC:14500 CODE
 APPLIED
 LTE Band1 CH : 18300
 RBW : 100KHz
 VBW : 100KHz
 SPAN : 10MHz
 REF.LEV. : 10dBm
 ATT. : 20dB

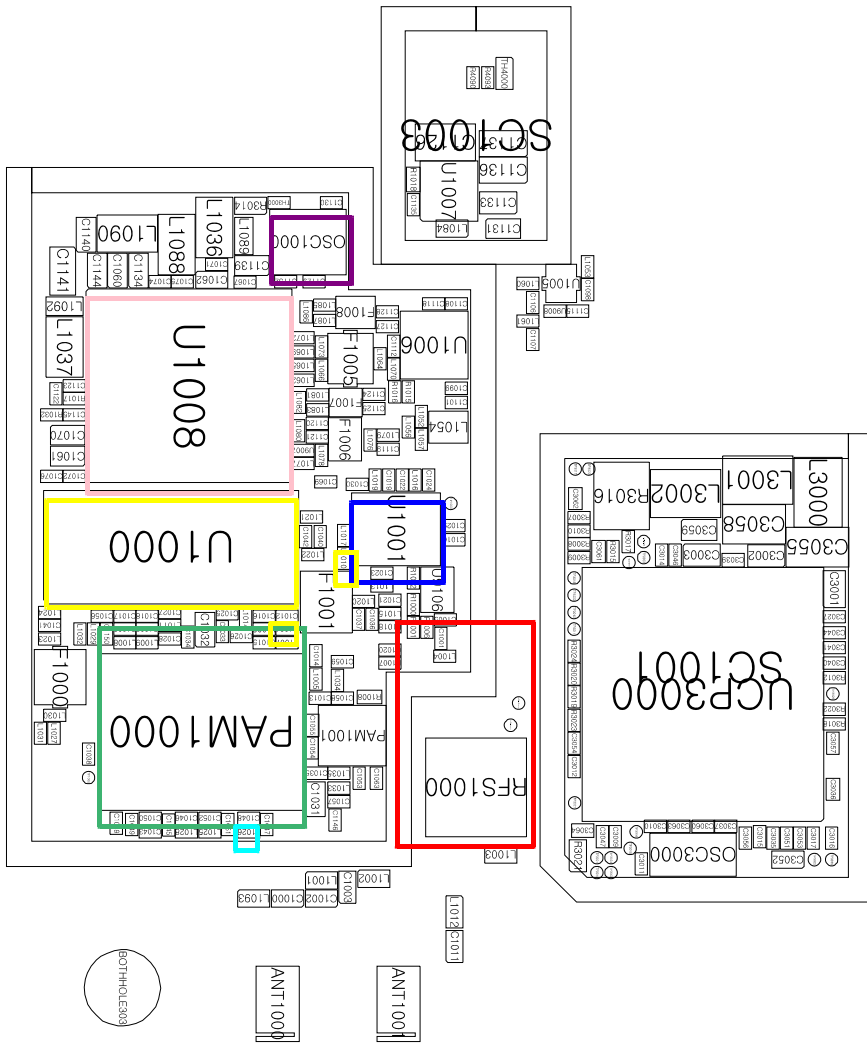


RF_PART

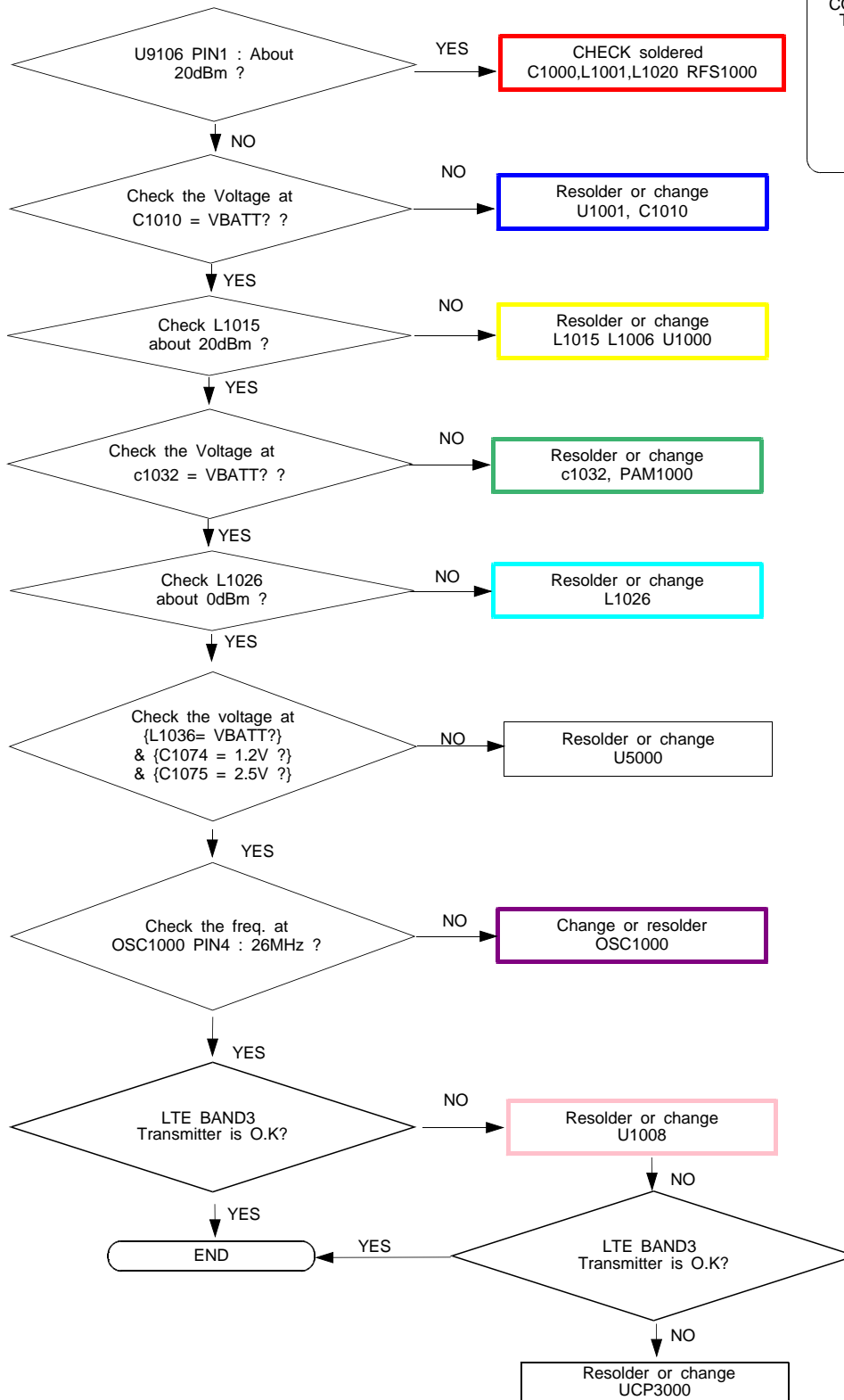


SUB ANTENNA

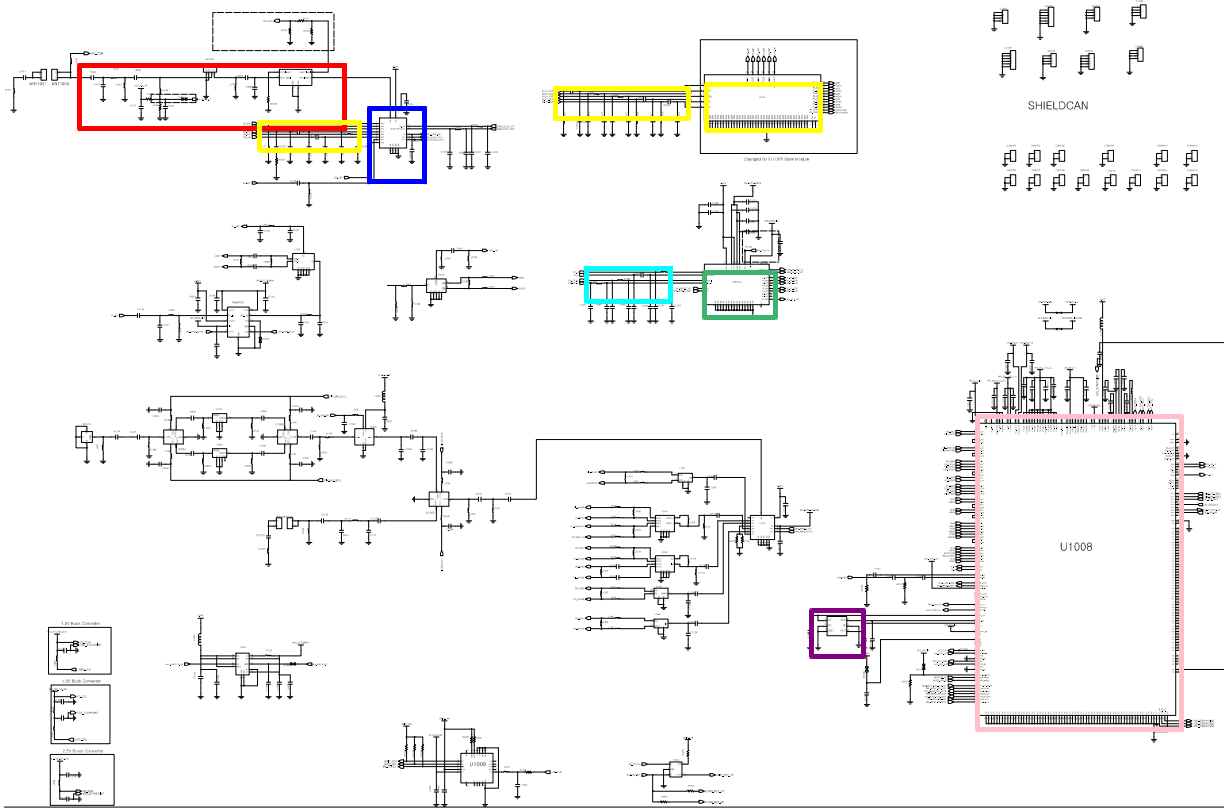
GRIP SENSOR



8-3-34. LTE BAND3 TX

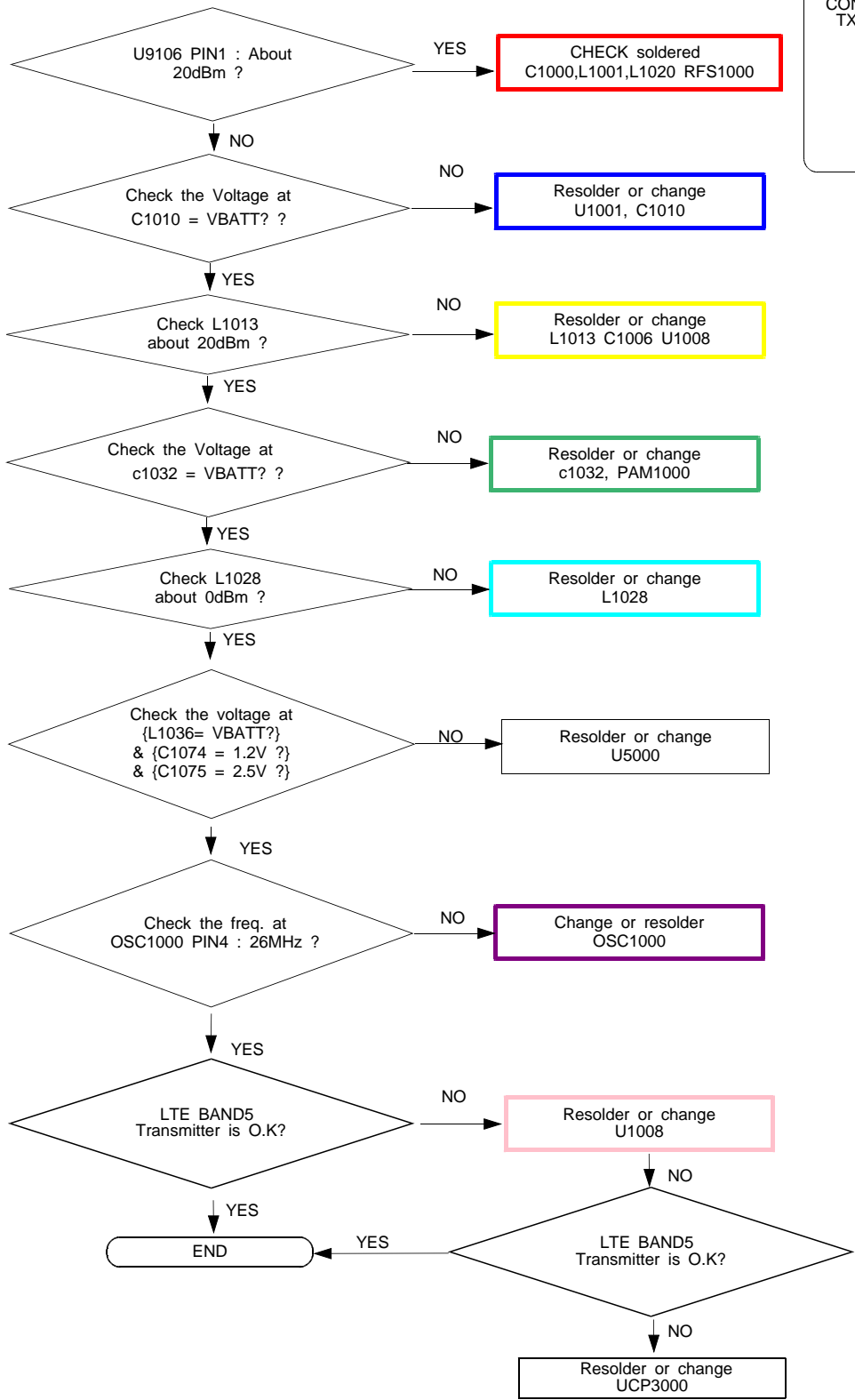


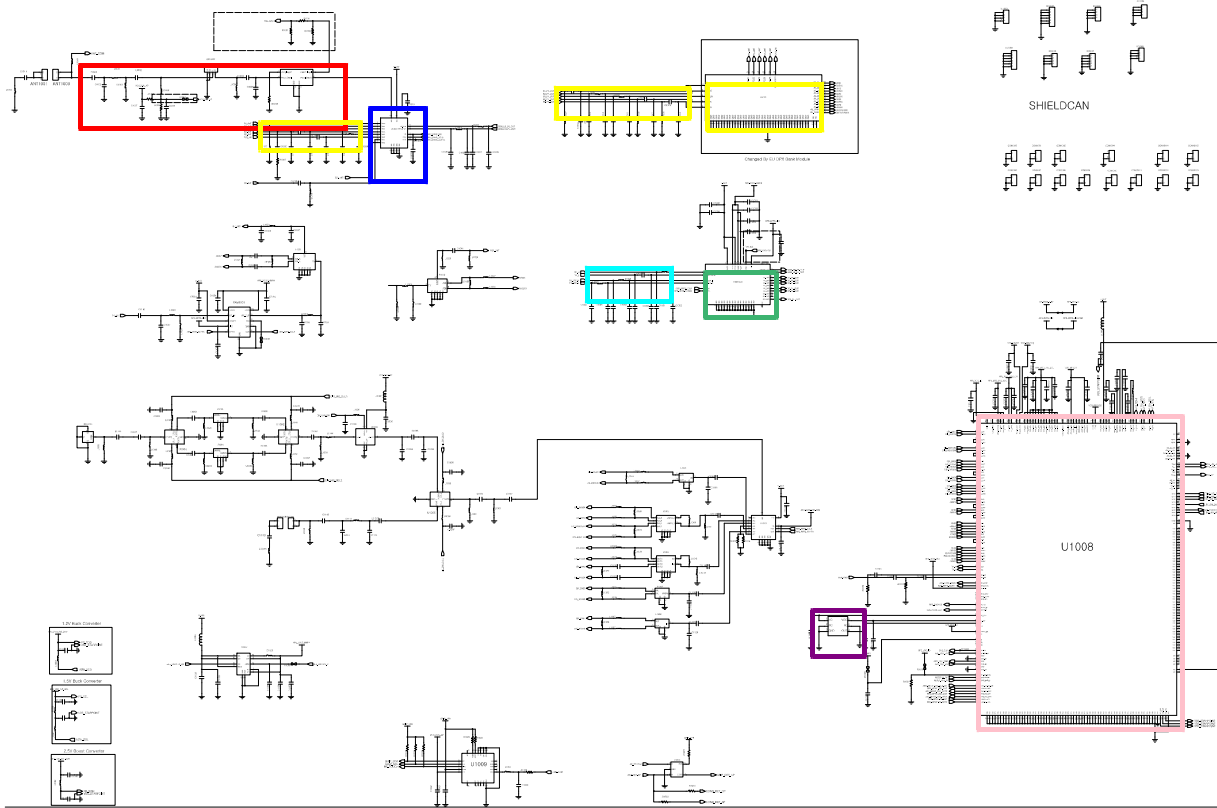
CONTINUOUS TX ON CONDITION
 TX POWER DAC:14500 CODE
 APPLIED
 LTE Band3 CH : 19575
 RBW : 100KHz
 VBW : 100KHz
 SPAN : 10MHz
 REF LEV. : 10dBm
 ATT. : 20dB

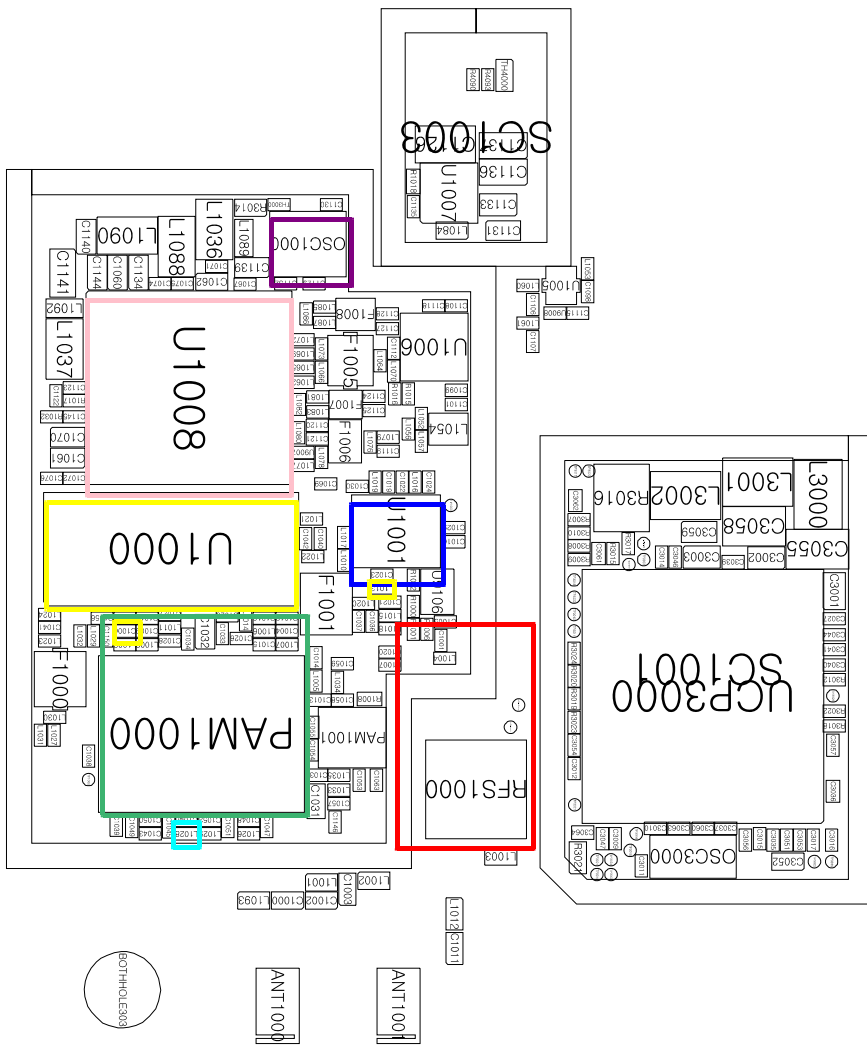


8-3-35. LTE BAND5 TX

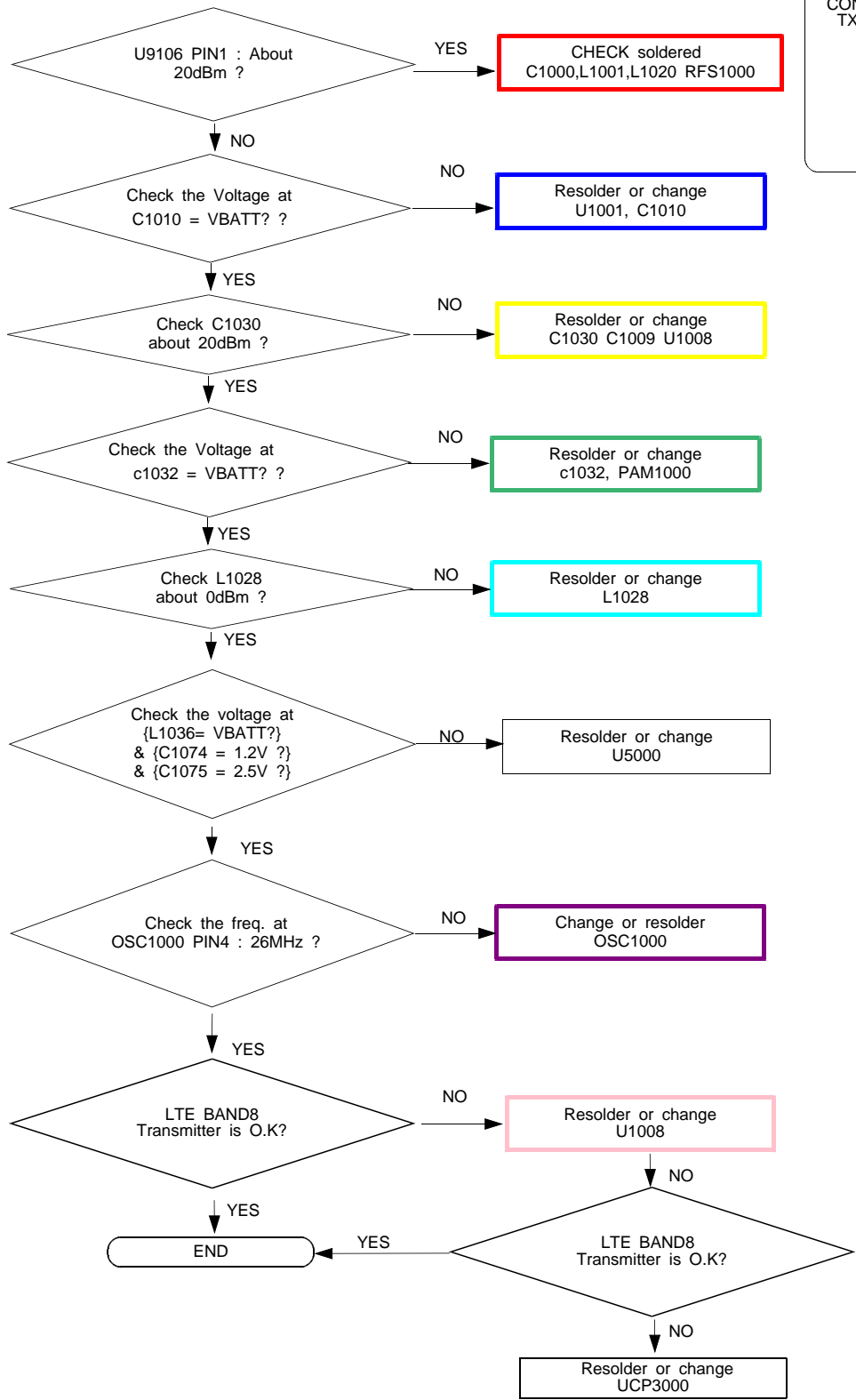
CONTINUOUS TX ON CONDITION
 TX POWER DAC:14500 CODE
 APPLIED
 LTE Band5 CH : 20525
 RBW : 100KHz
 VBW : 100KHz
 SPAN : 10MHz
 REF LEV. : 10dBm
 ATT. : 20dB



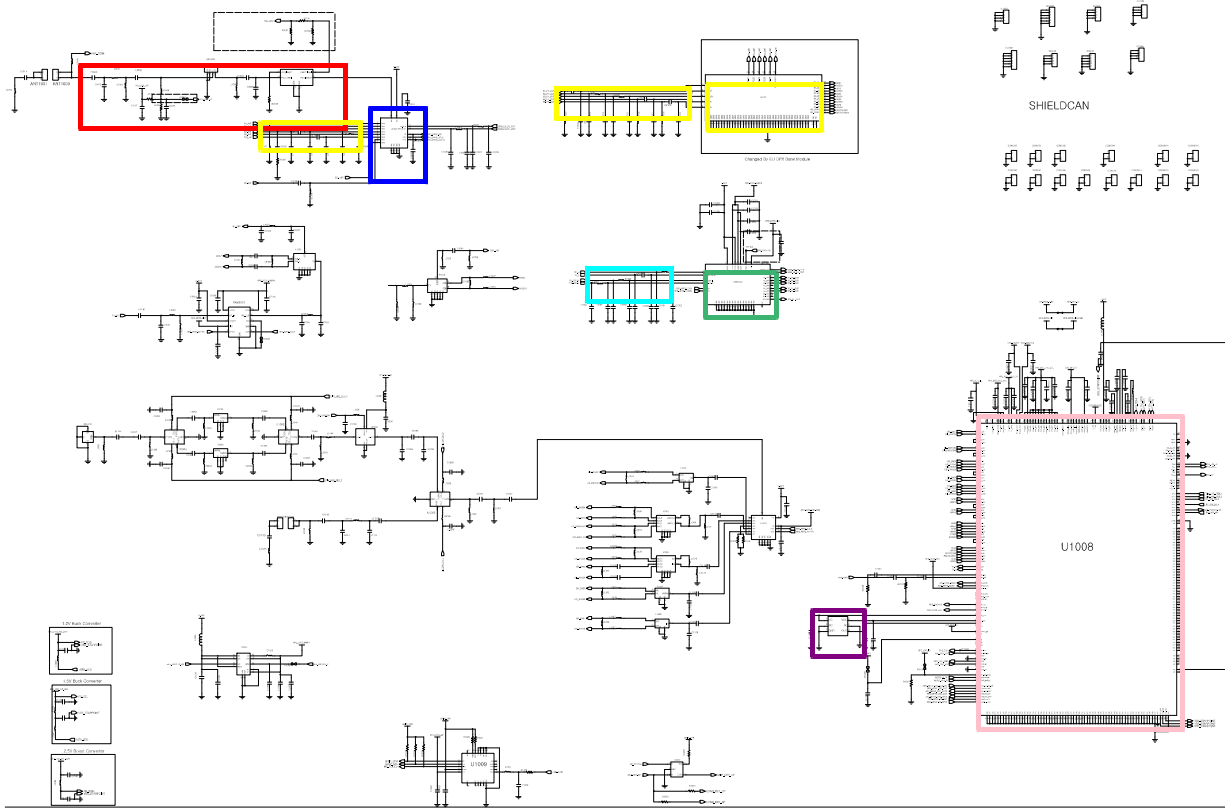




8-3-36. LTE BAND8 TX

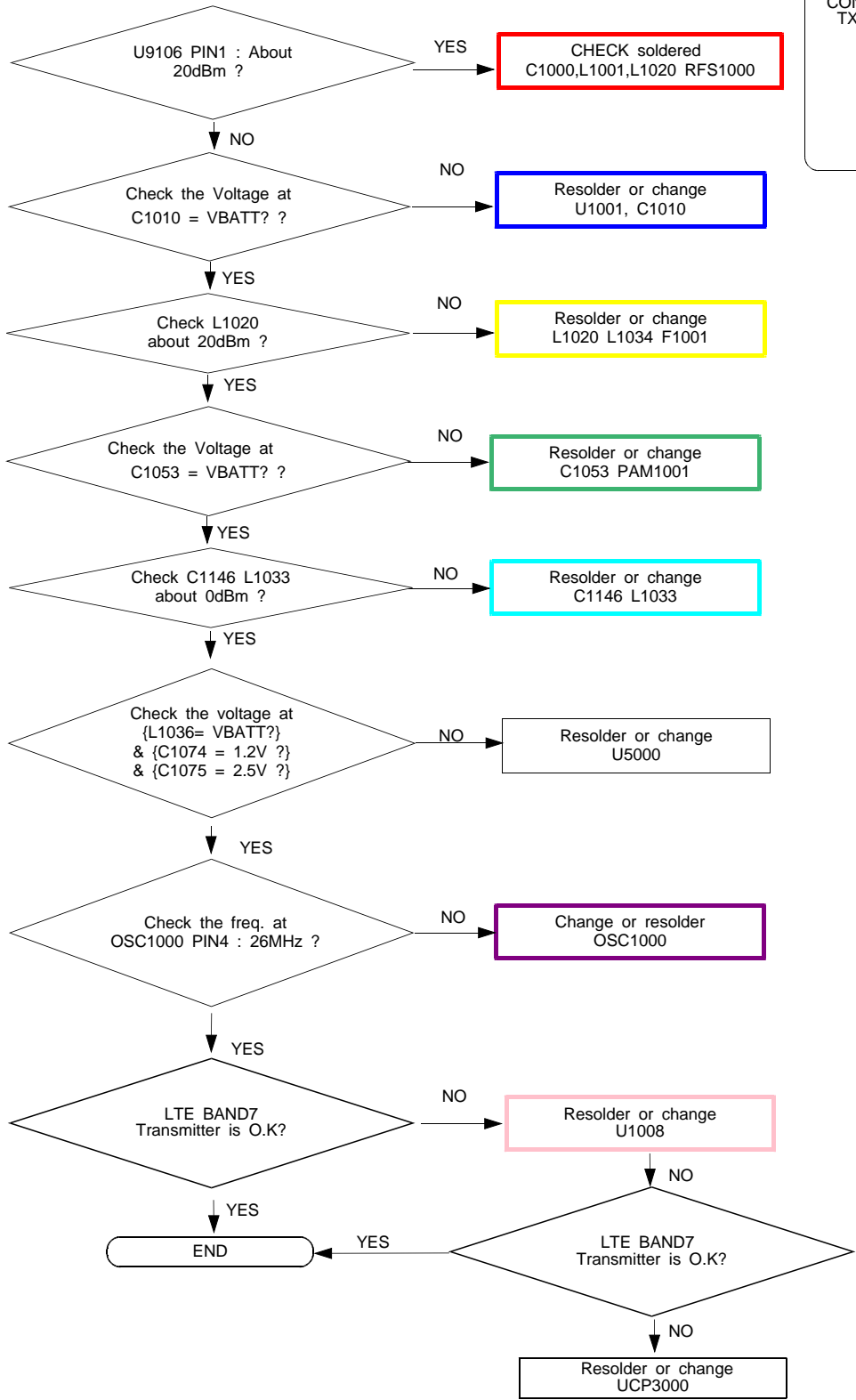


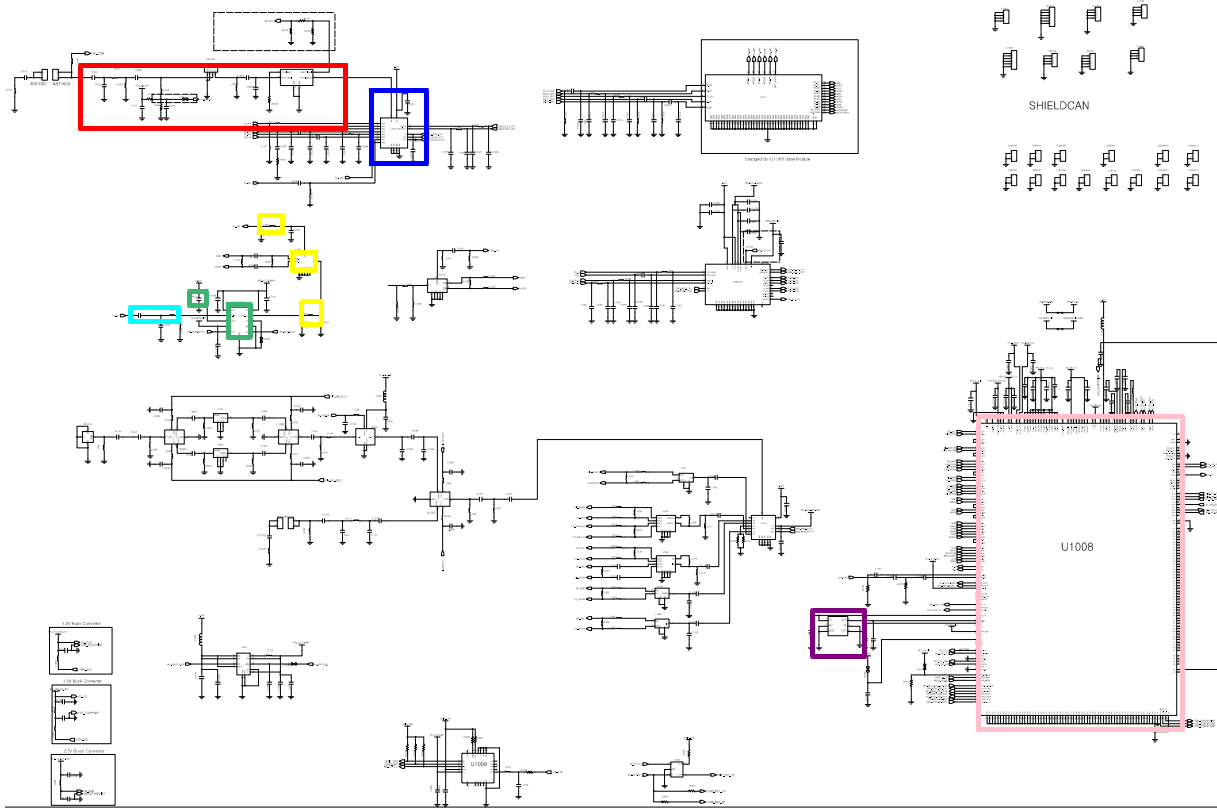
CONTINUOUS TX ON CONDITION
 TX POWER DAC:14500 CODE
 APPLIED
 LTE Band8 CH : 21625
 RBW : 100KHz
 VBW : 100KHz
 SPAN : 10MHz
 REF LEV. : 10dBm
 ATT. : 20dB

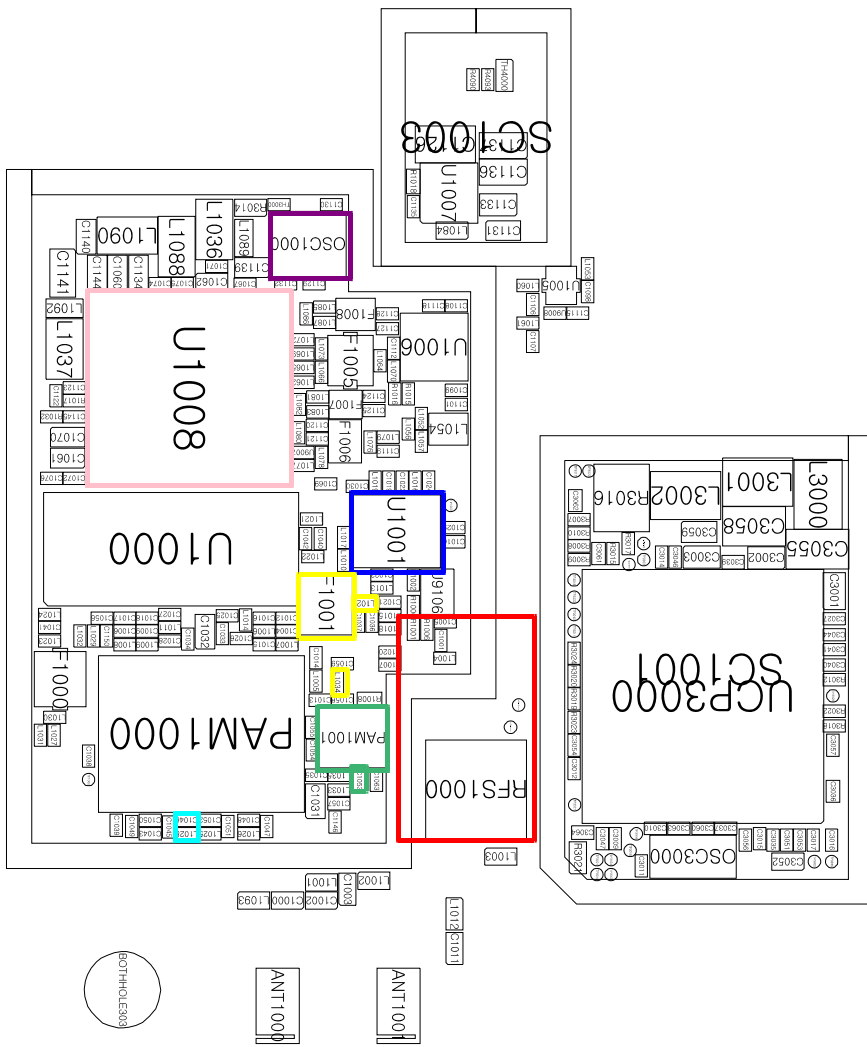


8-3-37. LTE BAND7

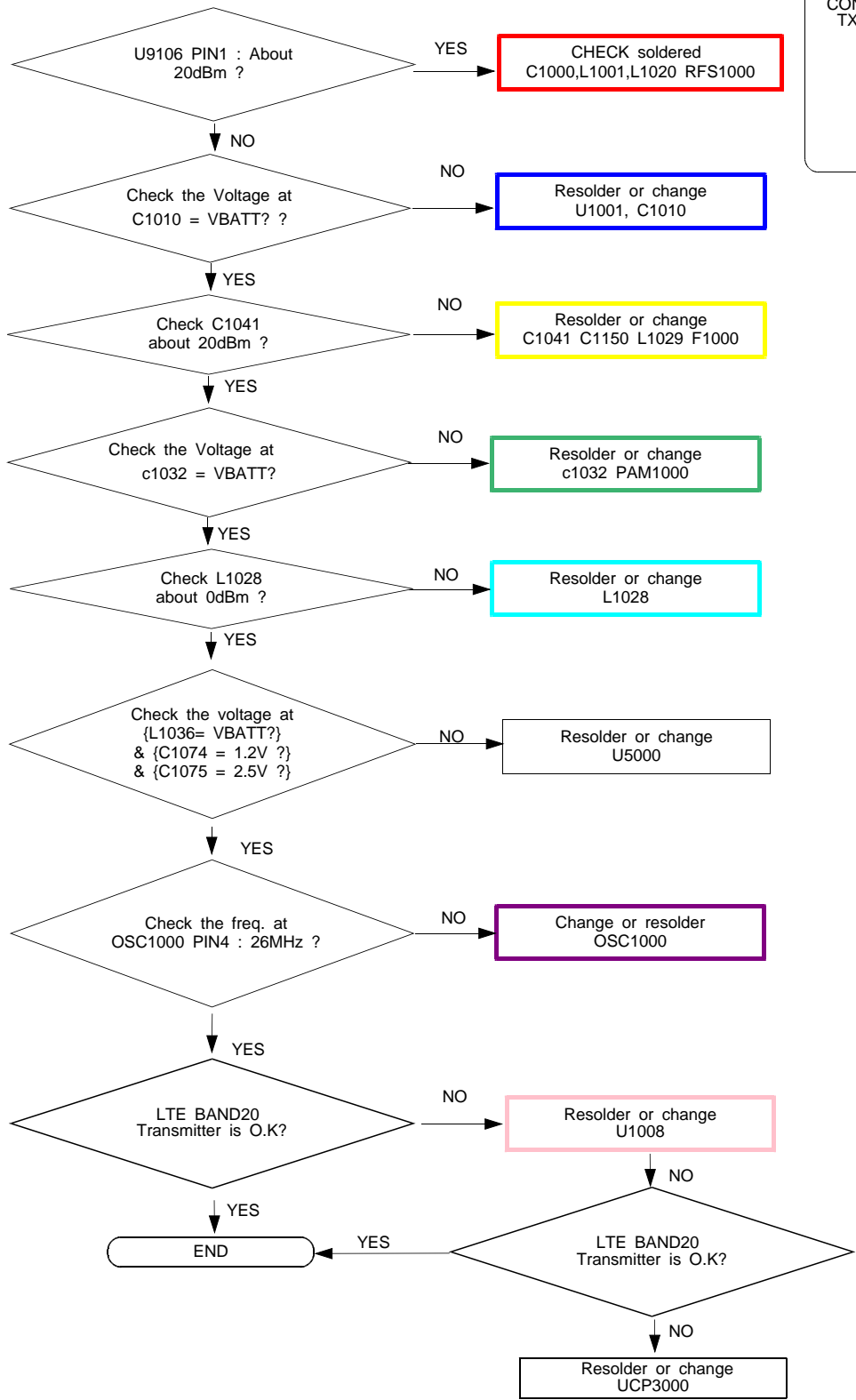
CONTINUOUS TX ON CONDITION
 TX POWER DAC:14500 CODE
 APPLIED
 LTE Band7 CH : 21100
 RBW : 100KHz
 VBW : 100KHz
 SPAN : 10MHz
 REF LEV. : 10dBm
 ATT. : 20dB



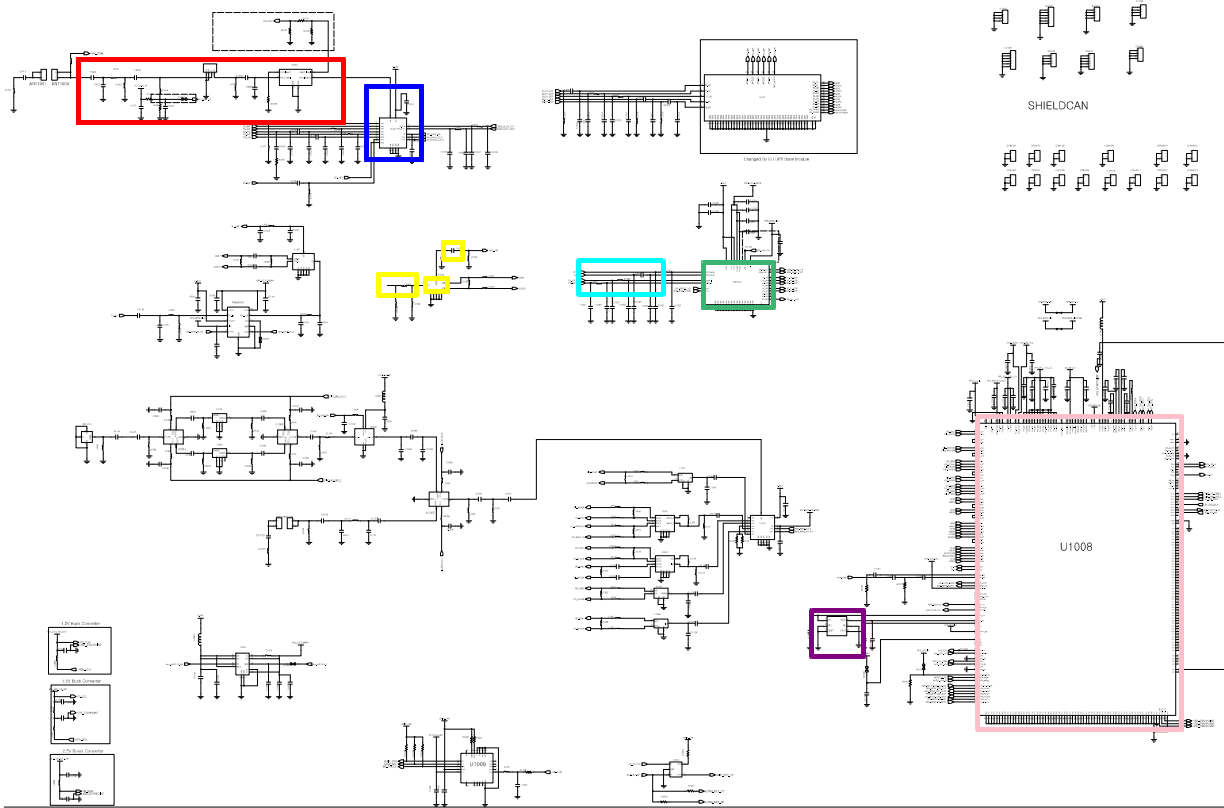




8-3-38. LTE BAND20



CONTINUOUS TX ON CONDITION
 TX POWER DAC:14500 CODE
 APPLIED
 LTE Band20 CH : 24300
 RBW : 100KHz
 VBW : 100KHz
 SPAN : 10MHz
 REF LEV. : 10dBm
 ATT. : 20dB



www.s-manuals.com