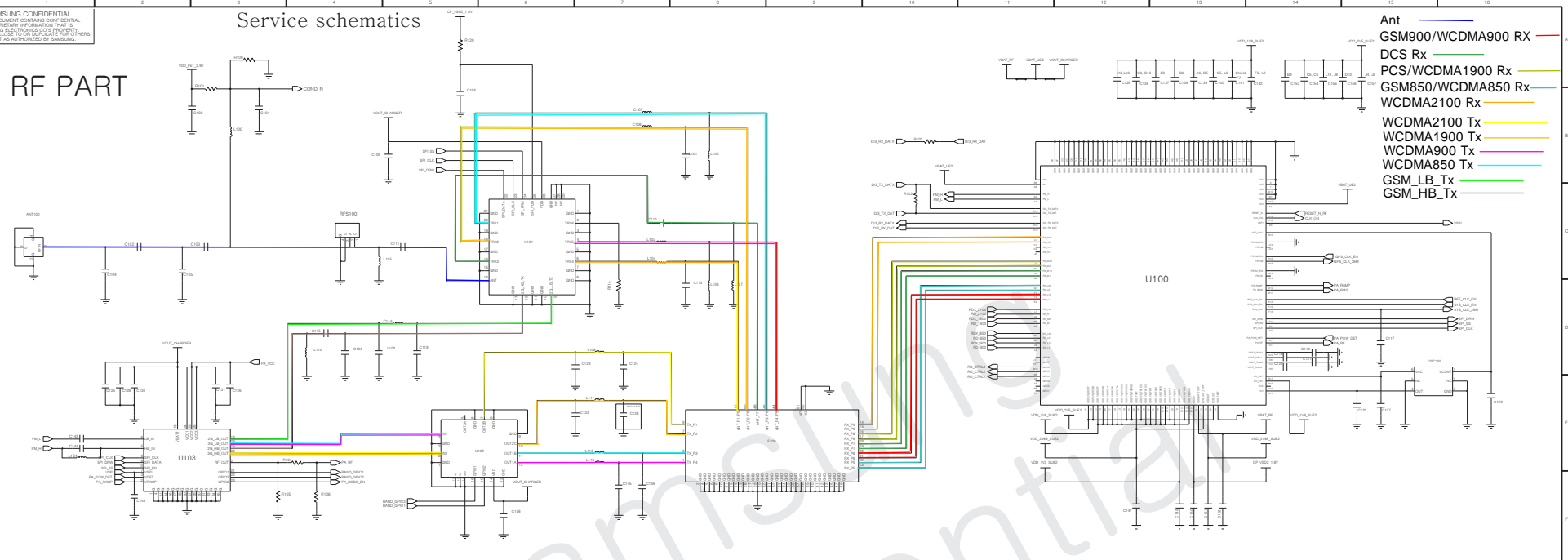


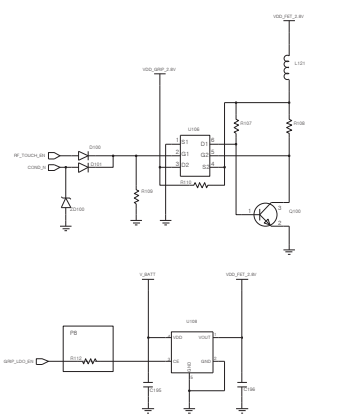
SAMSUNG CONFIDENTIAL
 THIS DOCUMENT CONTAINS CONFIDENTIAL
 PROPRIETARY INFORMATION THAT IS
 UNAUTHORIZED TO BE DISCLOSED IN ANY MANNER
 EXCEPT AS AUTHORIZED BY SAMSUNG

Service schematics

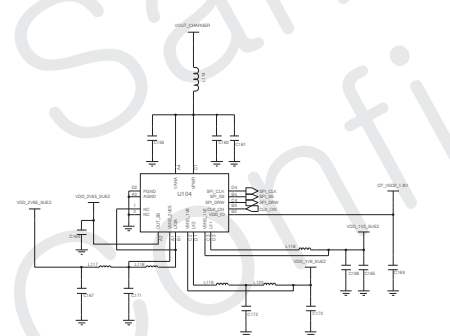
RF PART



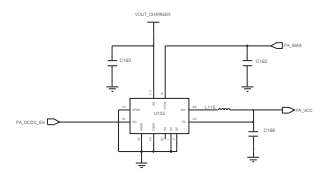
- Ant
- GSM900/WCDMA900 RX
- DCS Rx
- PCS/WCDMA1900 Rx
- GSM850/WCDMA850 Rx
- WCDMA2100 Rx
- WCDMA2100 Tx
- WCDMA1900 Tx
- WCDMA900 Tx
- WCDMA850 Tx
- GSM_LB_TX
- GSM_HB_TX



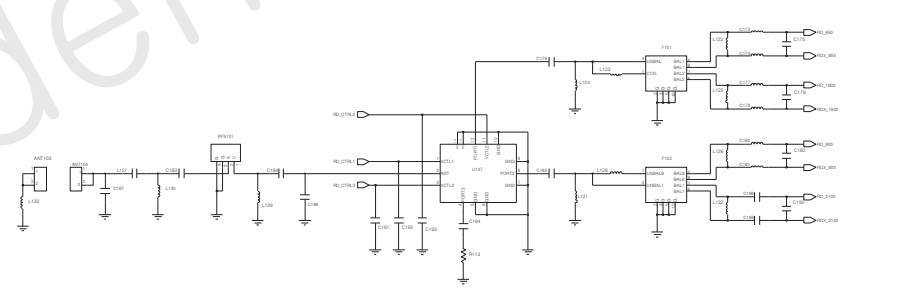
GRIP SENSOR LDO



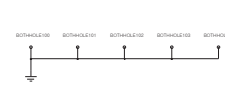
TRANSCIEVER DCDC



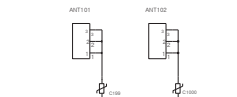
PAM DCDC



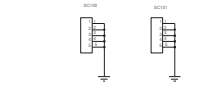
DIVERSITY SWITCH



BOTH HOLE



GND CONTACT CLIP

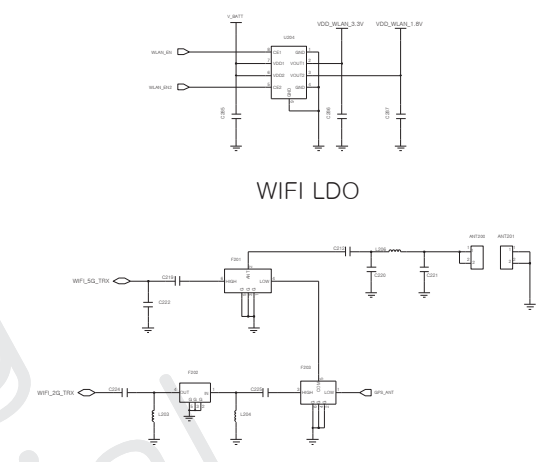
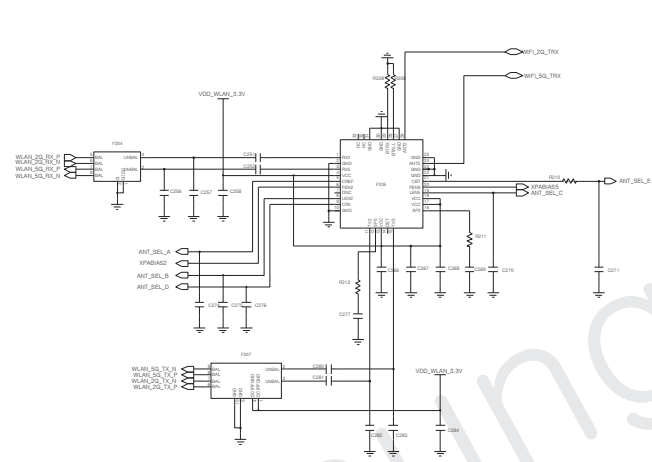
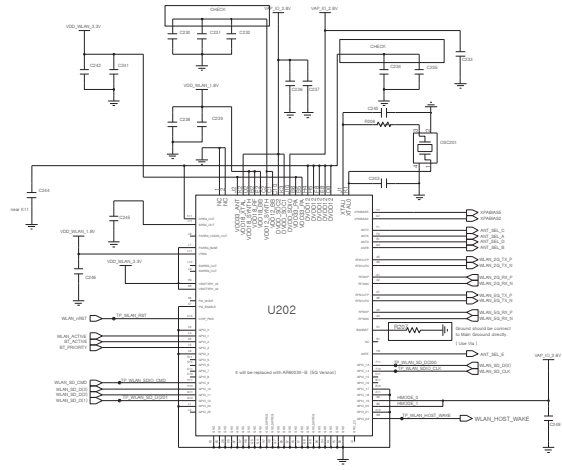


SMD SHIELD CAN

DATE	20, 3G RF
DESIGNER	
CHECKER	
APPROVED	GT-P6800_MAIN_REV0.7

SAMSUNG CONFIDENTIAL
 THIS DOCUMENT CONTAINS CONFIDENTIAL INFORMATION AND IS THE PROPERTY OF SAMSUNG ELECTRONICS CO'S PROPERTY. IT IS NOT TO BE DISCLOSED TO OR REPRODUCED FOR OTHERS EXCEPT AS AUTHORIZED BY SAMSUNG.

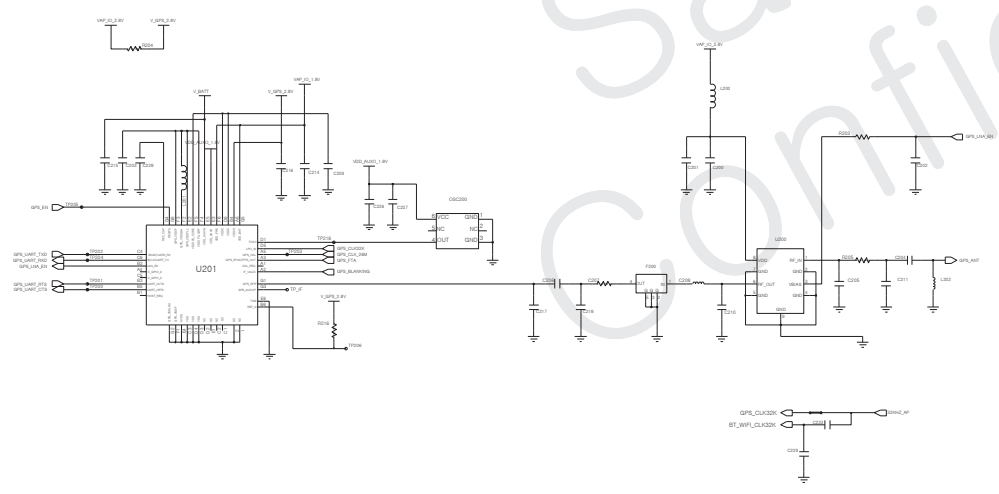
Service schematics



WIFI - AR6003

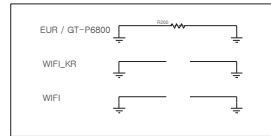
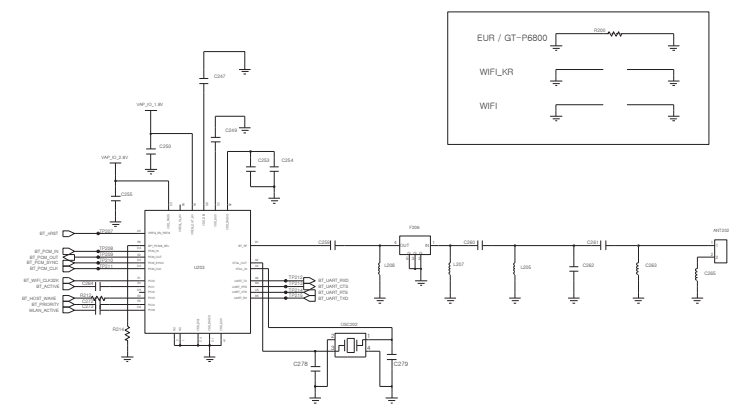
FEM Control Logic

MODE	Description	PEN2	LEN2	PEN5	LEN5	CRX	CBT	CREF
0	All off	0	0	0	0	0	0	x
2	Rx5LowG	0	0	0	0	1		1
3	Rx5HighG	0	0	0	1	1		1
4	Tx5	0	0	1	0	0		1
5	Rx2LowG+Rx5LowG	0	0	0	0	1	0	1
6	Rx2HighG+Rx5LowG	0	1	0	0	1	0	1
7	Rx2LowG+Rx5HighG	0	0	0	1	1	0	1
8	Tx2	1	0	0	0	0	0	1
9	Tx5	0	0	1	0	0	0	1
10	Rx2HighG+Rx5HighG	0	1	0	1	1	0	1



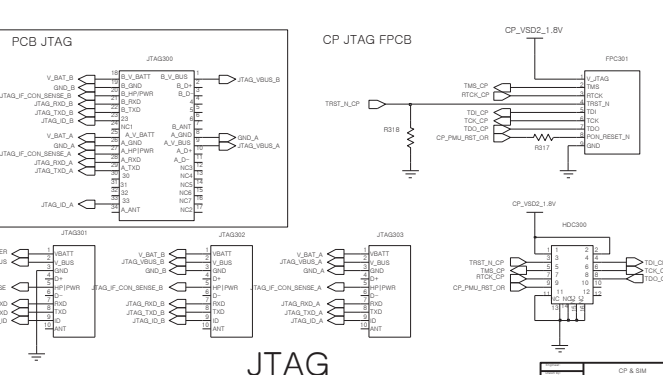
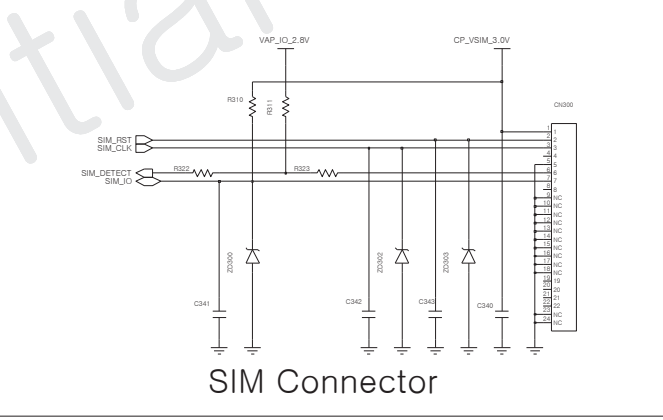
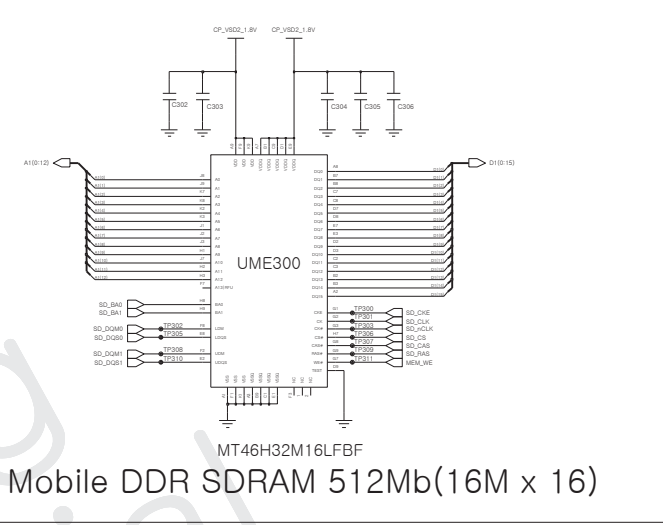
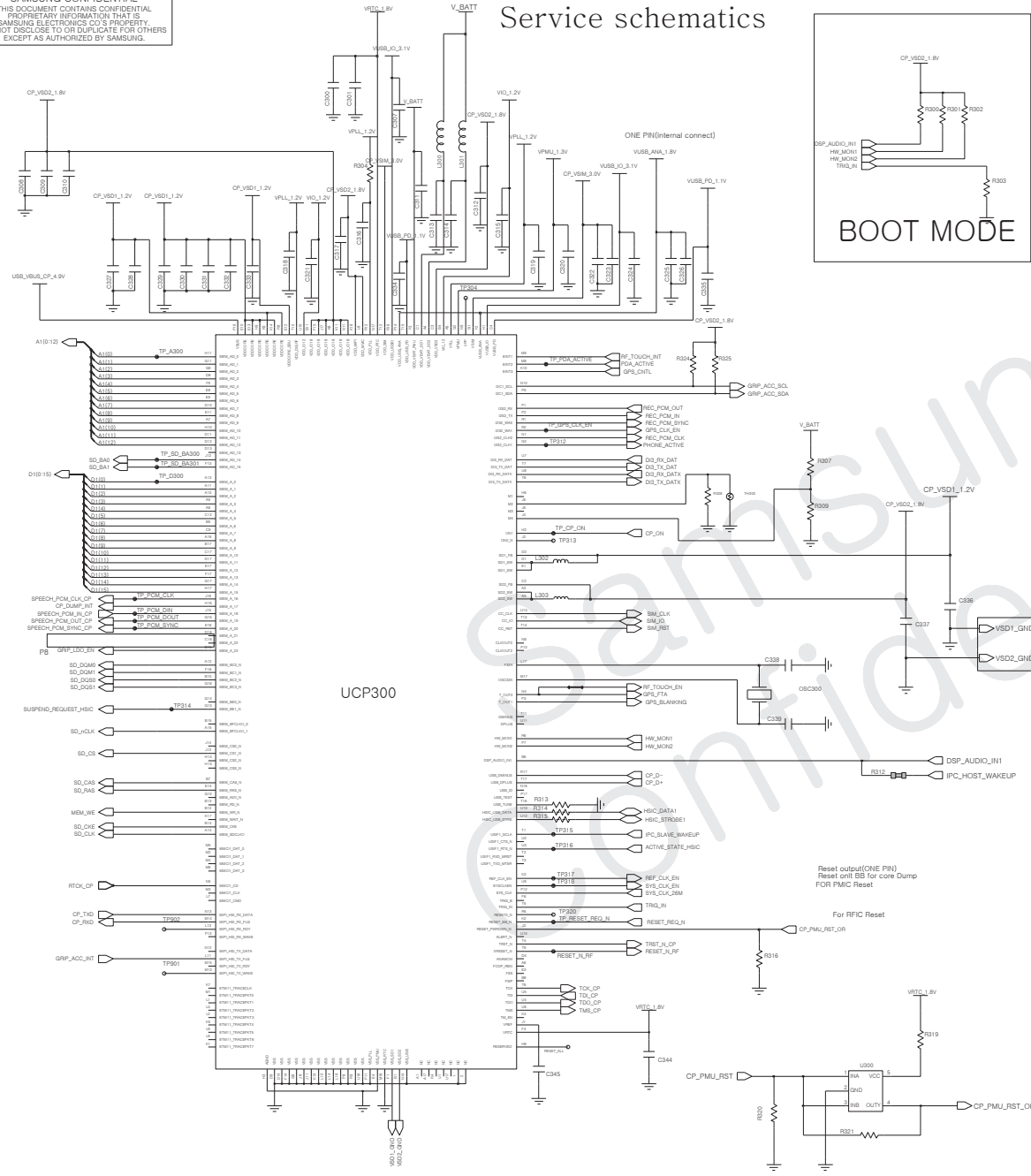
32KHZ CLOCK

BROADCOM GPS



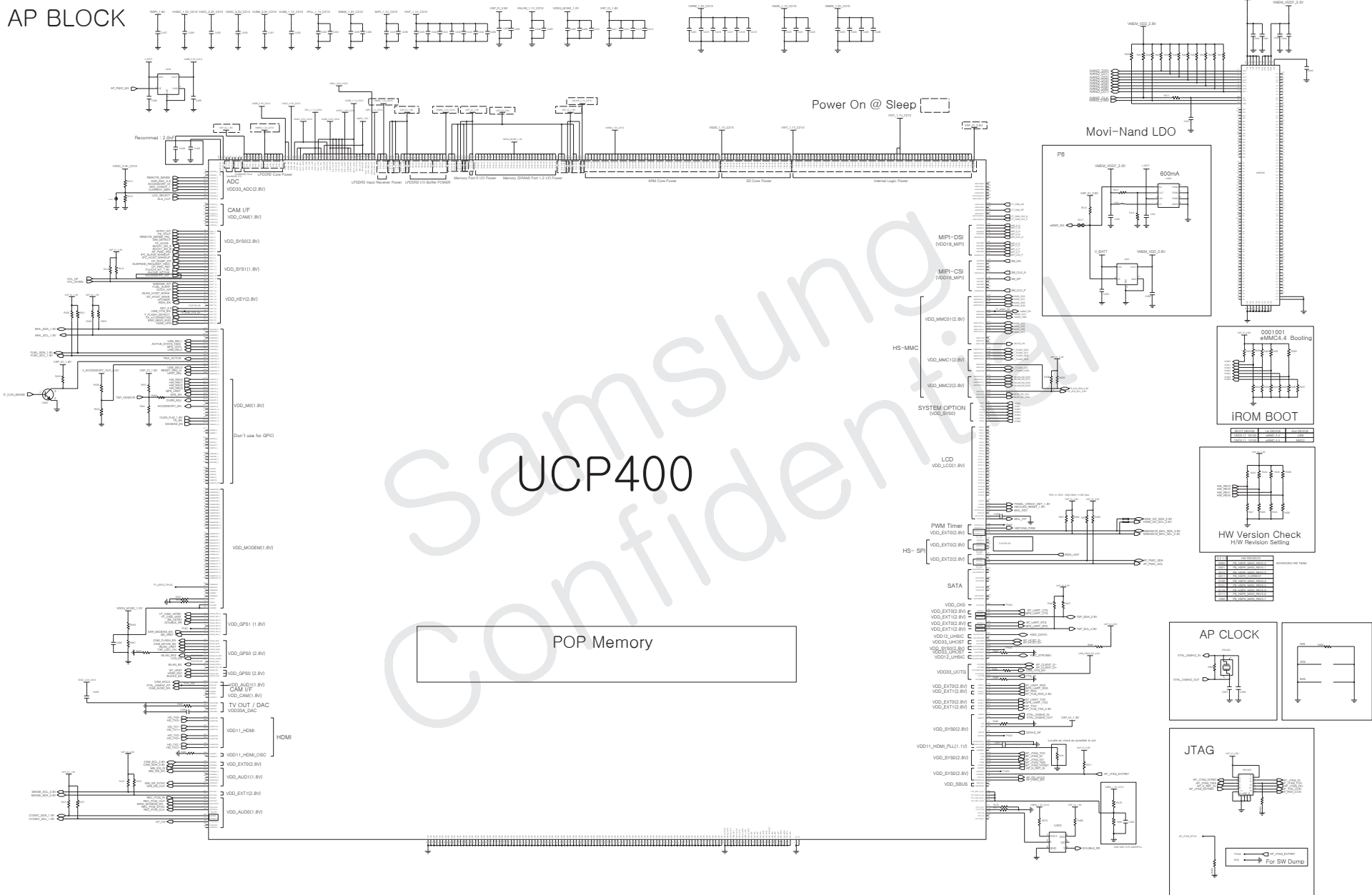
BT/WiFi/GPS
GT-P6800_MAIN_REV0.7

Service schematics



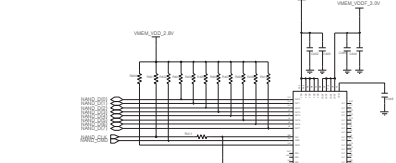
Service schematics

AP BLOCK

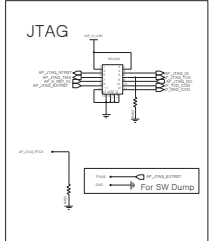
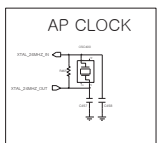
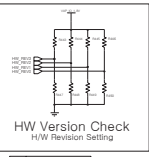
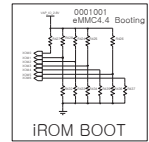
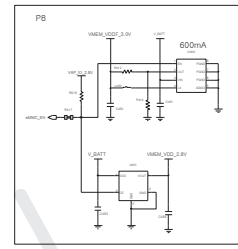


UCP400

Movi-Nand(16GB)

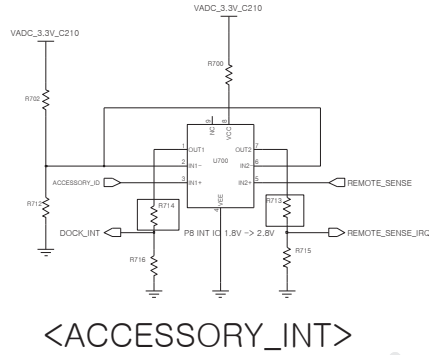
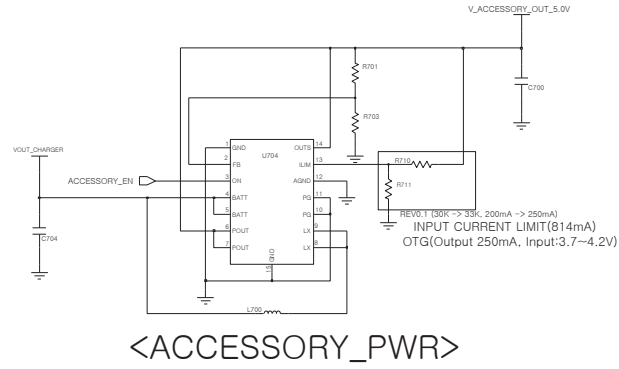


Movi-Nand LDO



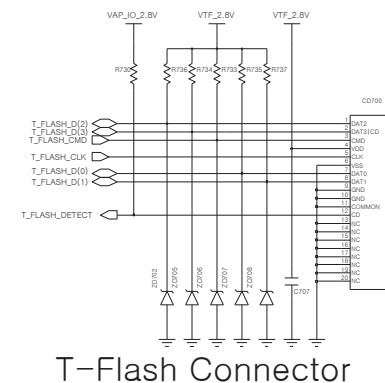
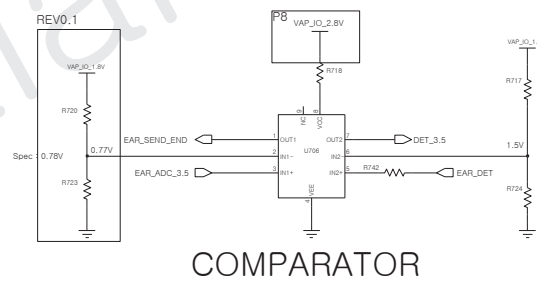
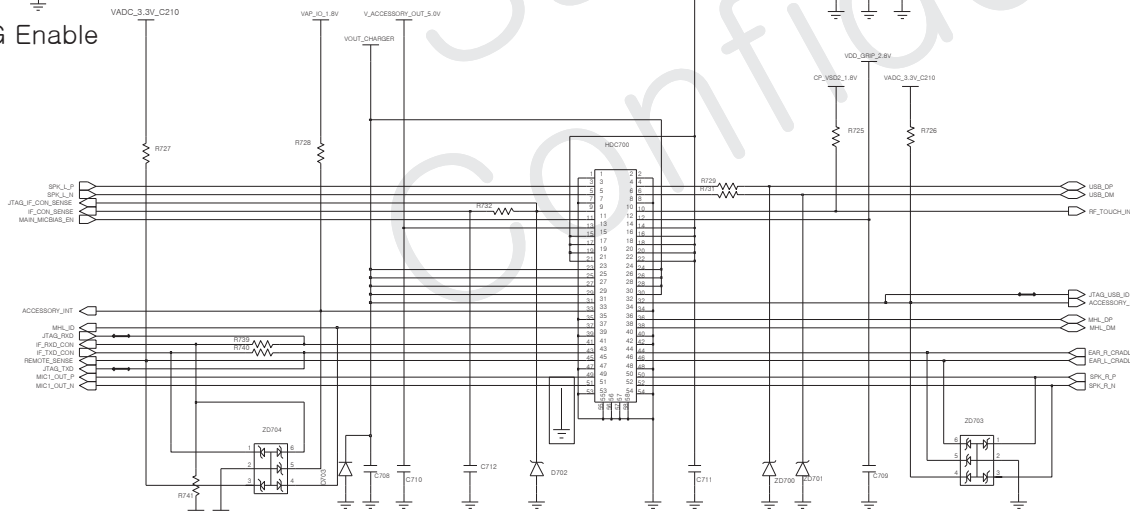
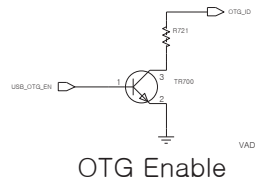
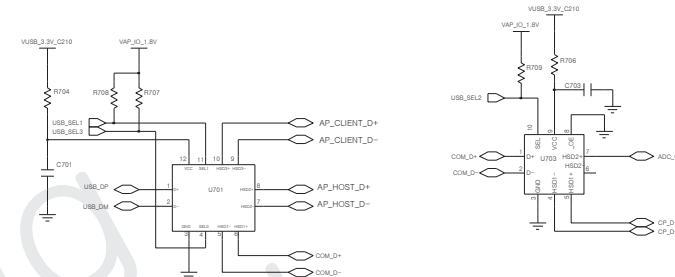
SAMSUNG CONFIDENTIAL
 THIS DOCUMENT CONTAINS CONFIDENTIAL
 PROPRIETARY INFORMATION THAT IS
 SAMSUNG ELECTRONICS CO.'S PROPERTY.
 DO NOT DISCLOSE TO OR DUPLICATE FOR OTHERS
 EXCEPT AS AUTHORIZED BY SAMSUNG.

I/F CONN PART Service schematics



USB_DP USB_DM	USB_SEL1	USB_SEL3
AP_CLIENT_D+ AP_CLIENT_D-	HIGH	HIGH
AP_HOST_D+ AP_HOST_D-	HIGH	LOW
COM_D+ COM_D-	LOW	HIGH
NOT CONNECTED	LOW	LOW

COM_D+ COM_D-	USB_SEL2
ADC_CHECK_1	HIGH
CP_D+ CP_D-	LOW

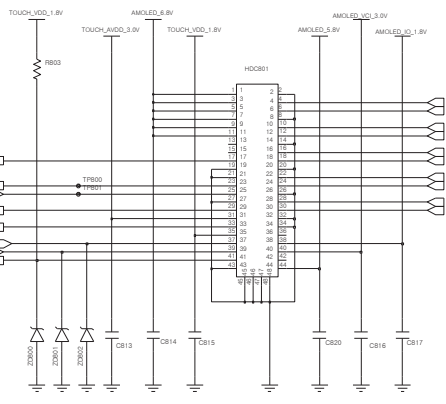


Engineer	IF & SWITCH & ETC
Drawn by	
Check by	
Design-CHKR	
Wiring-CHKR	
GM-CHK	
REV	Drawing Number
	Page - 7

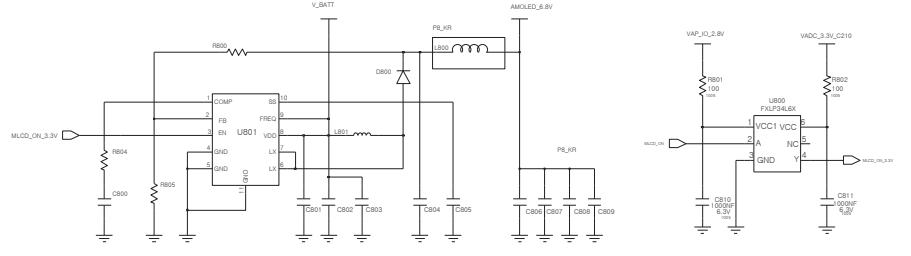
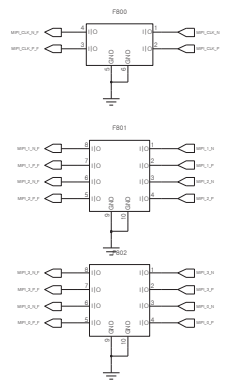
LCD_PART

Service schematics

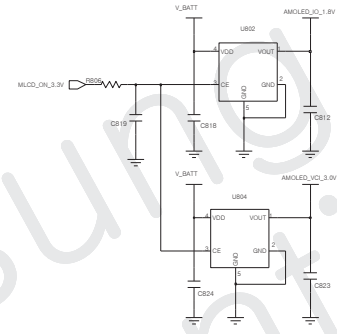
<LCD POWER>



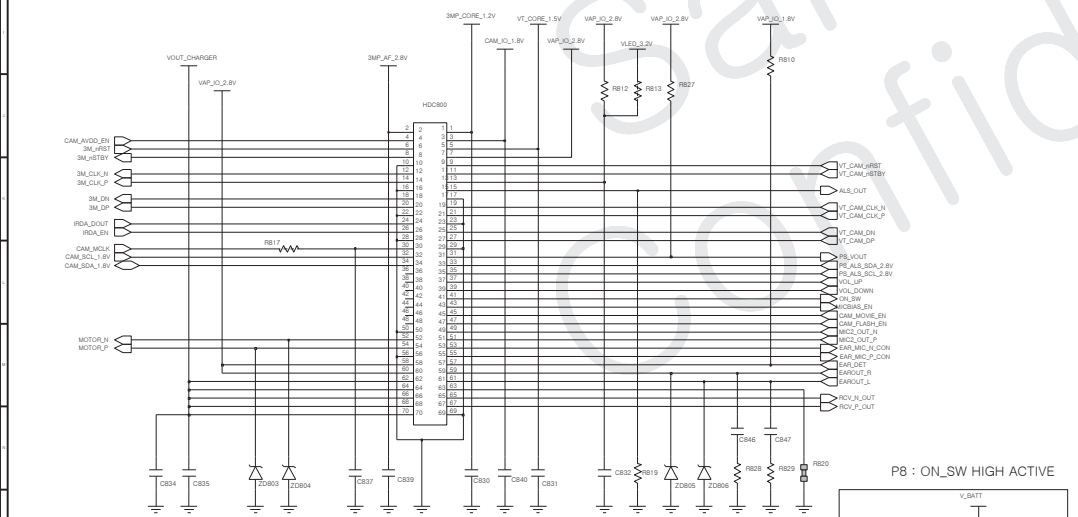
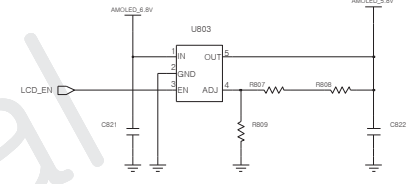
44PIN TOUCH+AMOLED CONN



AMOLED 6.8V

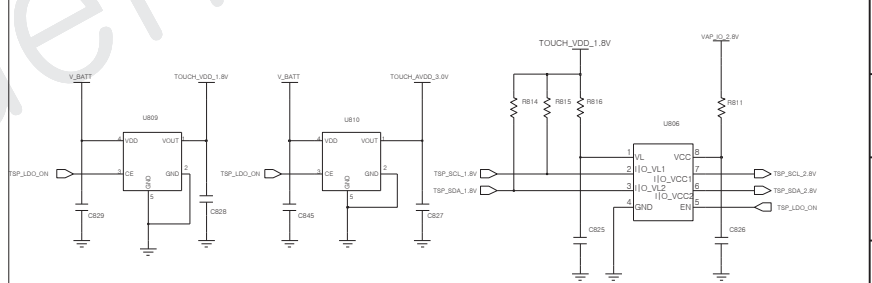
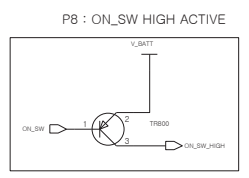


AMOLED 5.8V

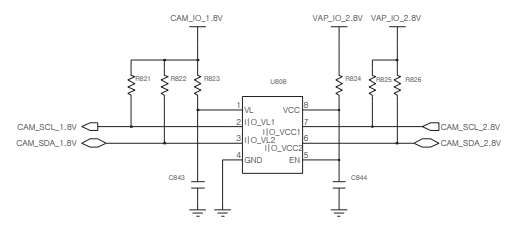


SUB PCB CONNECTOR

<RCV, SUB MIC, CAM_FLASH, 3M & 2M CAM>
 <KEY, IRDA, 3.5PI, LIGHT SENEOR>



<TSP POWER, L/S>



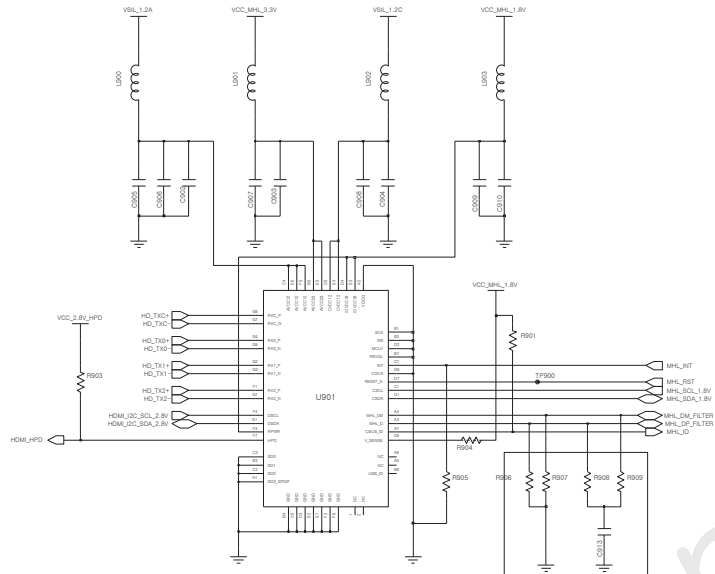
LCD & TSP
01-FB04,MAH,REV.1

SAMSUNG CONFIDENTIAL
 THIS DOCUMENT CONTAINS CONFIDENTIAL
 PROPRIETARY INFORMATION THAT IS
 SAMSUNG ELECTRONICS CO.'S PROPERTY.
 DO NOT DISCLOSE TO OR DUPLICATE FOR OTHERS
 EXCEPT AS AUTHORIZED BY SAMSUNG.

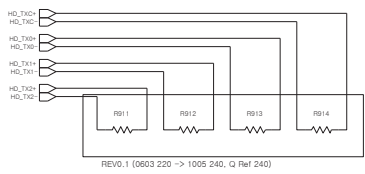
MHL_PART

Service schematics

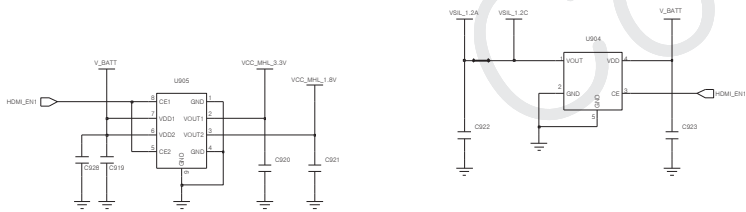
SENSOR_PART



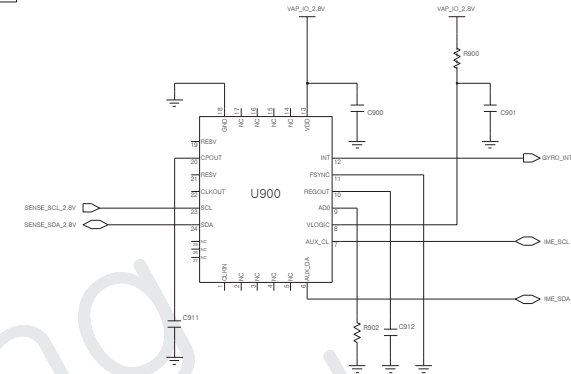
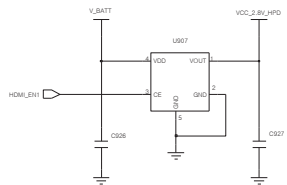
MHL TRANSMITTER



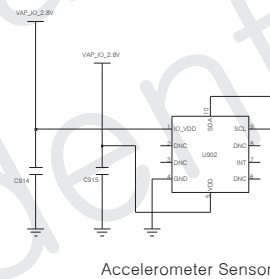
COMMON_FILTER
(Near I/F CON.)



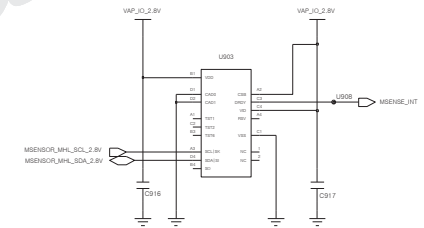
MHL_POWER



Gyro Sensor



Accelerometer Sensor

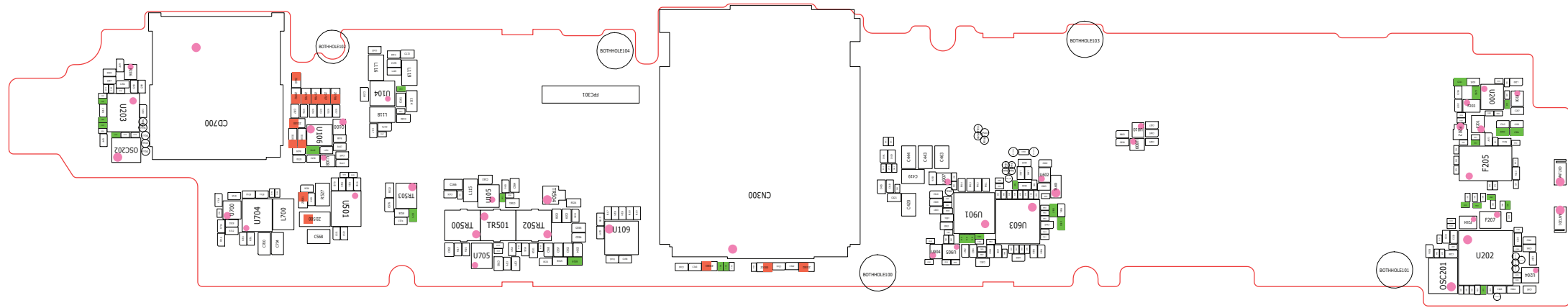


Magnetic Sensor



IR Remote control IC

Engineer	SENSOR & MHL	
Drawn by	TITLE	
REVISION	REV. NO.	
DESIGN CHG	GT-P6800_MAIN_REV.0.7	
WIRING CHG	REV	
QA CHK	Drawing Number	Page 9



www.s-manuals.com