

**SAMSUNG**

# GSM TELEPHONE

## GT-P7510

# **SERVICE** *Manual*

GSM TELEPHONE

CONTENTS



1. Safety Precautions
2. Specification
3. Product Function
4. Exploded View and Parts list
5. MAIN Electrical Parts List \_11.05.13
6. Level 1 Repair
7. Level 2 Repair
8. Level 3 Repair\_Rev 1.3 / 11.05.13
9. Reference data

Notice: All functionality, features, specifications, and other product information provided in this document, including but not limited to, benefits, design, pricing, components, performance, availability, and capabilities of the product are subject to change without notice. Samsung reserves the right to alter this document or the product described herein at anytime, without obligation to provide notification of such changes.

**SAMSUNG  
ELECTRONICS**



## 7. Level 2 Repair

### 7-1. Disassembly and assembly Instructions

#### 7-1-1. Disassembly

- 1** Carefully release the screws at 2 different locations  
(Torque  $1.1 \pm 0.1$  kgf.cm) (Size:1.4\*2.0)



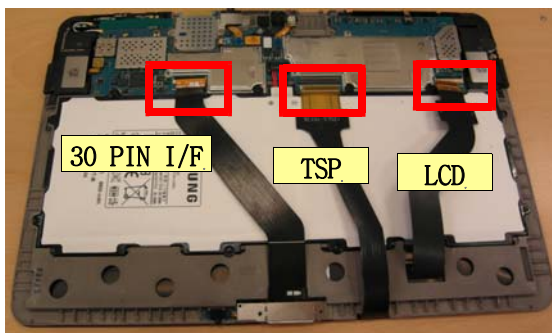
Be careful not to scratch cover.

- 2** Disengage the rear cover with the front cover by using the hook



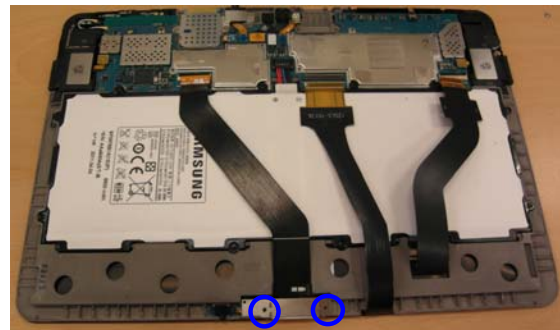
Follow the numbered sequence when you disjoint

- 3** Separate the 30 PIN I/F connector, TSP connector, LCD connector from the PBA.



Be careful not to damage the FPCBs

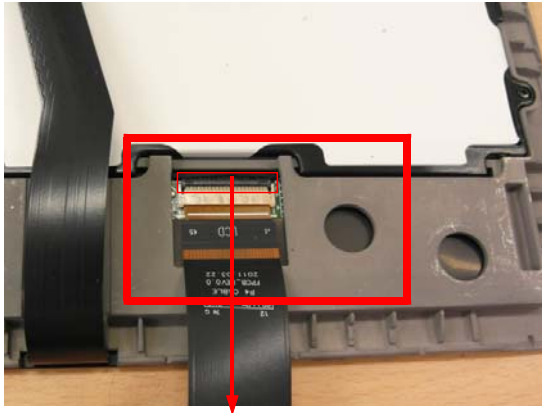
- 4** Release the screw at 2 points (Size:)(Torque:  $1.1 \pm 0.1$  kgf.cm).



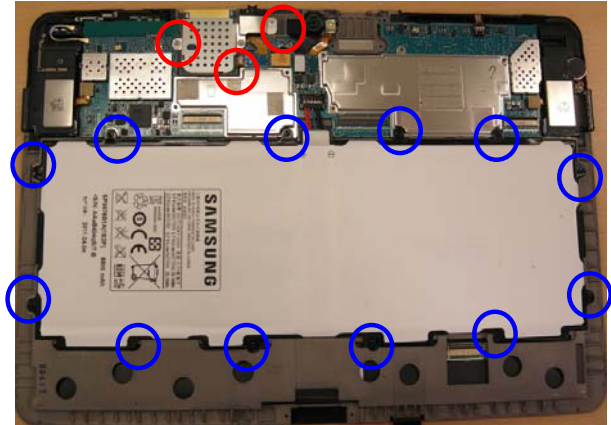
◆blue:L2.5  
(2Point)

Be careful not to damage the FPCBs

**5** Open the black thin bar and Separate the LCD FPCB from the Front.



**6** Carefully release the screws at 13 different locations from the Front. (Torque  $1.1 \pm 0.1$  kgf.cm)

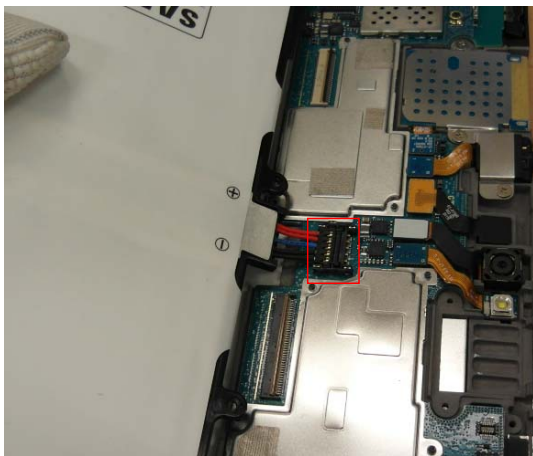


◆blue:L2.5 (10Point)  
◆red:L2 (3Point)

Be careful not to damage the FPCBs

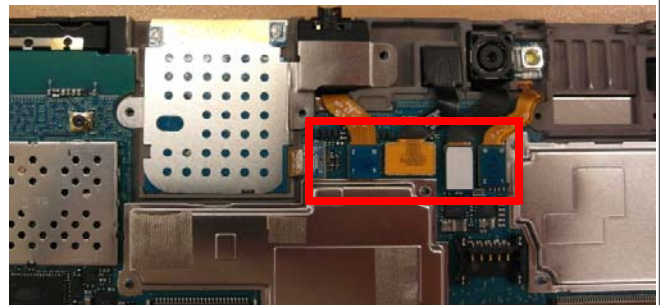
Be careful not to scratch cover

**7** Separate the Battery from PBA



Be careful not to damage the wires

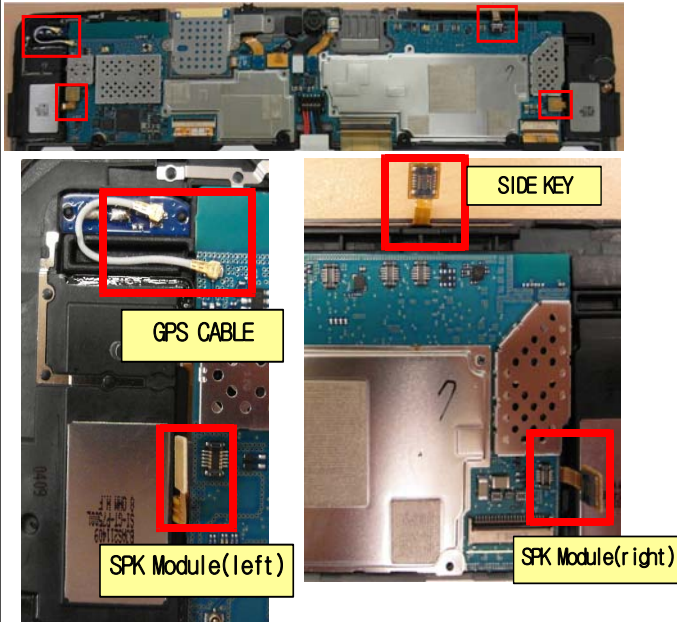
**8** Separate all connector(E/J, 2M, 3M Camera, Sensor) ribbons from the PBA.



Be careful not to damage the FPCBs

9

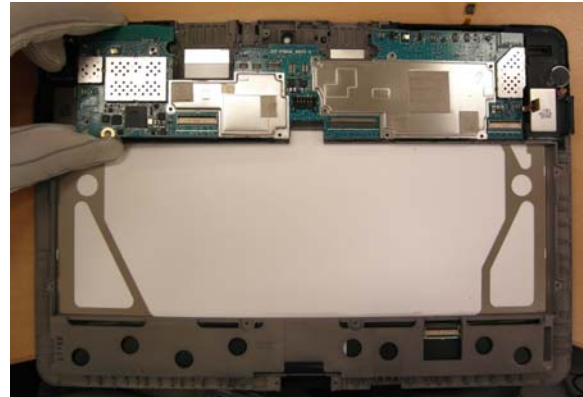
Separate the SPK Module, GPS CABLE, SIDE KEY from the PBA



Be careful not to damage the FPCBs

10

Separate the PBA from Ass'y



Be careful not to scratch cover

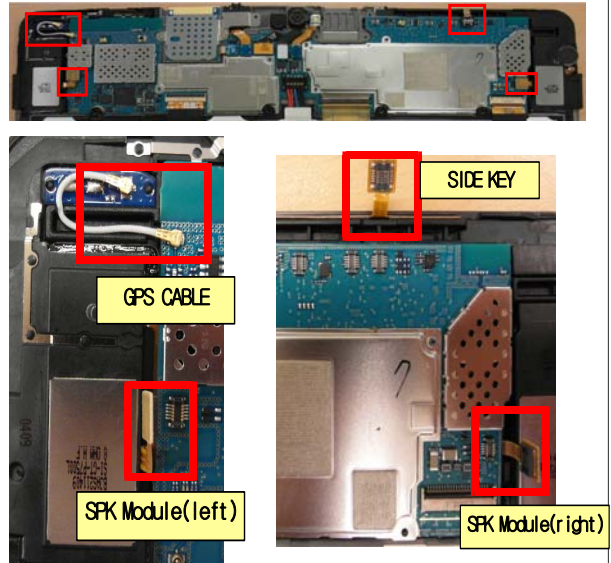
### 7-1-2. assemble

**1** Insert the PBA in the hook



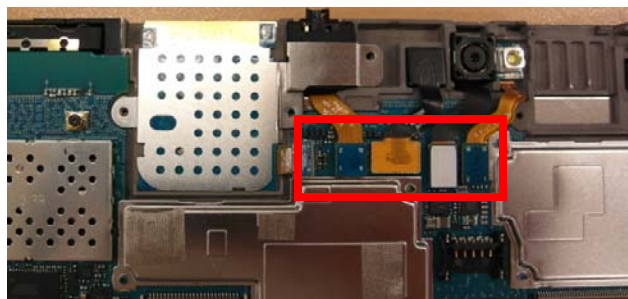
Be careful not to scratch cover

**2** Attach the SPK Module, GPS CABLE, SIDE KEY



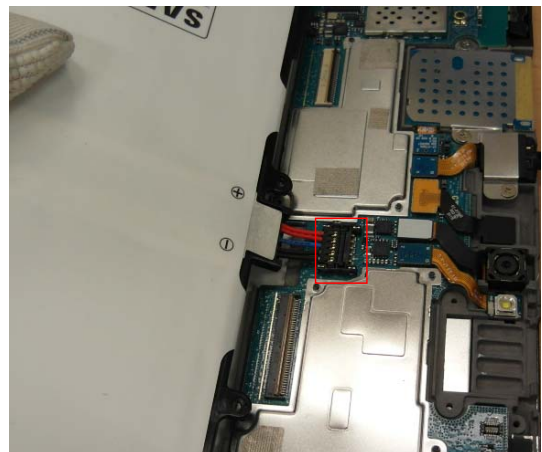
Be careful not to damage the FPCBs

**3** Attach the E/J, 2M, 3M Camera, Sensor.



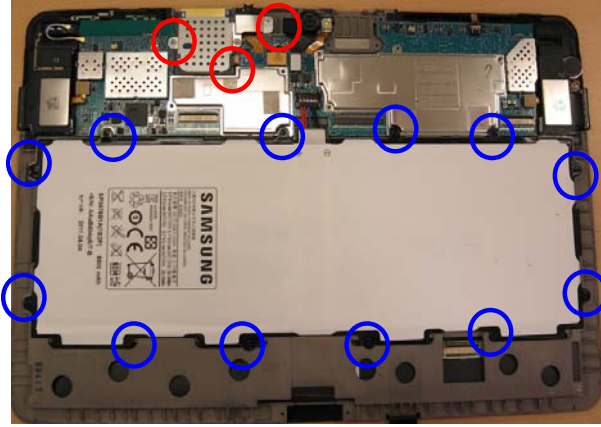
Be careful not to damage the FPCBs

**4** Attach the battery



Be careful not to damage the wires

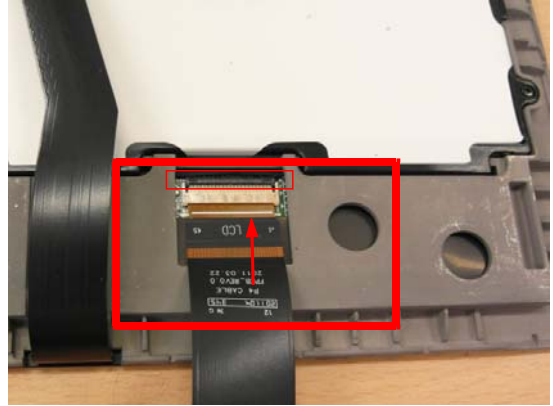
6 screws at 13 points



◆blue:L2.5 (10Point)  
◆red:L2 (3Point)

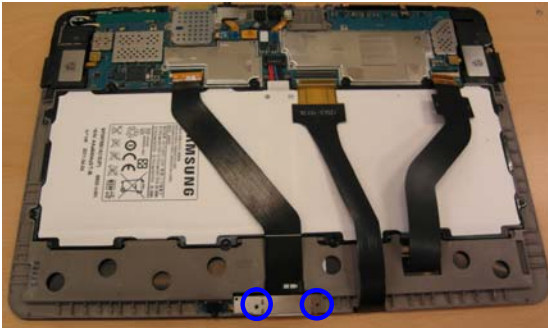
Be careful not to scratch cover  
screw:1.4\*2.0, 1.4\*2.5 (Torque 1.1 ± 0.1, '+' type)

5 Put the LCD FPCB and Close the black thin bar



Be careful not to damage the FPCBs

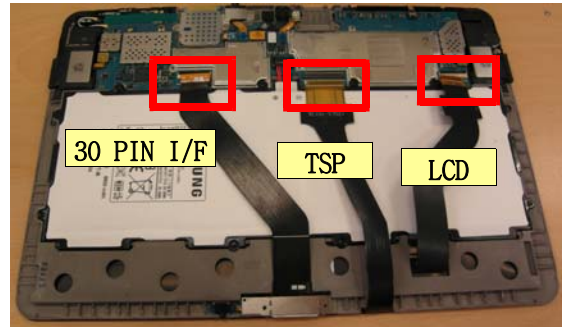
7 screws at 2 Points



◆blue:L2.5

Be careful not to damage the FPCBs

8 Insert the 30 PIN I/F, TSP, LCD Connector and Close the black thin bar



Be careful not to damage the FPCBs

9

Joint the Rear and the Front.



Follow the order

10

Screws at 2 points  
Attach screw sheet

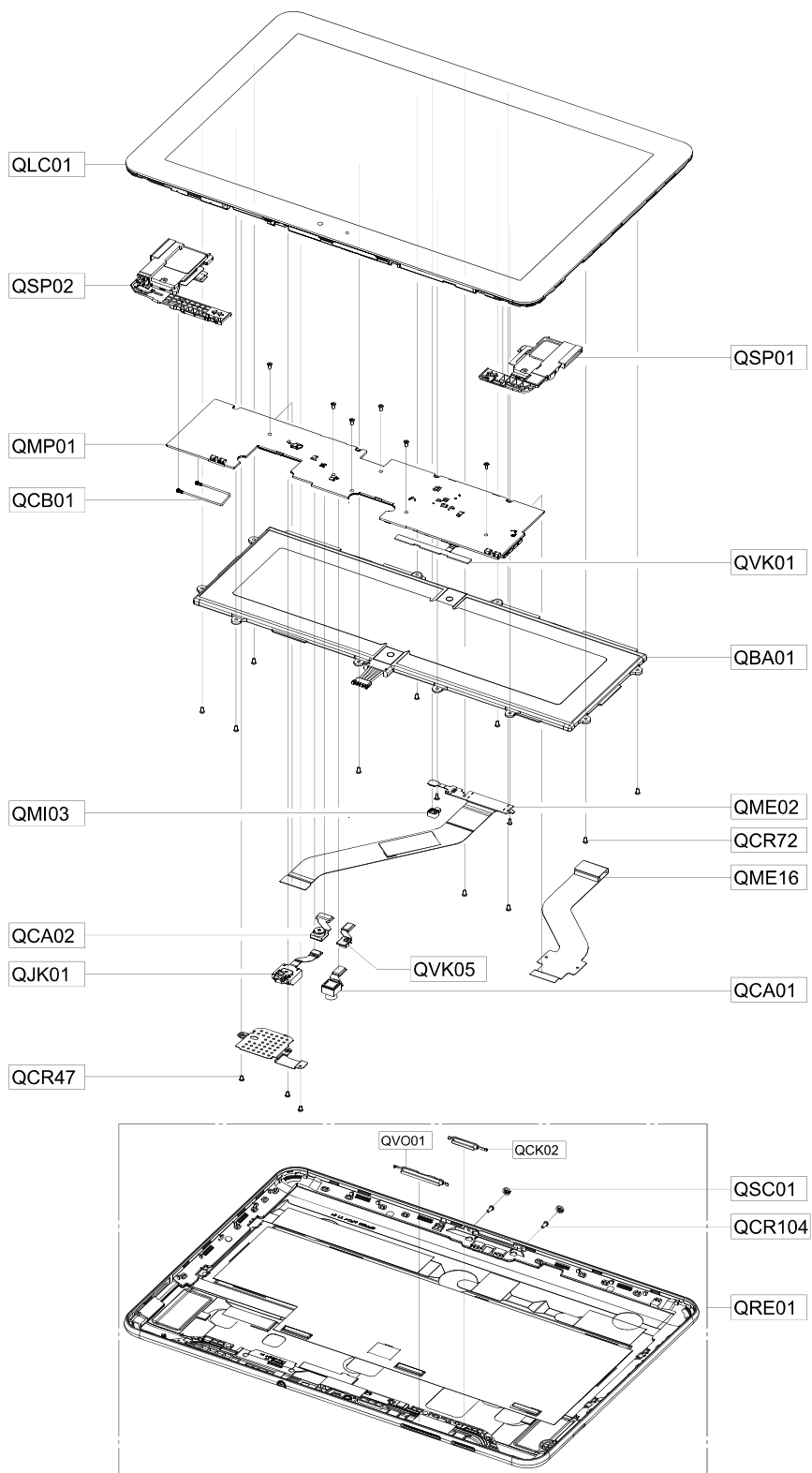


(Torque  $1.1 \pm 0.1$ , '+' type)(Size: 1.4\*2.0)  
Be careful not to scratch rear cover



# 4. Exploded View and Parts List

## 4-1. Cellular phone Exploded View



## 4-2. Cellular phone Parts list

QCR47		SCREW-MACHINE	6001-001695
QCR72		SCREW-MACHINE	6001-002051
QCR104		SCREW-MACHINE	6001-002686
QCB01		CBF COAXIAL CABLE-30MM (GT-P7500)	GH39-01485A
QBA01		INNER BATTERY OPTION	GH43-03562A
QJK01		ASSY ETC-EARJACK FPCB (GT-P7500)	GH59-11203A
QME16		ASSY ETC-CON TO CON FPCB(GT-P7500)	GH59-11210A
QVK05		KEY FPCB-FLASH LED FPCB(GT-P7500)	GH59-11211A
QME02		ASSY ETC-SUB PCB(30PIN FPCB+MIC FPCB)	GH59-11213A
QVK01		KEY FPCB-POWER+VOL KEY ASSY(GT-P7500)	GH59-11217A
QSP01		MODULE-SPEAKER+MOT(LEFT)	GH59-11219A
QSP02		MODULE-SPEAKER+INT (RIGHT)	GH59-11220A
QME03		TOUCH/PANEL-GT-P7500, LOGO_X (ITO FILM)	GH59-11647A
QMI03		RMO RUBBER-MIC HOLDER	GH73-15090A
QMP01		A/S ASSY-PBA MAIN(XAB)GT-P7510,64G,SVC	GH82-06011A
QCA01		ASSY CAMERA-MODULE GT-P7500,1/5"(3M)	GH96-05184A
QCA02		ASSY CAMERA-MODULE GT-P7500,1/5"(2M)	GH96-05185A
QFR01		MEA FRONT-LCD ASSY (P4),GT-P7510	GH97-12600A
QSC01		ASSY COVER-SCREW CAP	GH98-20396B
QRE01		ASSY CASE-REAR(NORTH AMER_GRAY)	GH98-20667C
	QVO01	PMO KEY-VOLUME	GH72-64107B
	QCK02	PMO KEY-POWER	GH72-64108B

---

## 2. Specification

---

---

## 3. Operation Instruction and Installation

---

### Main Function

- Android OS: Honeycomb
- 3MP AF with LED Flash
- 11.1 WSVGA TFT Full Touch (C-Type)
- A-GPS / BT v2.1 USB v2.0 / WiFi (802.11 a/b/g/n)
- Recording 1080p / Playback 1080p
- Sensors: Accelation, Magnetic, Gyro, Light
- Additional :
  - 1GHz Dual Core CPU
  - Application store / Voice & Motion UI
  - Multi-touch, Multi-task manager

---

## 9. Reference Abbreviate

---

### Reference Abbreviate

- **AAC**: Advanced Audio Coding.
- **AVC** : Advanced Video Coding.
- **BER** : Bit Error Rate
- **BPSK**: Binary Phase Shift Keying
- **CA** : Conditional Access
- **CDM** : Code Division Multiplexing
- **CI** : Carrier to Interference
- **DMB** : Digital Multimedia Broadcasting
- **EN** : European Standard
- **ES** : Elementary Stream
- **ETSI**: European Telecommunications Standards Institute
- **MPEG**: Moving Picture Experts Group
- **PN** : Pseudo-random Noise
- **PS** : Pilot Symbol
- **QPSK**: Quadrature Phase Shift Keying
- **RS** : Reed-Solomon
- **SI** : Service Information
- **TDM** : Time Division Multiplexing
- **TS** : Transport Stream

---

# 1. Safety Precautions

---

## 1-1. Repair Precaution

Before attempting any repair or detailed tuning, shield the device from RF noise or static electricity discharges.

Use only demagnetized tools that are specifically designed for small electronic repairs, as most electronic parts are sensitive to electromagnetic forces.

Use only high quality screwdrivers when servicing products. Low quality screwdrivers can easily damage the heads of screws.

Use only conductor wire of the properly gauge and insulation for low resistance, because of the low margin of error of most testing equipment.

We recommend 22-gauge twisted copper wire.

Hand-soldering is not recommended, because printed circuit boards (PCBs) can be easily damaged, even with relatively low heat. Never use a soldering iron with a power rating of more than 100 watts and use only lead-free solder with a melting point below 250°C (482°F).

Prior to disassembling the battery charger for repair, ensure that the AC power is disconnected. Always use the replacement parts that are registered in the SEC system. Third-party replacement parts may not function properly.

## 1-2. ESD(Electrostatically Sensitive Devices) Precaution

Many semiconductors and ESDs in electronic devices are particularly sensitive to static discharge and can be easily damaged by it. We recommend protecting these components with conductive anti-static bags when you store or transport them.

Always use an anti-static strap or wristband and remove electrostatic buildup or dissipate static electricity from your body before repairing ESDs.

Ensure that soldering irons have AC adapter with ground wires and that the ground wires are properly connected.

Use only desoldering tools with plastic tips to prevent static discharge.

Properly shield the work environment from accidental electrostatic discharge before opening packages containing ESDs.

The potential for static electricity discharge may be increased in low humidity environments, such as air-conditioned rooms. Increase the airflow to the working area to decrease the chance of accidental static electricity discharges.

## 6. Level 6 Repair

### 6-1. S/W Download

#### 6-1-1. Pre-requisite for S/W Downloading

- Downloader Program ([Odin3 v1.83.exe](#))
- GT-P7510 Mobile Phone
- Data Link Cable
- Binary files

#### - Service Parts

Anyway Jig	Adaptor	IF Cable	RF Cable
			
<b>GH99-36900B</b>	<b>GH99-38251A</b>	<b>GH81-09211A</b>	<b>GH39-00985A</b>
MEA FRONT-LCD			
			
<b>GH97-12511A</b>			

#### ❖ Settings



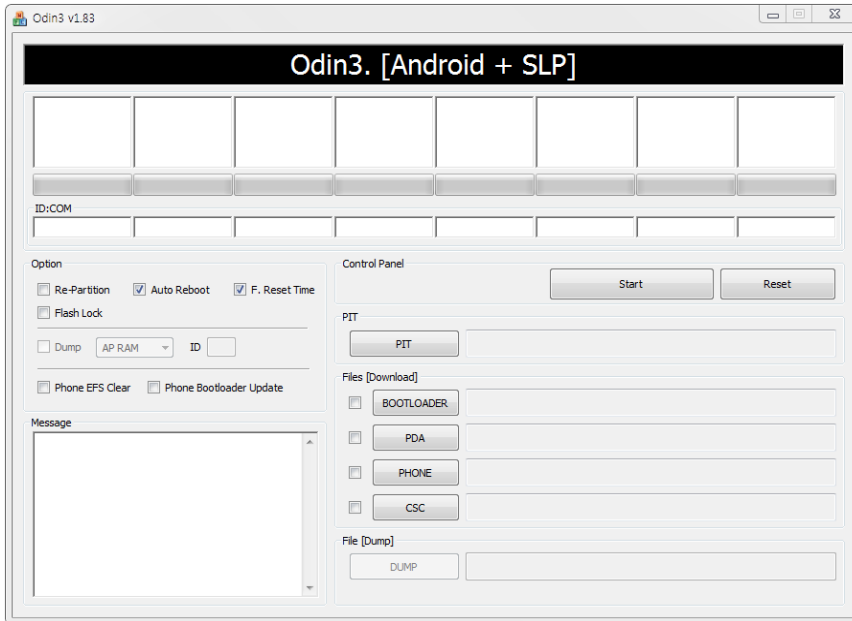
Data Link Cable





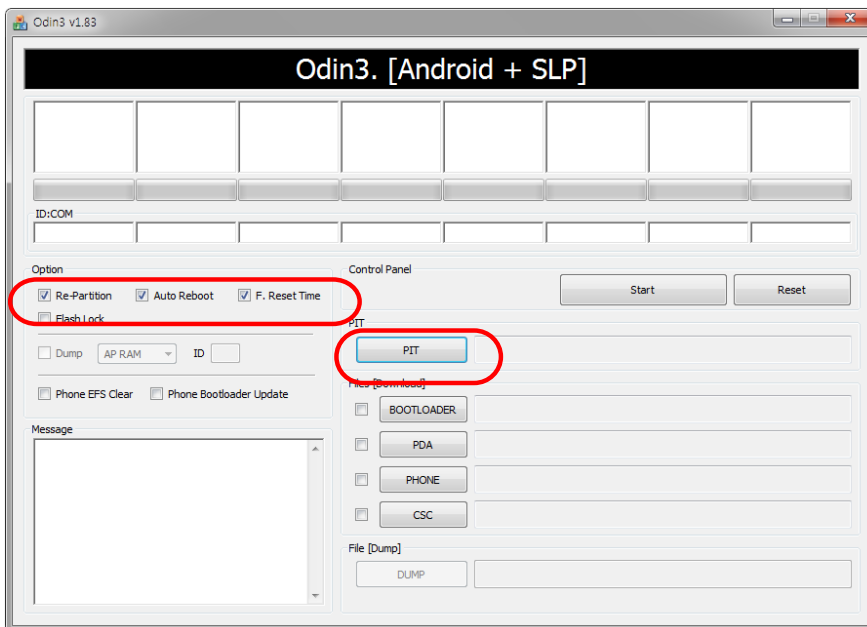
### 6-1-2. S/W Downloader Program

- Load the binary download program by executing the "Odin3 v1.83.exe" ← Run this file.



#### 1. Option Selection

- Check Re-Partition, Auto Reboot and F. Reset Time, then select PIT File



2. Enter Device into Download Mode

- Press down on Volume Down button and power key at same time for 10 seconds

Power key      Volume Down Button



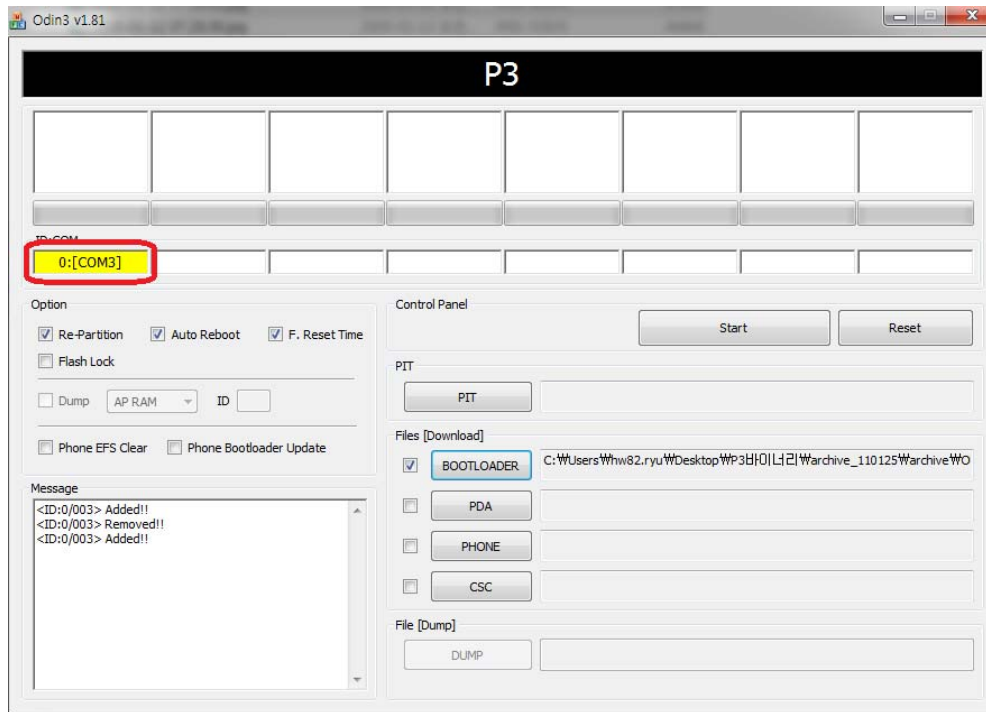
- Press down on Volume Up button to enter device into download mode

Volume Up Button

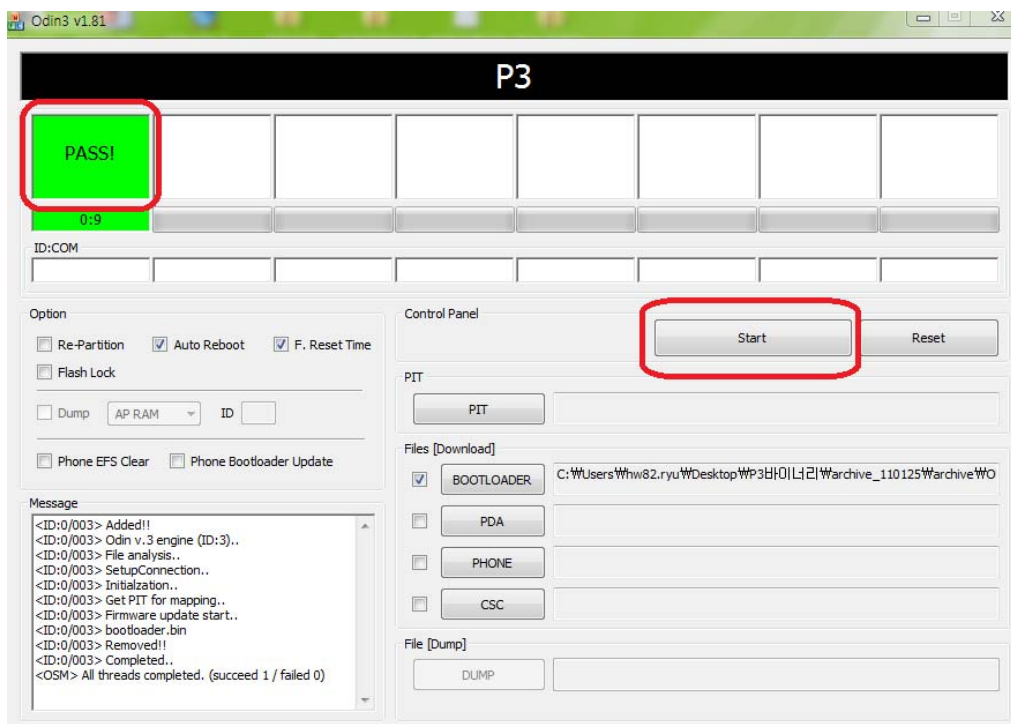


3. Connect the Device to PC via Data Cable.

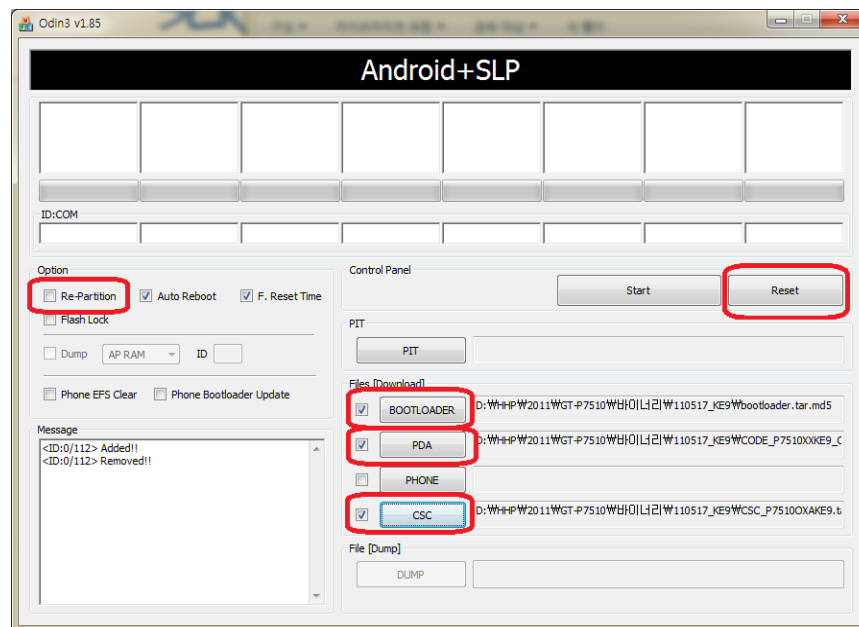
Make sure ID:COM box highlighted yellow that the device is connected to the PC.



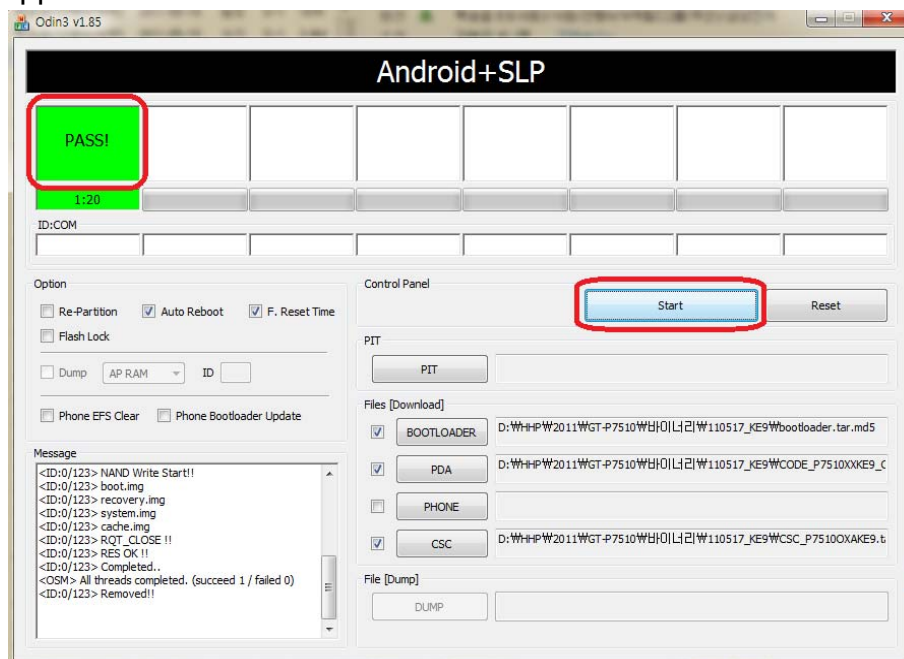
4. Start Downloading PIT file by clicking Start Button. Then wait for "Pass" to be appear on the screen.



5. Click on Reset button, then unselect Re-Partition box. Then select PDA and CSC Files.
6. Remove the battery, then enter Device into Download Mode again as in step #2. then connect to the PC.



7. Start Downloading PDA and CSC files by clicking Start Button. Then wait for "Pass" to be appear on the screen.



8. Once the device boots up, confirm the downloaded version name and etc. :

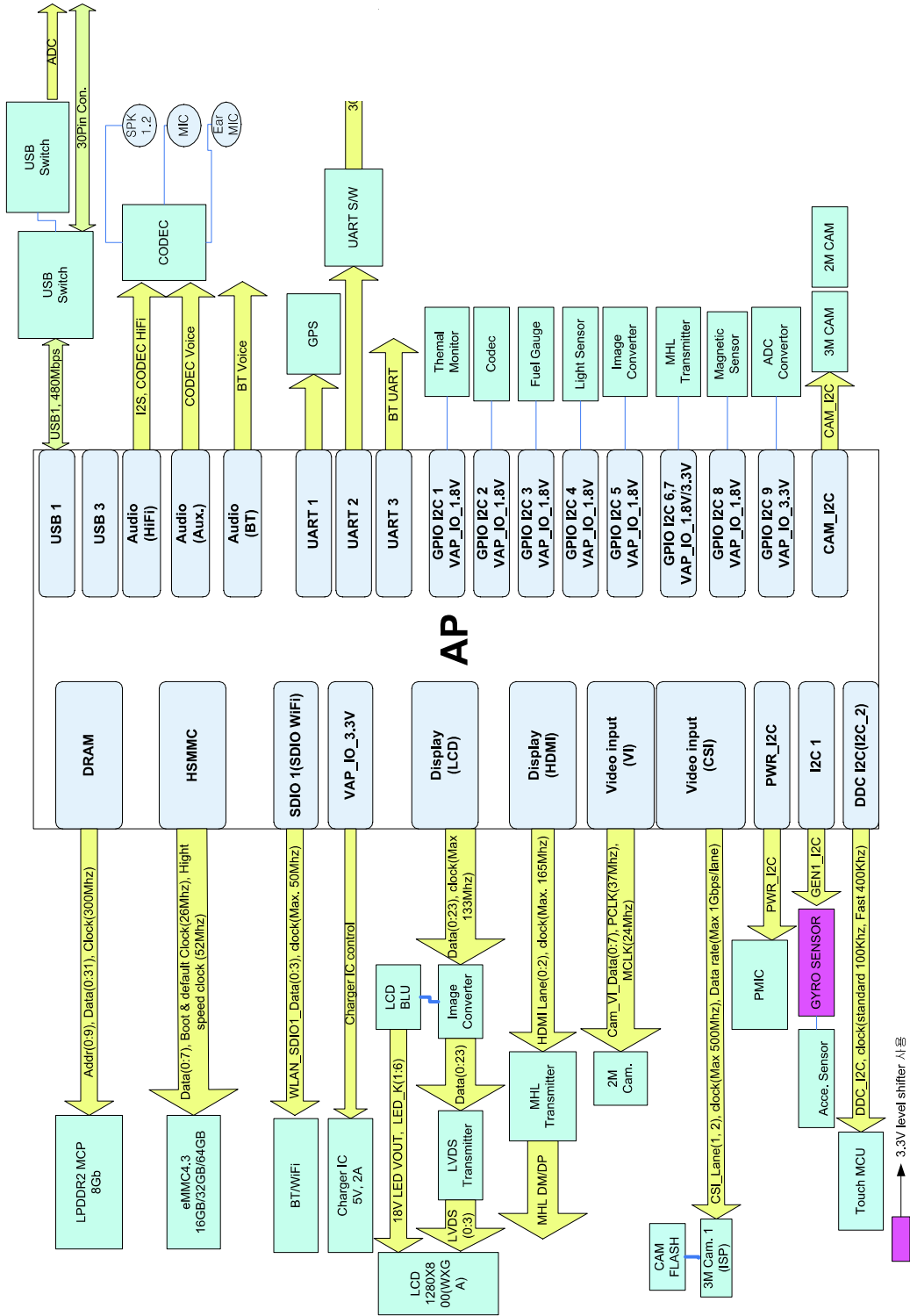
**\*#1234#**

Full Reset :

**\*2767\*3855#**

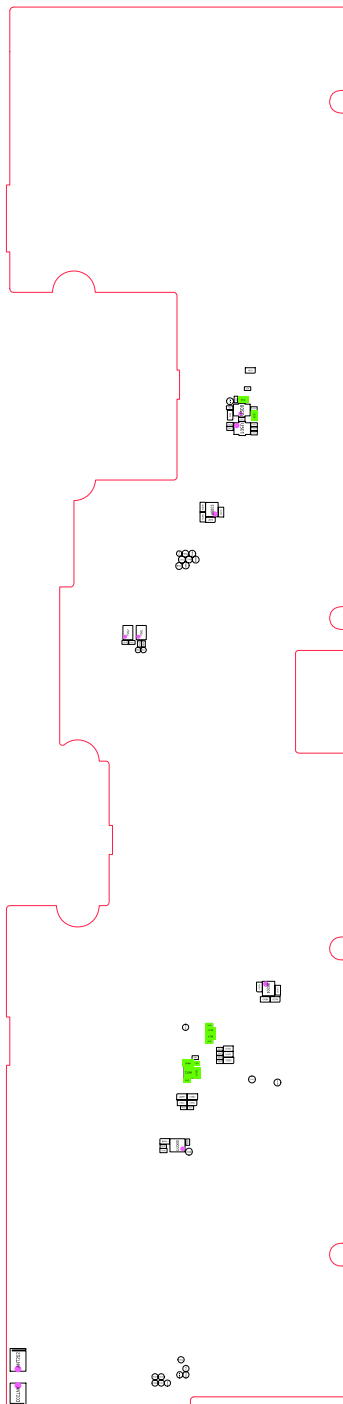
# 8. Level 3 Repair

## 8-1. Block Diagram

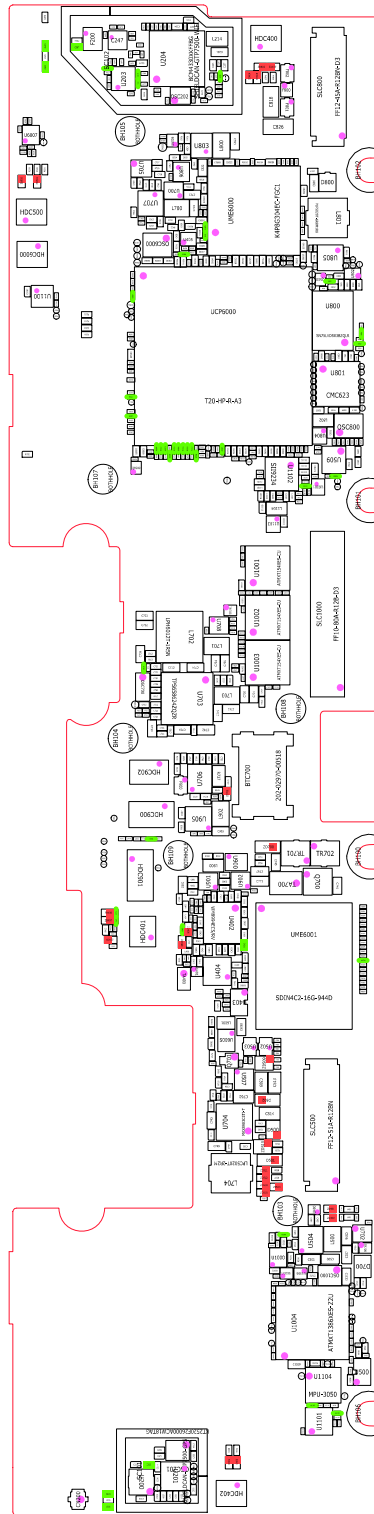


## 8-2. PCB Diagrams

### 8-2-1. Top

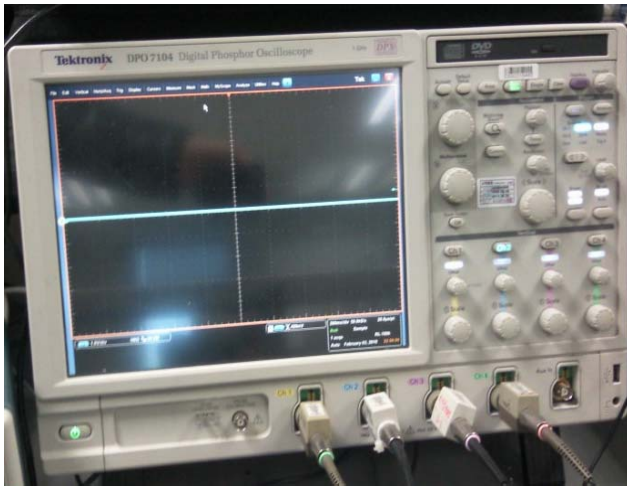


8-2-2. Bottom



### 8-3. Flow Chart of Troubleshooting

#### Equipments



↑ Oscilloscope



↑ Digital Multimeter



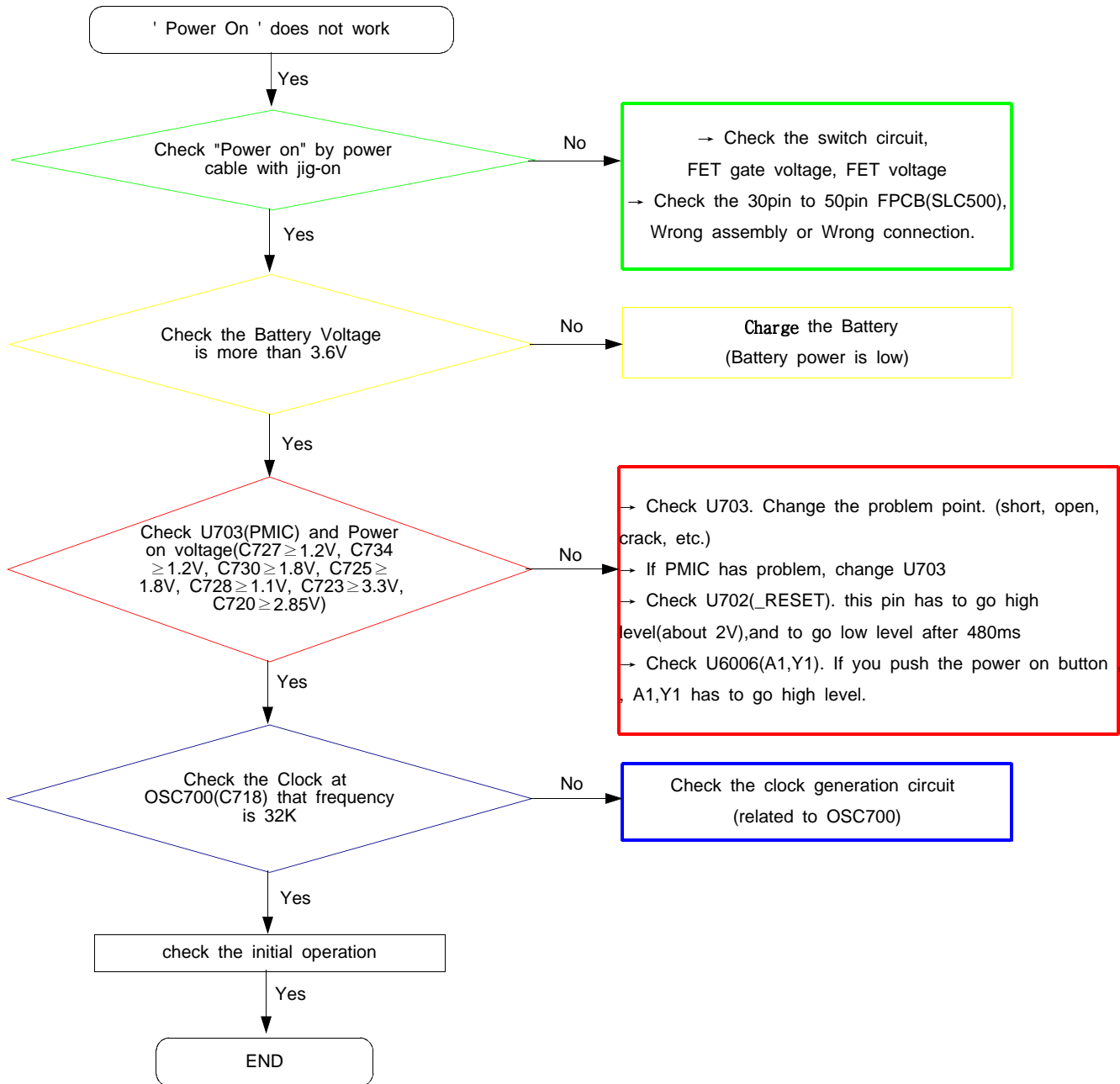
↑ Power Supply

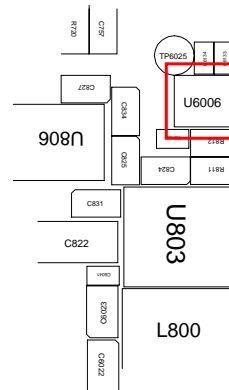
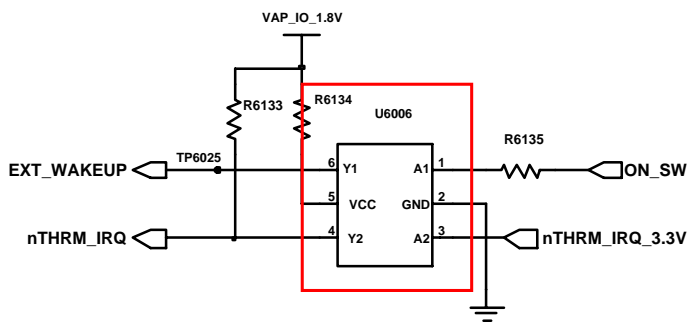
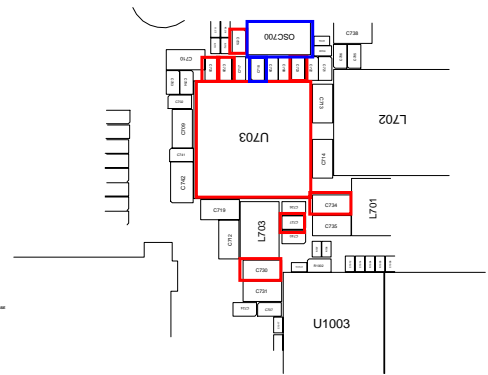
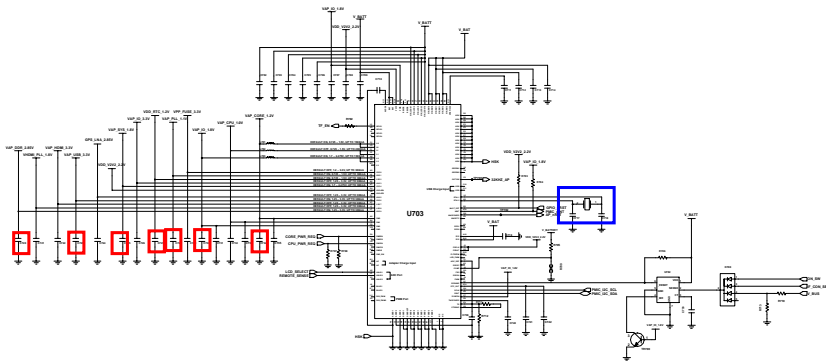
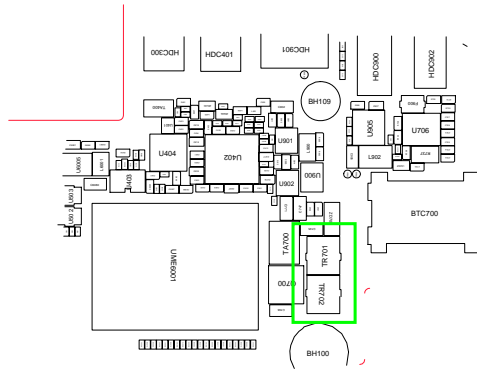
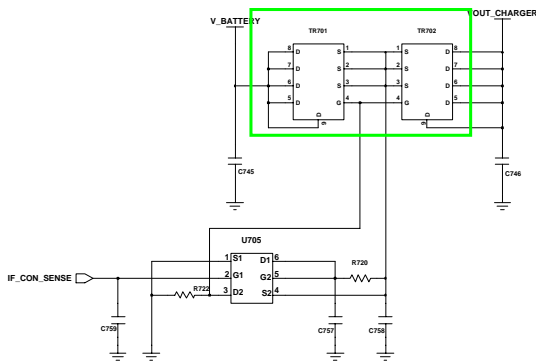


↑ + driver, Tweezer

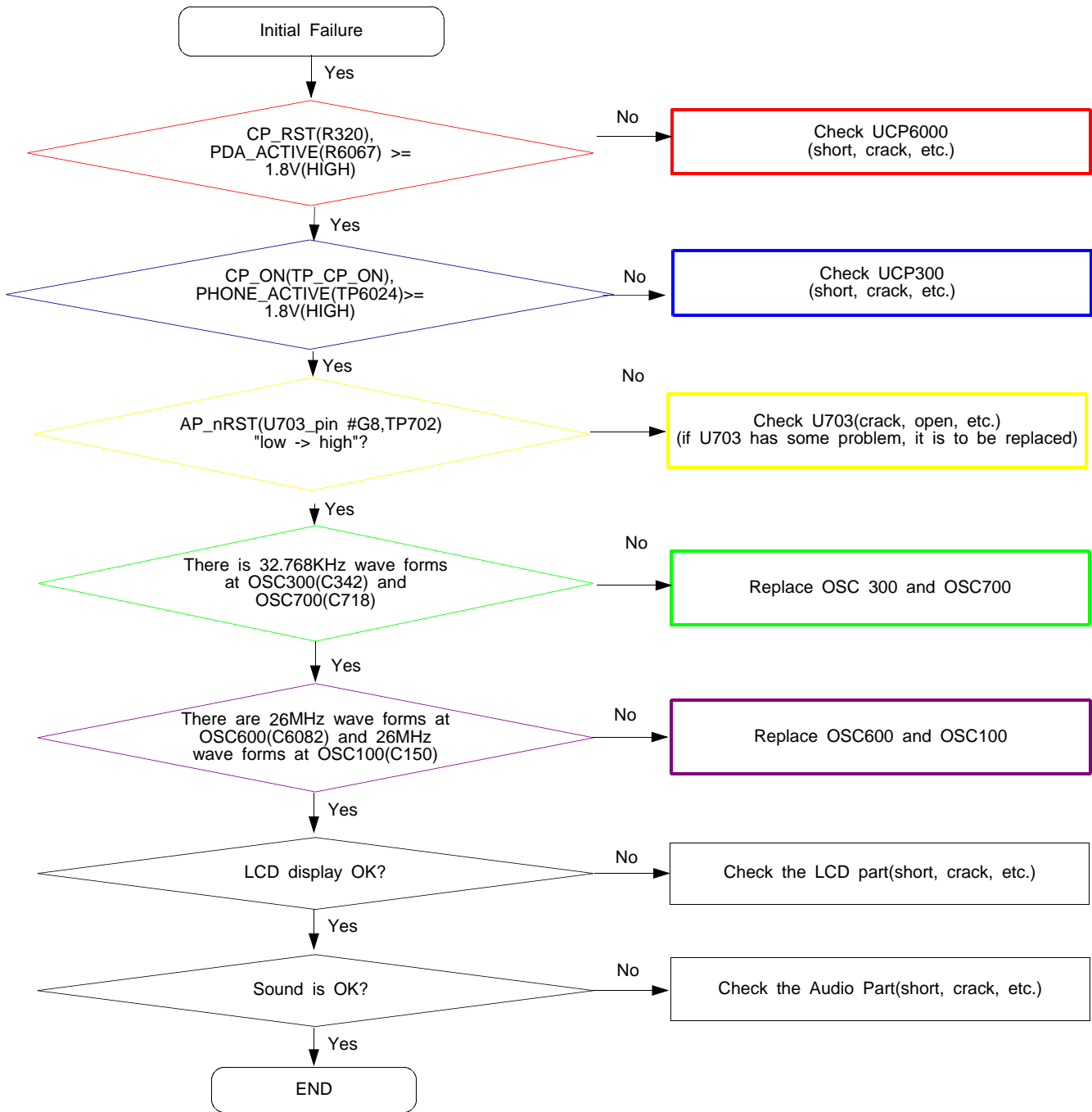


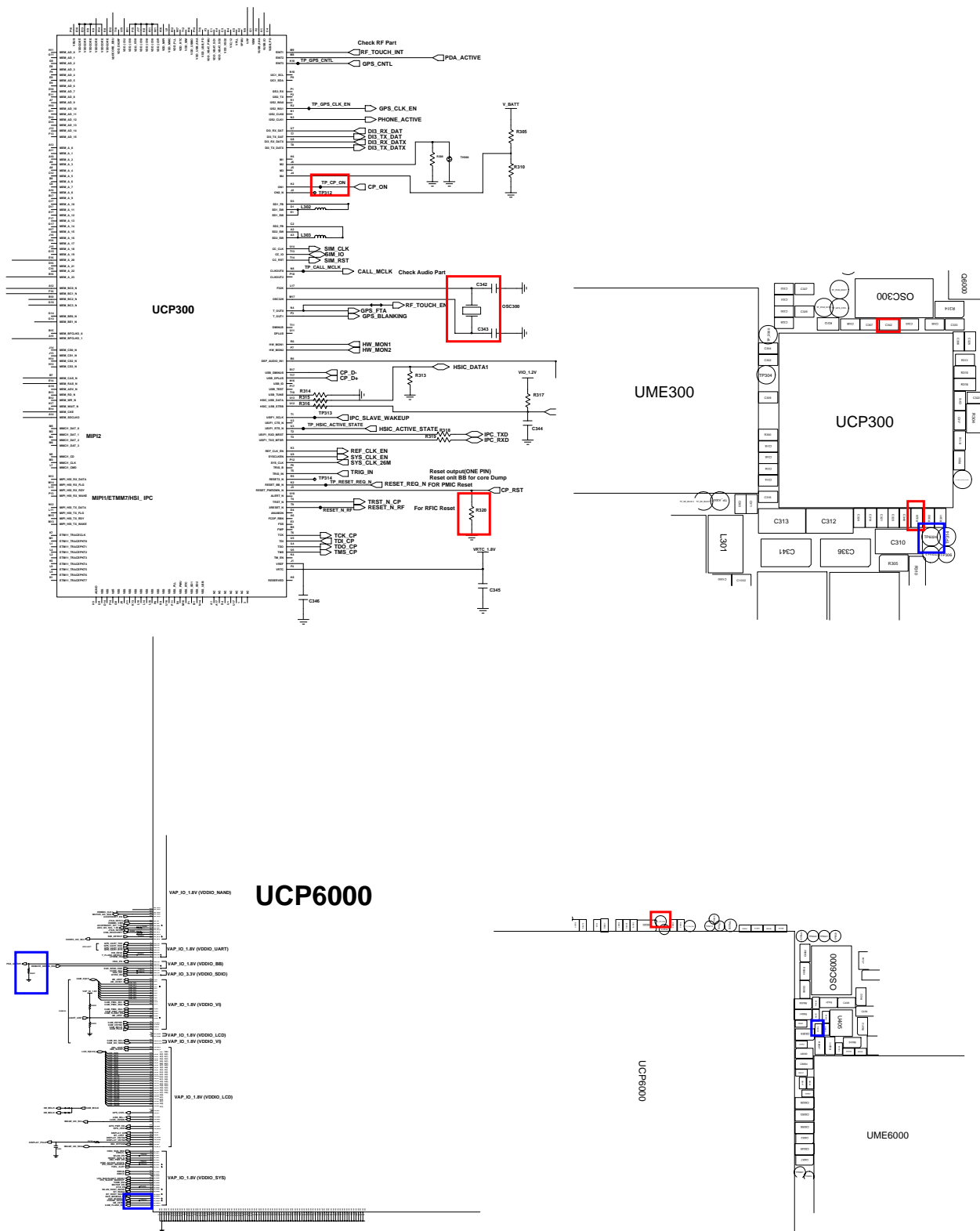
8-3-1. Power On

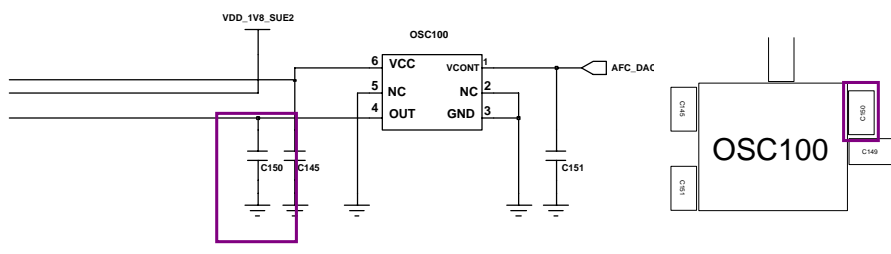
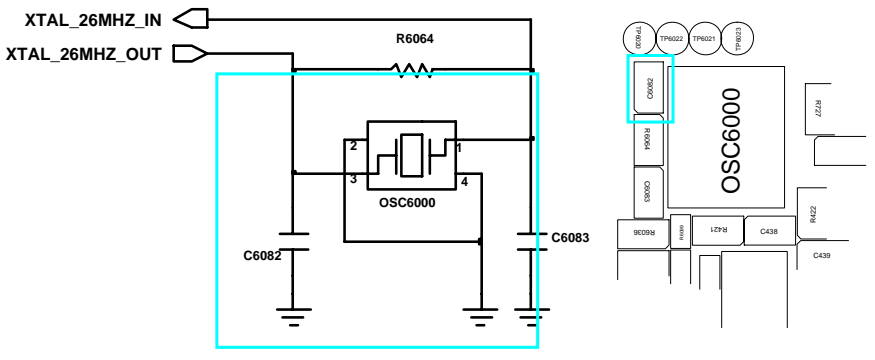
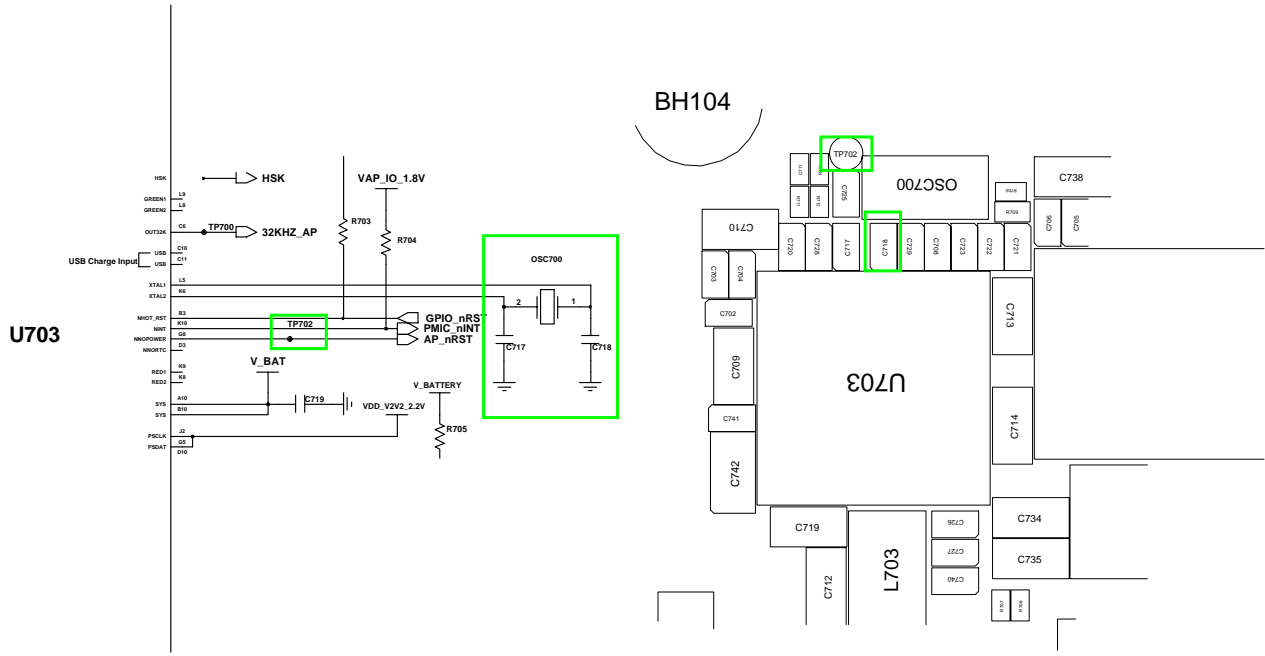




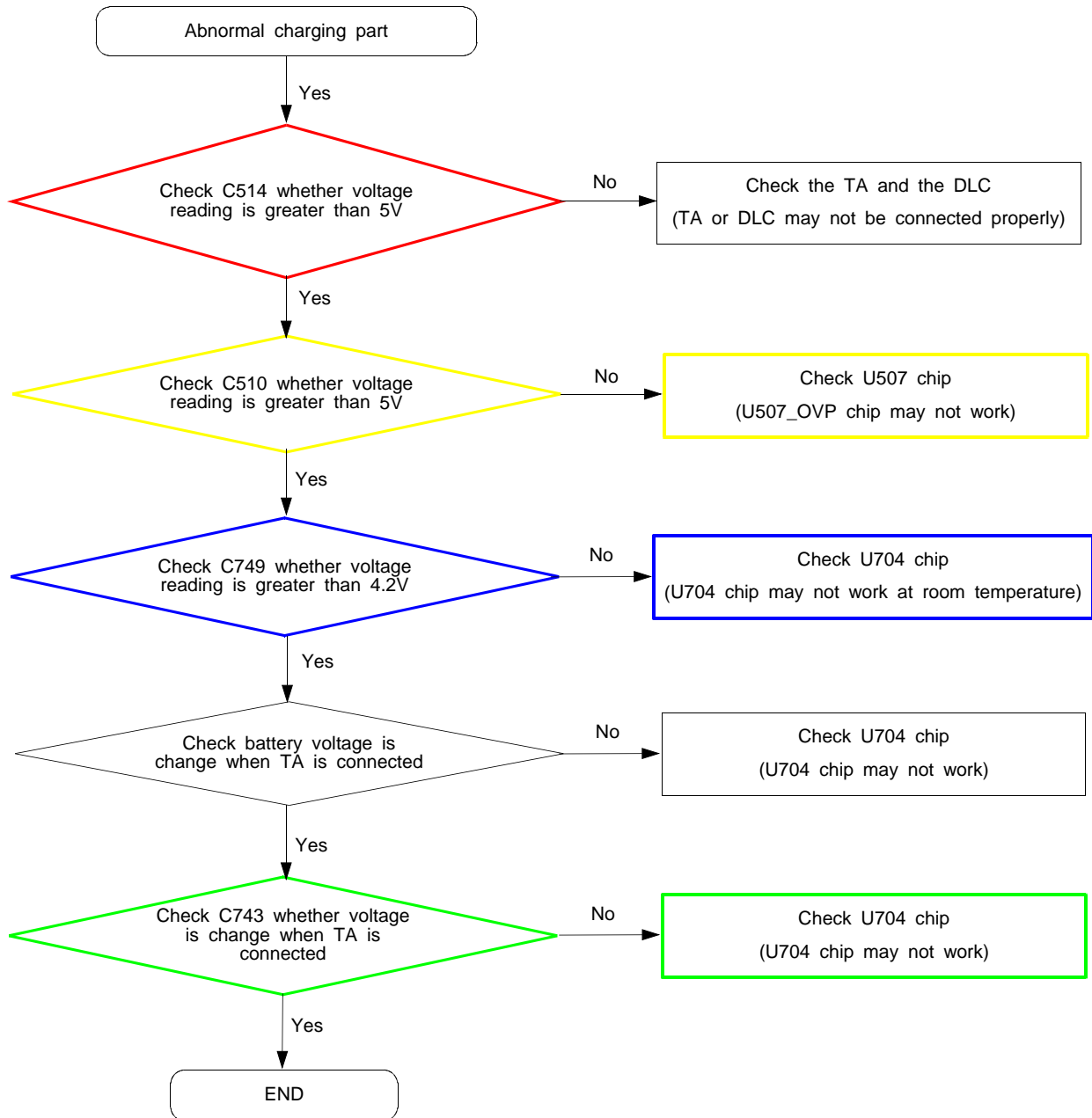
8-3-2. Initial

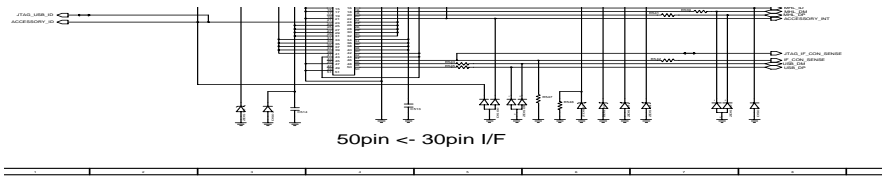




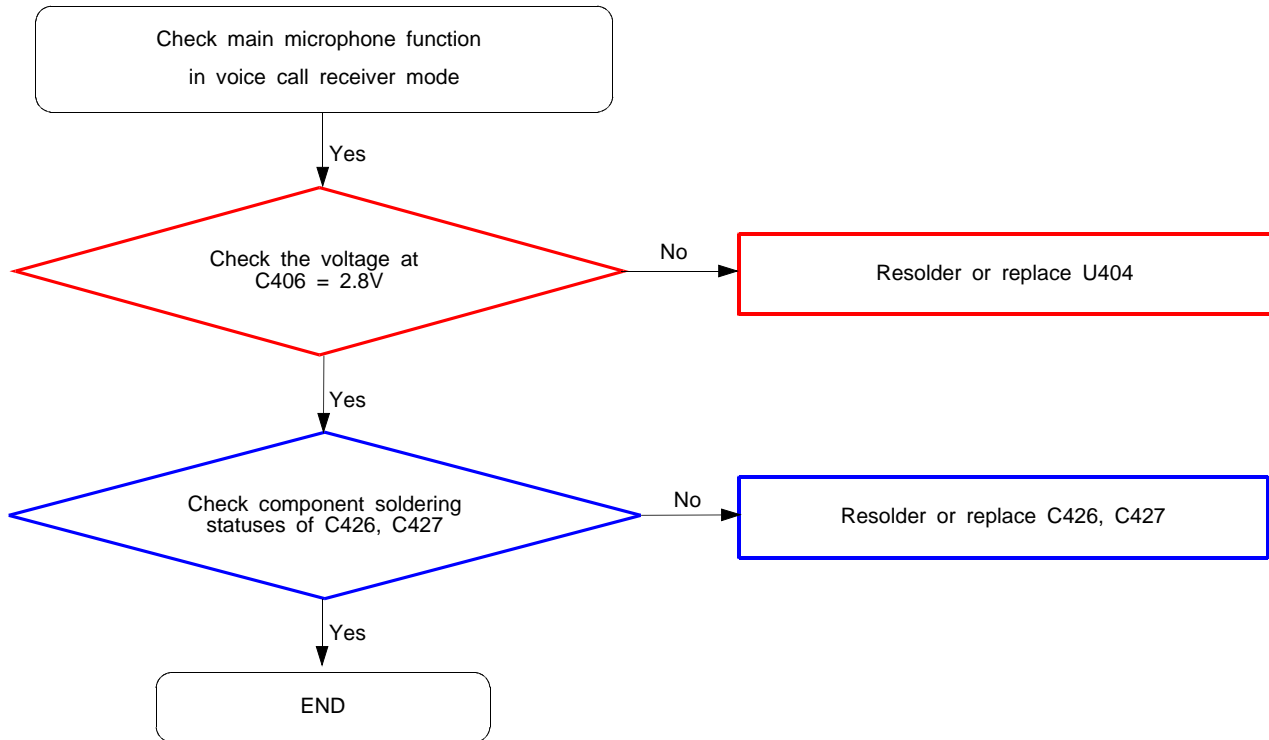


8-3-3. Charging Part

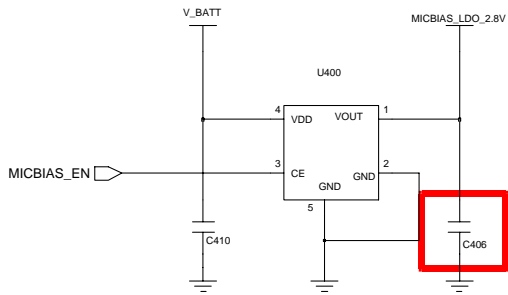
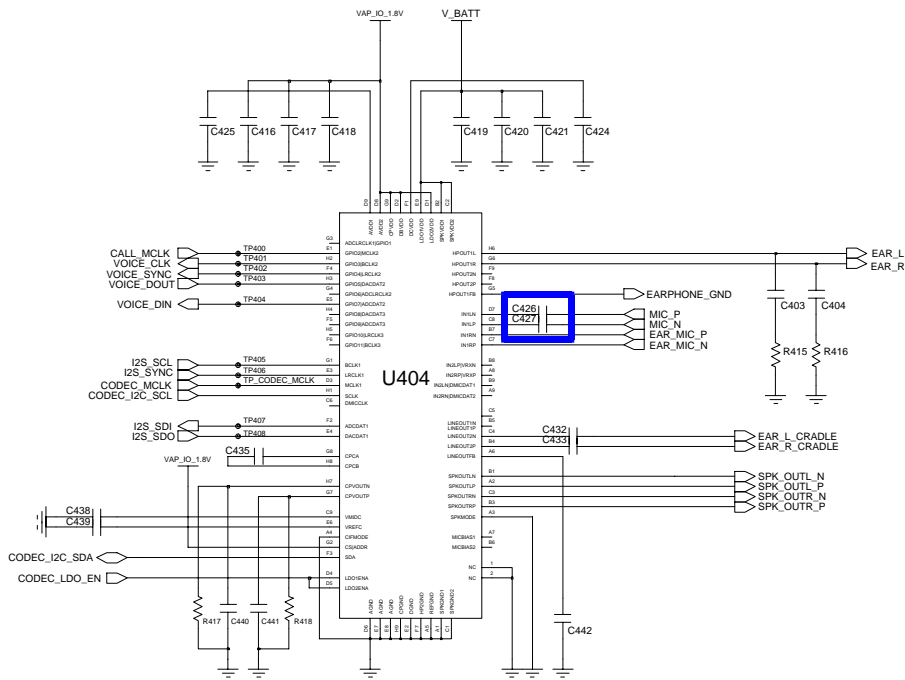




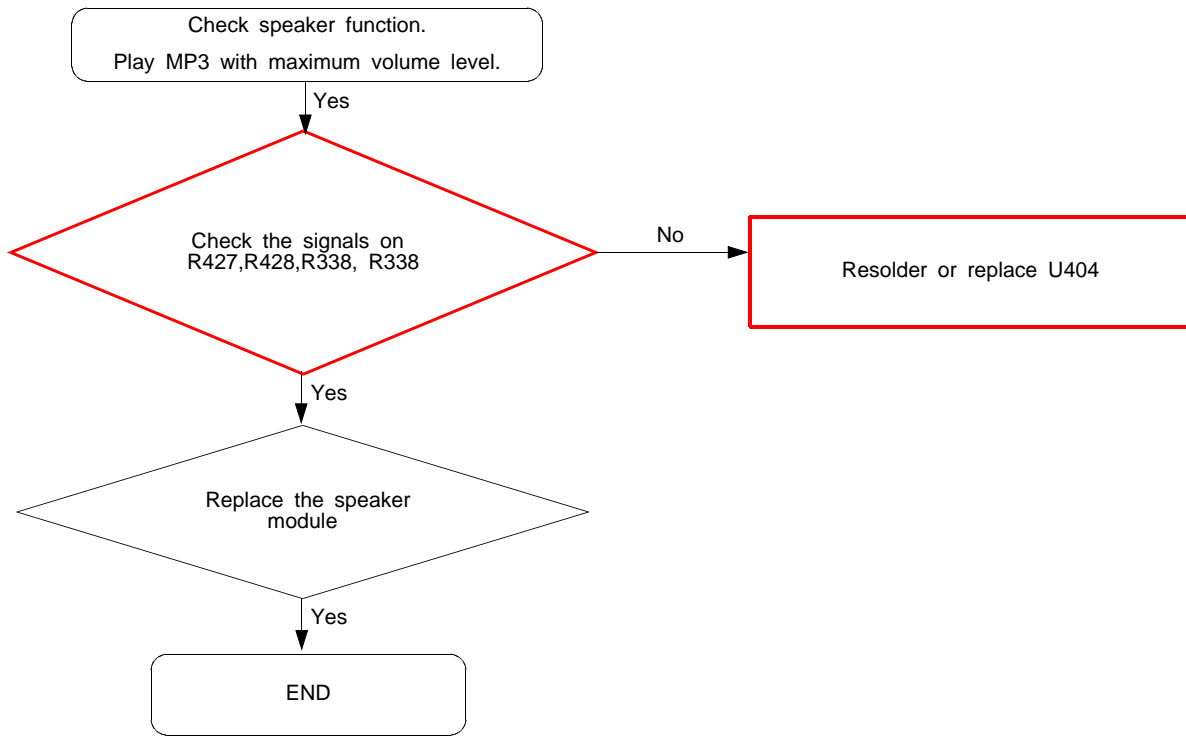
## 8-3-4. Microphone Part

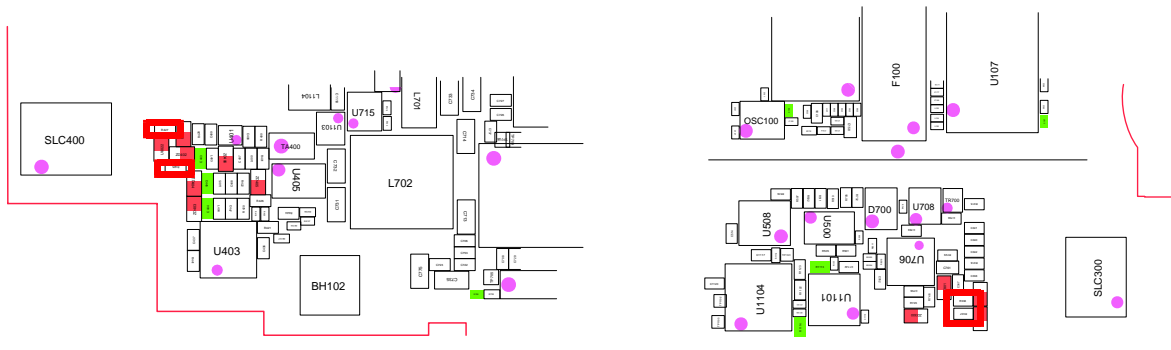
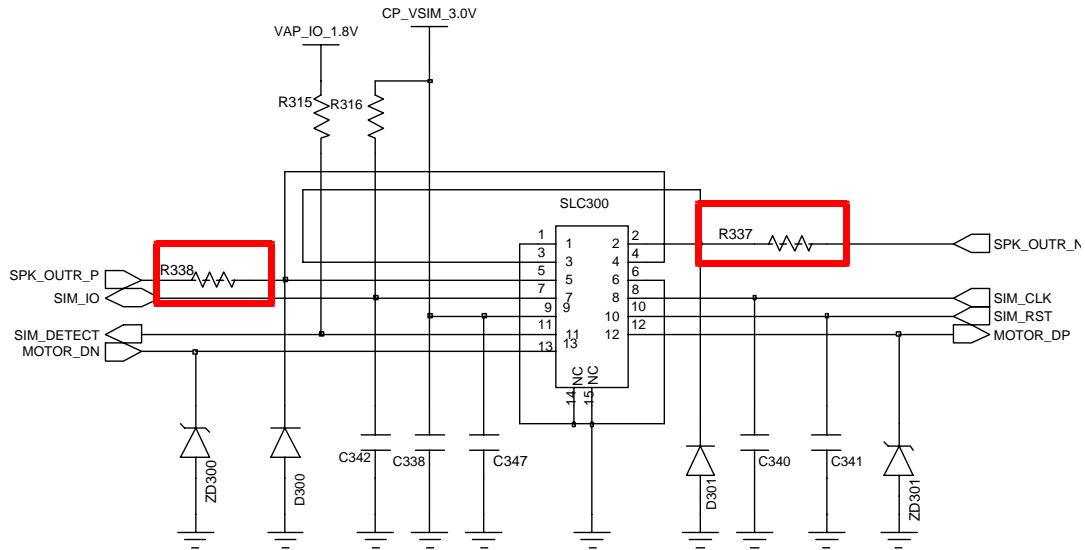
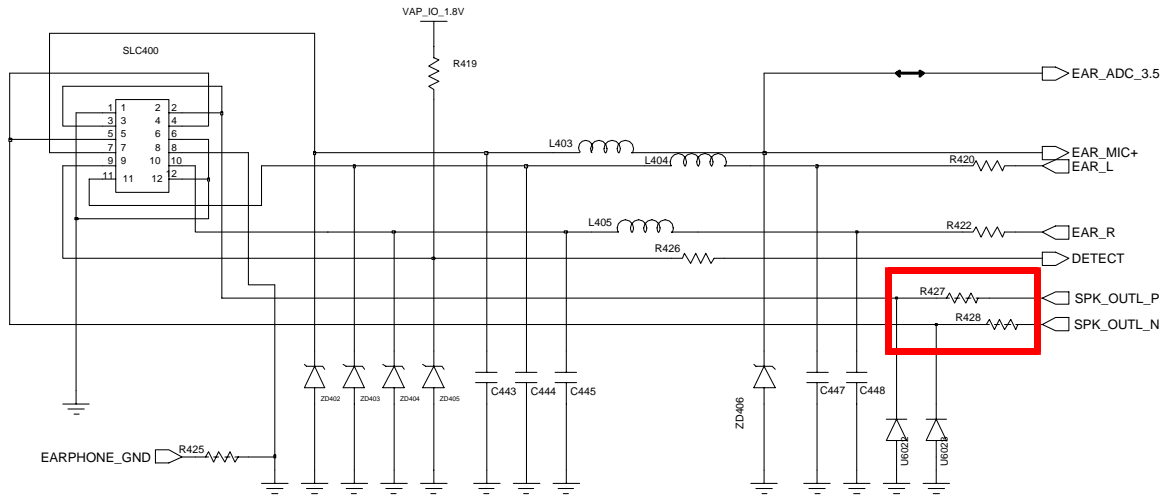




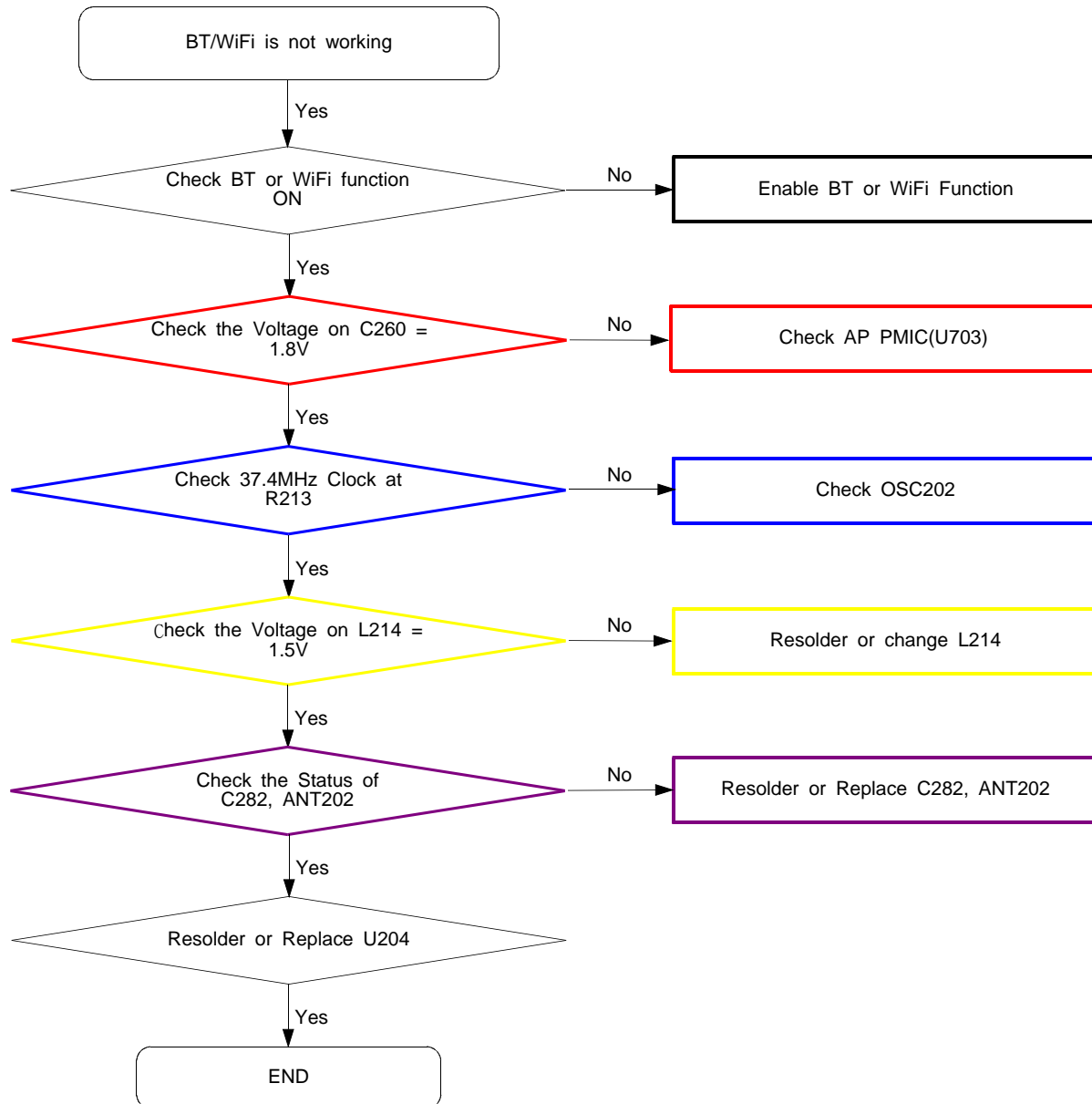


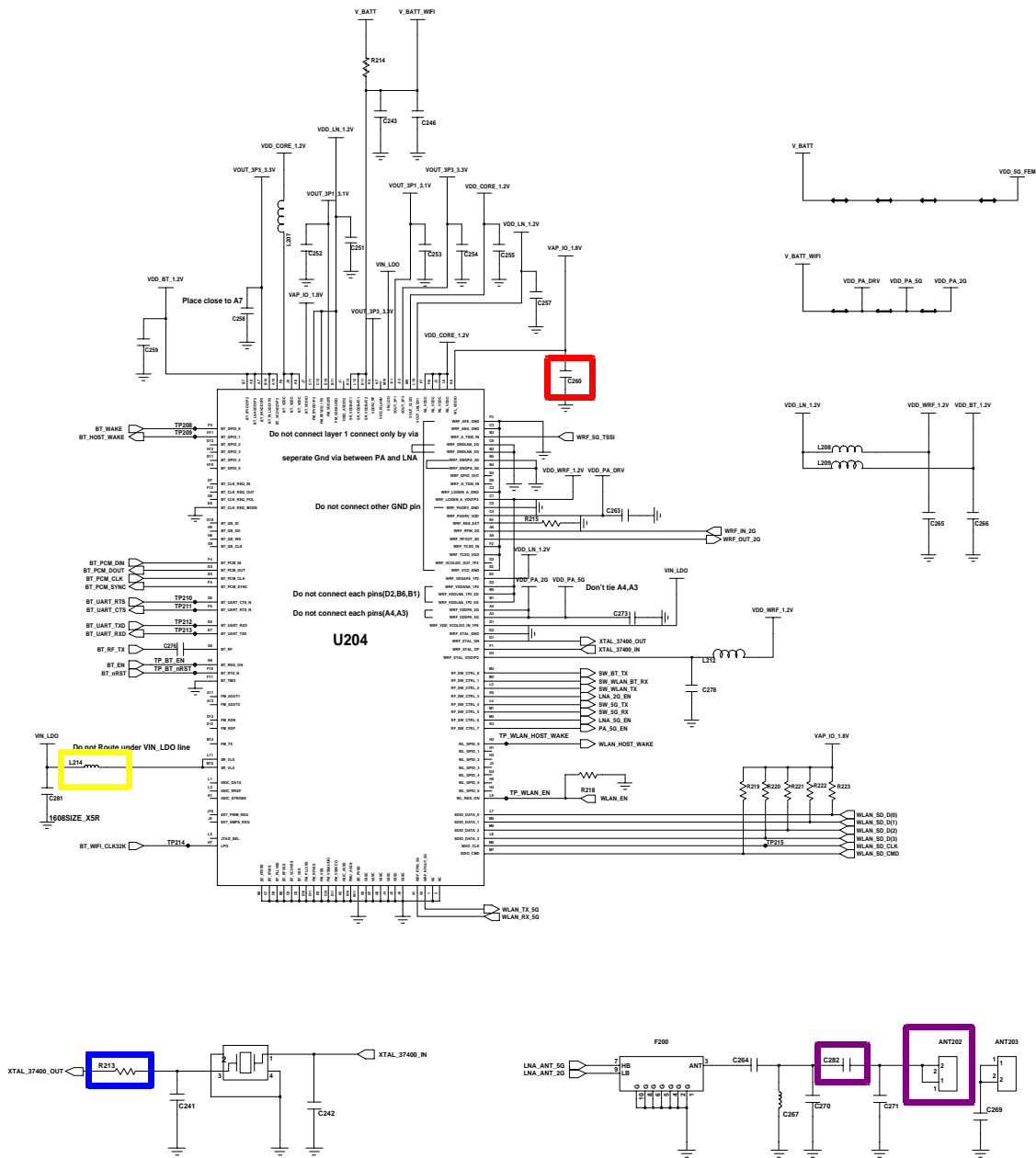
## 8-3-5. Speaker Part

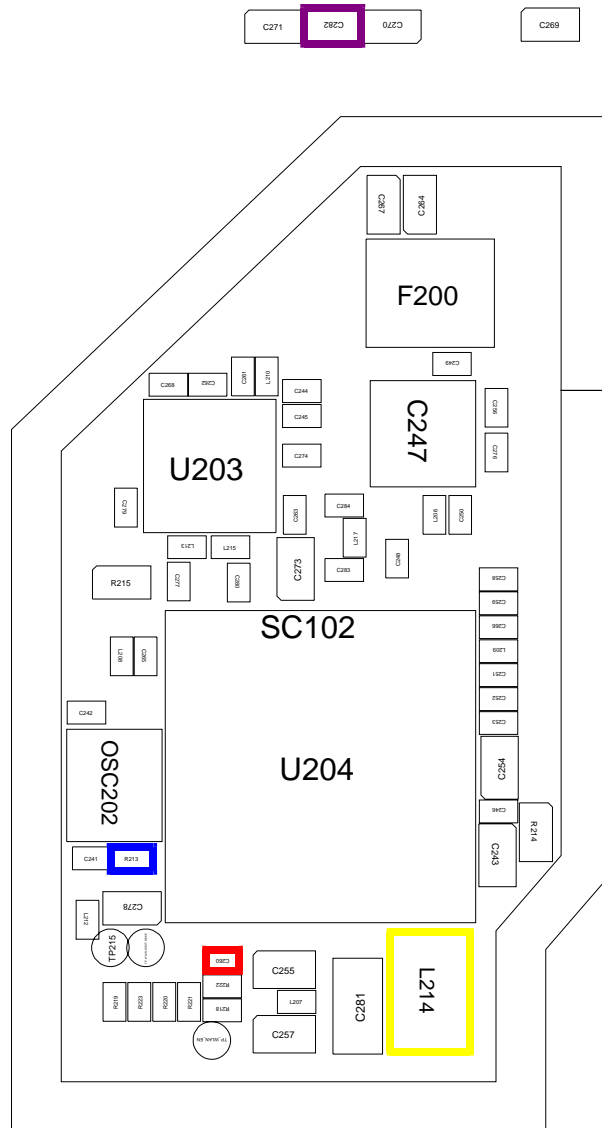




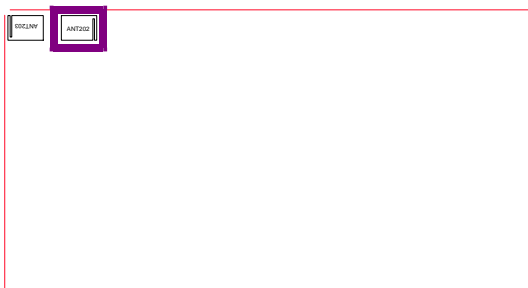
8-3-6. BT/WIFI





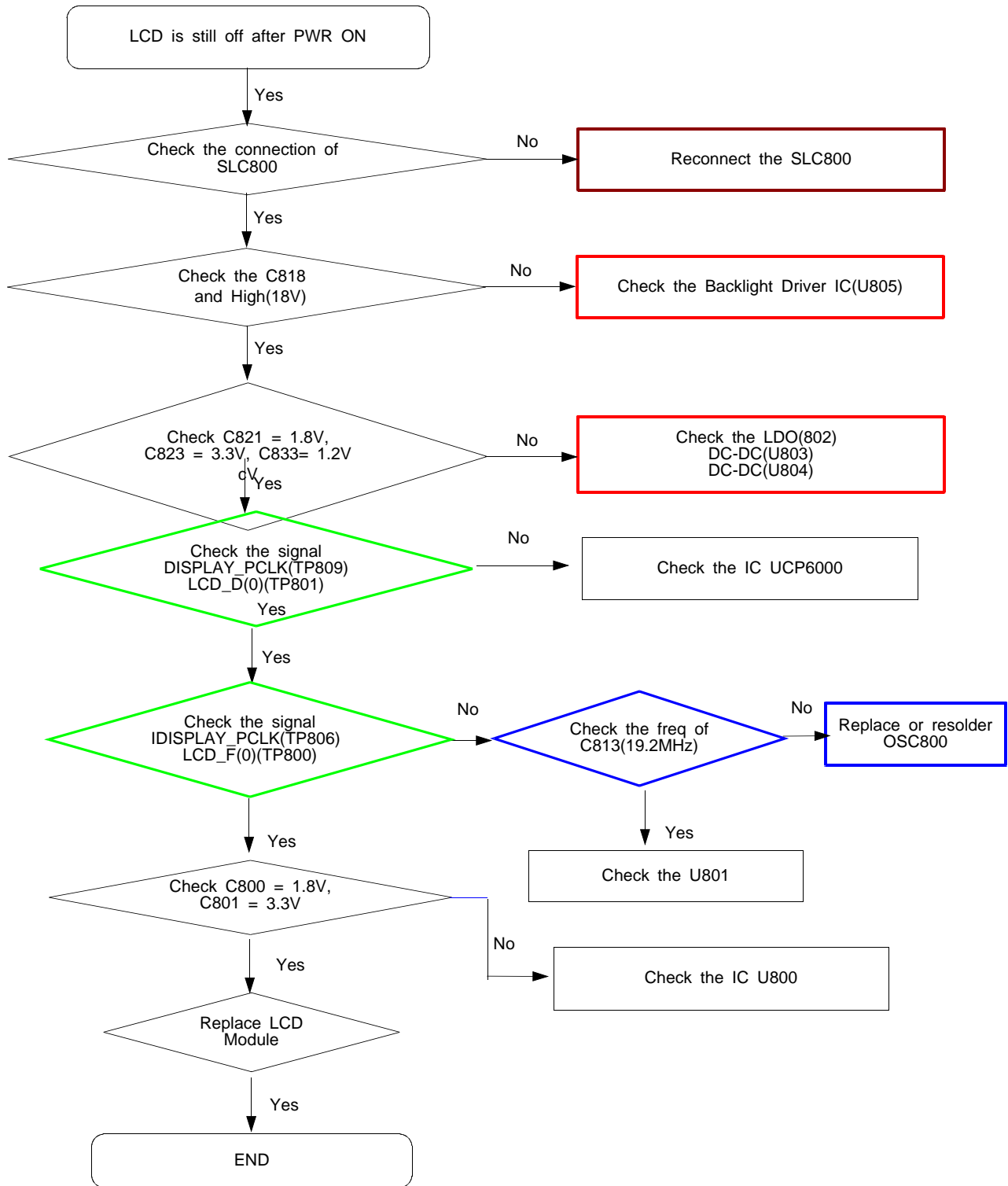


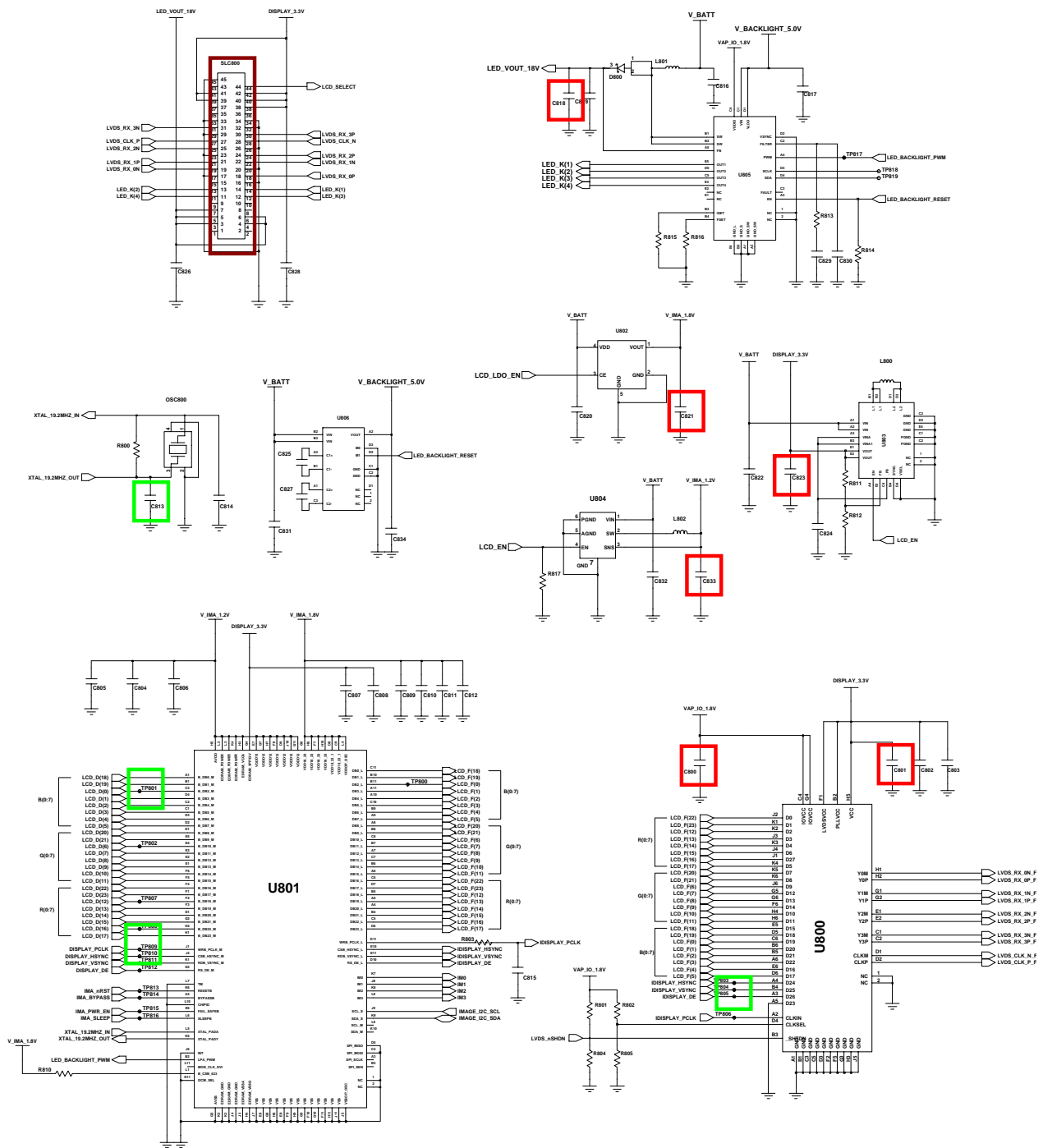
<Bot>



<TOP>

8-3-7. LCD

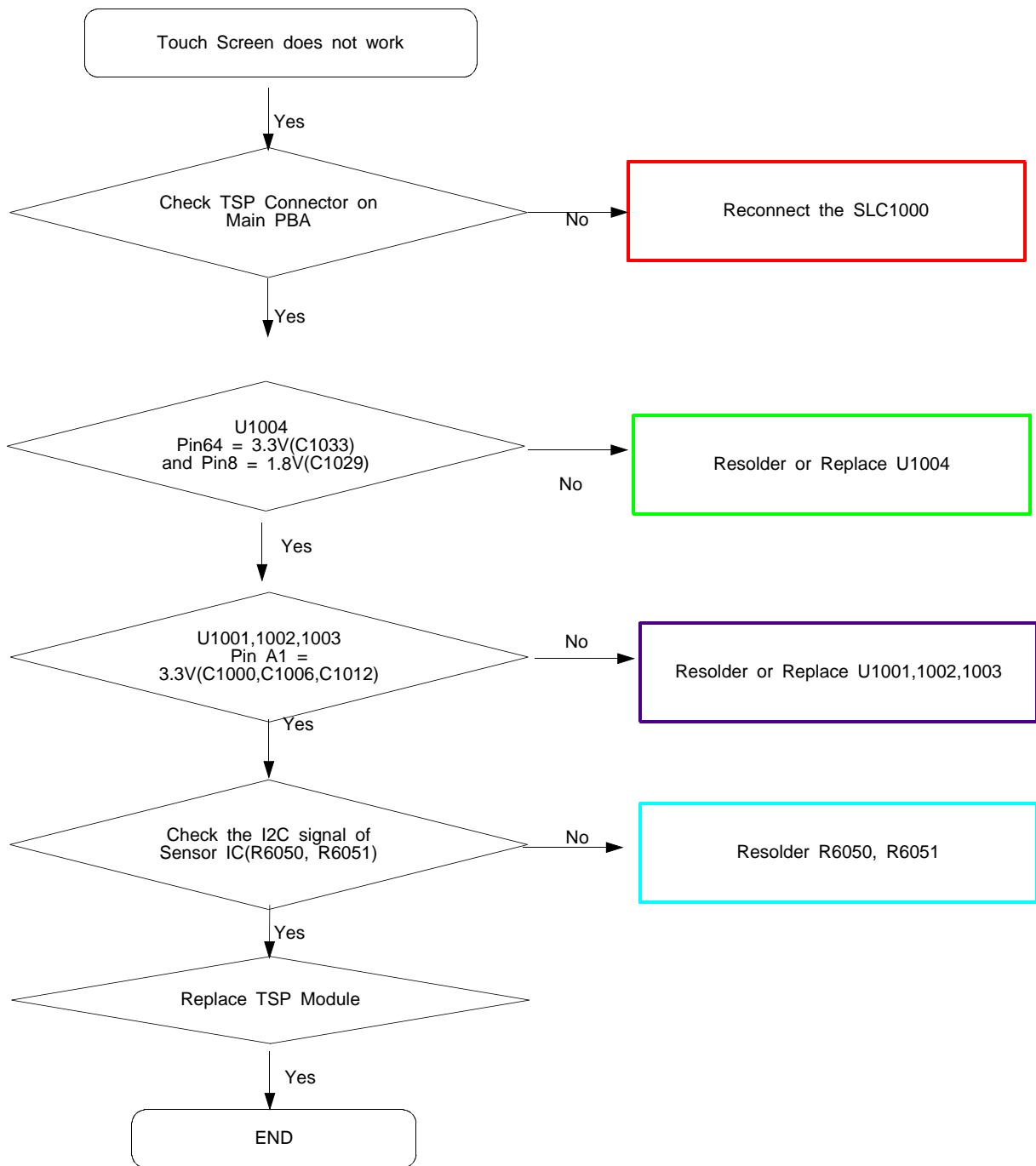


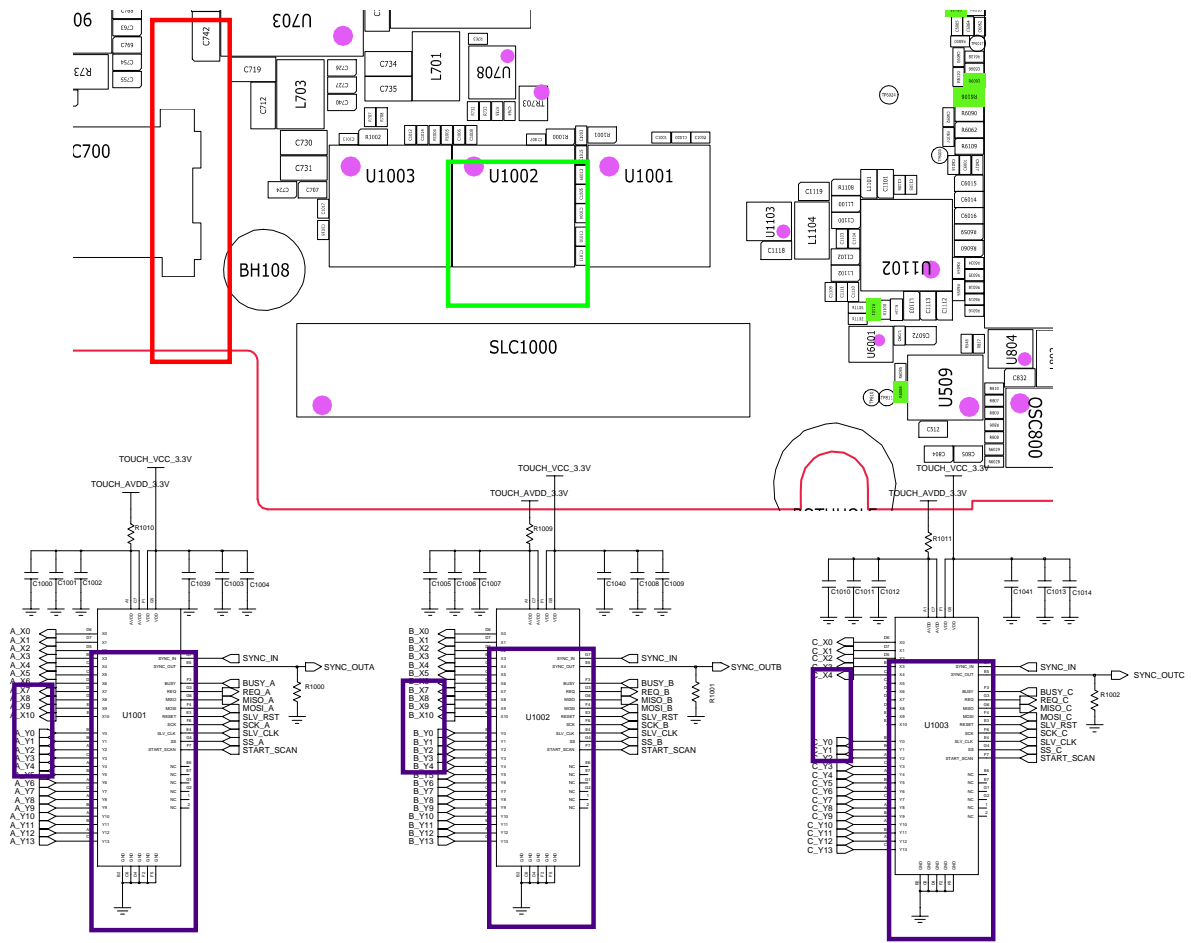




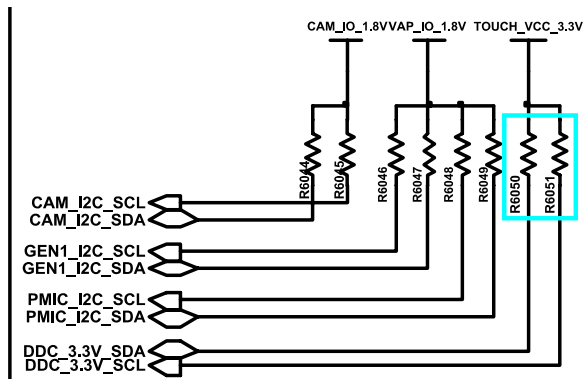


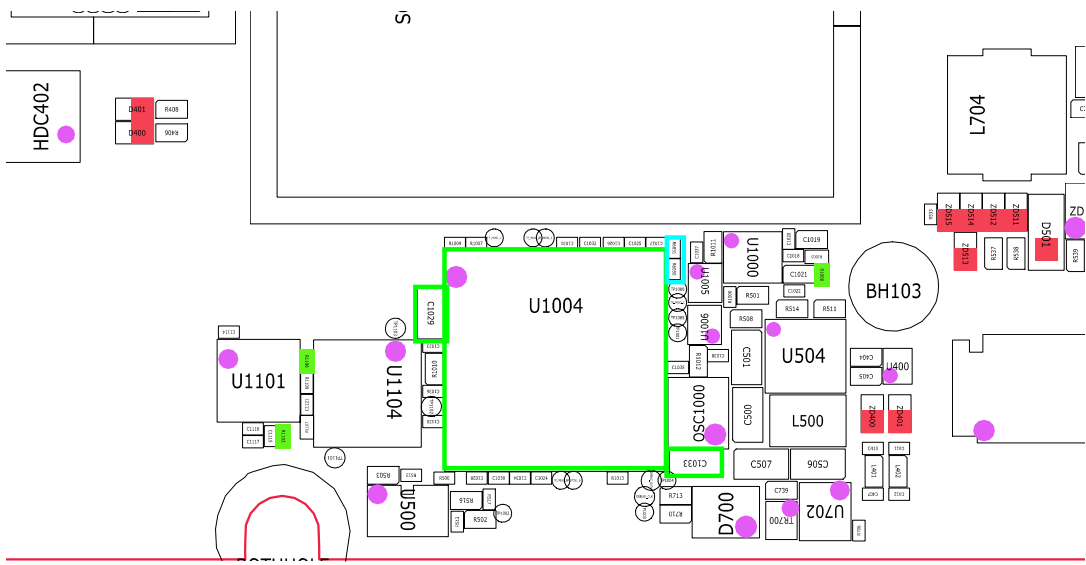
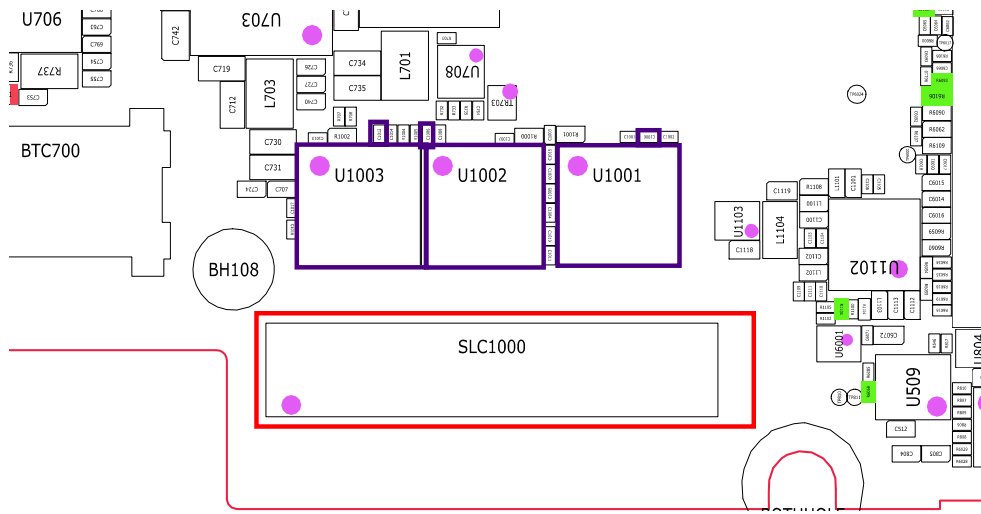
8-3-8. TSP



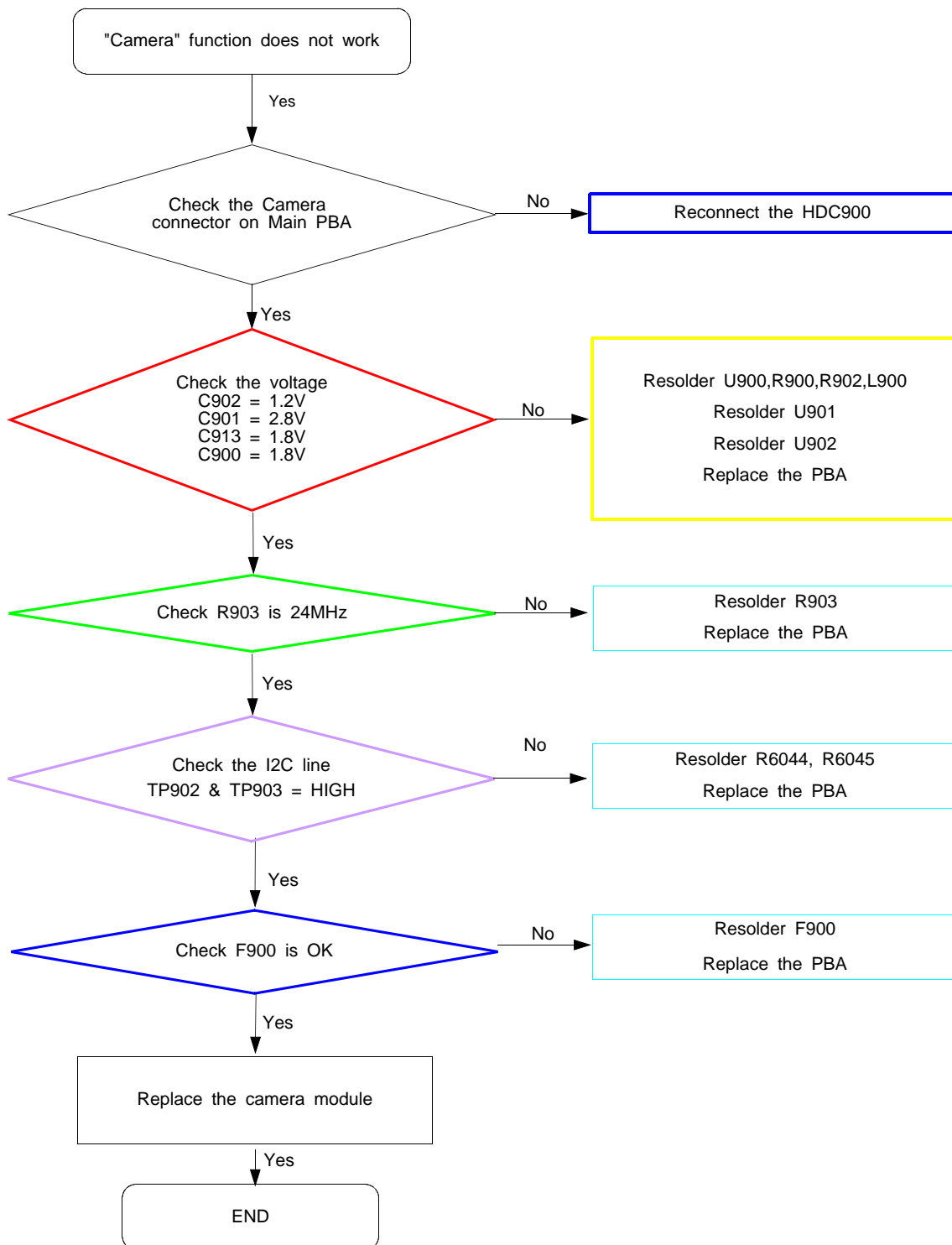


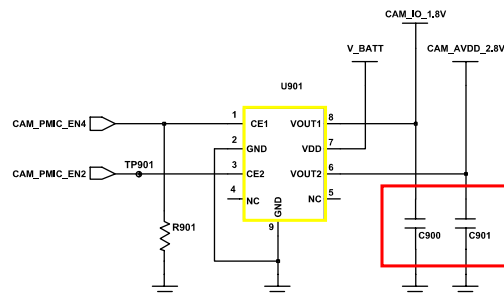
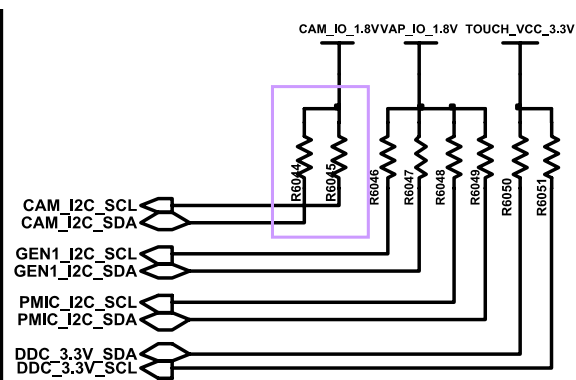
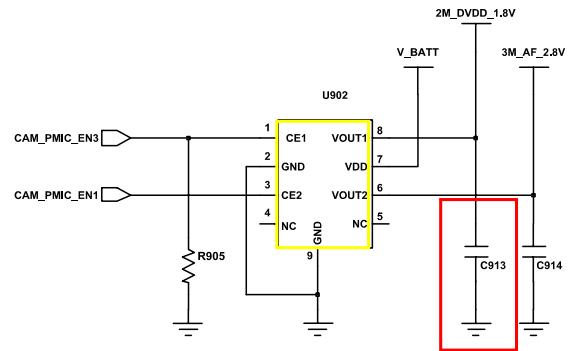
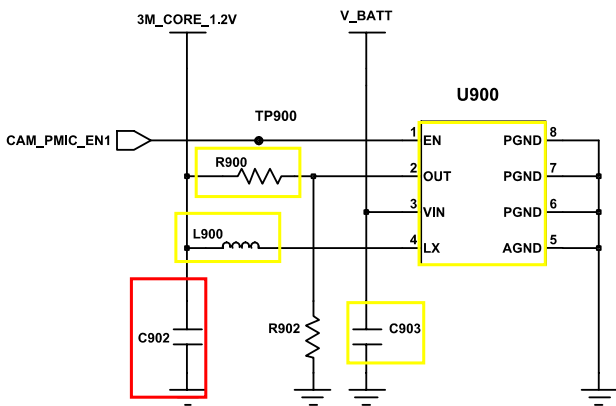
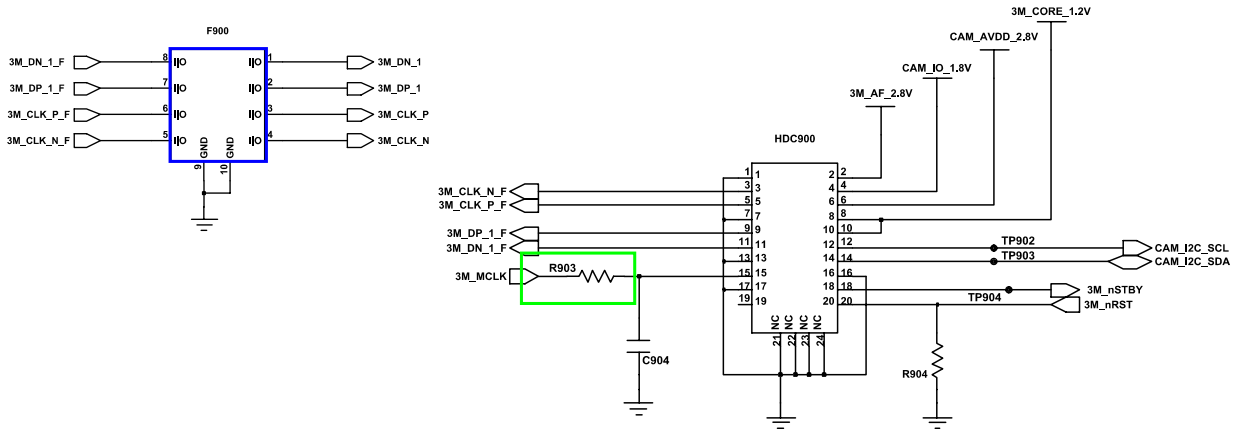
TOUCH SENSOR IC

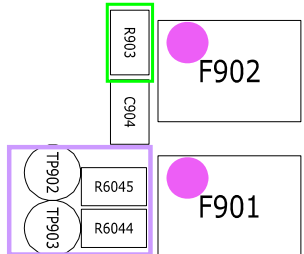
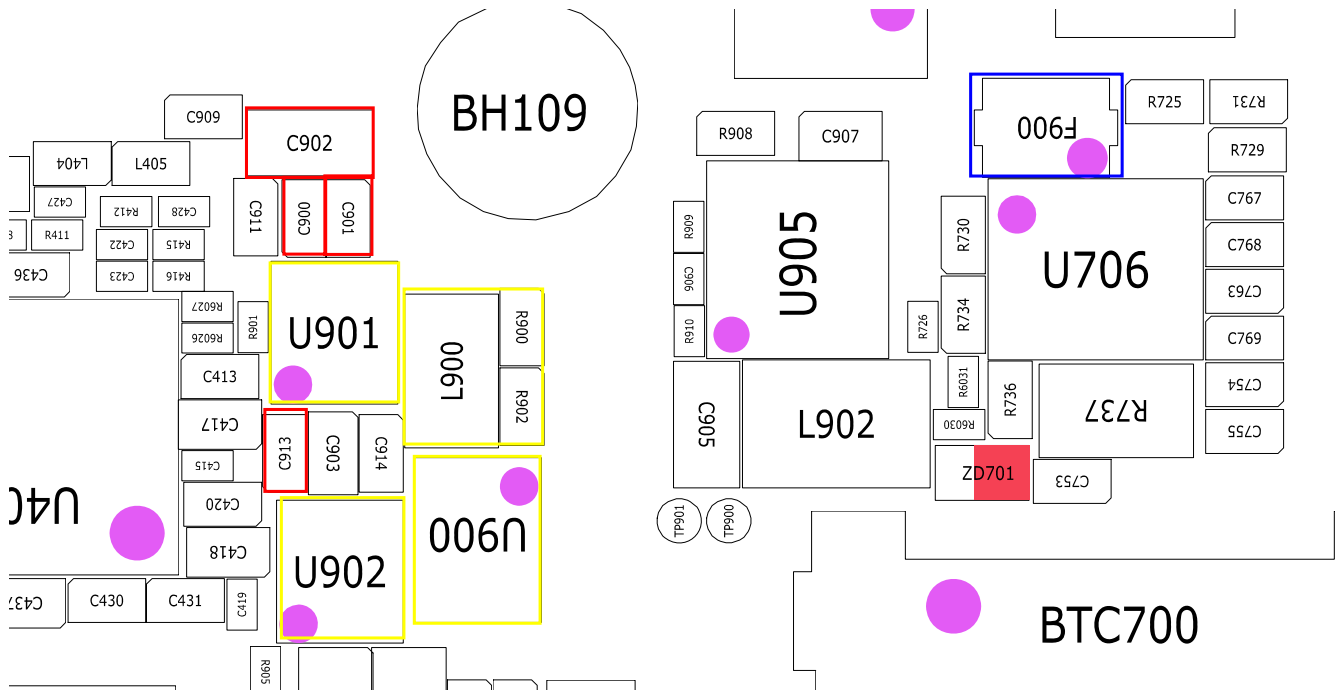




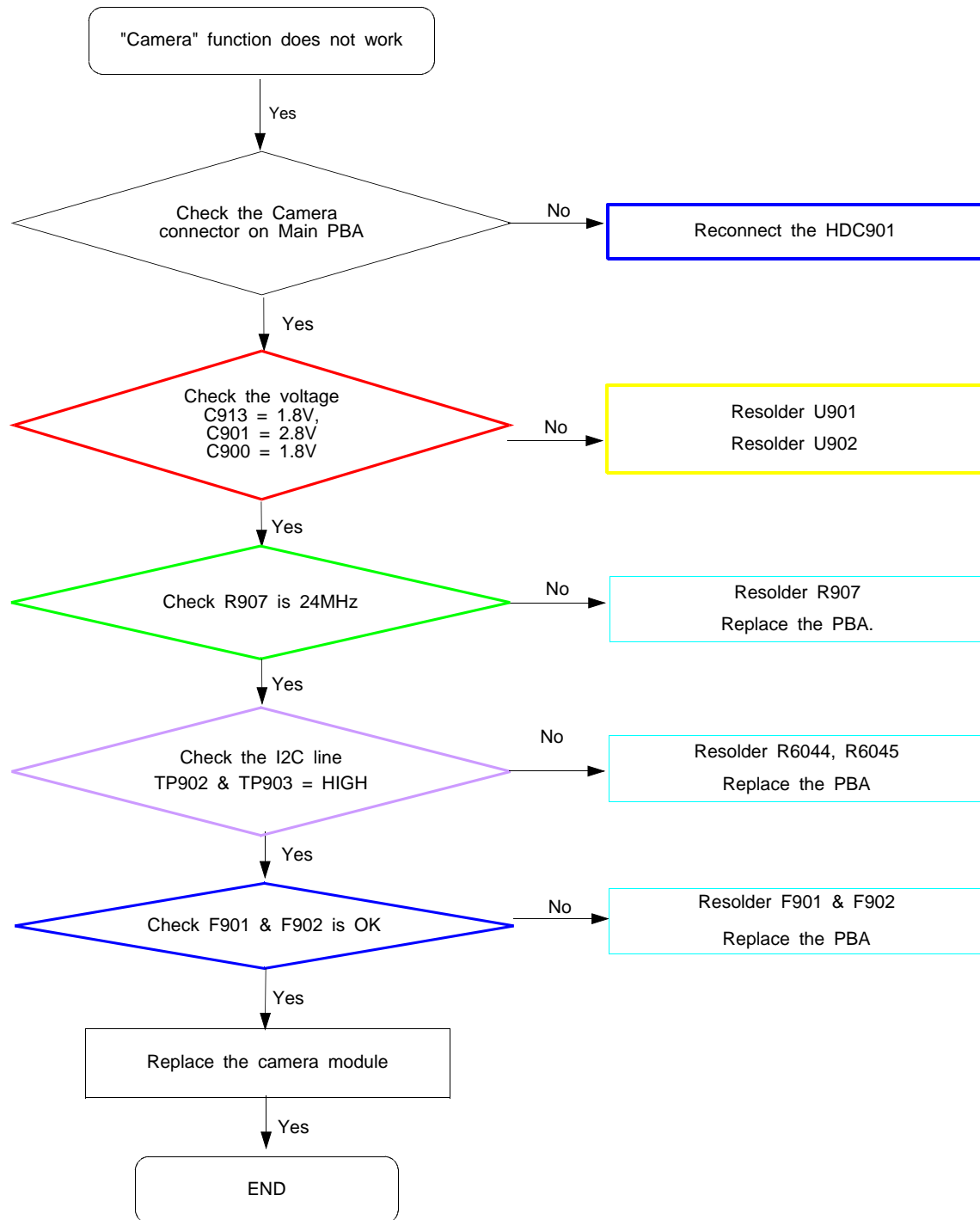
8-3-9. 3M CAM



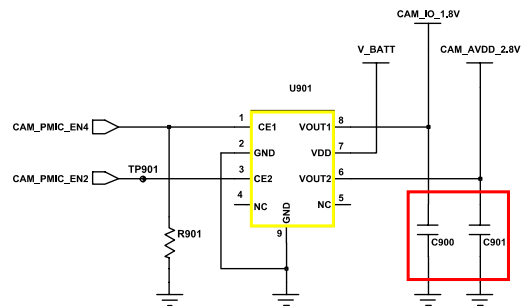
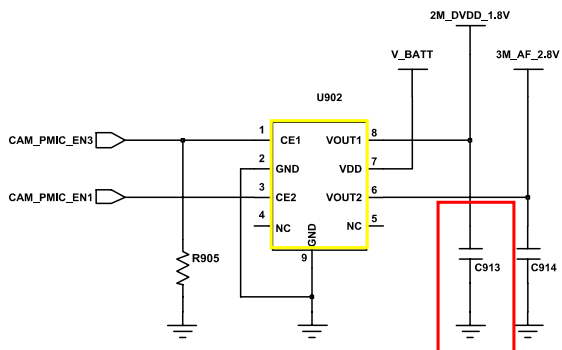
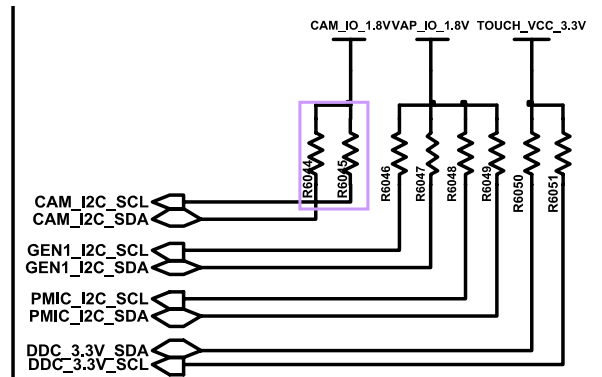
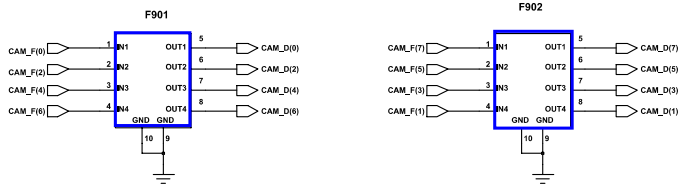
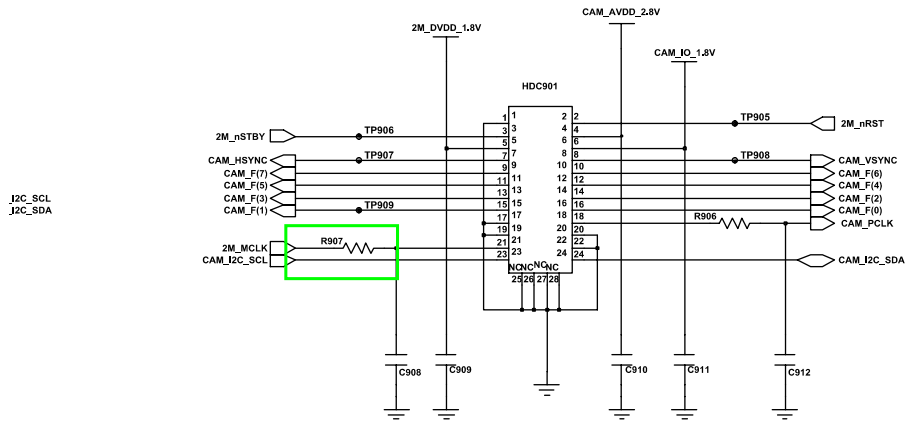


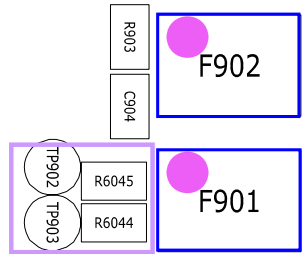
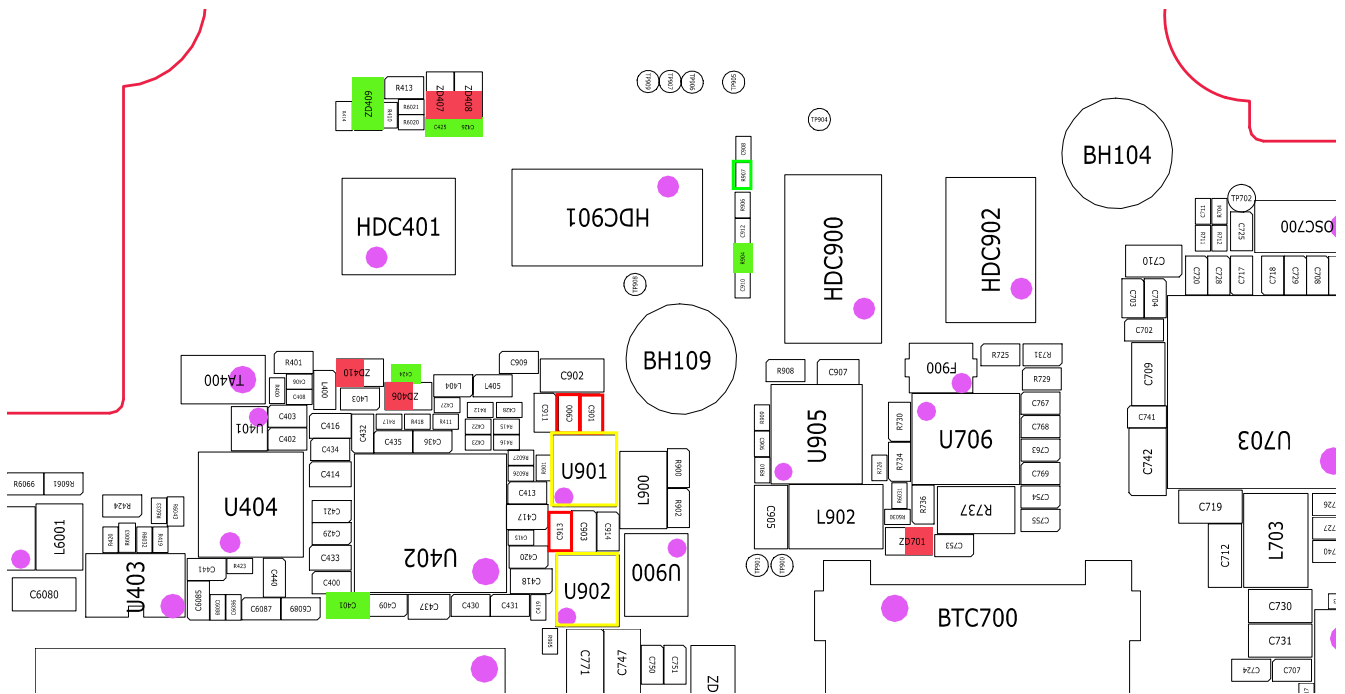


8-3-10. 2M CAM









## 5. MAIN Electrical Parts List

SEC CODE	Design LOC	Description
0403-001688	D501,D502,ZD700	DIODE-ZENER
0404-001669	D800	DIODE-SCHOTTKY
0406-001239	D500,ZD509,ZD510	DIODE-TVS
0406-001375	D400,D401,ZD402,ZD403,ZD404,ZD405,ZD501,ZD503, ZD511,ZD512,ZD513,ZD514,ZD515,ZD701	DIODE-TVS
0406-001413	ZD400,ZD401,ZD406,ZD407,ZD408,ZD410	DIODE-TVS
0407-001007	D700	DIODE-ARRAY
0504-001113	Q500,Q6000,TR700,TR703	TR-DIGITAL
0504-001151	U6000	TR-DIGITAL
0505-001325	Q701	FET-SILICON
0505-002353	U705	FET-SILICON
0505-002720	TR701,TR702	FET-SILICON
0505-002748	Q700	FET-SILICON
0801-003016	U1005,U1006	IC
0801-003079	U6006	IC
0902-002716	UCP6000	IC
0904-002596	U801	IC
1001-001481	U502,U503	IC
1001-001635	U508	IC
1003-002132	U501	IC
1003-002216	U405,U6003,U6004	IC
1003-002277	U707	IC
1105-002221	UME6000	IC
1107-001937	UME6001	IC
1201-003129	C247	IC
1201-003168	U200	IC
1202-001036	U403,U500	IC
1203-004330	U1000	IC
1203-004725	U702	IC
1203-004807	U802	IC
1203-004819	U400	IC
1203-005069	U509	IC
1203-005373	U507	IC
1203-005396	U401	IC
1203-005478	U1103,U804	IC
1203-005503	U905	IC
1203-005599	U806	IC

SEC CODE	Design LOC	Description
1203-006159	U6005,U900	IC
1203-006346	U708	IC
1203-006392	U706	IC
1203-006479	U901,U902	IC
1203-006768	U803	IC
1203-006781	U704	IC
1203-006782	U700	IC
1203-006786	U703	IC
1203-006794	U504	IC
1203-006920	U805	IC
1205-003611	U6001	IC
1205-003692	U404	IC
1205-003943	U402	IC
1205-003966	U201	IC
1205-004036	U800	IC
1205-004055	U1102	IC
1205-004072	U1001,U1002,U1003	IC
1205-004073	U1004	IC
1205-004204	U204	IC
1209-002038	U1104	IC
1209-002041	U1100	IC
1209-002046	U6007	IC
1209-002052	U1101	IC
2007-000138	R421,R422,R6037,R6038,R6039,R6040	R-CHIP
2007-000140	R537,R538	R-CHIP
2007-000148	R725	R-CHIP
2007-000152	R710	R-CHIP
2007-000162	R713,R714,R715,R717,R721	R-CHIP
2007-000163	R813	R-CHIP
2007-000167	R502	R-CHIP
2007-000170	R738,R800	R-CHIP
2007-000174	R539,R541	R-CHIP
2007-000758	R720,R722	R-CHIP
2007-001292	R1010,R519,R520	R-CHIP
2007-001306	R730,R731,R734	R-CHIP
2007-001329	R724	R-CHIP

Main Electrical Parts List

SEC CODE	Design LOC	Description
2007-003014	R503,R516	R-CHIP
2007-003015	R101,R117,R521	R-CHIP
2007-003029	R6061	R-CHIP
2007-003112	R1011,R1012	R-CHIP
2007-007092	R413,R542	R-CHIP
2007-007099	R6064	R-CHIP
2007-007132	R215	R-CHIP
2007-007137	R401	R-CHIP
2007-007142	R728	R-CHIP
2007-007310	R501	R-CHIP
2007-007318	R6062,R6090,R6109	R-CHIP
2007-007334	R6066,R700,R701	R-CHIP
2007-007488	R900,R902	R-CHIP
2007-007517	R6012,R6015	R-CHIP
2007-007573	R511	R-CHIP
2007-007586	R6060	R-CHIP
2007-007627	R815	R-CHIP
2007-007697	R718	R-CHIP
2007-007766	R508	R-CHIP
2007-007943	R424	R-CHIP
2007-007981	R727,R908	R-CHIP
2007-008045	R500,R530,R6130,R6132,R6136,R735	R-CHIP
2007-008052	R1100,R1102,R1105,R6003,R726,R810	R-CHIP
2007-008055	R1109,R515,R546,R548,R6006,R6071,R6085, R6086,R6087,R6097,R6098,R6100,R6101, R6118,R6119,R6120,R6121,R6122,R6127, R6129,R6133,R703,R704,R706,R707,R708 R711,R712,R716,R733,R814,R817,R901, R905,R909,R910	R-CHIP
2007-008057	R6107	R-CHIP
2007-008137	R6007,R6010,R6011,R6014	R-CHIP
2007-008211	R415,R416,R420,R506,R507,R906,R907	R-CHIP
2007-008275	R514	R-CHIP
2007-008298	R6036,R6041,R6059	R-CHIP
2007-008391	R723	R-CHIP
2007-008419	R6000,R6135	R-CHIP
2007-008420	R6084,R6088,R6089,R6091,R6092,R6094, R6095,R6096,R6102,R6103	R-CHIP
2007-008483	R509,R510,R806,R807,R808,R809	R-CHIP

SEC CODE	Design LOC	Description
2007-008516	R1004,R1005,R1006,R1007,R1009,R1013, R417,R418,R531,R533,R534,R6067,R6075 R6108,R6110,R6123,R6124,R6125,R6131, R802,R804	R-CHIP
2007-008531	R6042	R-CHIP
2007-008564	R1000,R1001,R1002	R-CHIP
2007-008564	R529	R-CHIP
2007-008579	R213	R-CHIP
2007-008588	R423,R6004,R6016,R6017,R6018,R6019, R6020,R6021,R6022,R6023,R6024,R6025 R6026,R6027,R6028,R6029,R6030,R6031, R6032,R6033,R6034,R6035,R6044,R6045 R6046,R6047,R6048,R6049,R6050,R6051	R-CHIP
2007-008633	R737	R-CHIP
2007-008721	R811	R-CHIP
2007-008774	C191,C192,R411,R412,R535,R540,R543, R545,R732,R903	R-CHIP
2007-008806	R504,R505	R-CHIP
2007-008812	R812	R-CHIP
2007-009084	R410,R419,R512,R547	R-CHIP
2007-009168	R816	R-CHIP
2007-009170	R6001	R-CHIP
2007-009171	R6076,R6077,R6078,R6079,R6080,R6081, R6082,R6083	R-CHIP
2007-009212	R400,R719	R-CHIP
2007-009314	R6005	R-CHIP
2007-009315	R6134	R-CHIP
2007-009361	R513,R517	R-CHIP
2007-010202	R219,R220,R221,R222,R223	R-CHIP
2203-000233	C214,C215,C269	C-CERAMIC,CHIP
2203-000254	C236,C757,C758,C767	C-CERAMIC,CHIP
2203-000278	C264,C282,C813	C-CERAMIC,CHIP
2203-000330	C814	C-CERAMIC,CHIP
2203-000438	C6011	C-CERAMIC,CHIP
2203-000585	C278	C-CERAMIC,CHIP
2203-000627	C234,C700	C-CERAMIC,CHIP
2203-000725	C762	C-CERAMIC,CHIP
2203-000854	C819	C-CERAMIC,CHIP
2203-000995	C6012,C751,C754,C755	C-CERAMIC,CHIP

Main Electrical Parts List

SEC CODE	Design LOC	Description
2203-001017	C6082,C6083	C-CERAMIC,CHIP
2203-002687	C744,C748,C750,C753,C761	C-CERAMIC,CHIP
2203-003054	C6095	C-CERAMIC,CHIP
2203-005383	C718	C-CERAMIC,CHIP
2203-005393	C717	C-CERAMIC,CHIP
2203-005483	C739	C-CERAMIC,CHIP
2203-005682	C1035,C912	C-CERAMIC,CHIP
2203-005726	C904	C-CERAMIC,CHIP
2203-005727	C279,C908	C-CERAMIC,CHIP
2203-005729	C241,C242,C406,C410,C411	C-CERAMIC,CHIP
2203-005731	C427,C428	C-CERAMIC,CHIP
2203-005732	C407,C408,C412	C-CERAMIC,CHIP
2203-006048	C212,C213,C438,C439,C6032,C6075,C6076,C6077,C6078,C6094,C707,C768,C770	C-CERAMIC,CHIP
2203-006194	C6008,C6079,C800	C-CERAMIC,CHIP
2203-006201	C902	C-CERAMIC,CHIP
2203-006208	C1029,C1033	C-CERAMIC,CHIP
2203-006305	C244,C245,C248,C249,C256,C258,C259,C262,C268,C276	C-CERAMIC,CHIP
2203-006318	L217	C-CERAMIC,CHIP
2203-006399	C1112,C1113,C400,C403,C405,C409,C413,C421,C429,C430,C431,C440,C441,C6014,C6015,C6016,C725,C740,C741,C802,C803	C-CERAMIC,CHIP
2203-006400	C6096	C-CERAMIC,CHIP
2203-006423	C1001,C1002,C1003,C1004,C1007,C1008,C1009,C1010,C1013,C1014,C1015,C1016,C1023,C1024,C1025,C1026,C1027,C1028,C1030,C1031,C1032,C1034,C1037,C1038,C1103,C1104,C1105,C1106,C1108,C1109,C1110,C1111,C1114,C1116,C1121,C250,C265,C266,C415,C422,C423,C502,C503,C6086,C6088,C6092,C6093,C6097,C711,C764,C830	C-CERAMIC,CHIP
2203-006556	C1036,C280,C6007,C6074	C-CERAMIC,CHIP
2203-006562	C402,C404,C420,C511,C6052,C716,C724,C756,C769,C801,C828,C831,C834	C-CERAMIC,CHIP
2203-006668	C1120	C-CERAMIC,CHIP
2203-006681	C752,C824	C-CERAMIC,CHIP
2203-006707	C261,C277	C-CERAMIC,CHIP
2203-006824	C281,C710,C738	C-CERAMIC,CHIP
2203-006839	C246,C251,C260,C274,C419,C6000,C6001,C6005,C6006,C6013,C6017,C6018,C6019,C6021,C6029,C6030,C6031,C6033,C6034,C6035,C6036,C6037,C6038,C6039,C6040,C6041,C6042,C6043,C6044,C6045,C6046,C6047,C6048,C6054,C6060,C6061,C6062,C6063,C6064,C6065,C6066,C6067,C6068,C6071	C-CERAMIC,CHIP

SEC CODE	Design LOC	Description
2203-006841	C434,C510,C763	C-CERAMIC,CHIP
2203-006844	C825,C827	C-CERAMIC,CHIP
2203-006872	C1019,C1021,C1107,C209,C218,C220,C222,C432,C435,C436,C6057,C6085,C6087,C6089,C708,C720,C721,C723,C727,C728,C766,C821,C909,C911	C-CERAMIC,CHIP
2203-006890	C701,C730,C731,C732,C733,C734,C735	C-CERAMIC,CHIP
2203-007133	C514,C760	C-CERAMIC,CHIP
2203-007210	C252,C906	C-CERAMIC,CHIP
2203-007240	C742	C-CERAMIC,CHIP
2203-007270	C6080,C709,C712,C713,C714,C715,C719,C743,C745,C746,C749,C816,C822,C823,C905	C-CERAMIC,CHIP
2203-007271	C1100,C1101,C1102,C221,C233,C512,C6003,C6004,C702,C703,C704,C705,C706,C722,C726,C729,C759,C804,C805,C810,C811,C820,C900,C901,C913,C914	C-CERAMIC,CHIP
2203-007317	C1119,C254,C255,C257,C414,C433,C437,C6002,C6020,C6022,C6023,C6024,C6025,C6026,C6027,C6028,C6053,C6058,C6059,C6072,C812,C833	C-CERAMIC,CHIP
2203-007342	C765	C-CERAMIC,CHIP
2203-007385	C6009,C6010	C-CERAMIC,CHIP
2203-007393	C1118,C243,C273,C416,C417,C418,C6049,C6050,C6051,C6055,C6056,C6081,C832,C903,C907	C-CERAMIC,CHIP
2203-007449	C1000,C1005,C1006,C1011,C1012,C1017,C1018,C1020,C1022,C1115,C1117,C253,C263,C504,C505,C806,C807,C808,C809,C817,C829,C910	C-CERAMIC,CHIP
2203-007634	C509,C513	C-CERAMIC,CHIP
2203-007781	C500,C501,C506,C507,C747,C771	C-CERAMIC,CHIP
2203-007790	C818,C826	C-CERAMIC,CHIP
2404-001596	TA400	C-TA,CHIP
2409-001232	TA700	C-POLYMER,CHIP
2703-002268	L216	INDUCTOR-SMD
2703-003347	L902	INDUCTOR-SMD
2703-003479	R406,R407,R408,R409	INDUCTOR-SMD
2703-003533	L6001	INDUCTOR-SMD
2703-003545	L214	INDUCTOR-SMD
2703-003686	L1104,L802,L900	INDUCTOR-SMD
2703-003911	L500	INDUCTOR-SMD
2703-003913	L701,L703,L800	INDUCTOR-SMD
2703-003939	L801	INDUCTOR-SMD
2703-004009	L702	INDUCTOR-SMD
2703-004011	L700	INDUCTOR-SMD
2703-004017	L704	INDUCTOR-SMD



Main Electrical Parts List

SEC CODE	Design LOC	Description
2703-004035	L206	INDUCTOR-SMD
2703-004037	C283	INDUCTOR-SMD
2801-004466	OSC700	CRYSTAL-SMD
2801-004836	OSC800	CRYSTAL-SMD
2801-004893	OSC6000	CRYSTAL-SMD
2801-005044	OSC202	CRYSTAL-SMD
2804-001929	OSC1000	OSCILLATOR-CLOCK
2809-001348	OSC201	OSCILLATOR-VCTCXO
2901-001525	F901,F902	OSCILLATOR-VCTCXO
2901-001625	F800	FILTER-EMI SMD
2901-001647	F801,F802,F900	FILTER-EMI SMD
2910-000108	F200	DUPLEXER-SAW
2911-000165	U203	DUPLEXER-SAW
3301-001534	L1100,L1101,L1102,L1103	BEAD-SMD
3301-001659	L201	BEAD-SMD
3301-001787	L6000	BEAD-SMD
3301-001895	L207,L208,L209,L212	BEAD-SMD
3301-002065	L200,L400,L401,L402,L403	BEAD-SMD
3301-002078	L404,L405	BEAD-SMD
3705-001448	CN200	CONNECTOR-COAXIAL
3708-002183	SLC800	CONNECTOR-FPC
3708-002278	SLC500	CONNECTOR-FPC
3708-002781	SLC1000	CONNECTOR-FPC
3711-006615	HDC400,HDC401,HDC402,HDC500,HDC6000	HEADER-BOARD TO BOARD
3711-006852	HDC901	HEADER-BOARD TO BOARD
3711-006919	HDC900	HEADER-BOARD TO BOARD
3711-006923	HDC902	HEADER-BOARD TO BOARD
3711-007494	BTC700	HEADER-BOARD TO BOARD
3712-001348	ANT100,ANT104,ANT202,ANT203	CONNECTOR-TERMINAL
GH70-07484A	SC100	ICT SHIELD-CAN CLIP
GH80-03320A	R204,R207,R211,R212,R214,R702	Solder Bridge PAD
GH80-03321A	R6043,R6054,R6055,R6057,R6058,R6063,R6065,R6128,R803	Solder Bridge PAD
GH98-20254A	SC101	ASSY COVER-SHIELD GPS
GH98-20256A	SC102	ASSY COVER-SHIELD WIFI

Please consult the GSPN website (Samsung Portal) for the most recent version of the product's part list.

[www.s-manuals.com](http://www.s-manuals.com)