

SAMSUNG

TFT-LCD TV

Chassis
VC17EO
VE20EO

Model
LW17M24C
LW20M21C

SERVICE *Manual*

TFT-LCD TV



CONTENTS

1. Precautions
2. Product Specifications
3. Disassembly & Reassembly
4. Alignment & Adjustments
5. Troubleshooting
6. Exploded View & Parts List
7. Electrical Parts List
8. Block Diagram
9. Wiring Diagram
10. PCB Layout
11. Schematic Diagrams
12. Panel Description

1 Precautions

Follow these safety, servicing and ESD precautions to prevent damage and to protect against potential hazards such as electrical shock.

1-1 Safety Precautions

1-1-1 Warnings

1. For continued safety, do not attempt to modify the circuit board.
2. Disconnect the AC power and DC Power Jack before servicing.

1-1-2 Servicing the LCD TV

1. When servicing the LCD TV Disconnect the AC line cord from the AC outlet.
2. It is essential that service technicians have an accurate voltage meter available at all times. Check the calibration of this meter periodically.

1-1-3 Fire and Shock Hazard

Before returning the LCD TV to the user, perform the following safety checks:

1. Inspect each lead dress to make certain that the leads are not pinched or that hardware is not lodged between the chassis and other metal parts in the LCD TV.
2. Inspect all protective devices such as nonmetallic control knobs, insulating materials, cabinet backs, adjustment and compartment covers or shields, isolation resistor-capacitor networks, mechanical insulators, etc.
3. Leakage Current Hot Check (Figure 1-1):

WARNING: Do not use an isolation transformer during this test.

Use a leakage current tester or a metering system that complies with American National Standards Institute (ANSI C101.1, *Leakage Current for Appliances*), and Underwriters Laboratories (*UL Publication UL1410, 59.7*).

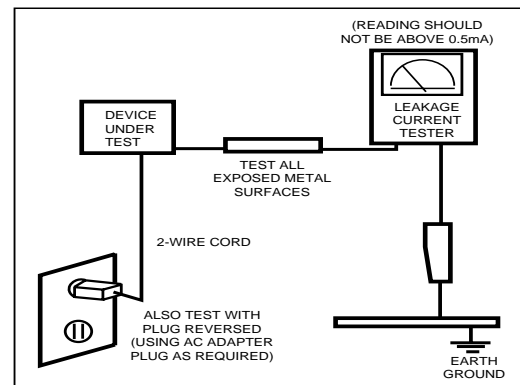


Figure 1-1. Leakage Current Test Circuit

4. With the unit completely reassembled, plug the AC line cord directly into a 220V AC outlet. With the unit's AC switch first in the ON position and then OFF, measure the current between a known earth ground (metal water pipe, conduit, etc.) and all exposed metal parts, including: metal cabinets, screwheads and control shafts. The current measured should not exceed 0.5 milliamp. Reverse the power-plug prongs in the AC outlet and repeat the test.

1-1-4 Product Safety Notices

Some electrical and mechanical parts have special safety-related characteristics which are often not evident from visual inspection. The protection they give may not be obtained by replacing them with components rated for higher voltage, wattage, etc. Parts that have special safety characteristics are identified by \triangle on schematics and parts lists. A substitute replacement that does not have the same safety characteristics as the recommended replacement part might create shock, fire and / or other hazards. Product safety is under review continuously and new instructions are issued whenever appropriate.

1-2 Servicing Precautions

WARNING: An electrolytic capacitor installed with the wrong polarity might explode.

Caution: Before servicing units covered by this service manual, read and follow the Safety Precautions section of this manual.

Note: If unforeseen circumstances create conflict between the following servicing precautions and any of the safety precautions, always follow the safety precautions.

1-2-1 General Servicing Precautions

1. Always unplug the unit's AC power cord from the AC power source and disconnect the DC Power Jack before attempting to:
(a) remove or reinstall any component or assembly, (b) disconnect PCB plugs or connectors, (c) connect a test component in parallel with an electrolytic capacitor.
2. Some components are raised above the printed circuit board for safety. An insulation tube or tape is sometimes used. The internal wiring is sometimes clamped to prevent contact with thermally hot components. Reinstall all such elements to their original position.
3. After servicing, always check that the screws, components and wiring have been correctly reinstalled. Make sure that the area around the serviced part has not been damaged.
4. Check the insulation between the blades of the AC plug and accessible conductive parts (examples: metal panels, input terminals and earphone jacks).
5. Insulation Checking Procedure: Disconnect the power cord from the AC source and turn the power switch ON. Connect an insulation resistance meter (500 V) to the blades of the AC plug.
The insulation resistance between each blade of the AC plug and accessible conductive parts (see above) should be greater than 1 megohm.
6. Always connect a test instrument's ground lead to the instrument chassis ground before connecting the positive lead; always remove the instrument's ground lead last.

1-3 Electrostatically Sensitive Devices (ESD) Precautions

Some semiconductor (solid state) devices can be easily damaged by static electricity. Such components are commonly called Electrostatically Sensitive Devices (ESD). Examples of typical ESD are integrated circuits and some field-effect transistors. The following techniques will reduce the incidence of component damage caused by static electricity.

1. Immediately before handling any semiconductor components or assemblies, drain the electrostatic charge from your body by touching a known earth ground. Alternatively, wear a discharging wrist-strap device. To avoid a shock hazard, be sure to remove the wrist strap before applying power to the LCD TV.
2. After removing an ESD-equipped assembly, place it on a conductive surface such as aluminum foil to prevent accumulation of an electrostatic charge.
3. Do not use freon-propelled chemicals. These can generate electrical charges sufficient to damage ESDs.
4. Use only a grounded-tip soldering iron to solder or desolder ESDs.
5. Use only an anti-static solder removal device. Some solder removal devices not classified as "anti-static" can generate electrical charges sufficient to damage ESDs.
6. Do not remove a replacement ESD from its protective package until you are ready to install it. Most replacement ESDs are packaged with leads that are electrically shorted together by conductive foam, aluminum foil or other conductive materials.
7. Immediately before removing the protective material from the leads of a replacement ESD, touch the protective material to the chassis or circuit assembly into which the device will be installed.
Caution: Be sure no power is applied to the chassis or circuit and observe all other safety precautions.
8. Minimize body motions when handling unpackaged replacement ESDs. Motions such as brushing clothes together, or lifting your foot from a carpeted floor can generate enough static electricity to damage an ESD.

2 Product Specifications

2-1 LW17M24C, LW20M21C Specifications

Item	Description	
	LW17M24C	LW20M21C
LCD Panel	TFT-LCD panel, RGB vertical stripe, normally white, 17-Inch viewable, 0.264 (H) x 0.264(V)mm pixel pitch	
Scanning Frequency	Horizontal : 30 kHz ~ 80 kHz (Automatic) Vertical : 50 Hz ~ 75 Hz (Automatic)	Horizontal : 28 kHz ~ 33 kHz (Automatic) Vertical : 50 Hz ~ 70 Hz (Automatic)
Display Colors	16.2 Million colors	
Maximum Resolution	Horizontal : 1280 Pixels Vertical : 1024 Pixels	Horizontal : 640 Pixels Vertical : 480 Pixels
Input Video Signal	Analog 0.7 Vp-p \pm 5% positive at 75 Ω , internally terminated	
Input Sync Signal	Type : Seperate H/V Level : TTL level	
Active Display Horizontal/Vertical	337.9 mm(H) / 270.3 mm(V)	408 mm(H) / 306 mm(V)
AC power voltage & Frequency	AC 100 ~ 240V, 50 ~ 60 Hz	
Power Consumption	45 W	55 W
Dimensions(W x D x H) Set	16.44 x 7.59 x 16.72 Inches (417.5 x 192.9 x 424.6 mm)(State of stand installed) 16.44 x 4.95 x 16.72 Inches (417.5 x 125.7 x 424.6 mm)(State of Wall mount)	18.86 x 8.85 x 18.07 Inches (479 x 224.8 x 459.1 mm) (State of stand installed) 18.86 x 2.94 x 17.18 Inches (479 x 74.7 x 436.4 mm) (State of stand disassembled) 18.86 x 5.51 x 20.42 Inches (479 x 139.9 x 518.6 mm) (Without Stand of Wall mount)
Package	21.1 x 7.2 x 20.1 Inches (537 x 183 x 511 mm)	22.60 x 23.35 x 8.27 Inches (574 x 593 x 210 mm)
Weight Set / Package	4.95 Kg (10.91lbs) / 7.0 Kg (15.43 lbs)	7.35 Kg (16.20 lbs) (State of stand installed) / 10 Kg (22.05 lbs)
Environmental Considerations	Operating Temperature : 50 °F ~ 104 °F (10 °C ~ 40 °C) Operating Humidity : 10 % ~ 80 % Storage Temperature : -4 °F ~ 113 °F (-20 °C ~ 45 °C) Storage Humidity : 5 % ~ 95 %	
TV System	Tuning	Frequency Synthesize
	System	NTSC-M, PAL/ Secam_L(Euro multi)
	Sound	MONO, STEREO, SAP, A2/Nicam
Antena Input	75 Ω , Coaxial Cable	
Sound Characteristic	– MAX Internal speaker Output : Right => 2.5W Left => 2.5W	
	– Headphone Out: 10mW max (3.50 Stereo Jack 32) – Output Frequency : RF => 80 Hz ~ 15 kHz at -3dB A/V => 80 Hz ~ 20 kHz at -3dB	

2-2 Pin Assignments

2-2-1 Scart

No	PIN
1	Sound R out
2	Sound R In
3	Sound L out
4	GND
5	GND
6	Sound L In
7	Cb
8	ID
9	GND
10	NC
11	Y
12	NC
13	GND
14	GND
15	Cr
16	BL In
17	GND
18	GND
19	Video Out
20	Video In
21	GND

2-2-3 A/V

RCA Yellow	CVBS
RCA White	Audio L
	GND
RCA Red	Audio R
	GND

2-2-2 S-Video

Pin	Separate
1	GND
2	Y
3	C
4	GND
5	GND

2-2-4 D-SUB

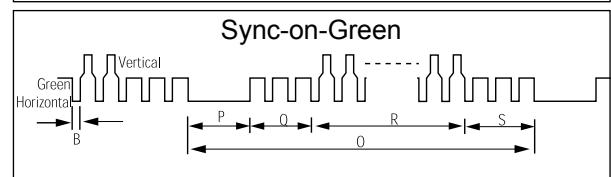
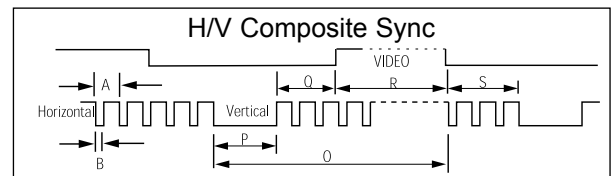
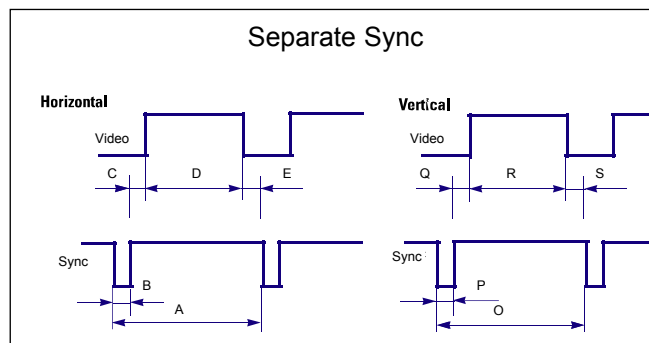
Pin	Separate
1	Red
2	Green
3	Blue
4	GND
5	GND (DDC Return)
6	GND-Red
7	GND-Green
8	GND-Blue
9	No Connection
10	GND-Sync / Self Test
11	GND
12	DDC Data
13	H - Sync
14	V - Sync
15	DDC Clock

2-3 Timing Chart

This section of the service manual describes the timing that the computer industry recognizes as standard for computer-generated video signals.

Table 2-1 Timing Chart

Mode Timing	IBM(LW17M24C/LW20M21C)		VESA(LW17M24C)				
	VGA2/70 Hz 720 x 400	VGA3/60 Hz 640 x 480	640/75 Hz, 60Hz, 72Hz 640 x 480	800/75 Hz, 56Hz, 60Hz, 72Hz 800 x 600	1024/60Hz 1024 x 768	1024/75Hz 1024 x 768	1280/75Hz,50Hz 1280x1024
fH (KHz)	31.469	31.469	37.500	46.875	48.363	60.023	79.976
A μsec	31.777	31.778	26.667	21.333	20.677	16.660	12.504
B μsec	3.813	3.813	2.032	1.616	2.092	1.219	1.067
C μsec	1.589	1.589	3.810	3.232	2.462	2.235	1.837
D μsec	26.058	26.058	20.317	16.162	15.754	13.003	9.481
E μsec	0.318	0.318	0.508	0.323	0.369	0.203	0.119
fV (Hz)	70.087	59.940	75.000	75.000	60.004	75.029	75.025
O msec	14.268	16.683	13.333	13.333	16.666	13.328	13.329
P msec	0.064	0.064	0.080	0.064	0.124	0.050	0.038
Q msec	0.858	0.794	0.427	0.448	0.600	0.466	0.475
R msec	13.155	15.761	12.800	12.800	15.880	12.795	12.804
S msec	0.191	0.064	0.027	0.021	0.062	0.017	0.013
Clock Freq. (MHz)	28.322	25.175	31.500	49.500	75.000	78.750	135.000
Polarity H.Sync	Negative	Negative	Negative	Positive	Negative	Positive	Positive
V.Sync	Positive	Negative	Negative	Positive	Negative	Positive	Positive
Remark	Separate	Separate	Separate	Separate	Separate	Separate	Separate



A : Line time total	B : Horizontal sync width	O : Frame time total	P : Vertical sync width
C : Back porch	D : Active time	Q : Back porch	R : Active time
E : Front porch		S : Front porch	

Memo

3 Disassembly and Reassembly

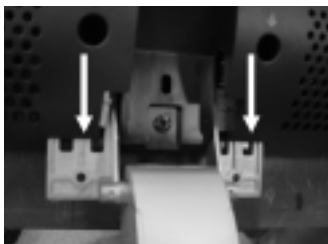
This section of the service manual describes the disassembly and reassembly procedures for the LW17M24C/LW20M21C TFT-LCD TV.

WARNING: This monitor contains electrostatically sensitive devices. Use caution when handling these components.

3-1-1 LW17M24C

Cautions:

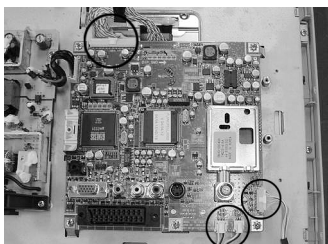
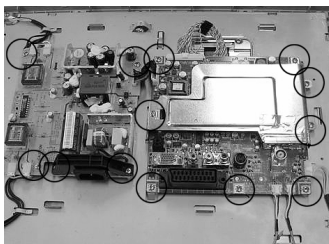
1. Disconnect the monitor from the power source before disassembly.
2. When IP-BOARD has a defect, the whole PCB ASS'Y, not a single part, should be replaced.



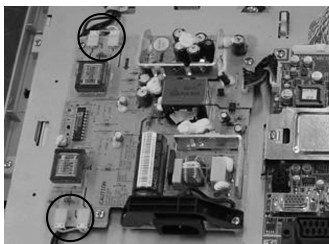
1. Place LCD TV face down on cushioned table. Remove 4 screws from the stand.



2. Remove 3 screws from the rear cover and lift up the rear cover.



3. Remove 13 screws from the boards and remove 2 hold inverter from the boards. Disconnect inverter cable, speaker cable, control cable, BRKT AC cable and LVDS cable from the boards.

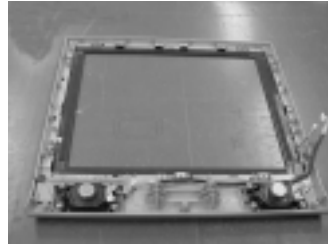


4. Lift up the boards. remove 8 screws from the shield panel.



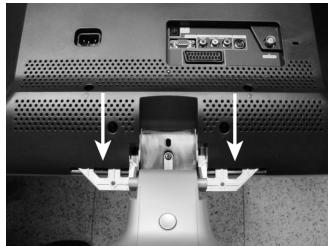
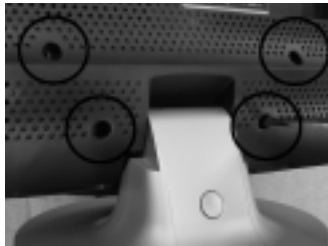
5. Remove 8 screws from the shield panel. Lift up the panel shield. and lift up the panel.

3 Disassembly and Reassembly

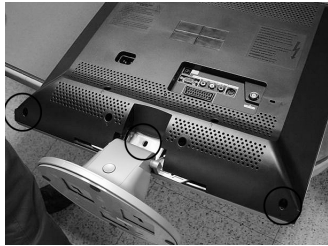


6. Lift up the panel.
This picture shows cover front after disconnecting the panel from it.

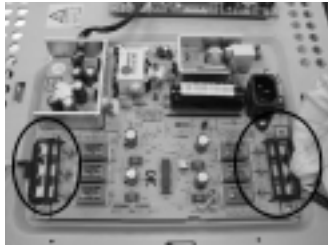
3-1-2 LW20M21C



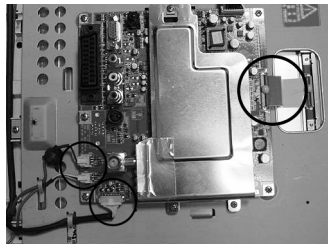
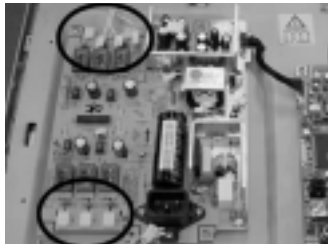
1. Place LCD TV face down on cushioned table.
Remove 4 screws from the grip on the stand.



2. Remove 3 screws on stand and disconnect cover rear after inserting stand completely into stand.
(Note : If stand is loosely inserted into stand, cover rear can be damaged when disconnected.)



3. Disconnect inverter holder wire from the board and carefully remove the silicon glue on the LVDS cable with a nipper.



4. Disconnect function cable, speaker cable, inverter cable and LVDS cable from the board.



5. Remove 8 screws from the shield panel and lift up the panel.

3-2 Reassembly

Reassembly procedures are in the reverse order of disassembly procedures.

Memo

4 Alignments and Adjustments

4-1 General Alignment Instruction

1. Usually, a color TV-VCR needs only slight touch-up adjustment upon installation.
Check the basic characteristics such as height, horizontal and vertical sync.
2. Use the specified test equipment or its equivalent.
3. Correct impedance matching is essential.
4. Avoid overload. Excessive signal from a sweep generator might overload the front-end of the TV.
When inserting signal markers, do not allow the marker generator to distort test result.
5. Connect the TV only to an DC power source with voltage and frequency as specified on the backcover nameplate.
6. Do not attempt to connect or disconnect any wire while the TV is turned on.
Make sure that the power cord is disconnected before replacing any parts.
7. To protect against shock hazard, use an isolation transform.

4-2 Factory Mode Adjustments

4-2-1 Entering Factory Mode

1. To enter "Service Mode" Press the remote -control keys in this sequence :

- If you do not have Factory remote - control

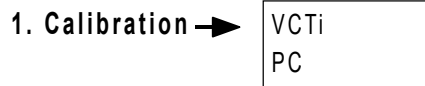


- If you have Factory remote - control



4-2-2 Factory Mode Tree

1. Calibration	
2. Option	
3. W/B	
4. ADC	
5. VCTi 127	
6. ACC/ACM	
7. Test Pattern	0
8. Bus Stop	off
9. Check Sum	0
10. Reset	
T- VNC17(20) - PEU-0003 2004/04/20	



(1) RF, VIDEO, S-VIDEO : Factory Mode → Calibration → VCTi → Enter

(2) PC : adjust in VGA MODE.

Based on Master device (VIDEO SIGNAL GENERATOR MSPG-925F)

execute Auto Adjustment in Cross Hatch (also called Combination) (Model : 10, Pattern : 25)

After adjusting 16 Gray Pattern (Model : 10, Pattern : 17)

Factory Mode → Calibration → PC → Enter

(3) check 4.ADC of Factory Mode. Adjustment can be done as below.

Value variation can be ±10~20.

2. Option →

1. Video Mute	0
2. Auto Power	On
3. Panel	XGA
4. Inch	15
5. Antenna Osd	off
6. TTList/Flof	Flof
7. Auto FM	On
8. Acc/ACM	1
9. Gamma LUT	0
10. ESM	On
11. System	CW

3. W/B(1) →

R level	128
G level	128
B level	128
R gain	127
G gain	127
B gain	127
g Sub Color	0
g Sub Tint	50
Recall	

3. W/B(2) →

Adjustment item		RF [Initial Data]	RF [Adjust Data]	Remark
Red level	ADJ[0~255]	128	128	LW17M24C Blue level 118FIX Red Gain 162FIX
Green level	ADJ[0~255]	128	128	
Blue level	FIX[0~255]	128	128	
Red Gain	FIX[0~255]	128	135	LW20M21C Blue level 119FIX Red Gain 136FIX
Green Gain	ADJ[0~255]	128	135	
Blue Gain	ADJ[0~255]	128	135	
gSUB Color	FIX[0~255]	0	0	
gSUB Tint	FIX[0~255]	50	50	
Factory Recall	*A/S : Micom Initial Data Write			

4 Alignments and Adjustments

4. ADC →

VCTi			PC		
Roff set	FIX[0~127]	46	Roffset	FIX[0~127]	50
Goff set	FIX[0~127]	66	Goffset	FIX[0~127]	54
Boff set	FIX[0~127]	68	Boffset	FIX[0~127]	44
Rgain0	FIX[0~255]	251	Rgain0	FIX[0~255]	115
Rgain1	FIX[0 ~ 1]	0	Rgain1	FIX[0 ~ 1]	1
Ggain0	FIX[0~255]	255	Ggain0	FIX[0~255]	120
Ggain1	FIX[0 ~ 1]	0	Ggain1	FIX[0 ~ 1]	1
Bgain0	FIX[0~255]	253	Bgain0	FIX[0~255]	114
Bgain1	FIX[0 ~ 1]	0	Bgain1	FIX[0 ~ 1]	1

5. VCT →

R Drive	255	RF AGC	0
G Drive	255	Vpeaking	6
B Drive	255	CTI Gain	3
Sub Contrast	44	CTI Coring	5
Sub Bright	0	LMIXOFS	6
Sub Sharp	15	PKCF	3
Sub Color	7	AGCADJ1	32
Sub Tint	50	LTI Gain	15
Sub Coring	5		

6. ACC/ ACM →

Y Max D	7	Up Start	40
Y Scl Thr	64	Low Sn Thr	60
Y Scl A	5	Up Sn Thr	0
Y Scl B	0	Y Min	10
A Ctrl	0	Y Max	255
A SnsIp	8	Ym Div Slp	128
T Dixel	12	Fr Age	1
Lower End	80	Fr App	0
Mid Start	30	Esm Ctrl	127
Mid End	100		

7. Test Pattern (Test Pattern of VCTi)

- | |
|--------------|
| 1) VCTi |
| 2) Toshiba |
| 3) Gray Bar |
| 4) Gray |
| 5) Green |
| 6) Color Bar |
| 7) Cross |

8. Bus Stop

- Bus stop is used data communication.

9. Chcek Sum

- Display the current check sum size of the MICOM.

10. Reset

- Initializes the data in the MICOM.

11. T-VNC17(20) PEU-0003 2004/04/20

- Display the MICOM program version.

4-2-3 White Balance

LW17M24C

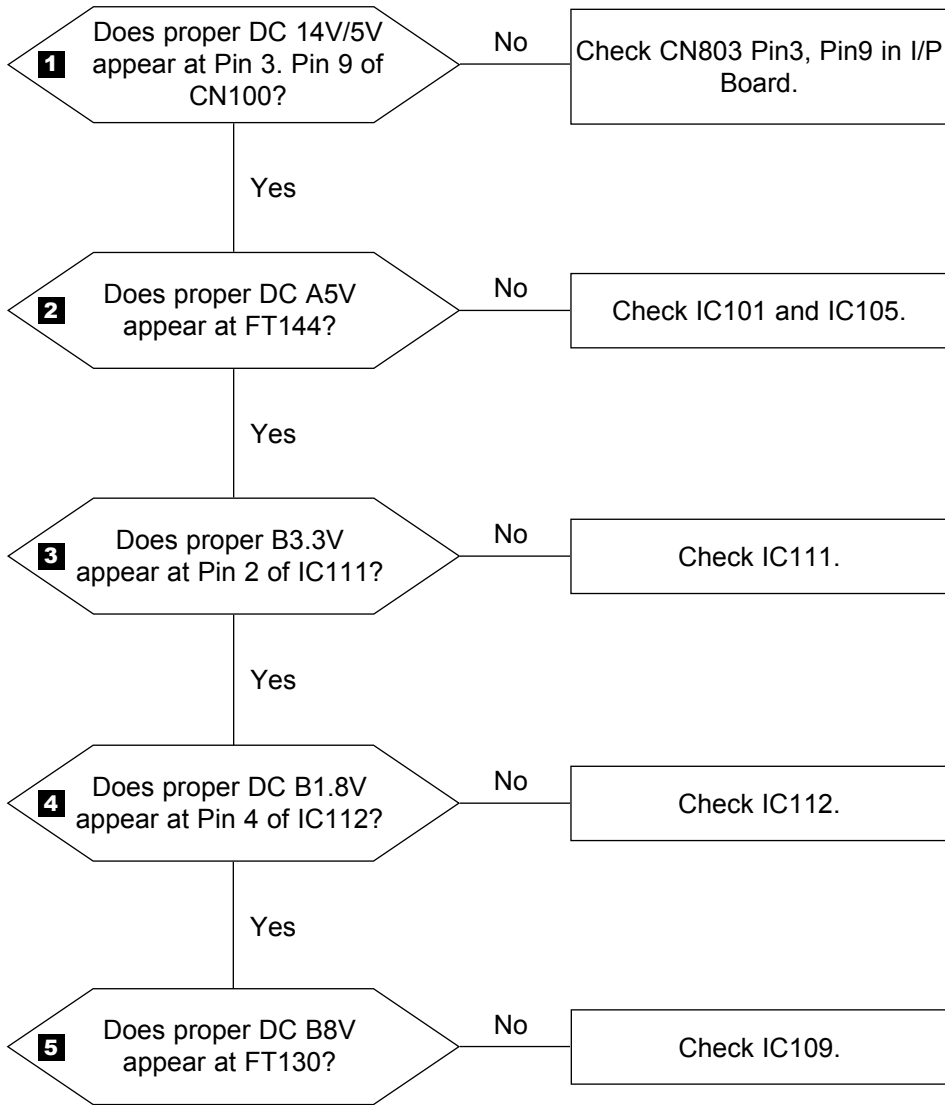
High	Low
285, 295	285, 295
x, y	x, y

LW20M21C

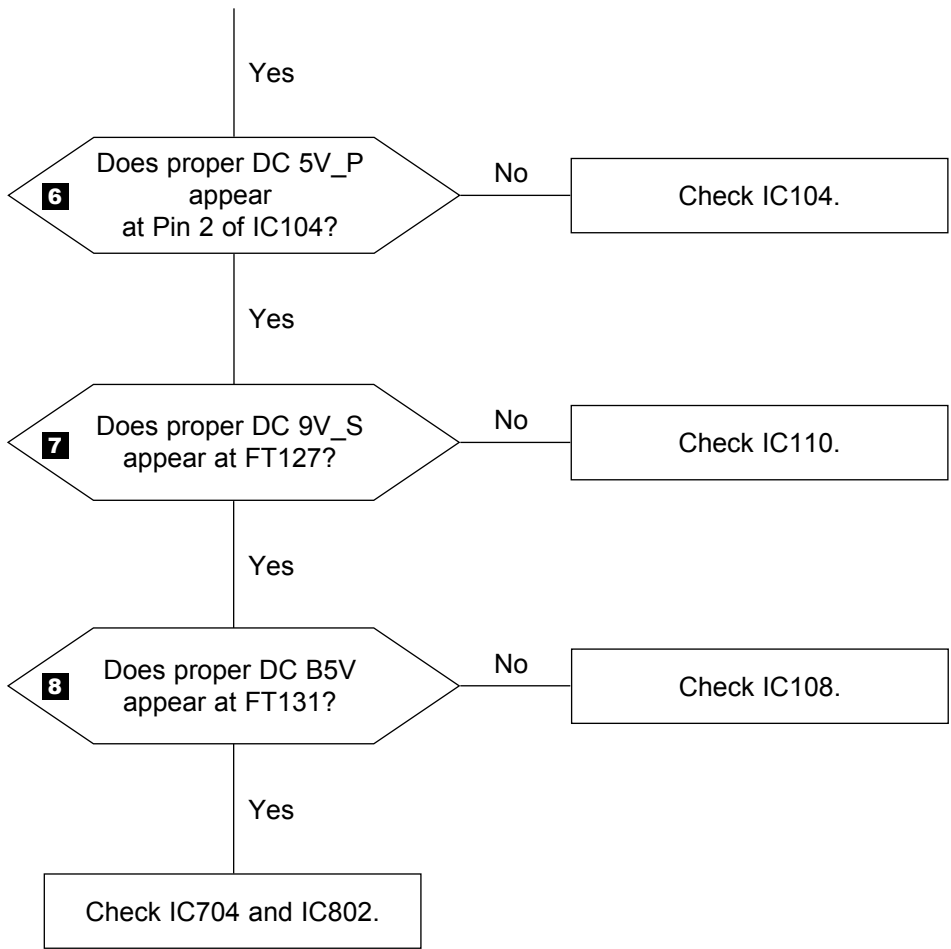
High	Low
285, 295	280, 295
x, y	x, y

5 Troubleshooting

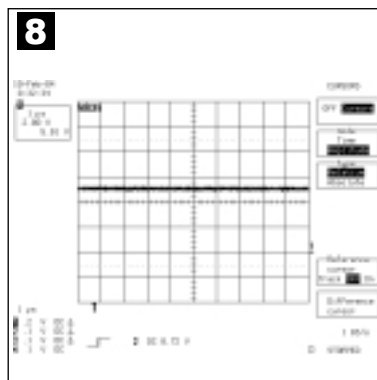
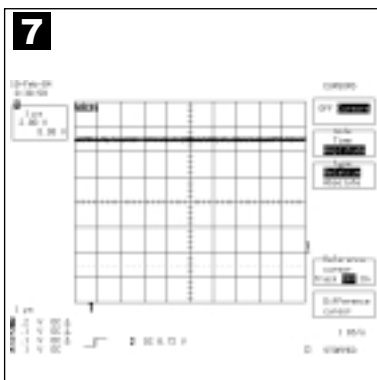
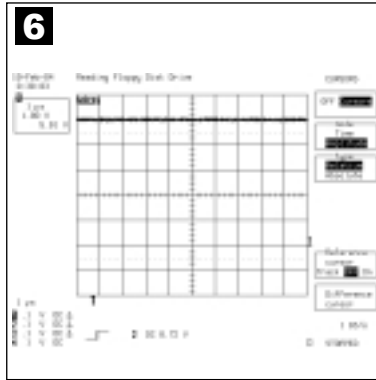
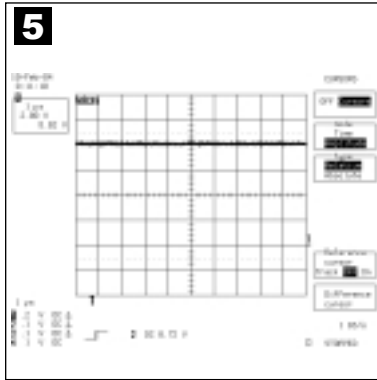
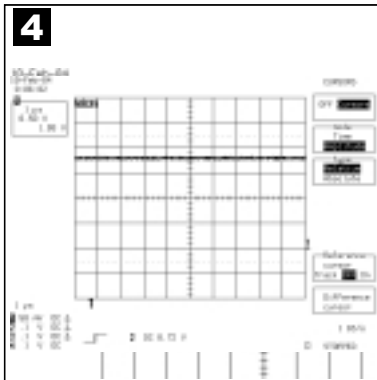
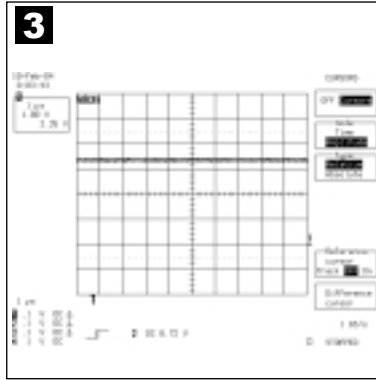
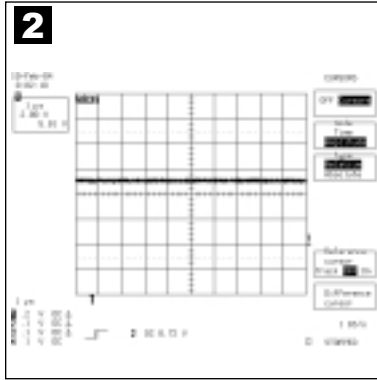
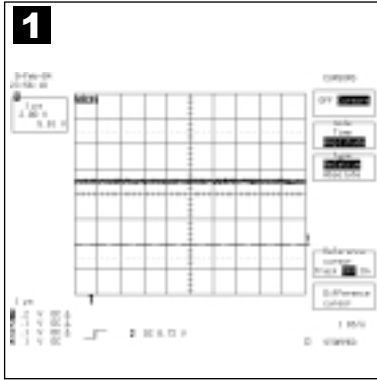
5-1 No Power



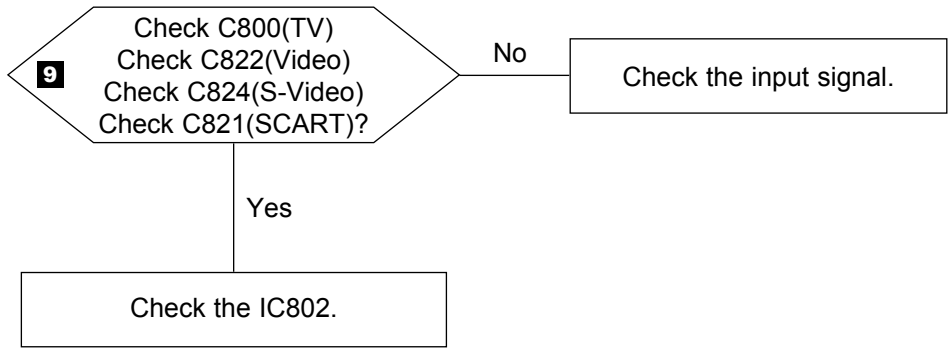
5 Troubleshooting



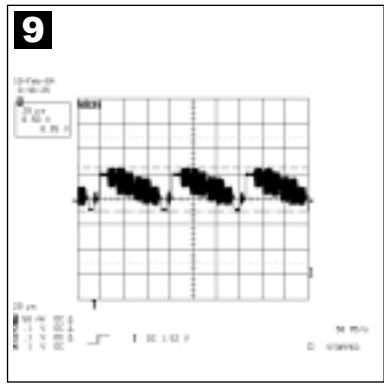
WAVEFORMS



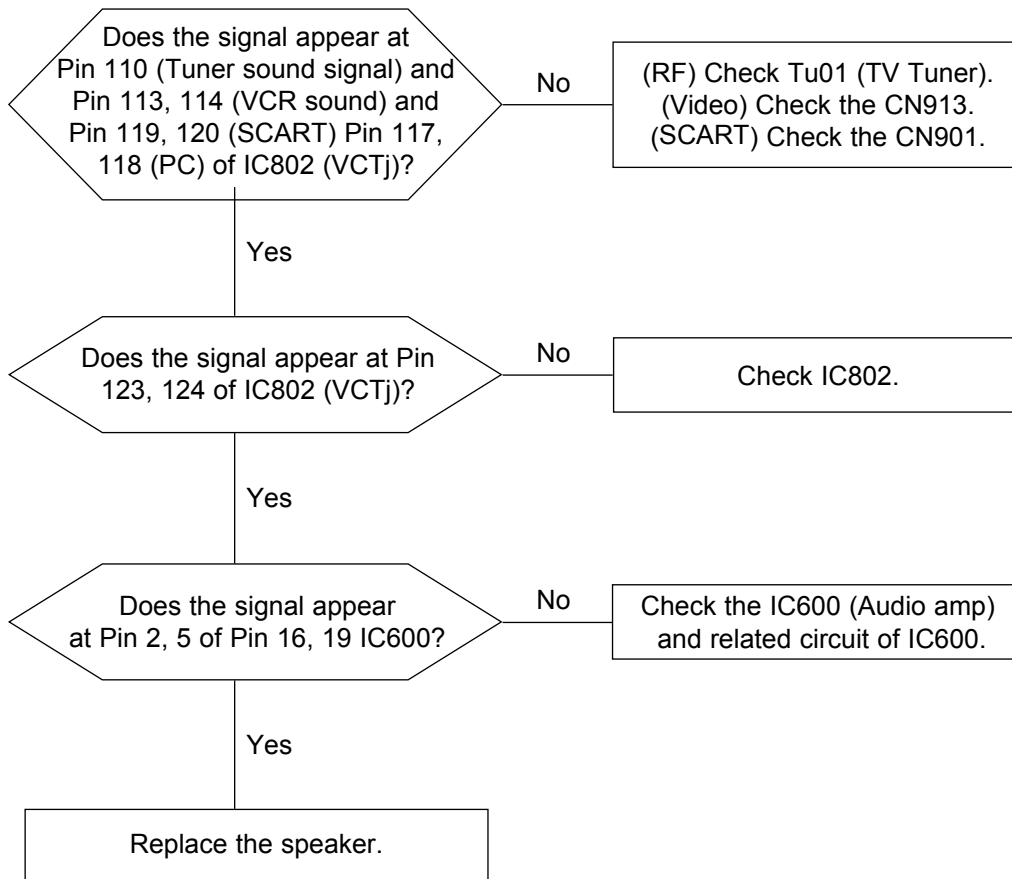
5-2 No Picture (TV, Video, S-Video, DVD)



WAVEFORMS



5-3 No Sound



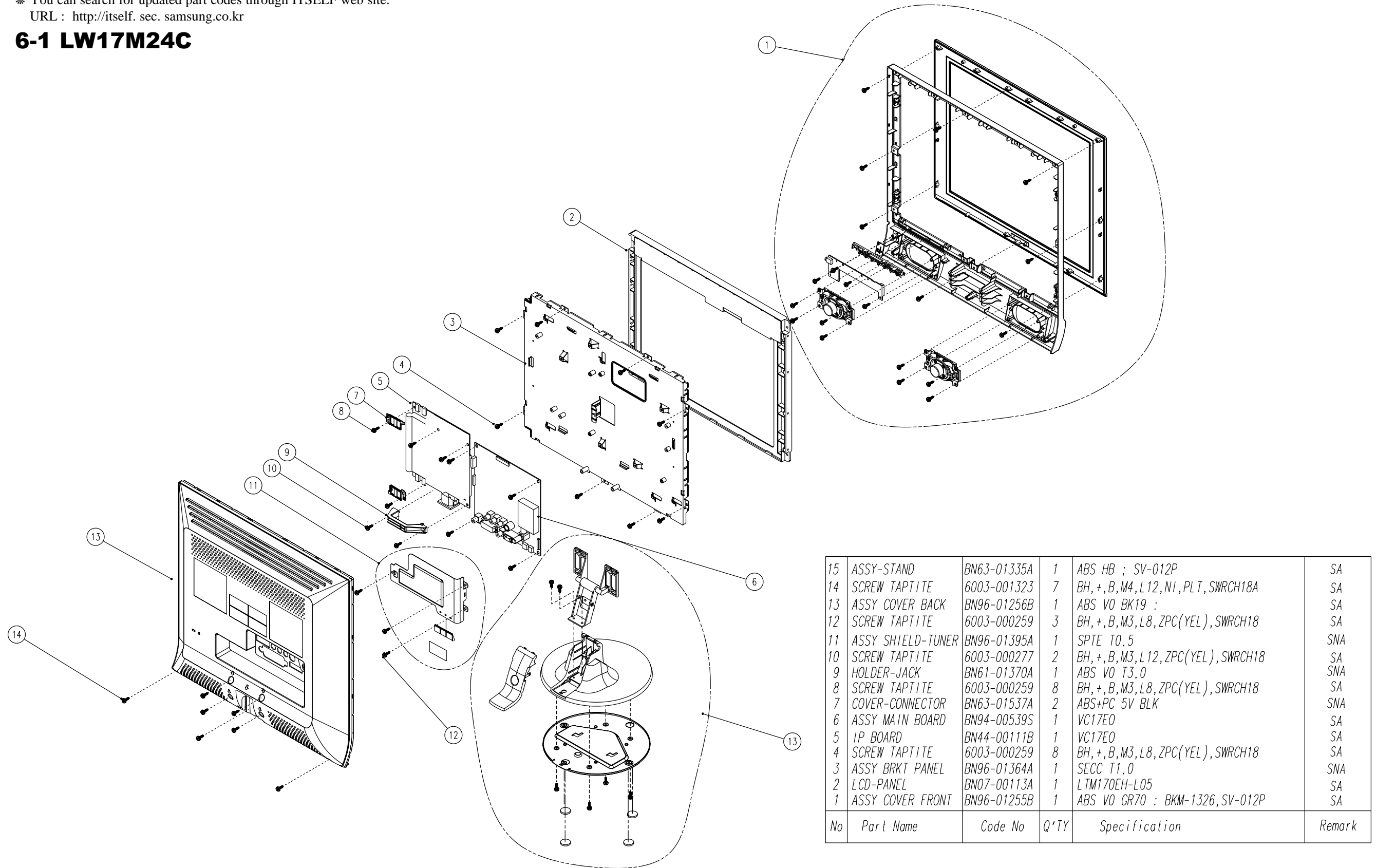
Memo

6 Exploded View and Parts List

* You can search for updated part codes through ITSELF web site.

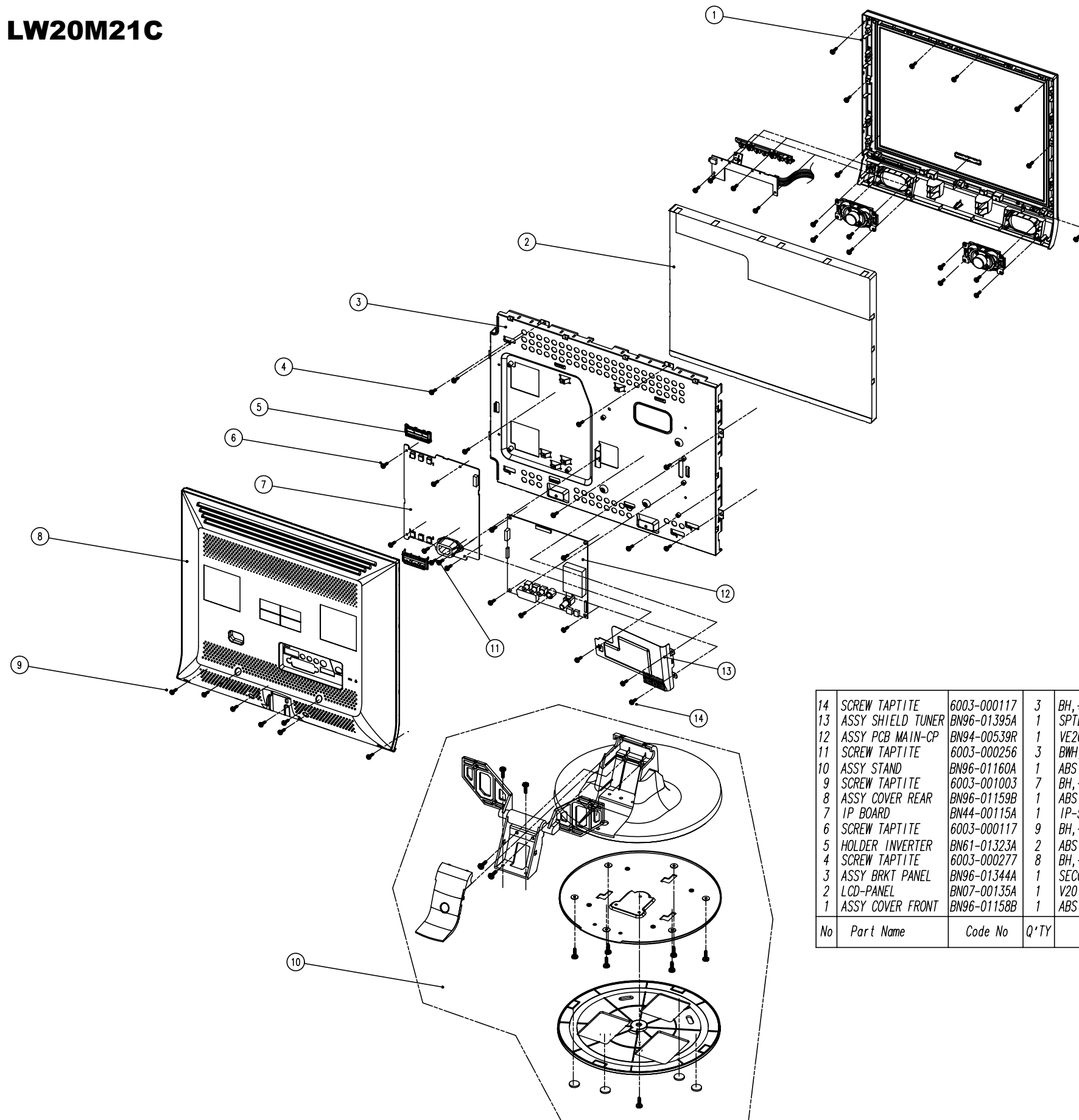
URL : <http://itself.sec.samsung.co.kr>

6-1 LW17M24C



15	ASSY-STAND	BN63-01335A	1	ABS HB ; SV-012P	SA
14	SCREW TAPTITE	6003-001323	7	BH,+ ,B,M4,L12,NI ,PLT,SWRCH18A	SA
13	ASSY COVER BACK	BN96-01256B	1	ABS VO BK19 :	SA
12	SCREW TAPTITE	6003-000259	3	BH,+ ,B,M3,L8,ZPC(YEL) ,SWRCH18	SA
11	ASSY SHIELD-TUNER	BN96-01395A	1	SPT E TO.5	SNA
10	SCREW TAPTITE	6003-000277	2	BH,+ ,B,M3,L12,ZPC(YEL) ,SWRCH18	SA
9	HOLDER-JACK	BN61-01370A	1	ABS VO T3.0	SNA
8	SCREW TAPTITE	6003-000259	8	BH,+ ,B,M3,L8,ZPC(YEL) ,SWRCH18	SA
7	COVER-CONNECTOR	BN63-01537A	2	ABS+PC 5V BLK	SNA
6	ASSY MAIN BOARD	BN94-00539S	1	VC17E0	SA
5	IP BOARD	BN44-00111B	1	VC17E0	SA
4	SCREW TAPTITE	6003-000259	8	BH,+ ,B,M3,L8,ZPC(YEL) ,SWRCH18	SA
3	ASSY BRKT PANEL	BN96-01364A	1	SECC T1.0	SNA
2	LCD-PANEL	BN07-00113A	1	LTM170EH-L05	SA
1	ASSY COVER FRONT	BN96-01255B	1	ABS VO GR70 : BKM-1326,SV-012P	SA
No	Part Name	Code No	Q'TY	Specification	Remark

6-2 LW20M21C



14	SCREW TAPTITE	6003-000117	3	BH,+,B,M3,L6,ZPC(YEL),SWRCH18A	SA
13	ASSY SHIELD TUNER	BN96-01395A	1	SPTE T0.5	SNA
12	ASSY PCB MAIN-CP	BN94-00539R	1	VE20EO	SA
11	SCREW TAPTITE	6003-000256	3	BWH,+,B,M3,L10,ZPC(YEL),SM20C	SA
10	ASSY STAND	BN96-01160A	1	ABS HB GR70 SV-012P	SA
9	SCREW TAPTITE	6003-001003	7	BH,+,B,M4,L12,ZPC(BLK),SWRCH18	SA
8	ASSY COVER REAR	BN96-01159B	1	ABS VO BK19	SA
7	IP BOARD	BN44-00115A	1	IP-51135T,Venice 20*	SA
6	SCREW TAPTITE	6003-000117	9	BH,+,B,M3,L6,ZPC(YEL),SWRCH18A	SNA
5	HOLDER INVERTER	BN61-01323A	2	ABS VO T2.0	
4	SCREW TAPTITE	6003-000277	8	BH,+,B,M3,L12,ZPC(YEL),SWRCH18	SA
3	ASSY BRKT PANEL	BN96-01344A	1	SECC T0.8	SNA
2	LCD-PANEL	BN07-00135A	1	V201V1-T01	SA
1	ASSY COVER FRONT	BN96-01158B	1	ABS VO GR70 : DGM-1326,SV-012P	SA
No	Part Name	Code No	Q'TY	Specification	Remark

7 Electrical Parts List

※ You can search for updated part codes through ITSELF web site.

URL : <http://itself.sec.samsung.co.kr/>

7-1-1 LW17M24C Main PCB Parts

Level	Code No.	Loc. No.	Description	Specification	Remarks
0	VC17EO				
1	S5-VC17EO	-	2	SEC,EH-L05(ZPD)	-
3	BN94-00539S	-	ASSY PCB MAIN	VC17EO	SNA
4	0204-002420	CIS3	SOLVENT	1M-1000,C3H7OH,96,-,-	SNA
4	0204-002426	CIS4	FLUX	DF-201TVS,MIX,0.820,FLUX 13%, 14KG,-	SNA
4	2801-003959	X702	CRYSTAL-UNIT	0.032768MHz,20ppm,28-AA Y,12.5pF,35kohm,BK	SA
4	2904-001179	FT800	FILTER-SAW	36.125MHz,-,32.65-39.6MHz/0.5dB,SIP5K,+0MHz/21.8dB,31.25MHz/37dB	SA
4	3701-001294	CN908	CONNECTOR-DSUB	15P,3R,FEMALE,STRAIGHT,AUF	SA
4	3705-001331	CIS6	CONNECTOR-COAXIAL	PAL,ADAPTOR(JJJ),-,75ohm,-	SA
4	3711-004712	CN100	CONNECTOR-HEADER	BOX,9P,1R,2mm,STRAIGHT,SN	SA
4	3722-000158	CN900	JACK-PIN	1P,3.4mm,SN,YEL,-	SA
4	3722-000498	CN902	JACK-SCART	21P,-,SN,BLK,NO	SA
4	3722-001061	CN909	JACK-PHONE	1P,3.6P,AG,BLK,N	SA
4	3722-001734	CN903	JACK-VHS	4P,-,SN,BLK,-	SA
4	3722-001846	U1913	JACK-PIN	2P,8.3MM,AU,WHT/RED,-	SA
4	BN40-00049A	TU01	TUNER	TMQ26-416AVE15,PAL BG,PAL HYPER,38.9MHz,75 ohm,75 ohm,PHONE-JACK,ASYMM,5V,TR	SA
4	BN97-00362L	MICOM	ASSY MICOM	VC17EO,PM39LV020,T-VNC17PEU,2004.03.24,1107-001495	SNA
5	1107-001495	IC703	IC-FLASH MEMORY	AT49BV002AN-70JI,256Kx8Bit,PLCC,32P,14x11.5mm,70nS,2.7/3.6V,-,-,40to+85C,50uA,-	SA
4	BN97-00384A	-	ASSY SMD	VC17EO	SNA
5	0401-001056	D200	DIODE-SWITCHING	MMBD4148SE,100V,200MA,SOT-23,TP	SA
5	0401-001056	D600	DIODE-SWITCHING	MMBD4148SE,100V,200MA,SOT-23,TP	SA
5	0401-001056	D701	DIODE-SWITCHING	MMBD4148SE,100V,200MA,SOT-23,TP	SA
5	0401-001056	D702	DIODE-SWITCHING	MMBD4148SE,100V,200MA,SOT-23,TP	SA
5	0401-001056	D800	DIODE-SWITCHING	MMBD4148SE,100V,200MA,SOT-23,TP	SA
5	0401-001056	D908	DIODE-SWITCHING	MMBD4148SE,100V,200MA,SOT-23,TP	SA
5	0401-001056	D909	DIODE-SWITCHING	MMBD4148SE,100V,200MA,SOT-23,TP	SA
5	0401-001056	D910	DIODE-SWITCHING	MMBD4148SE,100V,200MA,SOT-23,TP	SA
5	0401-001056	D912	DIODE-SWITCHING	MMBD4148SE,100V,200MA,SOT-23,TP	SA
5	0401-001056	D913	DIODE-SWITCHING	MMBD4148SE,100V,200MA,SOT-23,TP	SA
5	0401-001056	D915	DIODE-SWITCHING	MMBD4148SE,100V,200MA,SOT-23,TP	SA
5	0401-001056	D948	DIODE-SWITCHING	MMBD4148SE,100V,200MA,SOT-23,TP	SA
5	0401-001056	D949	DIODE-SWITCHING	MMBD4148SE,100V,200MA,SOT-23,TP	SA
5	0401-001056	D951	DIODE-SWITCHING	MMBD4148SE,100V,200MA,SOT-23,TP	SA
5	0401-001056	D952	DIODE-SWITCHING	MMBD4148SE,100V,200MA,SOT-23,TP	SA
5	0401-001056	D953	DIODE-SWITCHING	MMBD4148SE,100V,200MA,SOT-23,TP	SA
5	0401-001056	D954	DIODE-SWITCHING	MMBD4148SE,100V,200MA,SOT-23,TP	SA
5	0401-001056	D955	DIODE-SWITCHING	MMBD4148SE,100V,200MA,SOT-23,TP	SA
5	0401-001056	D956	DIODE-SWITCHING	MMBD4148SE,100V,200MA,SOT-23,TP	SA
5	0401-001056	D957	DIODE-SWITCHING	MMBD4148SE,100V,200MA,SOT-23,TP	SA
5	0402-000553	D101	DIODE-RECTIFIER	SS24,40V,2.0A,DO-214AA	SA
5	0402-000553	D102	DIODE-RECTIFIER	SS24,40V,2.0A,DO-214AA	SA
5	0403-000579	D904	DIODE-ZENER	BZX84C5V1,4.8-5.4V,200MW,SOT-23,TP	SA
5	0403-000579	D916	DIODE-ZENER	BZX84C5V1,4.8-5.4V,200MW,SOT-23,TP	SA
5	0403-000579	D917	DIODE-ZENER	BZX84C5V1,4.8-5.4V,200MW,SOT-23,TP	SA
5	0403-000579	D918	DIODE-ZENER	BZX84C5V1,4.8-5.4V,200MW,SOT-23,TP	SA
5	0403-000579	D919	DIODE-ZENER	BZX84C5V1,4.8-5.4V,200MW,SOT-23,TP	SA
5	0403-000579	D920	DIODE-ZENER	BZX84C5V1,4.8-5.4V,200MW,SOT-23,TP	SA
5	0403-000579	D928	DIODE-ZENER	BZX84C5V1,4.8-5.4V,200MW,SOT-23,TP	SA
5	0403-000579	D950	DIODE-ZENER	BZX84C5V1,4.8-5.4V,200MW,SOT-23,TP	SA
5	0403-001048	D944	DIODE-ZENER	BZX84C16,15.3-17.1V,225MW,SOT-23,TP	SA
5	0403-001052	D603	DIODE-ZENER	RD8.2MB,7.7-8.7V,200MW,SOT-23,TP	SA
5	0403-001052	D604	DIODE-ZENER	RD8.2MB,7.7-8.7V,200MW,SOT-23,TP	SA
5	0403-001052	D900	DIODE-ZENER	RD8.2MB,7.7-8.7V,200MW,SOT-23,TP	SA
5	0403-001052	D901	DIODE-ZENER	RD8.2MB,7.7-8.7V,200MW,SOT-23,TP	SA
5	0403-001052	D902	DIODE-ZENER	RD8.2MB,7.7-8.7V,200MW,SOT-23,TP	SA
5	0403-001052	D903	DIODE-ZENER	RD8.2MB,7.7-8.7V,200MW,SOT-23,TP	SA
5	0403-001052	D905	DIODE-ZENER	RD8.2MB,7.7-8.7V,200MW,SOT-23,TP	SA
5	0403-001052	D906	DIODE-ZENER	RD8.2MB,7.7-8.7V,200MW,SOT-23,TP	SA
5	0403-001052	D911	DIODE-ZENER	RD8.2MB,7.7-8.7V,200MW,SOT-23,TP	SA
5	0403-001052	D914	DIODE-ZENER	RD8.2MB,7.7-8.7V,200MW,SOT-23,TP	SA
5	0403-001052	D921	DIODE-ZENER	RD8.2MB,7.7-8.7V,200MW,SOT-23,TP	SA
5	0403-001052	D922	DIODE-ZENER	RD8.2MB,7.7-8.7V,200MW,SOT-23,TP	SA

7 Electrical Parts List

Level	Code No.	Loc. No.	Description	Specification	Remarks
5	0403-001052	D923	DIODE-ZENER	RD8.2MB,7.7-8.7V,200MW,SOT-23,TP	SA
5	0403-001052	D924	DIODE-ZENER	RD8.2MB,7.7-8.7V,200MW,SOT-23,TP	SA
5	0403-001052	D925	DIODE-ZENER	RD8.2MB,7.7-8.7V,200MW,SOT-23,TP	SA
5	0403-001052	D926	DIODE-ZENER	RD8.2MB,7.7-8.7V,200MW,SOT-23,TP	SA
5	0403-001052	D927	DIODE-ZENER	RD8.2MB,7.7-8.7V,200MW,SOT-23,TP	SA
5	0403-001052	D930	DIODE-ZENER	RD8.2MB,7.7-8.7V,200MW,SOT-23,TP	SA
5	0403-001052	D932	DIODE-ZENER	RD8.2MB,7.7-8.7V,200MW,SOT-23,TP	SA
5	0403-001052	D934	DIODE-ZENER	RD8.2MB,7.7-8.7V,200MW,SOT-23,TP	SA
5	0403-001052	D936	DIODE-ZENER	RD8.2MB,7.7-8.7V,200MW,SOT-23,TP	SA
5	0403-001052	D940	DIODE-ZENER	RD8.2MB,7.7-8.7V,200MW,SOT-23,TP	SA
5	0403-001052	D941	DIODE-ZENER	RD8.2MB,7.7-8.7V,200MW,SOT-23,TP	SA
5	0403-001052	D942	DIODE-ZENER	RD8.2MB,7.7-8.7V,200MW,SOT-23,TP	SA
5	0403-001052	D945	DIODE-ZENER	RD8.2MB,7.7-8.7V,200MW,SOT-23,TP	SA
5	0403-001052	D946	DIODE-ZENER	RD8.2MB,7.7-8.7V,200MW,SOT-23,TP	SA
5	0403-001052	D947	DIODE-ZENER	RD8.2MB,7.7-8.7V,200MW,SOT-23,TP	SA
5	0403-001425	D201	DIODE-ZENER	BZX84C33,31-35V,350MW,SOT-23,TP	SA
5	0403-001435	D602	DIODE-ZENER	QZX363C5V6,5.32-5.88V,200MW,SOT-363,TP	SA
5	0407-000123	D601	DIODE-ARRAY	DAN202K,80V,100MA,CA2-3,SOT-23,TP	SA
5	0407-000123	D907	DIODE-ARRAY	DAN202K,80V,100MA,CA2-3,SOT-23,TP	SA
5	0501-000280	Q801	TR-SMALL SIGNAL	KSA1182,PNP,150mW,SOT-23,TP,70	SA
5	0501-000280	Q802	TR-SMALL SIGNAL	KSA1182,PNP,150mW,SOT-23,TP,70	SA
5	0501-000280	Q803	TR-SMALL SIGNAL	KSA1182,PNP,150mW,SOT-23,TP,70	SA
5	0501-000280	Q804	TR-SMALL SIGNAL	KSA1182,PNP,150mW,SOT-23,TP,70	SA
5	0501-000342	Q200	TR-SMALL SIGNAL	KSC1623-Y,NPN,200mW,SOT-23,TP,135-270	SA
5	0501-000342	Q600	TR-SMALL SIGNAL	KSC1623-Y,NPN,200mW,SOT-23,TP,135-270	SA
5	0501-000342	Q601	TR-SMALL SIGNAL	KSC1623-Y,NPN,200mW,SOT-23,TP,135-270	SA
5	0501-000342	Q602	TR-SMALL SIGNAL	KSC1623-Y,NPN,200mW,SOT-23,TP,135-270	SA
5	0501-000342	Q603	TR-SMALL SIGNAL	KSC1623-Y,NPN,200mW,SOT-23,TP,135-270	SA
5	0501-000342	Q800	TR-SMALL SIGNAL	KSC1623-Y,NPN,200mW,SOT-23,TP,135-270	SA
5	0501-000342	Q902	TR-SMALL SIGNAL	KSC1623-Y,NPN,200mW,SOT-23,TP,135-270	SA
5	0501-000344	Q809	TR-SMALL SIGNAL	KSC1623-G,NPN,200mW,SOT-23,TP,	SA
5	0501-002080	Q100	TR-SMALL SIGNAL	2SC2412K,NPN,200mW,SC-59,TP,120-270	SA
5	0501-002080	Q101	TR-SMALL SIGNAL	2SC2412K,NPN,200mW,SC-59,TP,120-270	SA
5	0501-002080	Q104	TR-SMALL SIGNAL	2SC2412K,NPN,200mW,SC-59,TP,120-270	SA
5	0501-002080	Q805	TR-SMALL SIGNAL	2SC2412K,NPN,200mW,SC-59,TP,120-270	SA
5	0501-002080	Q810	TR-SMALL SIGNAL	2SC2412K,NPN,200mW,SC-59,TP,120-270	SA
5	0501-002080	Q900	TR-SMALL SIGNAL	2SC2412K,NPN,200mW,SC-59,TP,120-270	SA
5	0801-002267	IC903	IC-CMOS LOGIC	74LCX14,-,SOIC,14P,150MIL,-,TP,-,-,3.6V,-,40TO+85C,-,5.5V,-,-,24MA	SA
5	0801-002716	IC902	IC-CMOS LOGIC	74LCX157,MULTIPLEXER,SOIC,16P,150MIL,QUAD,TP,PLASTIC,-,0V,-40TO+85C,-,0V,10UA,	SA
5	0909-001036	IC706	IC-REAL TIME CLOCK	DS1337S,-,SO,8P,150MIL,400KHZ,TP,CMOS,PLASTIC,3.3V,-,40TO+85C,-,-,-,-	SA
5	1001-001082	IC501	IC-VIDEO SWITCH	BA7657F,-,SOP,24P,300MIL,SINGL	SA
5	1003-001713	IC704	IC-LCD CONTROLLER	GM2221,PQFP,208P,-,-,-,TR,PLASTIC,3.3V,0to+70C,-,-,-	SA
5	1103-000129	IC900	IC-EEPROM	24C02,256x8,SOP,8P,5x4mm,4.5/5.5V,0to+70C	SA
5	1103-001314	IC705	IC-EEPROM	24C16,2Kx8,SOP,8P,5x4mm,2.7/5.5V,-40to+85C	SA
5	1103-001314	IC805	IC-EEPROM	24C16,2Kx8,SOP,8P,5x4mm,2.7/5.5V,-40to+85C	SA
5	1201-001495	IC601	IC-AUDIO AMP	7050,SOP,8P,150MIL,DUAL,26DB,PLASTIC,6V,0.25W,-,40DB,-,-,20NA,-	SA
5	1201-001980	IC600	IC-AUDIO AMP	TDA7266D,SO,20P,16X11.1MM,-,26DB,PLASTIC,12V,25W,0TO+70C,-,-,-,-,TP	SA
5	1203-001816	IC109	IC-POSI.FIXED REG.	78M08,TO-252,3P,-,PLASTIC,7.7/8.3V,1.0W,-40TO+85C,0.5A,-,TP	SA
5	1203-001824	IC300	IC-VOL. DETECTOR	7042,SOT-89,3P,-,PLASTIC,4.05V/4.35V,500MW,-30TO+75C,20MA,-,TP	SA
5	1203-002842	IC101	IC-POSI.FIXED REG.	AP1117D-33A,TO-252,3P,6.7X5.6MM,PLASTIC,3.235/3.365V,-,0TO+150C,1A,-,TP	SA
5	1203-002842	IC111	IC-POSI.FIXED REG.	AP1117D-33A,TO-252,3P,6.7X5.6MM,PLASTIC,3.235/3.365V,-,0TO+150C,1A,-,TP	SA
5	1203-002844	IC105	IC-POSI.FIXED REG.	AP1117D-18A,TO-252-3L,3P,6.7X5.6MM,PLASTIC,1.764/1.836V,-,0TO+150C,1A,-,TP	SA
5	1203-002844	IC112	IC-POSI.FIXED REG.	AP1117D-18A,TO-252-3L,3P,6.7X5.6MM,PLASTIC,1.764/1.836V,-,0TO+150C,1A,-,TP	SA
5	1203-003015	IC108	IC-DC/DC CONVERTER	MP1410ES,SOIC,8P,4.9x3.9mm,PLASTIC,2.5/5V,-,20to+85C,2A,-,TP	SA
5	1203-003015	IC110	IC-DC/DC CONVERTER	MP1410ES,SOIC,8P,4.9x3.9mm,PLASTIC,2.5/5V,-,20to+85C,2A,-,TP	SA
5	2007-000052	R738	R-CHIP	10Kohm,1%,1/10W,TP,1608	SA
5	2007-000052	R739	R-CHIP	10Kohm,1%,1/10W,TP,1608	SA
5	2007-000052	R8126	R-CHIP	10Kohm,1%,1/10W,TP,1608	SA
5	2007-000052	R915	R-CHIP	10Kohm,1%,1/10W,TP,1608	SA
5	2007-000052	R916	R-CHIP	10Kohm,1%,1/10W,TP,1608	SA
5	2007-000070	R205	R-CHIP	0ohm,5%,1/10W,TP,1608	SA
5	2007-000070	R207	R-CHIP	0ohm,5%,1/10W,TP,1608	SA
5	2007-000070	R208	R-CHIP	0ohm,5%,1/10W,TP,1608	SA
5	2007-000070	R209	R-CHIP	0ohm,5%,1/10W,TP,1608	SA
5	2007-000070	R311	R-CHIP	0ohm,5%,1/10W,TP,1608	SA
5	2007-000070	R312	R-CHIP	0ohm,5%,1/10W,TP,1608	SA
5	2007-000070	R734	R-CHIP	0ohm,5%,1/10W,TP,1608	SA
5	2007-000070	R781	R-CHIP	0ohm,5%,1/10W,TP,1608	SA
5	2007-000070	R803	R-CHIP	0ohm,5%,1/10W,TP,1608	SA
5	2007-000070	R8104	R-CHIP	0ohm,5%,1/10W,TP,1608	SA
5	2007-000070	R8105	R-CHIP	0ohm,5%,1/10W,TP,1608	SA
5	2007-000070	R837	R-CHIP	0ohm,5%,1/10W,TP,1608	SA
5	2007-000070	R841	R-CHIP	0ohm,5%,1/10W,TP,1608	SA
5	2007-000070	R842	R-CHIP	0ohm,5%,1/10W,TP,1608	SA
5	2007-000070	R845	R-CHIP	0ohm,5%,1/10W,TP,1608	SA
5	2007-000070	R850	R-CHIP	0ohm,5%,1/10W,TP,1608	SA

7 Electrical Parts List

Level	Code No.	Loc. No.	Description	Specification	Remarks
5	2007-000074	R959	R-CHIP	100ohm,5%,1/10W,TP,1608	SA
5	2007-000074	R960	R-CHIP	100ohm,5%,1/10W,TP,1608	SA
5	2007-000074	R961	R-CHIP	100ohm,5%,1/10W,TP,1608	SA
5	2007-000074	R962	R-CHIP	100ohm,5%,1/10W,TP,1608	SA
5	2007-000074	R963	R-CHIP	100ohm,5%,1/10W,TP,1608	SA
5	2007-000074	R964	R-CHIP	100ohm,5%,1/10W,TP,1608	SA
5	2007-000074	R968	R-CHIP	100ohm,5%,1/10W,TP,1608	SA
5	2007-000075	R940	R-CHIP	220ohm,5%,1/10W,TP,1608	SA
5	2007-000075	R942	R-CHIP	220ohm,5%,1/10W,TP,1608	SA
5	2007-000076	R200	R-CHIP	330ohm,5%,1/10W,TP,1608	SA
5	2007-000077	R802	R-CHIP	470ohm,5%,1/10W,TP,1608	SA
5	2007-000078	R604	R-CHIP	1Kohm,5%,1/10W,TP,1608	SA
5	2007-000078	R611	R-CHIP	1Kohm,5%,1/10W,TP,1608	SA
5	2007-000078	R619	R-CHIP	1Kohm,5%,1/10W,TP,1608	SA
5	2007-000078	R623	R-CHIP	1Kohm,5%,1/10W,TP,1608	SA
5	2007-000078	R725	R-CHIP	1Kohm,5%,1/10W,TP,1608	SA
5	2007-000078	R839	R-CHIP	1Kohm,5%,1/10W,TP,1608	SA
5	2007-000078	R864	R-CHIP	1Kohm,5%,1/10W,TP,1608	SA
5	2007-000078	R927	R-CHIP	1Kohm,5%,1/10W,TP,1608	SA
5	2007-000078	R928	R-CHIP	1Kohm,5%,1/10W,TP,1608	SA
5	2007-000078	R931	R-CHIP	1Kohm,5%,1/10W,TP,1608	SA
5	2007-000078	R932	R-CHIP	1Kohm,5%,1/10W,TP,1608	SA
5	2007-000080	R512	R-CHIP	2Kohm,5%,1/10W,TP,1608	SA
5	2007-000081	R624	R-CHIP	2.7Kohm,5%,1/10W,TP,1608	SA
5	2007-000081	R625	R-CHIP	2.7Kohm,5%,1/10W,TP,1608	SA
5	2007-000081	R8145	R-CHIP	2.7Kohm,5%,1/10W,TP,1608	SA
5	2007-000081	R858	R-CHIP	2.7Kohm,5%,1/10W,TP,1608	SA
5	2007-000082	R8017	R-CHIP	3.3Kohm,5%,1/10W,TP,1608	SA
5	2007-000082	R8106	R-CHIP	3.3Kohm,5%,1/10W,TP,1608	SA
5	2007-000082	R934	R-CHIP	3.3Kohm,5%,1/10W,TP,1608	SA
5	2007-000084	R600	R-CHIP	4.7Kohm,5%,1/10W,TP,1608	SA
5	2007-000084	R601	R-CHIP	4.7Kohm,5%,1/10W,TP,1608	SA
5	2007-000084	R607	R-CHIP	4.7Kohm,5%,1/10W,TP,1608	SA
5	2007-000084	R609	R-CHIP	4.7Kohm,5%,1/10W,TP,1608	SA
5	2007-000084	R800	R-CHIP	4.7Kohm,5%,1/10W,TP,1608	SA
5	2007-000084	R801	R-CHIP	4.7Kohm,5%,1/10W,TP,1608	SA
5	2007-000084	R8119	R-CHIP	4.7Kohm,5%,1/10W,TP,1608	SA
5	2007-000084	R8120	R-CHIP	4.7Kohm,5%,1/10W,TP,1608	SA
5	2007-000084	R855	R-CHIP	4.7Kohm,5%,1/10W,TP,1608	SA
5	2007-000084	R914	R-CHIP	4.7Kohm,5%,1/10W,TP,1608	SA
5	2007-000084	R924	R-CHIP	4.7Kohm,5%,1/10W,TP,1608	SA
5	2007-000084	R929	R-CHIP	4.7Kohm,5%,1/10W,TP,1608	SA
5	2007-000084	R930	R-CHIP	4.7Kohm,5%,1/10W,TP,1608	SA
5	2007-000087	R173	R-CHIP	6.8Kohm,5%,1/10W,TP,1608	SA
5	2007-000087	R852	R-CHIP	6.8Kohm,5%,1/10W,TP,1608	SA
5	2007-000087	R853	R-CHIP	6.8Kohm,5%,1/10W,TP,1608	SA
5	2007-000090	R114	R-CHIP	10Kohm,5%,1/10W,TP,1608	SA
5	2007-000090	R128	R-CHIP	10Kohm,5%,1/10W,TP,1608	SA
5	2007-000090	R165	R-CHIP	10Kohm,5%,1/10W,TP,1608	SA
5	2007-000090	R174	R-CHIP	10Kohm,5%,1/10W,TP,1608	SA
5	2007-000090	R516	R-CHIP	10Kohm,5%,1/10W,TP,1608	SA
5	2007-000090	R605	R-CHIP	10Kohm,5%,1/10W,TP,1608	SA
5	2007-000090	R606	R-CHIP	10Kohm,5%,1/10W,TP,1608	SA
5	2007-000090	R608	R-CHIP	10Kohm,5%,1/10W,TP,1608	SA
5	2007-000090	R610	R-CHIP	10Kohm,5%,1/10W,TP,1608	SA
5	2007-000090	R614	R-CHIP	10Kohm,5%,1/10W,TP,1608	SA
5	2007-000090	R615	R-CHIP	10Kohm,5%,1/10W,TP,1608	SA
5	2007-000090	R704	R-CHIP	10Kohm,5%,1/10W,TP,1608	SA
5	2007-000090	R706	R-CHIP	10Kohm,5%,1/10W,TP,1608	SA
5	2007-000090	R713	R-CHIP	10Kohm,5%,1/10W,TP,1608	SA
5	2007-000090	R742	R-CHIP	10Kohm,5%,1/10W,TP,1608	SA
5	2007-000090	R745	R-CHIP	10Kohm,5%,1/10W,TP,1608	SA
5	2007-000090	R746	R-CHIP	10Kohm,5%,1/10W,TP,1608	SA
5	2007-000090	R747	R-CHIP	10Kohm,5%,1/10W,TP,1608	SA
5	2007-000090	R748	R-CHIP	10Kohm,5%,1/10W,TP,1608	SA
5	2007-000090	R749	R-CHIP	10Kohm,5%,1/10W,TP,1608	SA
5	2007-000090	R8121	R-CHIP	10Kohm,5%,1/10W,TP,1608	SA
5	2007-000090	R8143	R-CHIP	10Kohm,5%,1/10W,TP,1608	SA
5	2007-000090	R8144	R-CHIP	10Kohm,5%,1/10W,TP,1608	SA
5	2007-000090	R821	R-CHIP	10Kohm,5%,1/10W,TP,1608	SA
5	2007-000090	R879	R-CHIP	10Kohm,5%,1/10W,TP,1608	SA
5	2007-000090	R933	R-CHIP	10Kohm,5%,1/10W,TP,1608	SA
5	2007-000090	R944	R-CHIP	10Kohm,5%,1/10W,TP,1608	SA
5	2007-000090	R965	R-CHIP	10Kohm,5%,1/10W,TP,1608	SA
5	2007-000090	R966	R-CHIP	10Kohm,5%,1/10W,TP,1608	SA
5	2007-000091	R167	R-CHIP	12Kohm,5%,1/10W,TP,1608	SA

Level	Code No.	Loc. No.	Description	Specification	Remarks
5	2007-000093	R612	R-CHIP	20Kohm,5%,1/10W,TP,1608	SA
5	2007-000093	R613	R-CHIP	20Kohm,5%,1/10W,TP,1608	SA
5	2007-000093	R616	R-CHIP	20Kohm,5%,1/10W,TP,1608	SA
5	2007-000094	R202	R-CHIP	22Kohm,5%,1/10W,TP,1608	SA
5	2007-000100	R514	R-CHIP	68Kohm,5%,1/10W,TP,1608	SA
5	2007-000102	R116	R-CHIP	100Kohm,5%,1/10W,TP,1608	SA
5	2007-000102	R120	R-CHIP	100Kohm,5%,1/10W,TP,1608	SA
5	2007-000102	R121	R-CHIP	100Kohm,5%,1/10W,TP,1608	SA
5	2007-000102	R127	R-CHIP	100Kohm,5%,1/10W,TP,1608	SA
5	2007-000102	R201	R-CHIP	100Kohm,5%,1/10W,TP,1608	SA
5	2007-000102	R211	R-CHIP	100Kohm,5%,1/10W,TP,1608	SA
5	2007-000103	R617	R-CHIP	120Kohm,5%,1/10W,TP,1608	SA
5	2007-000107	R510	R-CHIP	470Kohm,5%,1/10W,TP,1608	SA
5	2007-000113	R838	R-CHIP	33ohm,5%,1/10W,TP,1608	SA
5	2007-000113	R843	R-CHIP	33ohm,5%,1/10W,TP,1608	SA
5	2007-000113	R854	R-CHIP	33ohm,5%,1/10W,TP,1608	SA
5	2007-000121	R8109	R-CHIP	820ohm,5%,1/10W,TP,1608	SA
5	2007-000234	R896	R-CHIP	1.3Kohm,5%,1/10W,TP,1608	SA
5	2007-000239	R773	R-CHIP	1.5Kohm,1%,1/10W,TP,1608	SA
5	2007-000239	R774	R-CHIP	1.5Kohm,1%,1/10W,TP,1608	SA
5	2007-000309	R620	R-CHIP	10ohm,5%,1/10W,TP,1608	SA
5	2007-000309	R621	R-CHIP	10ohm,5%,1/10W,TP,1608	SA
5	2007-000309	R827	R-CHIP	10ohm,5%,1/10W,TP,1608	SA
5	2007-000309	R830	R-CHIP	10ohm,5%,1/10W,TP,1608	SA
5	2007-000309	R833	R-CHIP	10ohm,5%,1/10W,TP,1608	SA
5	2007-000402	R732	R-CHIP	150ohm,5%,1/10W,TP,1608	SA
5	2007-000402	R733	R-CHIP	150ohm,5%,1/10W,TP,1608	SA
5	2007-000402	R740	R-CHIP	150ohm,5%,1/10W,TP,1608	SA
5	2007-000402	R817	R-CHIP	150ohm,5%,1/10W,TP,1608	SA
5	2007-000402	R818	R-CHIP	150ohm,5%,1/10W,TP,1608	SA
5	2007-000402	R819	R-CHIP	150ohm,5%,1/10W,TP,1608	SA
5	2007-000402	R836	R-CHIP	150ohm,5%,1/10W,TP,1608	SA
5	2007-000402	R840	R-CHIP	150ohm,5%,1/10W,TP,1608	SA
5	2007-000402	R849	R-CHIP	150ohm,5%,1/10W,TP,1608	SA
5	2007-000402	R897	R-CHIP	150ohm,5%,1/10W,TP,1608	SA
5	2007-000402	R925	R-CHIP	150ohm,5%,1/10W,TP,1608	SA
5	2007-000458	R808	R-CHIP	18Kohm,5%,1/10W,TP,1608	SA
5	2007-000539	R828	R-CHIP	200ohm,5%,1/10W,TP,1608	SA
5	2007-000539	R831	R-CHIP	200ohm,5%,1/10W,TP,1608	SA
5	2007-000539	R834	R-CHIP	200ohm,5%,1/10W,TP,1608	SA
5	2007-000570	R926	R-CHIP	220OHM,1%,1/10W,DA,TP,1608	SA
5	2007-000608	R737	R-CHIP	240ohm,5%,1/10W,TP,1608	SA
5	2007-000643	R826	R-CHIP	270ohm,5%,1/10W,TP,1608	SA
5	2007-000643	R829	R-CHIP	270ohm,5%,1/10W,TP,1608	SA
5	2007-000643	R832	R-CHIP	270ohm,5%,1/10W,TP,1608	SA
5	2007-000659	R899	R-CHIP	27ohm,5%,1/10W,TP,1608	SA
5	2007-000708	R169	R-CHIP	3.9Kohm,1%,1/10W,TP,1608	SA
5	2007-000882	R8102	R-CHIP	4.7ohm,5%,1/10W,TP,1608	SA
5	2007-000913	R171	R-CHIP	43Kohm,5%,1/10W,TP,1608	SA
5	2007-000939	R115	R-CHIP	47Kohm,1%,1/10W,TP,1608	SA
5	2007-000965	R168	R-CHIP	5.1Kohm,5%,1/10W,TP,1608	SA
5	2007-000965	R172	R-CHIP	5.1Kohm,5%,1/10W,TP,1608	SA
5	2007-001002	R8101	R-CHIP	510ohm,5%,1/10W,TP,1608	SA
5	2007-001044	R618	R-CHIP	56ohm,5%,1/10W,TP,1608	SA
5	2007-001044	R622	R-CHIP	56ohm,5%,1/10W,TP,1608	SA
5	2007-001101	R888	R-CHIP	62ohm,5%,1/10W,TP,1608	SA
5	2007-001134	R8100	R-CHIP	68ohm,5%,1/10W,TP,1608	SA
5	2007-001164	R501	R-CHIP	75ohm,1%,1/10W,TP,1608	SA
5	2007-001164	R503	R-CHIP	75ohm,1%,1/10W,TP,1608	SA
5	2007-001164	R506	R-CHIP	75ohm,1%,1/10W,TP,1608	SA
5	2007-001164	R735	R-CHIP	75ohm,1%,1/10W,TP,1608	SA
5	2007-001164	R736	R-CHIP	75ohm,1%,1/10W,TP,1608	SA
5	2007-001164	R741	R-CHIP	75ohm,1%,1/10W,TP,1608	SA
5	2007-001164	R902	R-CHIP	75ohm,1%,1/10W,TP,1608	SA
5	2007-001164	R903	R-CHIP	75ohm,1%,1/10W,TP,1608	SA
5	2007-001164	R904	R-CHIP	75ohm,1%,1/10W,TP,1608	SA
5	2007-001164	R917	R-CHIP	75ohm,1%,1/10W,TP,1608	SA
5	2007-001164	R918	R-CHIP	75ohm,1%,1/10W,TP,1608	SA
5	2007-001164	R919	R-CHIP	75ohm,1%,1/10W,TP,1608	SA
5	2007-001164	R946	R-CHIP	75ohm,1%,1/10W,TP,1608	SA
5	2007-001167	R906	R-CHIP	75ohm,5%,1/10W,TP,1608	SA
5	2007-001167	R908	R-CHIP	75ohm,5%,1/10W,TP,1608	SA
5	2007-001167	R909	R-CHIP	75ohm,5%,1/10W,TP,1608	SA
5	2007-001167	R945	R-CHIP	75ohm,5%,1/10W,TP,1608	SA
5	2007-001179	R210	R-CHIP	8.2Kohm,5%,1/10W,TP,1608	SA
5	2011-000002	RA711	R-NET	22OHM,5%,1/16W,L,CHIP,8P,TP,3216	SA

7 Electrical Parts List

Level	Code No.	Loc. No.	Description	Specification	Remarks
5	2011-000002	RA712	R-NET	220HM,5%,1/16W,L,CHIP,8P,TP,3216	SA
5	2011-000002	RA713	R-NET	220HM,5%,1/16W,L,CHIP,8P,TP,3216	SA
5	2011-000002	RA714	R-NET	220HM,5%,1/16W,L,CHIP,8P,TP,3216	SA
5	2011-000002	RA715	R-NET	220HM,5%,1/16W,L,CHIP,8P,TP,3216	SA
5	2011-000881	RA800	R-NET	33ohm,5%,1/16W,L,CHIP,8P,TP,3.2x1.6x0.5mm	SA
5	2011-000881	RA808	R-NET	33ohm,5%,1/16W,L,CHIP,8P,TP,3.2x1.6x0.5mm	SA
5	2203-000041	C540	C-CER,CHIP	0.01NF,0.25PF,50V,C0G,TP,1608	SA
5	2203-000041	C541	C-CER,CHIP	0.01NF,0.25PF,50V,C0G,TP,1608	SA
5	2203-000041	C542	C-CER,CHIP	0.01NF,0.25PF,50V,C0G,TP,1608	SA
5	2203-000140	C119	C-CER,CHIP	1.5nF,10%,50V,X7R,TP,1608,-	SA
5	2203-000140	C120	C-CER,CHIP	1.5nF,10%,50V,X7R,TP,1608,-	SA
5	2203-000140	C132	C-CER,CHIP	1.5nF,10%,50V,X7R,TP,1608,-	SA
5	2203-000140	C286	C-CER,CHIP	1.5nF,10%,50V,X7R,TP,1608,-	SA
5	2203-000140	C314	C-CER,CHIP	1.5nF,10%,50V,X7R,TP,1608,-	SA
5	2203-000140	C316	C-CER,CHIP	1.5nF,10%,50V,X7R,TP,1608,-	SA
5	2203-000140	C318	C-CER,CHIP	1.5nF,10%,50V,X7R,TP,1608,-	SA
5	2203-000140	C334	C-CER,CHIP	1.5nF,10%,50V,X7R,TP,1608,-	SA
5	2203-000189	C107	C-CER,CHIP	100nF,+80-20%,25V,Y5V,TP,1608,	SA
5	2203-000189	C117	C-CER,CHIP	100nF,+80-20%,25V,Y5V,TP,1608,	SA
5	2203-000189	C118	C-CER,CHIP	100nF,+80-20%,25V,Y5V,TP,1608,	SA
5	2203-000189	C143	C-CER,CHIP	100nF,+80-20%,25V,Y5V,TP,1608,	SA
5	2203-000189	C163	C-CER,CHIP	100nF,+80-20%,25V,Y5V,TP,1608,	SA
5	2203-000189	C175	C-CER,CHIP	100nF,+80-20%,25V,Y5V,TP,1608,	SA
5	2203-000189	C179	C-CER,CHIP	100nF,+80-20%,25V,Y5V,TP,1608,	SA
5	2203-000189	C183	C-CER,CHIP	100nF,+80-20%,25V,Y5V,TP,1608,	SA
5	2203-000189	C190	C-CER,CHIP	100nF,+80-20%,25V,Y5V,TP,1608,	SA
5	2203-000189	C203	C-CER,CHIP	100nF,+80-20%,25V,Y5V,TP,1608,	SA
5	2203-000189	C217	C-CER,CHIP	100nF,+80-20%,25V,Y5V,TP,1608,	SA
5	2203-000189	C607	C-CER,CHIP	100nF,+80-20%,25V,Y5V,TP,1608,	SA
5	2203-000189	C609	C-CER,CHIP	100nF,+80-20%,25V,Y5V,TP,1608,	SA
5	2203-000189	C615	C-CER,CHIP	100nF,+80-20%,25V,Y5V,TP,1608,	SA
5	2203-000189	C620	C-CER,CHIP	100nF,+80-20%,25V,Y5V,TP,1608,	SA
5	2203-000189	C745	C-CER,CHIP	100nF,+80-20%,25V,Y5V,TP,1608,	SA
5	2203-000189	C754	C-CER,CHIP	100nF,+80-20%,25V,Y5V,TP,1608,	SA
5	2203-000189	C766	C-CER,CHIP	100nF,+80-20%,25V,Y5V,TP,1608,	SA
5	2203-000189	C769	C-CER,CHIP	100nF,+80-20%,25V,Y5V,TP,1608,	SA
5	2203-000189	C802	C-CER,CHIP	100nF,+80-20%,25V,Y5V,TP,1608,	SA
5	2203-000189	C808	C-CER,CHIP	100nF,+80-20%,25V,Y5V,TP,1608,	SA
5	2203-000189	C810	C-CER,CHIP	100nF,+80-20%,25V,Y5V,TP,1608,	SA
5	2203-000189	C817	C-CER,CHIP	100nF,+80-20%,25V,Y5V,TP,1608,	SA
5	2203-000189	C818	C-CER,CHIP	100nF,+80-20%,25V,Y5V,TP,1608,	SA
5	2203-000189	C819	C-CER,CHIP	100nF,+80-20%,25V,Y5V,TP,1608,	SA
5	2203-000189	C820	C-CER,CHIP	100nF,+80-20%,25V,Y5V,TP,1608,	SA
5	2203-000189	C821	C-CER,CHIP	100nF,+80-20%,25V,Y5V,TP,1608,	SA
5	2203-000189	C822	C-CER,CHIP	100nF,+80-20%,25V,Y5V,TP,1608,	SA
5	2203-000189	C823	C-CER,CHIP	100nF,+80-20%,25V,Y5V,TP,1608,	SA
5	2203-000189	C824	C-CER,CHIP	100nF,+80-20%,25V,Y5V,TP,1608,	SA
5	2203-000189	C825	C-CER,CHIP	100nF,+80-20%,25V,Y5V,TP,1608,	SA
5	2203-000189	C827	C-CER,CHIP	100nF,+80-20%,25V,Y5V,TP,1608,	SA
5	2203-000189	C828	C-CER,CHIP	100nF,+80-20%,25V,Y5V,TP,1608,	SA
5	2203-000189	C829	C-CER,CHIP	100nF,+80-20%,25V,Y5V,TP,1608,	SA
5	2203-000189	C839	C-CER,CHIP	100nF,+80-20%,25V,Y5V,TP,1608,	SA
5	2203-000189	C910	C-CER,CHIP	100nF,+80-20%,25V,Y5V,TP,1608,	SA
5	2203-000189	C918	C-CER,CHIP	100nF,+80-20%,25V,Y5V,TP,1608,	SA
5	2203-000189	C919	C-CER,CHIP	100nF,+80-20%,25V,Y5V,TP,1608,	SA
5	2203-000189	C920	C-CER,CHIP	100nF,+80-20%,25V,Y5V,TP,1608,	SA
5	2203-000189	C939	C-CER,CHIP	100nF,+80-20%,25V,Y5V,TP,1608,	SA
5	2203-000189	C940	C-CER,CHIP	100nF,+80-20%,25V,Y5V,TP,1608,	SA
5	2203-000236	C182	C-CER,CHIP	0.1NF,5%,50V,C0G,TP,1608	SA
5	2203-000236	C189	C-CER,CHIP	0.1NF,5%,50V,C0G,TP,1608	SA
5	2203-000236	C208	C-CER,CHIP	0.1NF,5%,50V,C0G,TP,1608	SA
5	2203-000236	C209	C-CER,CHIP	0.1NF,5%,50V,C0G,TP,1608	SA
5	2203-000236	C922	C-CER,CHIP	0.1NF,5%,50V,C0G,TP,1608	SA
5	2203-000236	C933	C-CER,CHIP	0.1NF,5%,50V,C0G,TP,1608	SA
5	2203-000257	C180	C-CER,CHIP	10nF,10%,50V,X7R,TP,1608	SA
5	2203-000257	C181	C-CER,CHIP	10nF,10%,50V,X7R,TP,1608	SA
5	2203-000257	C187	C-CER,CHIP	10nF,10%,50V,X7R,TP,1608	SA
5	2203-000257	C188	C-CER,CHIP	10nF,10%,50V,X7R,TP,1608	SA
5	2203-000257	C200	C-CER,CHIP	10nF,10%,50V,X7R,TP,1608	SA
5	2203-000257	C205	C-CER,CHIP	10nF,10%,50V,X7R,TP,1608	SA
5	2203-000257	C212	C-CER,CHIP	10nF,10%,50V,X7R,TP,1608	SA
5	2203-000257	C502	C-CER,CHIP	10nF,10%,50V,X7R,TP,1608	SA
5	2203-000257	C743	C-CER,CHIP	10nF,10%,50V,X7R,TP,1608	SA
5	2203-000257	C744	C-CER,CHIP	10nF,10%,50V,X7R,TP,1608	SA
5	2203-000257	C750	C-CER,CHIP	10nF,10%,50V,X7R,TP,1608	SA
5	2203-000257	C755	C-CER,CHIP	10nF,10%,50V,X7R,TP,1608	SA

Level	Code No.	Loc. No.	Description	Specification	Remarks
5	2203-000257	C756	C-CER,CHIP	10nF,10%,50V,X7R,TP,1608	SA
5	2203-000257	C757	C-CER,CHIP	10nF,10%,50V,X7R,TP,1608	SA
5	2203-000257	C758	C-CER,CHIP	10nF,10%,50V,X7R,TP,1608	SA
5	2203-000257	C809	C-CER,CHIP	10nF,10%,50V,X7R,TP,1608	SA
5	2203-000257	C811	C-CER,CHIP	10nF,10%,50V,X7R,TP,1608	SA
5	2203-000257	C812	C-CER,CHIP	10nF,10%,50V,X7R,TP,1608	SA
5	2203-000257	C846	C-CER,CHIP	10nF,10%,50V,X7R,TP,1608	SA
5	2203-000257	C936	C-CER,CHIP	10nF,10%,50V,X7R,TP,1608	SA
5	2203-000257	C938	C-CER,CHIP	10nF,10%,50V,X7R,TP,1608	SA
5	2203-000491	C202	C-CER,CHIP	2.2nF,10%,50V,X7R,TP,1608,-	SA
5	2203-000491	C611	C-CER,CHIP	2.2nF,10%,50V,X7R,TP,1608,-	SA
5	2203-000491	C612	C-CER,CHIP	2.2nF,10%,50V,X7R,TP,1608,-	SA
5	2203-000626	C804	C-CER,CHIP	0.022nF,5%,50V,C0G,TP,1608	SA
5	2203-000626	C805	C-CER,CHIP	0.022nF,5%,50V,C0G,TP,1608	SA
5	2203-000697	C909	C-CER,CHIP	0.002nF,0.25PF,50V,C0G,TP,1608	SA
5	2203-000697	C915	C-CER,CHIP	0.002nF,0.25PF,50V,C0G,TP,1608	SA
5	2203-000697	C916	C-CER,CHIP	0.002nF,0.25PF,50V,C0G,TP,1608	SA
5	2203-000697	C917	C-CER,CHIP	0.002nF,0.25PF,50V,C0G,TP,1608	SA
5	2203-000783	C900	C-CER,CHIP	0.33nF,5%,50V,C0G,TP,1608	SA
5	2203-000783	C901	C-CER,CHIP	0.33nF,5%,50V,C0G,TP,1608	SA
5	2203-000783	C907	C-CER,CHIP	0.33nF,5%,50V,C0G,TP,1608	SA
5	2203-000783	C908	C-CER,CHIP	0.33nF,5%,50V,C0G,TP,1608	SA
5	2203-000783	C911	C-CER,CHIP	0.33nF,5%,50V,C0G,TP,1608	SA
5	2203-000783	C913	C-CER,CHIP	0.33nF,5%,50V,C0G,TP,1608	SA
5	2203-000783	C931	C-CER,CHIP	0.33nF,5%,50V,C0G,TP,1608	SA
5	2203-000783	C932	C-CER,CHIP	0.33nF,5%,50V,C0G,TP,1608	SA
5	2203-000815	C902	C-CER,CHIP	0.033nF,5%,50V,C0G,TP,1608	SA
5	2203-000815	C903	C-CER,CHIP	0.033nF,5%,50V,C0G,TP,1608	SA
5	2203-000815	C904	C-CER,CHIP	0.033nF,5%,50V,C0G,TP,1608	SA
5	2203-000815	C905	C-CER,CHIP	0.033nF,5%,50V,C0G,TP,1608	SA
5	2203-000815	C906	C-CER,CHIP	0.033nF,5%,50V,C0G,TP,1608	SA
5	2203-000815	C934	C-CER,CHIP	0.033nF,5%,50V,C0G,TP,1608	SA
5	2203-000888	C204	C-CER,CHIP	4.7nF,10%,50V,X7R,TP,1608	SA
5	2203-000972	C207	C-CER,CHIP	47nF,10%,16V,X7R,TP,1608	SA
5	2203-001052	C813	C-CER,CHIP	0.56nF,10%,50V,X7R,TP,1608	SA
5	2203-001052	C814	C-CER,CHIP	0.56nF,10%,50V,X7R,TP,1608	SA
5	2203-001052	C816	C-CER,CHIP	0.56nF,10%,50V,X7R,TP,1608	SA
5	2203-001086	C727	C-CER,CHIP	0.005nF,0.25pF,50V,NP0,TP,1608	SA
5	2203-001086	C728	C-CER,CHIP	0.005nF,0.25pF,50V,NP0,TP,1608	SA
5	2203-001402	C614	C-CER,CHIP	220nF,+80-20%,16V,Y5V,TP,1608	SA
5	2203-001402	C617	C-CER,CHIP	220nF,+80-20%,16V,Y5V,TP,1608	SA
5	2203-001402	C618	C-CER,CHIP	220nF,+80-20%,16V,Y5V,TP,1608	SA
5	2203-001402	C621	C-CER,CHIP	220nF,+80-20%,16V,Y5V,TP,1608	SA
5	2203-001607	C206	C-CER,CHIP	0.22nF,5%,50V,NP0,-,1608	SA
5	2203-001652	C616	C-CER,CHIP	470nF,+80-20%,16V,Y5V,TP,1608	SA
5	2203-001652	C619	C-CER,CHIP	470nF,+80-20%,16V,Y5V,TP,1608	SA
5	2203-001656	C121	C-CER,CHIP	0.47nF,5%,50V,NP0,TP,1608	SA
5	2203-001656	C131	C-CER,CHIP	0.47nF,5%,50V,NP0,TP,1608	SA
5	2203-001656	C287	C-CER,CHIP	0.47nF,5%,50V,NP0,TP,1608	SA
5	2203-001656	C315	C-CER,CHIP	0.47nF,5%,50V,NP0,TP,1608	SA
5	2203-001656	C317	C-CER,CHIP	0.47nF,5%,50V,NP0,TP,1608	SA
5	2203-001656	C319	C-CER,CHIP	0.47nF,5%,50V,NP0,TP,1608	SA
5	2203-001656	C335	C-CER,CHIP	0.47nF,5%,50V,NP0,TP,1608	SA
5	2203-001656	C337	C-CER,CHIP	0.47nF,5%,50V,NP0,TP,1608	SA
5	2203-001656	C521	C-CER,CHIP	0.47nF,5%,50V,NP0,TP,1608	SA
5	2203-005005	C228	C-CER,CHIP	100nF,10%,16V,X7R,TP,1608	SA
5	2203-005005	C235	C-CER,CHIP	100nF,10%,16V,X7R,TP,1608	SA
5	2203-005005	C524	C-CER,CHIP	100nF,10%,16V,X7R,TP,1608	SA
5	2203-005005	C526	C-CER,CHIP	100nF,10%,16V,X7R,TP,1608	SA
5	2203-005005	C529	C-CER,CHIP	100nF,10%,16V,X7R,TP,1608	SA
5	2203-005005	C530	C-CER,CHIP	100nF,10%,16V,X7R,TP,1608	SA
5	2203-005005	C533	C-CER,CHIP	100nF,10%,16V,X7R,TP,1608	SA
5	2203-005005	C535	C-CER,CHIP	100nF,10%,16V,X7R,TP,1608	SA
5	2203-005005	C704	C-CER,CHIP	100nF,10%,16V,X7R,TP,1608	SA
5	2203-005005	C705	C-CER,CHIP	100nF,10%,16V,X7R,TP,1608	SA
5	2203-005005	C706	C-CER,CHIP	100nF,10%,16V,X7R,TP,1608	SA
5	2203-005005	C707	C-CER,CHIP	100nF,10%,16V,X7R,TP,1608	SA
5	2203-005005	C709	C-CER,CHIP	100nF,10%,16V,X7R,TP,1608	SA
5	2203-005005	C710	C-CER,CHIP	100nF,10%,16V,X7R,TP,1608	SA
5	2203-005005	C711	C-CER,CHIP	100nF,10%,16V,X7R,TP,1608	SA
5	2203-005005	C713	C-CER,CHIP	100nF,10%,16V,X7R,TP,1608	SA
5	2203-005005	C716	C-CER,CHIP	100nF,10%,16V,X7R,TP,1608	SA
5	2203-005005	C718	C-CER,CHIP	100nF,10%,16V,X7R,TP,1608	SA
5	2203-005005	C719	C-CER,CHIP	100nF,10%,16V,X7R,TP,1608	SA
5	2203-005005	C720	C-CER,CHIP	100nF,10%,16V,X7R,TP,1608	SA
5	2203-005005	C721	C-CER,CHIP	100nF,10%,16V,X7R,TP,1608	SA

7 Electrical Parts List

Level	Code No.	Loc. No.	Description	Specification	Remarks
5	2203-005005	C722	C-CER,CHIP	100nF,10%,16V,X7R,TP,1608	SA
5	2203-005005	C724	C-CER,CHIP	100nF,10%,16V,X7R,TP,1608	SA
5	2203-005005	C725	C-CER,CHIP	100nF,10%,16V,X7R,TP,1608	SA
5	2203-005005	C726	C-CER,CHIP	100nF,10%,16V,X7R,TP,1608	SA
5	2203-005005	C729	C-CER,CHIP	100nF,10%,16V,X7R,TP,1608	SA
5	2203-005005	C730	C-CER,CHIP	100nF,10%,16V,X7R,TP,1608	SA
5	2203-005005	C731	C-CER,CHIP	100nF,10%,16V,X7R,TP,1608	SA
5	2203-005005	C732	C-CER,CHIP	100nF,10%,16V,X7R,TP,1608	SA
5	2203-005005	C733	C-CER,CHIP	100nF,10%,16V,X7R,TP,1608	SA
5	2203-005005	C734	C-CER,CHIP	100nF,10%,16V,X7R,TP,1608	SA
5	2203-005005	C735	C-CER,CHIP	100nF,10%,16V,X7R,TP,1608	SA
5	2203-005005	C736	C-CER,CHIP	100nF,10%,16V,X7R,TP,1608	SA
5	2203-005005	C737	C-CER,CHIP	100nF,10%,16V,X7R,TP,1608	SA
5	2203-005005	C738	C-CER,CHIP	100nF,10%,16V,X7R,TP,1608	SA
5	2203-005005	C739	C-CER,CHIP	100nF,10%,16V,X7R,TP,1608	SA
5	2203-005005	C740	C-CER,CHIP	100nF,10%,16V,X7R,TP,1608	SA
5	2203-005005	C741	C-CER,CHIP	100nF,10%,16V,X7R,TP,1608	SA
5	2203-005005	C742	C-CER,CHIP	100nF,10%,16V,X7R,TP,1608	SA
5	2203-005005	C747	C-CER,CHIP	100nF,10%,16V,X7R,TP,1608	SA
5	2203-005005	C749	C-CER,CHIP	100nF,10%,16V,X7R,TP,1608	SA
5	2203-005005	C759	C-CER,CHIP	100nF,10%,16V,X7R,TP,1608	SA
5	2203-005005	C760	C-CER,CHIP	100nF,10%,16V,X7R,TP,1608	SA
5	2203-005005	C764	C-CER,CHIP	100nF,10%,16V,X7R,TP,1608	SA
5	2203-005005	C768	C-CER,CHIP	100nF,10%,16V,X7R,TP,1608	SA
5	2203-005065	C600	C-CER,CHIP	1000nF,+80-20%,10V,Y5V,-,1608	SA
5	2203-005065	C603	C-CER,CHIP	1000nF,+80-20%,10V,Y5V,-,1608	SA
5	2203-005194	C714	C-CER,CHIP	220pF,10%,50V,X7R,TP,1608,-	SA
5	2203-005194	C715	C-CER,CHIP	220pF,10%,50V,X7R,TP,1608,-	SA
5	2203-005194	C748	C-CER,CHIP	220pF,10%,50V,X7R,TP,1608,-	SA
5	2203-005194	C751	C-CER,CHIP	220pF,10%,50V,X7R,TP,1608,-	SA
5	2203-005194	C752	C-CER,CHIP	220pF,10%,50V,X7R,TP,1608,-	SA
5	2203-005194	C753	C-CER,CHIP	220pF,10%,50V,X7R,TP,1608,-	SA
5	2203-006036	C601	C-CER,CHIP	680NF,+80-20%,16V,Y5V,TP,1608	SA
5	2203-006036	C602	C-CER,CHIP	680NF,+80-20%,16V,Y5V,TP,1608	SA
5	2402-000108	C306	C-AL,SMD	10uF,20%,16V,WT,TP,4.3x4.3x5.4	SA
5	2402-000108	C837	C-AL,SMD	10uF,20%,16V,WT,TP,4.3x4.3x5.4	SA
5	2402-000135	C605	C-AL,SMD	22uF,20%,16V,GP,TP,5.3x5.3x5.4	SA
5	2402-000135	C610	C-AL,SMD	22uF,20%,16V,GP,TP,5.3x5.3x5.4	SA
5	2402-000135	C835	C-AL,SMD	22uF,20%,16V,GP,TP,5.3x5.3x5.4	SA
5	2402-000135	C836	C-AL,SMD	22uF,20%,16V,GP,TP,5.3x5.3x5.4	SA
5	2402-000135	C935	C-AL,SMD	22uF,20%,16V,GP,TP,5.3x5.3x5.4	SA
5	2402-000135	C937	C-AL,SMD	22uF,20%,16V,GP,TP,5.3x5.3x5.4	SA
5	2402-000144	C834	C-AL,SMD	3.3uF,20%,50V,GP,TP,4.3x4.3x5.4	SA
5	2402-000170	C101	C-AL,SMD	1uF,20%,50V,GP,TP,4.3x4.3x5.4	SA
5	2402-000170	C102	C-AL,SMD	1uF,20%,50V,GP,TP,4.3x4.3x5.4	SA
5	2402-000170	C115	C-AL,SMD	1uF,20%,50V,GP,TP,4.3x4.3x5.4	SA
5	2402-000170	C213	C-AL,SMD	1uF,20%,50V,GP,TP,4.3x4.3x5.4	SA
5	2402-000170	C305	C-AL,SMD	1uF,20%,50V,GP,TP,4.3x4.3x5.4	SA
5	2402-000170	C847	C-AL,SMD	1uF,20%,50V,GP,TP,4.3x4.3x5.4	SA
5	2402-000170	C921	C-AL,SMD	1uF,20%,50V,GP,TP,4.3x4.3x5.4	SA
5	2402-000176	C116	C-AL,SMD	10uF,20%,16V,GP,TP,4.3x4.3x5.4	SA
5	2402-000176	C122	C-AL,SMD	10uF,20%,16V,GP,TP,4.3x4.3x5.4	SA
5	2402-000176	C123	C-AL,SMD	10uF,20%,16V,GP,TP,4.3x4.3x5.4	SA
5	2402-000176	C124	C-AL,SMD	10uF,20%,16V,GP,TP,4.3x4.3x5.4	SA
5	2402-000176	C125	C-AL,SMD	10uF,20%,16V,GP,TP,4.3x4.3x5.4	SA
5	2402-000176	C126	C-AL,SMD	10uF,20%,16V,GP,TP,4.3x4.3x5.4	SA
5	2402-000176	C127	C-AL,SMD	10uF,20%,16V,GP,TP,4.3x4.3x5.4	SA
5	2402-000176	C128	C-AL,SMD	10uF,20%,16V,GP,TP,4.3x4.3x5.4	SA
5	2402-000176	C129	C-AL,SMD	10uF,20%,16V,GP,TP,4.3x4.3x5.4	SA
5	2402-000176	C130	C-AL,SMD	10uF,20%,16V,GP,TP,4.3x4.3x5.4	SA
5	2402-000176	C508	C-AL,SMD	10uF,20%,16V,GP,TP,4.3x4.3x5.4	SA
5	2402-000176	C509	C-AL,SMD	10uF,20%,16V,GP,TP,4.3x4.3x5.4	SA
5	2402-000176	C512	C-AL,SMD	10uF,20%,16V,GP,TP,4.3x4.3x5.4	SA
5	2402-000176	C514	C-AL,SMD	10uF,20%,16V,GP,TP,4.3x4.3x5.4	SA
5	2402-000176	C517	C-AL,SMD	10uF,20%,16V,GP,TP,4.3x4.3x5.4	SA
5	2402-000176	C518	C-AL,SMD	10uF,20%,16V,GP,TP,4.3x4.3x5.4	SA
5	2402-000176	C838	C-AL,SMD	10uF,20%,16V,GP,TP,4.3x4.3x5.4	SA
5	2402-001006	C833	C-AL,SMD	4.7uF,20%,25V,GP,TP,3.6x6.3x3	SA
5	2402-001006	C840	C-AL,SMD	4.7uF,20%,25V,GP,TP,3.6x6.3x3	SA
5	2402-001006	C841	C-AL,SMD	4.7uF,20%,25V,GP,TP,3.6x6.3x3	SA
5	2402-001006	C842	C-AL,SMD	4.7uF,20%,25V,GP,TP,3.6x6.3x3	SA
5	2402-001006	C843	C-AL,SMD	4.7uF,20%,25V,GP,TP,3.6x6.3x3	SA
5	2402-001006	C844	C-AL,SMD	4.7uF,20%,25V,GP,TP,3.6x6.3x3	SA
5	2402-001006	C845	C-AL,SMD	4.7uF,20%,25V,GP,TP,3.6x6.3x3	SA
5	2402-001042	C109	C-AL,SMD	100uF,20%,16V,GP,TP,6.6x6.6x5.4mm	SA
5	2402-001042	C111	C-AL,SMD	100uF,20%,16V,GP,TP,6.6x6.6x5.4mm	SA

Level	Code No.	Loc. No.	Description	Specification	Remarks
5	2402-001042	C112	C-AL,SMD	100uF,20%,16V,GP,TP,6.6x6.6x5.4mm	SA
5	2402-001042	C113	C-AL,SMD	100uF,20%,16V,GP,TP,6.6x6.6x5.4mm	SA
5	2402-001042	C178	C-AL,SMD	100uF,20%,16V,GP,TP,6.6x6.6x5.4mm	SA
5	2402-001042	C201	C-AL,SMD	100uF,20%,16V,GP,TP,6.6x6.6x5.4mm	SA
5	2402-001042	C210	C-AL,SMD	100uF,20%,16V,GP,TP,6.6x6.6x5.4mm	SA
5	2402-001042	C604	C-AL,SMD	100uF,20%,16V,GP,TP,6.6x6.6x5.4mm	SA
5	2402-001042	C606	C-AL,SMD	100uF,20%,16V,GP,TP,6.6x6.6x5.4mm	SA
5	2402-001042	C608	C-AL,SMD	100uF,20%,16V,GP,TP,6.6x6.6x5.4mm	SA
5	2402-001042	C613	C-AL,SMD	100uF,20%,16V,GP,TP,6.6x6.6x5.4mm	SA
5	2402-001042	C622	C-AL,SMD	100uF,20%,16V,GP,TP,6.6x6.6x5.4mm	SA
5	2402-001042	C712	C-AL,SMD	100uF,20%,16V,GP,TP,6.6x6.6x5.4mm	SA
5	2402-001042	C800	C-AL,SMD	100uF,20%,16V,GP,TP,6.6x6.6x5.4mm	SA
5	2402-001044	C184	C-AL,SMD	100UF,20%,25V,GP,TP,8.3X8.3X6.3MM	SA
5	2402-001044	C191	C-AL,SMD	100UF,20%,25V,GP,TP,8.3X8.3X6.3MM	SA
5	2402-001070	C193	C-AL,SMD	470uF,20%,16V,GP,TP,10x10.2,-	SA
5	2402-001081	C110	C-AL,SMD	100uF,20%,25V,WT,TP,8.3x8.3x10	SA
5	2402-001086	C114	C-AL,SMD	100UF,20%,16V,WT,TP,6.6X6.6X5.3	SA
5	2402-001086	C765	C-AL,SMD	100UF,20%,16V,WT,TP,6.6X6.6X5.3	SA
5	2402-001153	C723	C-AL,SMD	100UF,20%,6.3V,WI,TP,6.3X5.8MM	SA
5	2402-001155	C623	C-AL,SMD	47UF,20%,16V,WT,TP,6.3X5.2MM	SA
5	2409-001049	C523	C-ORGANIC	47UF,20%,6.3V,FX,TP,5X5.9MM,-	SA
5	2409-001049	C717	C-ORGANIC	47UF,20%,6.3V,FX,TP,5X5.9MM,-	SA
5	2409-001051	C194	C-ORGANIC	82UF,20%,6.3V,WT,TP,6.3*5.9MM,2.1	SA
5	2409-001051	C708	C-ORGANIC	82UF,20%,6.3V,WT,TP,6.3*5.9MM,2.1	SA
5	2409-001065	C185	C-ORGANIC	82UF,20%,16V,WT,TP,8X6.9MM,-	SA
5	2409-001065	C192	C-ORGANIC	82UF,20%,16V,WT,TP,8X6.9MM,-	SA
5	2703-000185	L803	INDUCTOR-SMD	3.3uH,10%,2012	SA
5	2703-000185	L804	INDUCTOR-SMD	3.3uH,10%,2012	SA
5	2703-000185	L902	INDUCTOR-SMD	3.3uH,10%,2012	SA
5	2703-000185	L903	INDUCTOR-SMD	3.3uH,10%,2012	SA
5	2703-000185	L904	INDUCTOR-SMD	3.3uH,10%,2012	SA
5	2703-000185	L905	INDUCTOR-SMD	3.3uH,10%,2012	SA
5	2703-000185	L908	INDUCTOR-SMD	3.3uH,10%,2012	SA
5	2703-000185	L909	INDUCTOR-SMD	3.3uH,10%,2012	SA
5	2703-000222	L802	INDUCTOR-SMD	560nH,10%,2012	SA
5	2703-000392	L801	INDUCTOR-SMD	10uH,5%,4532	SA
5	2703-000398	L900	INDUCTOR-SMD	10uH,10%,3225	SA
5	2703-000398	L901	INDUCTOR-SMD	10uH,10%,3225	SA
5	2703-000398	L906	INDUCTOR-SMD	10uH,10%,3225	SA
5	2703-000398	L907	INDUCTOR-SMD	10uH,10%,3225	SA
5	2703-000417	L201	INDUCTOR-SMD	220uH,5%,3225	SA
5	2703-001426	L202	INDUCTOR-SMD	680uH,20%,7070	SA
5	2703-001778	FT131	INDUCTOR-SMD	3.3uH,20%,3225	SA
5	2703-002327	L200	INDUCTOR-SMD	3.9uH,5%,3225	SA
5	2801-003667	X701	CRYSTAL-SMD	14.31818MHz,30ppm,28-AAN,16,50ohm,TP	SA
5	2801-004004	X800	CRYSTAL-SMD	20.25MHz,20ppm,28-AAN,13pF,25ohm,TP	SA
5	2901-001114	FT104	FILTER-EMI SMD	25VDC,2.0ADC,-,100nF,3.2x1.6x1	SA
5	2901-001114	FT105	FILTER-EMI SMD	25VDC,2.0ADC,-,100nF,3.2x1.6x1	SA
5	2901-001114	FT106	FILTER-EMI SMD	25VDC,2.0ADC,-,100nF,3.2x1.6x1	SA
5	2901-001114	FT107	FILTER-EMI SMD	25VDC,2.0ADC,-,100nF,3.2x1.6x1	SA
5	2901-001114	FT108	FILTER-EMI SMD	25VDC,2.0ADC,-,100nF,3.2x1.6x1	SA
5	2901-001114	FT109	FILTER-EMI SMD	25VDC,2.0ADC,-,100nF,3.2x1.6x1	SA
5	2901-001114	FT110	FILTER-EMI SMD	25VDC,2.0ADC,-,100nF,3.2x1.6x1	SA
5	2901-001114	FT111	FILTER-EMI SMD	25VDC,2.0ADC,-,100nF,3.2x1.6x1	SA
5	2901-001114	FT112	FILTER-EMI SMD	25VDC,2.0ADC,-,100nF,3.2x1.6x1	SA
5	2901-001114	FT113	FILTER-EMI SMD	25VDC,2.0ADC,-,100nF,3.2x1.6x1	SA
5	2901-001114	FT500	FILTER-EMI SMD	25VDC,2.0ADC,-,100nF,3.2x1.6x1	SA
5	2901-001114	FT701	FILTER-EMI SMD	25VDC,2.0ADC,-,100nF,3.2x1.6x1	SA
5	2901-001114	FT702	FILTER-EMI SMD	25VDC,2.0ADC,-,100nF,3.2x1.6x1	SA
5	2901-001114	FT703	FILTER-EMI SMD	25VDC,2.0ADC,-,100nF,3.2x1.6x1	SA
5	2901-001114	FT704	FILTER-EMI SMD	25VDC,2.0ADC,-,100nF,3.2x1.6x1	SA
5	2901-001114	FT705	FILTER-EMI SMD	25VDC,2.0ADC,-,100nF,3.2x1.6x1	SA
5	2901-001114	FT706	FILTER-EMI SMD	25VDC,2.0ADC,-,100nF,3.2x1.6x1	SA
5	2901-001114	FT708	FILTER-EMI SMD	25VDC,2.0ADC,-,100nF,3.2x1.6x1	SA
5	2901-001114	FT710	FILTER-EMI SMD	25VDC,2.0ADC,-,100nF,3.2x1.6x1	SA
5	2901-001114	FT802	FILTER-EMI SMD	25VDC,2.0ADC,-,100nF,3.2x1.6x1	SA
5	3301-001145	17INCH	BEAD-SMD	60ohm,4516,6000mA,TP,70ohm/45MHz,82ohm/760MHz,0.01ohm	SNA
5	3301-001145	FT100	BEAD-SMD	60ohm,4516,6000mA,TP,70ohm/45MHz,82ohm/760MHz,0.01ohm	SNA
5	3301-001145	FT101	BEAD-SMD	60ohm,4516,6000mA,TP,70ohm/45MHz,82ohm/760MHz,0.01ohm	SNA
5	3301-001145	FT102	BEAD-SMD	60ohm,4516,6000mA,TP,70ohm/45MHz,82ohm/760MHz,0.01ohm	SNA
5	3301-001145	FT11	BEAD-SMD	60ohm,4516,6000mA,TP,70ohm/45MHz,82ohm/760MHz,0.01ohm	SNA
5	3301-001145	FT118	BEAD-SMD	60ohm,4516,6000mA,TP,70ohm/45MHz,82ohm/760MHz,0.01ohm	SNA
5	3301-001145	FT126	BEAD-SMD	60ohm,4516,6000mA,TP,70ohm/45MHz,82ohm/760MHz,0.01ohm	SNA
5	3301-001145	FT127	BEAD-SMD	60ohm,4516,6000mA,TP,70ohm/45MHz,82ohm/760MHz,0.01ohm	SNA
5	3301-001145	FT130	BEAD-SMD	60ohm,4516,6000mA,TP,70ohm/45MHz,82ohm/760MHz,0.01ohm	SNA
5	3301-001145	FT144	BEAD-SMD	60ohm,4516,6000mA,TP,70ohm/45MHz,82ohm/760MHz,0.01ohm	SNA

7 Electrical Parts List

Level	Code No.	Loc. No.	Description	Specification	Remarks
5	3301-001145	FT200	BEAD-SMD	60ohm,4516,6000mA,TP,70ohm/45MHz,82ohm/760MHz,0.01ohm	SNA
5	3301-001145	PAL	BEAD-SMD	60ohm,4516,6000mA,TP,70ohm/45MHz,82ohm/760MHz,0.01ohm	SNA
5	3704-000249	IC702	SOCKET-IC	32P,PLCC,SN,1.27mm	SA
5	3711-002046	CN905	CONNECTOR-HEADER	BOX,12P,1R,1.25MM,SMD-S,SN,WHT	SA
5	3711-005291	CN601	CONNECTOR-HEADER	BOX,2P,1R,2MM,SMD-A,SN,WHT	SA
5	3711-005292	CN600	CONNECTOR-HEADER	BOX,3P,1R,2MM,SMD-A,SN,WHT	SA
5	3711-005470	CN700	CONNECTOR-HEADER	BOX,30P,1R,1.25mm,SMD-A,Sn+Pb,IVR	SA
5	3711-005471	CN907	CONNECTOR-HEADER	BOX,12P,1R,1.25mm,SMD-A,Sn+Pb,IVR	SA
5	BN27-00009A	FT128	COIL CHOKE	SMD 12X12X6,EOS,33UH,15%,-0.12Q,MAX2A,DR10X5.0MM,18.5TS,12X12X6,1.8MM,1UEW 0.	SA
5	BN27-00009A	FT145	COIL CHOKE	SMD 12X12X6,EOS,33UH,15%,-0.12Q,MAX2A,DR10X5.0MM,18.5TS,12X12X6,1.8MM,1UEW 0.	SA
5	BN41-00471A	MP1.0	PCB MAIN	VE17UO,4,1.6,160*160,VE17	SNA
5	BN97-00360J	MICOM1	ASSY MICOM	VE15EO,VCT49XYF,P-VNCP EU,2004-01.27,BN09-00006A	SA
6	BN09-00006A	IC802	IC MICOM	VCT4973-XM C7,144,3.3V,PAL Nicam,PMQFP,TR,0 to +70	SNA
2	BN91-00807E	-	ASSY SHIELD	NEW	SNA
3	6003-000117	SH/TUNER+SH/PAN	SCREW-TAPTITE	BH,+B,M3,L6,ZPC(YEL),SWRCH18A	SNA
3	6003-000259	SH/PAN+C/F	SCREW-TAPTITE	BH,+B,M3,L8,ZPC(YEL),SWRCH18A	SNA
3	6003-000259	SH/PAN+IP/PCB	SCREW-TAPTITE	BH,+B,M3,L8,ZPC(YEL),SWRCH18A	SNA
3	6003-000259	SH/PAN+M/PCB	SCREW-TAPTITE	BH,+B,M3,L8,ZPC(YEL),SWRCH18A	SNA
3	6003-000277	SH/PAN+IP/PCB	SCREW-TAPTITE	BH,+B,M3,L12,ZPC(YEL),SWRCH18	SNA
3	BN39-00474A	CIS	LEAD CONNECTOR	KD17NS,UL1571#30,UL/CSA,30P,130MM,#30,FI-X30H,12507HS-30L,BK,1571#30,SJ03-01-536	SNA
3	BN44-00111B	CIS	IP BOARD	IP-49135A(T),VE17*(VENICE),1.9mA,7.3mA,48KHZ,4,90V/264VAC,+13V/+5.1V,0 to +50, -	SA
3	BN61-00720A	CIS	HOLDER-INVERTOR	GY17LS,ABS PC ,BLK	SNA
3	BN61-01370A	CIS	HOLDER-JACK	VENICE 17*,ABS V0,T3.0	SNA
3	BN96-01364A	CIS	ASSY MISC P-BRKT PANEL	VENICE 17*	SNA
4	BH68-30003C	CIS	LABEL-00.HIGH,VOLTAGE	SS,ART 100G,30*33,YEL	SNA
4	BN63-01318A	CIS	SHIELD-PANEL(EH)	LT17M2,SECC,T1.0	SNA
4	BN63-01474A	CIS	FELT-STAND	VENICE 20*,FELT,T1.0,10,15	SNA
3	BN96-01395A	CIS	ASSY MISC P-SHIELD TUNER	VE15EO,SPT E T0.5	SNA
2	BN92-01044G	-	ASSY LABEL	VE15EO	SNA
3	AA68-50502A	LABEL	LABEL-00,CONFORMATION	W/P100(G),CTV,ITALY,170x110,BL	SNA
3	BN68-00614A	LABEL	LABEL RATING-00	ALL,SS,PE,T0.05,90*45,BLK,POLYESTER,NO SILK	SNA
2	BN92-01068M	-	ASSY BOX	VC17EO	SNA
3	BH68-00329D	BOX	LABEL BAR CODE-01	NO CE,NO WT Y,MPRII,LABEL-BARCODE,MOJO 90G,90,95,WHT	SNA
3	BH75-10529C	BOX	UNIT-HANDLE/PACKING	S/M170MP,PE-LD,PE-HD,-,WHITE,-	SA
4	BN72-60001A	CIS	LEVER-TOP	LSD210TL,PE-LD,WHITE,TFT_LCD	SNA
4	BN72-60002C	CIS	LEVER-BOTTOM	S/M170MP,PE-HD,BLUE	SNA
3	BN69-00847D	BOX	BOX-00	VC17E*,SW4 A YEL,EUROPE(CIS)	SNA
2	BN92-01071B	-	ASSY P/MATERIAL	VC17UO	SNA
3	6902-000379	P/M	BAG AIR	HDPE,T0.2,L1800,W1000,TRP,,PAPER	SNA
3	6902-000520	P/M	BAG PE	HDPE(NITRON(DOUBLE),T0.015/T0.5(DOUBLE),W700,L700,TRP,28 LANGUAGE-2-	SNA
3	6902-000604	P/M	BAG WRAPPING	LDPE,T0.02,W500,L10000,TRP,-,-	SNA
3	6902-000609	P/M	BAG ROLL	LDPE,T0.05,W2400,L1000,TRP,-,-	SNA
3	BH69-00457B	P/M	PACKING-PAD BOTTOM	GH15,FOAM,T3.0,930,1000	SNA
3	BH69-40303A	P/M	PACKING-PALLET	CST7677,WOOD,-,-,W1070,L1050,H120,-,-,-	SNA
3	BH69-40321A	P/M	PACKING-PAD	SW-4,W2155*L140,-,DEC,-,-,-,-	SNA
3	BN68-00129A	P/M	LABEL SHIPPING-00	-,LABEL SHIPPING,ART-PAPER,100G,-,WHT,BLACK,-,-,-	SNA
3	BN69-00140P	P/M	PAD-PALLET COVER	SUN15,SW,1000*3780,1310,-,-,-,-,-	SNA
3	BN69-00140T	P/M	PAD-PALLET COVER	SUN(LSA810),SW,900,3760,-,-,-,-,-	SNA
3	BN69-00808A	P/M	CUSHION-L,R	LT17M2,EPS M50	SNA
2	BN92-01072A	-	ASSY ACCESSORY	VC17EO	SNA
3	BN59-00437A	ACCESSORY	REMOCON	TM79,Single Micom,36,EX,NT,EX,VENICE	SA
3	BN96-00952W	UNIT/ACCESSORY	ASSY ACCESSORY	VE15EO	SA
4	6801-001014	ACCESSORY	CARD-REGISTRATION	XEU,ENG,MOJO100,L150,W392,-,-	SNA
4	6801-001015	ACCESSORY	CARD-REGISTRATION	XEG,GERMAN,MOJO100,L150,W392,-,-	SNA
4	6801-001016	ACCESSORY	CARD-REGISTRATION	XEF,FRENCH,MOJO100,L150,W392,-,-	SNA
4	6801-001017	ACCESSORY	CARD-REGISTRATION	XEC,SPANISH,MOJO100,L150,W392,-,-	SNA
4	6801-001018	ACCESSORY	CARD-REGISTRATION	XET,ITALY,MOJO100,L150,W392,-,-	SNA
4	6801-001019	ACCESSORY	CARD-REGISTRATION	XEN,DUTCH,MOJO100,L150,W392,-,-	SNA
4	6801-001020	ACCESSORY	CARD-REGISTRATION	XEP,PORTUGAL,MOJO100,L150,W392,-,-	SNA

Level	Code No.	Loc. No.	Description	Specification	Remarks
4	6902-000110	ACCESSORY	BAG PE	LDPE,T0.05,L356,W240,TRP,28,2,PE MARK	SNA
4	AA68-00291A	ACCESSORY	MANUAL-S/NETWORK	-,SPANISH,-,B5,W/P100G,-	SNA
4	AA68-01092B	ACCESSORY	MANUAL-S/NETWORK	,ITA,B5,W/P100(G),1,1P	SNA
4	AA68-03242A	ACCESSORY	MANUAL-01,SAFETY GUIDE	NT/PAL ALL MODEL,E/F/S/I/G/SC/ST/J/P,R,B5	SNA
4	BN68-00514A	ACCESSORY	MANUAL-WARRANTY CARD	PDP/LCD TV,EN,FR,DE, ETC,W/P 120g	SNA
4	BN68-00633C	ACCESSORY	MANUAL USERS-02	LW15/17/20M,SAMSUNG,E/F/G/D/I/S/P,W.Europe,Mojo 120/100g,B5	SNA
3	BN96-01270A	ACCESSORY	ASSY MISC P-BRKT WALL	VE15UO	SNA
4	BN61-01162A	CIS	BRACKET-WALL	VE15,SECC,2.0	SNA
4	BN96-01272A	CIS	ASSY MISC P-SCREW	VE15UO	SNA
3	BN96-01296G	UNIT/ACCESSORY	ASSY ACCESSORY	VC17EO	SNA
4	3903-000145	ACCESSORY	CBF-POWER CORD	DT,EU,FP3YES,U/IEC C13-RA),250/250V,10-16/10A,BLK,1830MM,-,H05VV-F 3X1.0MM ² ,FL	SA
4	4301-000121	ACCESSORY	BATTERY-MN	1.5V,-,AAA,10.5x44.5m,HOLDER	SA
4	6902-000110	ACCESSORY	BAG PE	LDPE,T0.05,L356,W240,TRP,28,2,PE MARK	SNA

7-1-2 LW17M24C Others

Level	Code No.	Loc. No.	Description	Specification	Remarks
2	BN90-00647X	-	ASSY COVER FRONT	VC17EO	SNA
3	6003-001003	C/F+C/R	SCREW-TAPTITE	BH,+B,M4,L12,ZPC(BLK),SWRCH18	SA
3	BN96-01255B	C/F	ASSY COVER P-FRONT	VC17EO,ABS V0	SNA
4	6003-000010	C/F	SCREW-TAPTITE	BWH,+B,M3,L10,ZPC(YEL),SWRCH1	SNA
4	6003-000259	C/F	SCREW-TAPTITE	BH,+B,M3,L8,ZPC(YEL),SWRCH18A	SNA
4	AA60-00091E	C/F	SPACER-FELT	-,FELT,100X10,-,-,BLK,T0.5,-,-	SNA
4	AA60-00091K	C/F	SPACER-FELT	-,FELT,330X10,-,-,BLK,T0.35,-,-	SNA
4	AA60-00091S	C/F	SPACER-FELT	61L2,FELT,30*10,BLK,T0.5	SNA
4	BN63-01315A	C/F	COVER-FRONT MIIDDLE	LT17M2,ABS,V0	SNA
4	BN63-01316B	C/F	COVER-FRONT BEZEL	VC17EO,ABS,V0	SNA
4	BN63-01474C	C/F	FELT	VENICE 17*,FELT,T0.35,20,300	SNA
4	BN64-00031A	C/F	BADGE-BRAND	RB15AS,AL,T1.4.6.3,40.1,SILIVER,SAMSUNG(G/S)	SNA
4	BN64-00254A	C/F	KNOB-FUNCTION	LT15M2,ABS,HB,BK19	SNA
4	BN67-00119A	C/F	LENS-IR	LT20M2,ACRYL,CLEAR	SA
4	BN96-01155B	C/F	ASSY BOARD P-FUNCTION IR	VE20UO,FUNCTION/IR	SNA
4	BN96-01163A	C/F	ASSY SPEAKER P	16ohm,Venice,Right,3W,300mm	SNA
4	BN96-01164A	C/F	ASSY SPEAKER P	16ohm,Venice,Left,3W,150mm	SNA
2	BN90-00656Q	-	ASSY COVER REAR	VC17EO	SNA
3	6003-001003	C/F+C/R+STD	SCREW-TAPTITE	BH,+B,M4,L12,ZPC(BLK),SWRCH18	SA
3	BN96-01256B	C/R	ASSY COVER P-REAR	VC17EO,ABS V0	SNA
4	AA60-00091K	C/R	SPACER-FELT	-,FELT,330X10,-,-,BLK,T0.35,-,-	SNA
4	AA60-00091S	C/R	SPACER-FELT	61L2,FELT,30*10,BLK,T0.5	SNA
4	BN63-01178B	C/R	COVER-INLAY	VE15EO,PC SHEET,T0.5	SNA
4	BN63-01317A	C/R	COVER-REAR	LT17M2,ABS,V0	SNA
2	BN90-00657F	-	ASSY STAND	VC17UO	SNA
3	BN96-01335A	STD	ASSY STAND P	VC17**,ABS HB	SNA
4	6003-000259	STD	SCREW-TAPTITE	BH,+B,M3,L8,ZPC(YEL),SWRCH18A	SNA
4	6003-001185	STD	SCREW-TAPTITE	FH,+B,M3,L8,NI PLT,SWRCH18A	SNA
4	BN61-00811A	STD	STAND-COVER	LT15M2,ABS HB	SNA
4	BN61-00812A	STD	STAND-SUB COVER	LT15M2,ABS HB	SNA
4	BN61-00813A	STD	STAND-BRKT BOTTOM	LT15M2,SECC,T1.0	SNA
4	BN73-60002C	STD	RUBBER FOOT	VENICE 15*,RUBBER,DIA 14,1.0,BLACK	SNA
4	BN96-01162B	STD	ASSY MISC P-HINGE	VC17UO,DIE CASTING T2.5	SNA

7 Electrical Parts List

Level	Loc. No.	Code No.	Description	Specification	Remarks
2	BN91-00567H	-	ASSY LCD-S5	ES17,S5	SNA
3	BN07-00113A	CIS	LCD	LTM170EH-L05,ES17AS,1280*1024,383.5*298*15,16.19M,56,0.264*0.264-0-55,5.0,TN,-	SA
2	BN91-00801K	-	ASSY CHASSIS	VC17EO	SA

7-2-1 LW20M21C Main PCB Parts

Level	Code No.	Loc. No.	Description	Specification	Remarks
0	VE20EO	-	1	CHIMEI	-
1	CP-VE20EO	-	ASSSA SMD	VE20EO	SNA
4	BSNA97-00359Z	-			
5	0401-001056	D200	DIODE-SWITCHISNAG	MMBD4148SE,100V,200MA,SOT-23,TP	SA
5	0401-001056	D600	DIODE-SWITCHISNAG	MMBD4148SE,100V,200MA,SOT-23,TP	SA
5	0401-001056	D701	DIODE-SWITCHISNAG	MMBD4148SE,100V,200MA,SOT-23,TP	SA
5	0401-001056	D702	DIODE-SWITCHISNAG	MMBD4148SE,100V,200MA,SOT-23,TP	SA
5	0401-001056	D800	DIODE-SWITCHISNAG	MMBD4148SE,100V,200MA,SOT-23,TP	SA
5	0401-001056	D908	DIODE-SWITCHISNAG	MMBD4148SE,100V,200MA,SOT-23,TP	SA
5	0401-001056	D909	DIODE-SWITCHISNAG	MMBD4148SE,100V,200MA,SOT-23,TP	SA
5	0401-001056	D910	DIODE-SWITCHISNAG	MMBD4148SE,100V,200MA,SOT-23,TP	SA
5	0401-001056	D912	DIODE-SWITCHISNAG	MMBD4148SE,100V,200MA,SOT-23,TP	SA
5	0401-001056	D913	DIODE-SWITCHISNAG	MMBD4148SE,100V,200MA,SOT-23,TP	SA
5	0401-001056	D915	DIODE-SWITCHISNAG	MMBD4148SE,100V,200MA,SOT-23,TP	SA
5	0401-001056	D948	DIODE-SWITCHISNAG	MMBD4148SE,100V,200MA,SOT-23,TP	SA
5	0401-001056	D949	DIODE-SWITCHISNAG	MMBD4148SE,100V,200MA,SOT-23,TP	SA
5	0401-001056	D951	DIODE-SWITCHISNAG	MMBD4148SE,100V,200MA,SOT-23,TP	SA
5	0401-001056	D952	DIODE-SWITCHISNAG	MMBD4148SE,100V,200MA,SOT-23,TP	SA
5	0401-001056	D953	DIODE-SWITCHISNAG	MMBD4148SE,100V,200MA,SOT-23,TP	SA
5	0401-001056	D954	DIODE-SWITCHISNAG	MMBD4148SE,100V,200MA,SOT-23,TP	SA
5	0401-001056	D955	DIODE-SWITCHISNAG	MMBD4148SE,100V,200MA,SOT-23,TP	SA
5	0401-001056	D956	DIODE-SWITCHISNAG	MMBD4148SE,100V,200MA,SOT-23,TP	SA
5	0401-001056	D957	DIODE-SWITCHISNAG	MMBD4148SE,100V,200MA,SOT-23,TP	SA
5	0402-000553	D101	DIODE-RECTIFIER	SS24,40V,2.0A,DO-214AA	SA
5	0402-000553	D102	DIODE-RECTIFIER	SS24,40V,2.0A,DO-214AA	SA
5	0403-000579	D904	DIODE-ZESNAER	BZX84C5V1,4.8-5.4V,200MW,SOT-23,TP	SA
5	0403-000579	D916	DIODE-ZESNAER	BZX84C5V1,4.8-5.4V,200MW,SOT-23,TP	SA
5	0403-000579	D917	DIODE-ZESNAER	BZX84C5V1,4.8-5.4V,200MW,SOT-23,TP	SA
5	0403-000579	D918	DIODE-ZESNAER	BZX84C5V1,4.8-5.4V,200MW,SOT-23,TP	SA
5	0403-000579	D919	DIODE-ZESNAER	BZX84C5V1,4.8-5.4V,200MW,SOT-23,TP	SA
5	0403-000579	D920	DIODE-ZESNAER	BZX84C5V1,4.8-5.4V,200MW,SOT-23,TP	SA
5	0403-000579	D928	DIODE-ZESNAER	BZX84C5V1,4.8-5.4V,200MW,SOT-23,TP	SA
5	0403-000579	D950	DIODE-ZESNAER	BZX84C5V1,4.8-5.4V,200MW,SOT-23,TP	SA
5	0403-001048	D944	DIODE-ZESNAER	BZX84C16,15.3-17.1V,225MW,SOT-23,TP	SA
5	0403-001052	D603	DIODE-ZESNAER	RD8.2MB,7.7-8.7V,200MW,SOT-23,TP	SA
5	0403-001052	D604	DIODE-ZESNAER	RD8.2MB,7.7-8.7V,200MW,SOT-23,TP	SA
5	0403-001052	D900	DIODE-ZESNAER	RD8.2MB,7.7-8.7V,200MW,SOT-23,TP	SA
5	0403-001052	D901	DIODE-ZESNAER	RD8.2MB,7.7-8.7V,200MW,SOT-23,TP	SA
5	0403-001052	D902	DIODE-ZESNAER	RD8.2MB,7.7-8.7V,200MW,SOT-23,TP	SA
5	0403-001052	D903	DIODE-ZESNAER	RD8.2MB,7.7-8.7V,200MW,SOT-23,TP	SA
5	0403-001052	D905	DIODE-ZESNAER	RD8.2MB,7.7-8.7V,200MW,SOT-23,TP	SA
5	0403-001052	D906	DIODE-ZESNAER	RD8.2MB,7.7-8.7V,200MW,SOT-23,TP	SA
5	0403-001052	D911	DIODE-ZESNAER	RD8.2MB,7.7-8.7V,200MW,SOT-23,TP	SA
5	0403-001052	D914	DIODE-ZESNAER	RD8.2MB,7.7-8.7V,200MW,SOT-23,TP	SA
5	0403-001052	D921	DIODE-ZESNAER	RD8.2MB,7.7-8.7V,200MW,SOT-23,TP	SA
5	0403-001052	D922	DIODE-ZESNAER	RD8.2MB,7.7-8.7V,200MW,SOT-23,TP	SA
5	0403-001052	D923	DIODE-ZESNAER	RD8.2MB,7.7-8.7V,200MW,SOT-23,TP	SA
5	0403-001052	D924	DIODE-ZESNAER	RD8.2MB,7.7-8.7V,200MW,SOT-23,TP	SA
5	0403-001052	D925	DIODE-ZESNAER	RD8.2MB,7.7-8.7V,200MW,SOT-23,TP	SA
5	0403-001052	D926	DIODE-ZESNAER	RD8.2MB,7.7-8.7V,200MW,SOT-23,TP	SA
5	0403-001052	D927	DIODE-ZESNAER	RD8.2MB,7.7-8.7V,200MW,SOT-23,TP	SA
5	0403-001052	D930	DIODE-ZESNAER	RD8.2MB,7.7-8.7V,200MW,SOT-23,TP	SA
5	0403-001052	D932	DIODE-ZESNAER	RD8.2MB,7.7-8.7V,200MW,SOT-23,TP	SA
5	0403-001052	D934	DIODE-ZESNAER	RD8.2MB,7.7-8.7V,200MW,SOT-23,TP	SA
5	0403-001052	D936	DIODE-ZESNAER	RD8.2MB,7.7-8.7V,200MW,SOT-23,TP	SA

Level	Code No.	Loc. No.	Description	Specification	Remarks
5	0403-001052	D940	DIODE-ZESNAER	RD8.2MB,7.7-8.7V,200MW,SOT-23,TP	SA
5	0403-001052	D941	DIODE-ZESNAER	RD8.2MB,7.7-8.7V,200MW,SOT-23,TP	SA
5	0403-001052	D942	DIODE-ZESNAER	RD8.2MB,7.7-8.7V,200MW,SOT-23,TP	SA
5	0403-001052	D945	DIODE-ZESNAER	RD8.2MB,7.7-8.7V,200MW,SOT-23,TP	SA
5	0403-001052	D946	DIODE-ZESNAER	RD8.2MB,7.7-8.7V,200MW,SOT-23,TP	SA
5	0403-001052	D947	DIODE-ZESNAER	RD8.2MB,7.7-8.7V,200MW,SOT-23,TP	SA
5	0403-001425	D201	DIODE-ZESNAER	BZX84C33,31-35V,350MW,SOT-23,TP	SA
5	0403-001435	D602	DIODE-ZESNAER	QZX363C5V6,5.32-5.88V,200MW,SOT-363,TP	SA
5	0407-000123	D601	DIODE-ARRASA	DASNA202K,80V,100MA,CA2-3,SOT-23,TP	SA
5	0407-000123	D907	DIODE-ARRASA	DASNA202K,80V,100MA,CA2-3,SOT-23,TP	SA
5	0501-000280	Q801	TR-SMALL SIGSNAAL	KSA1182,PSNAP,150mW,SOT-23,TP,70	SA
5	0501-000280	Q802	TR-SMALL SIGSNAAL	KSA1182,PSNAP,150mW,SOT-23,TP,70	SA
5	0501-000280	Q803	TR-SMALL SIGSNAAL	KSA1182,PSNAP,150mW,SOT-23,TP,70	SA
5	0501-000280	Q804	TR-SMALL SIGSNAAL	KSA1182,PSNAP,150mW,SOT-23,TP,70	SA
5	0501-000342	Q200	TR-SMALL SIGSNAAL	KSC1623-SA,SNAPSNA,200mW,SOT-23,TP,135-270	SA
5	0501-000342	Q600	TR-SMALL SIGSNAAL	KSC1623-SA,SNAPSNA,200mW,SOT-23,TP,135-270	SA
5	0501-000342	Q601	TR-SMALL SIGSNAAL	KSC1623-SA,SNAPSNA,200mW,SOT-23,TP,135-270	SA
5	0501-000342	Q602	TR-SMALL SIGSNAAL	KSC1623-SA,SNAPSNA,200mW,SOT-23,TP,135-270	SA
5	0501-000342	Q603	TR-SMALL SIGSNAAL	KSC1623-SA,SNAPSNA,200mW,SOT-23,TP,135-270	SA
5	0501-000342	Q800	TR-SMALL SIGSNAAL	KSC1623-SA,SNAPSNA,200mW,SOT-23,TP,135-270	SA
5	0501-000342	Q902	TR-SMALL SIGSNAAL	KSC1623-SA,SNAPSNA,200mW,SOT-23,TP,135-270	SA
5	0501-000344	Q809	TR-SMALL SIGSNAAL	KSC1623-G,SNAPSNA,200mW,SOT-23,TP,	SA
5	0501-002080	Q100	TR-SMALL SIGSNAAL	2SC2412K,SNAPSNA,200mW,SC-59,TP,120-270	SA
5	0501-002080	Q101	TR-SMALL SIGSNAAL	2SC2412K,SNAPSNA,200mW,SC-59,TP,120-270	SA
5	0501-002080	Q104	TR-SMALL SIGSNAAL	2SC2412K,SNAPSNA,200mW,SC-59,TP,120-270	SA
5	0501-002080	Q805	TR-SMALL SIGSNAAL	2SC2412K,SNAPSNA,200mW,SC-59,TP,120-270	SA
5	0501-002080	Q810	TR-SMALL SIGSNAAL	2SC2412K,SNAPSNA,200mW,SC-59,TP,120-270	SA
5	0501-002080	Q900	TR-SMALL SIGSNAAL	2SC2412K,SNAPSNA,200mW,SC-59,TP,120-270	SA
5	0501-002080	Q901	TR-SMALL SIGSNAAL	2SC2412K,SNAPSNA,200mW,SC-59,TP,120-270	SA
5	0801-002267	IC903	IC-CMOS LOGIC	74LCX14-,SOIC,14P,150MIL,-,TP,-,-,3.6V,-40TO+85C,-,5.5V,-,24MA	SA
5	0801-002716	IC902	IC-CMOS LOGIC	74LCX157,MULTIPLEXER,SOIC,16P,150MIL,QUAD,TP,PLASTIC,-,0V,-40TO+85C,-,0V,10UA	SA
5	0909-001036	IC706	IC-REAL TIME CLOCK	DS1337S,-,SO,8P,150MIL,400KHZ,TP,CMOS,PLASTIC,3.3V,-,40TO+85C,-,,-,-,-	SA
5	1001-001082	IC501	IC-VIDEO SWITCH	BA7657F,-,SOP,24P,300MIL,SISNAEL	SA
5	1003-001713	IC704	IC-LCD COSNATROLLER	GM2221,PQFP,208P,-,,-,TR,PLASTIC,3.3V,0to+70C,-,,-,-	SA
5	1103-000129	IC900	IC-EEPROM	24C02,256x8,SOP,8P,5x4mm,4.5/5.5V,0to+70C	SA
5	1103-001314	IC705	IC-EEPROM	24C16,2Kx8,SOP,8P,5x4mm,2.7/5.5V,-40to+85C	SA
5	1103-001314	IC805	IC-EEPROM	24C16,2Kx8,SOP,8P,5x4mm,2.7/5.5V,-40to+85C	SA
5	1201-001495	IC601	IC-AUDIO AMP	7050,SOP,8P,150MIL,DUAL,26DB,PLASTIC,6V,0.25W,-,40DB,-,20SNAA,-	SA
5	1201-001980	IC600	IC-AUDIO AMP	TDA7266D,SO,20P,16x11.1MM,-,26DB,PLASTIC,12V,25W,0TO+70C,-,,-,-,TP	SA
5	1203-001816	IC109	IC-POSI.FIXED REG.	78M08,TO-252,3P,-,PLASTIC,7.78.3V,1.0W,-40TO+85C,0.5A,-,TP	SA
5	1203-001824	IC300	IC-VOL. DETECTOR	7042,SOT-89,3P,-,PLASTIC,4.05V/4.35V,500MW,-30TO+75C,20MA,-,TP	SA
5	1203-002842	IC101	IC-POSI.FIXED REG.	AP1117D-33A,TO-252,3P,6.7X5.6MM,PLASTIC,3.235/3.365V,-,0TO+150C,1A,-,TP	SA
5	1203-002842	IC111	IC-POSI.FIXED REG.	AP1117D-33A,TO-252,3P,6.7X5.6MM,PLASTIC,3.235/3.365V,-,0TO+150C,1A,-,TP	SA
5	1203-002844	IC105	IC-POSI.FIXED REG.	AP1117D-18A,TO-252-3L,3P,6.7X5.6MM,PLASTIC,1.764/1.836V,-,0TO+150C,1A,-,TP	SA
5	1203-002844	IC112	IC-POSI.FIXED REG.	AP1117D-18A,TO-252-3L,3P,6.7X5.6MM,PLASTIC,1.764/1.836V,-,0TO+150C,1A,-,TP	SA
5	1203-003015	IC108	IC-DC/DC COSNAVERTER	MP1410ES,SOIC,8P,4.9x3.9mm,PLASTIC,2.5/5V,-,20to+85C,2A,-,TP	SA
5	1203-003015	IC110	IC-DC/DC COSNAVERTER	MP1410ES,SOIC,8P,4.9x3.9mm,PLASTIC,2.5/5V,-,20to+85C,2A,-,TP	SA
5	2007-000052	R738	R-CHIP	10Kohm,1%,1/10W,TP,1608	SA
5	2007-000052	R739	R-CHIP	10Kohm,1%,1/10W,TP,1608	SA
5	2007-000052	R8126	R-CHIP	10Kohm,1%,1/10W,TP,1608	SA
5	2007-000052	R915	R-CHIP	10Kohm,1%,1/10W,TP,1608	SA
5	2007-000052	R916	R-CHIP	10Kohm,1%,1/10W,TP,1608	SA
5	2007-000070	R205	R-CHIP	0ohm,5%,1/10W,TP,1608	SA
5	2007-000070	R207	R-CHIP	0ohm,5%,1/10W,TP,1608	SA
5	2007-000070	R208	R-CHIP	0ohm,5%,1/10W,TP,1608	SA
5	2007-000070	R209	R-CHIP	0ohm,5%,1/10W,TP,1608	SA
5	2007-000070	R311	R-CHIP	0ohm,5%,1/10W,TP,1608	SA
5	2007-000070	R312	R-CHIP	0ohm,5%,1/10W,TP,1608	SA
5	2007-000070	R734	R-CHIP	0ohm,5%,1/10W,TP,1608	SA
5	2007-000070	R781	R-CHIP	0ohm,5%,1/10W,TP,1608	SA
5	2007-000070	R803	R-CHIP	0ohm,5%,1/10W,TP,1608	SA
5	2007-000070	R8104	R-CHIP	0ohm,5%,1/10W,TP,1608	SA
5	2007-000070	R8105	R-CHIP	0ohm,5%,1/10W,TP,1608	SA
5	2007-000070	R837	R-CHIP	0ohm,5%,1/10W,TP,1608	SA
5	2007-000070	R841	R-CHIP	0ohm,5%,1/10W,TP,1608	SA
5	2007-000070	R842	R-CHIP	0ohm,5%,1/10W,TP,1608	SA
5	2007-000070	R845	R-CHIP	0ohm,5%,1/10W,TP,1608	SA
5	2007-000070	R850	R-CHIP	0ohm,5%,1/10W,TP,1608	SA
5	2007-000070	R851	R-CHIP	0ohm,5%,1/10W,TP,1608	SA
5	2007-000070	R856	R-CHIP	0ohm,5%,1/10W,TP,1608	SA
5	2007-000070	R857	R-CHIP	0ohm,5%,1/10W,TP,1608	SA
5	2007-000070	R859	R-CHIP	0ohm,5%,1/10W,TP,1608	SA

Level	Code No.	Loc. No.	Description	Specification	Remarks
5	2007-000074	R959	R-CHIP	100ohm,5%,1/10W,TP,1608	SA
5	2007-000074	R960	R-CHIP	100ohm,5%,1/10W,TP,1608	SA
5	2007-000074	R961	R-CHIP	100ohm,5%,1/10W,TP,1608	SA
5	2007-000074	R962	R-CHIP	100ohm,5%,1/10W,TP,1608	SA
5	2007-000074	R963	R-CHIP	100ohm,5%,1/10W,TP,1608	SA
5	2007-000074	R964	R-CHIP	100ohm,5%,1/10W,TP,1608	SA
5	2007-000074	R968	R-CHIP	100ohm,5%,1/10W,TP,1608	SA
5	2007-000075	R940	R-CHIP	220ohm,5%,1/10W,TP,1608	SA
5	2007-000075	R942	R-CHIP	220ohm,5%,1/10W,TP,1608	SA
5	2007-000076	R200	R-CHIP	330ohm,5%,1/10W,TP,1608	SA
5	2007-000077	R750	R-CHIP	470ohm,5%,1/10W,TP,1608	SA
5	2007-000077	R751	R-CHIP	470ohm,5%,1/10W,TP,1608	SA
5	2007-000077	R802	R-CHIP	470ohm,5%,1/10W,TP,1608	SA
5	2007-000078	R604	R-CHIP	1Kohm,5%,1/10W,TP,1608	SA
5	2007-000078	R611	R-CHIP	1Kohm,5%,1/10W,TP,1608	SA
5	2007-000078	R619	R-CHIP	1Kohm,5%,1/10W,TP,1608	SA
5	2007-000078	R623	R-CHIP	1Kohm,5%,1/10W,TP,1608	SA
5	2007-000078	R725	R-CHIP	1Kohm,5%,1/10W,TP,1608	SA
5	2007-000078	R839	R-CHIP	1Kohm,5%,1/10W,TP,1608	SA
5	2007-000078	R864	R-CHIP	1Kohm,5%,1/10W,TP,1608	SA
5	2007-000078	R927	R-CHIP	1Kohm,5%,1/10W,TP,1608	SA
5	2007-000078	R928	R-CHIP	1Kohm,5%,1/10W,TP,1608	SA
5	2007-000078	R931	R-CHIP	1Kohm,5%,1/10W,TP,1608	SA
5	2007-000078	R932	R-CHIP	1Kohm,5%,1/10W,TP,1608	SA
5	2007-000080	R512	R-CHIP	2Kohm,5%,1/10W,TP,1608	SA
5	2007-000081	R624	R-CHIP	2.7Kohm,5%,1/10W,TP,1608	SA
5	2007-000081	R625	R-CHIP	2.7Kohm,5%,1/10W,TP,1608	SA
5	2007-000081	R8145	R-CHIP	2.7Kohm,5%,1/10W,TP,1608	SA
5	2007-000081	R858	R-CHIP	2.7Kohm,5%,1/10W,TP,1608	SA
5	2007-000082	R8017	R-CHIP	3.3Kohm,5%,1/10W,TP,1608	SA
5	2007-000082	R8106	R-CHIP	3.3Kohm,5%,1/10W,TP,1608	SA
5	2007-000082	R934	R-CHIP	3.3Kohm,5%,1/10W,TP,1608	SA
5	2007-000084	R600	R-CHIP	4.7Kohm,5%,1/10W,TP,1608	SA
5	2007-000084	R601	R-CHIP	4.7Kohm,5%,1/10W,TP,1608	SA
5	2007-000084	R607	R-CHIP	4.7Kohm,5%,1/10W,TP,1608	SA
5	2007-000084	R609	R-CHIP	4.7Kohm,5%,1/10W,TP,1608	SA
5	2007-000084	R800	R-CHIP	4.7Kohm,5%,1/10W,TP,1608	SA
5	2007-000084	R801	R-CHIP	4.7Kohm,5%,1/10W,TP,1608	SA
5	2007-000084	R8119	R-CHIP	4.7Kohm,5%,1/10W,TP,1608	SA
5	2007-000084	R8120	R-CHIP	4.7Kohm,5%,1/10W,TP,1608	SA
5	2007-000084	R855	R-CHIP	4.7Kohm,5%,1/10W,TP,1608	SA
5	2007-000084	R914	R-CHIP	4.7Kohm,5%,1/10W,TP,1608	SA
5	2007-000084	R924	R-CHIP	4.7Kohm,5%,1/10W,TP,1608	SA
5	2007-000084	R929	R-CHIP	4.7Kohm,5%,1/10W,TP,1608	SA
5	2007-000084	R930	R-CHIP	4.7Kohm,5%,1/10W,TP,1608	SA
5	2007-000087	R173	R-CHIP	6.8Kohm,5%,1/10W,TP,1608	SA
5	2007-000087	R852	R-CHIP	6.8Kohm,5%,1/10W,TP,1608	SA
5	2007-000087	R853	R-CHIP	6.8Kohm,5%,1/10W,TP,1608	SA
5	2007-000090	R114	R-CHIP	10Kohm,5%,1/10W,TP,1608	SA
5	2007-000090	R128	R-CHIP	10Kohm,5%,1/10W,TP,1608	SA
5	2007-000090	R165	R-CHIP	10Kohm,5%,1/10W,TP,1608	SA
5	2007-000090	R174	R-CHIP	10Kohm,5%,1/10W,TP,1608	SA
5	2007-000090	R516	R-CHIP	10Kohm,5%,1/10W,TP,1608	SA
5	2007-000090	R605	R-CHIP	10Kohm,5%,1/10W,TP,1608	SA
5	2007-000090	R606	R-CHIP	10Kohm,5%,1/10W,TP,1608	SA
5	2007-000090	R608	R-CHIP	10Kohm,5%,1/10W,TP,1608	SA
5	2007-000090	R610	R-CHIP	10Kohm,5%,1/10W,TP,1608	SA
5	2007-000090	R614	R-CHIP	10Kohm,5%,1/10W,TP,1608	SA
5	2007-000090	R615	R-CHIP	10Kohm,5%,1/10W,TP,1608	SA
5	2007-000090	R704	R-CHIP	10Kohm,5%,1/10W,TP,1608	SA
5	2007-000090	R706	R-CHIP	10Kohm,5%,1/10W,TP,1608	SA
5	2007-000090	R713	R-CHIP	10Kohm,5%,1/10W,TP,1608	SA
5	2007-000090	R742	R-CHIP	10Kohm,5%,1/10W,TP,1608	SA
5	2007-000090	R745	R-CHIP	10Kohm,5%,1/10W,TP,1608	SA
5	2007-000090	R746	R-CHIP	10Kohm,5%,1/10W,TP,1608	SA
5	2007-000090	R747	R-CHIP	10Kohm,5%,1/10W,TP,1608	SA
5	2007-000090	R748	R-CHIP	10Kohm,5%,1/10W,TP,1608	SA
5	2007-000090	R749	R-CHIP	10Kohm,5%,1/10W,TP,1608	SA
5	2007-000090	R8121	R-CHIP	10Kohm,5%,1/10W,TP,1608	SA
5	2007-000090	R8143	R-CHIP	10Kohm,5%,1/10W,TP,1608	SA
5	2007-000090	R8144	R-CHIP	10Kohm,5%,1/10W,TP,1608	SA
5	2007-000090	R821	R-CHIP	10Kohm,5%,1/10W,TP,1608	SA

7 Electrical Parts List

Level	Code No.	Loc. No.	Description	Specification	Remarks
5	2007-000090	R879	R-CHIP	10Kohm,5%,1/10W,TP,1608	SA
5	2007-000090	R933	R-CHIP	10Kohm,5%,1/10W,TP,1608	SA
5	2007-000090	R944	R-CHIP	10Kohm,5%,1/10W,TP,1608	SA
5	2007-000090	R965	R-CHIP	10Kohm,5%,1/10W,TP,1608	SA
5	2007-000090	R966	R-CHIP	10Kohm,5%,1/10W,TP,1608	SA
5	2007-000091	R167	R-CHIP	12Kohm,5%,1/10W,TP,1608	SA
5	2007-000093	R612	R-CHIP	20Kohm,5%,1/10W,TP,1608	SA
5	2007-000093	R613	R-CHIP	20Kohm,5%,1/10W,TP,1608	SA
5	2007-000093	R616	R-CHIP	20Kohm,5%,1/10W,TP,1608	SA
5	2007-000094	R202	R-CHIP	22Kohm,5%,1/10W,TP,1608	SA
5	2007-000100	R514	R-CHIP	68Kohm,5%,1/10W,TP,1608	SA
5	2007-000102	R116	R-CHIP	100Kohm,5%,1/10W,TP,1608	SA
5	2007-000102	R120	R-CHIP	100Kohm,5%,1/10W,TP,1608	SA
5	2007-000102	R121	R-CHIP	100Kohm,5%,1/10W,TP,1608	SA
5	2007-000102	R127	R-CHIP	100Kohm,5%,1/10W,TP,1608	SA
5	2007-000102	R201	R-CHIP	100Kohm,5%,1/10W,TP,1608	SA
5	2007-000102	R211	R-CHIP	100Kohm,5%,1/10W,TP,1608	SA
5	2007-000103	R617	R-CHIP	120Kohm,5%,1/10W,TP,1608	SA
5	2007-000107	R510	R-CHIP	470Kohm,5%,1/10W,TP,1608	SA
5	2007-000113	R838	R-CHIP	33ohm,5%,1/10W,TP,1608	SA
5	2007-000113	R843	R-CHIP	33ohm,5%,1/10W,TP,1608	SA
5	2007-000113	R854	R-CHIP	33ohm,5%,1/10W,TP,1608	SA
5	2007-000121	R8109	R-CHIP	820ohm,5%,1/10W,TP,1608	SA
5	2007-000234	R896	R-CHIP	1.3Kohm,5%,1/10W,TP,1608	SA
5	2007-000239	R773	R-CHIP	1.5Kohm,1%,1/10W,TP,1608	SA
5	2007-000239	R774	R-CHIP	1.5Kohm,1%,1/10W,TP,1608	SA
5	2007-000309	790	R-CHIP	10ohm,5%,1/10W,TP,1608	SA
5	2007-000309	R620	R-CHIP	10ohm,5%,1/10W,TP,1608	SA
5	2007-000309	R621	R-CHIP	10ohm,5%,1/10W,TP,1608	SA
5	2007-000309	R788	R-CHIP	10ohm,5%,1/10W,TP,1608	SA
5	2007-000309	R789	R-CHIP	10ohm,5%,1/10W,TP,1608	SA
5	2007-000309	R827	R-CHIP	10ohm,5%,1/10W,TP,1608	SA
5	2007-000309	R830	R-CHIP	10ohm,5%,1/10W,TP,1608	SA
5	2007-000309	R833	R-CHIP	10ohm,5%,1/10W,TP,1608	SA
5	2007-000402	R732	R-CHIP	150ohm,5%,1/10W,TP,1608	SA
5	2007-000402	R733	R-CHIP	150ohm,5%,1/10W,TP,1608	SA
5	2007-000402	R740	R-CHIP	150ohm,5%,1/10W,TP,1608	SA
5	2007-000402	R817	R-CHIP	150ohm,5%,1/10W,TP,1608	SA
5	2007-000402	R818	R-CHIP	150ohm,5%,1/10W,TP,1608	SA
5	2007-000402	R819	R-CHIP	150ohm,5%,1/10W,TP,1608	SA
5	2007-000402	R836	R-CHIP	150ohm,5%,1/10W,TP,1608	SA
5	2007-000402	R840	R-CHIP	150ohm,5%,1/10W,TP,1608	SA
5	2007-000402	R849	R-CHIP	150ohm,5%,1/10W,TP,1608	SA
5	2007-000402	R897	R-CHIP	150ohm,5%,1/10W,TP,1608	SA
5	2007-000402	R925	R-CHIP	150ohm,5%,1/10W,TP,1608	SA
5	2007-000458	R808	R-CHIP	18Kohm,5%,1/10W,TP,1608	SA
5	2007-000539	R828	R-CHIP	200ohm,5%,1/10W,TP,1608	SA
5	2007-000539	R831	R-CHIP	200ohm,5%,1/10W,TP,1608	SA
5	2007-000539	R834	R-CHIP	200ohm,5%,1/10W,TP,1608	SA
5	2007-000570	R926	R-CHIP	220OHM,1%,1/10W,DA,TP,1608	SA
5	2007-000608	R737	R-CHIP	240ohm,5%,1/10W,TP,1608	SA
5	2007-000643	R826	R-CHIP	270ohm,5%,1/10W,TP,1608	SA
5	2007-000643	R829	R-CHIP	270ohm,5%,1/10W,TP,1608	SA
5	2007-000643	R832	R-CHIP	270ohm,5%,1/10W,TP,1608	SA
5	2007-000659	R899	R-CHIP	27ohm,5%,1/10W,TP,1608	SA
5	2007-000708	R169	R-CHIP	3.9Kohm,1%,1/10W,TP,1608	SA
5	2007-000882	R8102	R-CHIP	4.7ohm,5%,1/10W,TP,1608	SA
5	2007-000913	R171	R-CHIP	43Kohm,5%,1/10W,TP,1608	SA
5	2007-000939	R115	R-CHIP	47Kohm,1%,1/10W,TP,1608	SA
5	2007-000965	R168	R-CHIP	5.1Kohm,5%,1/10W,TP,1608	SA
5	2007-000965	R172	R-CHIP	5.1Kohm,5%,1/10W,TP,1608	SA
5	2007-001002	R8101	R-CHIP	510ohm,5%,1/10W,TP,1608	SA
5	2007-001044	R618	R-CHIP	56ohm,5%,1/10W,TP,1608	SA
5	2007-001044	R622	R-CHIP	56ohm,5%,1/10W,TP,1608	SA
5	2007-001101	R888	R-CHIP	62ohm,5%,1/10W,TP,1608	SA
5	2007-001134	R8100	R-CHIP	68ohm,5%,1/10W,TP,1608	SA
5	2007-001164	R501	R-CHIP	75ohm,1%,1/10W,TP,1608	SA
5	2007-001164	R503	R-CHIP	75ohm,1%,1/10W,TP,1608	SA
5	2007-001164	R506	R-CHIP	75ohm,1%,1/10W,TP,1608	SA
5	2007-001164	R735	R-CHIP	75ohm,1%,1/10W,TP,1608	SA
5	2007-001164	R736	R-CHIP	75ohm,1%,1/10W,TP,1608	SA
5	2007-001164	R741	R-CHIP	75ohm,1%,1/10W,TP,1608	SA

Level	Code No.	Loc. No.	Description	Specification	Remarks
5	2007-001164	R902	R-CHIP	75ohm,1%,1/10W,TP,1608	SA
5	2007-001164	R903	R-CHIP	75ohm,1%,1/10W,TP,1608	SA
5	2007-001164	R904	R-CHIP	75ohm,1%,1/10W,TP,1608	SA
5	2007-001164	R917	R-CHIP	75ohm,1%,1/10W,TP,1608	SA
5	2007-001164	R918	R-CHIP	75ohm,1%,1/10W,TP,1608	SA
5	2007-001164	R919	R-CHIP	75ohm,1%,1/10W,TP,1608	SA
5	2007-001164	R946	R-CHIP	75ohm,1%,1/10W,TP,1608	SA
5	2007-001167	R906	R-CHIP	75ohm,5%,1/10W,TP,1608	SA
5	2007-001167	R908	R-CHIP	75ohm,5%,1/10W,TP,1608	SA
5	2007-001167	R909	R-CHIP	75ohm,5%,1/10W,TP,1608	SA
5	2007-001167	R945	R-CHIP	75ohm,5%,1/10W,TP,1608	SA
5	2007-001179	R210	R-CHIP	8.2Kohm,5%,1/10W,TP,1608	SA
5	2011-000002	RA701	R-SNAET	22OHM,5%,1/16W,L,CHIP,8P,TP,3216	SA
5	2011-000002	RA702	R-SNAET	22OHM,5%,1/16W,L,CHIP,8P,TP,3216	SA
5	2011-000002	RA703	R-SNAET	22OHM,5%,1/16W,L,CHIP,8P,TP,3216	SA
5	2011-000002	RA704	R-SNAET	22OHM,5%,1/16W,L,CHIP,8P,TP,3216	SA
5	2011-000002	RA705	R-SNAET	22OHM,5%,1/16W,L,CHIP,8P,TP,3216	SA
5	2011-000002	RA706	R-SNAET	22OHM,5%,1/16W,L,CHIP,8P,TP,3216	SA
5	2011-000881	RA800	R-SNAET	33ohm,5%,1/16W,L,CHIP,8P,TP,3.2x1.6x0.5mm	SA
5	2011-000881	RA808	R-SNAET	33ohm,5%,1/16W,L,CHIP,8P,TP,3.2x1.6x0.5mm	SA
5	2203-000140	C119	C-CER,CHIP	1.5SNAF,10%,50V,X7R,TP,1608,-	SA
5	2203-000140	C120	C-CER,CHIP	1.5SNAF,10%,50V,X7R,TP,1608,-	SA
5	2203-000140	C132	C-CER,CHIP	1.5SNAF,10%,50V,X7R,TP,1608,-	SA
5	2203-000140	C286	C-CER,CHIP	1.5SNAF,10%,50V,X7R,TP,1608,-	SA
5	2203-000140	C314	C-CER,CHIP	1.5SNAF,10%,50V,X7R,TP,1608,-	SA
5	2203-000140	C316	C-CER,CHIP	1.5SNAF,10%,50V,X7R,TP,1608,-	SA
5	2203-000140	C318	C-CER,CHIP	1.5SNAF,10%,50V,X7R,TP,1608,-	SA
5	2203-000140	C334	C-CER,CHIP	1.5SNAF,10%,50V,X7R,TP,1608,-	SA
5	2203-000189	C107	C-CER,CHIP	100SNAF,+80-20%,25V,SA5V,TP,1608,	SA
5	2203-000189	C117	C-CER,CHIP	100SNAF,+80-20%,25V,SA5V,TP,1608,	SA
5	2203-000189	C118	C-CER,CHIP	100SNAF,+80-20%,25V,SA5V,TP,1608,	SA
5	2203-000189	C143	C-CER,CHIP	100SNAF,+80-20%,25V,SA5V,TP,1608,	SA
5	2203-000189	C163	C-CER,CHIP	100SNAF,+80-20%,25V,SA5V,TP,1608,	SA
5	2203-000189	C175	C-CER,CHIP	100SNAF,+80-20%,25V,SA5V,TP,1608,	SA
5	2203-000189	C179	C-CER,CHIP	100SNAF,+80-20%,25V,SA5V,TP,1608,	SA
5	2203-000189	C183	C-CER,CHIP	100SNAF,+80-20%,25V,SA5V,TP,1608,	SA
5	2203-000189	C190	C-CER,CHIP	100SNAF,+80-20%,25V,SA5V,TP,1608,	SA
5	2203-000189	C203	C-CER,CHIP	100SNAF,+80-20%,25V,SA5V,TP,1608,	SA
5	2203-000189	C217	C-CER,CHIP	100SNAF,+80-20%,25V,SA5V,TP,1608,	SA
5	2203-000189	C607	C-CER,CHIP	100SNAF,+80-20%,25V,SA5V,TP,1608,	SA
5	2203-000189	C609	C-CER,CHIP	100SNAF,+80-20%,25V,SA5V,TP,1608,	SA
5	2203-000189	C615	C-CER,CHIP	100SNAF,+80-20%,25V,SA5V,TP,1608,	SA
5	2203-000189	C620	C-CER,CHIP	100SNAF,+80-20%,25V,SA5V,TP,1608,	SA
5	2203-000189	C745	C-CER,CHIP	100SNAF,+80-20%,25V,SA5V,TP,1608,	SA
5	2203-000189	C754	C-CER,CHIP	100SNAF,+80-20%,25V,SA5V,TP,1608,	SA
5	2203-000189	C763	C-CER,CHIP	100SNAF,+80-20%,25V,SA5V,TP,1608,	SA
5	2203-000189	C769	C-CER,CHIP	100SNAF,+80-20%,25V,SA5V,TP,1608,	SA
5	2203-000189	C802	C-CER,CHIP	100SNAF,+80-20%,25V,SA5V,TP,1608,	SA
5	2203-000189	C808	C-CER,CHIP	100SNAF,+80-20%,25V,SA5V,TP,1608,	SA
5	2203-000189	C810	C-CER,CHIP	100SNAF,+80-20%,25V,SA5V,TP,1608,	SA
5	2203-000189	C817	C-CER,CHIP	100SNAF,+80-20%,25V,SA5V,TP,1608,	SA
5	2203-000189	C818	C-CER,CHIP	100SNAF,+80-20%,25V,SA5V,TP,1608,	SA
5	2203-000189	C819	C-CER,CHIP	100SNAF,+80-20%,25V,SA5V,TP,1608,	SA
5	2203-000189	C820	C-CER,CHIP	100SNAF,+80-20%,25V,SA5V,TP,1608,	SA
5	2203-000189	C821	C-CER,CHIP	100SNAF,+80-20%,25V,SA5V,TP,1608,	SA
5	2203-000189	C822	C-CER,CHIP	100SNAF,+80-20%,25V,SA5V,TP,1608,	SA
5	2203-000189	C823	C-CER,CHIP	100SNAF,+80-20%,25V,SA5V,TP,1608,	SA
5	2203-000189	C824	C-CER,CHIP	100SNAF,+80-20%,25V,SA5V,TP,1608,	SA
5	2203-000189	C825	C-CER,CHIP	100SNAF,+80-20%,25V,SA5V,TP,1608,	SA
5	2203-000189	C827	C-CER,CHIP	100SNAF,+80-20%,25V,SA5V,TP,1608,	SA
5	2203-000189	C828	C-CER,CHIP	100SNAF,+80-20%,25V,SA5V,TP,1608,	SA
5	2203-000189	C829	C-CER,CHIP	100SNAF,+80-20%,25V,SA5V,TP,1608,	SA
5	2203-000189	C839	C-CER,CHIP	100SNAF,+80-20%,25V,SA5V,TP,1608,	SA
5	2203-000189	C910	C-CER,CHIP	100SNAF,+80-20%,25V,SA5V,TP,1608,	SA
5	2203-000189	C918	C-CER,CHIP	100SNAF,+80-20%,25V,SA5V,TP,1608,	SA
5	2203-000189	C919	C-CER,CHIP	100SNAF,+80-20%,25V,SA5V,TP,1608,	SA
5	2203-000189	C920	C-CER,CHIP	100SNAF,+80-20%,25V,SA5V,TP,1608,	SA
5	2203-000189	C939	C-CER,CHIP	100SNAF,+80-20%,25V,SA5V,TP,1608,	SA
5	2203-000189	C940	C-CER,CHIP	100SNAF,+80-20%,25V,SA5V,TP,1608,	SA
5	2203-000236	C182	C-CER,CHIP	0.1SNAF,5%,50V,C0G,TP,1608	SA
5	2203-000236	C189	C-CER,CHIP	0.1SNAF,5%,50V,C0G,TP,1608	SA
5	2203-000236	C208	C-CER,CHIP	0.1SNAF,5%,50V,C0G,TP,1608	SA

7 Electrical Parts List

Level	Code No.	Loc. No.	Description	Specification	Remarks
5	2203-000236	C209	C-CER,CHIP	0.1SNAF,5%,50V,C0G,TP,1608	SA
5	2203-000236	C922	C-CER,CHIP	0.1SNAF,5%,50V,C0G,TP,1608	SA
5	2203-000236	C933	C-CER,CHIP	0.1SNAF,5%,50V,C0G,TP,1608	SA
5	2203-000257	C180	C-CER,CHIP	10SNAF,10%,50V,X7R,TP,1608	SA
5	2203-000257	C181	C-CER,CHIP	10SNAF,10%,50V,X7R,TP,1608	SA
5	2203-000257	C187	C-CER,CHIP	10SNAF,10%,50V,X7R,TP,1608	SA
5	2203-000257	C188	C-CER,CHIP	10SNAF,10%,50V,X7R,TP,1608	SA
5	2203-000257	C200	C-CER,CHIP	10SNAF,10%,50V,X7R,TP,1608	SA
5	2203-000257	C205	C-CER,CHIP	10SNAF,10%,50V,X7R,TP,1608	SA
5	2203-000257	C212	C-CER,CHIP	10SNAF,10%,50V,X7R,TP,1608	SA
5	2203-000257	C502	C-CER,CHIP	10SNAF,10%,50V,X7R,TP,1608	SA
5	2203-000257	C743	C-CER,CHIP	10SNAF,10%,50V,X7R,TP,1608	SA
5	2203-000257	C744	C-CER,CHIP	10SNAF,10%,50V,X7R,TP,1608	SA
5	2203-000257	C750	C-CER,CHIP	10SNAF,10%,50V,X7R,TP,1608	SA
5	2203-000257	C755	C-CER,CHIP	10SNAF,10%,50V,X7R,TP,1608	SA
5	2203-000257	C756	C-CER,CHIP	10SNAF,10%,50V,X7R,TP,1608	SA
5	2203-000257	C757	C-CER,CHIP	10SNAF,10%,50V,X7R,TP,1608	SA
5	2203-000257	C758	C-CER,CHIP	10SNAF,10%,50V,X7R,TP,1608	SA
5	2203-000257	C809	C-CER,CHIP	10SNAF,10%,50V,X7R,TP,1608	SA
5	2203-000257	C811	C-CER,CHIP	10SNAF,10%,50V,X7R,TP,1608	SA
5	2203-000257	C812	C-CER,CHIP	10SNAF,10%,50V,X7R,TP,1608	SA
5	2203-000257	C846	C-CER,CHIP	10SNAF,10%,50V,X7R,TP,1608	SA
5	2203-000257	C936	C-CER,CHIP	10SNAF,10%,50V,X7R,TP,1608	SA
5	2203-000257	C938	C-CER,CHIP	10SNAF,10%,50V,X7R,TP,1608	SA
5	2203-000491	C202	C-CER,CHIP	2.2SNAF,10%,50V,X7R,TP,1608,-	SA
5	2203-000491	C611	C-CER,CHIP	2.2SNAF,10%,50V,X7R,TP,1608,-	SA
5	2203-000491	C612	C-CER,CHIP	2.2SNAF,10%,50V,X7R,TP,1608,-	SA
5	2203-000626	C804	C-CER,CHIP	0.022SNAF,5%,50V,C0G,TP,1608	SA
5	2203-000626	C805	C-CER,CHIP	0.022SNAF,5%,50V,C0G,TP,1608	SA
5	2203-000697	C909	C-CER,CHIP	0.002SNAF,0.25PF,50V,C0G,TP,1608	SA
5	2203-000697	C915	C-CER,CHIP	0.002SNAF,0.25PF,50V,C0G,TP,1608	SA
5	2203-000697	C916	C-CER,CHIP	0.002SNAF,0.25PF,50V,C0G,TP,1608	SA
5	2203-000697	C917	C-CER,CHIP	0.002SNAF,0.25PF,50V,C0G,TP,1608	SA
5	2203-000783	C900	C-CER,CHIP	0.33SNAF,5%,50V,C0G,TP,1608	SA
5	2203-000783	C901	C-CER,CHIP	0.33SNAF,5%,50V,C0G,TP,1608	SA
5	2203-000783	C907	C-CER,CHIP	0.33SNAF,5%,50V,C0G,TP,1608	SA
5	2203-000783	C908	C-CER,CHIP	0.33SNAF,5%,50V,C0G,TP,1608	SA
5	2203-000783	C911	C-CER,CHIP	0.33SNAF,5%,50V,C0G,TP,1608	SA
5	2203-000783	C913	C-CER,CHIP	0.33SNAF,5%,50V,C0G,TP,1608	SA
5	2203-000783	C931	C-CER,CHIP	0.33SNAF,5%,50V,C0G,TP,1608	SA
5	2203-000783	C932	C-CER,CHIP	0.33SNAF,5%,50V,C0G,TP,1608	SA
5	2203-000815	C902	C-CER,CHIP	0.033SNAF,5%,50V,C0G,TP,1608	SA
5	2203-000815	C903	C-CER,CHIP	0.033SNAF,5%,50V,C0G,TP,1608	SA
5	2203-000815	C904	C-CER,CHIP	0.033SNAF,5%,50V,C0G,TP,1608	SA
5	2203-000815	C905	C-CER,CHIP	0.033SNAF,5%,50V,C0G,TP,1608	SA
5	2203-000815	C906	C-CER,CHIP	0.033SNAF,5%,50V,C0G,TP,1608	SA
5	2203-000815	C934	C-CER,CHIP	0.033SNAF,5%,50V,C0G,TP,1608	SA
5	2203-000888	C204	C-CER,CHIP	4.7SNAF,10%,50V,X7R,TP,1608	SA
5	2203-000972	C207	C-CER,CHIP	47SNAF,10%,16V,X7R,TP,1608	SA
5	2203-001052	C813	C-CER,CHIP	0.56SNAF,10%,50V,X7R,TP,1608	SA
5	2203-001052	C814	C-CER,CHIP	0.56SNAF,10%,50V,X7R,TP,1608	SA
5	2203-001052	C816	C-CER,CHIP	0.56SNAF,10%,50V,X7R,TP,1608	SA
5	2203-001086	C727	C-CER,CHIP	0.005SNAF,0.25pF,50V,SNAP0,TP,1608	SA
5	2203-001086	C728	C-CER,CHIP	0.005SNAF,0.25pF,50V,SNAP0,TP,1608	SA
5	2203-001402	C614	C-CER,CHIP	220SNAF,+80-20%,16V,SA5V,TP,1608	SA
5	2203-001402	C617	C-CER,CHIP	220SNAF,+80-20%,16V,SA5V,TP,1608	SA
5	2203-001402	C618	C-CER,CHIP	220SNAF,+80-20%,16V,SA5V,TP,1608	SA
5	2203-001402	C621	C-CER,CHIP	220SNAF,+80-20%,16V,SA5V,TP,1608	SA
5	2203-001607	C206	C-CER,CHIP	0.22SNAF,5%,50V,SNAP0,-,1608	SA
5	2203-001652	C616	C-CER,CHIP	470SNAF,+80-20%,16V,SA5V,TP,1608	SA
5	2203-001652	C619	C-CER,CHIP	470SNAF,+80-20%,16V,SA5V,TP,1608	SA
5	2203-001656	C121	C-CER,CHIP	0.47SNAF,5%,50V,SNAP0,TP,1608	SA
5	2203-001656	C131	C-CER,CHIP	0.47SNAF,5%,50V,SNAP0,TP,1608	SA
5	2203-001656	C287	C-CER,CHIP	0.47SNAF,5%,50V,SNAP0,TP,1608	SA
5	2203-001656	C315	C-CER,CHIP	0.47SNAF,5%,50V,SNAP0,TP,1608	SA
5	2203-001656	C317	C-CER,CHIP	0.47SNAF,5%,50V,SNAP0,TP,1608	SA
5	2203-001656	C319	C-CER,CHIP	0.47SNAF,5%,50V,SNAP0,TP,1608	SA
5	2203-001656	C335	C-CER,CHIP	0.47SNAF,5%,50V,SNAP0,TP,1608	SA
5	2203-001656	C337	C-CER,CHIP	0.47SNAF,5%,50V,SNAP0,TP,1608	SA
5	2203-001656	C521	C-CER,CHIP	0.47SNAF,5%,50V,SNAP0,TP,1608	SA
5	2203-005005	C228	C-CER,CHIP	100SNAF,10%,16V,X7R,TP,1608	SA
5	2203-005005	C235	C-CER,CHIP	100SNAF,10%,16V,X7R,TP,1608	SA

Level	Code No.	Loc. No.	Description	Specification	Remarks
5	2203-005005	C524	C-CER,CHIP	100SNAF,10%,16V,X7R,TP,1608	SA
5	2203-005005	C526	C-CER,CHIP	100SNAF,10%,16V,X7R,TP,1608	SA
5	2203-005005	C529	C-CER,CHIP	100SNAF,10%,16V,X7R,TP,1608	SA
5	2203-005005	C530	C-CER,CHIP	100SNAF,10%,16V,X7R,TP,1608	SA
5	2203-005005	C533	C-CER,CHIP	100SNAF,10%,16V,X7R,TP,1608	SA
5	2203-005005	C535	C-CER,CHIP	100SNAF,10%,16V,X7R,TP,1608	SA
5	2203-005005	C704	C-CER,CHIP	100SNAF,10%,16V,X7R,TP,1608	SA
5	2203-005005	C705	C-CER,CHIP	100SNAF,10%,16V,X7R,TP,1608	SA
5	2203-005005	C706	C-CER,CHIP	100SNAF,10%,16V,X7R,TP,1608	SA
5	2203-005005	C707	C-CER,CHIP	100SNAF,10%,16V,X7R,TP,1608	SA
5	2203-005005	C709	C-CER,CHIP	100SNAF,10%,16V,X7R,TP,1608	SA
5	2203-005005	C710	C-CER,CHIP	100SNAF,10%,16V,X7R,TP,1608	SA
5	2203-005005	C711	C-CER,CHIP	100SNAF,10%,16V,X7R,TP,1608	SA
5	2203-005005	C713	C-CER,CHIP	100SNAF,10%,16V,X7R,TP,1608	SA
5	2203-005005	C716	C-CER,CHIP	100SNAF,10%,16V,X7R,TP,1608	SA
5	2203-005005	C718	C-CER,CHIP	100SNAF,10%,16V,X7R,TP,1608	SA
5	2203-005005	C719	C-CER,CHIP	100SNAF,10%,16V,X7R,TP,1608	SA
5	2203-005005	C720	C-CER,CHIP	100SNAF,10%,16V,X7R,TP,1608	SA
5	2203-005005	C721	C-CER,CHIP	100SNAF,10%,16V,X7R,TP,1608	SA
5	2203-005005	C722	C-CER,CHIP	100SNAF,10%,16V,X7R,TP,1608	SA
5	2203-005005	C724	C-CER,CHIP	100SNAF,10%,16V,X7R,TP,1608	SA
5	2203-005005	C725	C-CER,CHIP	100SNAF,10%,16V,X7R,TP,1608	SA
5	2203-005005	C726	C-CER,CHIP	100SNAF,10%,16V,X7R,TP,1608	SA
5	2203-005005	C729	C-CER,CHIP	100SNAF,10%,16V,X7R,TP,1608	SA
5	2203-005005	C730	C-CER,CHIP	100SNAF,10%,16V,X7R,TP,1608	SA
5	2203-005005	C731	C-CER,CHIP	100SNAF,10%,16V,X7R,TP,1608	SA
5	2203-005005	C732	C-CER,CHIP	100SNAF,10%,16V,X7R,TP,1608	SA
5	2203-005005	C733	C-CER,CHIP	100SNAF,10%,16V,X7R,TP,1608	SA
5	2203-005005	C734	C-CER,CHIP	100SNAF,10%,16V,X7R,TP,1608	SA
5	2203-005005	C735	C-CER,CHIP	100SNAF,10%,16V,X7R,TP,1608	SA
5	2203-005005	C736	C-CER,CHIP	100SNAF,10%,16V,X7R,TP,1608	SA
5	2203-005005	C737	C-CER,CHIP	100SNAF,10%,16V,X7R,TP,1608	SA
5	2203-005005	C738	C-CER,CHIP	100SNAF,10%,16V,X7R,TP,1608	SA
5	2203-005005	C739	C-CER,CHIP	100SNAF,10%,16V,X7R,TP,1608	SA
5	2203-005005	C740	C-CER,CHIP	100SNAF,10%,16V,X7R,TP,1608	SA
5	2203-005005	C741	C-CER,CHIP	100SNAF,10%,16V,X7R,TP,1608	SA
5	2203-005005	C742	C-CER,CHIP	100SNAF,10%,16V,X7R,TP,1608	SA
5	2203-005005	C747	C-CER,CHIP	100SNAF,10%,16V,X7R,TP,1608	SA
5	2203-005005	C749	C-CER,CHIP	100SNAF,10%,16V,X7R,TP,1608	SA
5	2203-005005	C759	C-CER,CHIP	100SNAF,10%,16V,X7R,TP,1608	SA
5	2203-005005	C760	C-CER,CHIP	100SNAF,10%,16V,X7R,TP,1608	SA
5	2203-005005	C764	C-CER,CHIP	100SNAF,10%,16V,X7R,TP,1608	SA
5	2203-005005	C768	C-CER,CHIP	100SNAF,10%,16V,X7R,TP,1608	SA
5	2203-005065	C600	C-CER,CHIP	1000SNAF,+80-20%,10V,SA5V,-,1608	SA
5	2203-005065	C603	C-CER,CHIP	1000SNAF,+80-20%,10V,SA5V,-,1608	SA
5	2203-005194	C714	C-CER,CHIP	220pF,10%,50V,X7R,TP,1608,-	SA
5	2203-005194	C715	C-CER,CHIP	220pF,10%,50V,X7R,TP,1608,-	SA
5	2203-005194	C748	C-CER,CHIP	220pF,10%,50V,X7R,TP,1608,-	SA
5	2203-005194	C751	C-CER,CHIP	220pF,10%,50V,X7R,TP,1608,-	SA
5	2203-005194	C752	C-CER,CHIP	220pF,10%,50V,X7R,TP,1608,-	SA
5	2203-005194	C753	C-CER,CHIP	220pF,10%,50V,X7R,TP,1608,-	SA
5	2203-006036	C601	C-CER,CHIP	680SNAF,+80-20%,16V,SA5V,TP,1608	SA
5	2203-006036	C602	C-CER,CHIP	680SNAF,+80-20%,16V,SA5V,TP,1608	SA
5	2402-000108	C306	C-AL,SMD	10uF,20%,16V,WT,TP,4.3x4.3x5.4	SA
5	2402-000108	C837	C-AL,SMD	10uF,20%,16V,WT,TP,4.3x4.3x5.4	SA
5	2402-000135	C605	C-AL,SMD	22uF,20%,16V,GP,TP,5.3x5.3x5.4	SA
5	2402-000135	C610	C-AL,SMD	22uF,20%,16V,GP,TP,5.3x5.3x5.4	SA
5	2402-000135	C835	C-AL,SMD	22uF,20%,16V,GP,TP,5.3x5.3x5.4	SA
5	2402-000135	C836	C-AL,SMD	22uF,20%,16V,GP,TP,5.3x5.3x5.4	SA
5	2402-000135	C935	C-AL,SMD	22uF,20%,16V,GP,TP,5.3x5.3x5.4	SA
5	2402-000135	C937	C-AL,SMD	22uF,20%,16V,GP,TP,5.3x5.3x5.4	SA
5	2402-000144	C834	C-AL,SMD	3.3UF,20%,50V,GP,TP,4.3X4.3X5.4	SA
5	2402-000170	C101	C-AL,SMD	1uF,20%,50V,GP,TP,4.3x4.3x5.4,	SA
5	2402-000170	C102	C-AL,SMD	1uF,20%,50V,GP,TP,4.3x4.3x5.4,	SA
5	2402-000170	C115	C-AL,SMD	1uF,20%,50V,GP,TP,4.3x4.3x5.4,	SA
5	2402-000170	C213	C-AL,SMD	1uF,20%,50V,GP,TP,4.3x4.3x5.4,	SA
5	2402-000170	C305	C-AL,SMD	1uF,20%,50V,GP,TP,4.3x4.3x5.4,	SA
5	2402-000170	C847	C-AL,SMD	1uF,20%,50V,GP,TP,4.3x4.3x5.4,	SA
5	2402-000170	C921	C-AL,SMD	1uF,20%,50V,GP,TP,4.3x4.3x5.4,	SA
5	2402-000176	C116	C-AL,SMD	10uF,20%,16V,GP,TP,4.3x4.3x5.4	SA
5	2402-000176	C122	C-AL,SMD	10uF,20%,16V,GP,TP,4.3x4.3x5.4	SA
5	2402-000176	C123	C-AL,SMD	10uF,20%,16V,GP,TP,4.3x4.3x5.4	SA

7 Electrical Parts List

Level	Code No.	Loc. No.	Description	Specification	Remarks
5	2402-000176	C124	C-AL,SMD	10uF,20%,16V,GP,TP,4.3x4.3x5.4	SA
5	2402-000176	C125	C-AL,SMD	10uF,20%,16V,GP,TP,4.3x4.3x5.4	SA
5	2402-000176	C126	C-AL,SMD	10uF,20%,16V,GP,TP,4.3x4.3x5.4	SA
5	2402-000176	C127	C-AL,SMD	10uF,20%,16V,GP,TP,4.3x4.3x5.4	SA
5	2402-000176	C128	C-AL,SMD	10uF,20%,16V,GP,TP,4.3x4.3x5.4	SA
5	2402-000176	C129	C-AL,SMD	10uF,20%,16V,GP,TP,4.3x4.3x5.4	SA
5	2402-000176	C130	C-AL,SMD	10uF,20%,16V,GP,TP,4.3x4.3x5.4	SA
5	2402-000176	C508	C-AL,SMD	10uF,20%,16V,GP,TP,4.3x4.3x5.4	SA
5	2402-000176	C509	C-AL,SMD	10uF,20%,16V,GP,TP,4.3x4.3x5.4	SA
5	2402-000176	C512	C-AL,SMD	10uF,20%,16V,GP,TP,4.3x4.3x5.4	SA
5	2402-000176	C514	C-AL,SMD	10uF,20%,16V,GP,TP,4.3x4.3x5.4	SA
5	2402-000176	C517	C-AL,SMD	10uF,20%,16V,GP,TP,4.3x4.3x5.4	SA
5	2402-000176	C518	C-AL,SMD	10uF,20%,16V,GP,TP,4.3x4.3x5.4	SA
5	2402-000176	C838	C-AL,SMD	10uF,20%,16V,GP,TP,4.3x4.3x5.4	SA
5	2402-001006	C833	C-AL,SMD	4.7uF,20%,25V,GP,TP,3.6x6.3x3.	SA
5	2402-001006	C840	C-AL,SMD	4.7uF,20%,25V,GP,TP,3.6x6.3x3.	SA
5	2402-001006	C841	C-AL,SMD	4.7uF,20%,25V,GP,TP,3.6x6.3x3.	SA
5	2402-001006	C842	C-AL,SMD	4.7uF,20%,25V,GP,TP,3.6x6.3x3.	SA
5	2402-001006	C843	C-AL,SMD	4.7uF,20%,25V,GP,TP,3.6x6.3x3.	SA
5	2402-001006	C844	C-AL,SMD	4.7uF,20%,25V,GP,TP,3.6x6.3x3.	SA
5	2402-001006	C845	C-AL,SMD	4.7uF,20%,25V,GP,TP,3.6x6.3x3.	SA
5	2402-001042	C109	C-AL,SMD	100uF,20%,16V,GP,TP,6.6x6.6x5.4mm	SA
5	2402-001042	C111	C-AL,SMD	100uF,20%,16V,GP,TP,6.6x6.6x5.4mm	SA
5	2402-001042	C112	C-AL,SMD	100uF,20%,16V,GP,TP,6.6x6.6x5.4mm	SA
5	2402-001042	C113	C-AL,SMD	100uF,20%,16V,GP,TP,6.6x6.6x5.4mm	SA
5	2402-001042	C178	C-AL,SMD	100uF,20%,16V,GP,TP,6.6x6.6x5.4mm	SA
5	2402-001042	C201	C-AL,SMD	100uF,20%,16V,GP,TP,6.6x6.6x5.4mm	SA
5	2402-001042	C210	C-AL,SMD	100uF,20%,16V,GP,TP,6.6x6.6x5.4mm	SA
5	2402-001042	C604	C-AL,SMD	100uF,20%,16V,GP,TP,6.6x6.6x5.4mm	SA
5	2402-001042	C606	C-AL,SMD	100uF,20%,16V,GP,TP,6.6x6.6x5.4mm	SA
5	2402-001042	C608	C-AL,SMD	100uF,20%,16V,GP,TP,6.6x6.6x5.4mm	SA
5	2402-001042	C613	C-AL,SMD	100uF,20%,16V,GP,TP,6.6x6.6x5.4mm	SA
5	2402-001042	C622	C-AL,SMD	100uF,20%,16V,GP,TP,6.6x6.6x5.4mm	SA
5	2402-001042	C712	C-AL,SMD	100uF,20%,16V,GP,TP,6.6x6.6x5.4mm	SA
5	2402-001042	C767	C-AL,SMD	100uF,20%,16V,GP,TP,6.6x6.6x5.4mm	SA
5	2402-001042	C800	C-AL,SMD	100uF,20%,16V,GP,TP,6.6x6.6x5.4mm	SA
5	2402-001044	C184	C-AL,SMD	100UF,20%,25V,GP,TP,8.3X8.3X6.3MM	SA
5	2402-001044	C191	C-AL,SMD	100UF,20%,25V,GP,TP,8.3X8.3X6.3MM	SA
5	2402-001070	C193	C-AL,SMD	470uF,20%,16V,GP,TP,10x10.2,-	SA
5	2402-001081	C110	C-AL,SMD	100uF,20%,25V,WT,TP,8.3x8.3x10	SA
5	2402-001086	C114	C-AL,SMD	100UF,20%,16V,WT,TP,6.6X6.6X5.3	SA
5	2402-001153	C723	C-AL,SMD	100UF,20%,6.3V,WI,TP,6.3X5.8MM	SA
5	2402-001155	C623	C-AL,SMD	47UF,20%,16V,WT,TP,6.3X5.2MM	SA
5	2409-001049	C523	C-ORGASNAIC	47UF,20%,6.3V,FX,TP,5X5.9MM,-	SA
5	2409-001049	C717	C-ORGASNAIC	47UF,20%,6.3V,FX,TP,5X5.9MM,-	SA
5	2409-001051	C194	C-ORGASNAIC	82UF,20%,6.3V,WT,TP,6.3*5.9MM,2.1	SA
5	2409-001051	C708	C-ORGASNAIC	82UF,20%,6.3V,WT,TP,6.3*5.9MM,2.1	SA
5	2409-001065	C185	C-ORGASNAIC	82UF,20%,16V,WT,TP,8X6.9MM,-	SA
5	2409-001065	C192	C-ORGASNAIC	82UF,20%,16V,WT,TP,8X6.9MM,-	SA
5	2703-000185	L803	ISNADUCTOR-SMD	3.3uH,10%,2012	SA
5	2703-000185	L804	ISNADUCTOR-SMD	3.3uH,10%,2012	SA
5	2703-000185	L902	ISNADUCTOR-SMD	3.3uH,10%,2012	SA
5	2703-000185	L903	ISNADUCTOR-SMD	3.3uH,10%,2012	SA
5	2703-000185	L904	ISNADUCTOR-SMD	3.3uH,10%,2012	SA
5	2703-000185	L905	ISNADUCTOR-SMD	3.3uH,10%,2012	SA
5	2703-000185	L908	ISNADUCTOR-SMD	3.3uH,10%,2012	SA
5	2703-000185	L909	ISNADUCTOR-SMD	3.3uH,10%,2012	SA
5	2703-000222	L802	ISNADUCTOR-SMD	560SNAH,10%,2012	SA
5	2703-000392	L801	ISNADUCTOR-SMD	10uH,5%,4532	SA
5	2703-000398	L900	ISNADUCTOR-SMD	10uH,10%,3225	SA
5	2703-000398	L901	ISNADUCTOR-SMD	10uH,10%,3225	SA
5	2703-000398	L906	ISNADUCTOR-SMD	10uH,10%,3225	SA
5	2703-000398	L907	ISNADUCTOR-SMD	10uH,10%,3225	SA
5	2703-000417	L201	ISNADUCTOR-SMD	220uH,5%,3225	SA
5	2703-001426	L202	ISNADUCTOR-SMD	680uH,20%,7070	SA
5	2703-001778	FT131	ISNADUCTOR-SMD	3.3uH,20%,3225	SA
5	2703-002327	L200	ISNADUCTOR-SMD	3.9uH,5%,3225	SA
5	2801-003667	X701	CRSASTAL-SMD	14.31818MHz,30ppm,28-AASNA,16,50ohm,TP	SA
5	2801-004004	X800	CRSASTAL-SMD	20.25MHz,20ppm,28-AASNA,13pF,25ohm,TP	SA
5	2901-001114	FT104	FILTER-EMI SMD	25VDC,2.0ADC,-,100SNAF,3.2x1.6x1	SA
5	2901-001114	FT105	FILTER-EMI SMD	25VDC,2.0ADC,-,100SNAF,3.2x1.6x1	SA
5	2901-001114	FT106	FILTER-EMI SMD	25VDC,2.0ADC,-,100SNAF,3.2x1.6x1	SA

Level	Code No.	Loc. No.	Description	Specification	Remarks
5	2901-001114	FT107	FILTER-EMI SMD	25VDC,2.0ADC,-,100SNAF,3.2x1.6x1	SA
5	2901-001114	FT108	FILTER-EMI SMD	25VDC,2.0ADC,-,100SNAF,3.2x1.6x1	SA
5	2901-001114	FT109	FILTER-EMI SMD	25VDC,2.0ADC,-,100SNAF,3.2x1.6x1	SA
5	2901-001114	FT110	FILTER-EMI SMD	25VDC,2.0ADC,-,100SNAF,3.2x1.6x1	SA
5	2901-001114	FT111	FILTER-EMI SMD	25VDC,2.0ADC,-,100SNAF,3.2x1.6x1	SA
5	2901-001114	FT112	FILTER-EMI SMD	25VDC,2.0ADC,-,100SNAF,3.2x1.6x1	SA
5	2901-001114	FT113	FILTER-EMI SMD	25VDC,2.0ADC,-,100SNAF,3.2x1.6x1	SA
5	2901-001114	FT500	FILTER-EMI SMD	25VDC,2.0ADC,-,100SNAF,3.2x1.6x1	SA
5	2901-001114	FT701	FILTER-EMI SMD	25VDC,2.0ADC,-,100SNAF,3.2x1.6x1	SA
5	2901-001114	FT702	FILTER-EMI SMD	25VDC,2.0ADC,-,100SNAF,3.2x1.6x1	SA
5	2901-001114	FT703	FILTER-EMI SMD	25VDC,2.0ADC,-,100SNAF,3.2x1.6x1	SA
5	2901-001114	FT704	FILTER-EMI SMD	25VDC,2.0ADC,-,100SNAF,3.2x1.6x1	SA
5	2901-001114	FT705	FILTER-EMI SMD	25VDC,2.0ADC,-,100SNAF,3.2x1.6x1	SA
5	2901-001114	FT706	FILTER-EMI SMD	25VDC,2.0ADC,-,100SNAF,3.2x1.6x1	SA
5	2901-001114	FT709	FILTER-EMI SMD	25VDC,2.0ADC,-,100SNAF,3.2x1.6x1	SA
5	2901-001114	FT710	FILTER-EMI SMD	25VDC,2.0ADC,-,100SNAF,3.2x1.6x1	SA
5	2901-001114	FT802	FILTER-EMI SMD	25VDC,2.0ADC,-,100SNAF,3.2x1.6x1	SA
5	3301-001145	20ISNACH	BEAD-SMD	60ohm,4516,6000mA,TP,70ohm/45MHz,82ohm/760MHz,0.01ohm	SNA
5	3301-001145	FT100	BEAD-SMD	60ohm,4516,6000mA,TP,70ohm/45MHz,82ohm/760MHz,0.01ohm	SNA
5	3301-001145	FT101	BEAD-SMD	60ohm,4516,6000mA,TP,70ohm/45MHz,82ohm/760MHz,0.01ohm	SNA
5	3301-001145	FT102	BEAD-SMD	60ohm,4516,6000mA,TP,70ohm/45MHz,82ohm/760MHz,0.01ohm	SNA
5	3301-001145	FT11	BEAD-SMD	60ohm,4516,6000mA,TP,70ohm/45MHz,82ohm/760MHz,0.01ohm	SNA
5	3301-001145	FT118	BEAD-SMD	60ohm,4516,6000mA,TP,70ohm/45MHz,82ohm/760MHz,0.01ohm	SNA
5	3301-001145	FT126	BEAD-SMD	60ohm,4516,6000mA,TP,70ohm/45MHz,82ohm/760MHz,0.01ohm	SNA
5	3301-001145	FT127	BEAD-SMD	60ohm,4516,6000mA,TP,70ohm/45MHz,82ohm/760MHz,0.01ohm	SNA
5	3301-001145	FT130	BEAD-SMD	60ohm,4516,6000mA,TP,70ohm/45MHz,82ohm/760MHz,0.01ohm	SNA
5	3301-001145	FT144	BEAD-SMD	60ohm,4516,6000mA,TP,70ohm/45MHz,82ohm/760MHz,0.01ohm	SNA
5	3301-001145	FT200	BEAD-SMD	60ohm,4516,6000mA,TP,70ohm/45MHz,82ohm/760MHz,0.01ohm	SNA
5	3301-001145	PAL	BEAD-SMD	60ohm,4516,6000mA,TP,70ohm/45MHz,82ohm/760MHz,0.01ohm	SNA
5	3704-000249	IC702	SOCKET-IC	32P,PLCC,SSNA,1.27mm	SA
5	3708-001763	CSNA702	COSNASNAECTOR-FPC/FFC/PIC	50P,0.5MM,SMD-A,SSNA	SA
5	3711-002046	CSNA905	COSNASNAECTOR-HEADER	BOX,12P,1R,1.25MM,SMD-S,SSNA,WHT	SA
5	3711-004934	CSNA705	COSNASNAECTOR-HEADER	BOX,5P,1R,1.25MM,SMD-A,SSNA,WHT	SA
5	3711-005291	CSNA601	COSNASNAECTOR-HEADER	BOX,2P,1R,2MM,SMD-A,SSNA,WHT	SA
5	3711-005292	CSNA600	COSNASNAECTOR-HEADER	BOX,3P,1R,2MM,SMD-A,SSNA,WHT	SA
5	3711-005471	CSNA907	COSNASNAECTOR-HEADER	BOX,12P,1R,1.25mm,SMD-A,SSNA+Pb,IVR	SA
5	BSNA27-00009A	FT128	COIL CHOKE	SMD 12X12X6.EOS,33UH,15%,-,0.12Ω MAX,2ADR10X5.0MM,18.5TS,12X12X6,1.8MM,1UEW 0.	SA
5	BSNA27-00009A	FT145	COIL CHOKE	SMD 12X12X6.EOS,33UH,15%,-,0.12Ω MAX,2ADR10X5.0MM,18.5TS,12X12X6,1.8MM,1UEW 0.	SA
5	BSNA41-00471A	MP1.0	PCB MAISNA	VE17UO,4,1.6,160*160,VE17	SNA
5	BSNA97-00380J	MICOM1	ASSSA MICOM	VE15EO,VCT49XSAF,P-VSNACPEU,2004-01.27,BSNA09-00006A	SA
6	BSNA09-00006A	IC802	IC MICOM	VCT4973-XM C7,144,3.3V,PAL SNAicam,PMQFP,TR,0 to +70	SNA
4	BSNA97-00362SNA	MICOM	ASSSA MICOM	VE20EO,PM39LV020,T-VSNAC20PEU,20040324,1107-001495	SNA
5	1107-001495	IC703	IC-FLASH MEMORSA	AT49BV002ASNA-70J,256Kx8Bit,PLCC,32P,14x11.5mm,70SNAS,2.7/3.6V,-,-,40to+85C,50uA-	SA
2	BSNA91-00807F	-	ASSSA SHIELD	SNAEW	SNA
3	0201-001578	CIS	ADHESIVE-HM	HM-555,WHT,4,000 Cps,-	SNA
3	3809-001522	CIS	CABLE-FLAT	30V,80C,70mm,50P,0.5mm,-	SNA
3	6003-000117	SH/TUSNAER+SH/PASNA	SCREW-TAPTITE	BH,+,B,M3,L6,ZPC(SAEL),SWRCH18A	SNA
3	6003-000256	SH/PASNA+IP/PCB	SCREW-TAPTITE	BWH,+,B,M3,L10,ZPC(SAEL),SM20C	SNA
3	6003-000259	SH/PASNA+IP/PCB	SCREW-TAPTITE	BH,+,B,M3,L8,ZPC(SAEL),SWRCH18A	SNA
3	6003-000259	SH/PASNA+M/PCB	SCREW-TAPTITE	BH,+,B,M3,L8,ZPC(SAEL),SWRCH18A	SNA
3	6003-000277	SH/PASNA+C/F	SCREW-TAPTITE	BH,+,B,M3,L12,ZPC(SAEL),SWRCH18	SNA
3	BSNA44-00115A	CIS	IP BOARD	IP-51135T,VeSNAice 20',4.0mA,6.0mA,51KHZ,6.90V/264VAC,+13V/+5V,0 to +40,-20 to +60	SA
3	BSNA61-01323A	CIS	HOLDER-ISNAVERTER WIRE	VE20,ABS V0,T2.0	SNA

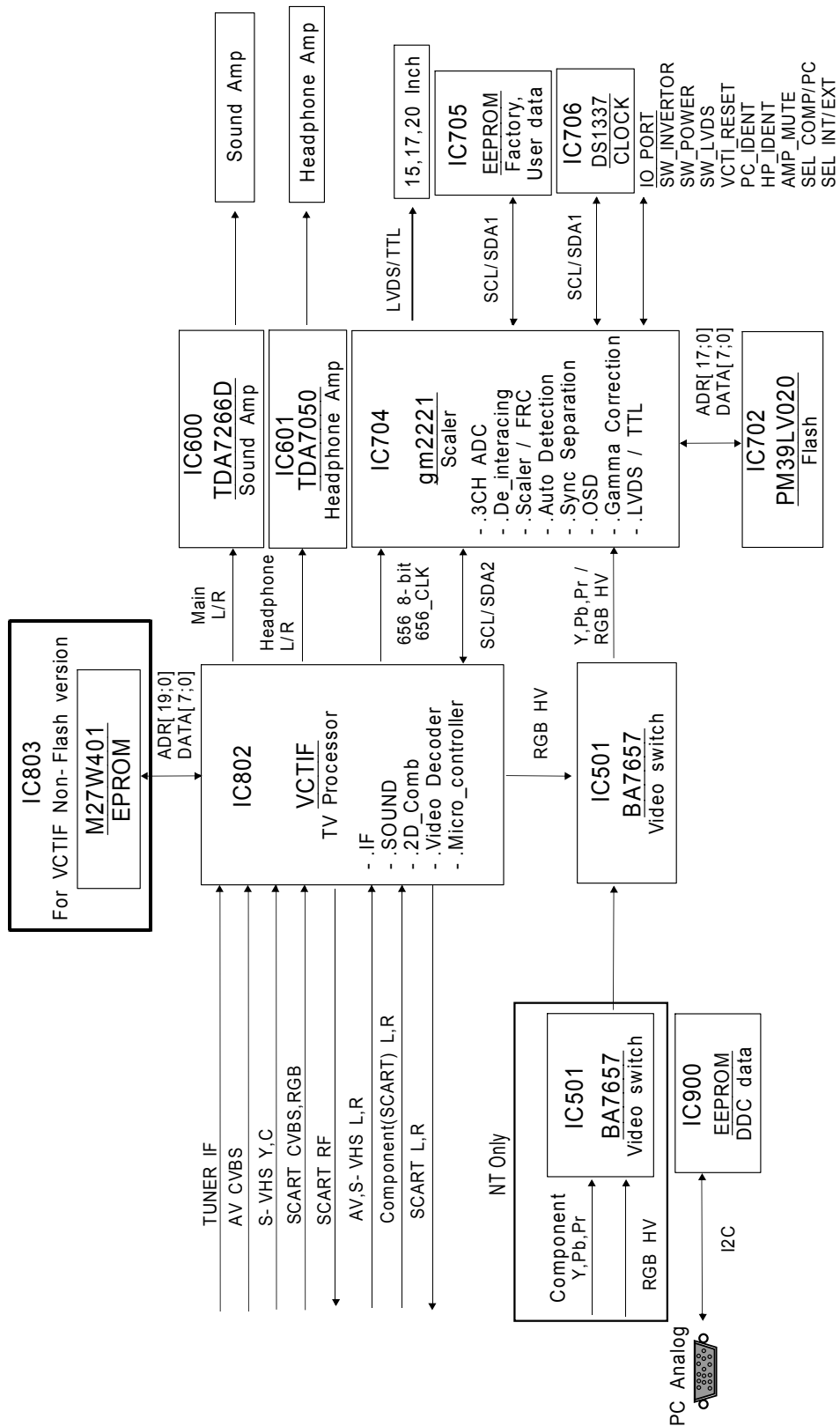
7-2-2 LW20M21C Others

Level	Code No.	Loc. No.	Description	Specification	Remarks
2	BSNA90-00400B	-	ASSSA STASNAD	VE20UO	SNA
3	BSNA96-01160A	STD	ASSSA STASNAD P	VE20UO,ABS HB	SA
4	6003-000122	STD	SCREW-TAPTITE	BH,+ ,B,M4,L12,ZPC(SAEL),SWRCH18	SA
4	6003-001010	STD	SCREW-TAPTITE	FH,+ ,B,M3,L6,ZPC(SAEL),SWRCH18A	SA
4	6003-001024	STD	SCREW-TAPTITE	RWH,+ ,B,M4,L12,ZPC(SAEL),SWRCH1	SA
4	AA63-00099C	STD	SPACER-FELT	47W3,FELT,BLK,T0.35,30*30	SNA
4	BSNA61-00816A	STD	STASNAD-COVER	LT20M2,ABS HB,SNAAT	SNA
4	BSNA61-00817A	STD	STASNAD-SUB COVER	LT20M2,ABS HB,SNAAT	SNA
4	BSNA61-00818A	STD	STASNAD-BRKT BOTTOM	LT20M2,SECC,T1.0,SNAAT	SNA
4	BSNA61-01171A	STD	STASNAD-SWIVEL BASE	VE20,ABS,T2.5,BK07	SNA
4	BSNA63-01474A	STD	FELT-STASNAD	VESNAICE 20",FELT,T1.0,10,15	SNA
4	BSNA64-00303A	STD	KSNAOB-LOCK	VE20,ABS,GR70,SV012P	SNA
4	BSNA73-60002A	STD	RUBBER-FOOT	CSA15PO,SPOSNAGE,-,-,-,BL,-,-,-,-	SNA
4	BSNA96-01161A	STD	ASSSA MISC P-HISNAGE	VE20UO,DIE CASTISNAG T2.5	SNA
2	BSNA90-00647SA	-	Fsol VE20EO	SNA	
3	6003-001003	C/F+C/R	SCREW-TAPTITE	BH,+ ,B,M4,L12,ZPC(BLK),SWRCH18	SA
3	BSNA96-01158B	C/F	ASSSA COVER	P-FROSAT VE20EO,ABS V0	SNA
4	6003-000010	C/F	SCREW-TAPTITE	BWH,+ ,B,M3,L10,ZPC(SAEL),SWRCH1	SNA
4	6003-000276	C/F	SCREW-TAPTITE	BH,+ ,B,M3,L10,ZPC(SAEL),SWCH10	SNA
4	AA60-00091E	C/F	SPACER-FELT	- ,FELT,100X10,-,-,BLK,T0.5,-,-	SNA
4	AA60-00091S	C/F	SPACER-FELT	61L2,FELT,30*10,BLK,T0.5	SNA
4	BSNA63-01181A	C/F	COVER-FROSAT	LT20M2,ABS,V0,GR70,SV-012P	SNA
4	BSNA63-01182B	C/F	COVER-FROSAT BEZEL	VE20EO,ABS V0	SNA
4	BSNA63-01474D	C/F	FELT	VESNAICE 20",FELT,T0.35,20,350	SNA
4	BSNA63-01474E	C/F	FELT	VESNAICE 20",FELT,T0.35,20,400	SNA
4	BSNA64-00207A	C/F	BADGE-BRASNAD	POSEIDOSNA,AL,T1.5,8.5,50,BLK,SILVER,SAMSUSNAG(G/S)	SNA
4	BSNA64-00254A	C/F	KSNAOB-FUSNACTOSNA	LT15M2,ABS,HB,BK19	SNA
4	BSNA67-00119A	C/F	LESNAS-IR	LT20M2,ACRSAL,CLEAR	SA
4	BSNA96-00496A	C/F	ASSSA SPEAKER P	16ohm,Ares 15",Right,3W,530mm	SNA
4	BSNA96-01155B	C/F	ASSSA BOARD	P-FUSNACTIOSNA IR VE20UO,FUSNATIOSNA/IR	SNA
4	BSNA96-01164A	C/F	ASSSA SPEAKER P	16ohm,VeSNAIce,Left,3W,150mm	SNA
2	BSNA90-00656R	-	ASSSA COVER REAR	VE20EO	SNA
3	6003-001310	C/F+C/R+STD	SCREW-TAPTITE	BH,+ ,B,M4,L16,ZPC(BLK),SWRCH18A	SNA
3	BSNA96-01159B	C/R	ASSSA COVER P-REAR	VE20EO,ABS V0	SNA
4	AA60-00091B	C/R	SPACER-FELT	- ,FELT,100X10,-,-,BLK,T0.35,-,-	SNA
4	BSNA63-01178B	C/R	COVER-ISNALASA	VE15EO,PC SHEET,T0.5	SNA
4	BSNA63-01191A	C/R	COVER-REAR	LT20M2,ABS,V0,BK19	SNA
4	BSNA63-01474F	C/R	FELT	VESNAICE 20",FELT,T0.35,10,50	SNA
2	BSNA91-00349G	-	ASSSA LCD-CP	MU20EO	SNA
3	BSNA07-00135A	LCD	LCD-PASNAEL	V201V1-T01,RubeSNAs,640*480,448.6*339.6*25,16.7M,40,0.637*0.637,0-50,5V,TSNA	SA
2	BSNA91-00801J	-	ASSSA CHASSIS	VE20EO	SNA
3	BSNA94-00539R	-	ASSSA PCB MAISNA	VE20EO	SNA
4	0204-002420	CIS3	SOLVESNAT	1M-1000,C3H70H,96,-,-	SNA
4	0204-002426	CIS4	FLUX	DF-201TVS,MIX,0.820,FLUX 13%, 14KG,-	SNA
4	2801-003959	X702	CRSASTAL-USNAIT	0.032768MHz,20ppm,28-AASA,12.5pF,35kohm,BK	SA
4	2904-001179	FT800	FILTER-SAW	36.125MHz,-,32.65-39.6MHz/0.5dB,SIP5K,+0MHz/21.8dB,31.25MHz/37dB	SA
4	3701-001294	CSNA908	COSNASNAECTOR-DSUB	15P,3R,FEMALE,STRAIGHT,AUF	SA
4	3705-001331	CIS6	COSNASNAECTOR-COAXIAL	PAL,ADAPTOR(J/J),-,75ohm,-	SA
4	3711-004712	CSNA100	COSNASNAECTOR-HEADER	BOX,9P,1R,2mm,STRAIGHT,SSNA	SA
4	3722-000158	CSNA900	JACK-PISNA	1P,3.4mm,SSNA,SAEL,-	SA
4	3722-000498	CSNA902	JACK-SCART	21P,-,SSNA,BLK,SNAO	SA
4	3722-001061	CSNA909	JACK-PHOSNAE	1P,3.6PI,AG,BLK,SNA	SA
4	3722-001734	CSNA903	JACK-VHS	4P,-,SSNA,BLK,-	SA
4	3722-001846	U1913	JACK-PISNA	2P,8.3MM,AU,WHT/RED,-	SA
4	BSNA40-00049A	TU01	TUSNAER	TMQZ6416A,VE15PAL,BG,PAL,HSAPER,38.9MHz,75 ohm,75 ohm,PHOSNAE,JACK,ASSAMM5,TR	SA

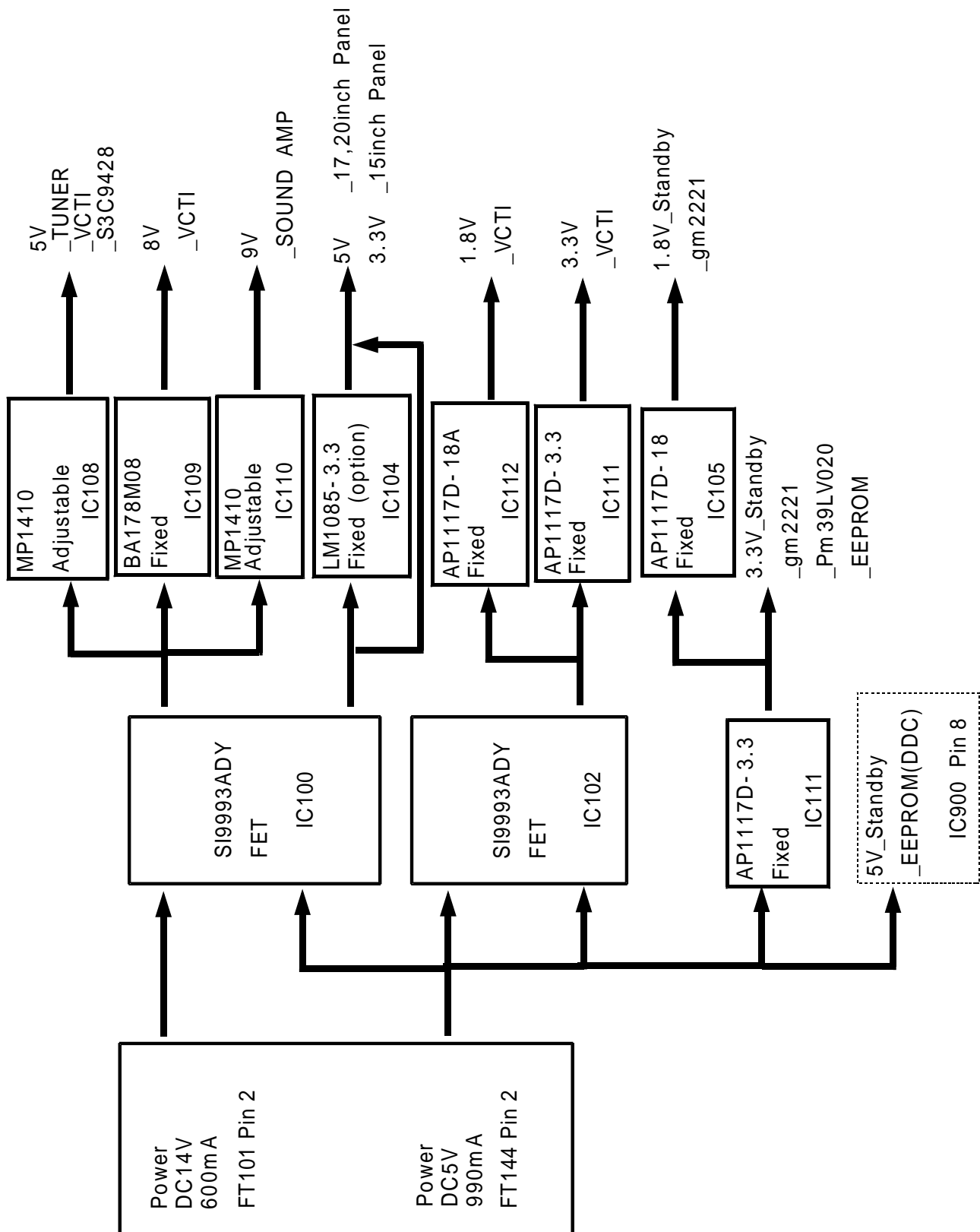
8 Block Diagram

* This Document can not be used without Samsung's authorization.

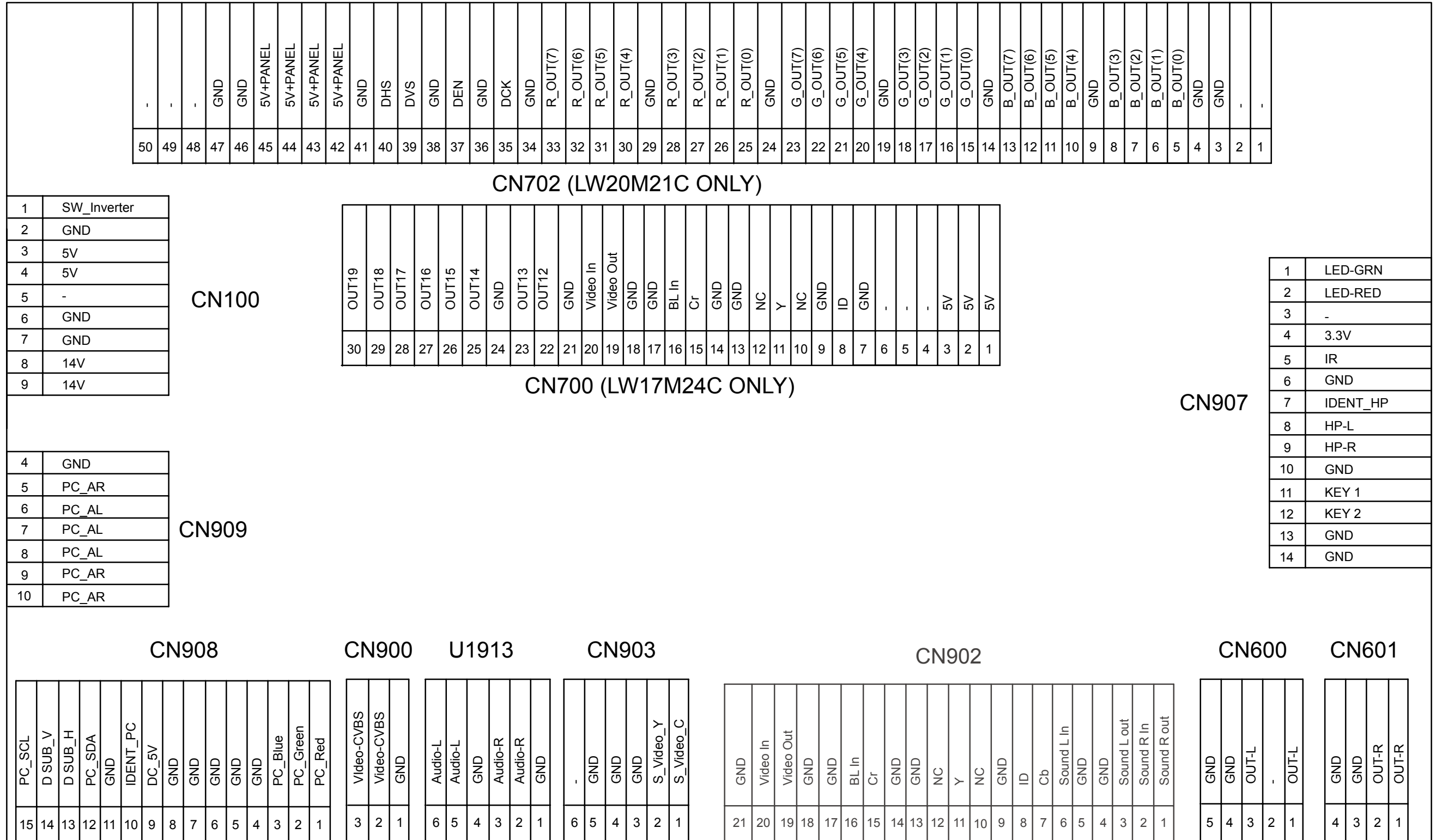
8-1 Signal Path Block Diagram



8-2 Input Power Block Diagram



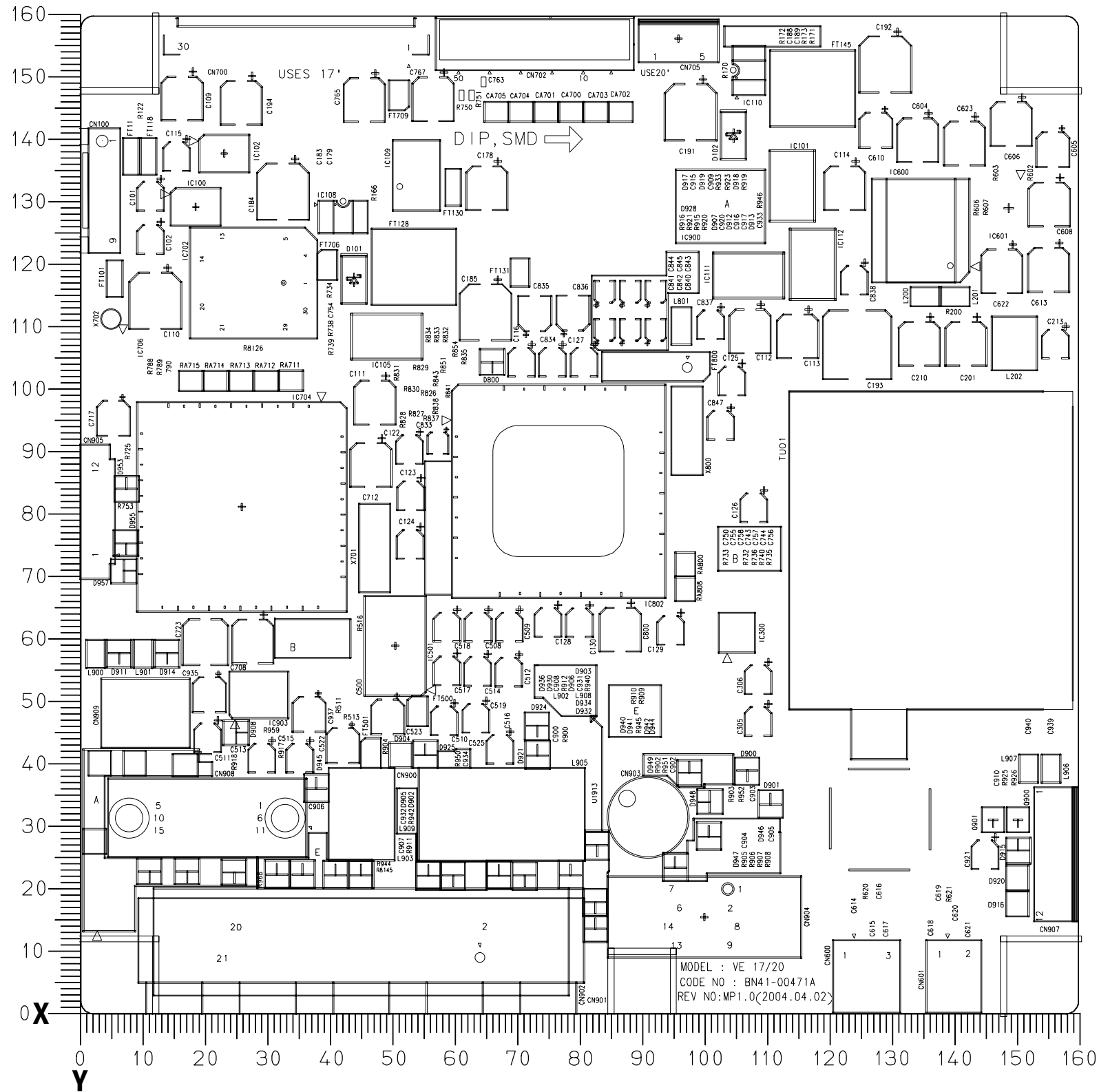
9 Wiring Diagram



Memo

10 PCB Layout

10-1 Main PCB Layout

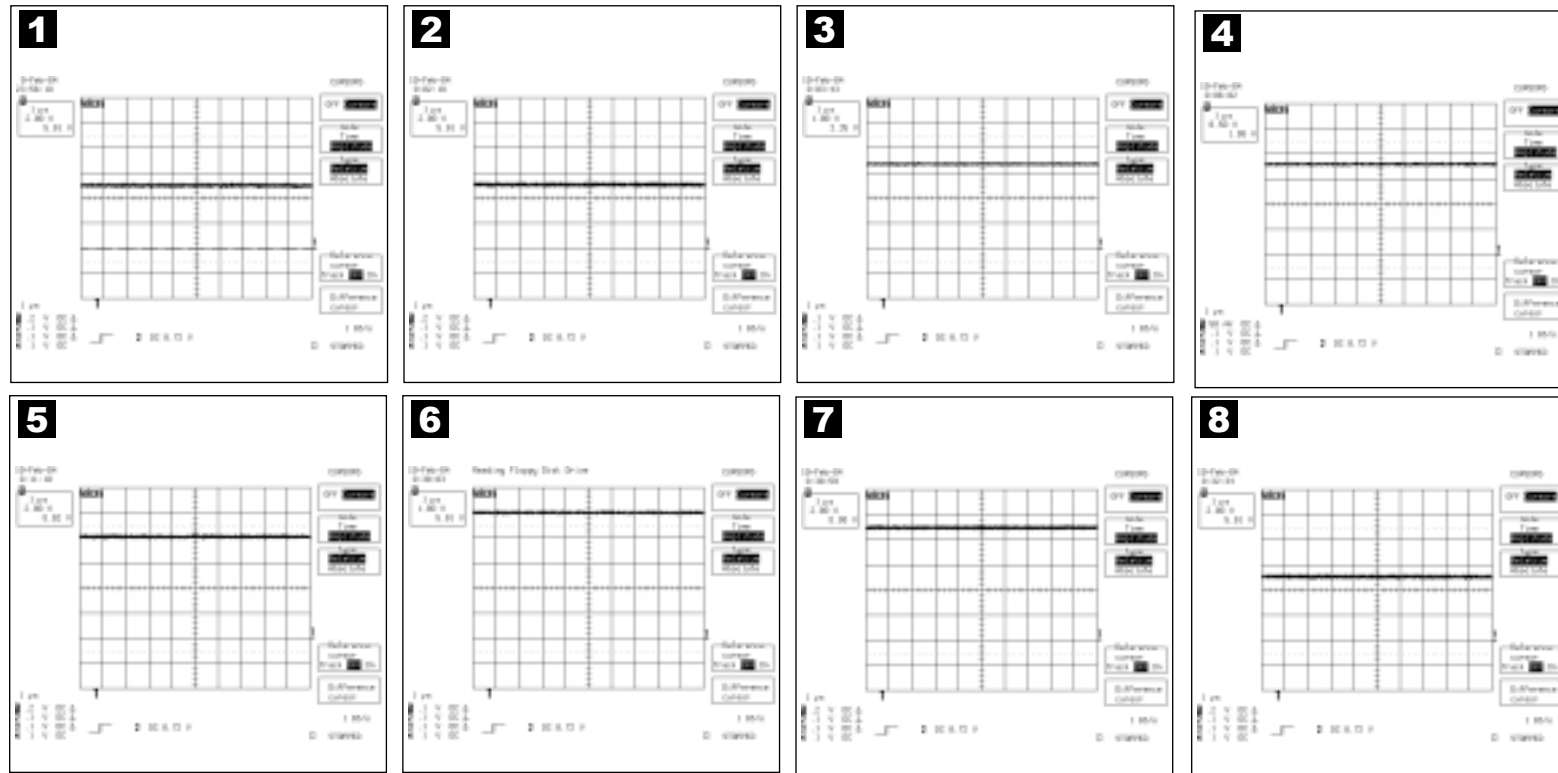


Loc. No.	Description	X	Y
DIODE			
D101	DIODE-RECTIFIER	43.8	117.7
D102	DIODE-RECTIFIER	104.7	140.8
D200	DIODE-SWITCHING	156.3	110.5
D201	DIODE-ZENER	141.4	86.4
D600	DIODE-SWITCHING	124.7	140.2
D601	DIODE-ARRAY	143.6	142.7
D602	DIODE-ZENER	149.8	144.8
D603	DIODE-ZENER	155.0	116.3
D604	DIODE-ZENER	148.1	116.2
D701	DIODE-SWITCHING	20.9	88.5
D702	DIODE-SWITCHING	45.4	81.9
D800	DIODE-SWITCHING	66.0	104.5
D900	DIODE-ZENER	106.9	39.0
D901	DIODE-ZENER	110.6	33.5
D902	DIODE-ZENER	59.7	22.2
D903	DIODE-ZENER	82.8	27.0
D904	DIODE-ZENER	51.3	41.5
D905	DIODE-ZENER	55.7	22.1
D906	DIODE-ZENER	78.5	22.2
D907	DIODE-ARRAY	11.0	22.8
D908	DIODE-SWITCHING	24.9	45.1
D909	DIODE-SWITCHING	25.5	40.4
D910	DIODE-SWITCHING	31.9	40.4
D911	DIODE-ZENER	6.2	57.9
D912	DIODE-SWITCHING	17.1	22.8
D913	DIODE-SWITCHING	24.6	22.7
D914	DIODE-ZENER	13.9	57.9
D915	DIODE-SWITCHING	150.3	26.2
D916	DIODE-ZENER	150.2	17.6
D917	DIODE-ZENER	3.0	40.2
D918	DIODE-ZENER	16.8	39.9
D919	DIODE-ZENER	8.6	40.2
D920	DIODE-ZENER	150.2	21.8
D921	DIODE-ZENER	73.2	41.4
D922	DIODE-ZENER	73.2	43.7
D923	DIODE-ZENER	73.3	48.5
D924	DIODE-ZENER	73.2	46.2
D925	DIODE-ZENER	55.2	41.5
D926	DIODE-ZENER	111.2	33.7
D927	DIODE-ZENER	103.2	38.3
D928	DIODE-ZENER	2.2	27.6
D930	DIODE-ZENER	71.2	22.2
D932	DIODE-ZENER	82.5	13.6
D934	DIODE-ZENER	82.5	17.9
D936	DIODE-ZENER	67.0	22.1
D940	DIODE-ZENER	31.4	22.3
D941	DIODE-ZENER	35.5	22.3
D942	DIODE-ZENER	40.8	22.2
D944	DIODE-ZENER	44.9	22.2
D945	DIODE-ZENER	37.7	36.1
D946	DIODE-ZENER	100.7	28.4
D947	DIODE-ZENER	95.3	23.4
D948	DIODE-SWITCHING	100.8	33.9
D949	DIODE-SWITCHING	97.6	38.7
D950	DIODE-ZENER	154.3	25.9
D951	DIODE-SWITCHING	4.2	87.9

Loc. No.	Description	X	Y
D952	DIODE-SWITCHING	3.1	83.4
D953	DIODE-SWITCHING	7.3	84.2
D954	DIODE-SWITCHING	3.1	79.0
D955	DIODE-SWITCHING	7.3	75.4
D956	DIODE-SWITCHING	3.1	73.5
D957	DIODE-SWITCHING	6.9	71.1
IC			
IC100	FET-SILICON	18.4	129.4
IC101	IC-VOLTAGE REGULATOR	114.1	132.7
IC102	FET-SILICON	23.0	138.0
IC105	IC-VOLTAGE REGULATOR	49.1	108.6
IC108	IC-DC/DC CONVERTER	42.1	127.8
IC109	IC-POS.FIXED REG.	53.8	134.9
IC110	IC-DC/DC CONVERTER	107.2	151.3
IC111	IC-VOLTAGE REGULATOR	107.0	118.4
IC112	IC-VOLTAGE REGULATOR	117.4	120.2
IC300	IC-VOL. DETECTOR	105.2	60.6
IC500	IC-VIDEO SWITCH	43.8	49.1
IC501	IC-VIDEO SWITCH	50.4	59.0
IC600	IC-AUDIO AMP	134.7	125.6
IC601	IC-AUDIO AMP	148.8	129.2
IC702	SOCKET-IC	27.7	117.2
IC703	IC-FLASH MEMORY	0.0	0.0
IC704	IC	25.8	81.3
IC705	IC-EEPROM	32.4	85.7
IC706	IC-REAL TIME CLOCK	4.8	104.4
IC802	IC-SIGNAL PROCESSOR	76.6	83.8
IC805	IC-EEPROM	72.7	80.7
IC900	IC-EEPROM	4.5	18.0
IC902	IC-CMOS LOGIC	28.8	51.4
IC903	IC-CMOS LOGIC	28.6	51.2
TRANSISTOR			
Q100	TR-SMALL SIGNAL	14.9	119.9
Q101	TR-SMALL SIGNAL	14.4	128.1
Q104	TR-SMALL SIGNAL	16.6	132.9
Q200	TR-SMALL SIGNAL	146.5	110.4
Q600	TR-SMALL SIGNAL	156.3	138.1
Q601	TR-SMALL SIGNAL	150.5	140.8
Q602	TR-SMALL SIGNAL	139.5	142.7
Q603	TR-SMALL SIGNAL	129.3	140.2
Q800	TR-SMALL SIGNAL	87.6	62.0
Q801	TR-SMALL SIGNAL	91.5	62.2
Q802	TR-SMALL SIGNAL	53.1	97.5
Q803	TR-SMALL SIGNAL	53.1	101.4
Q804	TR-SMALL SIGNAL	57.1	106.5
Q805	TR-SMALL SIGNAL	62.6	104.5
Q806	FET-SILICON	25.4	77.8
Q807	FET-SILICON	25.4	73.6
Q809	TR-SMALL SIGNAL	131.7	99.7
Q810	TR-SMALL SIGNAL	56.4	83.2
Q900	TR-SMALL SIGNAL	150.3	31.1
Q901	TR-SMALL SIGNAL	146.3	31.1
Q902	TR-SMALL SIGNAL	150.4	25.9

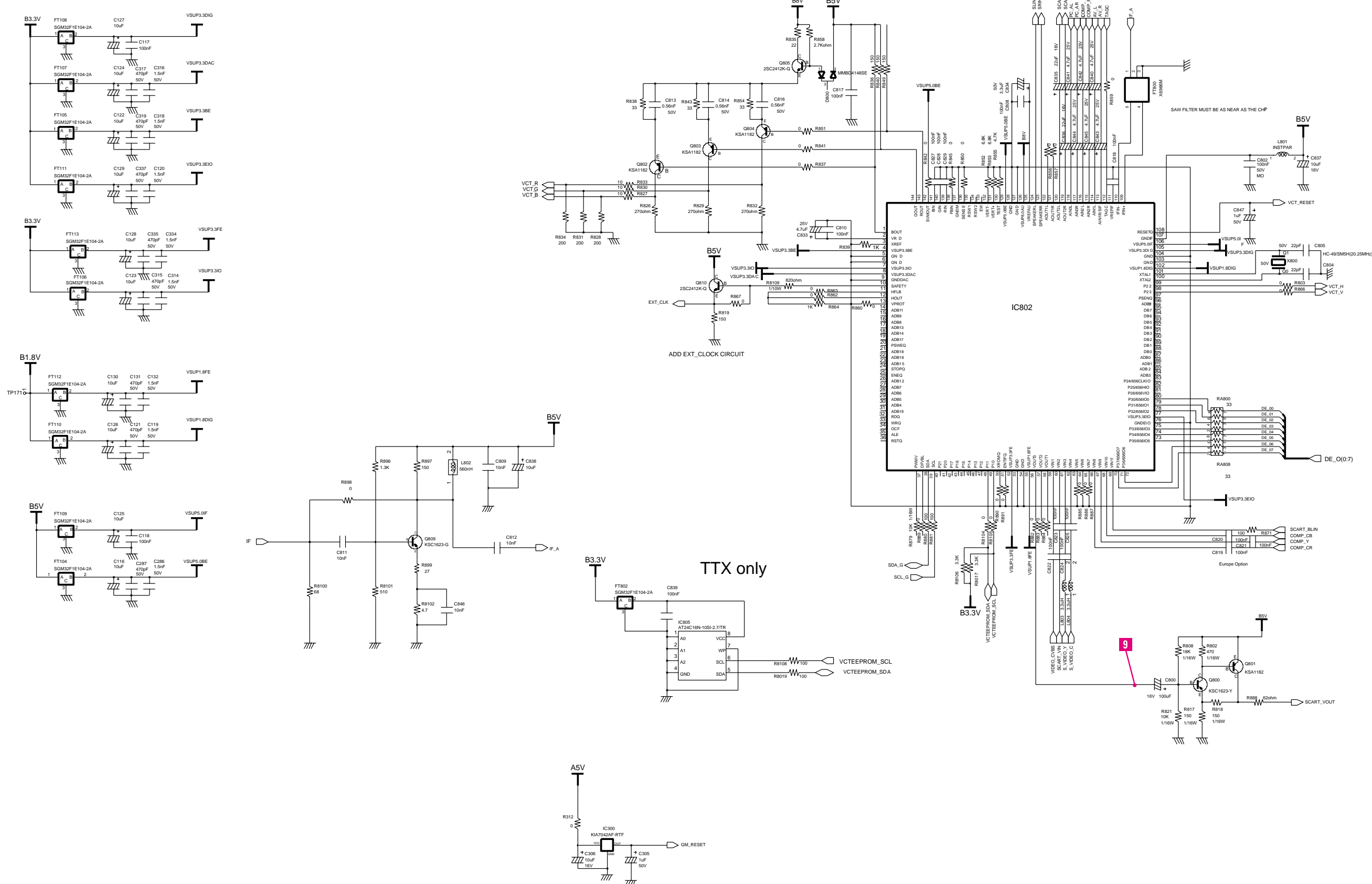
Memo

11 Schematic Diagrams

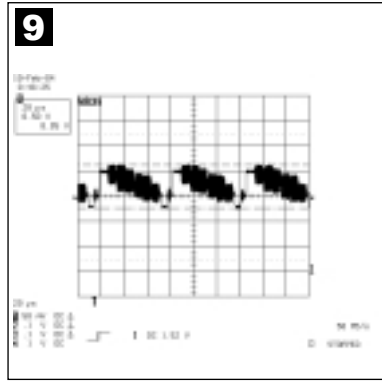


* This Document can not be used without Samsung's authorization.

11-2 Video Decoder Schematic Diagram

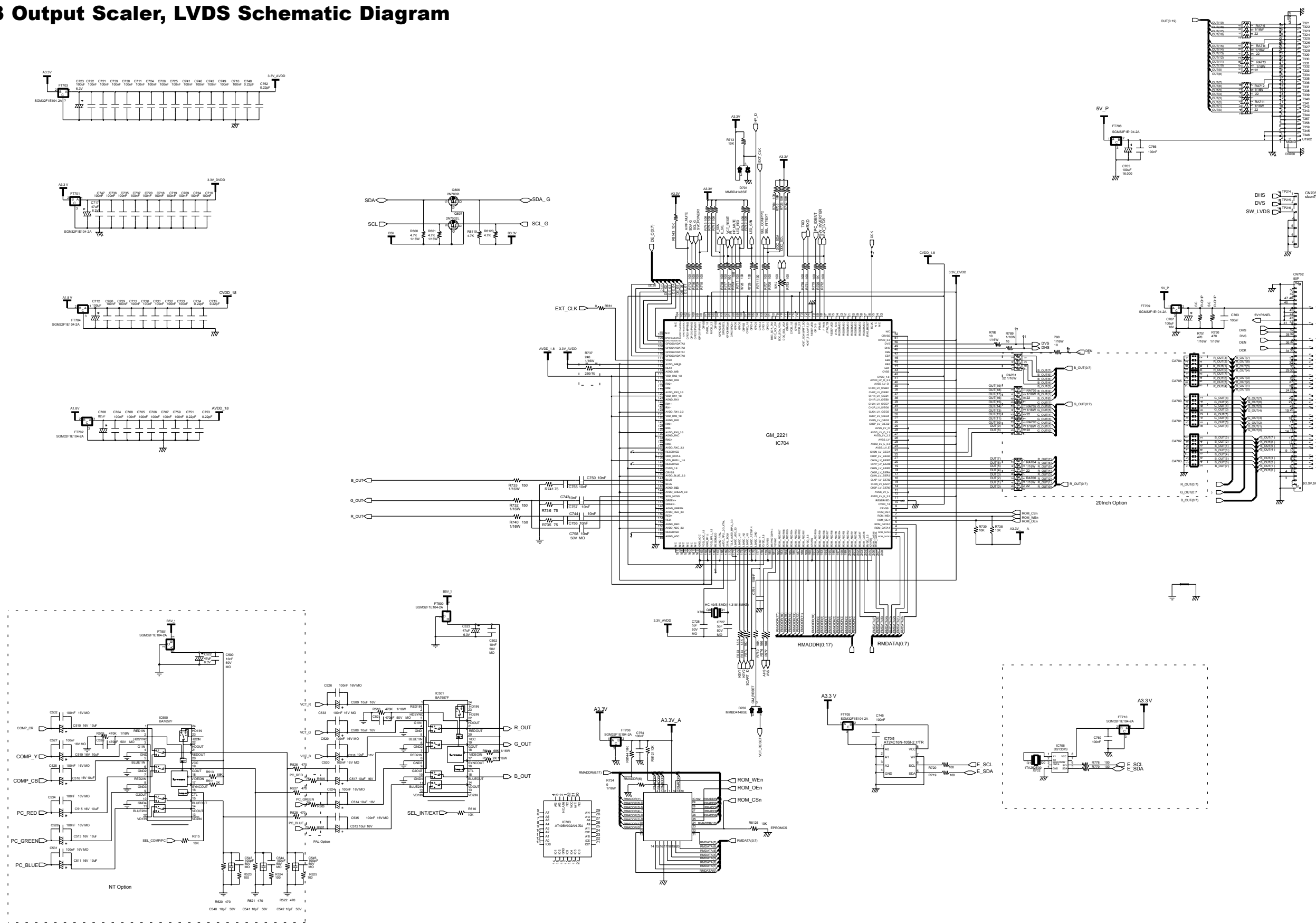


11 Schematic Diagrams



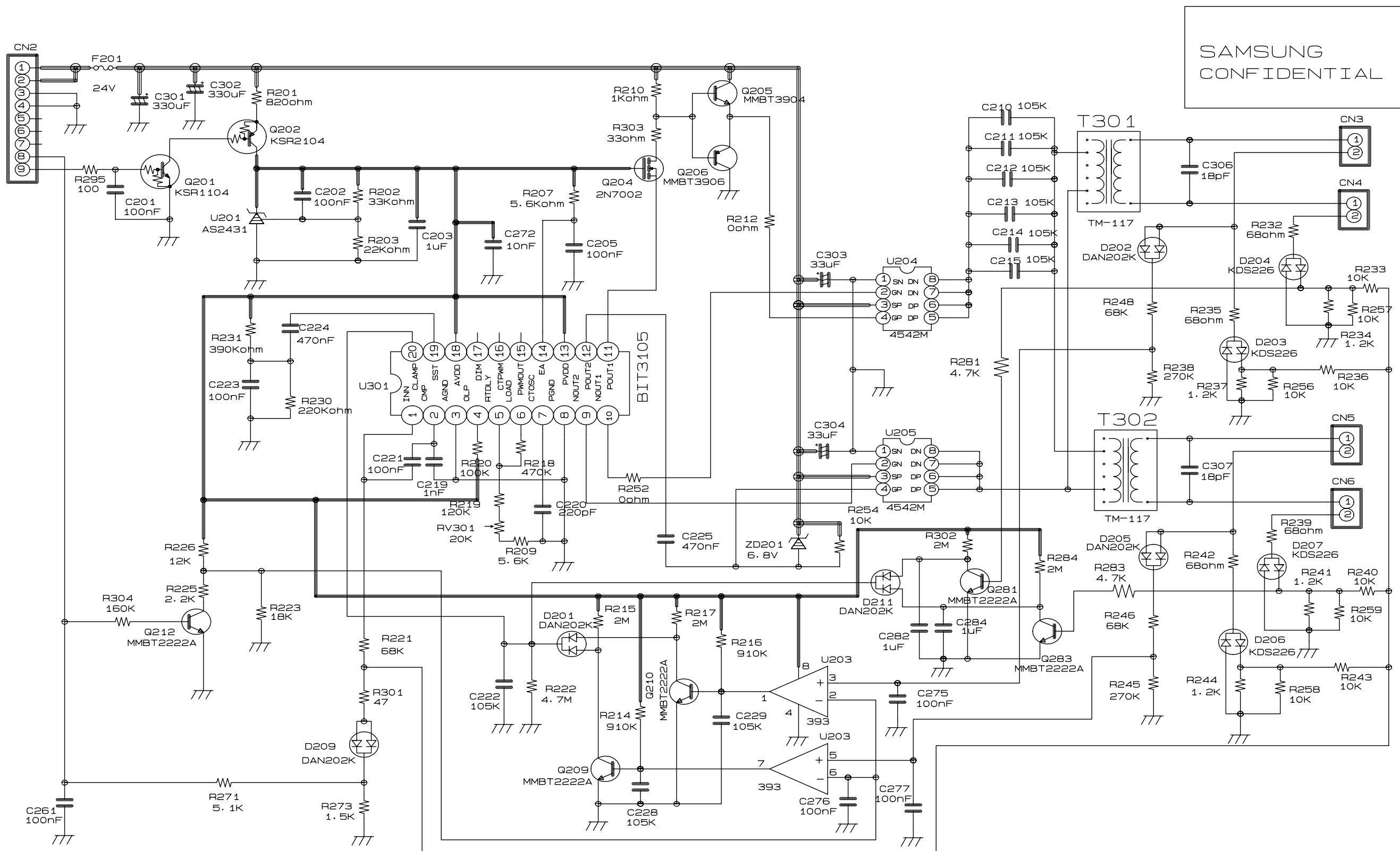
* This Document can not be used without Samsung's authorization.

11-3 Output Scaler, LVDS Schematic Diagram



* This Document can not be used without Samsung's authorization.

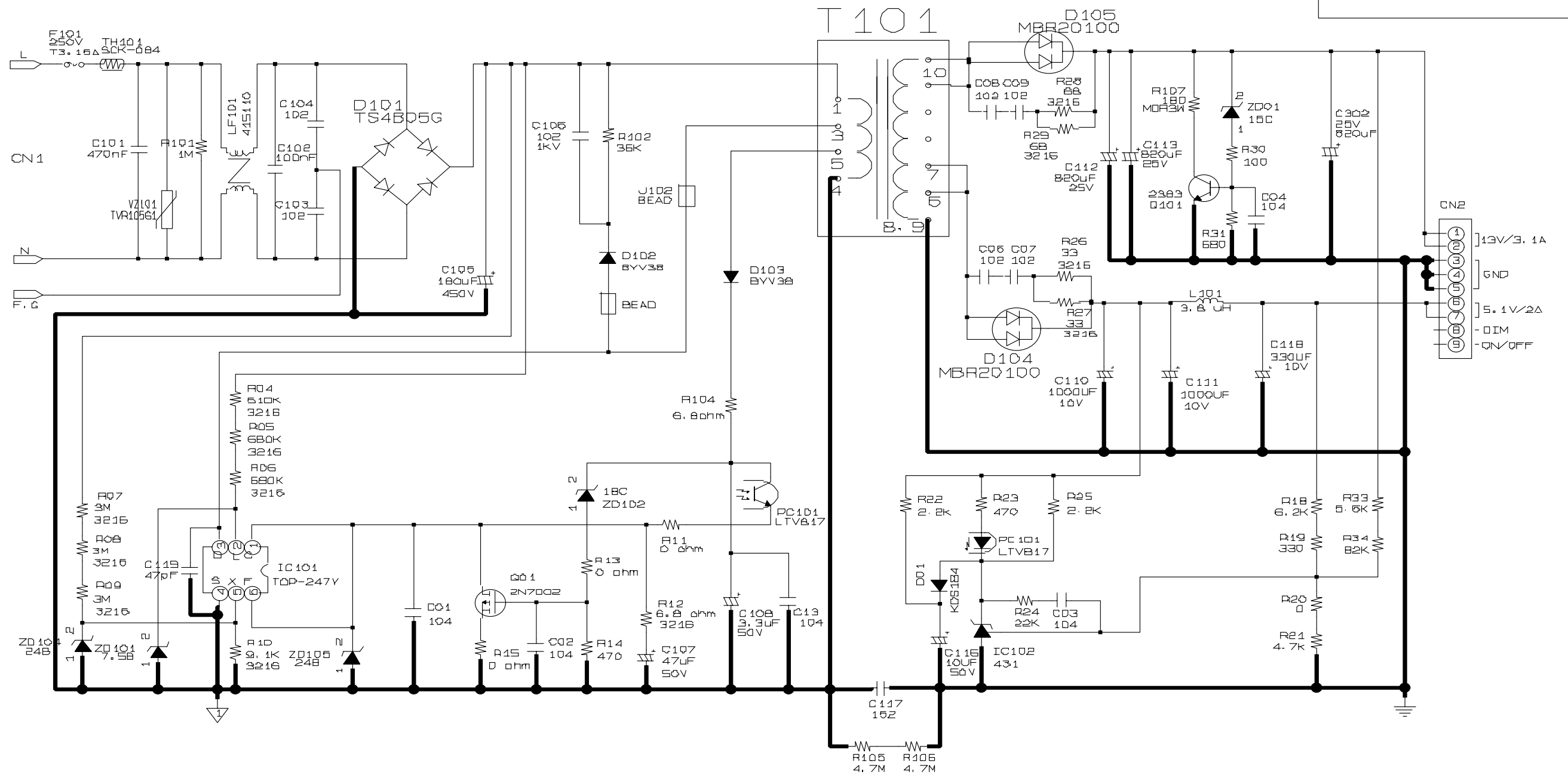
11-5 LW17M24C IP Board_2 Schematic Diagram



* This Document can not be used without Samsung's authorization.

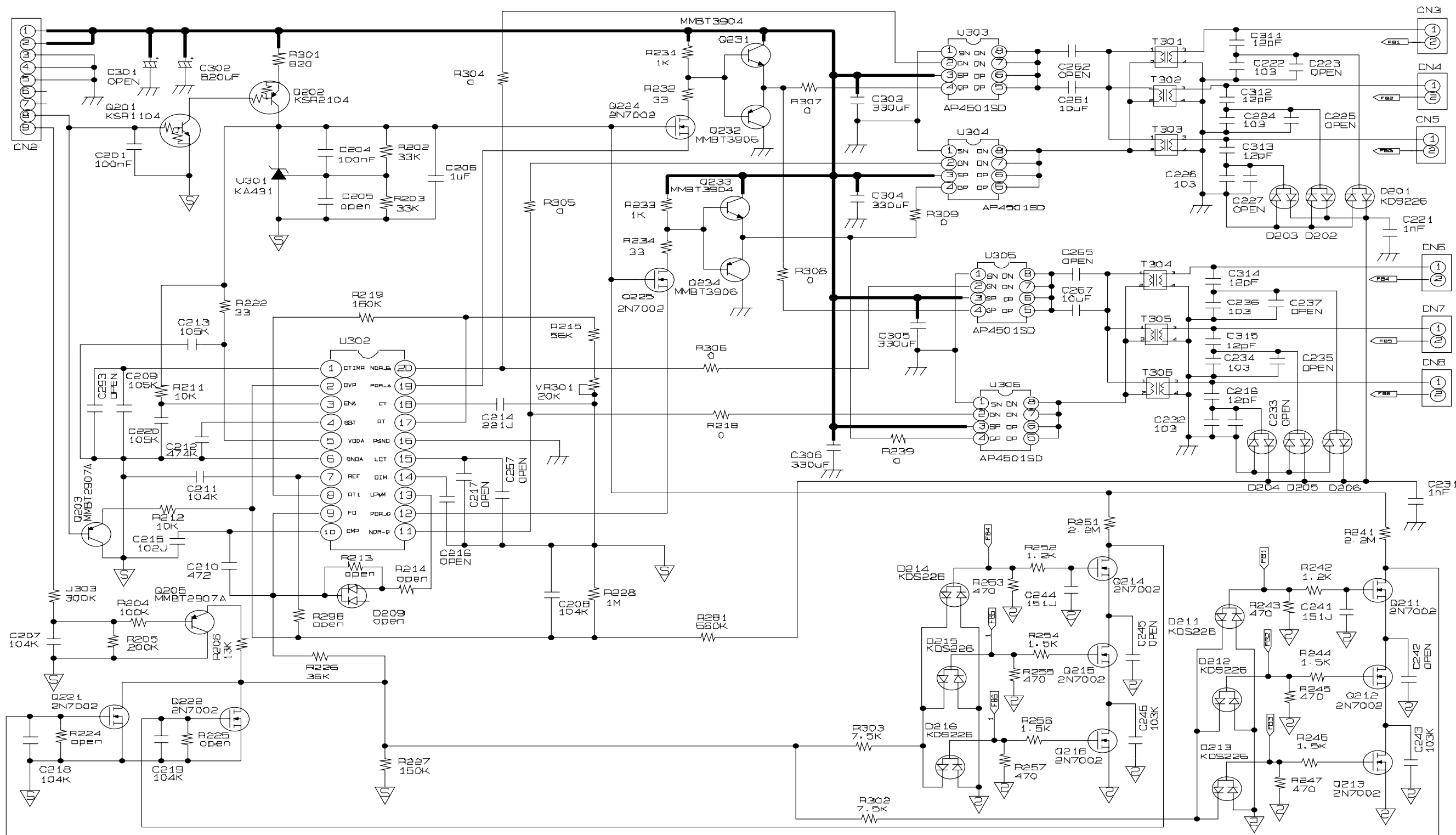
11-6 LW20M21C IP Board_1 Schematic Diagram

SAMSUNG
CONFIDENTIAL



* This Document can not be used without Samsung's authorization.

11-7 LW20M21C IP Board_2 Schematic Diagram



Memo



※ This Service Manual is a property of Samsung Electronics Co., Ltd. Any unauthorized use of Manual can be punished under applicable International and/or domestic law.

Samsung Electronics Co.,Ltd.

416, Maetan-3Dong, Yeongtong-Gu, Suwon City, Kyungki-Do, Korea, 443-742

Printed in Korea

P/N : BN82-00103P-00

URL : <http://itself.sec.samsung.co.kr/>

www.s-manuals.com