

SAMSUNG

CDMA TELEPHONE SCH-I535

SERVICE *Manual*

CDMA TELEPHONE

CONTENTS



1. Safety Precautions
2. Specification
3. Product Function
4. Exploded View and Parts list
5. MAIN Electrical Parts
6. Level 1 Repair
7. Level 2 Repair
8. Level 3 Repair
9. Reference data

Notice: All functionality, features, specifications, and other product information provided in this document, including but not limited to, benefits, design, pricing, components, performance, availability, and capabilities of the product are subject to change without notice. Samsung reserves the right to alter this document or the product described herein at anytime, without obligation to provide notification of such changes.

**SAMSUNG
ELECTRONICS**



2. Specification

2.1 CDMA/LTE General Specification

	US PCS	CDMA	GPS	LTE
Tx Freq. range	1850 ~ 1910MHz	824.04 ~ 848.97MHz		777 ~787 MHz
Rx Freq. range	1930 ~ 1990MHz	869.04 ~ 893.97MHz	1575.42MHz	746 ~ 756 MHz
Channel Bandwidth	1.23MHz	1.23MHz	2MHz	10 MHz
Channel Spacing	50KHz	30KHz	Not Used	180KHz
Number of Channel	1200	832	1	50(# of RB)
Duplex Separation	80MHz	45MHz	-	31MHz
Type of Emission	1M29F9W	1M28F9W	-	8M91G7D (10MHz BW,QPSK) 8M94W7D (10MHz BW,16QAM)
In/Output Impedance	50Ω	50Ω	50Ω	50Ω
Tx Local Frequency	$F_{Tx} * 0.7999$	$F_{Tx} * 1.6666$	-	
Rx Local Frequency	$F_{Rx} * 0.8888$	$F_{Rx} * 2$	$F_{Rx} * 2$	
TCXO Frequency	19.2MHz	19.2MHz	26MHz	38.4MHz
Frequency Stability	$(F_{Rx}-80MHz) \pm 150Hz$	$(F_{Rx}-45MHz) \pm 300Hz$		
Operating Temperature	-30°C ~ +60°C	-30°C ~ +60°C	-30°C ~ +60°C	-30°C ~ +60°C
MAX SAR	0.93 mW/g @ Body SAR	0.42 mW/g @ Body SAR		0.34 mW/g

2-2. GSM General Specification

	GSM850 Phase 1	EGSM 900 Phase 2	DCS1800 Phase 1	PCS1900	WCDMA 2100
Freq. Band[MHz] Uplink /Downlink	824~849 869~894	880~915 925~960	1710~1785 1805~1880	1850~1910 1930~1990	1922~1977 2112~2167
ARFCN range	128~251	0~124 & 975~1023	512~885	512~810	UL:9612~9888 DL:10562~10838
Tx/Rx spacing	45MHz	45MHz	95MHz	80MHz	190MHz
Mod. Bit rate/ Bit Period	270.833kbps 3.692us	270.833kbps 3.692us	270.833kbps 3.692us	270.833kbps 3.692us	3.84Mcps
Time Slot Period /Frame Period	576.9us 4.615ms	576.9us 4.615ms	576.9us 4.615ms	576.9us 4.615ms	FrameLength: 10ms Slotlength: 0.667ms
Modulation	0.3GMSK	0.3GMSK	0.3GMSK	0.3GMSK	QPSK HQPSK
MS Power	33~5dBm	33~5dBm	30~0dBm	30~0dBm	24~-50dBm
Power Class	5pcl ~ 19pcl	5pcl ~ 19pcl	0pcl ~ 15pcl	0pcl ~ 15pcl	³ (max+24dBm)
Sensitivity	-102dBm	-102dBm	-100dBm	-100dBm	-106.7dBm
TDMA Mux	8	8	8	8	
Cell Radius	35Km	35Km	2Km	2Km	2Km

2-3. GSM Tx Power Class

TX Power control level	GSM850	TX Power control level	EGSM900	TX Power control level	DCS1800	TX Power control level	PCS1900
5	33±2 dBm	5	33±2 dBm	0	30±3 dBm	0	30±3 dBm
6	31±2 dBm	6	31±2 dBm	1	28±3 dBm	1	28±3 dBm
7	29±2 dBm	7	29±2 dBm	2	26±3 dBm	2	26±3 dBm
8	27±2 dBm	8	27±2 dBm	3	24±3 dBm	3	24±3 dBm
9	25±2 dBm	9	25±2 dBm	4	22±3 dBm	4	22±3 dBm
10	23±2 dBm	10	23±2 dBm	5	20±3 dBm	5	20±3 dBm
11	21±2 dBm	11	21±2 dBm	6	18±3 dBm	6	18±3 dBm
12	19±2 dBm	12	19±2 dBm	7	16±3 dBm	7	16±3 dBm
13	17±2 dBm	13	17±2 dBm	8	14±3 dBm	8	14±3 dBm
14	15±2 dBm	14	15±2 dBm	9	12±4 dBm	9	12±4 dBm
15	13±2 dBm	15	13±2 dBm	10	10±4 dBm	10	10±4 dBm
16	11±3 dBm	16	11±3 dBm	11	8±4 dBm	11	8±4 dBm
17	9±3dBm	17	9±3dBm	12	6±4 dBm	12	6±4 dBm
18	7±3 dBm	18	7±3 dBm	13	4±4 dBm	13	4±4 dBm
19	5±3 dBm	19	5±3 dBm	14	2±5 dBm	14	2±5 dBm
				15	0±5 dBm	15	0±5 dBm

3. Operation Instruction and Installation

Main Function

- Android 4.0 OS
- CDMA/PCS 850/1900 MHz, EVDO, LTE B13, Global Roaming
- GSM Quad, EDGE, WCDMA2100
- HSPA+ 21Mbps, LTE 100Mbps
- 8MP AF with LED Flash , 1.9MP Front camera
- 4.8" Super AMOLED plus, Full touch bar
- A-GPS, Glonass / BT v4.0 / USB v2.0 / WiFi (802.11 a/b/g/n 2.4+5GHz)
- Full-HD Recording (1080p)
- Sensors: Accelerometer, Geo-magnetic, Gyro-sensor, Light Sensor, Proximity Sensor, Barometer
- TouchWiz 4.0 UI
- NFC

9. Reference Abbreviate

Reference Abbreviate

- **AAC**: Advanced Audio Coding.
- **AVC** : Advanced Video Coding.
- **BER** : Bit Error Rate
- **BPSK**: Binary Phase Shift Keying
- **CA** : Conditional Access
- **CDM** : Code Division Multiplexing
- **C/I** : Carrier to Interference
- **DMB** : Digital Multimedia Broadcasting
- **EN** : European Standard
- **ES** : Elementary Stream
- **ETSI**: European Telecommunications Standards Institute
- **MPEG**: Moving Picture Experts Group
- **PN** : Pseudo-random Noise
- **PS** : Pilot Symbol
- **QPSK**: Quadrature Phase Shift Keying
- **RS** : Reed-Solomon
- **SI** : Service Information
- **TDM** : Time Division Multiplexing
- **TS** : Transport Stream

1. Safety Precautions

1-1. Repair Precaution

Before attempting any repair or detailed tuning, shield the device from RF noise or static electricity discharges.

Use only demagnetized tools that are specifically designed for small electronic repairs, as most electronic parts are sensitive to electromagnetic forces.

Use only high quality screwdrivers when servicing products. Low quality screwdrivers can easily damage the heads of screws.

Use only conductor wire of the properly gauge and insulation for low resistance, because of the low margin of error of most testing equipment.

We recommend 22-gauge twisted copper wire.

Hand-soldering is not recommended, because printed circuit boards (PCBs) can be easily damaged, even with relatively low heat. Never use a soldering iron with a power rating of more than 100 watts and use only lead-free solder with a melting point below 250°C (482°F).

Prior to disassembling the battery charger for repair, ensure that the AC power is disconnected. Always use the replacement parts that are registered in the SEC system. Third-party replacement parts may not function properly.

1-2. ESD(Electrostatically Sensitive Devices) Precaution

Many semiconductors and ESDs in electronic devices are particularly sensitive to static discharge and can be easily damaged by it. We recommend protecting these components with conductive anti-static bags when you store or transport them.

Always use an anti-static strap or wristband and remove electrostatic buildup or dissipate static electricity from your body before repairing ESDs.

Ensure that soldering irons have AC adapter with ground wires and that the ground wires are properly connected.

Use only desoldering tools with plastic tips to prevent static discharge.

Properly shield the work environment from accidental electrostatic discharge before opening packages containing ESDs.

The potential for static electricity discharge may be increased in low humidity environments, such as air-conditioned rooms. Increase the airflow to the working area to decrease the chance of accidental static electricity discharges.





6. Level 1 Repair

6-1. S/W Download

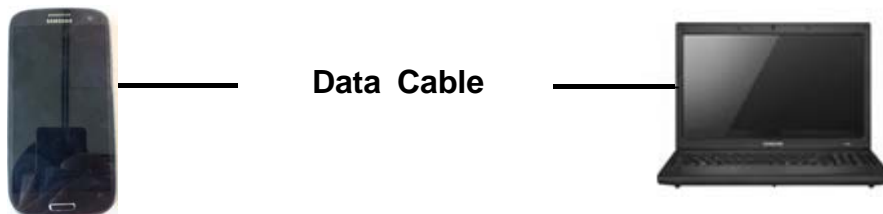
6-1-1. Pre-require for S/W Downloading

- Download Program or later version
- SCH-I535 Mobile Phone
- Data Cable

- Service Parts

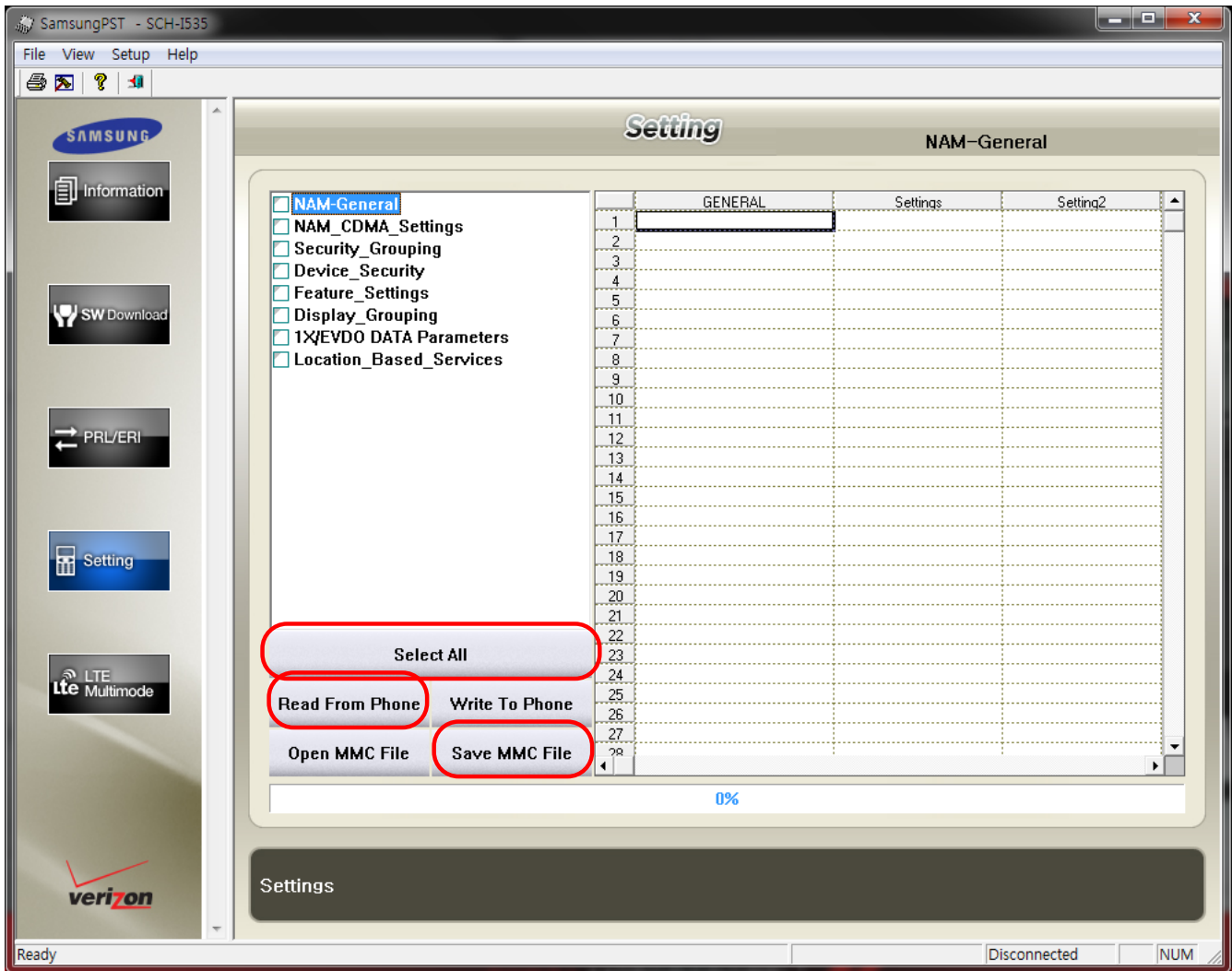
Anyway Jig	Adaptor	IF Cable	RF Cable
			
GH99-36900B	GH99-38251A	GH39-01290A	GH39-00985A

※ Settings



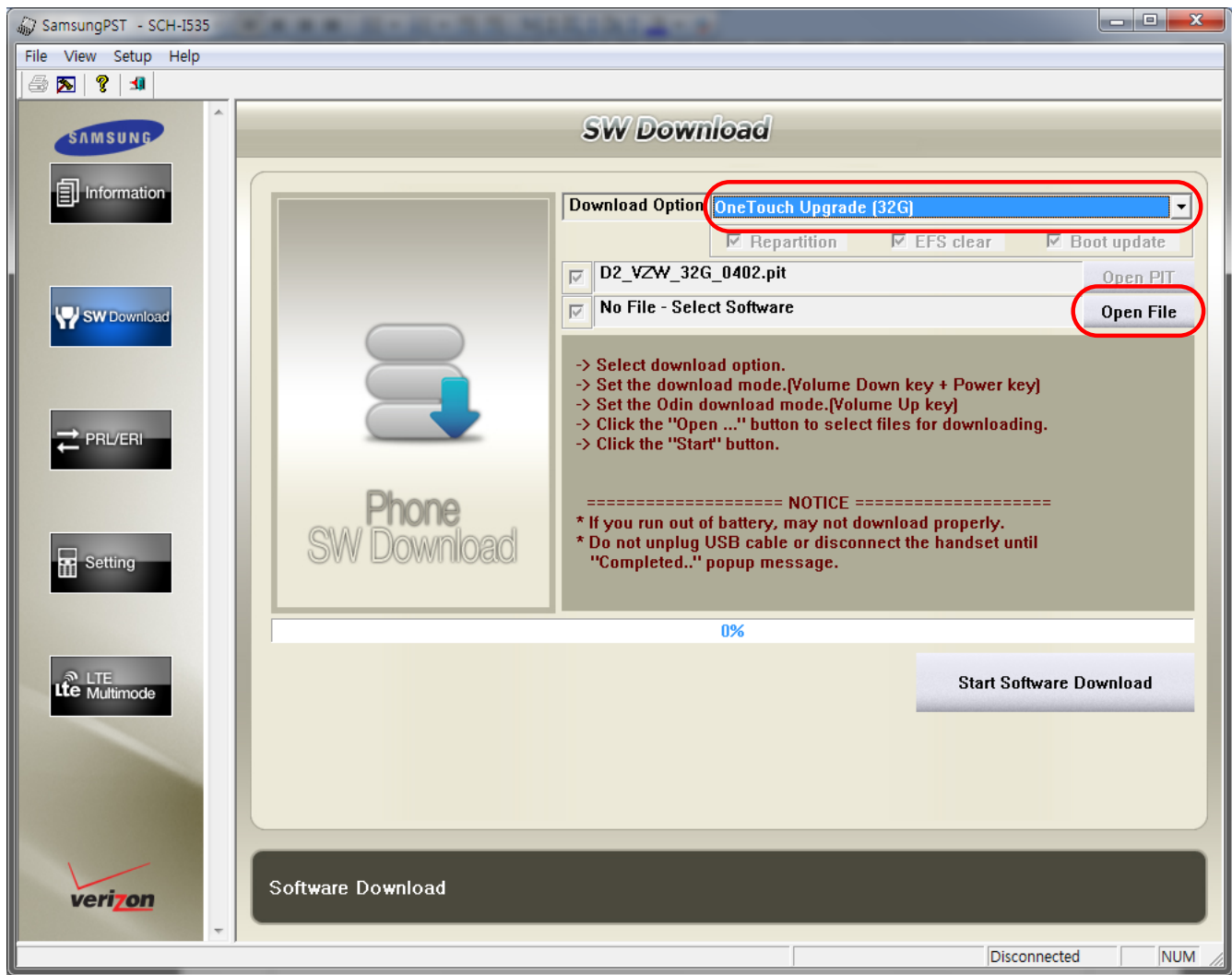
6-1-2. Manual Back up phone setting

- Booting a phone and change DM mode. (Key String : *#7284#)
- Press "Setting" button on the tool bar in the left side of window.
- Select the "Slect All"
- Select the "Read From Phone"
- Select the "Save MMC File" and make the backup file.
(ex. d:\backup\I535_backup...)



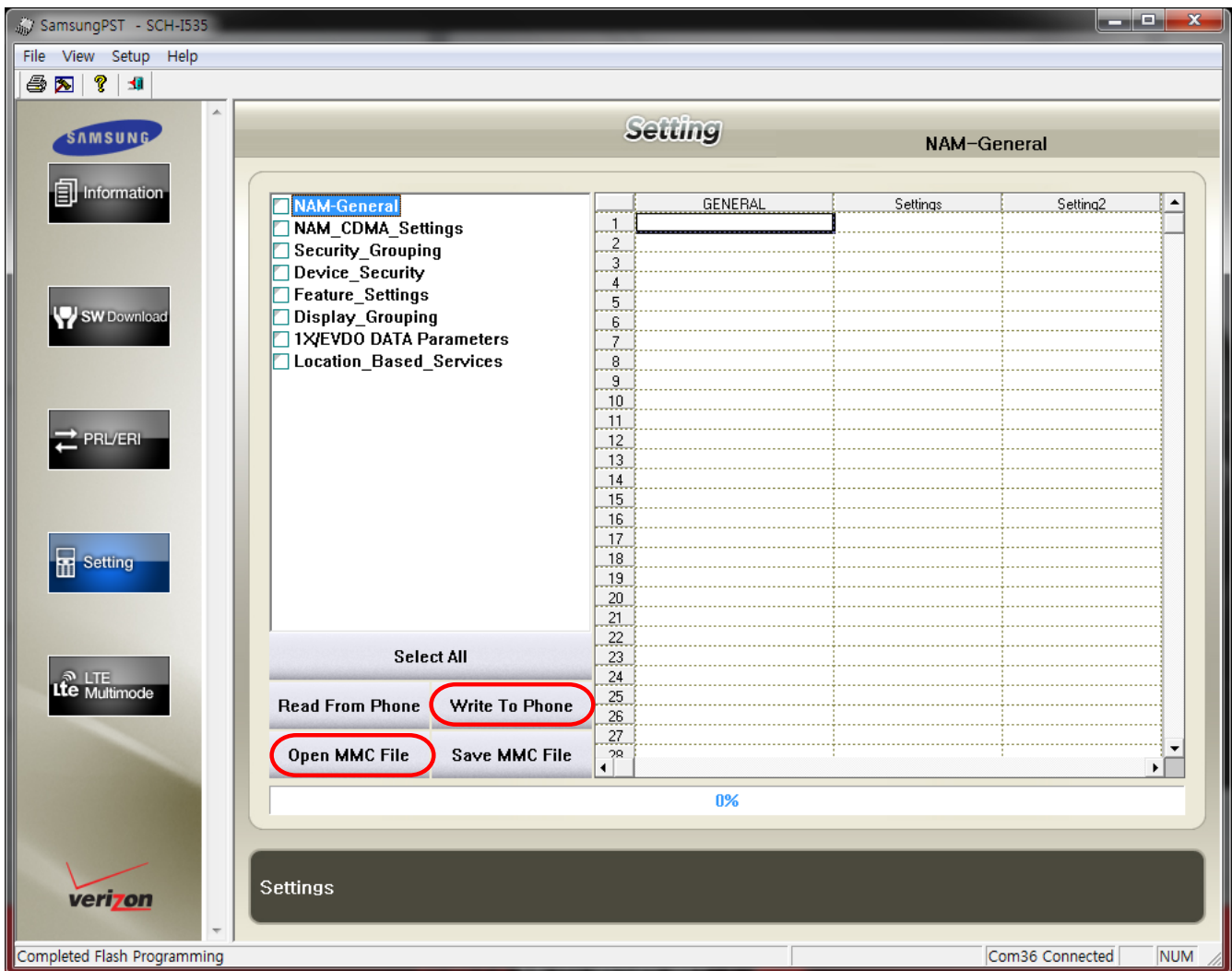
6-1-3. Manual Download S/W

- In power off state, press "Vol Down Key + Home key + Power Key" and press "Vol Up Key" to power up the phone with emergency download mode.
- Press "SW Download" button on the tool bar in the left side of window.
- Select the "Download Option".
If your device is 32G eMMC, select "OneTouch Upgrade[32G]".
If your device is 16G eMMC, select "OneTouch Upgrade[16G]".
- Open the binary.
- Download the binary.
- If finishing downloading, you can see "Completed Flash Programming" message (Erasing flash can be performed automatically.)
(If you have an error on your handset LCD, detach the battery to turn off the phone.)



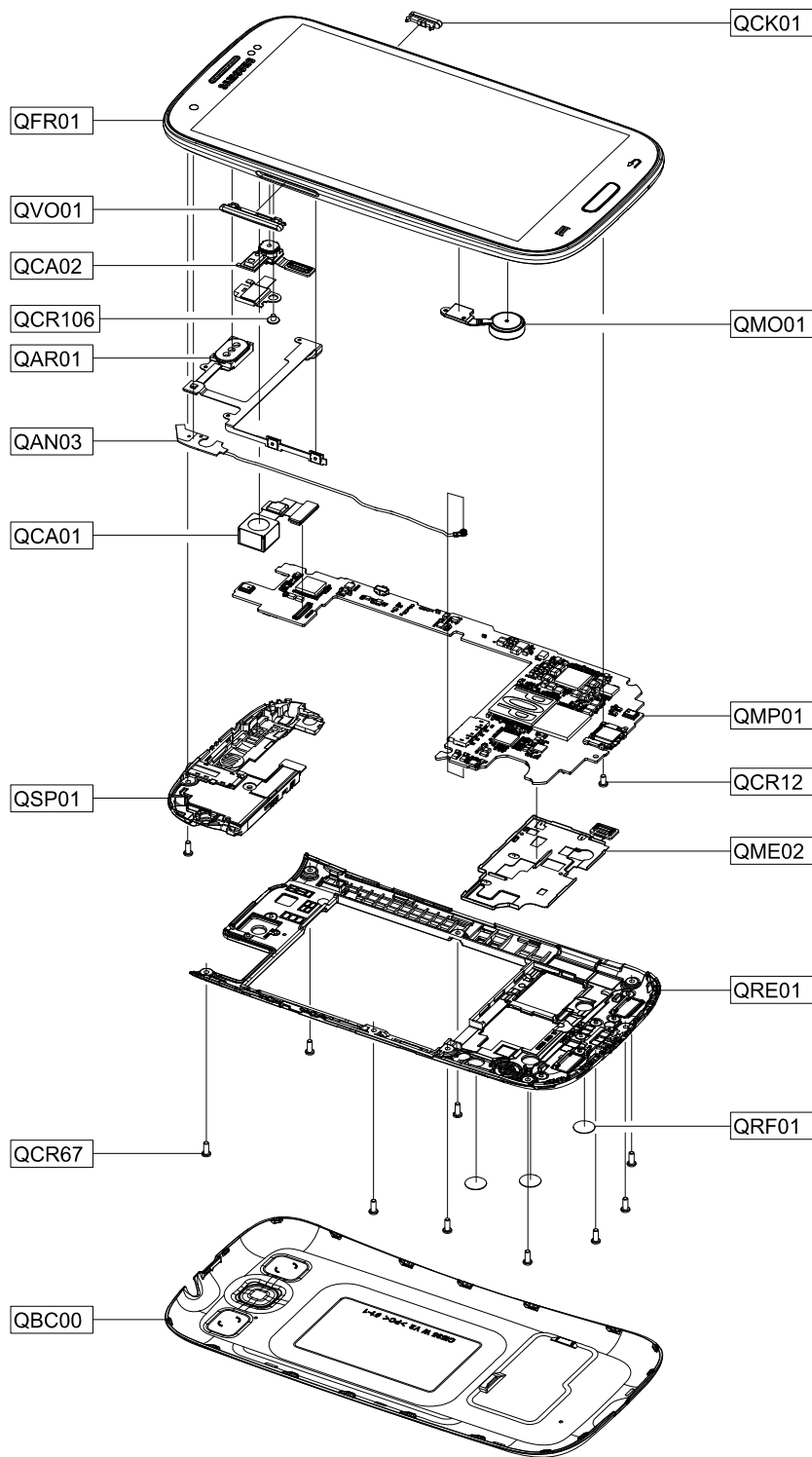
6-1-4. Restore Settings.

- Press "Setting" button on the tool bar in the left side of window.
- Verify all the items are checked.
- Press "Open MMC File" to read saved items.
- Press "Write To Phone" to write the saved items.



4. Exploded View and Parts List

4-1. Cellular phone Exploded View



4-2. Cellular phone Parts list

QCR12	SCREW-MACHINE	6001-001530
QCR67	SCREW-MACHINE	6001-002083
QCR106	SCREW-MACHINE	6001-002905
QRF01	TAPE ETC-RF HOLE	GH02-00951B
QMO01	MOTOR LINEAR VIBRATION-LINEAR MOTOT FPCB	GH31-00585A
QAR01	MODULE-GT_I9300 RCV+LED+V/K	GH59-12217A
QSP01	MODULE-SPK+EARJACK (SCH_I535)	GH59-12283B
QAN03	UNIT-ANT SUB PCB ASSY(SCH_I535)	GH59-12416A
QCK01	KEY-POWER	GH64-00356B
QVO01	KEY-VOLUME	GH64-00403B
QMP01	A/S ASSY-PBA MAIN (VZW)	GH82-06684A
QCA01	ASSY CAMERA-8M 1/3.2 LSI(GT_I9300)	GH96-05593A
QME02	ASSY MODULE-SUB PBA+BRACKET(SCH_I535)	GH96-05723A
QCA02	ASSY CAMERA-1.9M MODULE(SGH_I747)	GH96-05772A
QFR01	MEA FRONT-OCTA LCD ASSY(SVC)_WHITE	GH97-13729B
QRE01	ASSY CASE-REAR	GH98-23218B
QBC00	ASSY COVER-BATT	GH98-23219B

5. MAIN Electrical Parts List

SEC CODE	Design LOC	Description
0403-001688	D1100	USFZ5.6V-RTK/H
0403-001688	ZD1101	USFZ5.6V-RTK/H
0403-001832	ZD1404	BZX884-C5V6
0404-001172	C1127	RB520S-30
0406-001267	ZD1100	RCLAMP0521P
0406-001327	ZD1401	PESD5V0L5UF
0406-001369	U1108	RCLAMP3654P.TCT
0406-001506	ZD1000	UCLAMP0541Z
0406-001506	ZD1001	UCLAMP0541Z
0406-001506	ZD1002	UCLAMP0541Z
0406-001506	ZD1003	UCLAMP0541Z
0406-001506	ZD1004	UCLAMP0541Z
0406-001506	ZD1005	UCLAMP0541Z
0406-001506	ZD1007	UCLAMP0541Z
0406-001506	ZD1008	UCLAMP0541Z
0406-001506	ZD1012	UCLAMP0541Z
0406-001506	ZD1400	UCLAMP0541Z
0406-001506	ZD1402	UCLAMP0541Z
0406-001531	D1101	PTVS18VS1UR
0504-001113	Q1300	DTC144EM
0505-002341	Q700	SI1013X-T1-GE3
0505-002388	Q600	RUE003N02
0505-002388	Q601	RUE003N02
0505-002652	Q1102	RUM002N02GT2L
0505-002748	Q1103	FDMC510P
0601-003079	LED1300	SPFCW04301BLS0D0T0
0801-003449	U1203	74AUP1T34
1001-001546	U1305	STG5223QTR
1001-001726	U1106	FSA9485UCX
1001-001736	U100	XM0825SE-BL0901
1001-001736	U105	XM0825SE-BL0901
1001-001753	U101	XM0831SZ-AL1001
1001-001770	C108	RF1602S
1001-001771	U401	XM0831SY-AL1201
1001-001771	U402	XM0831SY-AL1201
1003-002415	U1104	ISA1000A

1003-002469	U1401	FXMA2102UMX
1105-002388	UCP700UP	K3PE0E000A-XGC2
1107-002139	UME700	KLMBG8FE4B-B001
1201-002608	U501	MAX2659ELT
1201-003065	PAM400	AWC6323RM47Q7
1201-003191	PAM301	ACPM-5013-SG1
1201-003315	C1038	TPA2039D1YFF
1201-003338	U103	TQM7M9023
1201-003408	PAM300	ACPM-5002-SG1
1202-001119	U1307	MIC842LYC5
1202-001120	U1200	NCX2200GM
1202-001120	U901	NCX2200GM
1202-001121	U1004	NCX2220GM
1203-004818	U1003	RP103K181D-TR
1203-004819	U1001	RP103K281D-TR
1203-004819	U1300	RP103K281D-TR
1203-004819	U1304	RP103K281D-TR
1203-005373	U1109	NCP347MTAHTBG
1203-005485	U1105	MIC5365-3.0YMT
1203-005512	U1208	MIC5365-3.3YMT
1203-006860	U1308	MAX8952EWE-T
1203-006874	U1412	RP154L006A-E2
1203-007142	U1202	AAT2146MIJS-0.6-T1
1203-007196	U1000	RP103K221D-TR
1203-007214	U1100	MAX17048G+T
1203-007225	U900	PM8921
1203-007256	U1306	AAT1290AIWO-T1
1203-007269	U1206	STOD13CMTPUR
1203-007324	U1301	RP114K121D-TR
1203-007324	U1302	RP114K121D-TR
1203-007380	U1107	SMB347SET-1694Y
1204-003328	U1002	ES305B
1204-003364	U1303	S5C73M3X01-Y040
1205-004165	U200	RTR8600
1205-004211	U500	RTR8605
1205-004233	U1400	SII9244BO
1205-004444	R1003	WCD9310

Main Electrical Parts List

1205-004465	UCP700	MSM8960
1205-004474	C1121	FPF1048BUCX
1205-004474	U1321	FPF1048BUCX
1205-004510	U601	PN65NET1/C3
1209-002096	U1103	BMP182
1209-002124	C1104	AK8963C
1209-002132	U1102	MPU-6050
1404-001724	TH100	NCP03WF104F05RL
1404-001724	TH400	NCP03WF104F05RL
1404-001724	TH700	NCP03WF104F05RL
1404-001724	TH901	NCP03WF104F05RL
1405-001231	V400	ASES12U020R2
1405-001296	V1000	IECS0505C040FR
2007-000168	R1102	RC1005J474CS
2007-001284	R1120	RC1005J4R7CS
2007-001317	R743	RC1005J911CS
2007-001317	R754	RC1005J911CS
2007-003015	R1000	MCR01MZP5J2R2
2007-003015	R1001	MCR01MZP5J2R2
2007-007136	R207	RC1005F472CS
2007-007136	R506	RC1005F472CS
2007-007156	R1127	RC1005J1R0CS
2007-007484	R752	MCR01MZP5F4641
2007-007489	R1206	RK73H1ETP1503F
2007-007489	R1408	RK73H1ETP1503F
2007-007489	R1409	RK73H1ETP1503F
2007-007538	R1211	RK73H1ETP5602F
2007-007741	R1403	M5534204B10E0R
2007-007741	R737	M5534204B10E0R
2007-007741	R916	M5534204B10E0R
2007-007741	R919	M5534204B10E0R
2007-007766	R614	RK73H1ETP2001F
2007-007798	R1313	RC1005F0100CS
2007-007875	R1330	RK73H1ETP1603F
2007-008043	R303	MCR006YZPJ820
2007-008045	R1111	ERJ1GEJ101C
2007-008045	R1315	ERJ1GEJ101C

2007-008045	R406	ERJ1GEJ101C
2007-008045	R407	ERJ1GEJ101C
2007-008045	R611	ERJ1GEJ101C
2007-008045	R921	ERJ1GEJ101C
2007-008048	R1405	ERJ1GENJ201X
2007-008048	R1406	ERJ1GENJ201X
2007-008048	R602	ERJ1GENJ201X
2007-008048	R736	ERJ1GENJ201X
2007-008052	R1100	ERJ1GENJ472X
2007-008052	R1113	ERJ1GENJ472X
2007-008052	R1200	ERJ1GENJ472X
2007-008052	R1307	ERJ1GENJ472X
2007-008052	R1311	ERJ1GENJ472X
2007-008052	R1401	ERJ1GENJ472X
2007-008052	R1402	ERJ1GENJ472X
2007-008052	R1411	ERJ1GENJ472X
2007-008052	R1412	ERJ1GENJ472X
2007-008052	R1413	ERJ1GENJ472X
2007-008052	R1417	ERJ1GENJ472X
2007-008052	R740	ERJ1GENJ472X
2007-008052	R741	ERJ1GENJ472X
2007-008055	R1010	ERJ1GENJ104X
2007-008055	R1011	ERJ1GENJ104X
2007-008055	R1014	ERJ1GENJ104X
2007-008055	R1015	ERJ1GENJ104X
2007-008055	R1110	ERJ1GENJ104X
2007-008055	R1118	ERJ1GENJ104X
2007-008055	R1123	ERJ1GENJ104X
2007-008055	R1126	ERJ1GENJ104X
2007-008055	R1203	ERJ1GENJ104X
2007-008055	R1331	ERJ1GENJ104X
2007-008055	R1332	ERJ1GENJ104X
2007-008211	R718	MCR006YZPJ200
2007-008312	R1024	RC1005F394CS
2007-008403	R1106	RC1005F364CS
2007-008419	R1013	ERJ1GEJ102C
2007-008419	R1325	ERJ1GEJ102C

Main Electrical Parts List

2007-008419	R616	ERJ1GEJ102C
2007-008419	R617	ERJ1GEJ102C
2007-008420	R1020	RMC-1/20-330JPA
2007-008420	R1201	RMC-1/20-330JPA
2007-008420	R1425	RMC-1/20-330JPA
2007-008477	R1306	RK73B1HTTB471J
2007-008477	R1314	RK73B1HTTB471J
2007-008483	R101	RMC1/20473JPA
2007-008483	R1416	RMC1/20473JPA
2007-008483	R1418	RMC1/20473JPA
2007-008483	R1419	RMC1/20473JPA
2007-008483	R1421	RMC1/20473JPA
2007-008483	R1422	RMC1/20473JPA
2007-008483	R400	RMC1/20473JPA
2007-008483	R605	RMC1/20473JPA
2007-008483	R606	RMC1/20473JPA
2007-008483	R607	RMC1/20473JPA
2007-008483	R608	RMC1/20473JPA
2007-008483	R911	RMC1/20473JPA
2007-008486	R1112	ERJ1GEJ204C
2007-008516	R1027	ERJ1GEJ103C
2007-008516	R1116	ERJ1GEJ103C
2007-008516	R1224	ERJ1GEJ103C
2007-008516	R1308	ERJ1GEJ103C
2007-008516	R1309	ERJ1GEJ103C
2007-008516	R1312	ERJ1GEJ103C
2007-008516	R1317	ERJ1GEJ103C
2007-008516	R1320	ERJ1GEJ103C
2007-008516	R1323	ERJ1GEJ103C
2007-008516	R1324	ERJ1GEJ103C
2007-008516	R1329	ERJ1GEJ103C
2007-008516	R1404	ERJ1GEJ103C
2007-008516	R1407	ERJ1GEJ103C
2007-008516	R1410	ERJ1GEJ103C
2007-008516	R1420	ERJ1GEJ103C
2007-008516	R1427	ERJ1GEJ103C
2007-008516	R604	ERJ1GEJ103C

2007-008516	R714	ERJ1GEJ103C
2007-008516	R745	ERJ1GEJ103C
2007-008516	R746	ERJ1GEJ103C
2007-008516	R747	ERJ1GEJ103C
2007-008531	R1017	MCR006MZPJ0100
2007-008531	R1018	MCR006MZPJ0100
2007-008531	R1026	MCR006MZPJ0100
2007-008531	R1121	MCR006MZPJ0100
2007-008531	R1322	MCR006MZPJ0100
2007-008588	R1008	MCR006YZPJ222
2007-008588	R1009	MCR006YZPJ222
2007-008588	R1300	MCR006YZPJ222
2007-008588	R1301	MCR006YZPJ222
2007-008588	R1304	MCR006YZPJ222
2007-008588	R1305	MCR006YZPJ222
2007-008588	R1310	MCR006YZPJ222
2007-008588	R706	MCR006YZPJ222
2007-008588	R707	MCR006YZPJ222
2007-008588	R708	MCR006YZPJ222
2007-008588	R709	MCR006YZPJ222
2007-008588	R712	MCR006YZPJ222
2007-008588	R713	MCR006YZPJ222
2007-008588	R722	MCR006YZPJ222
2007-008588	R723	MCR006YZPJ222
2007-008588	R732	MCR006YZPJ222
2007-008588	R733	MCR006YZPJ222
2007-008588	R734	MCR006YZPJ222
2007-008588	R735	MCR006YZPJ222
2007-008774	R1117	ERJ1GEJ2R2C
2007-008774	R1119	ERJ1GEJ2R2C
2007-008774	R1124	ERJ1GEJ2R2C
2007-008774	R1125	ERJ1GEJ2R2C
2007-008774	R925	ERJ1GEJ2R2C
2007-008786	R1204	RMC1/20K333JTP
2007-008806	R300	RC0603J510CS
2007-008816	R1319	MCR006MZPJ822
2007-009084	R1016	MCR006YZPJ105

Main Electrical Parts List

2007-009084	R1022	MCR006YZPJ105
2007-009084	R1023	MCR006YZPJ105
2007-009084	R1025	MCR006YZPJ105
2007-009084	R1115	MCR006YZPJ105
2007-009084	R1122	MCR006YZPJ105
2007-009084	R1202	MCR006YZPJ105
2007-009084	R1205	MCR006YZPJ105
2007-009084	R1223	MCR006YZPJ105
2007-009084	R1326	MCR006YZPJ105
2007-009084	R1400	MCR006YZPJ105
2007-009084	R612	MCR006YZPJ105
2007-009084	R613	MCR006YZPJ105
2007-009084	R619	MCR006YZPJ105
2007-009084	R923	MCR006YZPJ105
2007-009108	R1114	RC0603J154CS
2007-009115	R1207	RC0603J240CS
2007-009115	R1208	RC0603J240CS
2007-009157	R103	MCR006YZPF1003
2007-009157	R1303	MCR006YZPF1003
2007-009157	R404	MCR006YZPF1003
2007-009157	R724	MCR006YZPF1003
2007-009157	R725	MCR006YZPF1003
2007-009157	R726	MCR006YZPF1003
2007-009157	R727	MCR006YZPF1003
2007-009157	R738	MCR006YZPF1003
2007-009157	R903	MCR006YZPF1003
2007-009157	R908	MCR006YZPF1003
2007-009157	R910	MCR006YZPF1003
2007-009157	R913	MCR006YZPF1003
2007-009157	R914	MCR006YZPF1003
2007-009157	R915	MCR006YZPF1003
2007-009171	R1028	MCR006YZPJ513
2007-009171	R1029	MCR006YZPJ513
2007-009182	R905	ERJ1GEF2203C
2007-009201	R402	MCR006YZPJ300
2007-009212	R1004	MCR006YZPF1001
2007-009233	R102	MCR006YZPJ514

2007-009233	R401	MCR006YZPJ514
2007-009314	R1321	MCR006MZPJ334
2007-009314	R922	MCR006MZPJ334
2007-009408	R1316	ERJ1GEF222C
2007-009408	R1318	ERJ1GEF222C
2007-009408	R615	ERJ1GEF222C
2007-009807	R907	ERJ1GEF9102C
2007-009849	R1021	MCR006YZPJ274
2007-009879	R710	ERJ1GEF1101C
2007-009879	R711	ERJ1GEF1101C
2007-009920	R701	RC0603F241CS
2007-009920	R702	RC0603F241CS
2007-009920	R703	RC0603F241CS
2007-009920	R704	RC0603F241CS
2007-009920	R748	RC0603F241CS
2007-009920	R749	RC0603F241CS
2007-009920	R750	RC0603F241CS
2007-009920	R751	RC0603F241CS
2007-009969	R1005	MCR006YZPF1201
2203-000233	C1212	GRP1555C1H101J
2203-000233	C124	GRP1555C1H101J
2203-000233	C522	GRP1555C1H101J
2203-000233	C525	GRP1555C1H101J
2203-000233	C526	GRP1555C1H101J
2203-000438	C1137	GRP155R71H102K
2203-000725	C1115	GRP155R71H392KA01E
2203-001033	C222	GRP155R71E562KD01E
2203-001101	C1102	GRP155R71E682KA01E
2203-001239	C1105	GRP1555C1H820JD01E
2203-002677	C105	CL05CR75BB5NNNC
2203-002687	C1133	GRP155R71H122KD01E
2203-005682	C1414	GRP0335C1E330JD01E
2203-005682	C417	GRP0335C1E330JD01E
2203-005682	C427	GRP0335C1E330JD01E
2203-005682	C430	GRP0335C1E330JD01E
2203-005682	C435	GRP0335C1E330JD01E
2203-005682	C447	GRP0335C1E330JD01E

Main Electrical Parts List

2203-005682	C450	GRP0335C1E330JD01E
2203-005682	C454	GRP0335C1E330JD01E
2203-005682	C455	GRP0335C1E330JD01E
2203-005682	C622	GRP0335C1E330JD01E
2203-005682	C626	GRP0335C1E330JD01E
2203-005683	C306	GRP0335C1E8R0DD01E
2203-005683	C443	GRP0335C1E8R0DD01E
2203-005683	C445	GRP0335C1E8R0DD01E
2203-005725	C113	GRP0335C1E220JD01E
2203-005725	C114	GRP0335C1E220JD01E
2203-005725	C115	GRP0335C1E220JD01E
2203-005725	C116	GRP0335C1E220JD01E
2203-005725	C123	GRP0335C1E220JD01E
2203-005725	C1338	GRP0335C1E220JD01E
2203-005725	C1339	GRP0335C1E220JD01E
2203-005725	C1350	GRP0335C1E220JD01E
2203-005725	C1351	GRP0335C1E220JD01E
2203-005726	C1006	GRM0335C1E560J
2203-005727	C144	CL03C120JA3GNNC
2203-005727	C314	CL03C120JA3GNNC
2203-005727	C602	CL03C120JA3GNNC
2203-005729	C1007	CL03C150JAGC
2203-005729	C1042	CL03C150JAGC
2203-005729	C1043	CL03C150JAGC
2203-005729	C707	CL03C150JAGC
2203-005729	C708	CL03C150JAGC
2203-005731	C1027	GRM0335C1E180J
2203-005731	C110	GRM0335C1E180J
2203-005731	C111	GRM0335C1E180J
2203-005732	C627	GRP0335C1E680JD01E
2203-005732	C628	GRP0335C1E680JD01E
2203-005734	C129	GRM0335C1E820JD01D
2203-005734	C130	GRM0335C1E820JD01D
2203-005734	C163	GRM0335C1E820JD01D
2203-005734	C164	GRM0335C1E820JD01D
2203-005734	C428	GRM0335C1E820JD01D
2203-005734	C438	GRM0335C1E820JD01D

2203-005734	C439	GRM0335C1E820JD01D
2203-005734	C440	GRM0335C1E820JD01D
2203-005734	C441	GRM0335C1E820JD01D
2203-005734	C451	GRM0335C1E820JD01D
2203-005736	C100	GRP0335C1E101JD01E
2203-005736	C102	GRP0335C1E101JD01E
2203-005736	C103	GRP0335C1E101JD01E
2203-005736	C131	GRP0335C1E101JD01E
2203-005736	C151	GRP0335C1E101JD01E
2203-005736	C152	GRP0335C1E101JD01E
2203-005736	C153	GRP0335C1E101JD01E
2203-005736	C154	GRP0335C1E101JD01E
2203-005736	C155	GRP0335C1E101JD01E
2203-005736	C309	GRP0335C1E101JD01E
2203-005736	C310	GRP0335C1E101JD01E
2203-005736	C311	GRP0335C1E101JD01E
2203-005736	C312	GRP0335C1E101JD01E
2203-005736	C318	GRP0335C1E101JD01E
2203-005736	C319	GRP0335C1E101JD01E
2203-005736	C327	GRP0335C1E101JD01E
2203-005736	C328	GRP0335C1E101JD01E
2203-005736	C329	GRP0335C1E101JD01E
2203-005736	C331	GRP0335C1E101JD01E
2203-005736	C404	GRP0335C1E101JD01E
2203-005736	C405	GRP0335C1E101JD01E
2203-005736	C407	GRP0335C1E101JD01E
2203-005736	C420	GRP0335C1E101JD01E
2203-005736	C421	GRP0335C1E101JD01E
2203-005736	C422	GRP0335C1E101JD01E
2203-005736	C423	GRP0335C1E101JD01E
2203-005736	C424	GRP0335C1E101JD01E
2203-005736	C425	GRP0335C1E101JD01E
2203-005736	C442	GRP0335C1E101JD01E
2203-005736	C444	GRP0335C1E101JD01E
2203-005736	C446	GRP0335C1E101JD01E
2203-005736	C448	GRP0335C1E101JD01E
2203-005736	C453	GRP0335C1E101JD01E

Main Electrical Parts List

2203-005736	C514	GRP0335C1E101JD01E
2203-005736	C527	GRP0335C1E101JD01E
2203-005736	C528	GRP0335C1E101JD01E
2203-005736	C529	GRP0335C1E101JD01E
2203-005736	C531	GRP0335C1E101JD01E
2203-005736	C605	GRP0335C1E101JD01E
2203-005736	C631	GRP0335C1E101JD01E
2203-005736	C634,	GRP0335C1E101JD01E
2203-005736	C960	GRP0335C1E101JD01E
2203-005736	L405	GRP0335C1E101JD01E
2203-005777	C419	CL03C010CA3GNNC
2203-005789	C330	ECJZEC1E0R5B
2203-005789	C409	ECJZEC1E0R5B
2203-005792	C134	CL03C1R5CA3GNNC
2203-005792	C418	CL03C1R5CA3GNNC
2203-005806	C146	GRP033R71C102KD01E
2203-005806	C449	GRP033R71C102KD01E
2203-005806	C617	GRP033R71C102KD01E
2203-005806	C710	GRP033R71C102KD01E
2203-005806	C920	GRP033R71C102KD01E
2203-005806	C962	GRP033R71C102KD01E
2203-006047	C1128	C1005X7R1C333K
2203-006048	C1403	GRM155R71A104K
2203-006120	C519	GRP033R71C221KD01E
2203-006120	C520	GRP033R71C221KD01E
2203-006120	C623	GRP033R71C221KD01E
2203-006120	R618	GRP033R71C221KD01E
2203-006141	C824	GRM188R61C105K
2203-006187	C324	GRM0335C1E3R9B
2203-006194	C1100	GRP033R70J103KA01E
2203-006194	C1101	GRP033R70J103KA01E
2203-006305	C138	CM03CG100J25AH
2203-006305	C603	CM03CG100J25AH
2203-006305	C618	CM03CG100J25AH
2203-006305	C620	CM03CG100J25AH
2203-006399	C941	GRM155R60J105KE19D
2203-006400	C1303	GRM033R71E102K

2203-006410	C315	CL03C1R8CA3GNNC
2203-006423	C1039	GRM33X5R104K6.3
2203-006423	C1114	GRM33X5R104K6.3
2203-006423	C1134	GRM33X5R104K6.3
2203-006423	C1217	GRM33X5R104K6.3
2203-006423	C1218	GRM33X5R104K6.3
2203-006423	C1239	GRM33X5R104K6.3
2203-006423	C1348	GRM33X5R104K6.3
2203-006423	C1404	GRM33X5R104K6.3
2203-006423	C1405	GRM33X5R104K6.3
2203-006423	C1407	GRM33X5R104K6.3
2203-006423	C1412	GRM33X5R104K6.3
2203-006423	C1413	GRM33X5R104K6.3
2203-006423	C500	GRM33X5R104K6.3
2203-006423	C506	GRM33X5R104K6.3
2203-006423	C518	GRM33X5R104K6.3
2203-006423	C608	GRM33X5R104K6.3
2203-006423	C609	GRM33X5R104K6.3
2203-006423	C611	GRM33X5R104K6.3
2203-006423	C629	GRM33X5R104K6.3
2203-006423	C700	GRM33X5R104K6.3
2203-006423	C706	GRM33X5R104K6.3
2203-006423	C957	GRM33X5R104K6.3
2203-006462	C536	GRM033R60J333K
2203-006556	C128	GRM0335C1E470JD01D
2203-006562	C922	CV05X5R105K10AH
2203-006611	C326	GRM0335C1E2R7CD01D
2203-006611	C416	GRM0335C1E2R7CD01D
2203-006611	C426	GRM0335C1E2R7CD01D
2203-006620	C1028	GRM033R71C151KD01D
2203-006620	C1029	GRM033R71C151KD01D
2203-006647	C209	GRM033R60J473KE19D
2203-006648	C1036	GRM033R60J223KE01D
2203-006648	C1037	GRM033R60J223KE01D
2203-006668	C1112	GRM033R61A222K
2203-006668	C1322	GRM033R61A222K
2203-006707	C530	GRM0335C1E4R7C

Main Electrical Parts List

2203-006707	C616	GRM0335C1E4R7C
2203-006824	C1122	CV105X5R475K10AT
2203-006824	C1135	CV105X5R475K10AT
2203-006839	C1000	CL03A104KP3NNNC
2203-006839	C1001	CL03A104KP3NNNC
2203-006839	C1004	CL03A104KP3NNNC
2203-006839	C1005	CL03A104KP3NNNC
2203-006839	C1009	CL03A104KP3NNNC
2203-006839	C1011	CL03A104KP3NNNC
2203-006839	C1018	CL03A104KP3NNNC
2203-006839	C1023	CL03A104KP3NNNC
2203-006839	C1103	CL03A104KP3NNNC
2203-006839	C1108	CL03A104KP3NNNC
2203-006839	C1113	CL03A104KP3NNNC
2203-006839	C1232	CL03A104KP3NNNC
2203-006839	C1240	CL03A104KP3NNNC
2203-006839	C127	CL03A104KP3NNNC
2203-006839	C1323	CL03A104KP3NNNC
2203-006839	C161	CL03A104KP3NNNC
2203-006839	C162	CL03A104KP3NNNC
2203-006839	C165	CL03A104KP3NNNC
2203-006839	C601	CL03A104KP3NNNC
2203-006839	C927	CL03A104KP3NNNC
2203-006839	C956	CL03A104KP3NNNC
2203-006839	C959	CL03A104KP3NNNC
2203-006846	C304	ECJZEC1E2R0B
2203-006872	C1302	GRM155R60J225ME15D
2203-006872	C1305	GRM155R60J225ME15D
2203-006872	C1311	GRM155R60J225ME15D
2203-006872	C1314	GRM155R60J225ME15D
2203-006872	C1317	GRM155R60J225ME15D
2203-006872	C1400	GRM155R60J225ME15D
2203-006872	C1401	GRM155R60J225ME15D
2203-006872	C702	GRM155R60J225ME15D
2203-006872	C928	GRM155R60J225ME15D
2203-006872	C929	GRM155R60J225ME15D
2203-006872	C933	GRM155R60J225ME15D

2203-006872	C937	GRM155R60J225ME15D
2203-006872	C939	GRM155R60J225ME15D
2203-006872	C953	GRM155R60J225ME15D
2203-006896	C126	GRM033R71E121KA01D
2203-006896	C160	GRM033R71E121KA01D
2203-006896	C221	GRM033R71E121KA01D
2203-006968	C431	CL03C010BA3GNNC
2203-006968	C434	CL03C010BA3GNNC
2203-006968	L302	CL03C010BA3GNNC
2203-006968	L307	CL03C010BA3GNNC
2203-006978	C1130	GMK107BJ105KA-T
2203-006979	C1031	CL03B103KP3NNNC
2203-006979	C1033	CL03B103KP3NNNC
2203-006979	C1034	CL03B103KP3NNNC
2203-006979	C713	CL03B103KP3NNNC
2203-006979	C714	CL03B103KP3NNNC
2203-007133	C1225	CL21A106KOCLRNC
2203-007133	C1347	CL21A106KOCLRNC
2203-007194	C303	CL03C6R8BA3GNNC
2203-007194	C408	CL03C6R8BA3GNNC
2203-007194	U1403	CL03C6R8BA3GNNC
2203-007210	C703	CV03X5R224K06AH
2203-007210	C705	CV03X5R224K06AH
2203-007230	C915	CL21A476MQYNNNE
2203-007230	C917	CL21A476MQYNNNE
2203-007240	C900	CL10A226MQ8NRNE
2203-007240	C901	CL10A226MQ8NRNE
2203-007240	C902	CL10A226MQ8NRNE
2203-007240	C918	CL10A226MQ8NRNE
2203-007240	C919	CL10A226MQ8NRNE
2203-007240	C961	CL10A226MQ8NRNE
2203-007269	TA1100	CL21A226MPCLRNC
2203-007269	TA1101	CL21A226MPCLRNC
2203-007270	C1227	CL10A106KP8NNNC
2203-007270	C1228	CL10A106KP8NNNC
2203-007270	C1230	CL10A106KP8NNNC
2203-007270	C1233	CL10A106KP8NNNC

Main Electrical Parts List

2203-007270	C911	CL10A106KP8NNNC
2203-007270	C912	CL10A106KP8NNNC
2203-007271	C1002	CL05A225KP5NSNC
2203-007271	C1003	CL05A225KP5NSNC
2203-007271	C1012	CL05A225KP5NSNC
2203-007271	C1013	CL05A225KP5NSNC
2203-007271	C1014	CL05A225KP5NSNC
2203-007271	C1015	CL05A225KP5NSNC
2203-007271	C1017	CL05A225KP5NSNC
2203-007271	C1019	CL05A225KP5NSNC
2203-007271	C1119	CL05A225KP5NSNC
2203-007271	C1123	CL05A225KP5NSNC
2203-007271	C1138	CL05A225KP5NSNC
2203-007271	C1402	CL05A225KP5NSNC
2203-007271	C711	CL05A225KP5NSNC
2203-007271	C907	CL05A225KP5NSNC
2203-007271	C908	CL05A225KP5NSNC
2203-007271	C909	CL05A225KP5NSNC
2203-007271	C910	CL05A225KP5NSNC
2203-007271	C913	CL05A225KP5NSNC
2203-007271	C914	CL05A225KP5NSNC
2203-007317	C1120	CV05X5R475M06AH
2203-007317	C916	CV05X5R475M06AH
2203-007342	C1331	CV05X5R225M10AH
2203-007393	C1131	CL05A475KP5NRNC
2203-007393	C1214	CL05A475KP5NRNC
2203-007393	C202	CL05A475KP5NRNC
2203-007393	C205	CL05A475KP5NRNC
2203-007393	C214	CL05A475KP5NRNC
2203-007393	C215	CL05A475KP5NRNC
2203-007393	C218	CL05A475KP5NRNC
2203-007393	C220	CL05A475KP5NRNC
2203-007393	C225	CL05A475KP5NRNC
2203-007393	C301	CL05A475KP5NRNC
2203-007393	C302	CL05A475KP5NRNC
2203-007393	C402	CL05A475KP5NRNC
2203-007393	C403	CL05A475KP5NRNC

2203-007393	C503	CL05A475KP5NRNC
2203-007393	C504	CL05A475KP5NRNC
2203-007393	C507	CL05A475KP5NRNC
2203-007393	C508	CL05A475KP5NRNC
2203-007393	C509	CL05A475KP5NRNC
2203-007393	C511	CL05A475KP5NRNC
2203-007393	C516	CL05A475KP5NRNC
2203-007393	C935	CL05A475KP5NRNC
2203-007393	C947	CL05A475KP5NRNC
2203-007393	C948	CL05A475KP5NRNC
2203-007393	C949	CL05A475KP5NRNC
2203-007393	C950	CL05A475KP5NRNC
2203-007393	C951	CL05A475KP5NRNC
2203-007425	C1124	CL10A225KA5LNNC
2203-007449	C1020	CL03A105MQ3CSNH
2203-007449	C1022	CL03A105MQ3CSNH
2203-007449	C1026	CL03A105MQ3CSNH
2203-007449	C1030	CL03A105MQ3CSNH
2203-007449	C1032	CL03A105MQ3CSNH
2203-007449	C1035	CL03A105MQ3CSNH
2203-007449	C109	CL03A105MQ3CSNH
2203-007449	C120	CL03A105MQ3CSNH
2203-007449	C1318	CL03A105MQ3CSNH
2203-007449	C1319	CL03A105MQ3CSNH
2203-007449	C1320	CL03A105MQ3CSNH
2203-007449	C1321	CL03A105MQ3CSNH
2203-007449	C1325	CL03A105MQ3CSNH
2203-007449	C1326	CL03A105MQ3CSNH
2203-007449	C1327	CL03A105MQ3CSNH
2203-007449	C1328	CL03A105MQ3CSNH
2203-007449	C1329	CL03A105MQ3CSNH
2203-007449	C1330	CL03A105MQ3CSNH
2203-007449	C1332	CL03A105MQ3CSNH
2203-007449	C1333	CL03A105MQ3CSNH
2203-007449	C1342	CL03A105MQ3CSNH
2203-007449	C1343	CL03A105MQ3CSNH
2203-007449	C1344	CL03A105MQ3CSNH

Main Electrical Parts List

2203-007449	C1411	CL03A105MQ3CSNH
2203-007449	C1415	CL03A105MQ3CSNH
2203-007449	C203	CL03A105MQ3CSNH
2203-007449	C206	CL03A105MQ3CSNH
2203-007449	C207	CL03A105MQ3CSNH
2203-007449	C211	CL03A105MQ3CSNH
2203-007449	C212	CL03A105MQ3CSNH
2203-007449	C223	CL03A105MQ3CSNH
2203-007449	C226	CL03A105MQ3CSNH
2203-007449	C228	CL03A105MQ3CSNH
2203-007449	C400	CL03A105MQ3CSNH
2203-007449	C401	CL03A105MQ3CSNH
2203-007449	C515	CL03A105MQ3CSNH
2203-007449	C610	CL03A105MQ3CSNH
2203-007449	C6112	CL03A105MQ3CSNH
2203-007474	C1213	CL05A106MQ5NUNC
2203-007474	C630	CL05A106MQ5NUNC
2203-007775	C600,	CV05X5R475M10AH
2203-007775	C604	CV05X5R475M10AH
2203-007775	C704	CV05X5R475M10AH
2203-007781	C1136	CL10A226MP8NUNE
2203-007781	C903	CL10A226MP8NUNE
2203-007781	C904	CL10A226MP8NUNE
2203-007781	C905	CL10A226MP8NUNE
2203-007781	C906	CL10A226MP8NUNE
2203-007795	C1129	CL05A106MP5NUNC
2203-007795	C1132	CL05A106MP5NUNC
2203-007795	C1334	CL05A106MP5NUNC
2203-007795	C1345	CL05A106MP5NUNC
2203-007795	C1349	CL05A106MP5NUNC
2203-007795	C141	CL05A106MP5NUNC
2203-007795	C142	CL05A106MP5NUNC
2203-007795	C143	CL05A106MP5NUNC
2203-007795	C204	CL05A106MP5NUNC
2203-007795	C213	CL05A106MP5NUNC
2203-007795	C216	CL05A106MP5NUNC
2203-007795	C219	CL05A106MP5NUNC

2203-007795	C224	CL05A106MP5NUNC
2203-007795	C320	CL05A106MP5NUNC
2203-007795	C323	CL05A106MP5NUNC
2203-007795	U1402	CL05A106MP5NUNC
2203-007796	C1016	CL03A105MP3NSNC
2203-007796	C1024	CL03A105MP3NSNC
2203-007796	C1025	CL03A105MP3NSNC
2203-007796	C1040	CL03A105MP3NSNC
2203-007796	C1041	CL03A105MP3NSNC
2203-007796	C1044	CL03A105MP3NSNC
2203-007796	C1047	CL03A105MP3NSNC
2203-007796	C1048	CL03A105MP3NSNC
2203-007796	C1049	CL03A105MP3NSNC
2203-007796	C1106	CL03A105MP3NSNC
2203-007796	C1107	CL03A105MP3NSNC
2203-007796	C1109	CL03A105MP3NSNC
2203-007796	C1110	CL03A105MP3NSNC
2203-007796	C1116	CL03A105MP3NSNC
2203-007796	C1117	CL03A105MP3NSNC
2203-007796	C1118	CL03A105MP3NSNC
2203-007796	C1126	CL03A105MP3NSNC
2203-007796	C1206	CL03A105MP3NSNC
2203-007796	C1207	CL03A105MP3NSNC
2203-007796	C1226	CL03A105MP3NSNC
2203-007796	C1231	CL03A105MP3NSNC
2203-007796	C1237	CL03A105MP3NSNC
2203-007796	C1238	CL03A105MP3NSNC
2203-007796	C1312	CL03A105MP3NSNC
2203-007796	C1315	CL03A105MP3NSNC
2203-007796	C1324	CL03A105MP3NSNC
2203-007796	C1406	CL03A105MP3NSNC
2203-007796	C1408	CL03A105MP3NSNC
2203-007796	C1410	CL03A105MP3NSNC
2203-007796	C1416	CL03A105MP3NSNC
2203-007796	C501	CL03A105MP3NSNC
2203-007796	C502	CL03A105MP3NSNC
2203-007796	C505	CL03A105MP3NSNC

Main Electrical Parts List

2203-007796	C513	CL03A105MP3NSNC
2203-007796	C606	CL03A105MP3NSNC
2203-007796	C607	CL03A105MP3NSNC
2203-007796	C800	CL03A105MP3NSNC
2203-007796	C801	CL03A105MP3NSNC
2203-007796	C802	CL03A105MP3NSNC
2203-007796	C803	CL03A105MP3NSNC
2203-007796	C804	CL03A105MP3NSNC
2203-007796	C805	CL03A105MP3NSNC
2203-007796	C806	CL03A105MP3NSNC
2203-007796	C807	CL03A105MP3NSNC
2203-007796	C808	CL03A105MP3NSNC
2203-007796	C809	CL03A105MP3NSNC
2203-007796	C810	CL03A105MP3NSNC
2203-007796	C811	CL03A105MP3NSNC
2203-007796	C812	CL03A105MP3NSNC
2203-007796	C814	CL03A105MP3NSNC
2203-007796	C815	CL03A105MP3NSNC
2203-007796	C816	CL03A105MP3NSNC
2203-007796	C817	CL03A105MP3NSNC
2203-007796	C818	CL03A105MP3NSNC
2203-007796	C819	CL03A105MP3NSNC
2203-007796	C820	CL03A105MP3NSNC
2203-007796	C821	CL03A105MP3NSNC
2203-007796	C822	CL03A105MP3NSNC
2203-007796	C825	CL03A105MP3NSNC
2203-007796	C826	CL03A105MP3NSNC
2203-007796	C827	CL03A105MP3NSNC
2203-007796	C828	CL03A105MP3NSNC
2203-007796	C830	CL03A105MP3NSNC
2203-007796	C831	CL03A105MP3NSNC
2203-007796	C832	CL03A105MP3NSNC
2203-007796	C833	CL03A105MP3NSNC
2203-007796	C834	CL03A105MP3NSNC
2203-007796	C835	CL03A105MP3NSNC
2203-007796	C838	CL03A105MP3NSNC
2203-007796	C839	CL03A105MP3NSNC

2203-007796	C840	CL03A105MP3NSNC
2203-007796	C841	CL03A105MP3NSNC
2203-007796	C842	CL03A105MP3NSNC
2203-007796	C843	CL03A105MP3NSNC
2203-007796	C844	CL03A105MP3NSNC
2203-007796	C845	CL03A105MP3NSNC
2203-007796	C846	CL03A105MP3NSNC
2203-007796	C849	CL03A105MP3NSNC
2203-007796	C850	CL03A105MP3NSNC
2203-007796	C851	CL03A105MP3NSNC
2203-007796	C852	CL03A105MP3NSNC
2203-007796	C853	CL03A105MP3NSNC
2203-007796	C854	CL03A105MP3NSNC
2203-007796	C855	CL03A105MP3NSNC
2203-007796	C856	CL03A105MP3NSNC
2203-007796	C857	CL03A105MP3NSNC
2203-007796	C858	CL03A105MP3NSNC
2203-007796	C859	CL03A105MP3NSNC
2203-007796	C860	CL03A105MP3NSNC
2203-007796	C861	CL03A105MP3NSNC
2203-007796	C862	CL03A105MP3NSNC
2203-007796	C863	CL03A105MP3NSNC
2203-007796	C864	CL03A105MP3NSNC
2203-007796	C865	CL03A105MP3NSNC
2203-007796	C866	CL03A105MP3NSNC
2203-007796	C867	CL03A105MP3NSNC
2203-007796	C868	CL03A105MP3NSNC
2203-007796	C869	CL03A105MP3NSNC
2203-007796	C870	CL03A105MP3NSNC
2203-007796	C871	CL03A105MP3NSNC
2203-007796	C872	CL03A105MP3NSNC
2203-007796	C873	CL03A105MP3NSNC
2203-007796	C874	CL03A105MP3NSNC
2203-007796	C875	CL03A105MP3NSNC
2203-007796	C876	CL03A105MP3NSNC
2203-007796	C877	CL03A105MP3NSNC
2203-007796	C878	CL03A105MP3NSNC

Main Electrical Parts List

2203-007796	C879	CL03A105MP3NSNC
2203-007796	C880	CL03A105MP3NSNC
2203-007796	C881	CL03A105MP3NSNC
2203-007796	C882	CL03A105MP3NSNC
2203-007796	C883	CL03A105MP3NSNC
2203-007796	C884	CL03A105MP3NSNC
2203-007796	C885	CL03A105MP3NSNC
2203-007796	C886	CL03A105MP3NSNC
2203-007796	C887	CL03A105MP3NSNC
2203-007796	C888	CL03A105MP3NSNC
2203-007796	C889	CL03A105MP3NSNC
2203-007796	C890	CL03A105MP3NSNC
2203-007796	C891	CL03A105MP3NSNC
2203-007796	C892	CL03A105MP3NSNC
2203-007796	C893	CL03A105MP3NSNC
2203-007796	C894	CL03A105MP3NSNC
2203-007796	C895	CL03A105MP3NSNC
2203-007796	C896	CL03A105MP3NSNC
2203-007796	C897	CL03A105MP3NSNC
2203-007796	C930	CL03A105MP3NSNC
2203-007796	C931	CL03A105MP3NSNC
2203-007796	C932	CL03A105MP3NSNC
2203-007796	C934	CL03A105MP3NSNC
2203-007796	C936	CL03A105MP3NSNC
2203-007796	C938	CL03A105MP3NSNC
2203-007796	C940	CL03A105MP3NSNC
2203-007796	C942	CL03A105MP3NSNC
2203-007796	C943	CL03A105MP3NSNC
2203-007796	C944	CL03A105MP3NSNC
2203-007796	C945	CL03A105MP3NSNC
2203-007796	C946	CL03A105MP3NSNC
2203-007796	C952	CL03A105MP3NSNC
2203-007796	C954	CL03A105MP3NSNC
2203-007796	C955	CL03A105MP3NSNC
2203-008095	C1301	CL03A224KP3NNNC
2203-008095	C1307	CL03A224KP3NNNC
2203-008095	C1310	CL03A224KP3NNNC

2203-008095	C1316	CL03A224KP3NNNC
2203-008095	C210	CL03A224KP3NNNC
2203-008095	C217	CL03A224KP3NNNC
2203-008095	C512	CL03A224KP3NNNC
2203-008095	C517	CL03A224KP3NNNC
2203-008097	C104	CL03A104KA3NNNC
2203-008097	C1300	CL03A104KA3NNNC
2203-008097	C1304	CL03A104KA3NNNC
2203-008097	C1306	CL03A104KA3NNNC
2203-008097	C1308	CL03A104KA3NNNC
2203-008097	C1309	CL03A104KA3NNNC
2203-008097	C1313	CL03A104KA3NNNC
2203-008097	C1335	CL03A104KA3NNNC
2203-008097	C1336	CL03A104KA3NNNC
2203-008097	C1337	CL03A104KA3NNNC
2203-008097	C1346	CL03A104KA3NNNC
2203-008097	C200	CL03A104KA3NNNC
2203-008097	C201	CL03A104KA3NNNC
2203-008097	C208	CL03A104KA3NNNC
2203-008097	C510	CL03A104KA3NNNC
2203-008097	C709	CL03A104KA3NNNC
2203-008097	C712	CL03A104KA3NNNC
2409-001238	BAT900	XH311HUII45E
2703-001231	L1100	LK1608-100K-T
2703-001613	L211	HK1005-18NK-T
2703-001749	C406	LL1005-FH1N0S
2703-001749	C532	LL1005-FH1N0S
2703-001750	C159	LL1005-FH2N2S
2703-001750	C413	LL1005-FH2N2S
2703-001786	C411	LL1005-FH10NJ
2703-002208	C101	CIH05T2N2SNC
2703-002309	L1101	CIH05T82NJNC
2703-002309	L1102	CIH05T82NJNC
2703-002309	L512	CIH05T82NJNC
2703-002649	C322	LLV0603-F6N8J
2703-002842	C133	LLV0603-F2N2S
2703-002842	C137	LLV0603-F2N2S

Main Electrical Parts List

2703-002842	L511	LLV0603-F2N2S
2703-002858	C156	HK0603-4N7S-T
2703-002858	C325	HK0603-4N7S-T
2703-002858	L118	HK0603-4N7S-T
2703-002858	L201	HK0603-4N7S-T
2703-002858	L202	HK0603-4N7S-T
2703-002858	L203	HK0603-4N7S-T
2703-002858	L205	HK0603-4N7S-T
2703-002858	L206	HK0603-4N7S-T
2703-002858	L207	HK0603-4N7S-T
2703-002858	L212	HK0603-4N7S-T
2703-002858	L214	HK0603-4N7S-T
2703-002858	L300	HK0603-4N7S-T
2703-002858	L313	HK0603-4N7S-T
2703-002858	L315	HK0603-4N7S-T
2703-002858	L318	HK0603-4N7S-T
2703-002858	L501	HK0603-4N7S-T
2703-002858	L503	HK0603-4N7S-T
2703-002858	L505	HK0603-4N7S-T
2703-002858	L506	HK0603-4N7S-T
2703-002903	C118	LLV0603-F10NJ
2703-002903	C119	LLV0603-F10NJ
2703-002903	L1007	LLV0603-F10NJ
2703-002903	L1008	LLV0603-F10NJ
2703-002903	L208	LLV0603-F10NJ
2703-002903	L209	LLV0603-F10NJ
2703-002903	L314	LLV0603-F10NJ
2703-002903	L502	LLV0603-F10NJ
2703-002907	C136	LLV0603-F8N2J
2703-002907	L310	LLV0603-F8N2J
2703-002907	L312	LLV0603-F8N2J
2703-002907	L316	LLV0603-F8N2J
2703-002907	L319	LLV0603-F8N2J
2703-002907	L513	LLV0603-F8N2J
2703-002951	L213	CIH03T12NJNC
2703-002951	L407	CIH03T12NJNC
2703-002951	L411	CIH03T12NJNC

2703-002951	L507	CIH03T12NJNC
2703-002953	L210	CIH03T18NJNC
2703-002953	L309	CIH03T18NJNC
2703-002953	L418	CIH03T18NJNC
2703-002955	L419	MLG0603S33NJT
2703-002959	L204	MLG0603S68NJT
2703-002960	L101	MLG0603S82NJT
2703-002960	U1411	MLG0603S82NJT
2703-002999	L102	CIH03T22NJNC
2703-003001	L700	CBMF1608T2R2M
2703-003004	L420	LLV0603-F47NJ
2703-003064	L104	LQG15HSR22J02D
2703-003064	L400	LQG15HSR22J02D
2703-003273	L600	LQM21PN2R2MC0D
2703-003502	L1302	CIG21W1R0MNE
2703-003685	L1201	CIG21L4R7MNE
2703-003897	L1202	1239AS-H-4R7N
2703-003897	L1205	1239AS-H-4R7N
2703-003904	L116	CML03061N0BNH
2703-003915	L301	CML0306-5N6-JNH
2703-003915	L306	CML0306-5N6-JNH
2703-003915	L414	CML0306-5N6-JNH
2703-003916	L416	CML0306-3N9-BNH
2703-003916	L509	CML0306-3N9-BNH
2703-003917	C305	CML0306-3N3-BNH
2703-004011	L903	LQM2HPNR47MG0L
2703-004012	C521	LQP03TN2N2B02D
2703-004012	C524	LQP03TN2N2B02D
2703-004018	C429	LQP03TN5N6J02D
2703-004018	C432	LQP03TN5N6J02D
2703-004030	L317	LQP03TN22NJ02D
2703-004032	C307	LQP03TN3N9B02D
2703-004032	L305	LQP03TN3N9B02D
2703-004032	L401	LQP03TN3N9B02D
2703-004032	L406	LQP03TN3N9B02D
2703-004034	C145	LQP03TN1N0B02D
2703-004035	C112	LQP03TN3N3B02D

Main Electrical Parts List

2703-004035	C117	LQP03TN3N3B02D
2703-004035	L103	LQP03TN3N3B02D
2703-004035	L109	LQP03TN3N3B02D
2703-004036	L412	LQP03TN12NJ02D
2703-004038	C132	LQP03TN1N5B02D
2703-004038	C321	LQP03TN1N5B02D
2703-004231	L902	DOP252012NH-2R2M
2703-004231	L904	DOP252012NH-2R2M
2703-004231	L908	DOP252012NH-2R2M
2703-004297	L1103	CIG22E1R0MNE
2703-004297	L1303	CIG22E1R0MNE
2703-004297	L901	CIG22E1R0MNE
2703-004297	L905	CIG22E1R0MNE
2703-004297	L906	CIG22E1R0MNE
2703-004297	L907	CIG22E1R0MNE
2703-004344	L602	CIL10NR33JNC
2703-004344	L603	CIL10NR33JNC
2801-004551	OSC901	CM315-32768-DZFT-K1S
2801-005107	OSC600	SQBD03740M2HBG
2801-005149	OSC700	SQ2D02700D2JCG
2801-005165	OSC900	CT2520DB19200C0FLHAF
2802-001287	OSC601	XRCGB27M120F3M10R0
2901-001625	F1302	ICMEF112P900MFR
2901-001634	F1400	ICMEF112P500MFR
2901-001647	F1300	ICMEF214P101MFR
2901-001647	F1301	ICMEF214P101MFR
2901-001678	F1201	EMI4183
2901-001679	F1200	EMI4182
2904-001668	F101	SAFEB836MAL0F00R14
2904-001668	F400	SAFEB836MAL0F00R14
2904-001739	F300	FAR-F6KA-1G8800-L4AFHZ
2904-001739	F401	FAR-F6KA-1G8800-L4AFHZ
2904-001789	L108	FAR-F6KA-1G9500-D4DGHZ
2904-001988	F501	SAFEA1G58KA0F00
2904-001990	F500	SAFEA1G58FB0F00
2904-001993	F303	SAFEA751MFM0F00
2904-002073	F301	857031

2904-002076	F302	F5KA782M0D4VPH
2910-000164	DUF300	ACMD-4502-SG2
2910-000177	DUF302	856879
2911-000181	F100	LMSWBFGGE-B29
2911-000187	DUF400	ACFM-7110-SG2
3003-001136	MIC1000	SPU0410HR5H
3003-001136	MIC1001	SPU0410HR5H
3301-001659	L508	BLM15AG601SN1
3301-001729	L1300	BLM15AG102SN1D
3301-001729	L1301	BLM15AG102SN1D
3301-001729	L1400	BLM15AG102SN1D
3301-001756	L1000	BLM15HG102SN1D
3301-001756	L1001	BLM15HG102SN1D
3301-001756	L1002	BLM15HG102SN1D
3301-001756	L1003	BLM15HG102SN1D
3301-001789	L1203	BLM15EG121SN1D
3301-001789	L1204	BLM15EG121SN1D
3301-001851	L1104	BLM18PG330SN1
3301-001851	L1105	BLM18PG330SN1
3301-001851	L421	BLM18PG330SN1
3301-001885	L1006	BLM15HD182SN1D
3301-001919	L100	BLM15BB121SN1D
3301-001970	L504	BLM15BA330SN1
3301-001986	L200	BLM15PD600SN1
3301-001986	L500	BLM15PD600SN1
3301-002037	L1106	BLM18KG601SN1
3301-002066	L1304	MMZ1005S102ET
3404-001303	TAC1000	LS12K2-T
3705-001448	ANT300	20369-001E
3705-001708	RFS500	MS-156C
3705-001731	RFS100	KMS-560-002-BEF
3705-001731	RFS300	KMS-560-002-BEF
3705-001731	RFS400	KMS-560-002-BEF
3711-006843	HDC1200	14-5802-044-002-829
3711-006923	HDC1400	14-5802-016-002-829
3711-007071	HEA1300	AXE622124AW1
3711-007173	CN1400	AXE612124

Main Electrical Parts List

3711-007295	HDC1300	AXE634124AW1
3711-007841	BTC1100	202-03060-00440
3711-008151	HDC1000	14-5804-016-000-829+
3711-008157	HDC1001	14-5804-010-000-829+
3712-001373	ANT1100	HJ-BCT-02Y
3712-001373	ANT1101	HJ-BCT-02Y
3712-001373	CLP1102	HJ-BCT-02Y
3712-001375	ANT100	HJ-ICT-06Y
3712-001375	ANT101	HJ-ICT-06Y
3712-001375	ANT102	HJ-ICT-06Y
3712-001375	ANT400	HJ-ICT-06Y
3712-001375	ANT401	HJ-ICT-06Y
3712-001375	ANT402	HJ-ICT-06Y
3712-001375	ANT500	HJ-ICT-06Y
3712-001375	ANT600	HJ-ICT-06Y
3712-001378	CON1100	HJ-ICT-03Y
3712-001378	CON1101	HJ-ICT-03Y
3712-001412	CLP1000	HJ-ICT-07Y
3712-001412	CLP1001	HJ-ICT-07Y
3722-003512	IFC1100	2108171-3
4709-002109	U600	SWB-B53
GH61-01004A	SC1414	SUS-D2-VZW-TOP
GH61-01223A	SC1415	SUS-D2-VZW-BOT
GH70-07467A	SC1400	PTC3121N
GH70-07467A	SC1401	PTC3121N
GH70-07467A	SC1402	PTC3121N
GH70-07467A	SC1403	PTC3121N
GH70-07467A	SC1404	PTC3121N
GH70-07467A	SC1405	PTC3121N
GH70-07467A	SC1407	PTC3121N
GH70-07467A	SC1408	PTC3121N
GH70-07467A	SC1409	PTC3121N
GH70-07467A	SC1410	PTC3121N
GH70-07467A	SC1411	PTC3121N
GH70-07467A	SC1412	PTC3121N
GH98-23607A	SC1413	SHIELDCAN-C1-BOT

SEC CODE	Design LOC	Description
0403-001688	D800	DIODE-ZENER
0403-001688	ZD801	DIODE-ZENER
0403-001832	ZD900	DIODE-ZENER
0404-001172	D801	DIODE-SCHOTTKY
0406-001267	ZD706	DIODE-TVS
0406-001267	ZD707	DIODE-TVS
0406-001267	ZD800	DIODE-TVS
0406-001327	ZD400	DIODE-TVS
0406-001327	ZD701	DIODE-TVS
0406-001369	U812	DIODE-TVS
0406-001375	ZD702	DIODE-TVS
0406-001375	ZD703	DIODE-TVS
0406-001375	ZD704	DIODE-TVS
0406-001375	ZD708	DIODE-TVS
0406-001375	ZD709	DIODE-TVS
0406-001375	ZD710	DIODE-TVS
0406-001526	ZD802	DIODE-TVS
0504-001113	Q1000	TR-DIGITAL
0505-002341	Q400	FET-SILICON
0505-002388	Q300	FET-SILICON
0505-002388	Q301	FET-SILICON
0505-002652	Q804	FET-SILICON
0505-002748	Q805	FET-SILICON
0601-003079	LED1000	LED
0801-003031	U904	IC-CMOS LOGIC
1001-001536	F105	IC-RF SWITCH
1001-001546	U1001	IC-ANALOG SWITCH
1001-001726	U810	IC-ANALOG MULTIPLEX
1001-001736	U101	IC-ANALOG SWITCH
1003-002415	U804	IC-MOTOR DRIVER
1003-002469	U911	IC-LEVEL DRIVER
1105-002305	UCP400UP	IC-DDR2 SDRAM
1107-002139	UME400	IC-FLASH MEMORY
1201-002608	U300	IC-GPS AMP
1201-003199	PA105	IC-POWER AMP
1201-003315	U702	IC-AUDIO AMP

Main Electrical Parts List

1201-003360	PA103	IC-POWER AMP
1201-003392	PA104	IC-POWER AMP
1201-003393	PA102	IC-POWER AMP
1201-003395	PA100	IC-POWER AMP
1201-003410	PA101	IC-POWER AMP
1202-001119	U1010	IC-VOLTAGE COMP.
1202-001120	U813	IC-VOLTAGE COMP.
1202-001120	U906	IC-VOLTAGE COMP.
1202-001121	U706	IC-VOLTAGE COMP.
1203-004818	U707	IC-POSI.FIXED REG.
1203-004819	U1003	IC-POSI.FIXED REG.
1203-004819	U1005	IC-POSI.FIXED REG.
1203-004819	U700	IC-POSI.FIXED REG.
1203-005373	U814	IC-VOL. DETECTOR
1203-005485	U806	IC-POSI.FIXED REG.
1203-006860	U1000	IC-DC/DC CONVERTER
1203-006874	U907	IC-MULTI REG.
1203-007135	U200	IC-DC/DC CONVERTER
1203-007142	U905	IC-DC/DC CONVERTER
1203-007196	U705	IC-POSI.FIXED REG.
1203-007214	U800	IC-POWER SUPERVISOR
1203-007225	PM600	IC-POWER SUPERVISOR
1203-007256	U1007	IC-DC/DC CONVERTER
1203-007269	U908	IC-DC/DC CONVERTER
1203-007324	U1004	IC-POSI.FIXED REG.
1203-007324	U1006	IC-POSI.FIXED REG.
1203-007380	U802	IC-BATTERY
1204-003328	U704	IC-AUDIO PROCESSOR
1204-003364	U1002	IC-VIDEO PROCESS
1205-004165	U201	IC-TRANSCEIVER
1205-004233	U910	IC-TRANSMITTER
1205-004444	U701	IC-CODEC
1205-004474	U1009	IC-SWITCH
1205-004474	U808	IC-SWITCH
1205-004510	U303	IC-COMM. CONTROLLER
1205-004525	UCP400	IC-MODEM
1209-002096	U807	IC-SENSOR

1209-002124	U801	IC-SENSOR
1209-002132	U803	IC-SENSOR
1404-001724	TH100	THERMISTOR-NTC
1404-001724	TH400	THERMISTOR-NTC
1404-001724	TH600	THERMISTOR-NTC
1405-001296	V700	VARISTOR
1405-001296	V710	VARISTOR
2007-000148	R621	R-CHIP
2007-000168	R802	R-CHIP
2007-000172	R860	R-CHIP
2007-001317	R476	R-CHIP
2007-007107	R109	R-CHIP
2007-007136	R209	R-CHIP
2007-007484	R462	R-CHIP
2007-007489	R913	R-CHIP
2007-007489	R930	R-CHIP
2007-007489	R931	R-CHIP
2007-007538	R914	R-CHIP
2007-007592	R731	R-CHIP
2007-007741	R441	R-CHIP
2007-007741	R620	R-CHIP
2007-007741	R622	R-CHIP
2007-007741	R925	R-CHIP
2007-007766	R304	R-CHIP
2007-007798	R1019	R-CHIP
2007-007875	R1003	R-CHIP
2007-007942	R733	R-CHIP
2007-007942	R734	R-CHIP
2007-008045	R1032	R-CHIP
2007-008045	R301	R-CHIP
2007-008045	R809	R-CHIP
2007-008045	R855	R-CHIP
2007-008048	R331	R-CHIP
2007-008048	R440	R-CHIP
2007-008048	R927	R-CHIP
2007-008048	R928	R-CHIP
2007-008052	R442	R-CHIP

Main Electrical Parts List

2007-008052	R443	R-CHIP
2007-008052	R800	R-CHIP
2007-008052	R813	R-CHIP
2007-008052	R900	R-CHIP
2007-008052	R923	R-CHIP
2007-008052	R924	R-CHIP
2007-008052	R933	R-CHIP
2007-008052	R934	R-CHIP
2007-008052	R935	R-CHIP
2007-008055	R1009	R-CHIP
2007-008055	R1010	R-CHIP
2007-008055	R444	R-CHIP
2007-008055	R445	R-CHIP
2007-008055	R446	R-CHIP
2007-008055	R447	R-CHIP
2007-008055	R717	R-CHIP
2007-008055	R720	R-CHIP
2007-008055	R723	R-CHIP
2007-008055	R724	R-CHIP
2007-008055	R819	R-CHIP
2007-008055	R837	R-CHIP
2007-008055	R845	R-CHIP
2007-008055	R846	R-CHIP
2007-008055	R861	R-CHIP
2007-008055	R917	R-CHIP
2007-008210	R101	R-CHIP
2007-008211	R429	R-CHIP
2007-008312	R736	R-CHIP
2007-008403	R807	R-CHIP
2007-008419	R210	R-CHIP
2007-008419	R305	R-CHIP
2007-008419	R306	R-CHIP
2007-008419	R728	R-CHIP
2007-008420	R474	R-CHIP
2007-008420	R732	R-CHIP
2007-008420	R939	R-CHIP
2007-008483	R1020	R-CHIP

2007-008483	R1041	R-CHIP
2007-008483	R340	R-CHIP
2007-008483	R341	R-CHIP
2007-008483	R342	R-CHIP
2007-008483	R343	R-CHIP
2007-008483	R345	R-CHIP
2007-008483	R468	R-CHIP
2007-008483	R469	R-CHIP
2007-008483	R471	R-CHIP
2007-008483	R472	R-CHIP
2007-008483	R473	R-CHIP
2007-008483	R615	R-CHIP
2007-008486	R808	R-CHIP
2007-008516	R1023	R-CHIP
2007-008516	R1029	R-CHIP
2007-008516	R1030	R-CHIP
2007-008516	R1036	R-CHIP
2007-008516	R1038	R-CHIP
2007-008516	R412	R-CHIP
2007-008516	R455	R-CHIP
2007-008516	R456	R-CHIP
2007-008516	R457	R-CHIP
2007-008516	R467	R-CHIP
2007-008516	R470	R-CHIP
2007-008516	R482	R-CHIP
2007-008516	R738	R-CHIP
2007-008516	R815	R-CHIP
2007-008516	R926	R-CHIP
2007-008516	R929	R-CHIP
2007-008516	R932	R-CHIP
2007-008516	R940	R-CHIP
2007-008531	R1028	R-CHIP
2007-008531	R725	R-CHIP
2007-008531	R726	R-CHIP
2007-008531	R735	R-CHIP
2007-008531	R824	R-CHIP
2007-008582	R102	R-CHIP

Main Electrical Parts List

2007-008582	R103	R-CHIP
2007-008588	R1000	R-CHIP
2007-008588	R1001	R-CHIP
2007-008588	R1011	R-CHIP
2007-008588	R1012	R-CHIP
2007-008588	R1014	R-CHIP
2007-008588	R419	R-CHIP
2007-008588	R420	R-CHIP
2007-008588	R421	R-CHIP
2007-008588	R422	R-CHIP
2007-008588	R427	R-CHIP
2007-008588	R428	R-CHIP
2007-008588	R434	R-CHIP
2007-008588	R435	R-CHIP
2007-008588	R436	R-CHIP
2007-008588	R437	R-CHIP
2007-008588	R438	R-CHIP
2007-008588	R439	R-CHIP
2007-008588	R707	R-CHIP
2007-008588	R708	R-CHIP
2007-008774	R633	R-CHIP
2007-008774	R700	R-CHIP
2007-008774	R701	R-CHIP
2007-008774	R820	R-CHIP
2007-008774	R821	R-CHIP
2007-008774	R858	R-CHIP
2007-008786	R918	R-CHIP
2007-008806	R108	R-CHIP
2007-009084	R1045	R-CHIP
2007-009084	R300	R-CHIP
2007-009084	R303	R-CHIP
2007-009084	R307	R-CHIP
2007-009084	R711	R-CHIP
2007-009084	R730	R-CHIP
2007-009084	R836	R-CHIP
2007-009084	R857	R-CHIP
2007-009084	R916	R-CHIP

2007-009084	R919	R-CHIP
2007-009084	R921	R-CHIP
2007-009084	R936	R-CHIP
2007-009108	R810	R-CHIP
2007-009115	R911	R-CHIP
2007-009115	R937	R-CHIP
2007-009157	R1008	R-CHIP
2007-009157	R448	R-CHIP
2007-009157	R605	R-CHIP
2007-009157	R612	R-CHIP
2007-009157	R617	R-CHIP
2007-009157	R618	R-CHIP
2007-009157	R619	R-CHIP
2007-009157	R634	R-CHIP
2007-009171	R737	R-CHIP
2007-009182	R607	R-CHIP
2007-009212	R703	R-CHIP
2007-009314	R1044	R-CHIP
2007-009314	R856	R-CHIP
2007-009315	R207	R-CHIP
2007-009408	R1021	R-CHIP
2007-009408	R1022	R-CHIP
2007-009408	R308	R-CHIP
2007-009807	R611	R-CHIP
2007-009879	R1037	R-CHIP
2007-009879	R1039	R-CHIP
2007-009879	R423	R-CHIP
2007-009879	R424	R-CHIP
2007-009879	U1014	R-CHIP
2007-009920	R414	R-CHIP
2007-009920	R415	R-CHIP
2007-009920	R416	R-CHIP
2007-009920	R417	R-CHIP
2007-009920	R459	R-CHIP
2007-009920	R460	R-CHIP
2007-009920	R461	R-CHIP
2007-009920	R463	R-CHIP

Main Electrical Parts List

2007-009969	R706	R-CHIP
2203-000233	C102	C-CER,CHIP
2203-000233	C122	C-CER,CHIP
2203-000233	C152	C-CER,CHIP
2203-000233	C195	C-CER,CHIP
2203-000233	C916	C-CER,CHIP
2203-000489	C811	C-CER,CHIP
2203-000585	C841	C-CER,CHIP
2203-000585	C842	C-CER,CHIP
2203-000725	C813	C-CER,CHIP
2203-001101	C802	C-CER,CHIP
2203-001239	C803	C-CER,CHIP
2203-005682	C120	C-CER,CHIP
2203-005682	C130	C-CER,CHIP
2203-005682	C144	C-CER,CHIP
2203-005682	C150	C-CER,CHIP
2203-005682	C153	C-CER,CHIP
2203-005682	C190	C-CER,CHIP
2203-005682	C415	C-CER,CHIP
2203-005725	C1059	C-CER,CHIP
2203-005725	C1067	C-CER,CHIP
2203-005725	C1068	C-CER,CHIP
2203-005725	C1070	C-CER,CHIP
2203-005725	C219	C-CER,CHIP
2203-005726	C705	C-CER,CHIP
2203-005727	C304	C-CER,CHIP
2203-005729	C180	C-CER,CHIP
2203-005729	C407	C-CER,CHIP
2203-005729	C408	C-CER,CHIP
2203-005729	C706	C-CER,CHIP
2203-005729	C728	C-CER,CHIP
2203-005729	C729	C-CER,CHIP
2203-005729	C739	C-CER,CHIP
2203-005729	C752	C-CER,CHIP
2203-005731	C736	C-CER,CHIP
2203-005732	C363	C-CER,CHIP
2203-005732	C364	C-CER,CHIP

2203-005734	C357	C-CER,CHIP
2203-005734	C362	C-CER,CHIP
2203-005734	C840	C-CER,CHIP
2203-005736	C117	C-CER,CHIP
2203-005736	C119	C-CER,CHIP
2203-005736	C143	C-CER,CHIP
2203-005736	C147	C-CER,CHIP
2203-005736	C155	C-CER,CHIP
2203-005736	C156	C-CER,CHIP
2203-005736	C183	C-CER,CHIP
2203-005736	C218	C-CER,CHIP
2203-005736	C316	C-CER,CHIP
2203-005736	C325	C-CER,CHIP
2203-005736	C340	C-CER,CHIP
2203-005736	C367	C-CER,CHIP
2203-005736	C370	C-CER,CHIP
2203-005736	C675	C-CER,CHIP
2203-005736	C743	C-CER,CHIP
2203-005789	C151	C-CER,CHIP
2203-005789	C163	C-CER,CHIP
2203-005792	C126	C-CER,CHIP
2203-005806	C1013	C-CER,CHIP
2203-005806	C189	C-CER,CHIP
2203-005806	C356	C-CER,CHIP
2203-005806	C413	C-CER,CHIP
2203-005806	C627	C-CER,CHIP
2203-005806	C677	C-CER,CHIP
2203-006047	C831	C-CER,CHIP
2203-006048	C926	C-CER,CHIP
2203-006121	C324	C-CER,CHIP
2203-006123	C128	C-CER,CHIP
2203-006141	C524	C-CER,CHIP
2203-006187	C110	C-CER,CHIP
2203-006187	C112	C-CER,CHIP
2203-006187	C113	C-CER,CHIP
2203-006187	C199	C-CER,CHIP
2203-006194	C204	C-CER,CHIP

Main Electrical Parts List

2203-006194	C800	C-CER,CHIP
2203-006194	C801	C-CER,CHIP
2203-006305	C121	C-CER,CHIP
2203-006305	C127	C-CER,CHIP
2203-006305	C302	C-CER,CHIP
2203-006305	C346	C-CER,CHIP
2203-006305	C347	C-CER,CHIP
2203-006318	C148	C-CER,CHIP
2203-006379	C207	C-CER,CHIP
2203-006399	C656	C-CER,CHIP
2203-006423	C1008	C-CER,CHIP
2203-006423	C202	C-CER,CHIP
2203-006423	C215	C-CER,CHIP
2203-006423	C220	C-CER,CHIP
2203-006423	C224	C-CER,CHIP
2203-006423	C342	C-CER,CHIP
2203-006423	C343	C-CER,CHIP
2203-006423	C345	C-CER,CHIP
2203-006423	C365	C-CER,CHIP
2203-006423	C400	C-CER,CHIP
2203-006423	C405	C-CER,CHIP
2203-006423	C674	C-CER,CHIP
2203-006423	C754	C-CER,CHIP
2203-006423	C817	C-CER,CHIP
2203-006423	C837	C-CER,CHIP
2203-006423	C917	C-CER,CHIP
2203-006423	C918	C-CER,CHIP
2203-006423	C927	C-CER,CHIP
2203-006423	C928	C-CER,CHIP
2203-006423	C929	C-CER,CHIP
2203-006423	C930	C-CER,CHIP
2203-006423	C941	C-CER,CHIP
2203-006423	C942	C-CER,CHIP
2203-006423	C943	C-CER,CHIP
2203-006423	C946	C-CER,CHIP
2203-006423	C949	C-CER,CHIP
2203-006462	C328	C-CER,CHIP

2203-006611	C136	C-CER,CHIP
2203-006620	C179	C-CER,CHIP
2203-006620	C256	C-CER,CHIP
2203-006620	C738	C-CER,CHIP
2203-006648	C724	C-CER,CHIP
2203-006648	C725	C-CER,CHIP
2203-006668	C1001	C-CER,CHIP
2203-006674	C169	C-CER,CHIP
2203-006693	C358	C-CER,CHIP
2203-006693	C360	C-CER,CHIP
2203-006707	C145	C-CER,CHIP
2203-006839	C1002	C-CER,CHIP
2203-006839	C140	C-CER,CHIP
2203-006839	C314	C-CER,CHIP
2203-006839	C417	C-CER,CHIP
2203-006839	C625	C-CER,CHIP
2203-006839	C642	C-CER,CHIP
2203-006839	C673	C-CER,CHIP
2203-006839	C676	C-CER,CHIP
2203-006839	C700	C-CER,CHIP
2203-006839	C701	C-CER,CHIP
2203-006839	C704	C-CER,CHIP
2203-006839	C707	C-CER,CHIP
2203-006839	C719	C-CER,CHIP
2203-006839	C721	C-CER,CHIP
2203-006839	C744	C-CER,CHIP
2203-006839	C804	C-CER,CHIP
2203-006839	C807	C-CER,CHIP
2203-006839	C812	C-CER,CHIP
2203-006844	C335	C-CER,CHIP
2203-006846	C108	C-CER,CHIP
2203-006872	C1000	C-CER,CHIP
2203-006872	C1012	C-CER,CHIP
2203-006872	C1015	C-CER,CHIP
2203-006872	C1021	C-CER,CHIP
2203-006872	C1024	C-CER,CHIP
2203-006872	C206	C-CER,CHIP

Main Electrical Parts List

2203-006872	C401	C-CER,CHIP
2203-006872	C643	C-CER,CHIP
2203-006872	C644	C-CER,CHIP
2203-006872	C648	C-CER,CHIP
2203-006872	C652	C-CER,CHIP
2203-006872	C654	C-CER,CHIP
2203-006872	C670	C-CER,CHIP
2203-006872	C923	C-CER,CHIP
2203-006872	C924	C-CER,CHIP
2203-006872	C931	C-CER,CHIP
2203-006896	C104	C-CER,CHIP
2203-006896	C139	C-CER,CHIP
2203-006896	C166	C-CER,CHIP
2203-006896	C167	C-CER,CHIP
2203-006978	C824	C-CER,CHIP
2203-006979	C414	C-CER,CHIP
2203-006979	C731	C-CER,CHIP
2203-006979	C733	C-CER,CHIP
2203-006979	C734	C-CER,CHIP
2203-007133	C935	C-CER,CHIP
2203-007133	C939	C-CER,CHIP
2203-007133	C944	C-CER,CHIP
2203-007194	C159	C-CER,CHIP
2203-007194	C168	C-CER,CHIP
2203-007210	C402	C-CER,CHIP
2203-007210	C404	C-CER,CHIP
2203-007230	C601	C-CER,CHIP
2203-007230	C616	C-CER,CHIP
2203-007230	C623	C-CER,CHIP
2203-007240	C600	C-CER,CHIP
2203-007240	C602	C-CER,CHIP
2203-007240	C603	C-CER,CHIP
2203-007240	C624	C-CER,CHIP
2203-007240	C626	C-CER,CHIP
2203-007270	C612	C-CER,CHIP
2203-007270	C613	C-CER,CHIP
2203-007271	C411	C-CER,CHIP

2203-007271	C608	C-CER,CHIP
2203-007271	C609	C-CER,CHIP
2203-007271	C610	C-CER,CHIP
2203-007271	C611	C-CER,CHIP
2203-007271	C614	C-CER,CHIP
2203-007271	C615	C-CER,CHIP
2203-007271	C703	C-CER,CHIP
2203-007271	C713	C-CER,CHIP
2203-007271	C714	C-CER,CHIP
2203-007271	C717	C-CER,CHIP
2203-007271	C741	C-CER,CHIP
2203-007271	C820	C-CER,CHIP
2203-007271	C925	C-CER,CHIP
2203-007317	C622	C-CER,CHIP
2203-007317	C821	C-CER,CHIP
2203-007342	C1031	C-CER,CHIP
2203-007391	C100	C-CER,CHIP
2203-007391	C123	C-CER,CHIP
2203-007391	C141	C-CER,CHIP
2203-007391	C157	C-CER,CHIP
2203-007391	C175	C-CER,CHIP
2203-007393	C208	C-CER,CHIP
2203-007393	C217	C-CER,CHIP
2203-007393	C221	C-CER,CHIP
2203-007393	C223	C-CER,CHIP
2203-007393	C312	C-CER,CHIP
2203-007393	C315	C-CER,CHIP
2203-007393	C650	C-CER,CHIP
2203-007393	C662	C-CER,CHIP
2203-007393	C663	C-CER,CHIP
2203-007393	C664	C-CER,CHIP
2203-007393	C665	C-CER,CHIP
2203-007393	C666	C-CER,CHIP
2203-007393	C825	C-CER,CHIP
2203-007393	C920	C-CER,CHIP
2203-007425	C827	C-CER,CHIP
2203-007425	C828	C-CER,CHIP

Main Electrical Parts List

2203-007425	C829	C-CER,CHIP
2203-007425	C830	C-CER,CHIP
2203-007425	C835	C-CER,CHIP
2203-007425	C836	C-CER,CHIP
2203-007425	C839	C-CER,CHIP
2203-007449	C1027	C-CER,CHIP
2203-007449	C1028	C-CER,CHIP
2203-007449	C1029	C-CER,CHIP
2203-007449	C1030	C-CER,CHIP
2203-007449	C1032	C-CER,CHIP
2203-007449	C1033	C-CER,CHIP
2203-007449	C1034	C-CER,CHIP
2203-007449	C1035	C-CER,CHIP
2203-007449	C1036	C-CER,CHIP
2203-007449	C1037	C-CER,CHIP
2203-007449	C1038	C-CER,CHIP
2203-007449	C1039	C-CER,CHIP
2203-007449	C1040	C-CER,CHIP
2203-007449	C1041	C-CER,CHIP
2203-007449	C211	C-CER,CHIP
2203-007449	C334	C-CER,CHIP
2203-007449	C344	C-CER,CHIP
2203-007449	C353	C-CER,CHIP
2203-007449	C416	C-CER,CHIP
2203-007449	C702	C-CER,CHIP
2203-007449	C709	C-CER,CHIP
2203-007449	C710	C-CER,CHIP
2203-007449	C711	C-CER,CHIP
2203-007449	C730	C-CER,CHIP
2203-007449	C732	C-CER,CHIP
2203-007449	C735	C-CER,CHIP
2203-007449	C740	C-CER,CHIP
2203-007449	C742	C-CER,CHIP
2203-007449	C748	C-CER,CHIP
2203-007449	C932	C-CER,CHIP
2203-007449	C933	C-CER,CHIP
2203-007449	C934	C-CER,CHIP

2203-007456	C632	C-CER,CHIP
2203-007474	C366	C-CER,CHIP
2203-007474	C919	C-CER,CHIP
2203-007775	C403	C-CER,CHIP
2203-007781	C212	C-CER,CHIP
2203-007781	C604	C-CER,CHIP
2203-007781	C605	C-CER,CHIP
2203-007781	C606	C-CER,CHIP
2203-007781	C607	C-CER,CHIP
2203-007795	C1007	C-CER,CHIP
2203-007795	C1053	C-CER,CHIP
2203-007795	C1057	C-CER,CHIP
2203-007795	C1069	C-CER,CHIP
2203-007795	C174	C-CER,CHIP
2203-007795	C200	C-CER,CHIP
2203-007795	C832	C-CER,CHIP
2203-007795	C833	C-CER,CHIP
2203-007795	C834	C-CER,CHIP
2203-007795	C936	C-CER,CHIP
2203-007795	C937	C-CER,CHIP
2203-007795	C938	C-CER,CHIP
2203-007796	C101	C-CER,CHIP
2203-007796	C1022	C-CER,CHIP
2203-007796	C1025	C-CER,CHIP
2203-007796	C124	C-CER,CHIP
2203-007796	C142	C-CER,CHIP
2203-007796	C158	C-CER,CHIP
2203-007796	C176	C-CER,CHIP
2203-007796	C177	C-CER,CHIP
2203-007796	C178	C-CER,CHIP
2203-007796	C209	C-CER,CHIP
2203-007796	C210	C-CER,CHIP
2203-007796	C213	C-CER,CHIP
2203-007796	C214	C-CER,CHIP
2203-007796	C222	C-CER,CHIP
2203-007796	C500	C-CER,CHIP
2203-007796	C501	C-CER,CHIP

Main Electrical Parts List

2203-007796	C502	C-CER,CHIP
2203-007796	C503	C-CER,CHIP
2203-007796	C504	C-CER,CHIP
2203-007796	C505	C-CER,CHIP
2203-007796	C506	C-CER,CHIP
2203-007796	C507	C-CER,CHIP
2203-007796	C508	C-CER,CHIP
2203-007796	C509	C-CER,CHIP
2203-007796	C510	C-CER,CHIP
2203-007796	C511	C-CER,CHIP
2203-007796	C512	C-CER,CHIP
2203-007796	C514	C-CER,CHIP
2203-007796	C515	C-CER,CHIP
2203-007796	C516	C-CER,CHIP
2203-007796	C517	C-CER,CHIP
2203-007796	C518	C-CER,CHIP
2203-007796	C519	C-CER,CHIP
2203-007796	C520	C-CER,CHIP
2203-007796	C521	C-CER,CHIP
2203-007796	C522	C-CER,CHIP
2203-007796	C525	C-CER,CHIP
2203-007796	C526	C-CER,CHIP
2203-007796	C527	C-CER,CHIP
2203-007796	C528	C-CER,CHIP
2203-007796	C530	C-CER,CHIP
2203-007796	C531	C-CER,CHIP
2203-007796	C532	C-CER,CHIP
2203-007796	C533	C-CER,CHIP
2203-007796	C534	C-CER,CHIP
2203-007796	C535	C-CER,CHIP
2203-007796	C538	C-CER,CHIP
2203-007796	C539	C-CER,CHIP
2203-007796	C540	C-CER,CHIP
2203-007796	C541	C-CER,CHIP
2203-007796	C542	C-CER,CHIP
2203-007796	C543	C-CER,CHIP
2203-007796	C544	C-CER,CHIP

2203-007796	C545	C-CER,CHIP
2203-007796	C546	C-CER,CHIP
2203-007796	C549	C-CER,CHIP
2203-007796	C550	C-CER,CHIP
2203-007796	C551	C-CER,CHIP
2203-007796	C552	C-CER,CHIP
2203-007796	C553	C-CER,CHIP
2203-007796	C554	C-CER,CHIP
2203-007796	C555	C-CER,CHIP
2203-007796	C556	C-CER,CHIP
2203-007796	C557	C-CER,CHIP
2203-007796	C558	C-CER,CHIP
2203-007796	C559	C-CER,CHIP
2203-007796	C560	C-CER,CHIP
2203-007796	C561	C-CER,CHIP
2203-007796	C562	C-CER,CHIP
2203-007796	C563	C-CER,CHIP
2203-007796	C564	C-CER,CHIP
2203-007796	C565	C-CER,CHIP
2203-007796	C566	C-CER,CHIP
2203-007796	C567	C-CER,CHIP
2203-007796	C568	C-CER,CHIP
2203-007796	C569	C-CER,CHIP
2203-007796	C570	C-CER,CHIP
2203-007796	C571	C-CER,CHIP
2203-007796	C572	C-CER,CHIP
2203-007796	C573	C-CER,CHIP
2203-007796	C574	C-CER,CHIP
2203-007796	C575	C-CER,CHIP
2203-007796	C576	C-CER,CHIP
2203-007796	C577	C-CER,CHIP
2203-007796	C578	C-CER,CHIP
2203-007796	C579	C-CER,CHIP
2203-007796	C580	C-CER,CHIP
2203-007796	C581	C-CER,CHIP
2203-007796	C582	C-CER,CHIP
2203-007796	C583	C-CER,CHIP

Main Electrical Parts List

2203-007796	C584	C-CER,CHIP
2203-007796	C585	C-CER,CHIP
2203-007796	C586	C-CER,CHIP
2203-007796	C587	C-CER,CHIP
2203-007796	C588	C-CER,CHIP
2203-007796	C589	C-CER,CHIP
2203-007796	C590	C-CER,CHIP
2203-007796	C591	C-CER,CHIP
2203-007796	C592	C-CER,CHIP
2203-007796	C593	C-CER,CHIP
2203-007796	C594	C-CER,CHIP
2203-007796	C595	C-CER,CHIP
2203-007796	C596	C-CER,CHIP
2203-007796	C597	C-CER,CHIP
2203-007796	C645	C-CER,CHIP
2203-007796	C646	C-CER,CHIP
2203-007796	C647	C-CER,CHIP
2203-007796	C649	C-CER,CHIP
2203-007796	C651	C-CER,CHIP
2203-007796	C653	C-CER,CHIP
2203-007796	C655	C-CER,CHIP
2203-007796	C657	C-CER,CHIP
2203-007796	C658	C-CER,CHIP
2203-007796	C659	C-CER,CHIP
2203-007796	C660	C-CER,CHIP
2203-007796	C661	C-CER,CHIP
2203-007796	C667	C-CER,CHIP
2203-007796	C671	C-CER,CHIP
2203-007796	C672	C-CER,CHIP
2203-007796	C708	C-CER,CHIP
2203-007796	C712	C-CER,CHIP
2203-007796	C715	C-CER,CHIP
2203-007796	C722	C-CER,CHIP
2203-007796	C726	C-CER,CHIP
2203-007796	C727	C-CER,CHIP
2203-007796	C805	C-CER,CHIP
2203-007796	C806	C-CER,CHIP

2203-007796	C808	C-CER,CHIP
2203-007796	C809	C-CER,CHIP
2203-007796	C816	C-CER,CHIP
2203-007796	C818	C-CER,CHIP
2203-007796	C826	C-CER,CHIP
2203-007796	C913	C-CER,CHIP
2203-007796	C914	C-CER,CHIP
2203-007796	C940	C-CER,CHIP
2203-007796	C945	C-CER,CHIP
2203-008094	C216	C-CER,CHIP
2203-008095	C1011	C-CER,CHIP
2203-008095	C1017	C-CER,CHIP
2203-008095	C1026	C-CER,CHIP
2203-008095	C1052	C-CER,CHIP
2203-008095	C225	C-CER,CHIP
2203-008097	C1010	C-CER,CHIP
2203-008097	C1014	C-CER,CHIP
2203-008097	C1016	C-CER,CHIP
2203-008097	C1018	C-CER,CHIP
2203-008097	C1019	C-CER,CHIP
2203-008097	C1023	C-CER,CHIP
2203-008097	C1054	C-CER,CHIP
2203-008097	C1055	C-CER,CHIP
2203-008097	C1056	C-CER,CHIP
2203-008097	C1058	C-CER,CHIP
2203-008097	C205	C-CER,CHIP
2203-008097	C410	C-CER,CHIP
2203-008097	C412	C-CER,CHIP
2203-008097	C755	C-CER,CHIP
2203-008243	C749	C-CER,CHIP
2404-001506	TA800	C-TA,CHIP
2404-001516	C819	C-TA,CHIP
2404-001561	TA700	C-TA,CHIP
2409-001238	BAT600	C-EDL
2703-001231	L800	INDUCTOR-SMD
2703-002200	L150	INDUCTOR-SMD
2703-002309	L801	INDUCTOR-SMD

Main Electrical Parts List

2703-002309	L802	INDUCTOR-SMD
2703-002649	C306	INDUCTOR-SMD
2703-002858	L203	INDUCTOR-SMD
2703-002858	L315	INDUCTOR-SMD
2703-002901	L113	INDUCTOR-SMD
2703-002903	L101	INDUCTOR-SMD
2703-002903	L127	INDUCTOR-SMD
2703-002903	L146	INDUCTOR-SMD
2703-002903	L204	INDUCTOR-SMD
2703-002907	C138	INDUCTOR-SMD
2703-002907	L112	INDUCTOR-SMD
2703-002907	L114	INDUCTOR-SMD
2703-002907	L140	INDUCTOR-SMD
2703-002951	L206	INDUCTOR-SMD
2703-002953	L128	INDUCTOR-SMD
2703-002953	L132	INDUCTOR-SMD
2703-002958	L123	INDUCTOR-SMD
2703-002960	L119	INDUCTOR-SMD
2703-002961	L309	INDUCTOR-SMD
2703-002961	L311	INDUCTOR-SMD
2703-003001	L402	INDUCTOR-SMD
2703-003004	L106	INDUCTOR-SMD
2703-003502	L1000	INDUCTOR-SMD
2703-003545	L310	INDUCTOR-SMD
2703-003685	L902	INDUCTOR-SMD
2703-003897	L905	INDUCTOR-SMD
2703-003897	L906	INDUCTOR-SMD
2703-003904	L120	INDUCTOR-SMD
2703-003908	C114	INDUCTOR-SMD
2703-003908	C115	INDUCTOR-SMD
2703-003908	C161	INDUCTOR-SMD
2703-003908	L144	INDUCTOR-SMD
2703-003914	L115	INDUCTOR-SMD
2703-003915	L121	INDUCTOR-SMD
2703-003915	L126	INDUCTOR-SMD
2703-003915	L137	INDUCTOR-SMD
2703-003915	L143	INDUCTOR-SMD

2703-003915	L148	INDUCTOR-SMD
2703-003916	L139	INDUCTOR-SMD
2703-003917	L100	INDUCTOR-SMD
2703-003917	L103	INDUCTOR-SMD
2703-003917	L108	INDUCTOR-SMD
2703-003917	L145	INDUCTOR-SMD
2703-003920	L116	INDUCTOR-SMD
2703-003920	L117	INDUCTOR-SMD
2703-004011	L201	INDUCTOR-SMD
2703-004011	L602	INDUCTOR-SMD
2703-004012	L138	INDUCTOR-SMD
2703-004012	L151	INDUCTOR-SMD
2703-004012	L152	INDUCTOR-SMD
2703-004012	L302	INDUCTOR-SMD
2703-004012	L305	INDUCTOR-SMD
2703-004013	C313	INDUCTOR-SMD
2703-004013	L110	INDUCTOR-SMD
2703-004013	L313	INDUCTOR-SMD
2703-004030	L105	INDUCTOR-SMD
2703-004033	L141	INDUCTOR-SMD
2703-004034	L107	INDUCTOR-SMD
2703-004034	L109	INDUCTOR-SMD
2703-004034	L130	INDUCTOR-SMD
2703-004035	L133	INDUCTOR-SMD
2703-004036	L147	INDUCTOR-SMD
2703-004037	L122	INDUCTOR-SMD
2703-004037	L125	INDUCTOR-SMD
2703-004038	L312	INDUCTOR-SMD
2703-004231	L601	INDUCTOR-SMD
2703-004231	L603	INDUCTOR-SMD
2703-004231	L607	INDUCTOR-SMD
2703-004297	L1001	INDUCTOR-SMD
2703-004297	L600	INDUCTOR-SMD
2703-004297	L604	INDUCTOR-SMD
2703-004297	L605	INDUCTOR-SMD
2703-004297	L606	INDUCTOR-SMD
2703-004297	L803	INDUCTOR-SMD

Main Electrical Parts List

2703-004301	C162	INDUCTOR-SMD
2703-004344	L306	INDUCTOR-SMD
2703-004344	L307	INDUCTOR-SMD
2801-004551	OSC601	CRYSTAL-SMD
2801-005107	OSC300	CRYSTAL-SMD
2801-005149	OSC400	CRYSTAL-SMD
2801-005165	OSC600	CRYSTAL-SMD
2802-001287	OSC301	RESONATOR-CERAMIC
2901-001634	F900	FILTER-EMI/ESD
2904-001652	F101	FILTER-SAW
2904-001770	F103	FILTER-SAW
2904-001778	F107	FILTER-SAW
2904-001847	F100	FILTER-SAW
2904-001976	F108	FILTER-SAW
2904-001988	F301	FILTER-GPS SAW
2904-001990	F300	FILTER-GPS SAW
2904-002026	F106	FILTER-SAW
2904-002027	F104	FILTER-SAW
2911-000202	F102	DUPLEXER-ASM
3003-001136	MIC700	MIC MEMS
3003-001136	MIC702	MIC MEMS
3301-001659	L303	BEAD-SMD
3301-001729	L1002	BEAD-SMD
3301-001729	L1003	BEAD-SMD
3301-001729	L903	BEAD-SMD
3301-001729	L904	BEAD-SMD
3301-001756	L700	BEAD-SMD
3301-001756	L701	BEAD-SMD
3301-001756	L705	BEAD-SMD
3301-001756	L706	BEAD-SMD
3301-001789	L907	BEAD-SMD
3301-001789	L908	BEAD-SMD
3301-001812	L707	BEAD-SMD
3301-001812	L708	BEAD-SMD
3301-001851	L608	BEAD-SMD
3301-001956	L304	BEAD-SMD
3301-001970	L205	BEAD-SMD

3301-001986	L202	BEAD-SMD
3301-001986	L207	BEAD-SMD
3301-002037	L804	BEAD-SMD
3301-002065	L702	BEAD-SMD
3301-002066	L1004	BEAD-SMD
3404-001303	TAC700	SWITCH-TACT
3705-001448	RFS101	CONNECTOR-COAXIAL
3705-001731	RFS100	CONNECTOR-COAXIAL
3705-001731	RFS102	CONNECTOR-COAXIAL
3711-006843	HDC900	HEADER-BOARD TO BOARD
3711-006923	HDC400	HEADER-BOARD TO BOARD
3711-007071	HDC1002	HEADER-BOARD TO BOARD
3711-007295	HDC1001	HEADER-BOARD TO BOARD
3711-007841	BTC800	HEADER-BATTERY
3711-008151	HDC700	HEADER-BOARD TO BOARD
3711-008157	HDC701	HEADER-BOARD TO BOARD
3712-001373	ANT800	CONNECTOR-TERMINAL
3712-001373	ANT801	CONNECTOR-TERMINAL
3712-001373	ANT802	CONNECTOR-TERMINAL
3712-001375	ANT100	CONNECTOR-TERMINAL
3712-001375	ANT101	CONNECTOR-TERMINAL
3712-001375	ANT102	CONNECTOR-TERMINAL
3712-001375	ANT300	CONNECTOR-TERMINAL
3712-001375	ANT301	CONNECTOR-TERMINAL
3712-001375	CLP700	CONNECTOR-TERMINAL
3712-001375	CLP701	CONNECTOR-TERMINAL
3712-001378	ANT803	CONNECTOR-TERMINAL
3712-001378	U1013	CONNECTOR-TERMINAL
3722-003512	IFC800	JACK-MINI USB
4709-002109	U304	W-LAN MODULE
GH61-01117A	SUS701	CLIP-SUS_TOP
GH61-01118A	SUS700	CLIP-SUS_BOT
GH63-00900A	SC901	SHIELD-FRAME SMD
GH70-07467A	SC400	ICT SHIELD-CAN CLIP
GH70-07467A	SC401	ICT SHIELD-CAN CLIP
GH70-07467A	SC402	ICT SHIELD-CAN CLIP
GH70-07467A	SC403	ICT SHIELD-CAN CLIP

Main Electrical Parts List

GH70-07467A	SC404	ICT SHIELD-CAN CLIP
GH70-07467A	SC405	ICT SHIELD-CAN CLIP
GH70-07467A	SC406	ICT SHIELD-CAN CLIP
GH70-07467A	SC407	ICT SHIELD-CAN CLIP
GH70-07467A	SC408	ICT SHIELD-CAN CLIP
GH70-07467A	SC409	ICT SHIELD-CAN CLIP
GH70-07467A	SC410	ICT SHIELD-CAN CLIP
GH70-07467A	SC411	ICT SHIELD-CAN CLIP
GH70-07467A	SC413	ICT SHIELD-CAN CLIP
GH70-07467A	SC415	ICT SHIELD-CAN CLIP

Please consult the GSPN website (Samsung Portal) for the most recent version of the product's part list.

7. Level 2 Repair

7-1. Disassembly

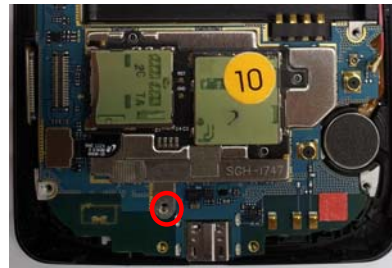
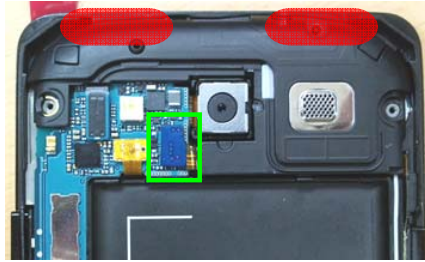
1

1. Unscrew the screw in Rear(10 points)
- SEC : 6001-002083 , 1.4X3.5
2. Disassemble rear



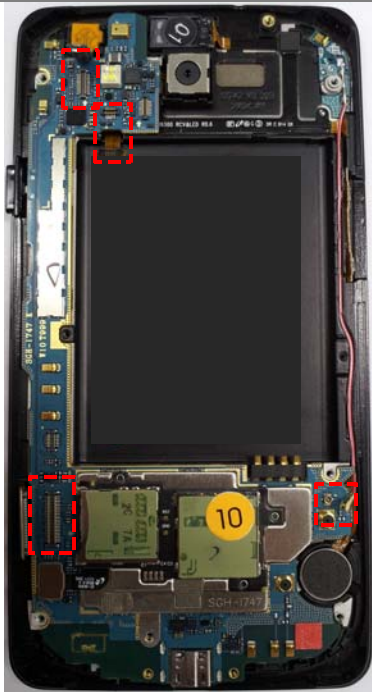
2

1. Separate the connector
2. Disassemble SPK assy
3. Unscrew the screw (1 point)
- SEC : 6001-001530 , 1.4X2.5



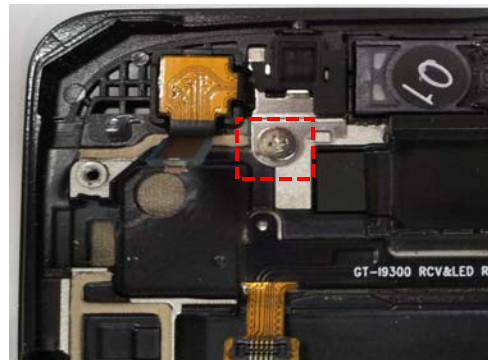
3

1. Separate the connector(3 point)
2. Disassemble Coaxial Cable connector(1 point)



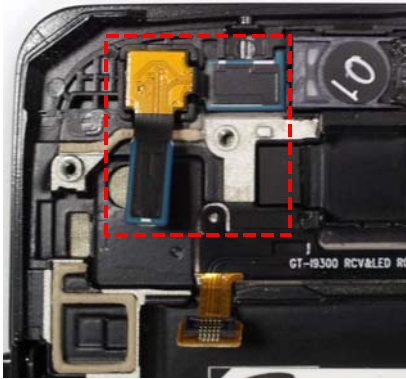
4

1. Unscrew the screw (1 point)
- SEC : 6001-002262 , 1.4X1.5
2. Disassemble sus .



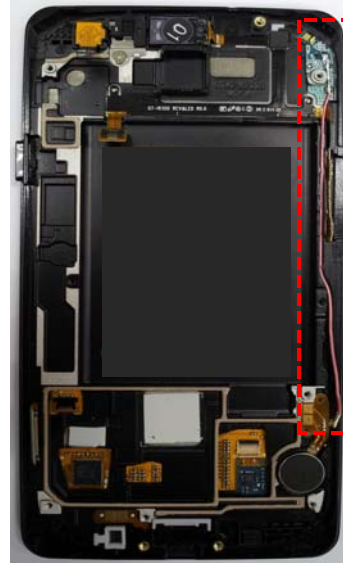
5

1.Disassemble Front-cam Assy.



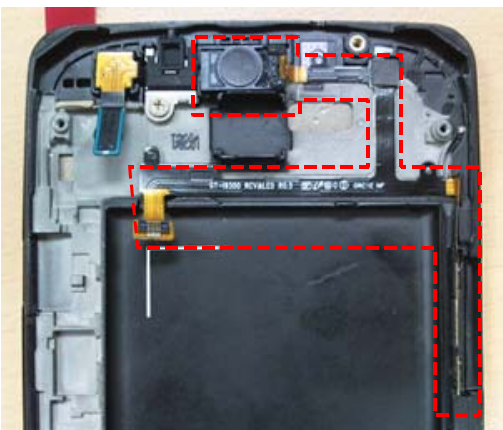
6

1.Disassemble Coaxial cable Assy.



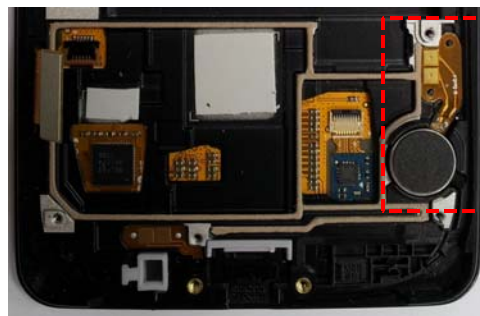
7

1.Disassemble Receiver Assy.



8

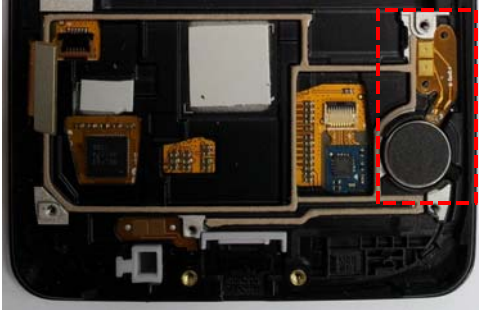
1.Disassemble Motor Assy.



7-2. Assembly

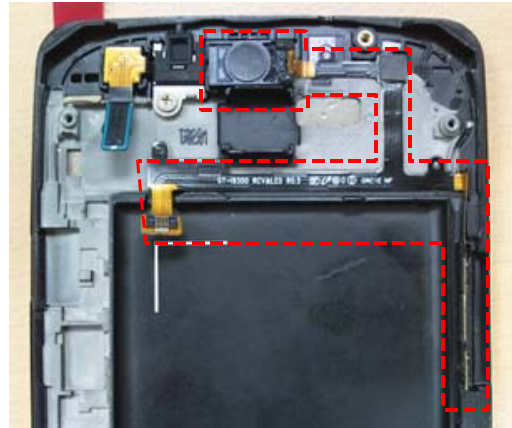
1

1. Assemble Motor Assy.



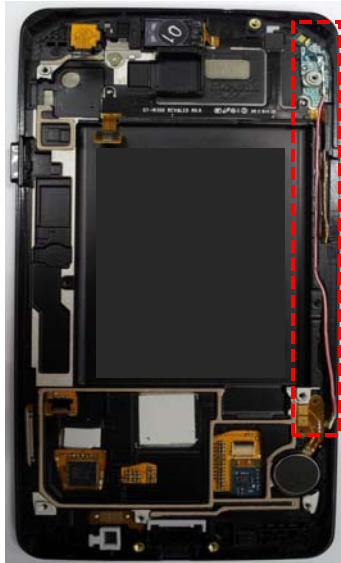
2

1. Assemble Receiver Assy.



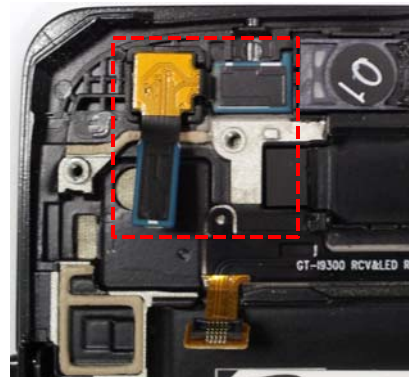
3

1. Assemble Coaxial cable Assy



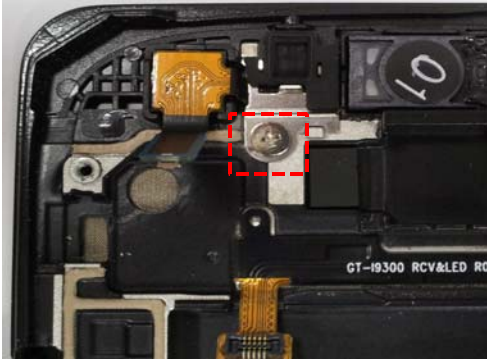
4

1. Assemble Front-cam assy.



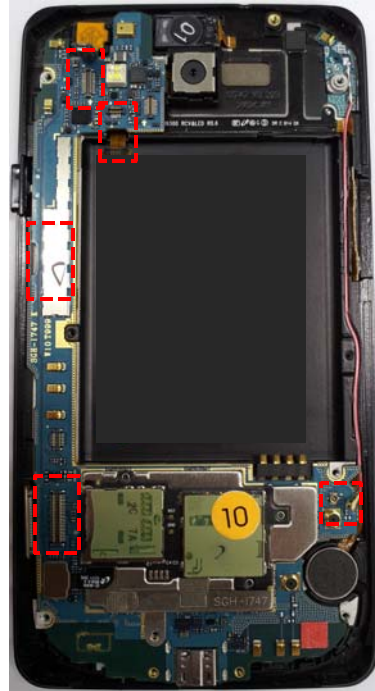
5

- 1.Assemble sus .
- 2.screw the screw (1 point)
- SEC : 6001-002262 , 1.4X1.5



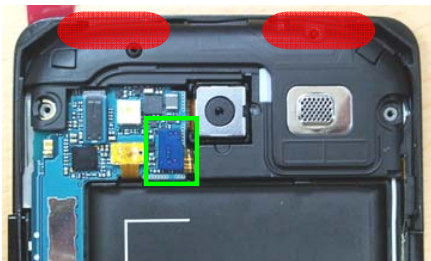
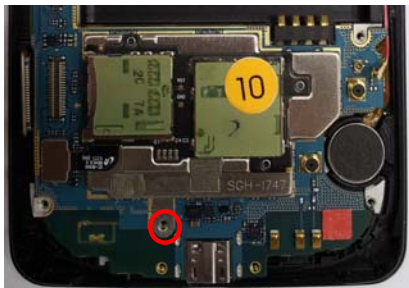
6

- 1.Assemble Coaxial Cable connector
- 2.Assemble the connectors



7

- 1. Screw the screw (1 point)
- SEC : 6001-001530 , 1.4X2.5
- 2. Assemble SPK assy
- 3. Assemble connector



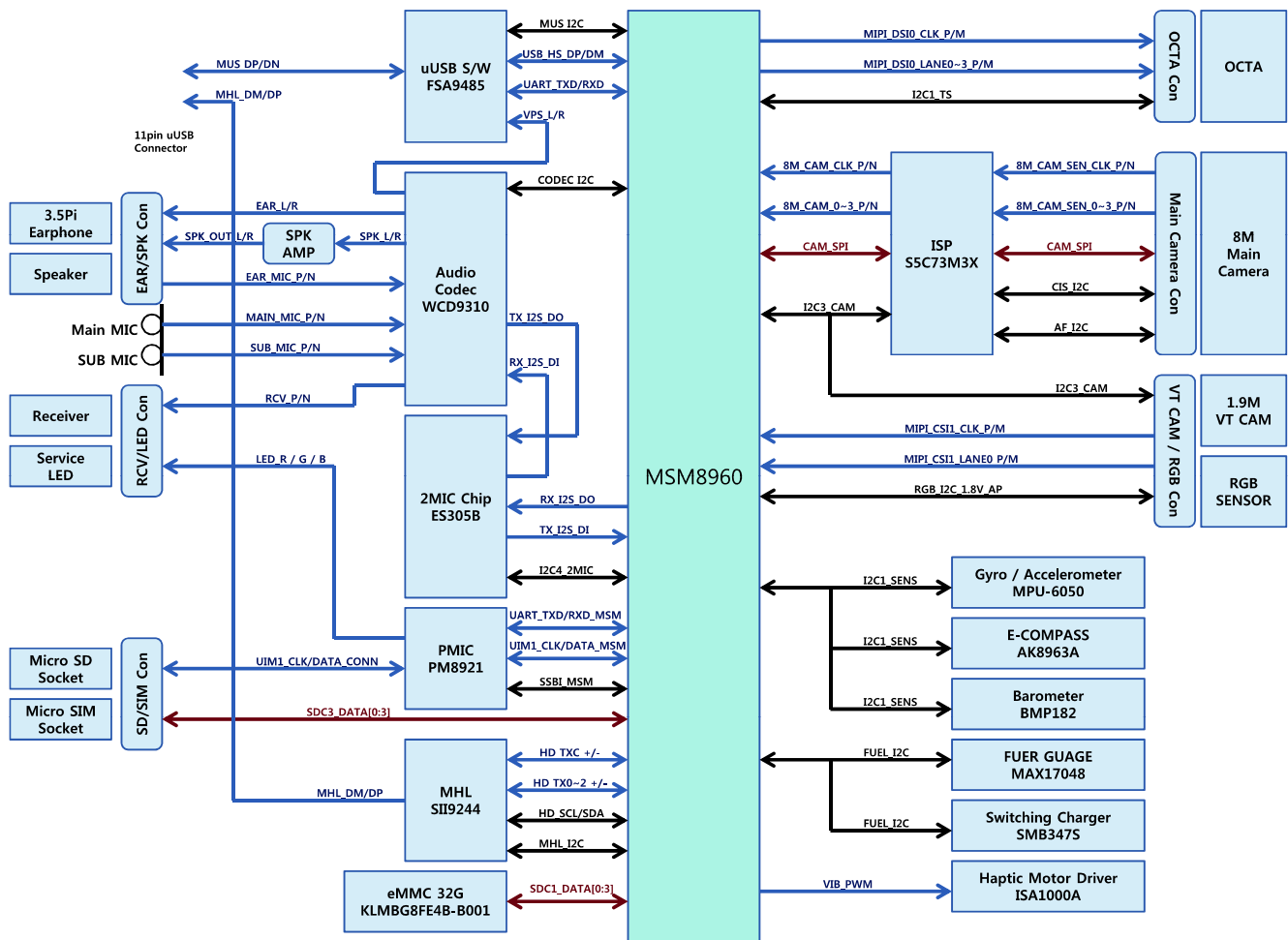
8

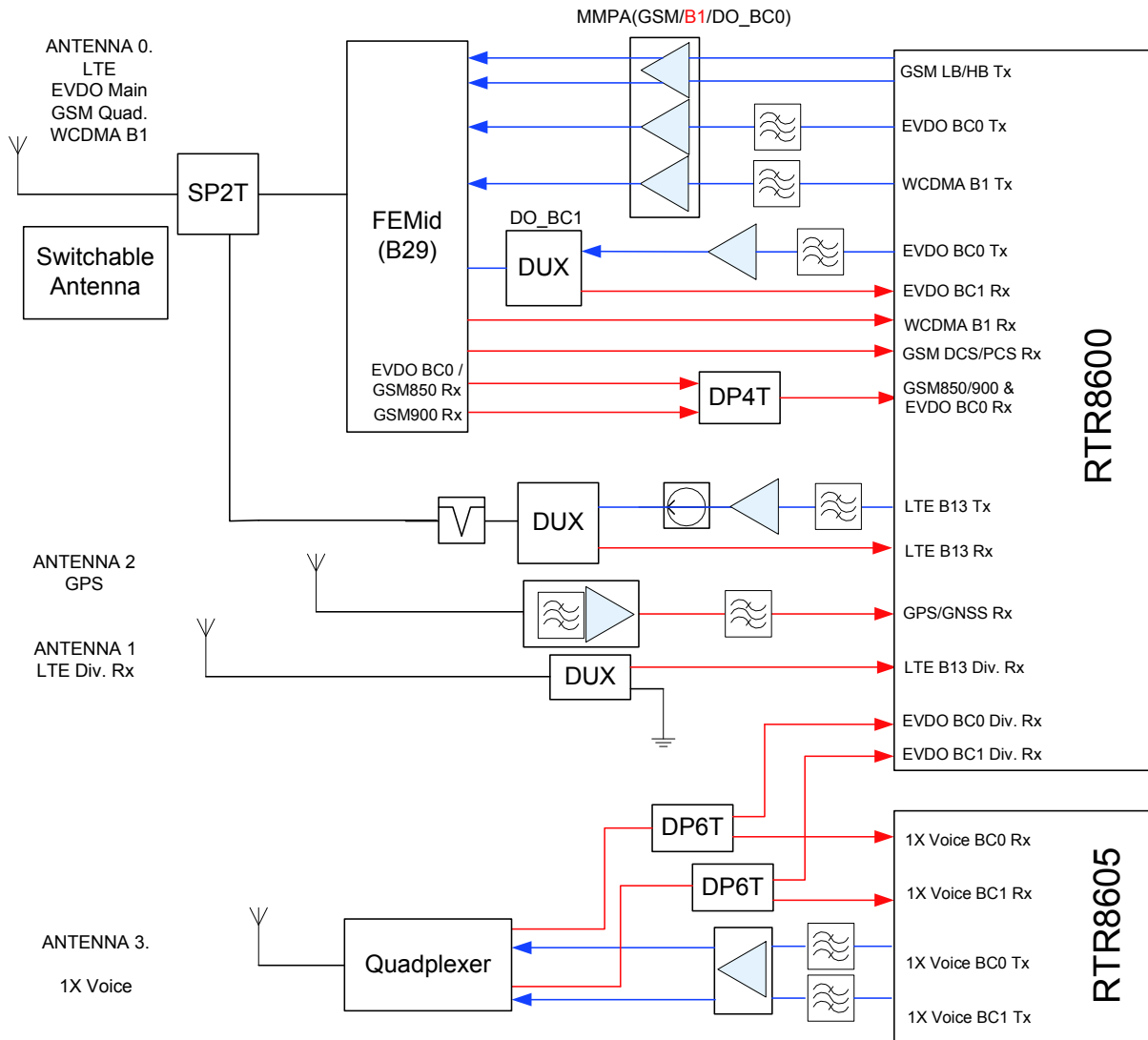
- 1.Assemble rear
- 2.Screw the screw in Rear(10 points)
- SEC : 6001-002083 , 1.4X3.5



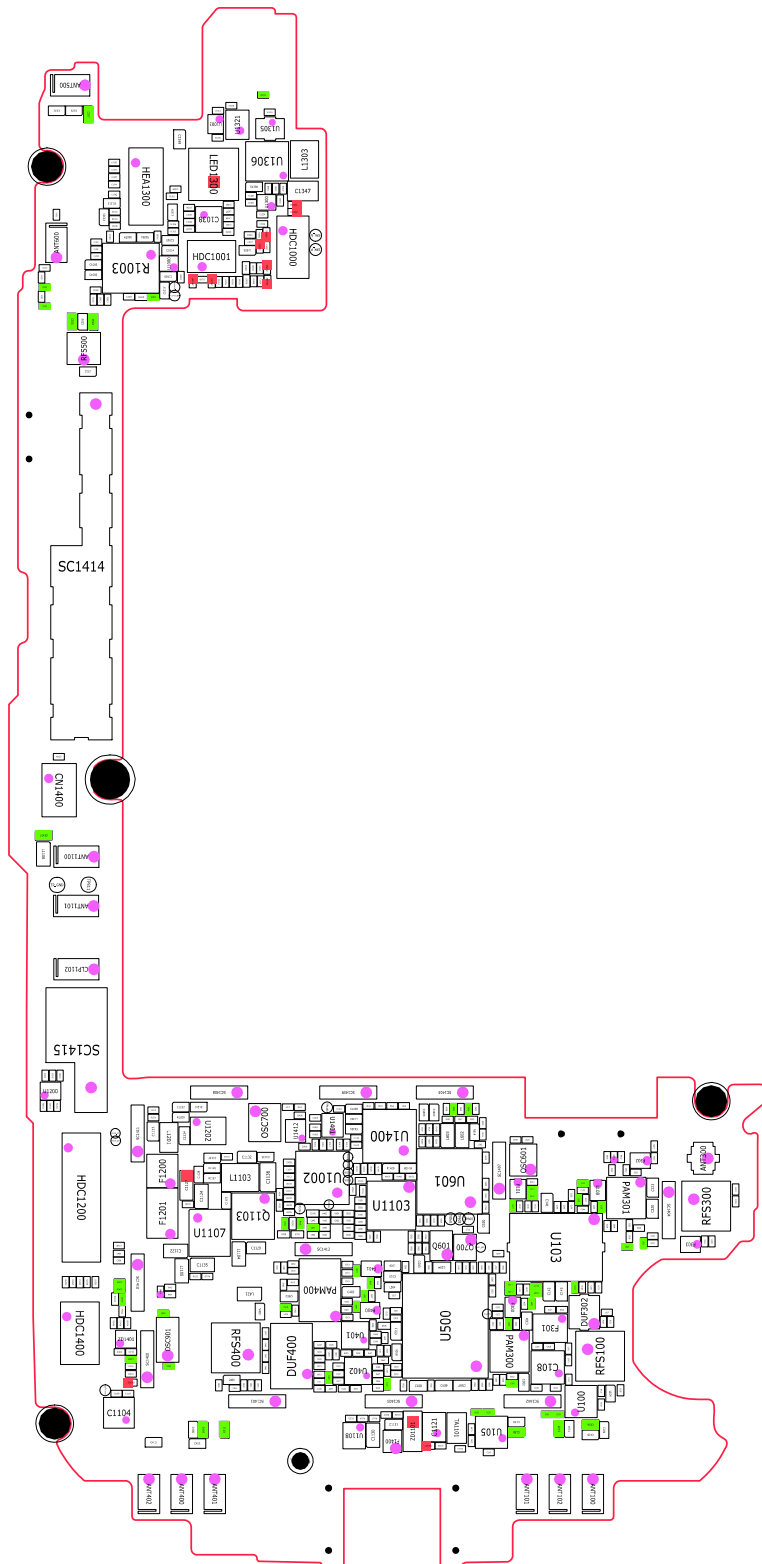
8. Level 3 Repair

8-1. Block Diagram

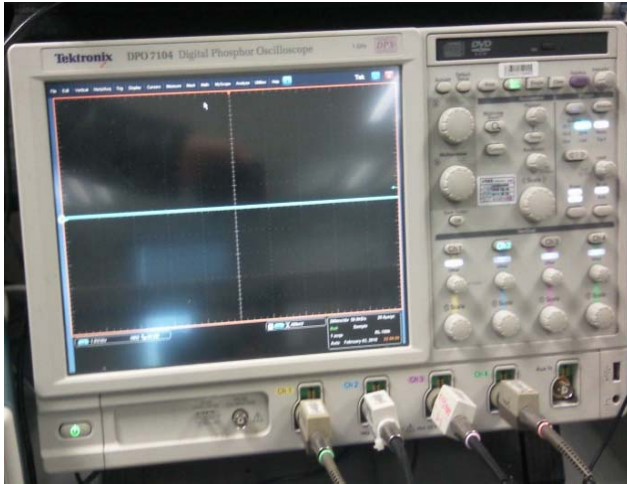




8-2-1. Bottom



8-3. Flow Chart of Troubleshooting Equipments



↑ Oscilloscope



↑ Digital Multimeter

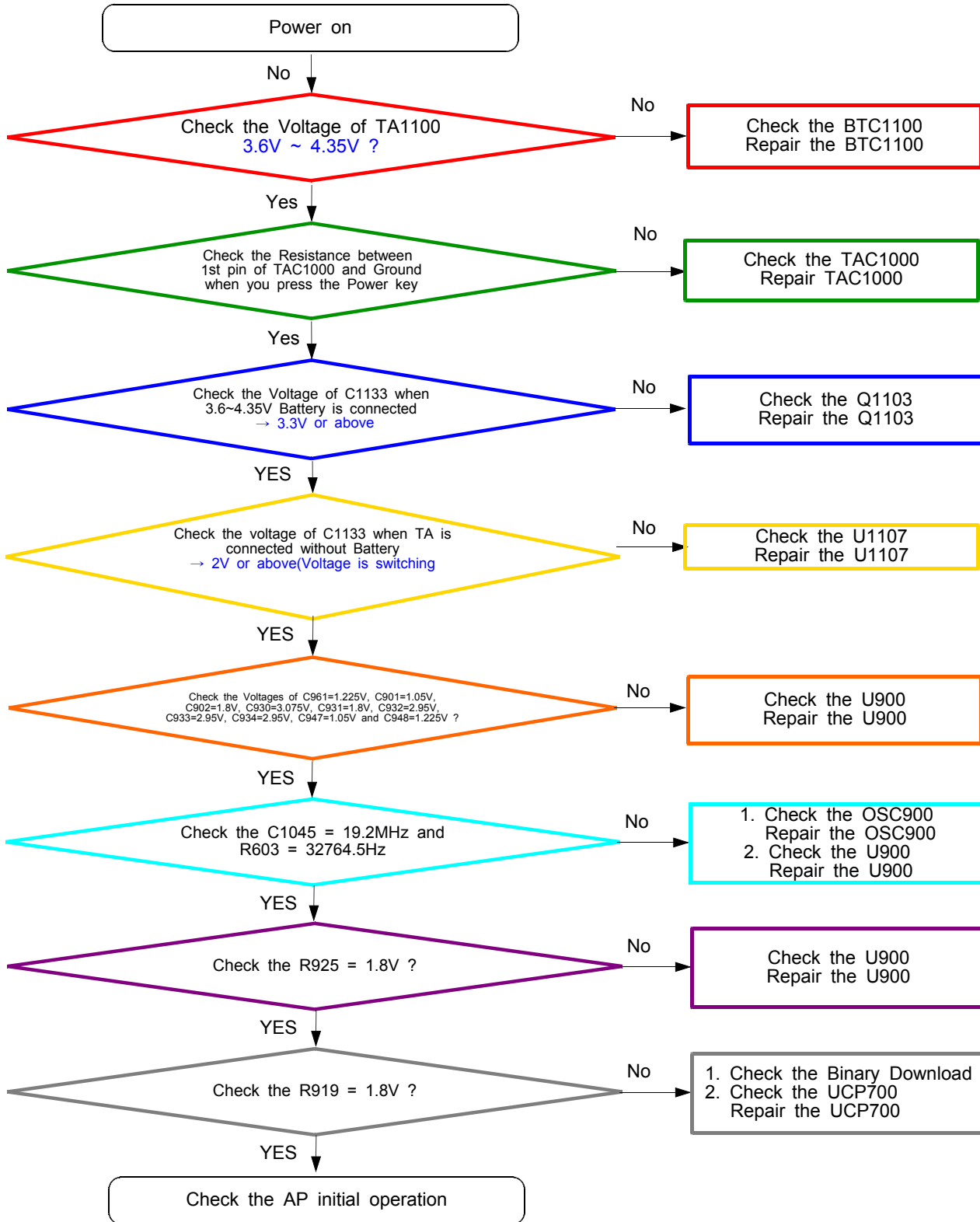


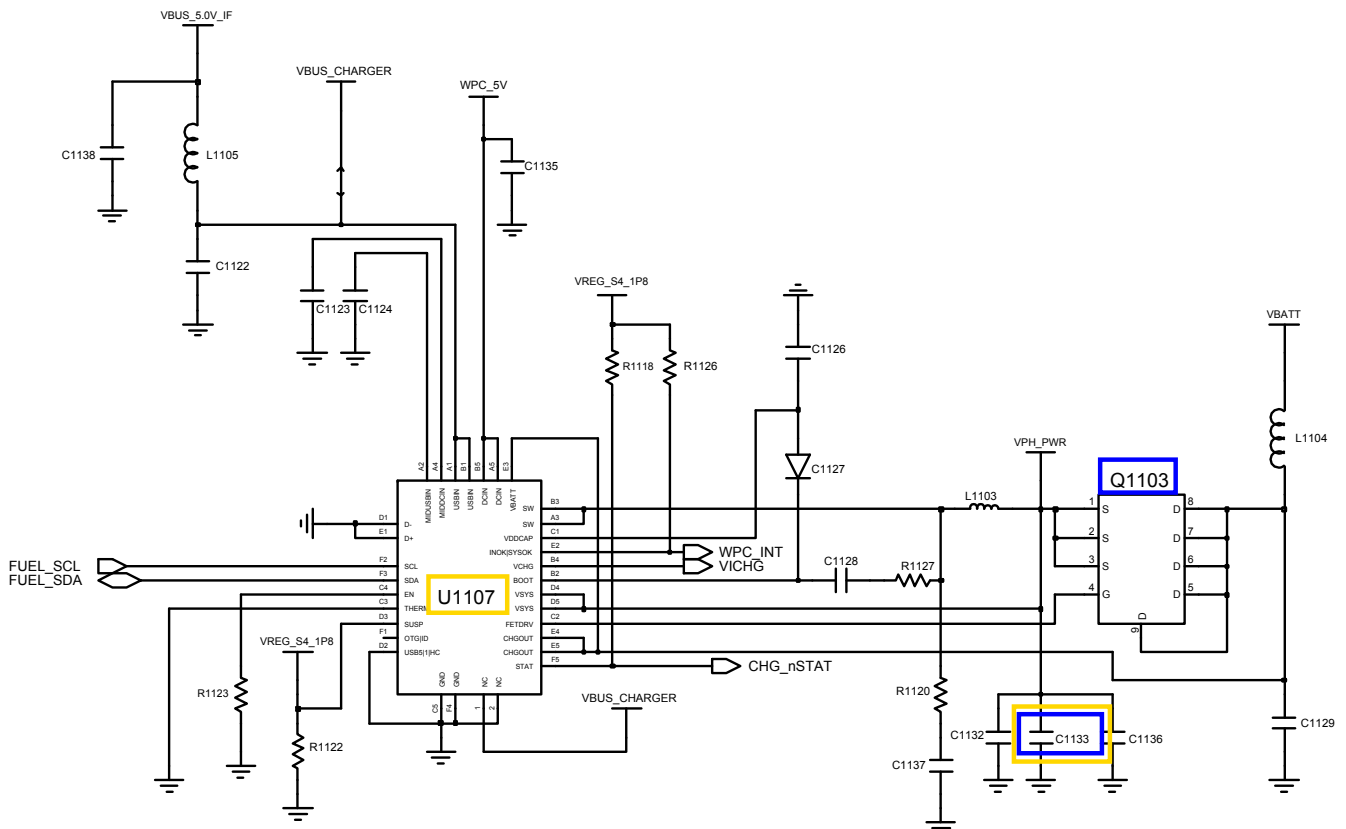
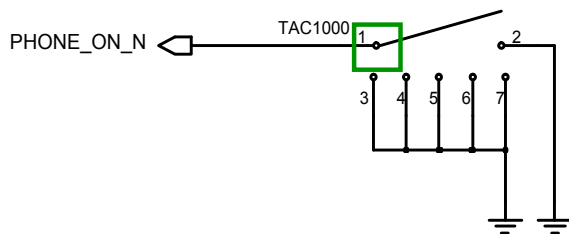
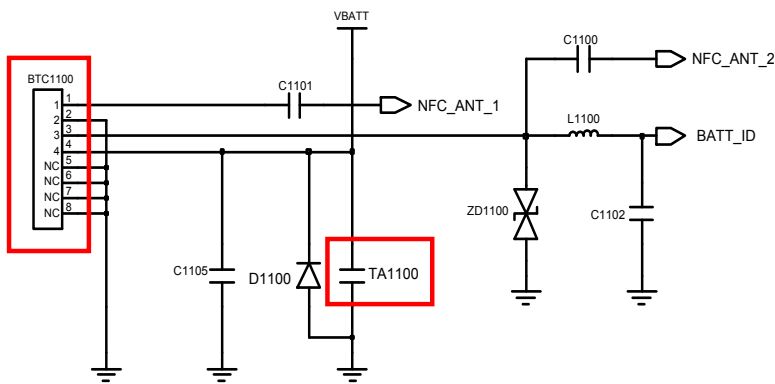
↑ Power Supply

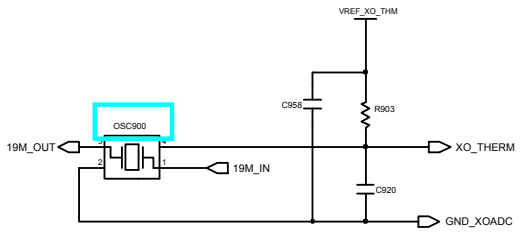
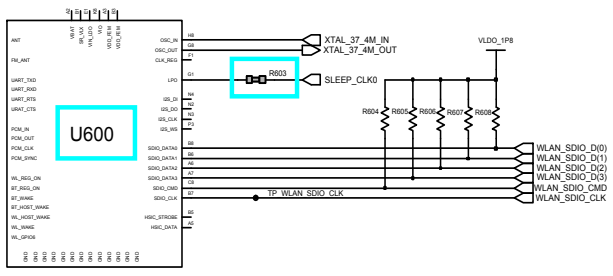
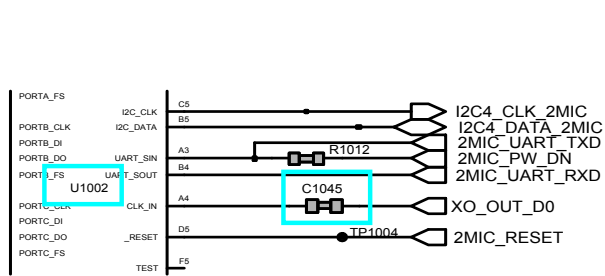
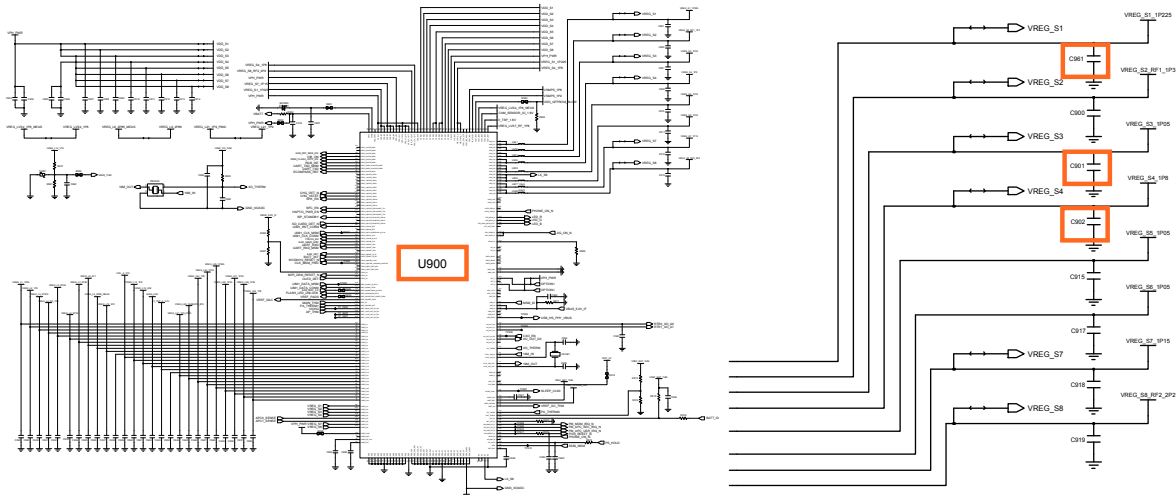


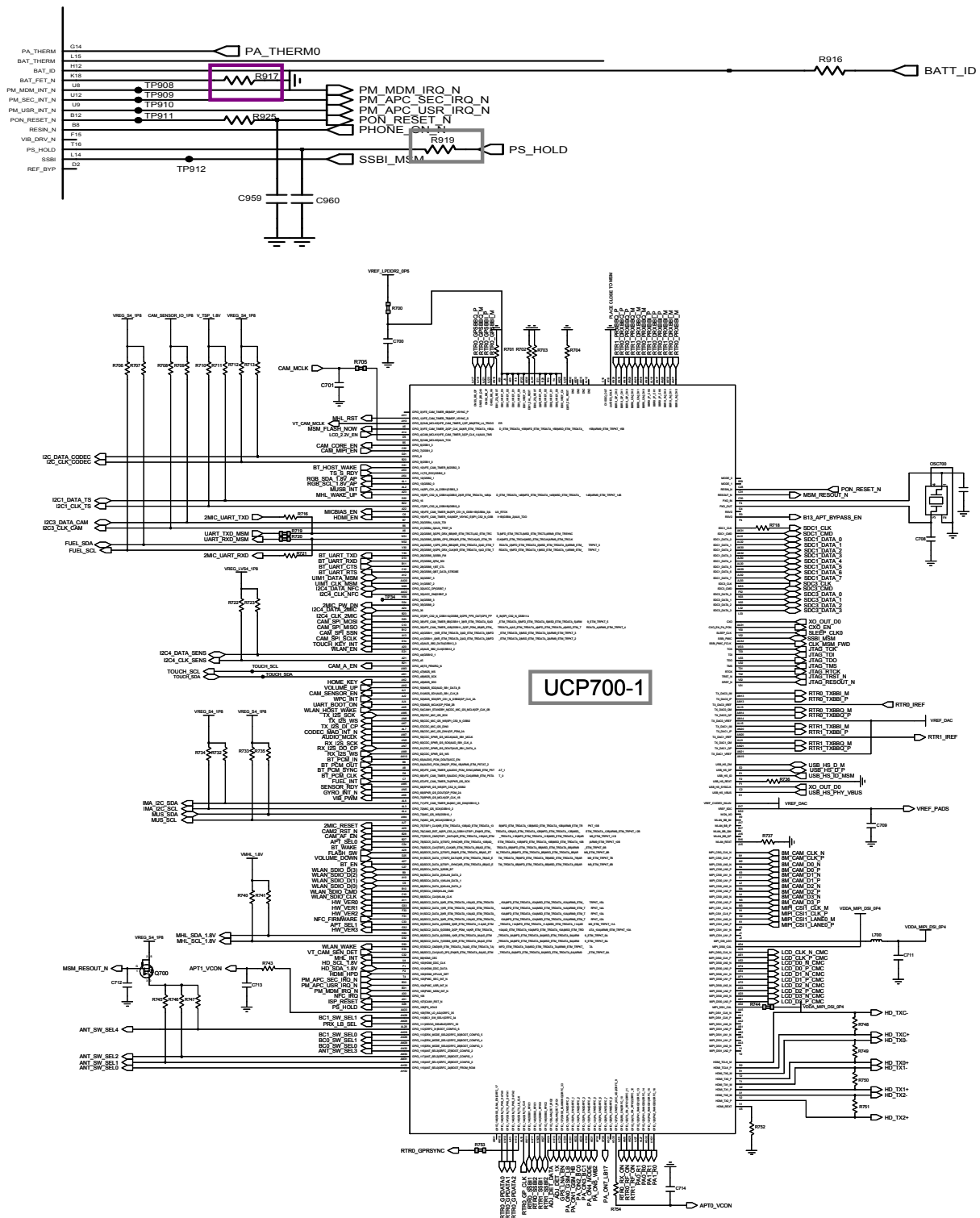
↑ + driver, Tweezer

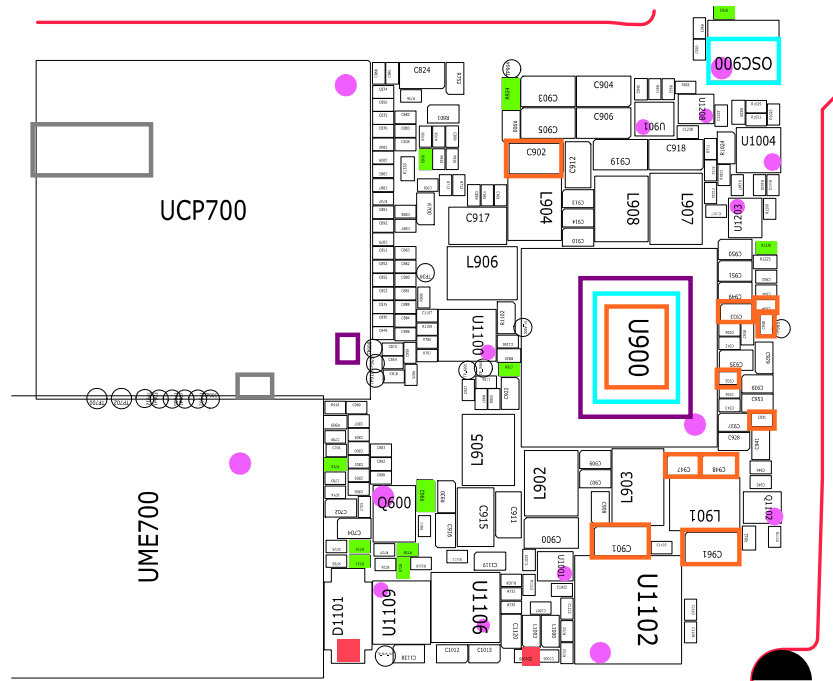
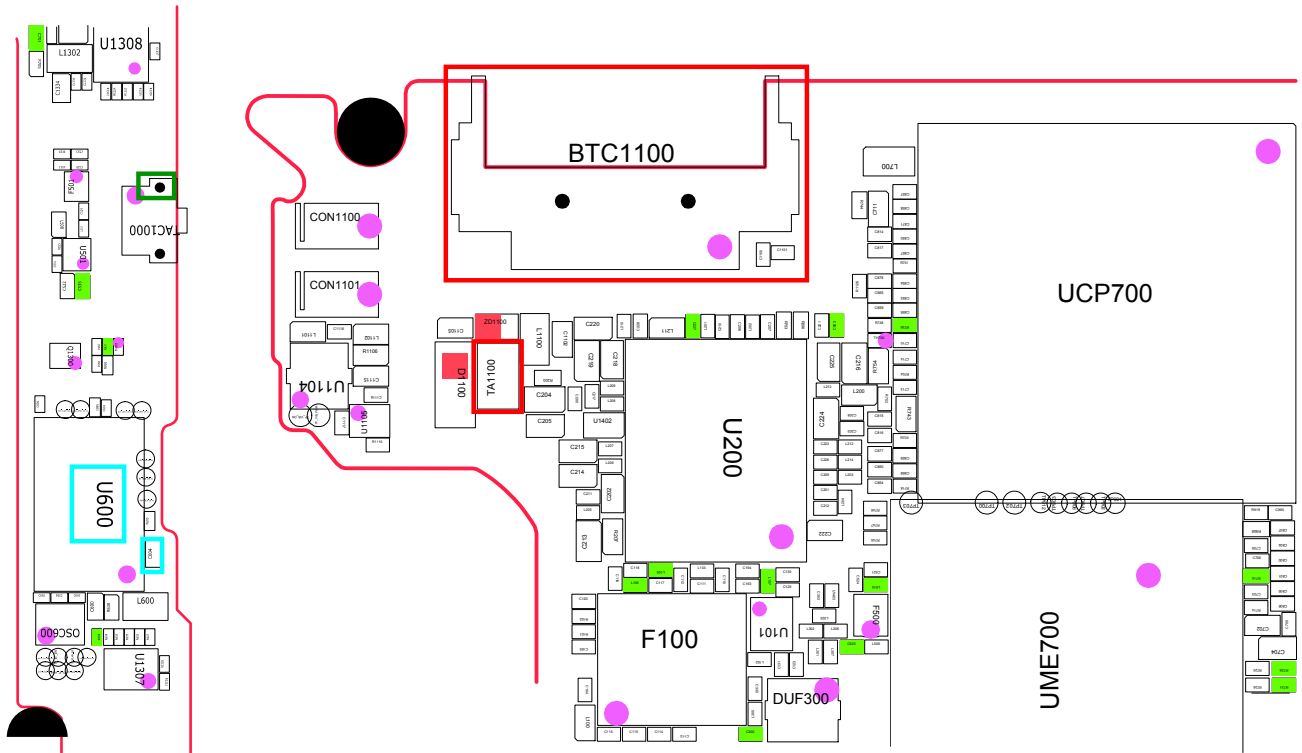
8-3-1. AP Power On

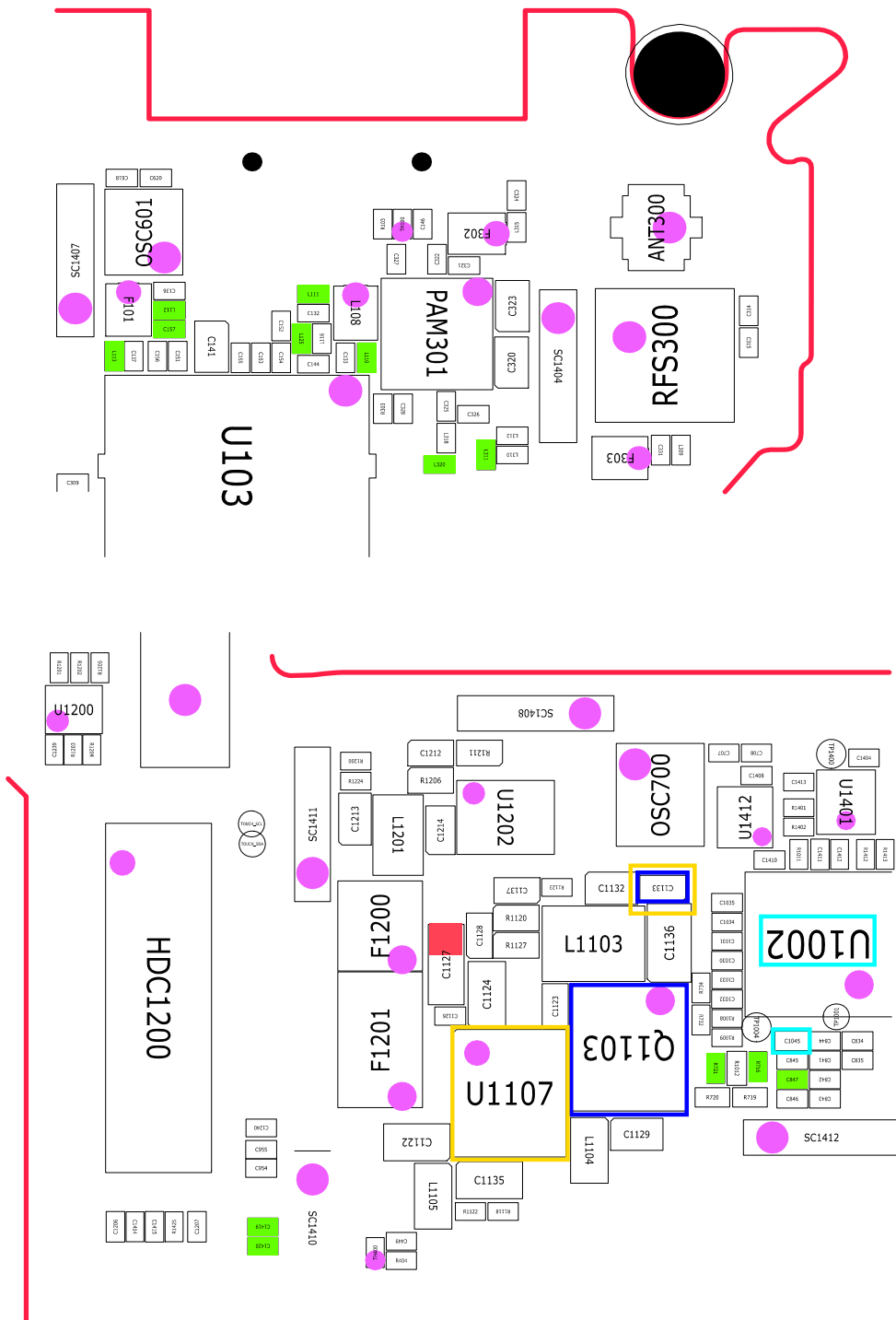




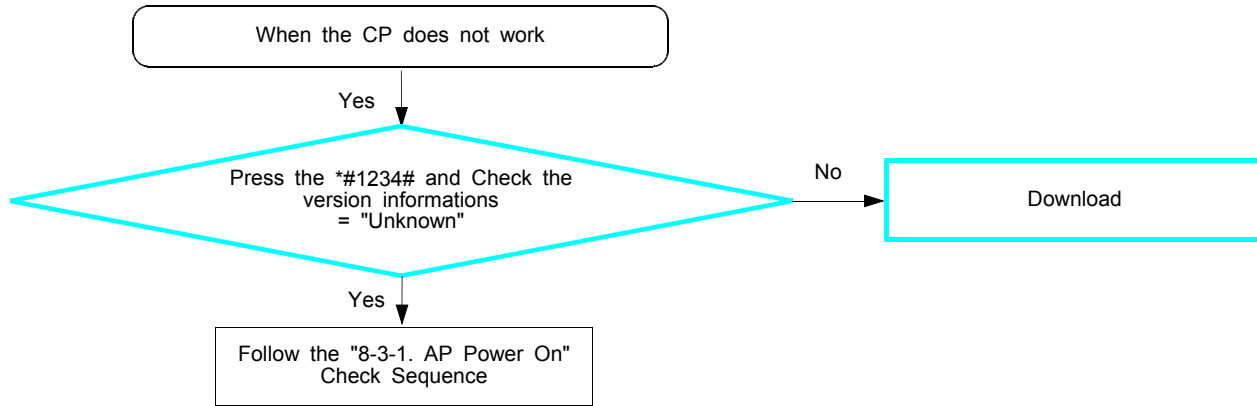




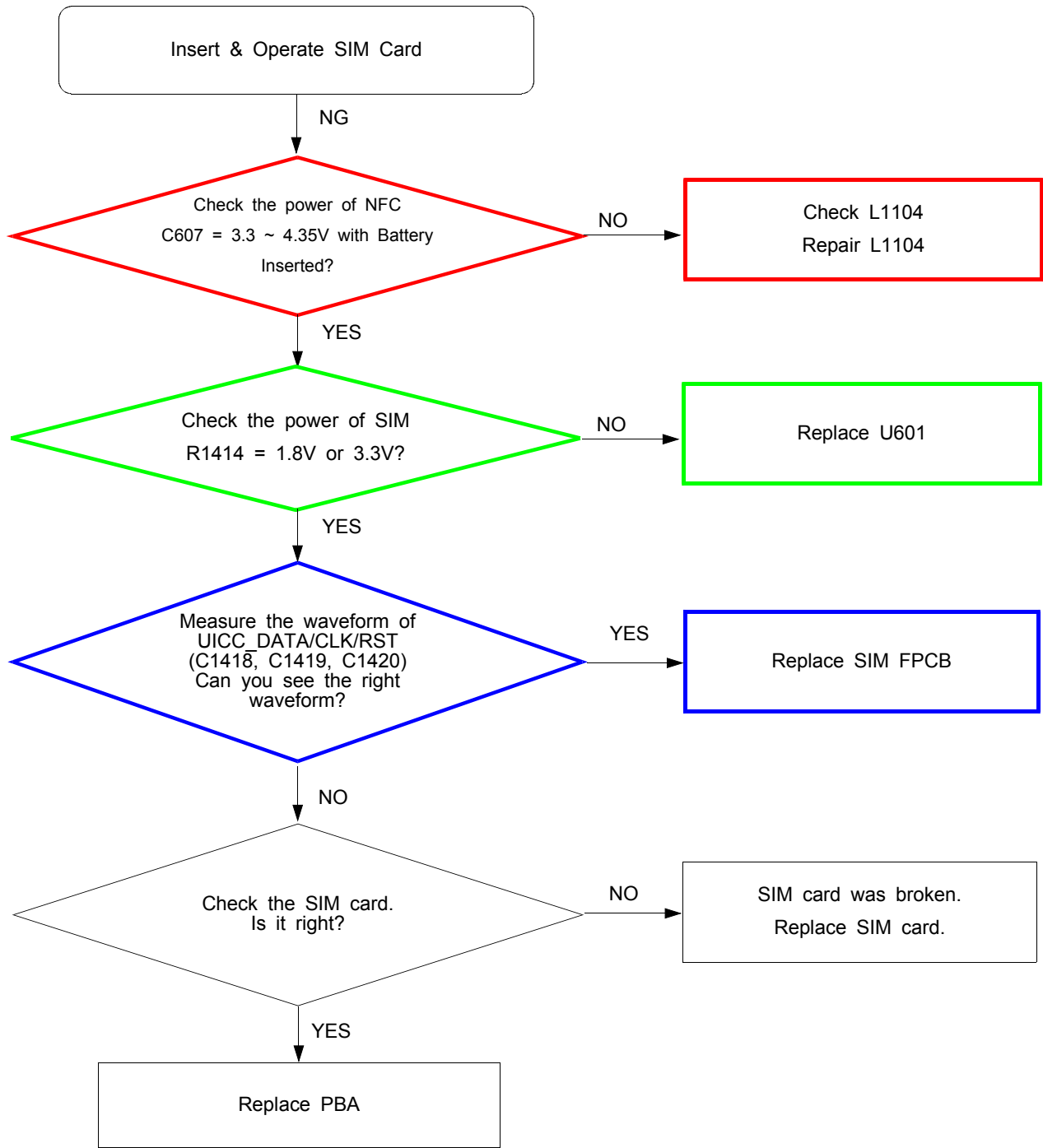


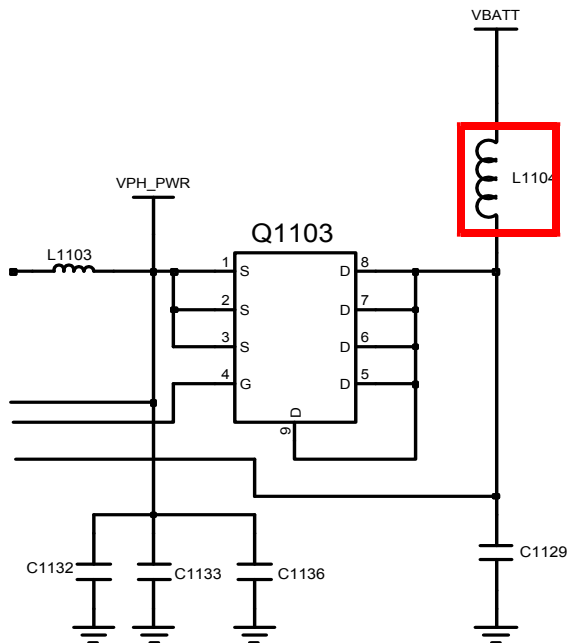
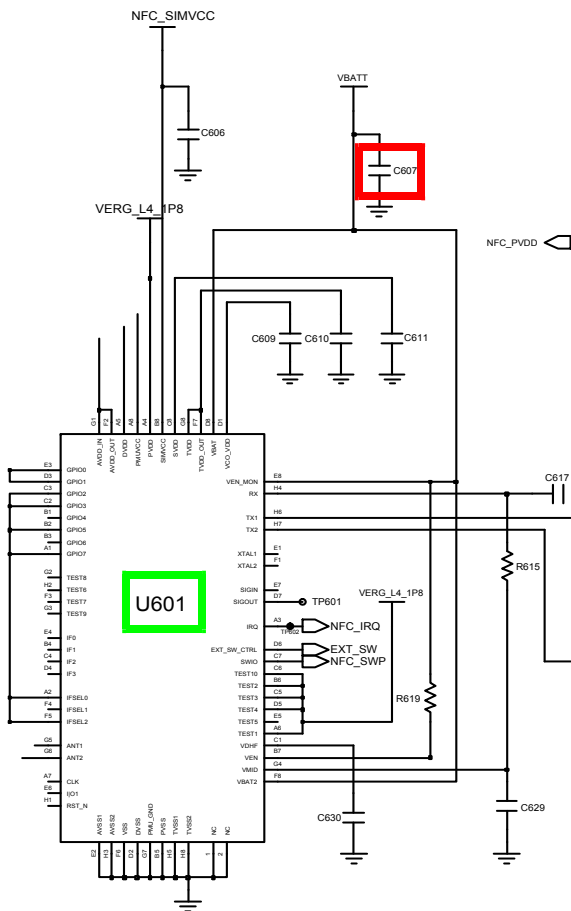
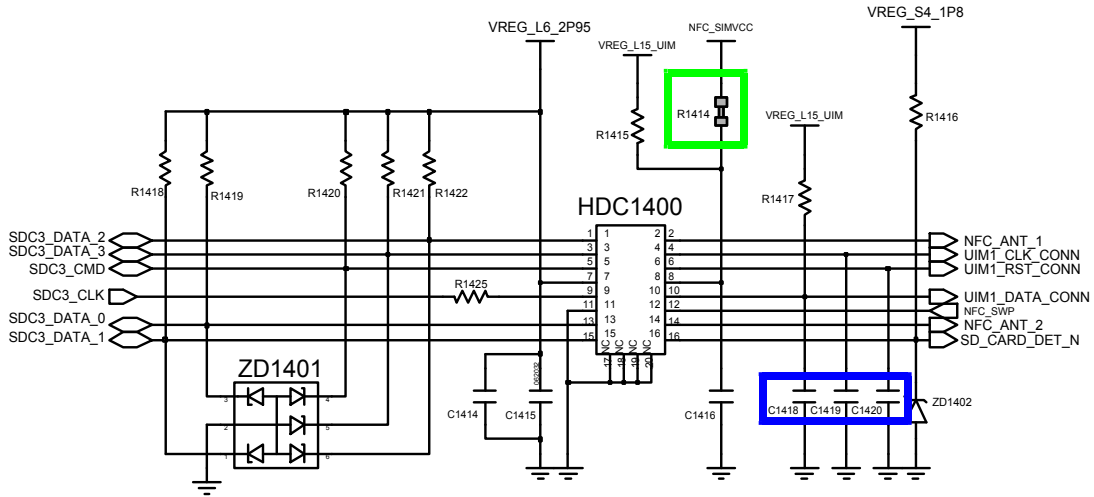


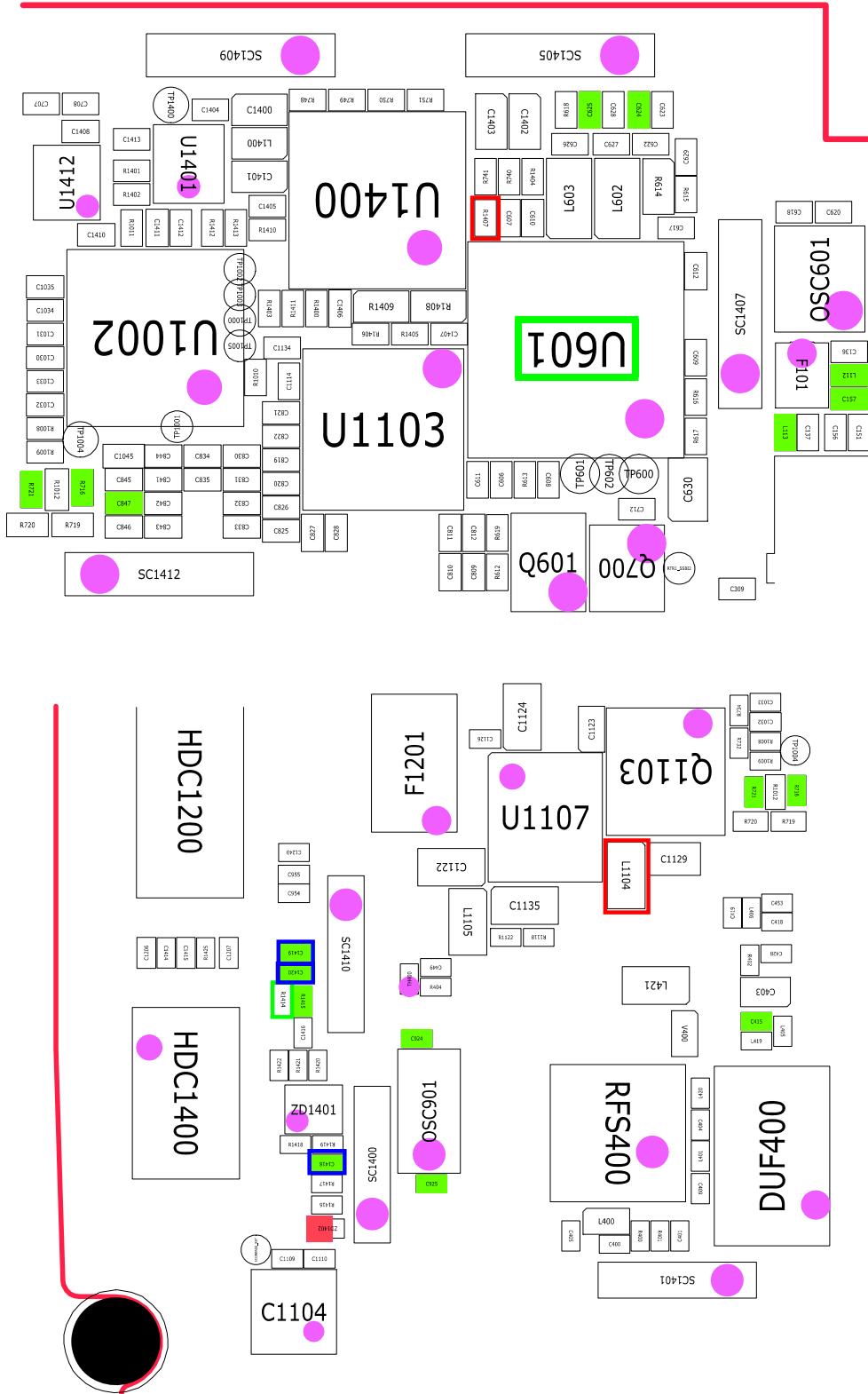
8-3-2. CP Power On



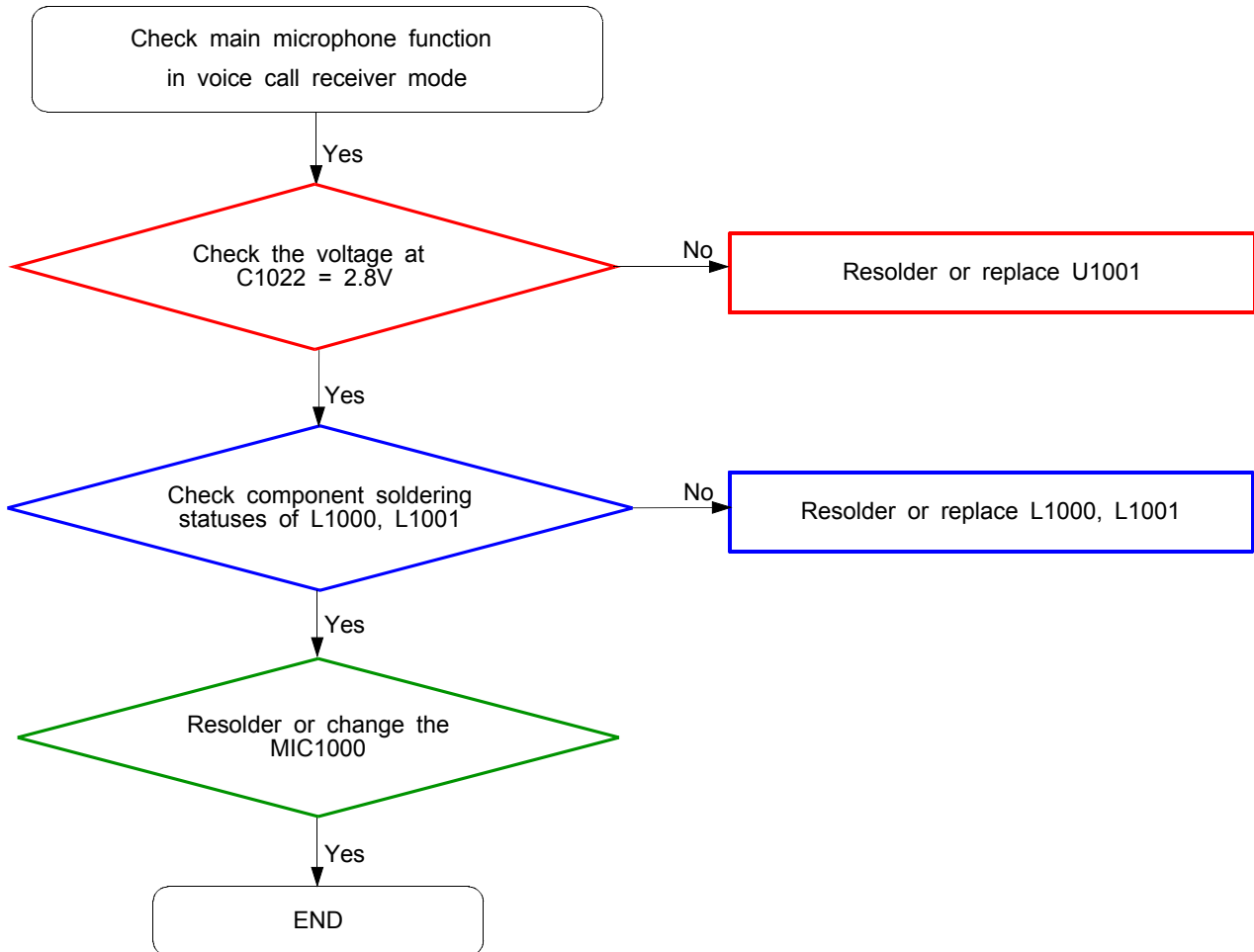
8-3-3.USIM Part

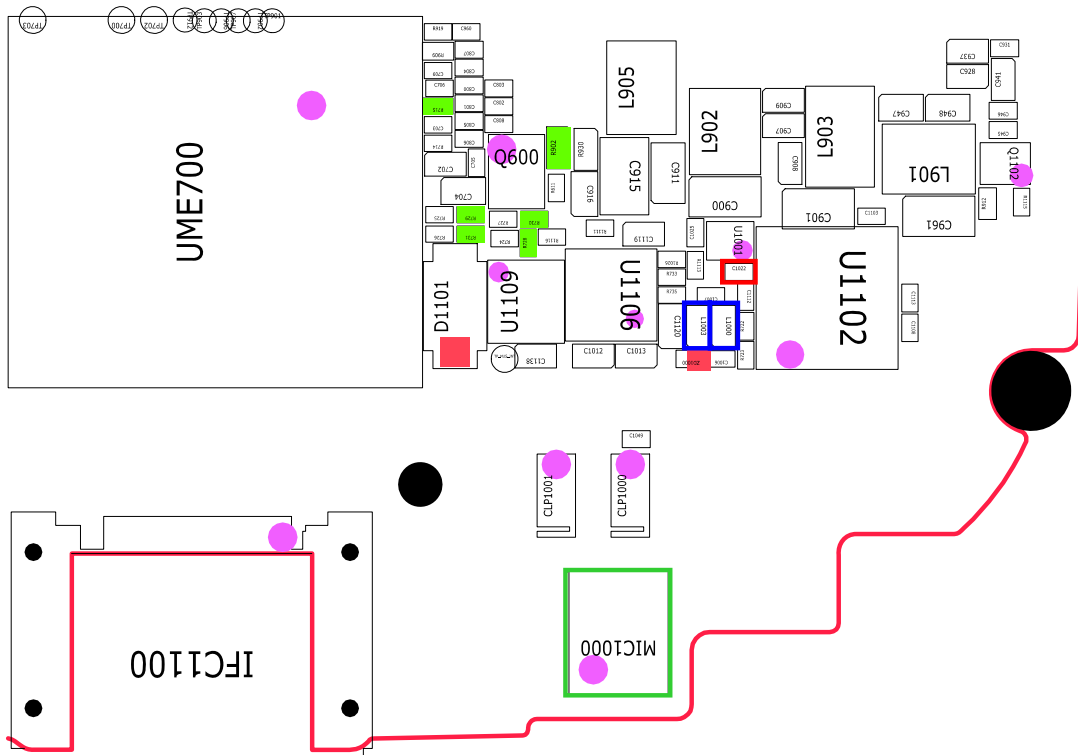
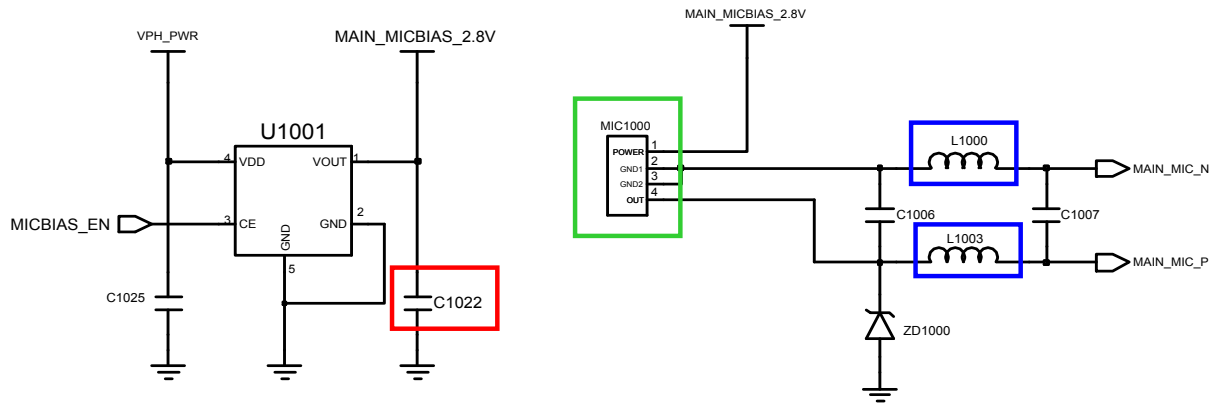




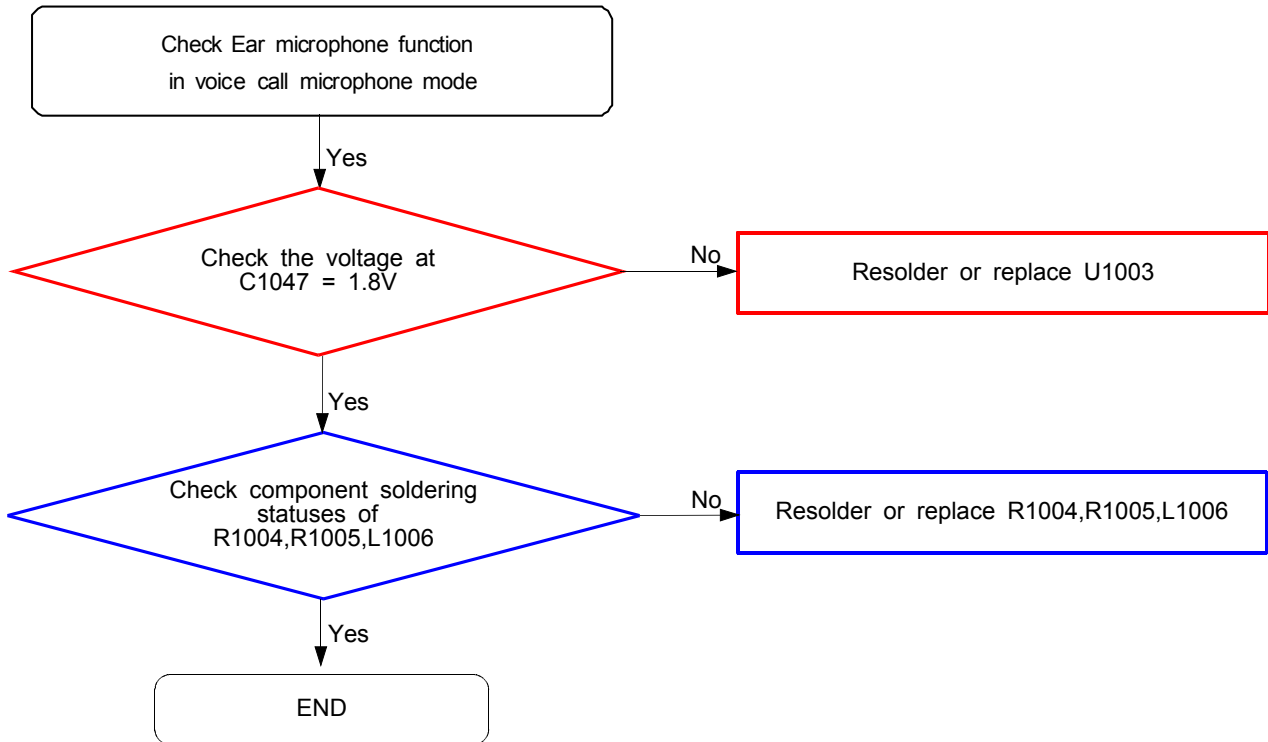


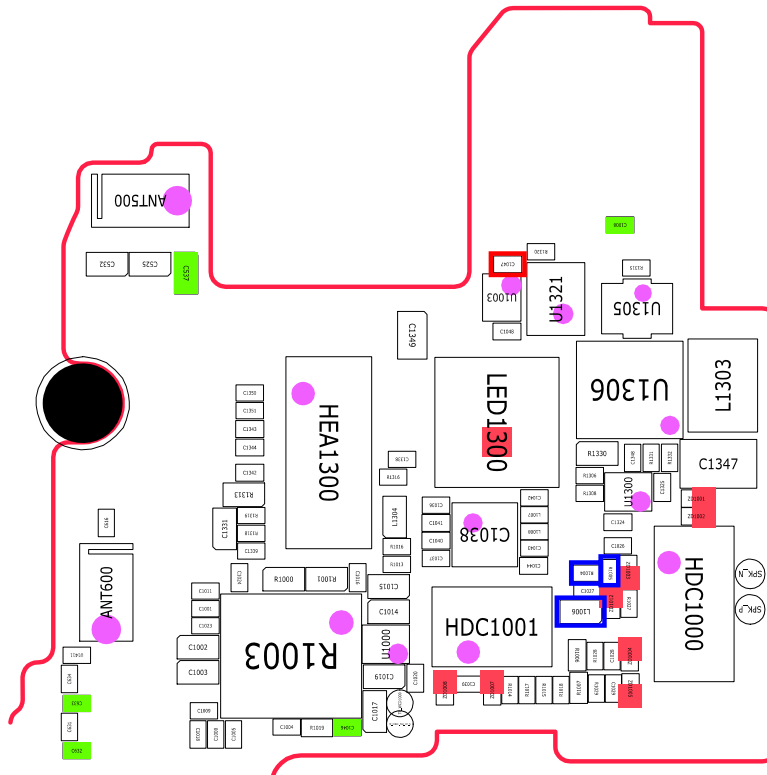
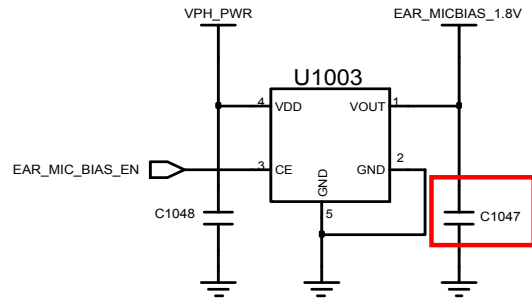
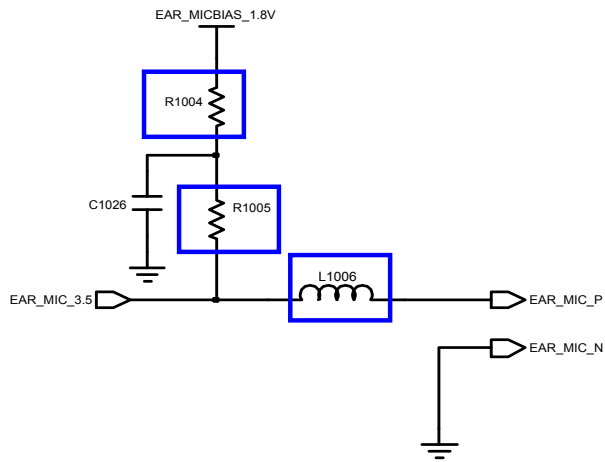
8-3-4. Microphone Part - MAIN MIC



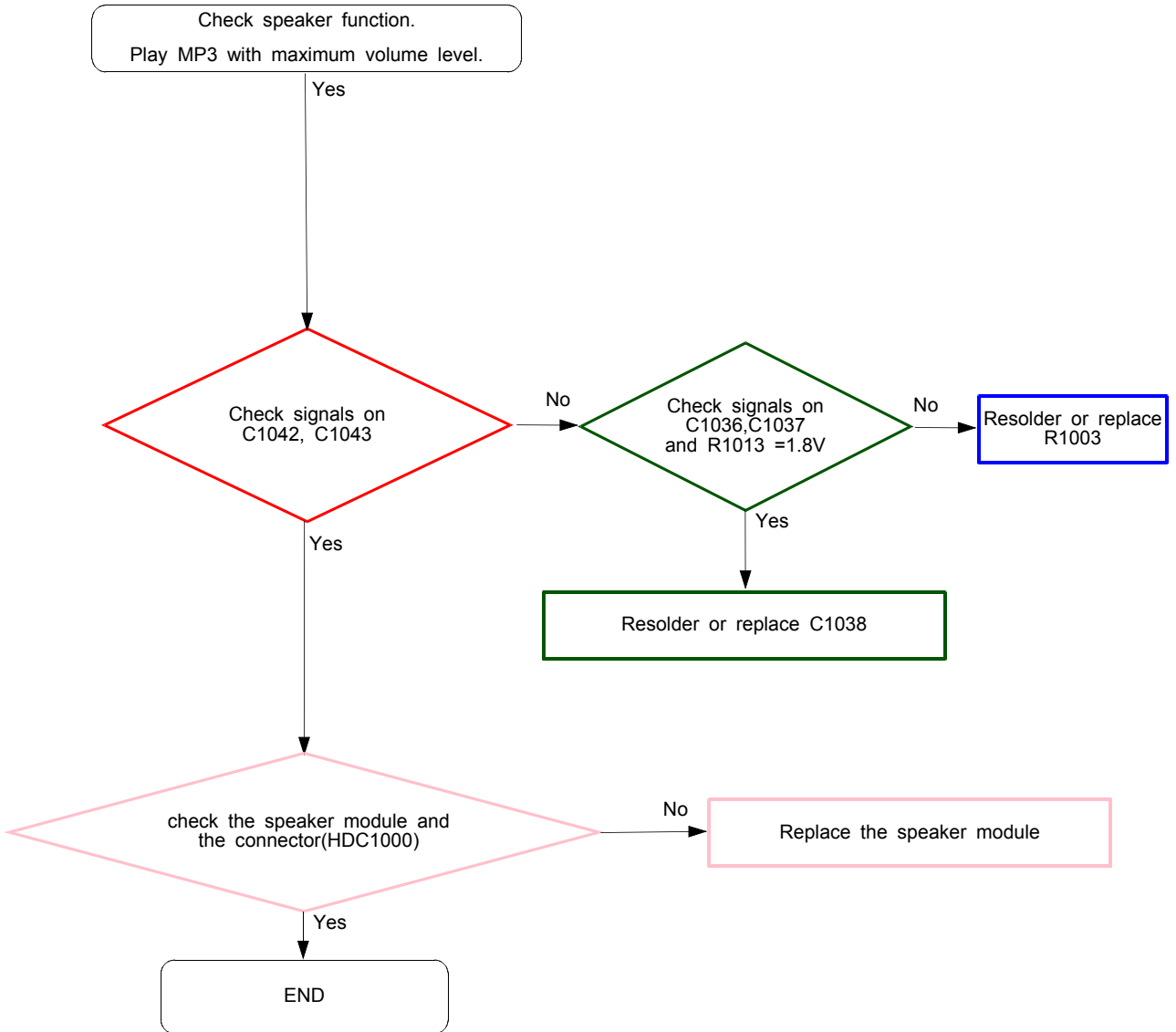


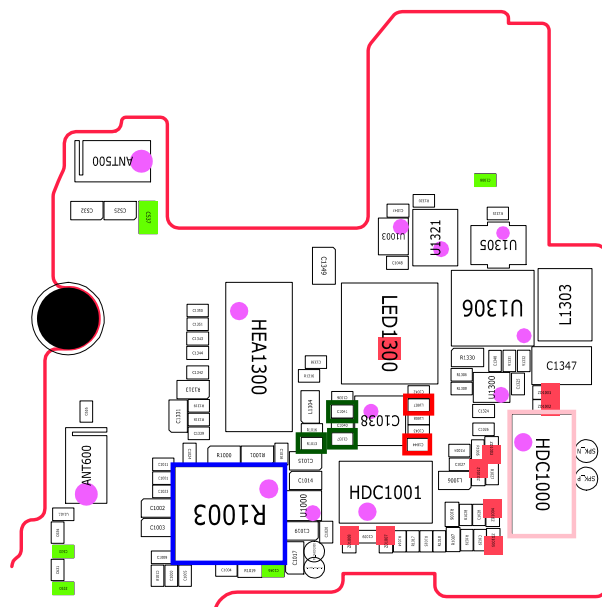
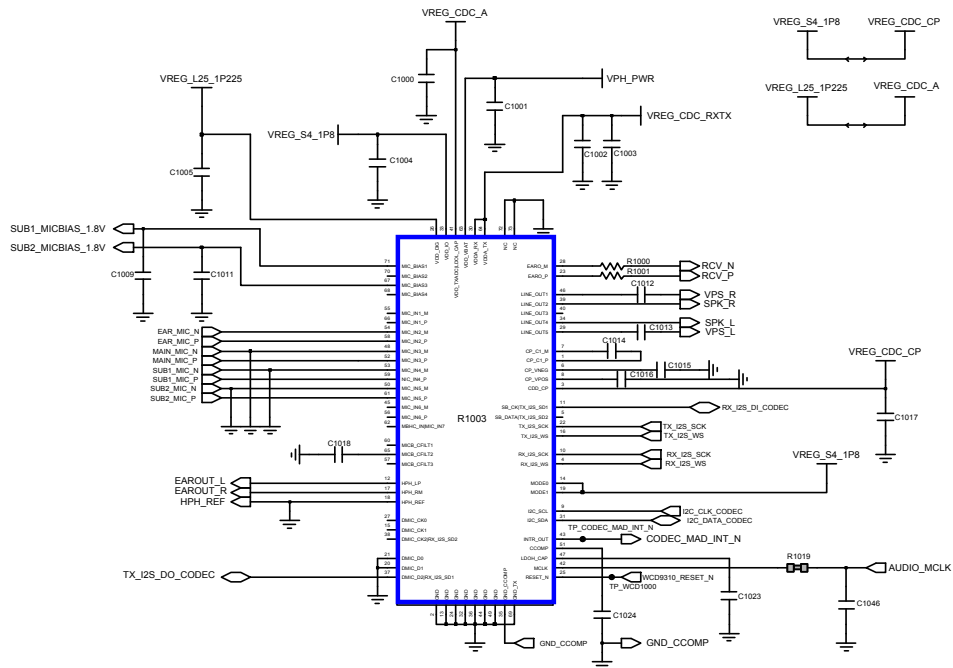
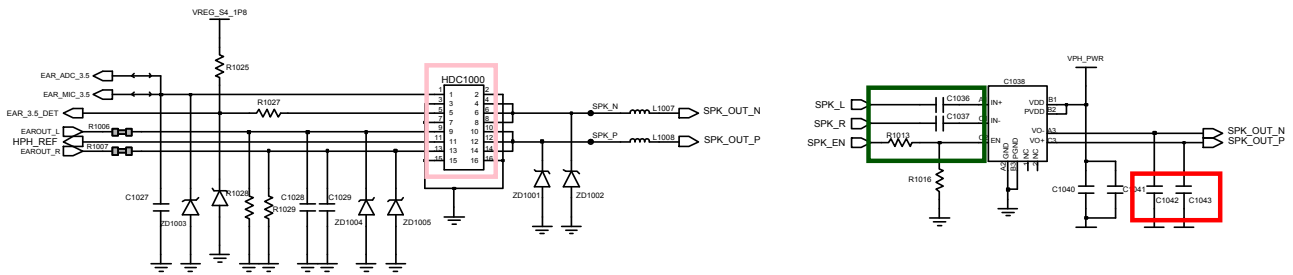
8-3-5. Microphone Part - Earphone MIC



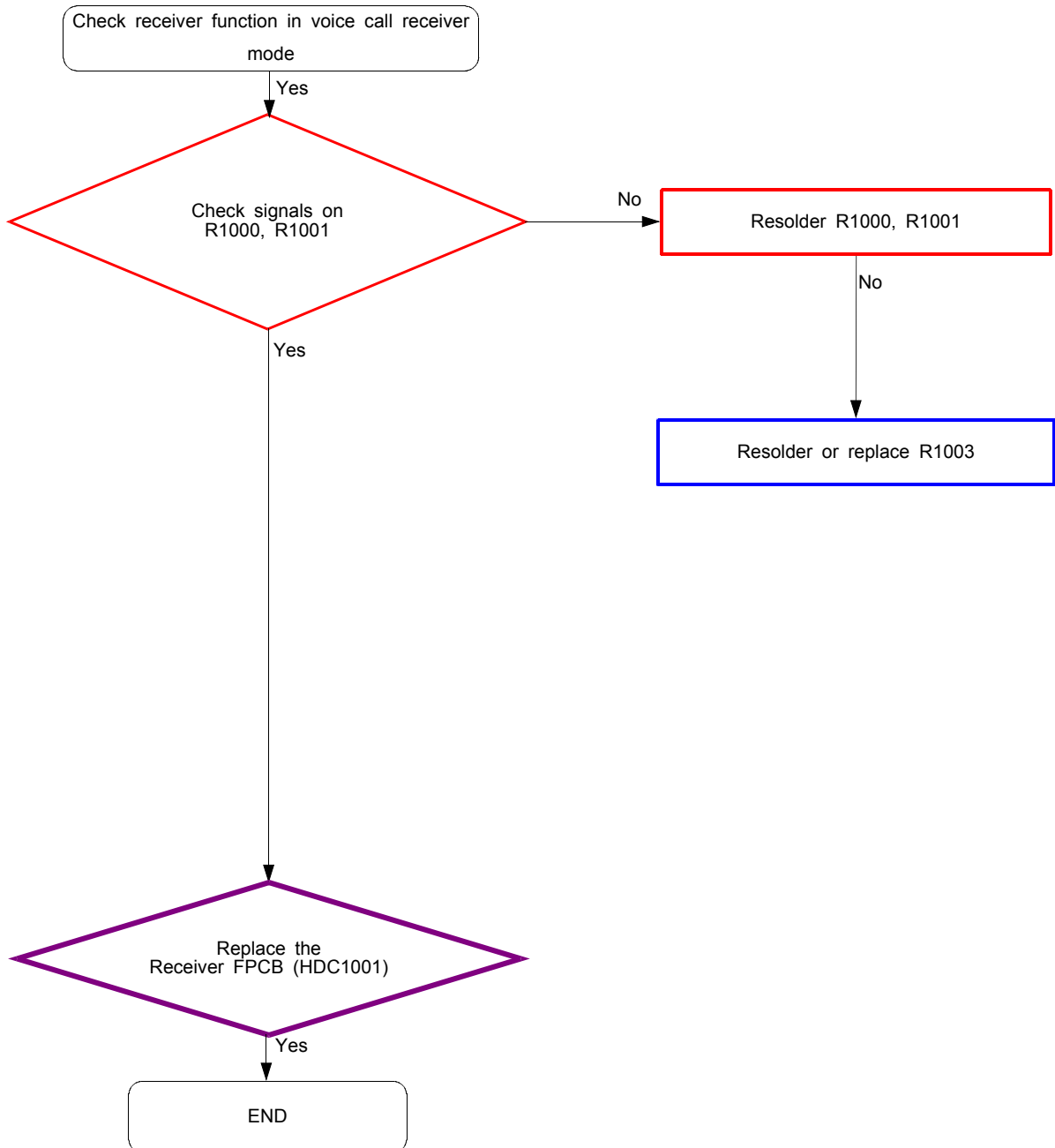


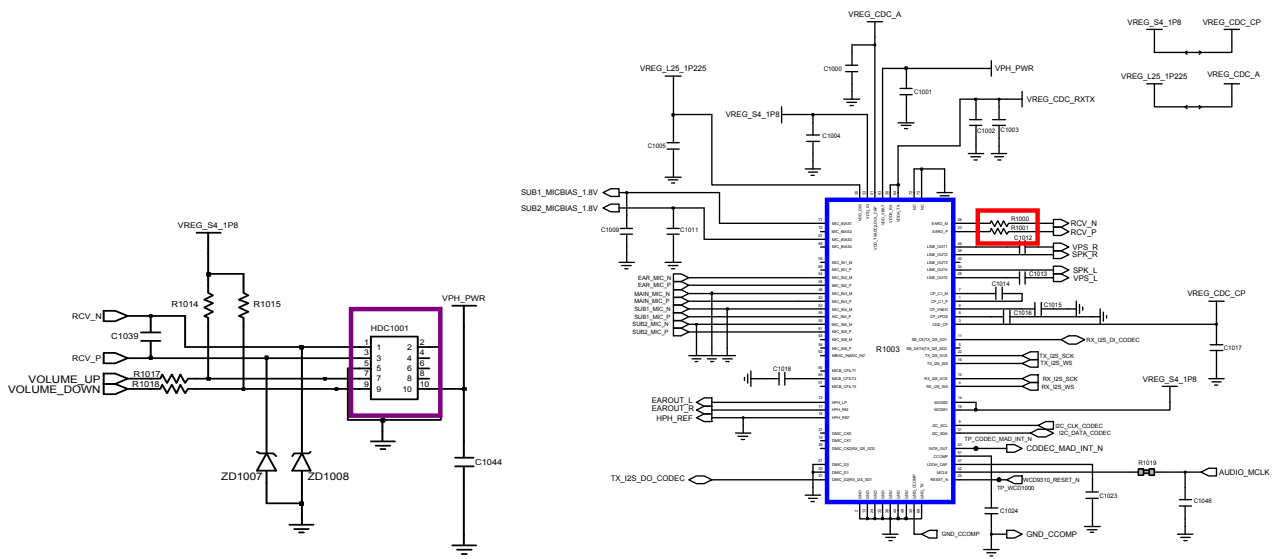
8-3-6.SPEAKER



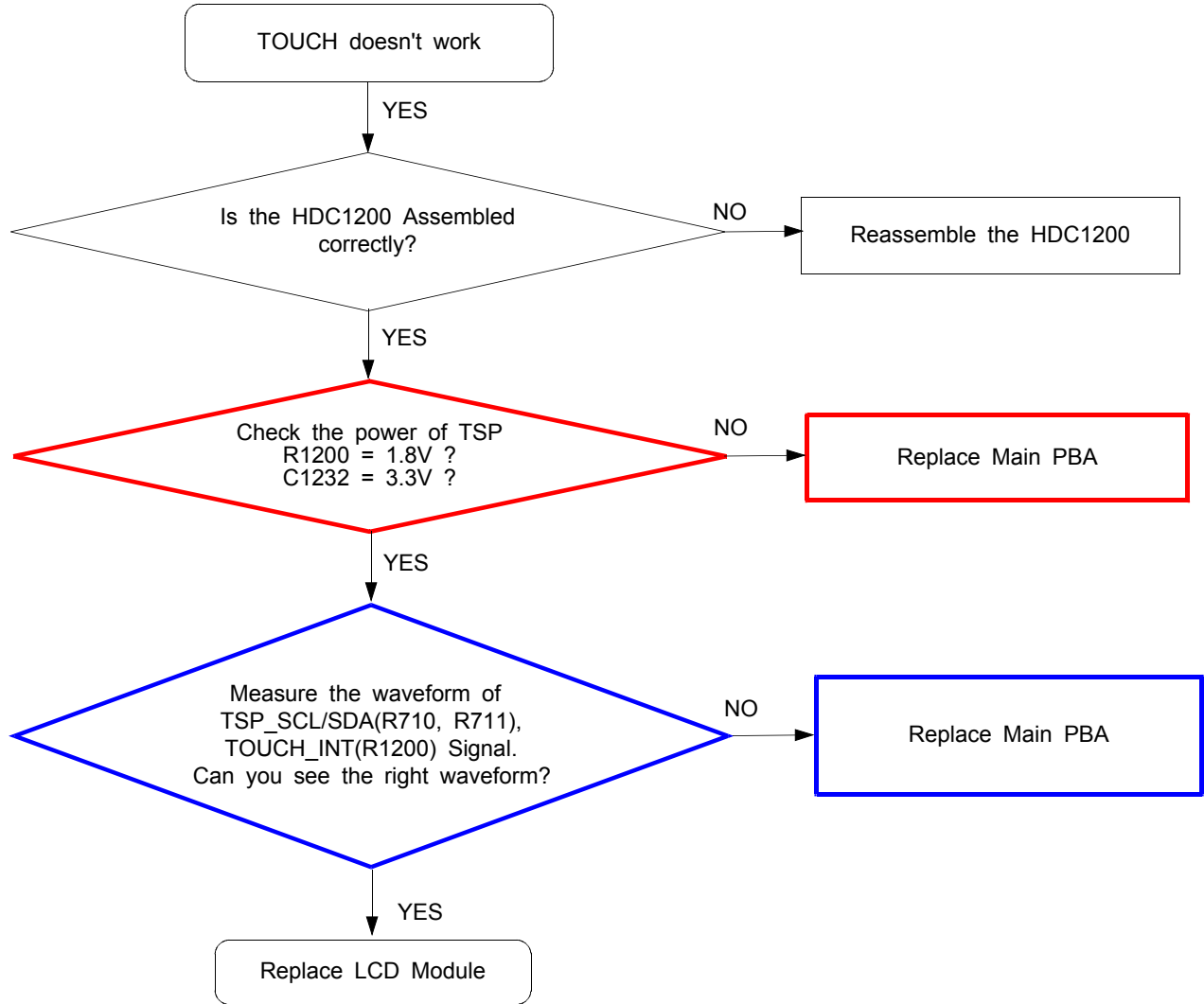


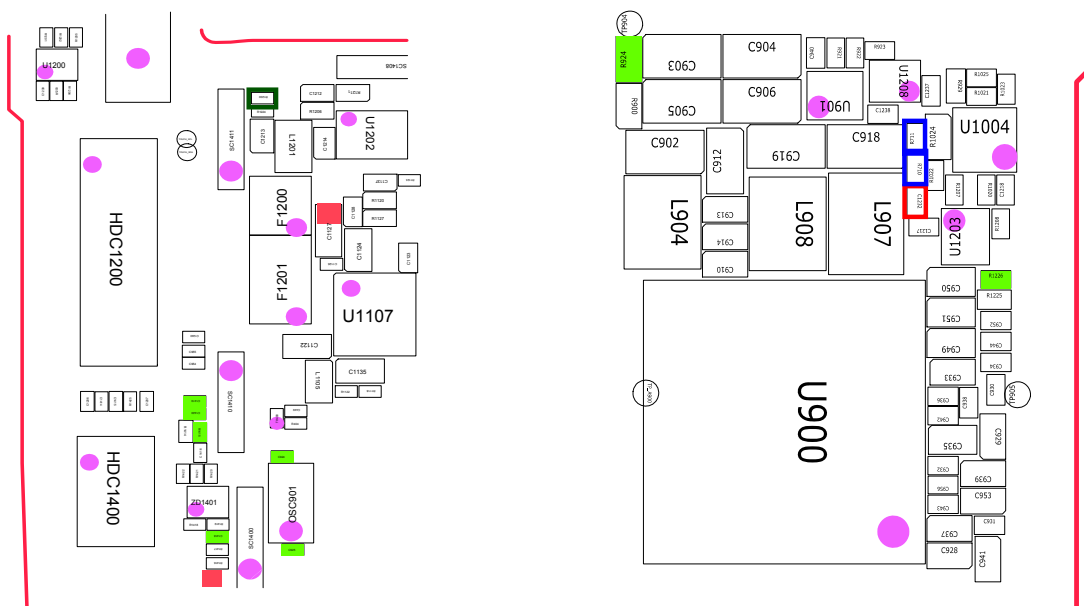
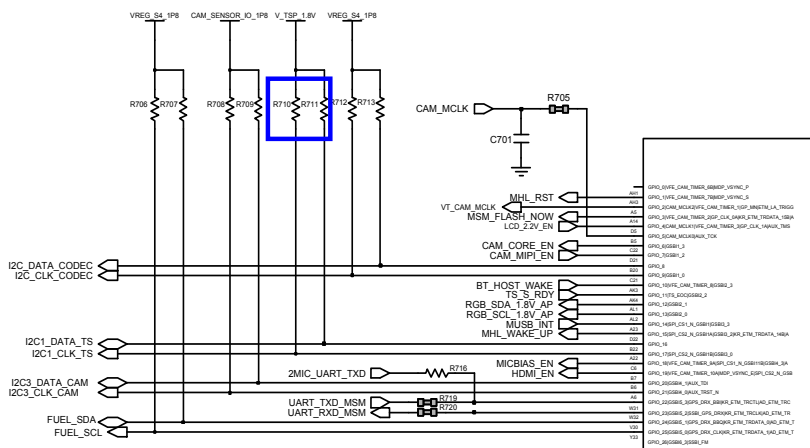
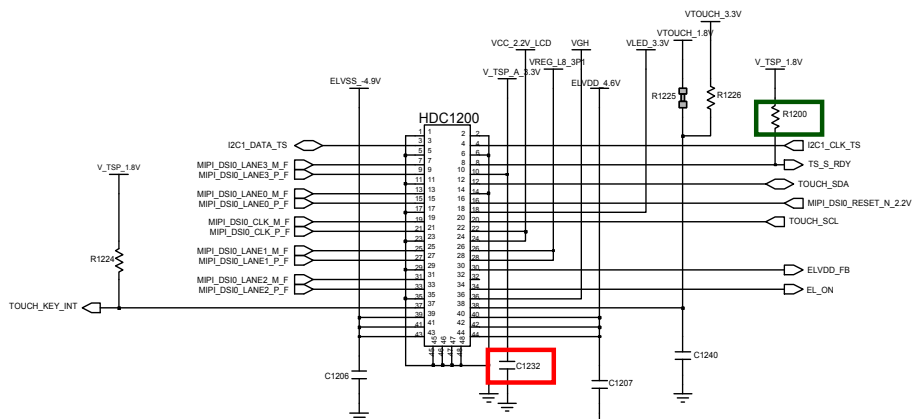
8-3-7.RECEIVER



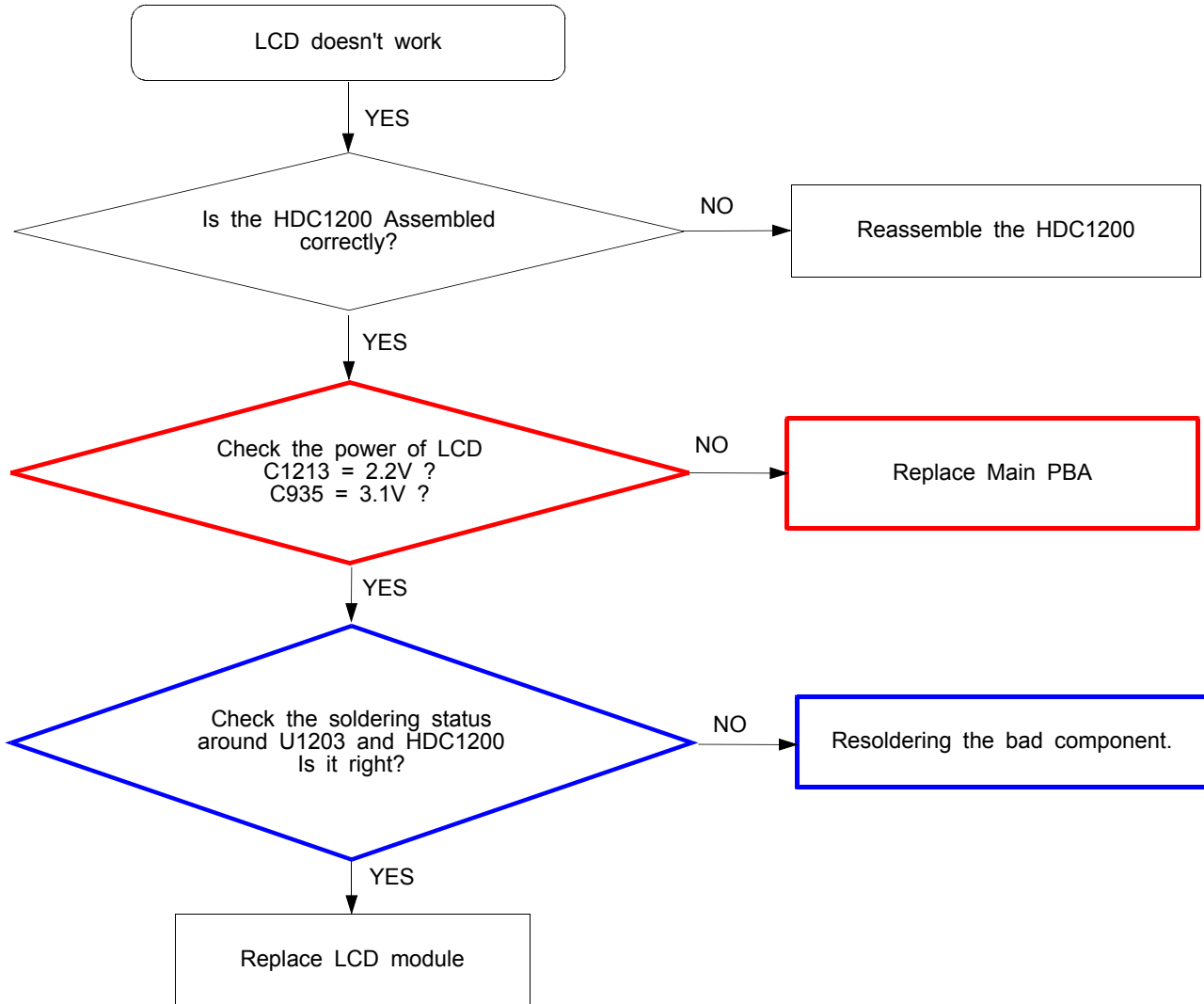


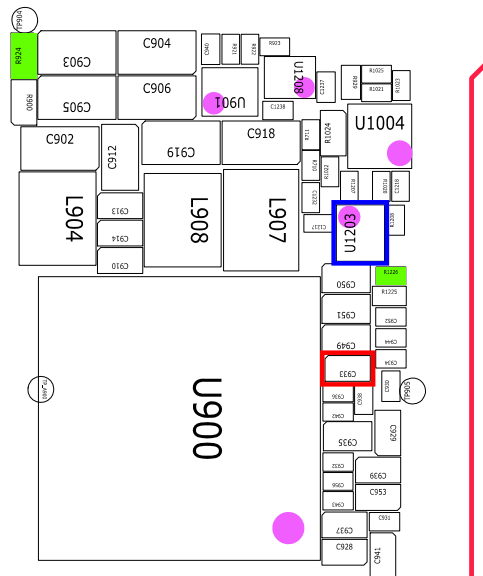
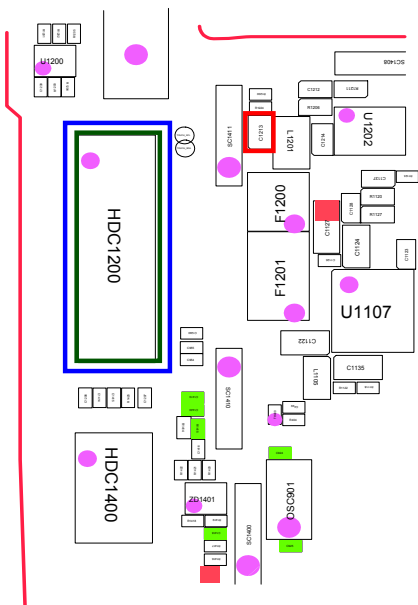
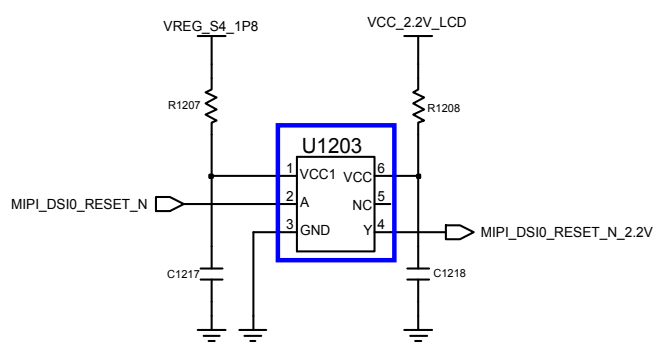
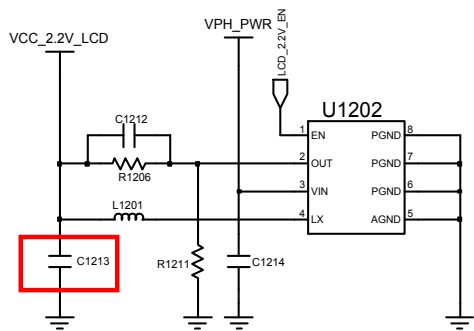
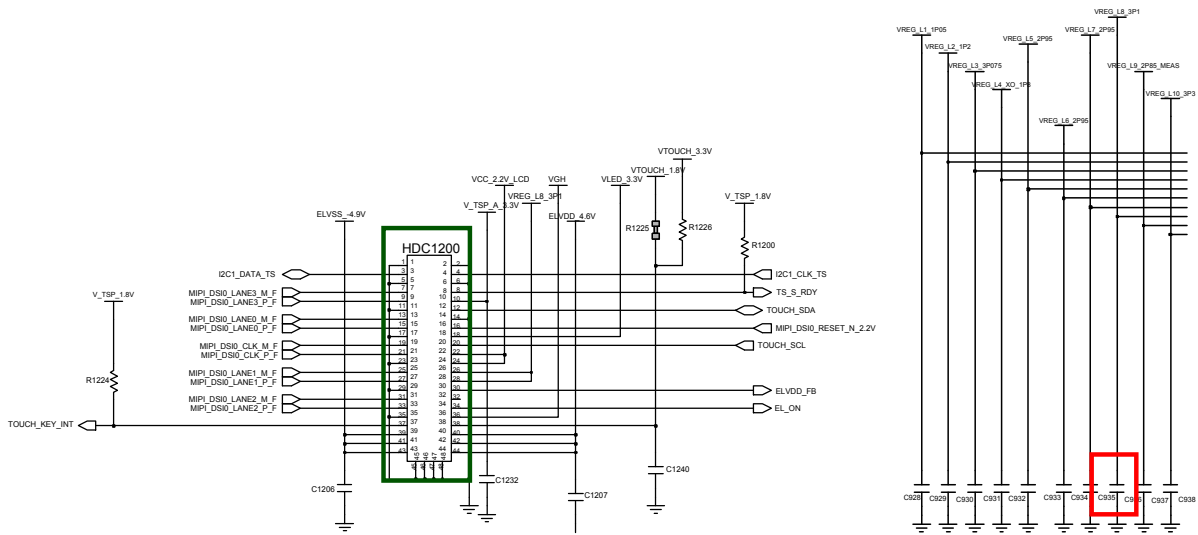
8-3-8. TSP



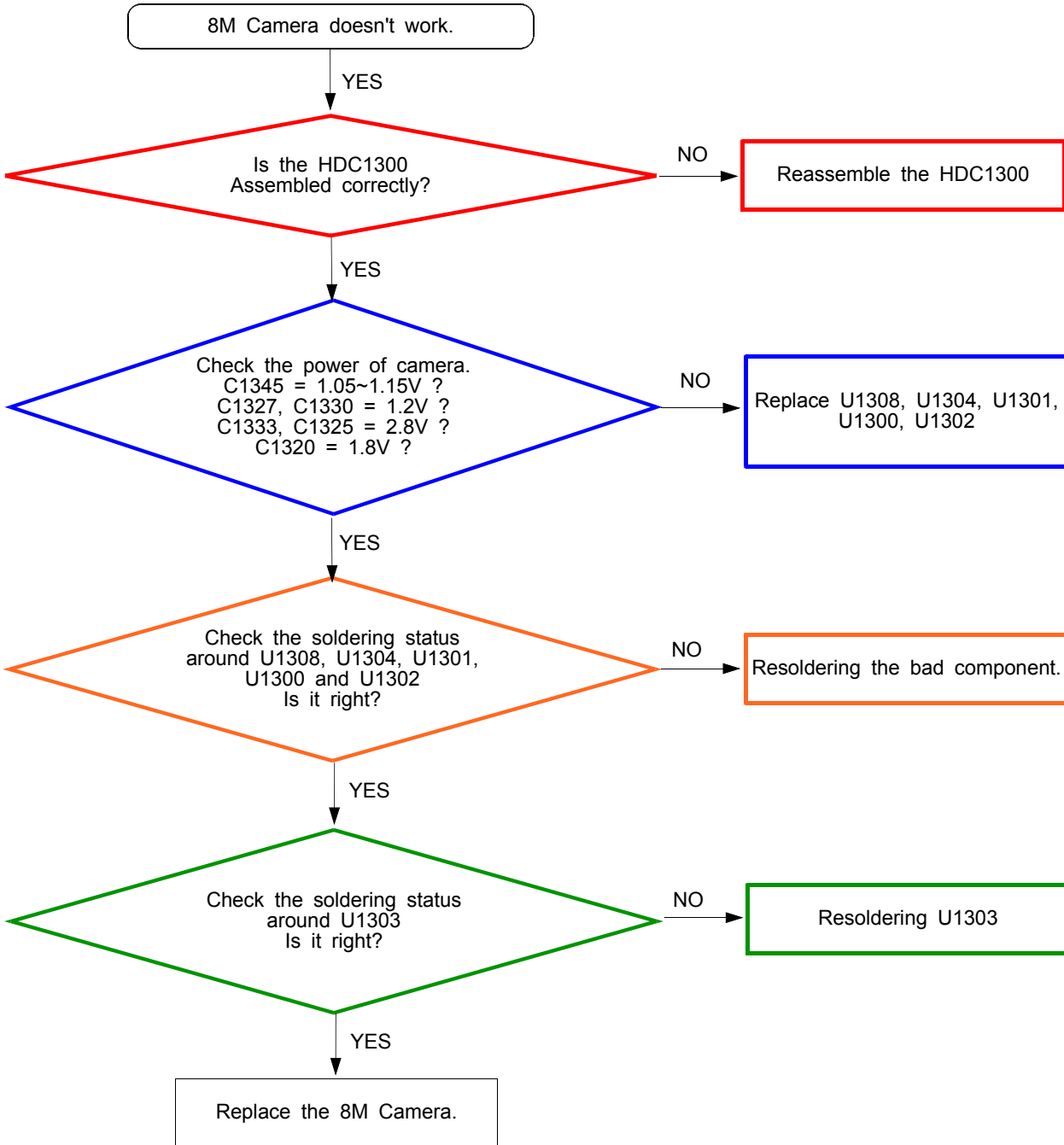


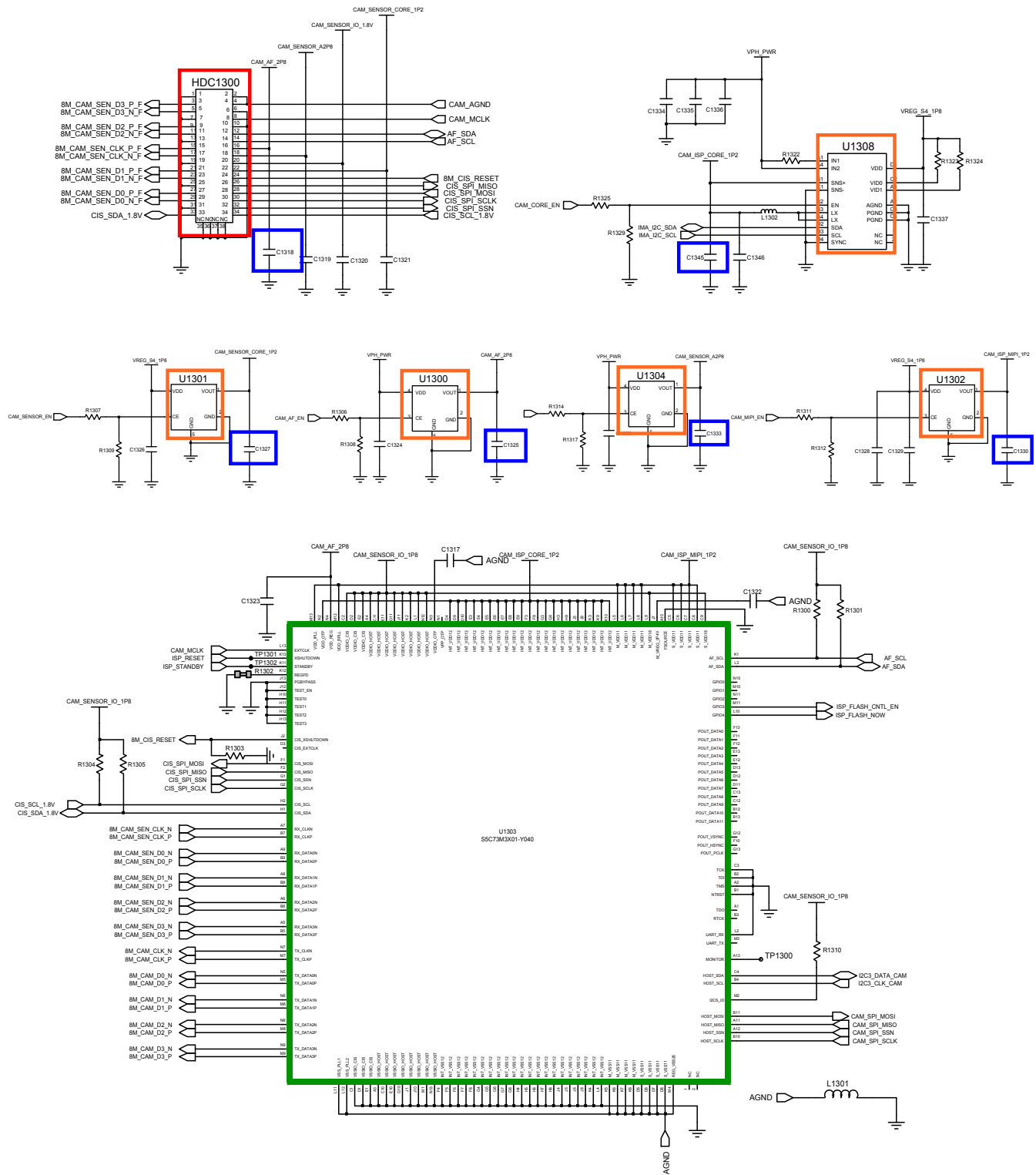
8-3-9. LCD PART

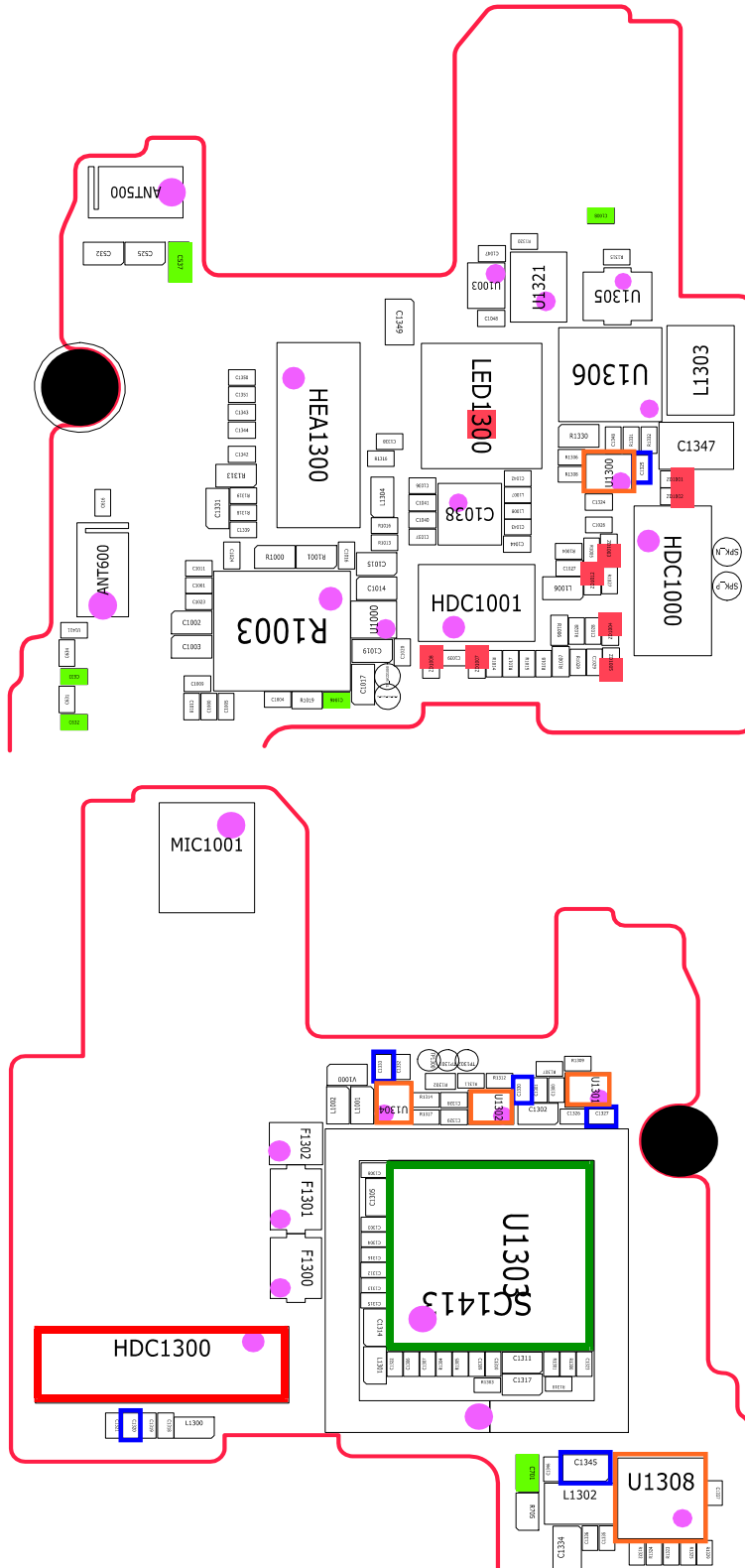




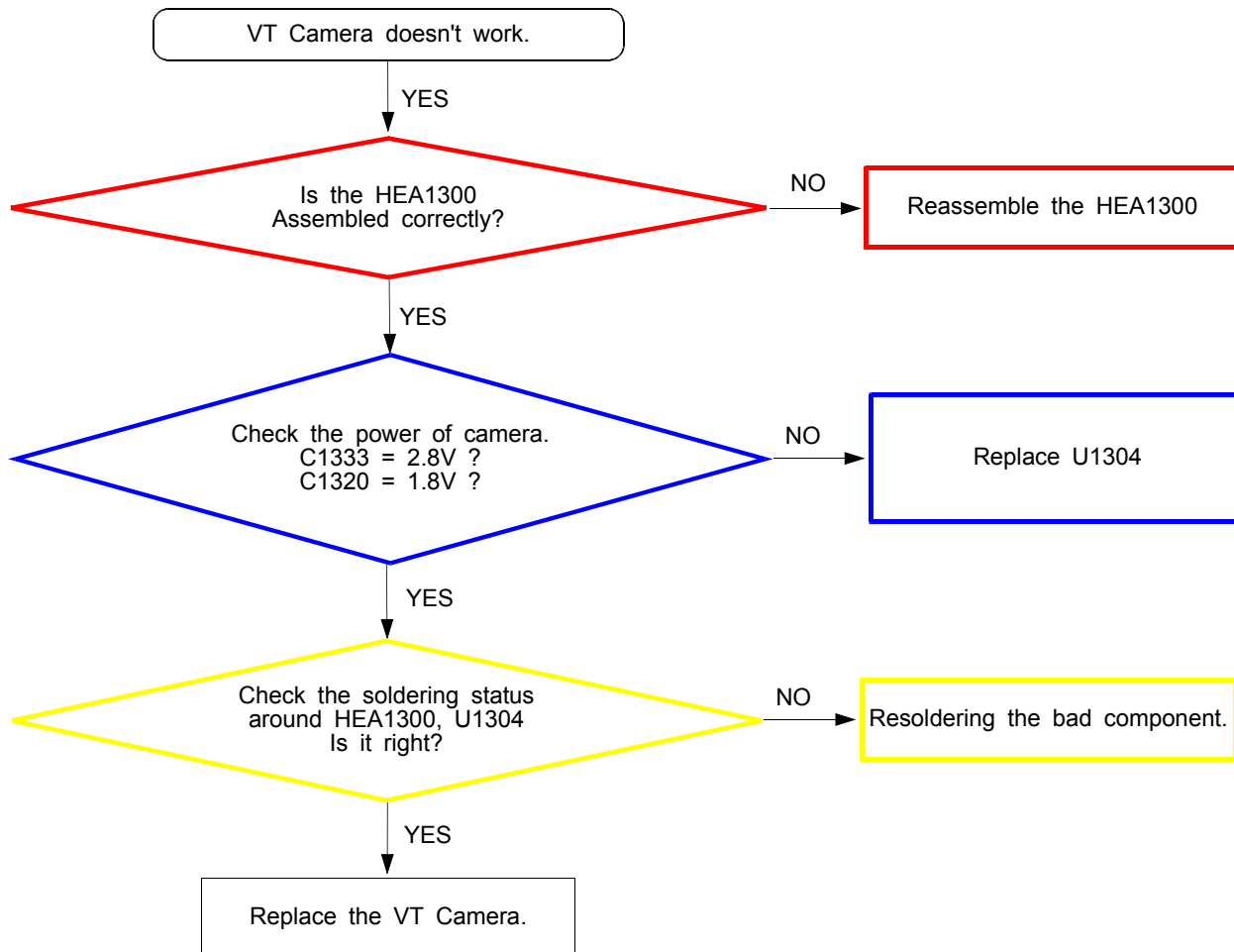
8-3-10. 8M Camera

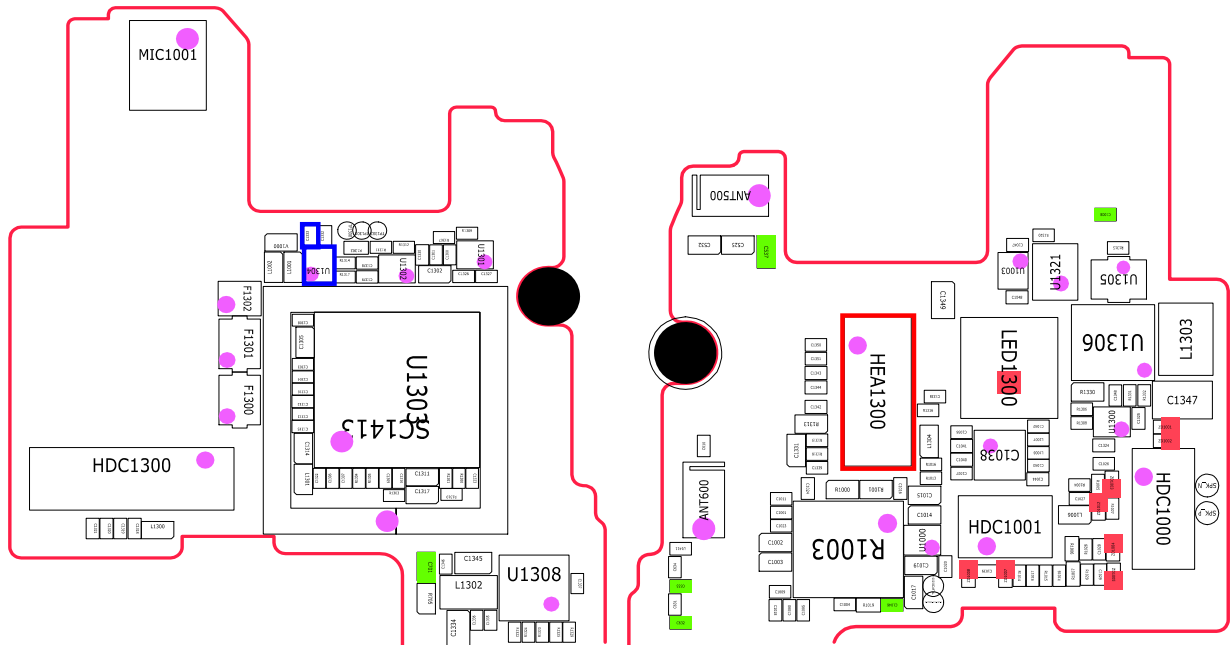
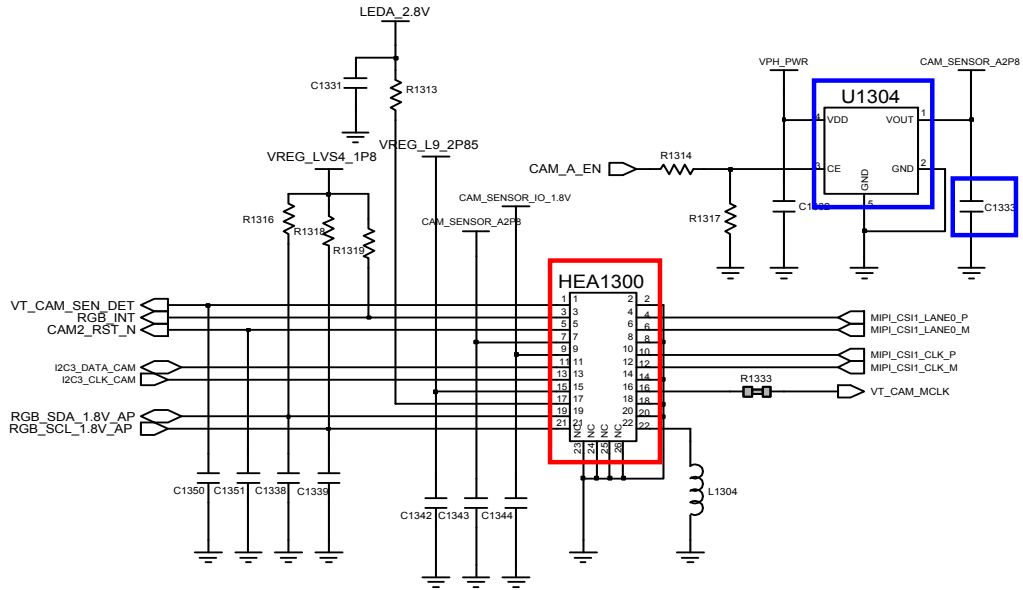




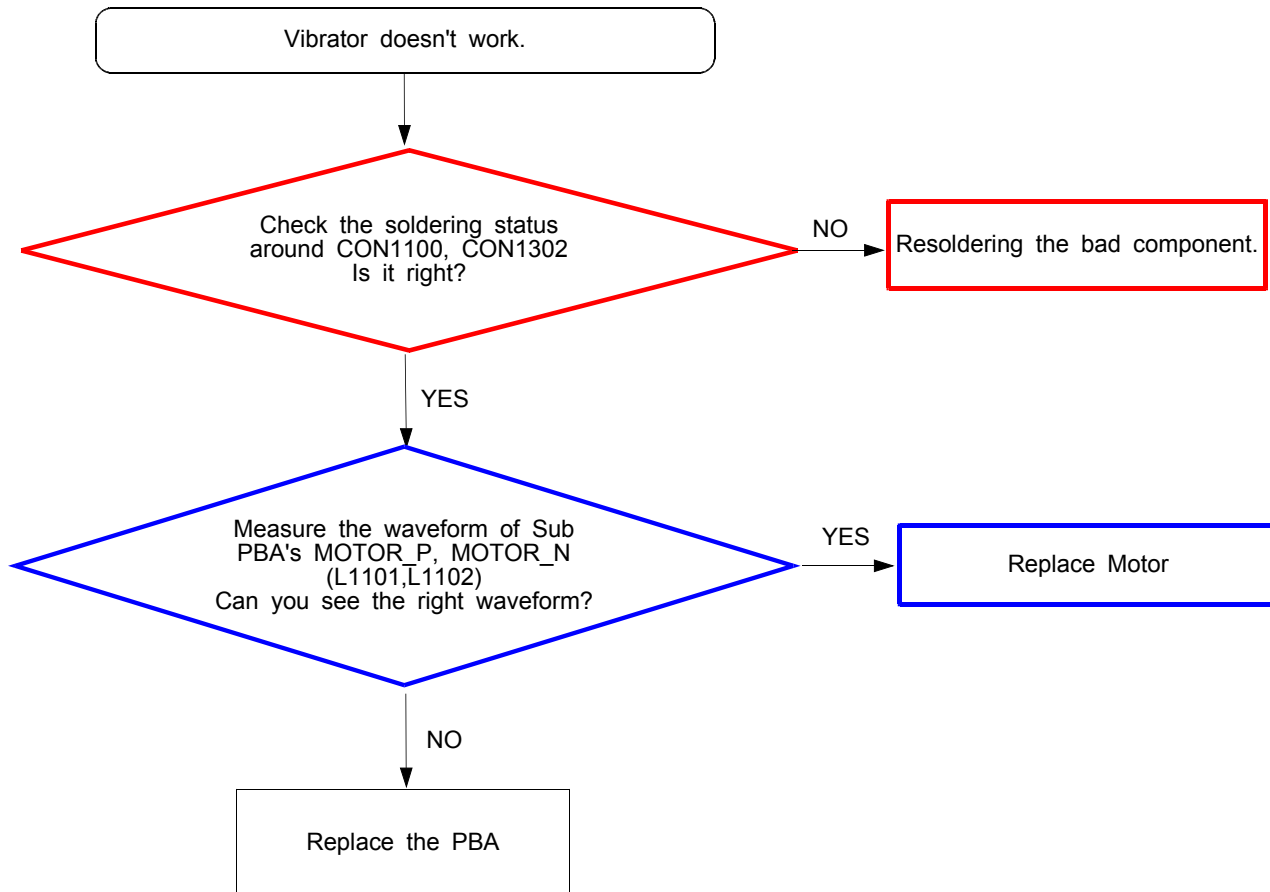


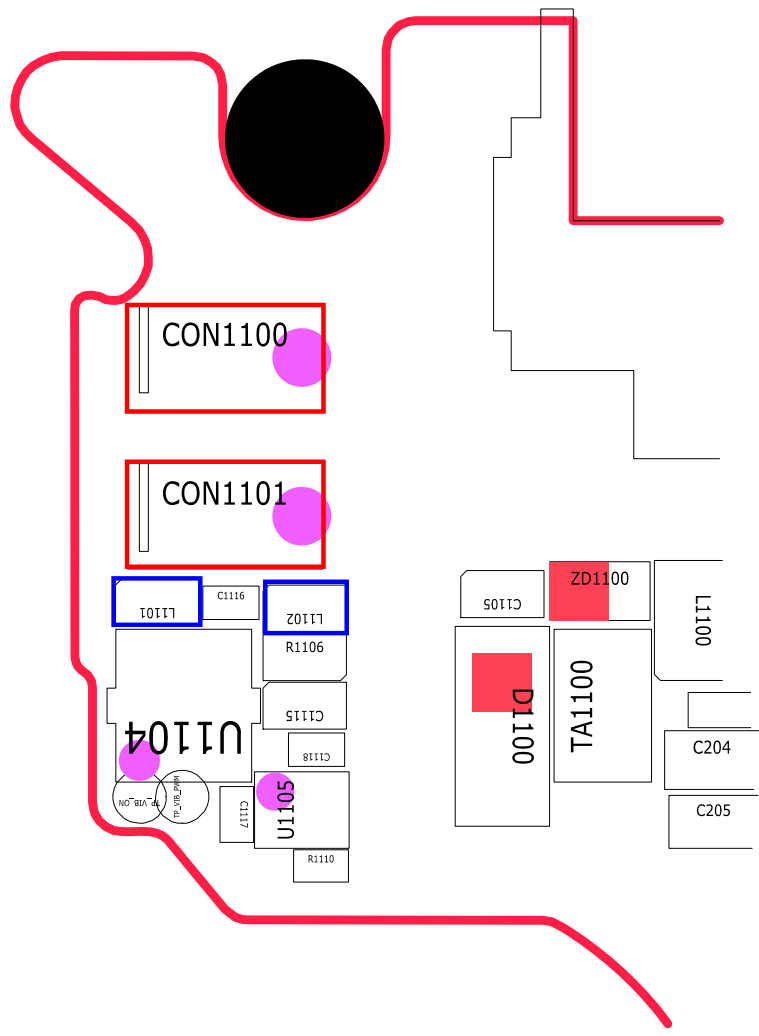
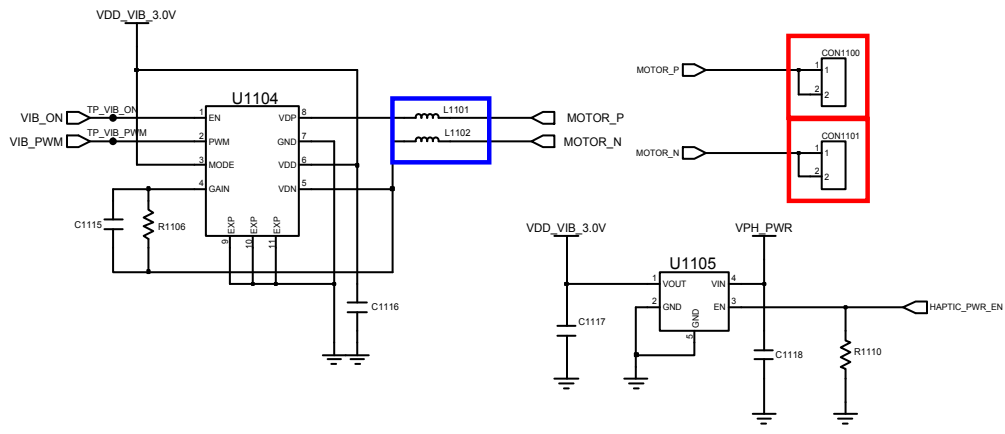
8-3-11. VT Camera





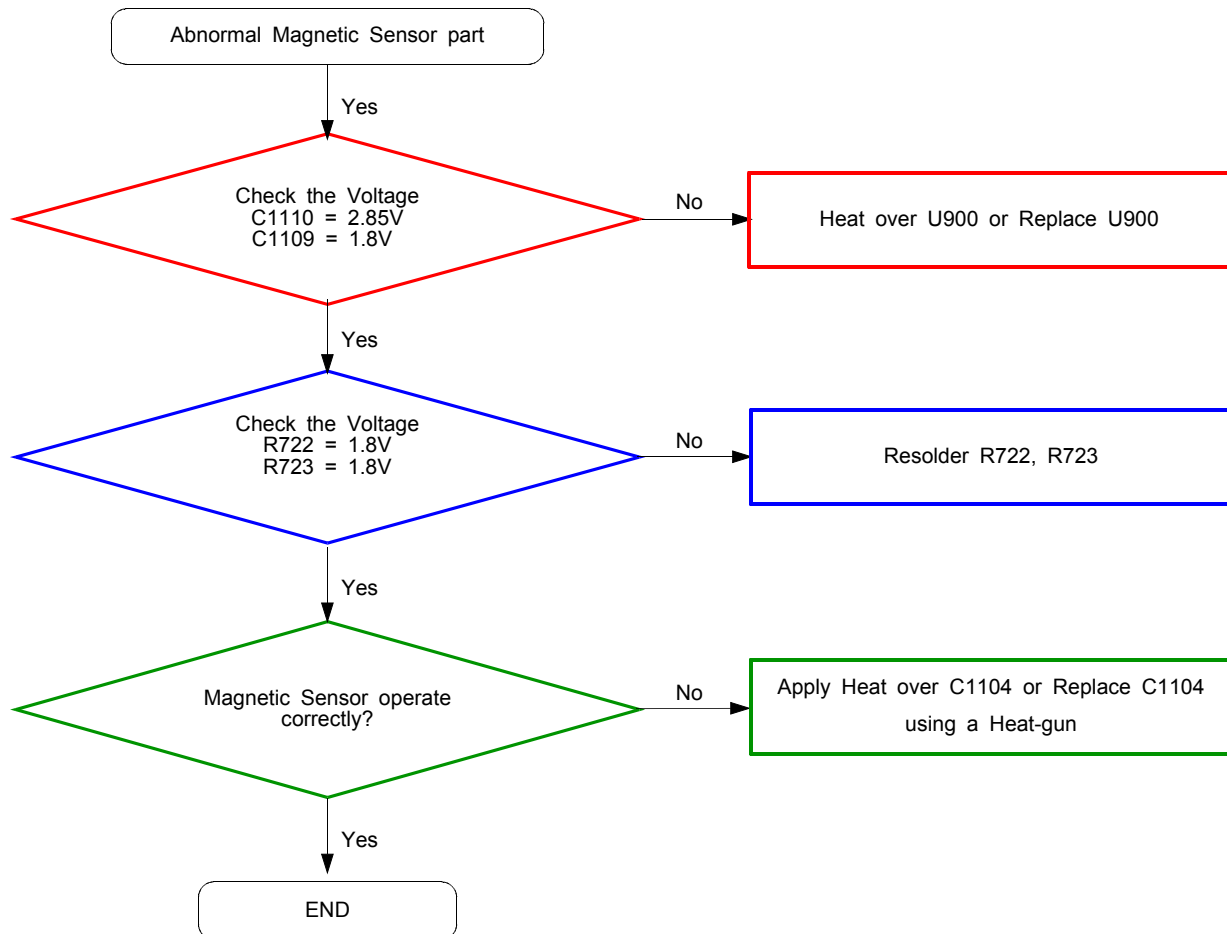
8-3-12.Vibration Motor

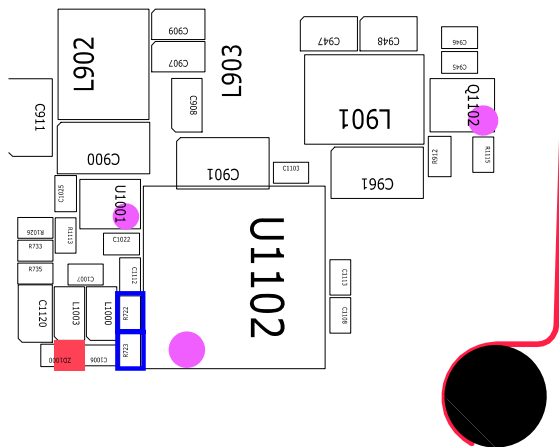
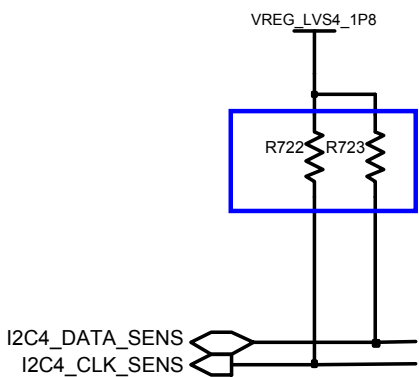
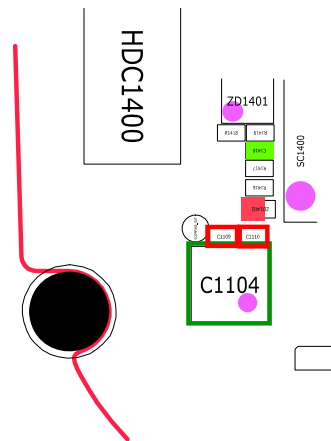
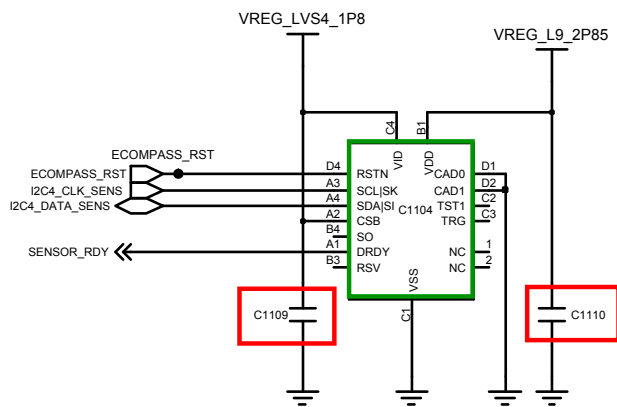




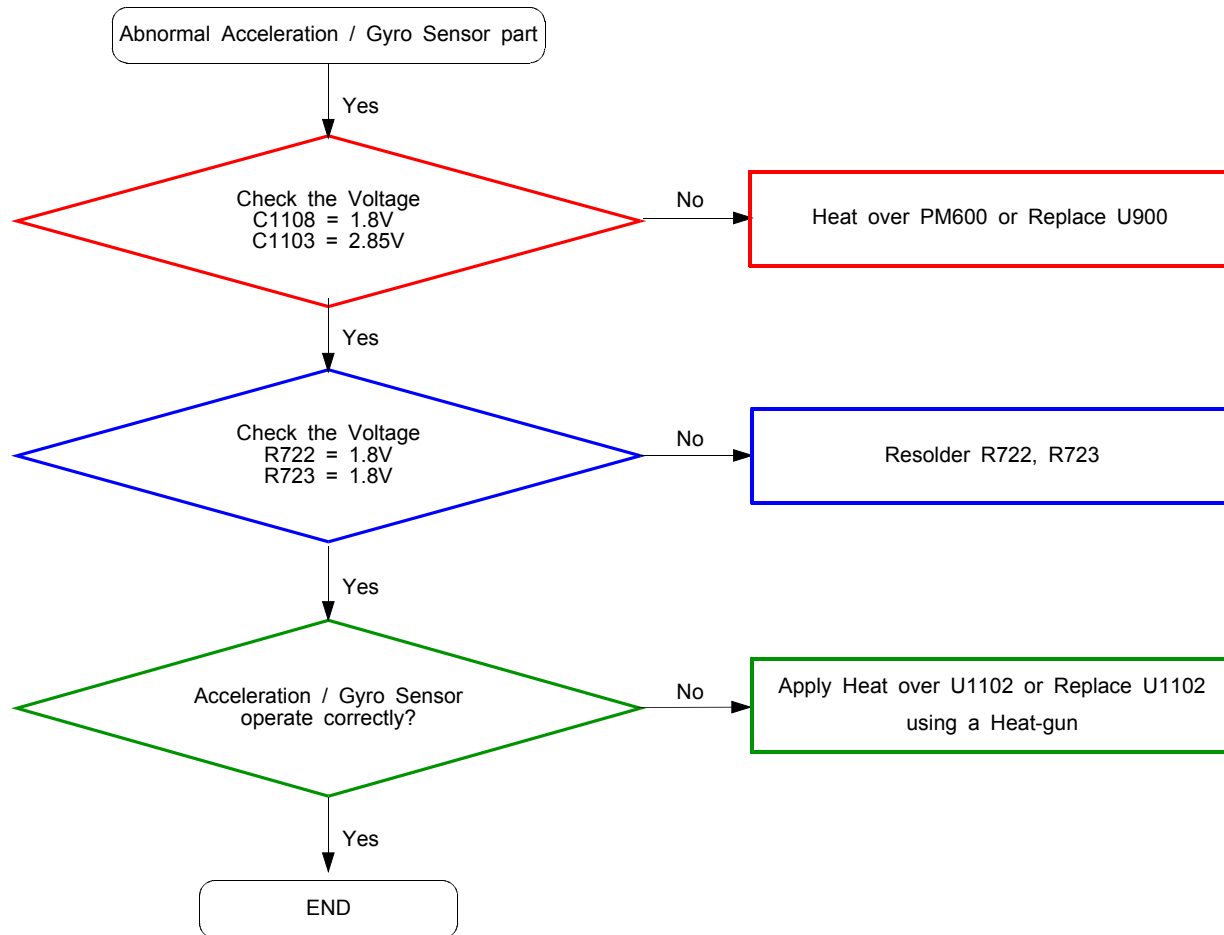
8-3-13.Sensor Part

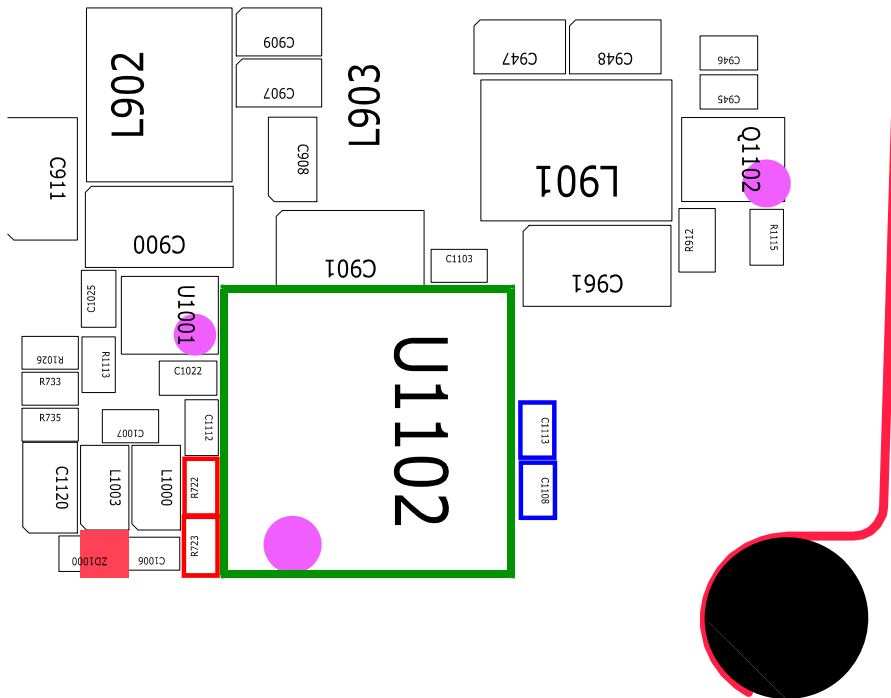
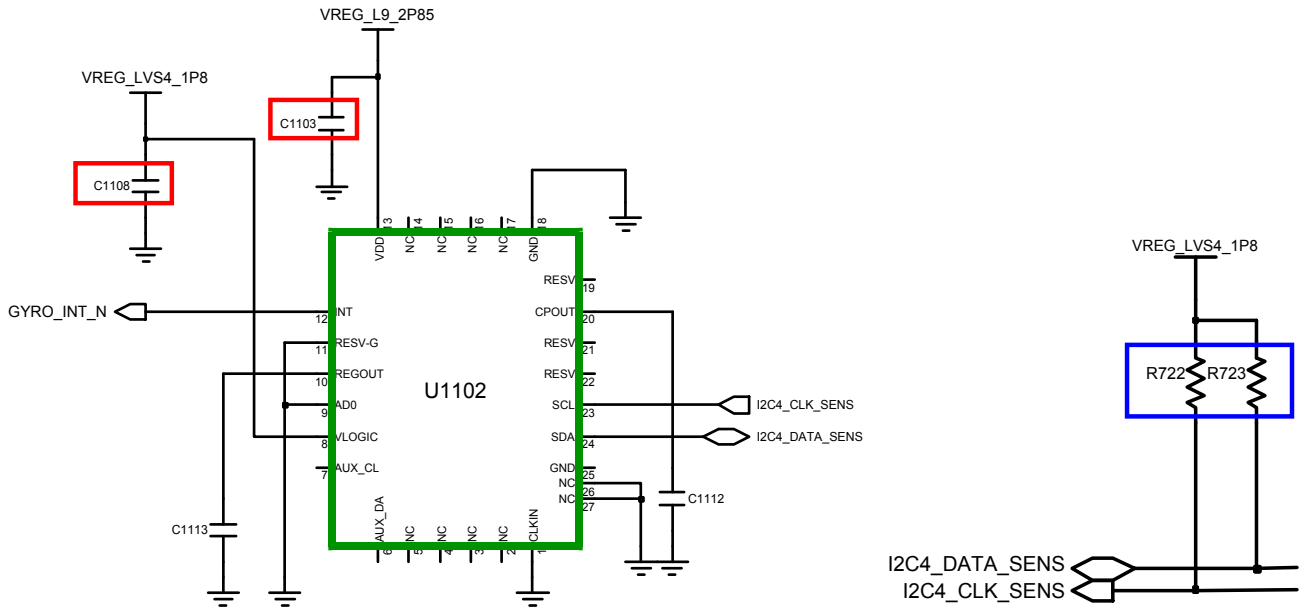
1. Magnetic Sensor



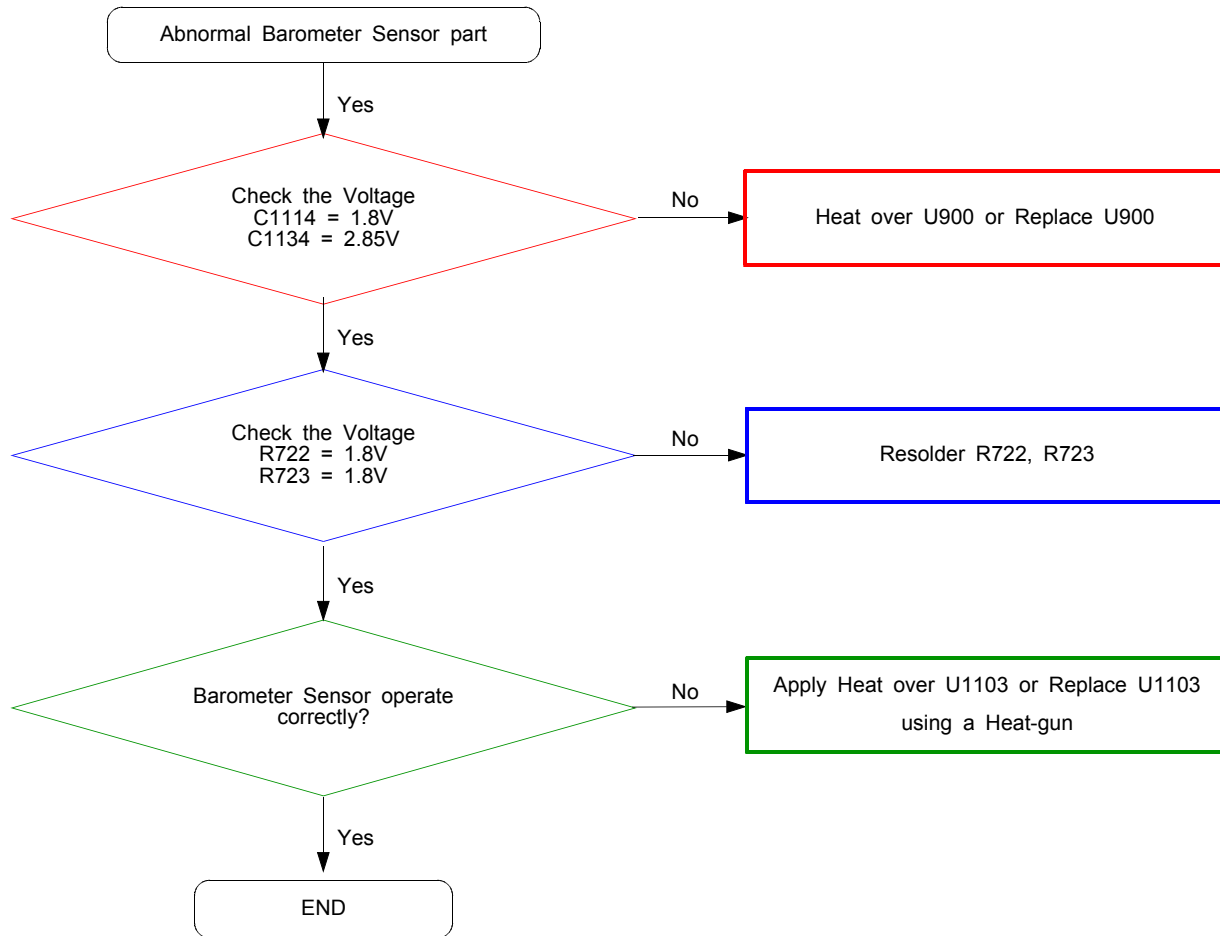


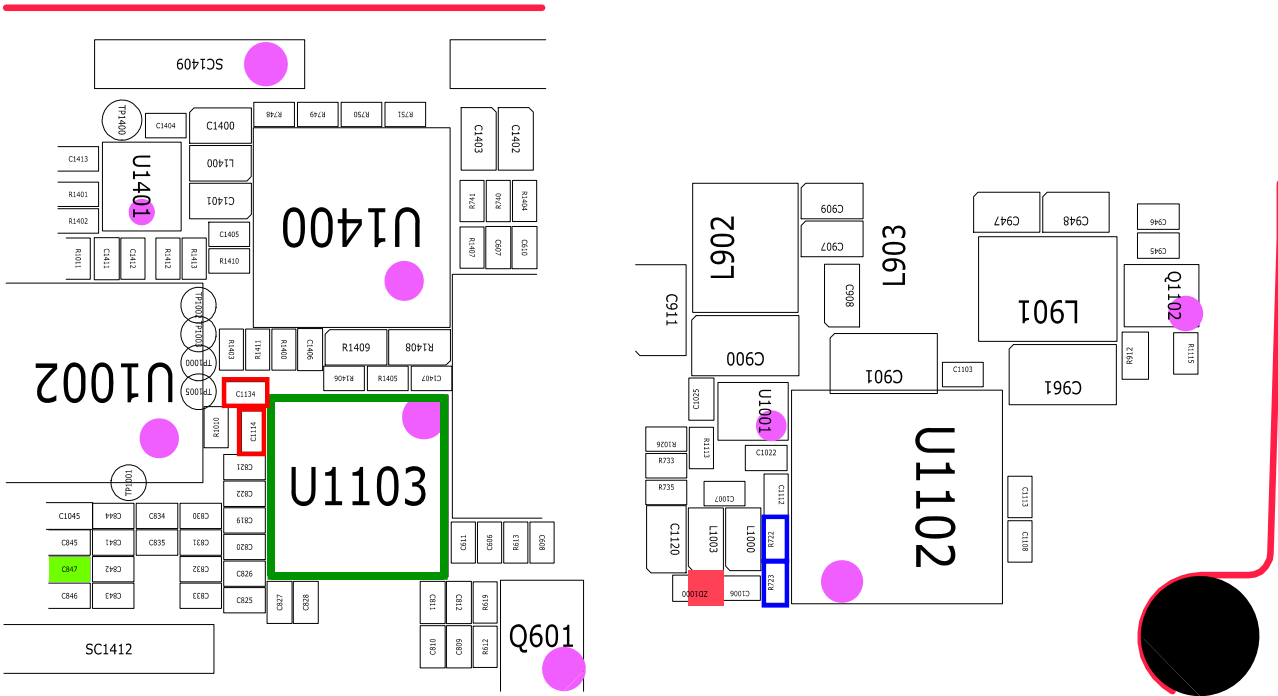
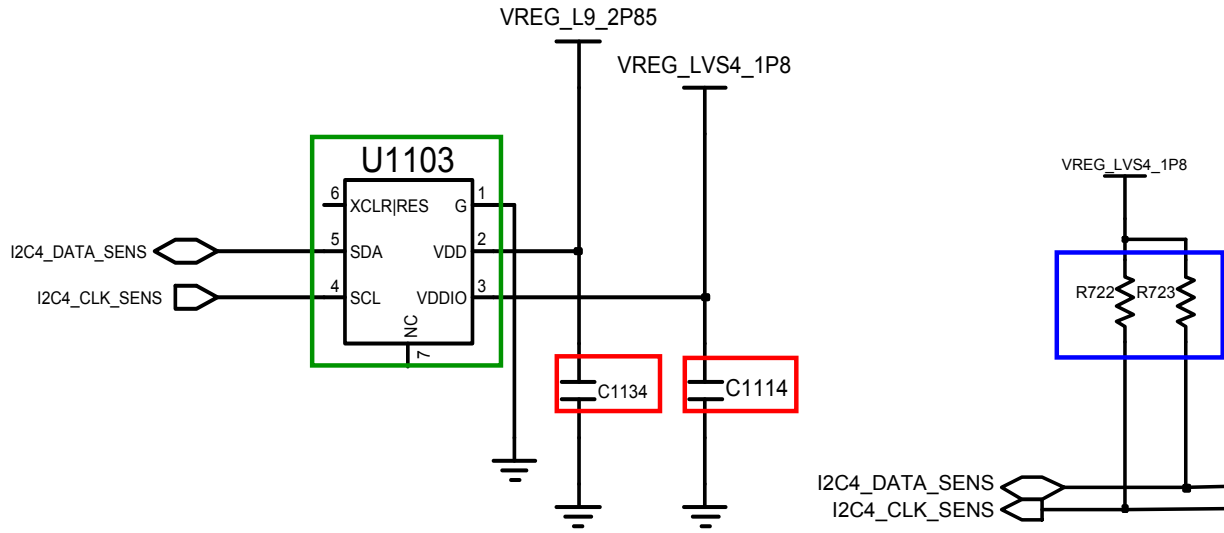
2. Acceleration / Gyro Sensor



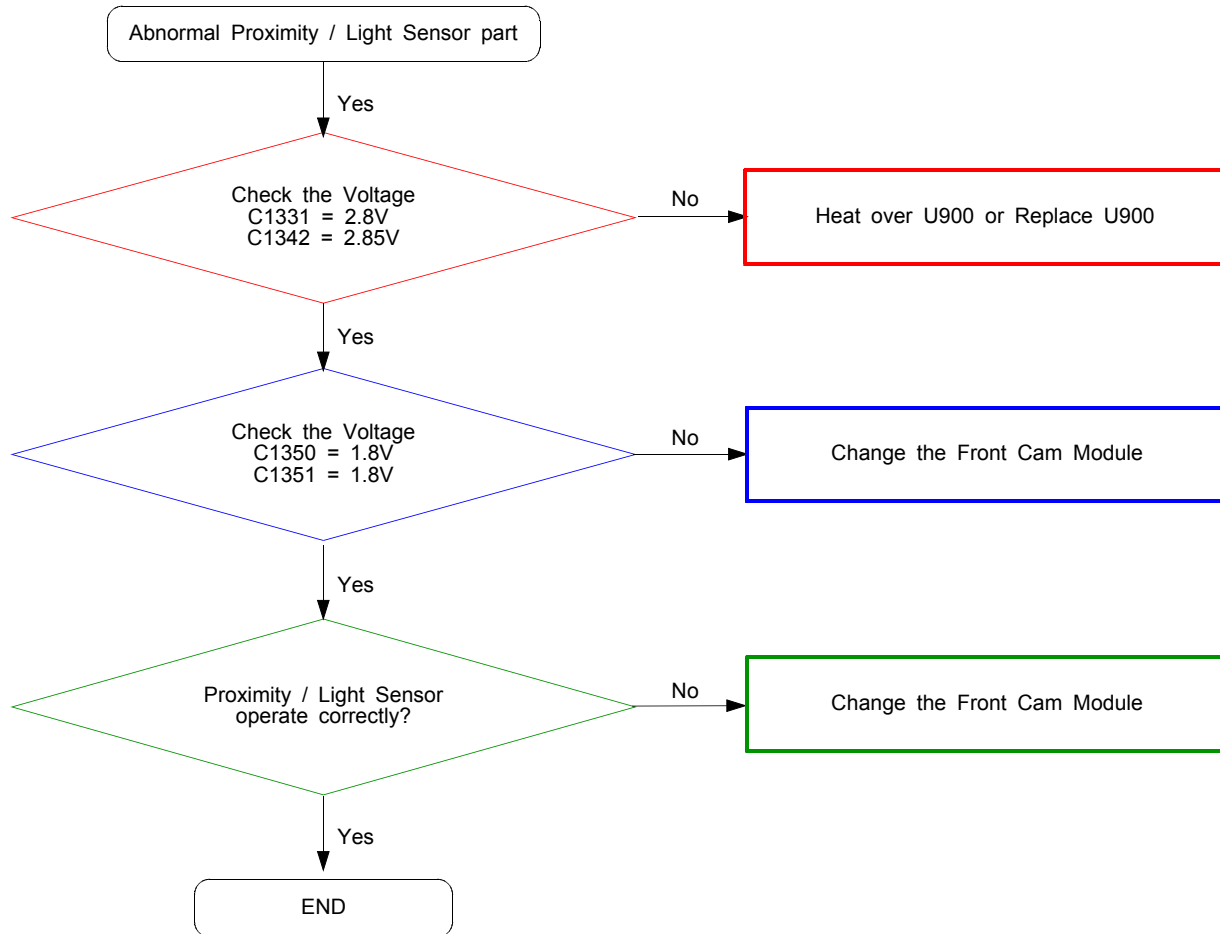


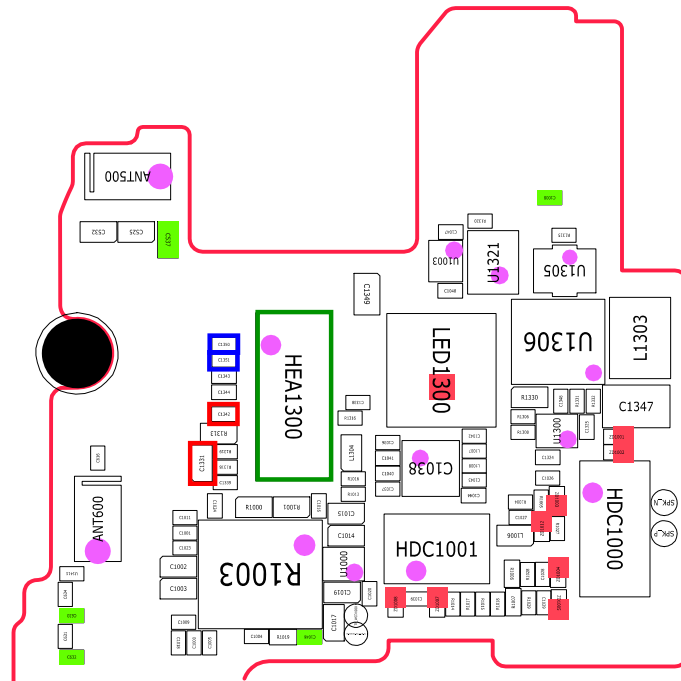
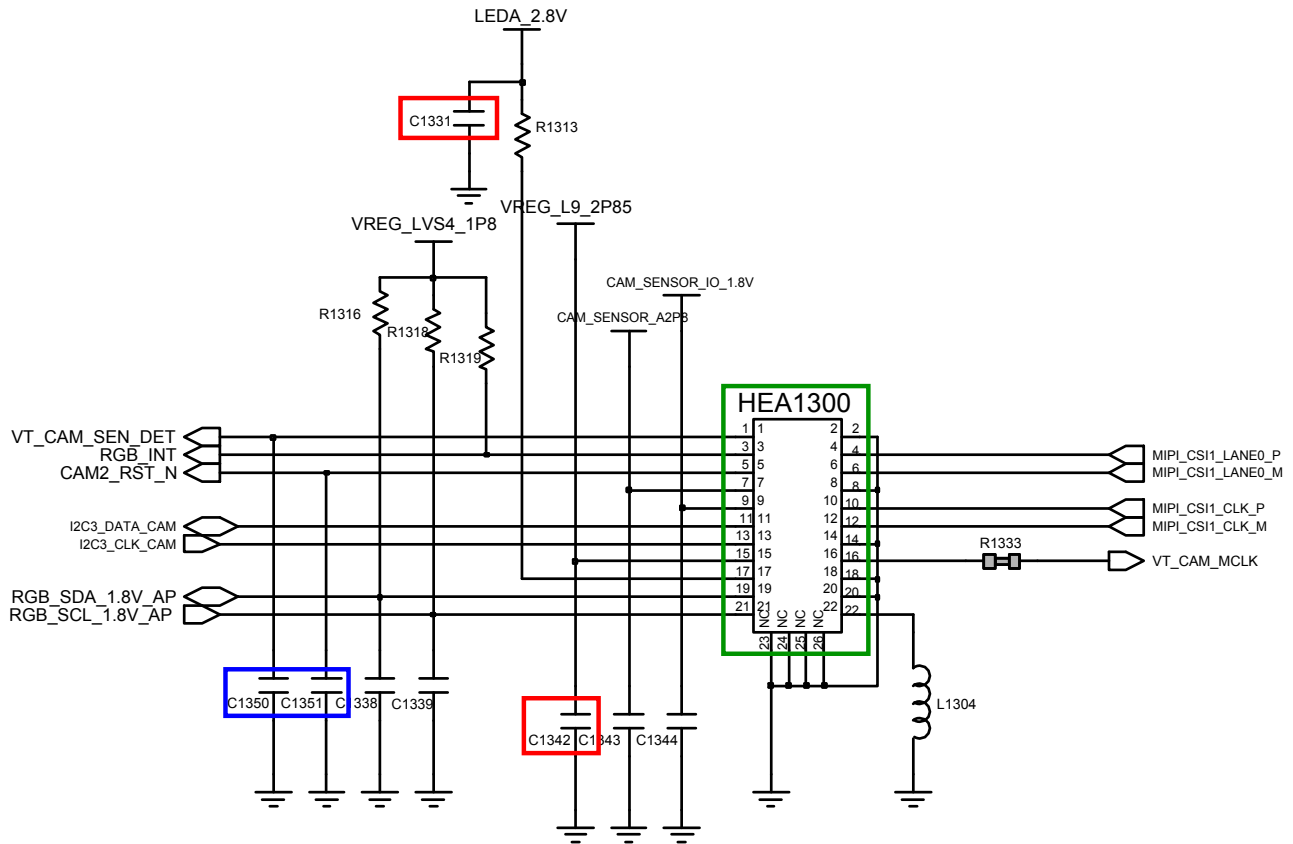
3. Barometer



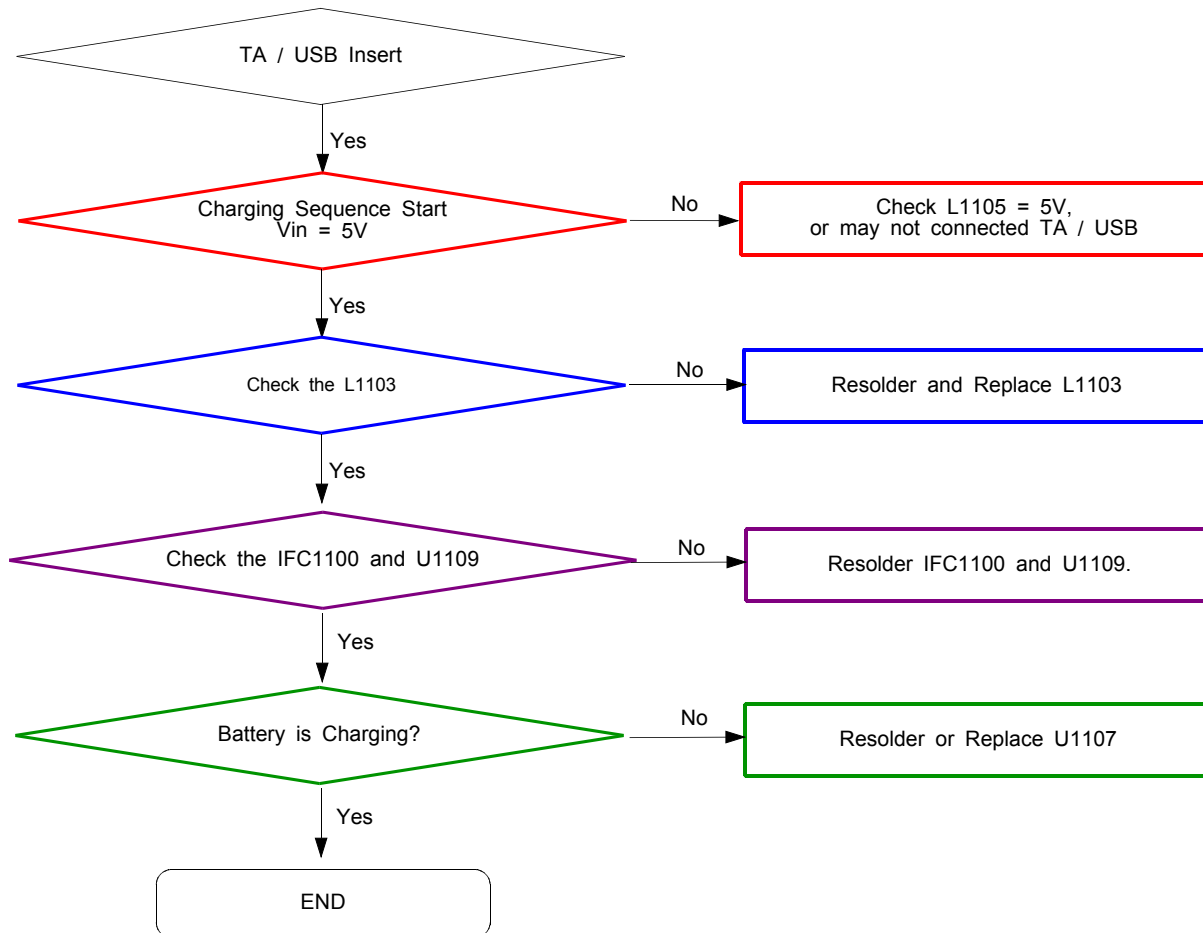


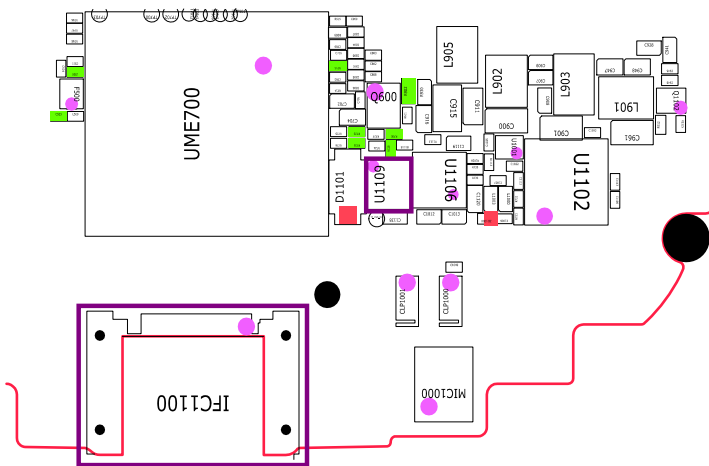
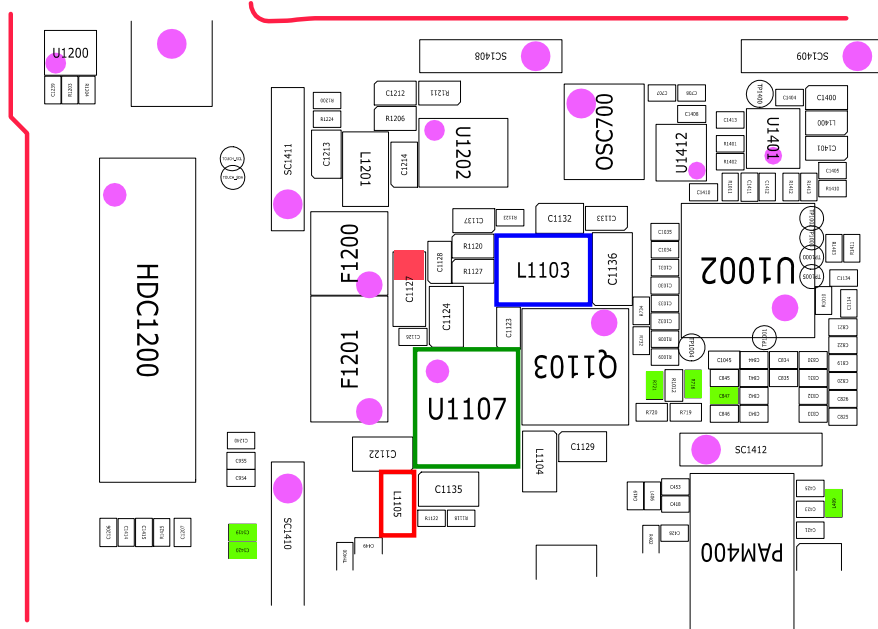
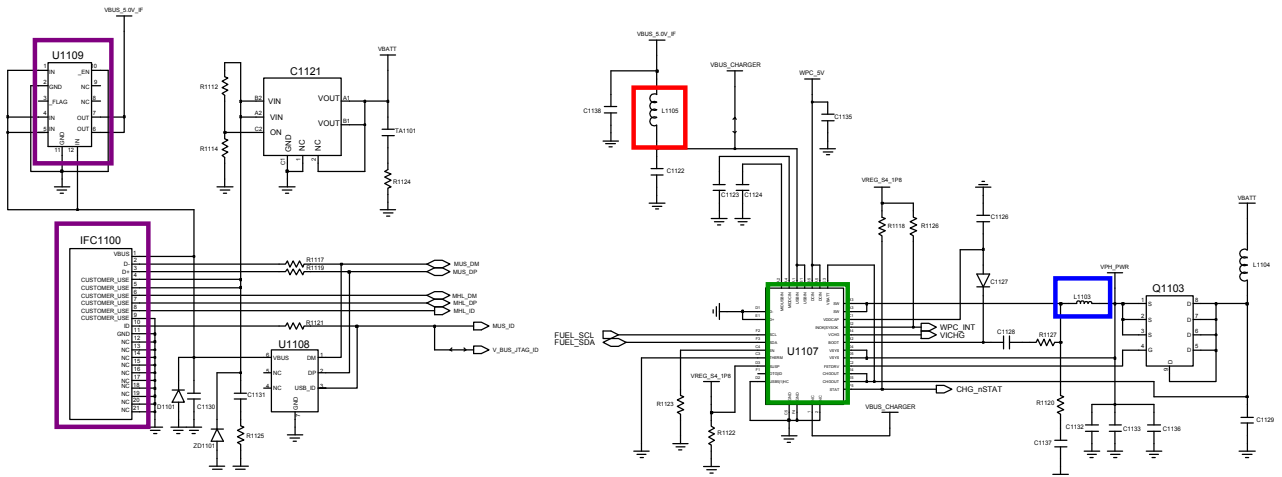
4. Proximity / Light Sensor



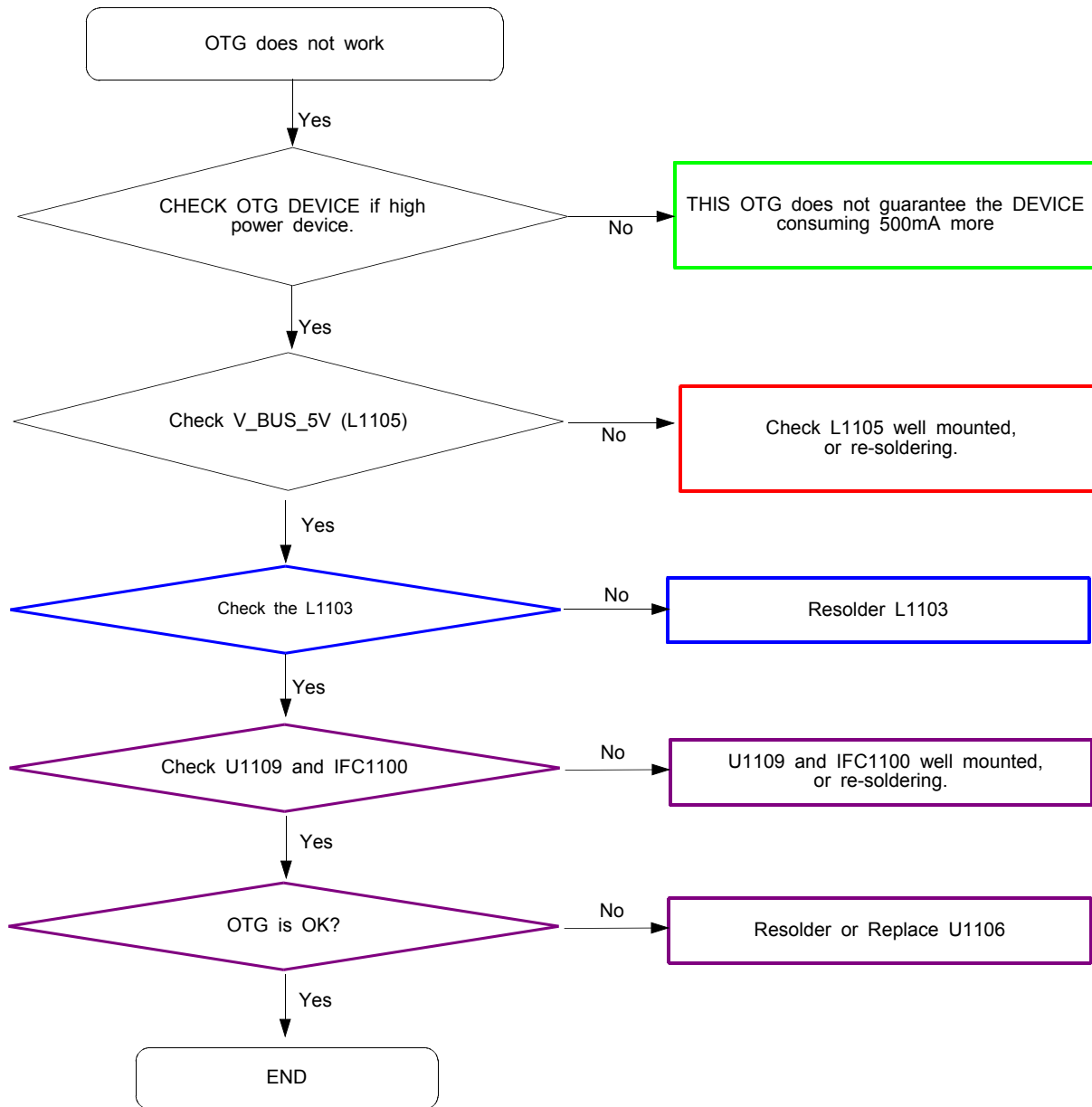


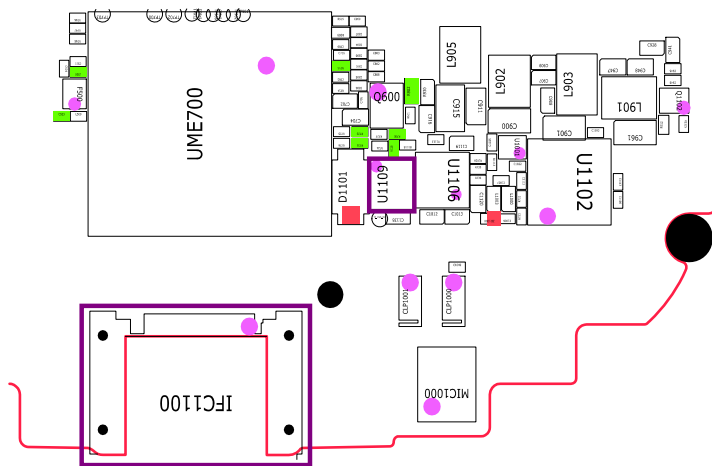
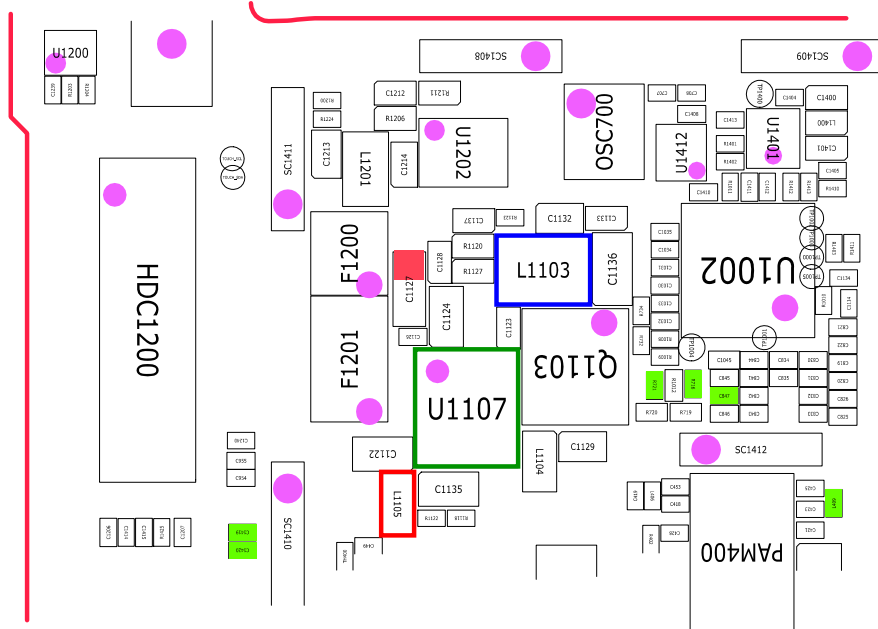
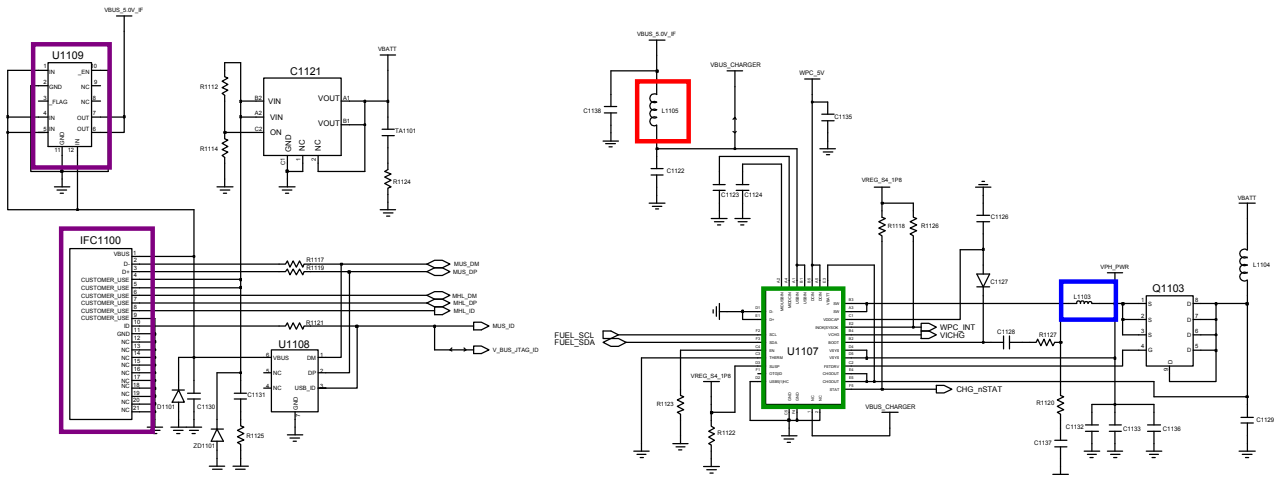
8-3-14. Charging Part





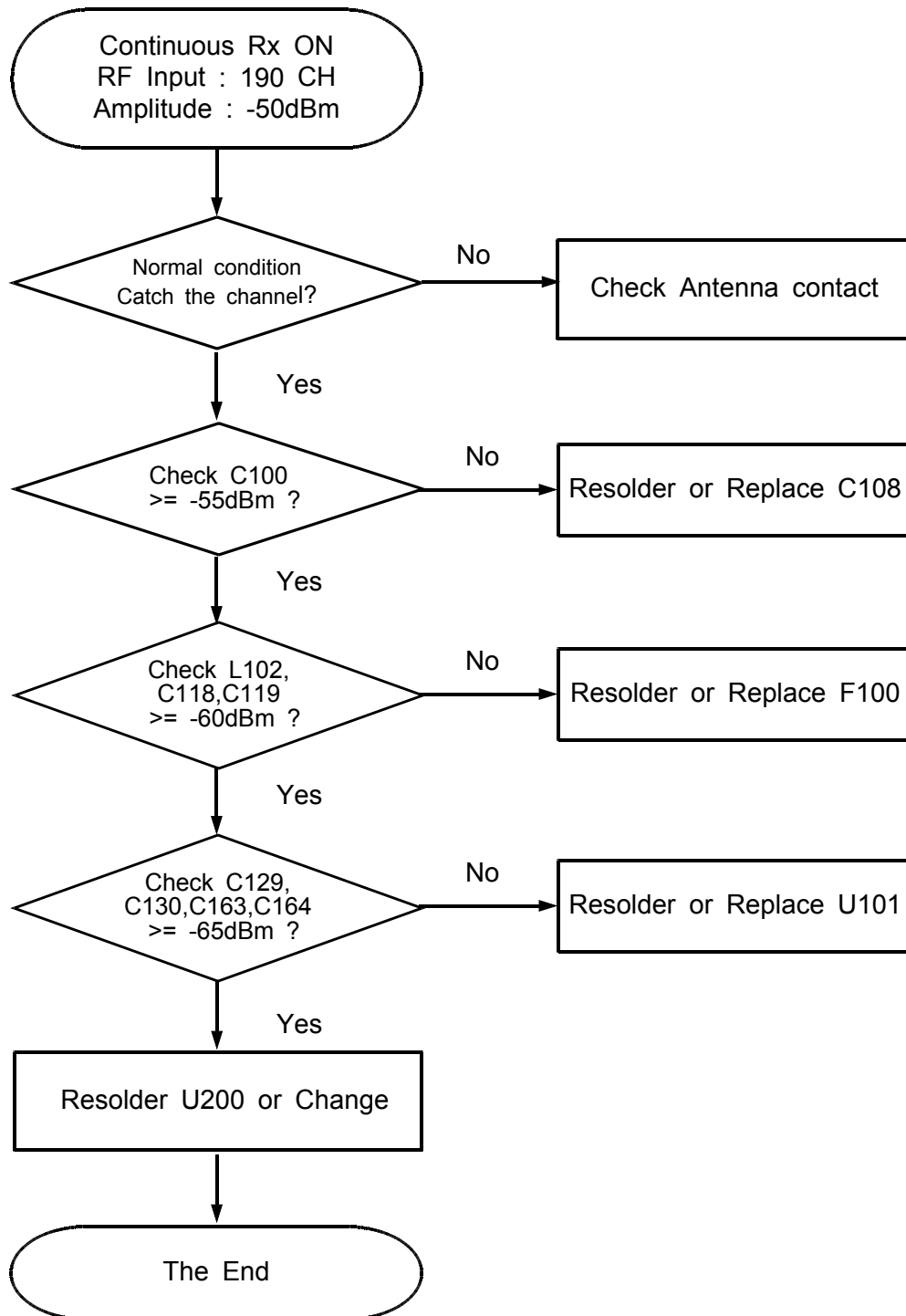
8-3-15. OTG





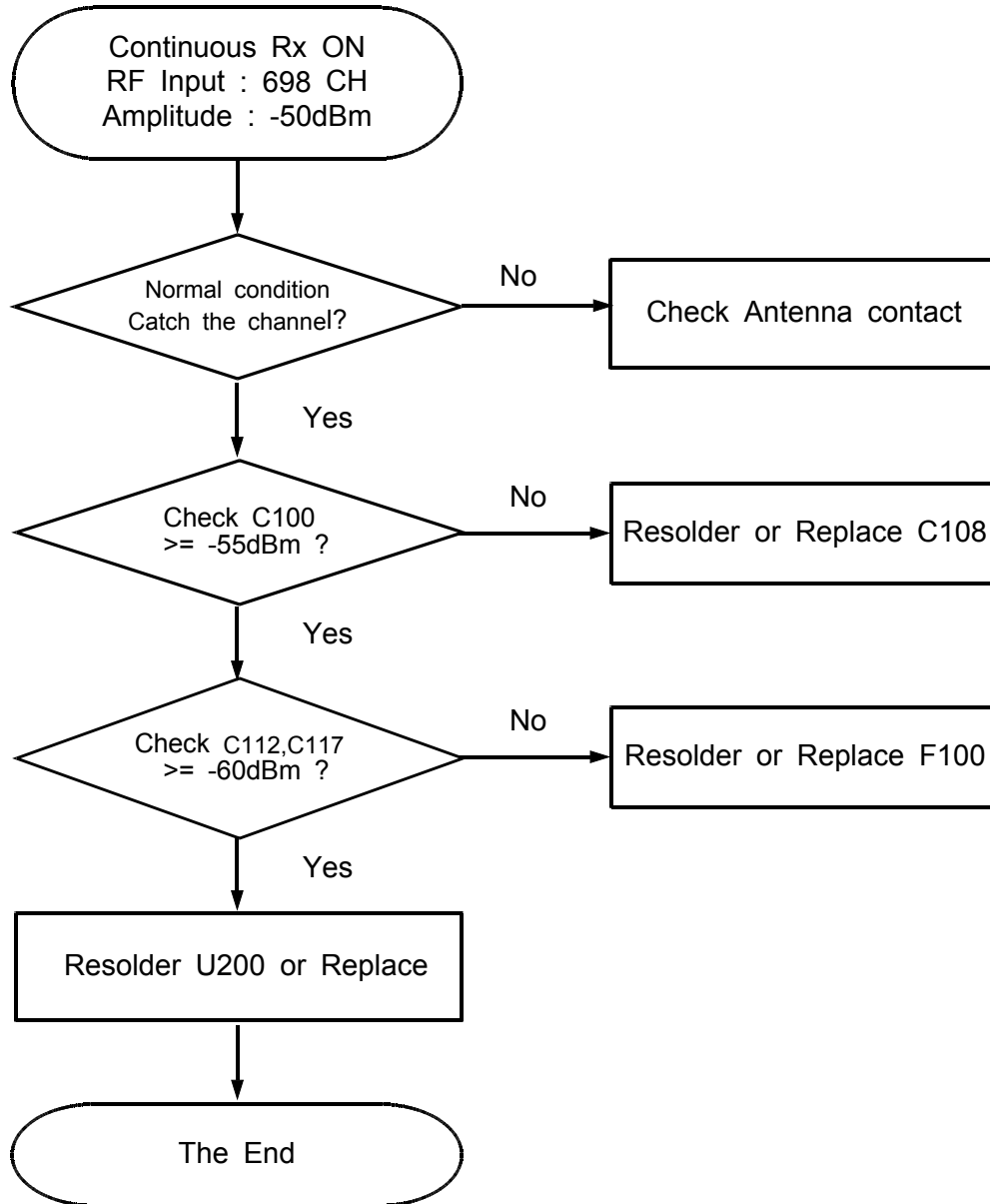
8-4-1. GSM850/900 RX

**If you check the Rx chain, Check the not only RF Device but also resistor, inductor and capacitor.



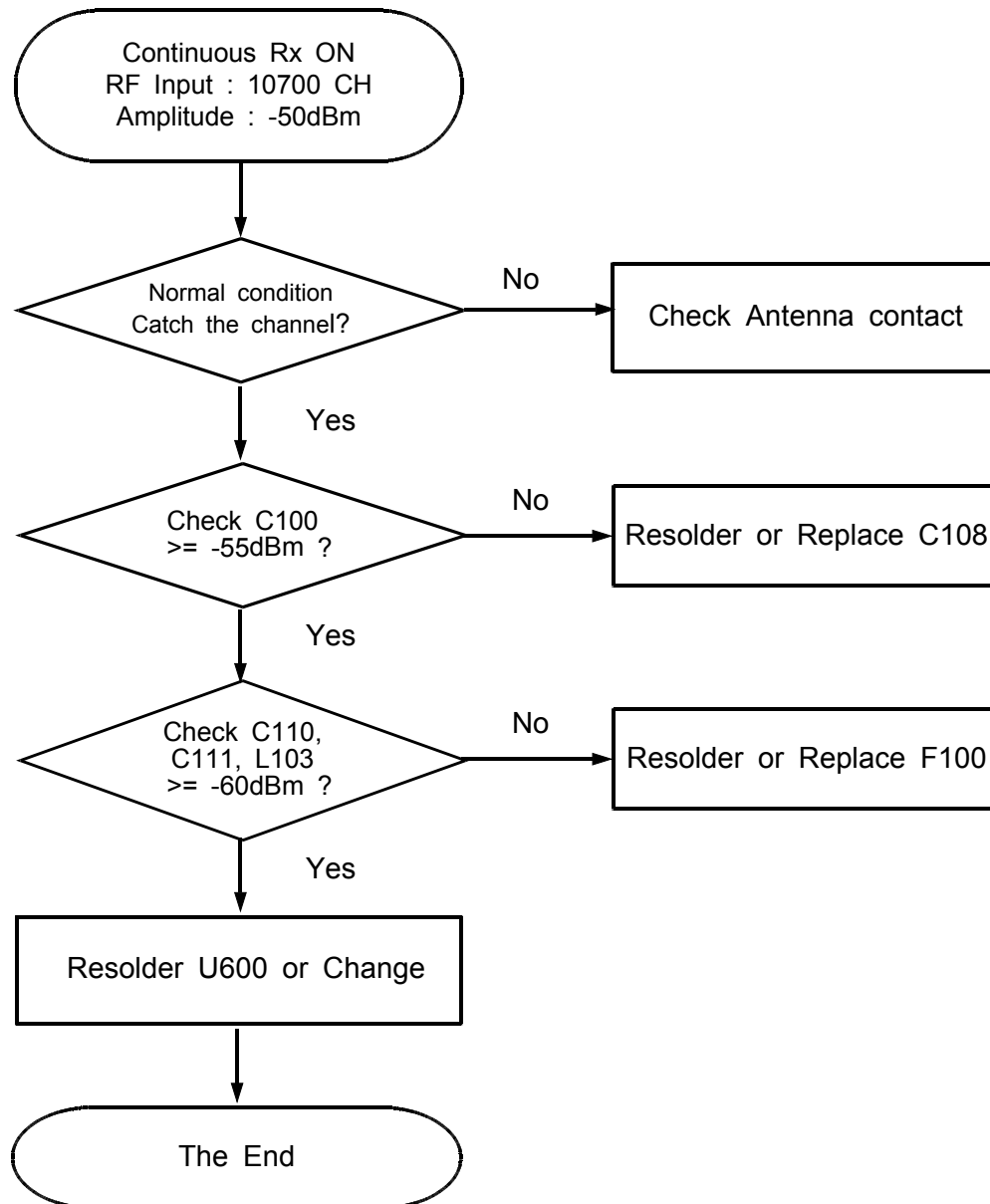
8-4-2. DCS/PCS RX

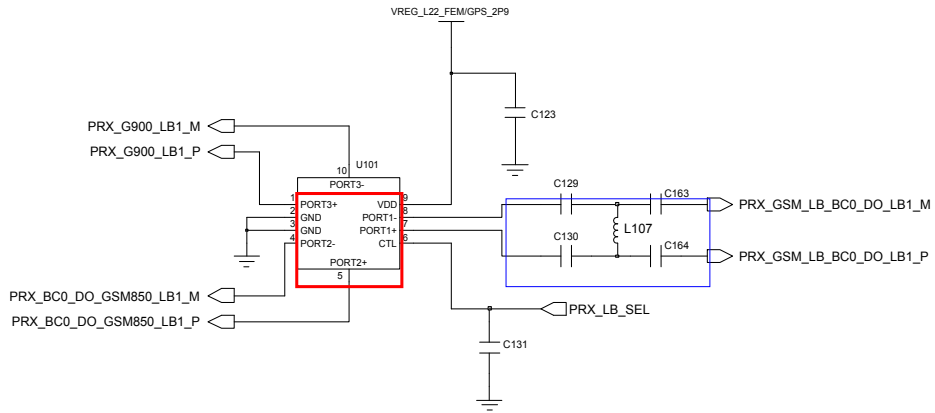
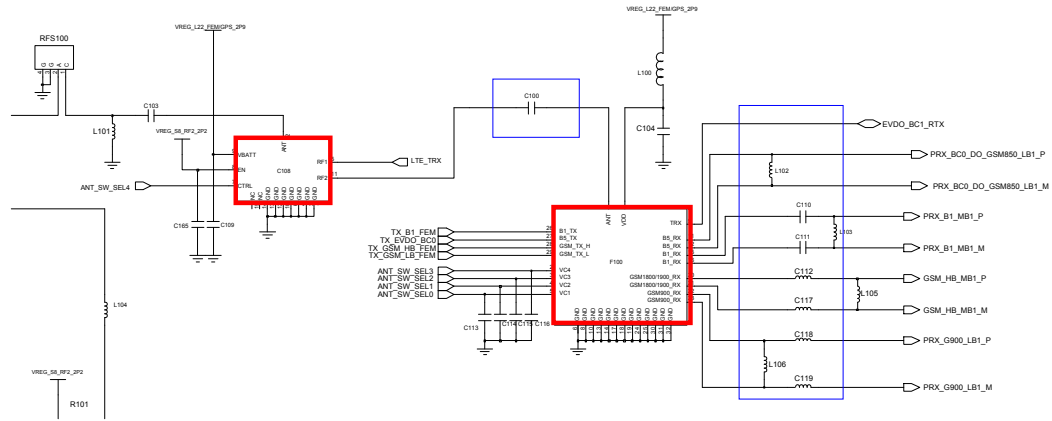
**If you check the tx chain, Check the not only RF Device but also resistor, inductor and capacitor.



8-4-3. WCDMA Band1 RX

**If you check the tx chain, Check the not only RF Device but also resistor, inductor and capacitor.

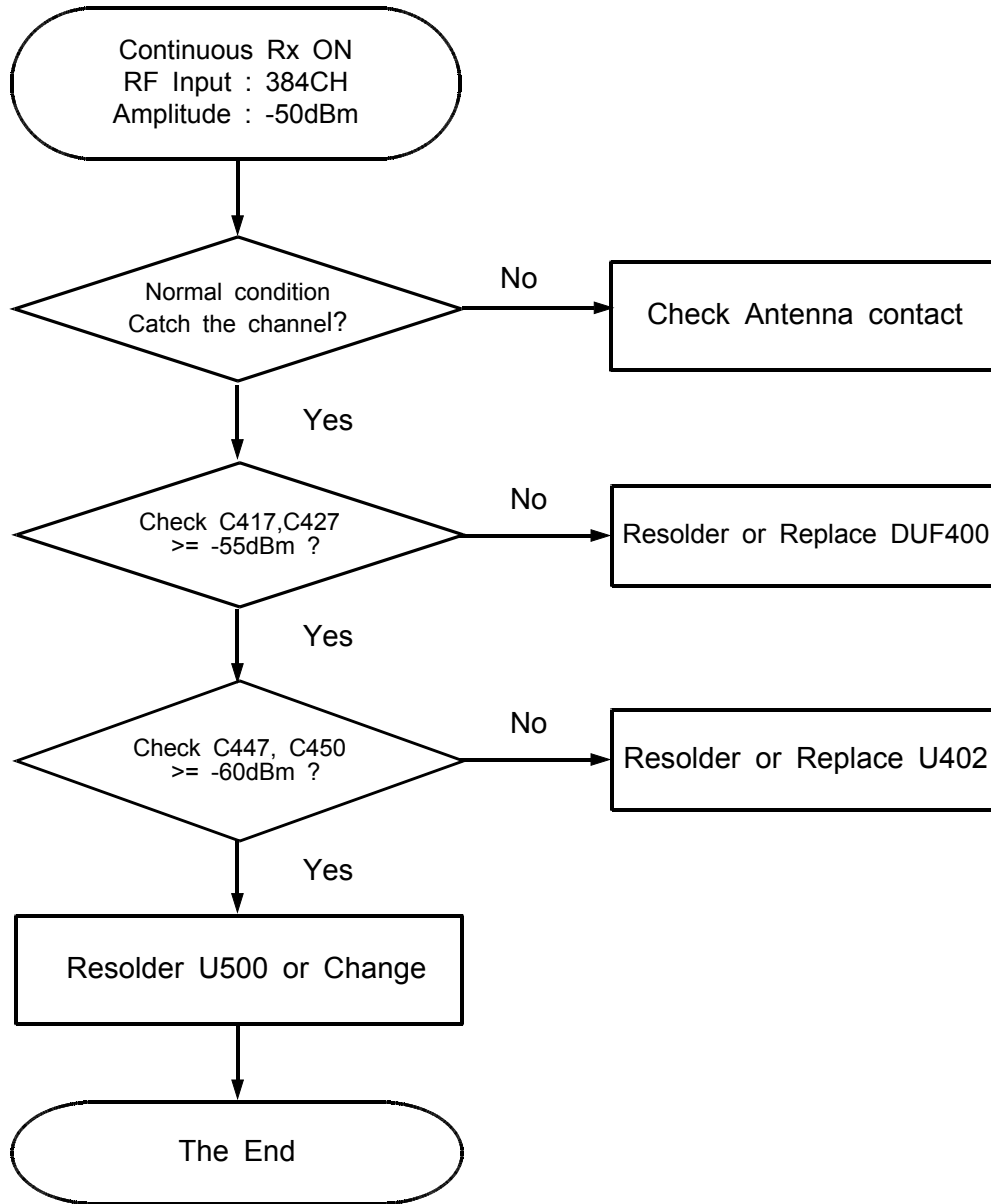






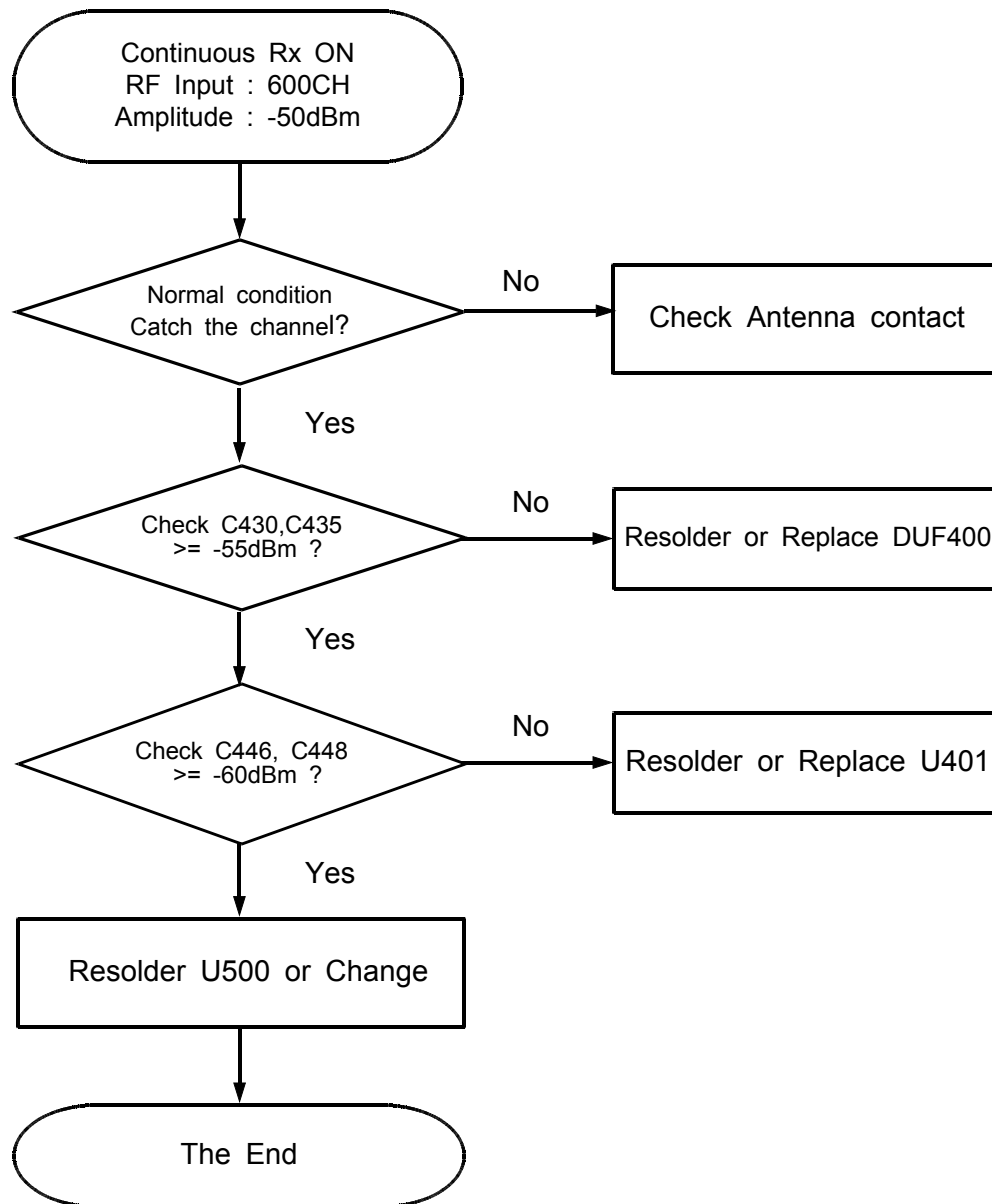
8-4-4. 1x CDMA RX

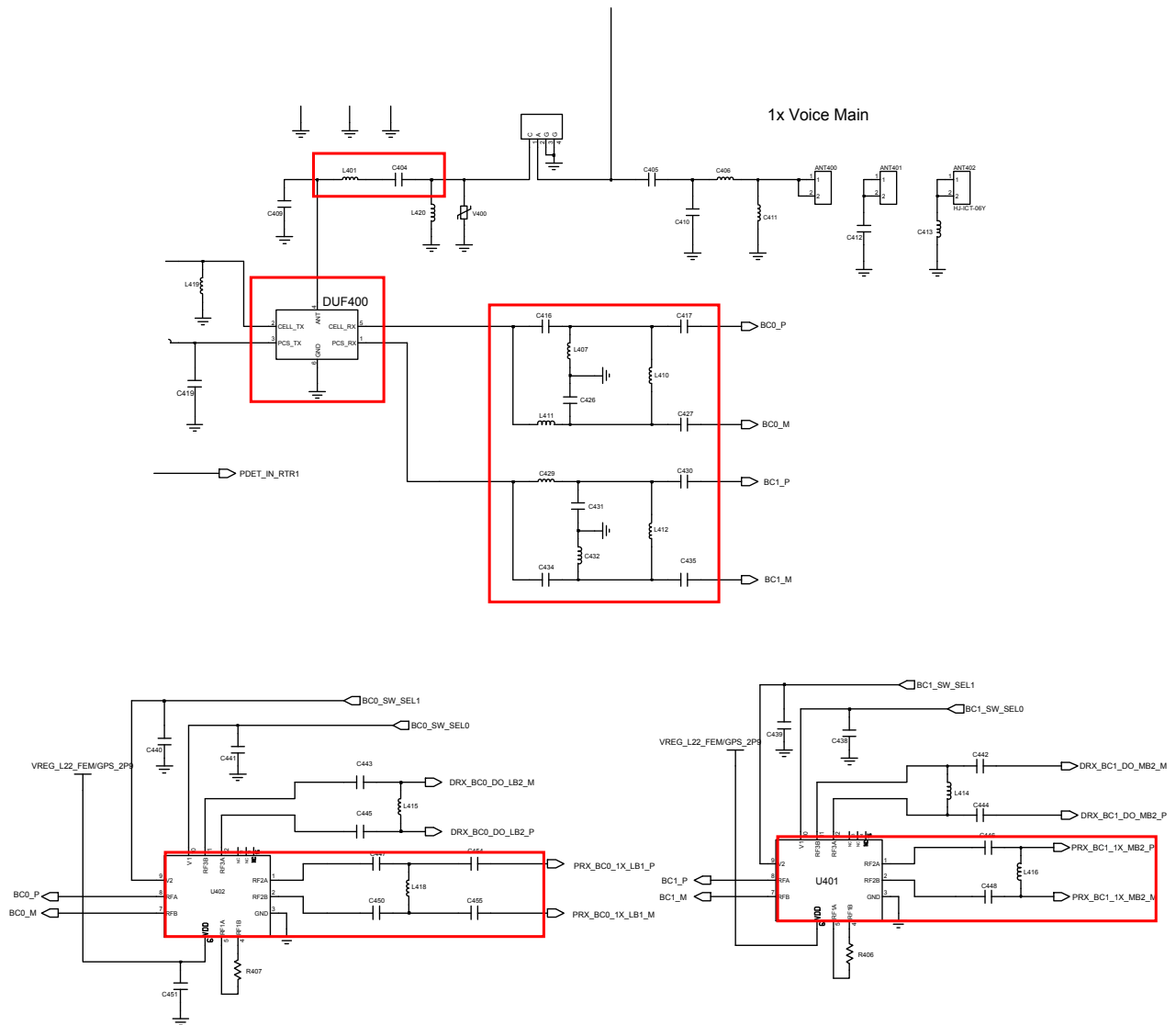
**If you check the Rx chain, Check the not only RF Device but also resistor, inductor and capacitor.



8-4-5. 1x PCS RX

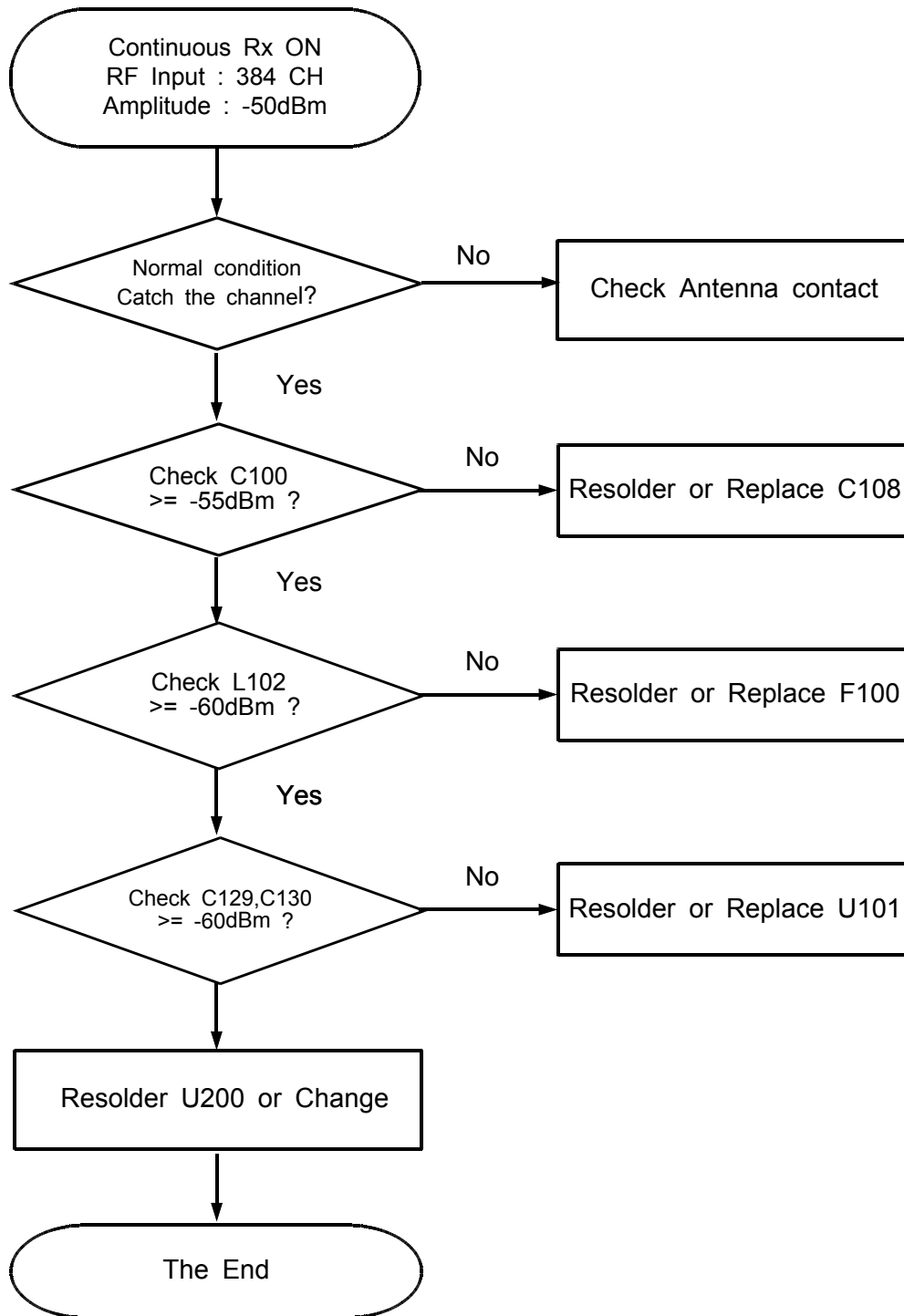
**If you check the Rx chain, Check the not only RF Device but also resistor, inductor and capacitor.

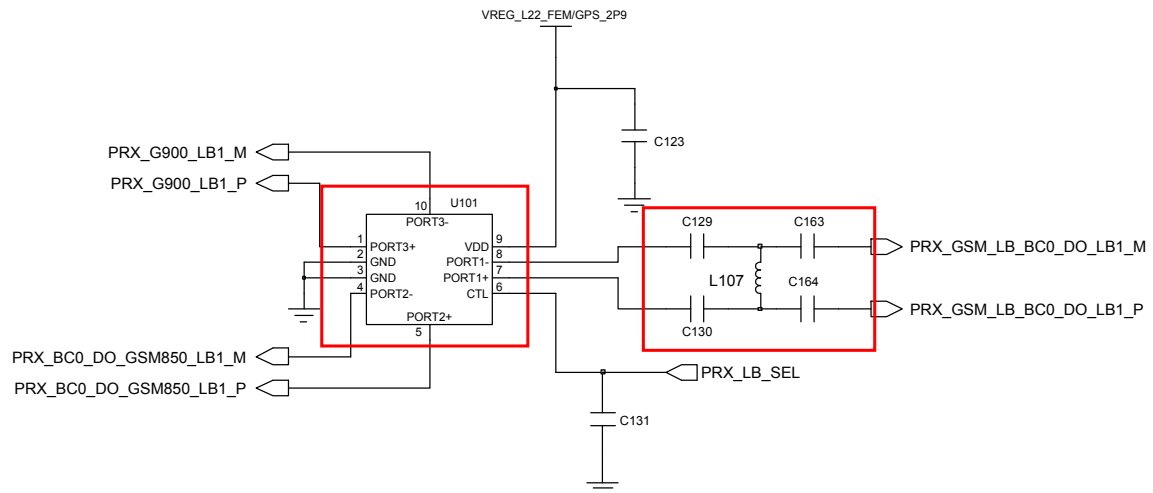
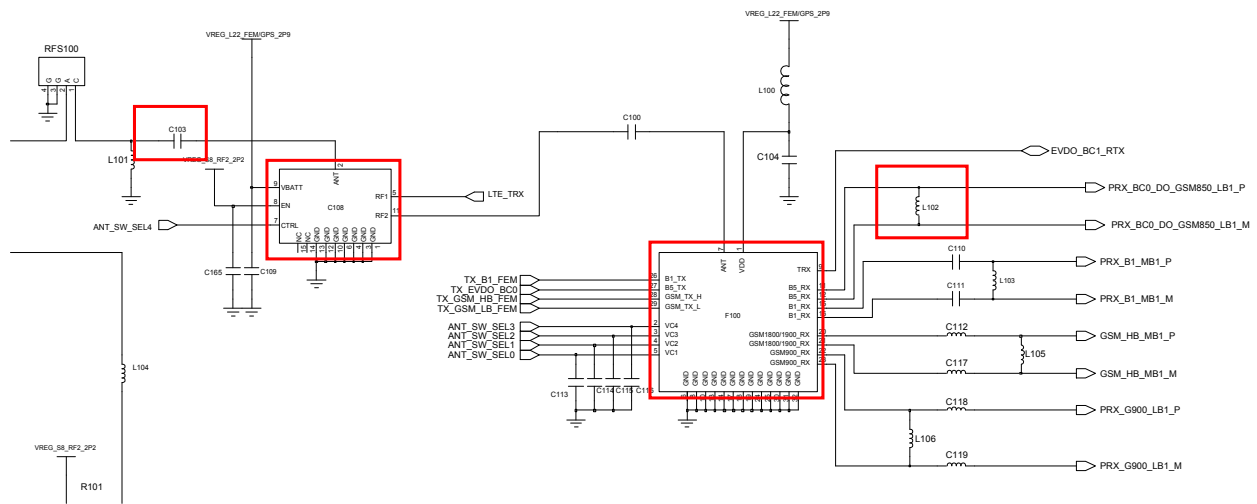


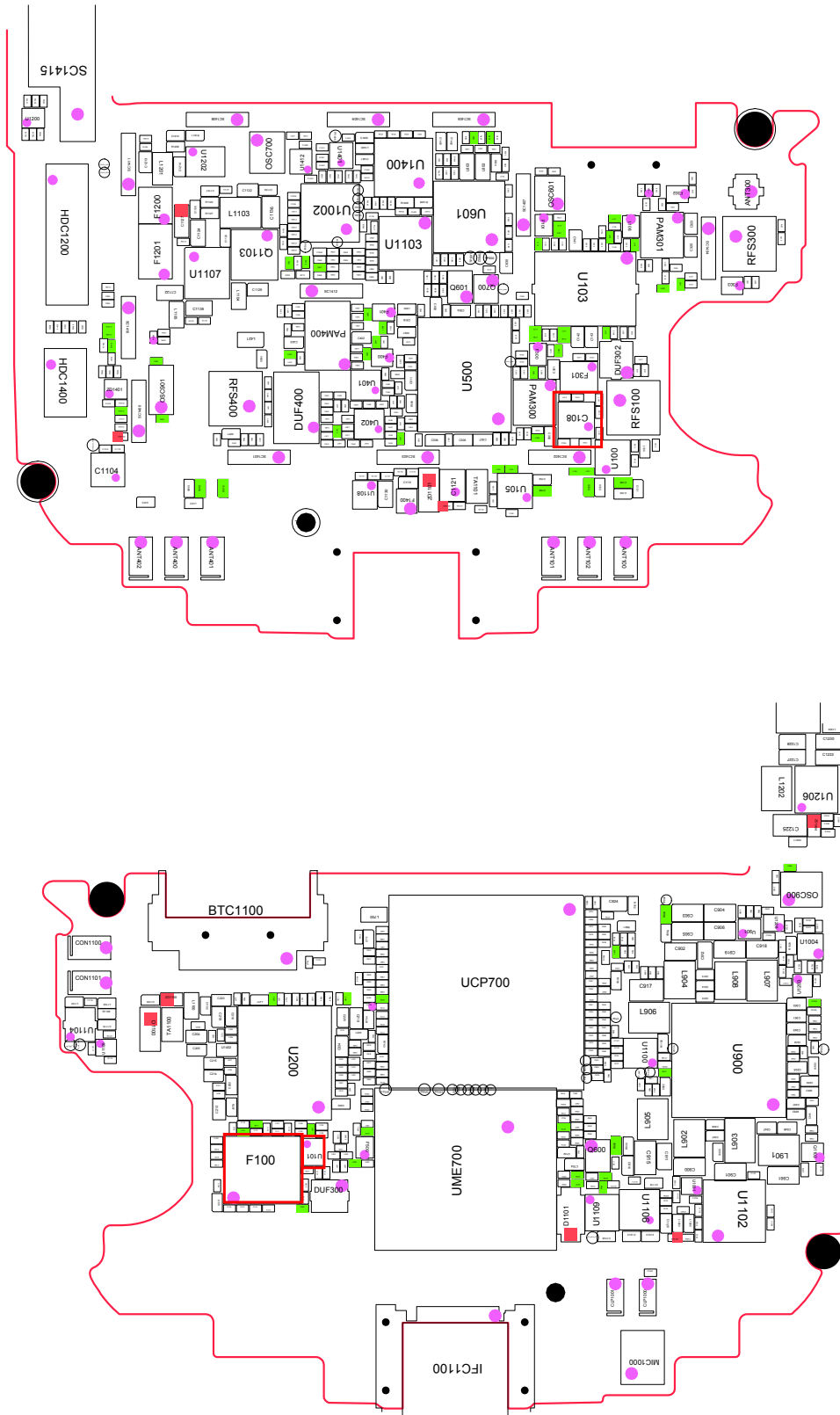


8-4-6. EVDO CDMA RX

**If you check the Rx chain, Check the not only RF Device but also resistor, inductor and capacitor.

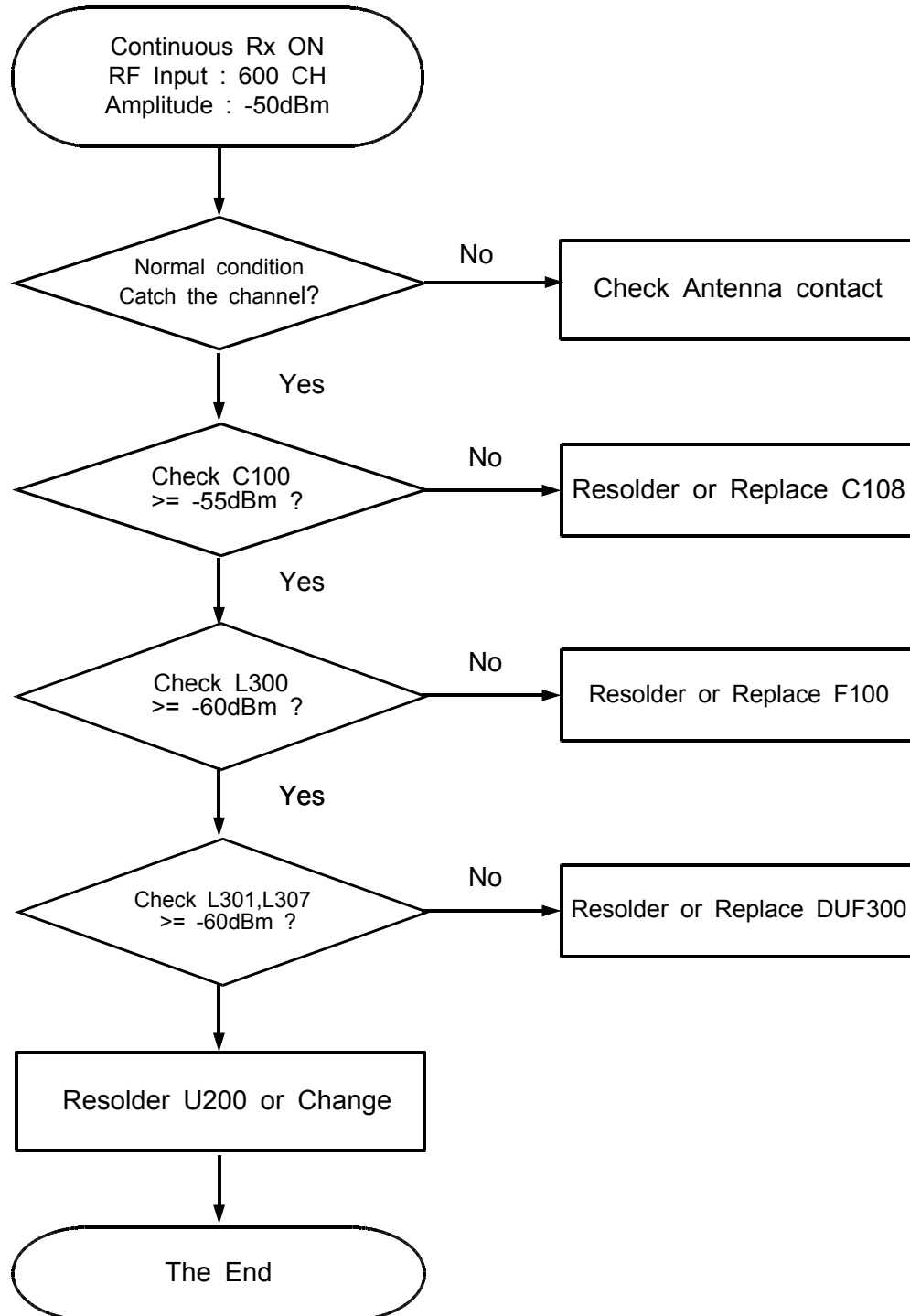


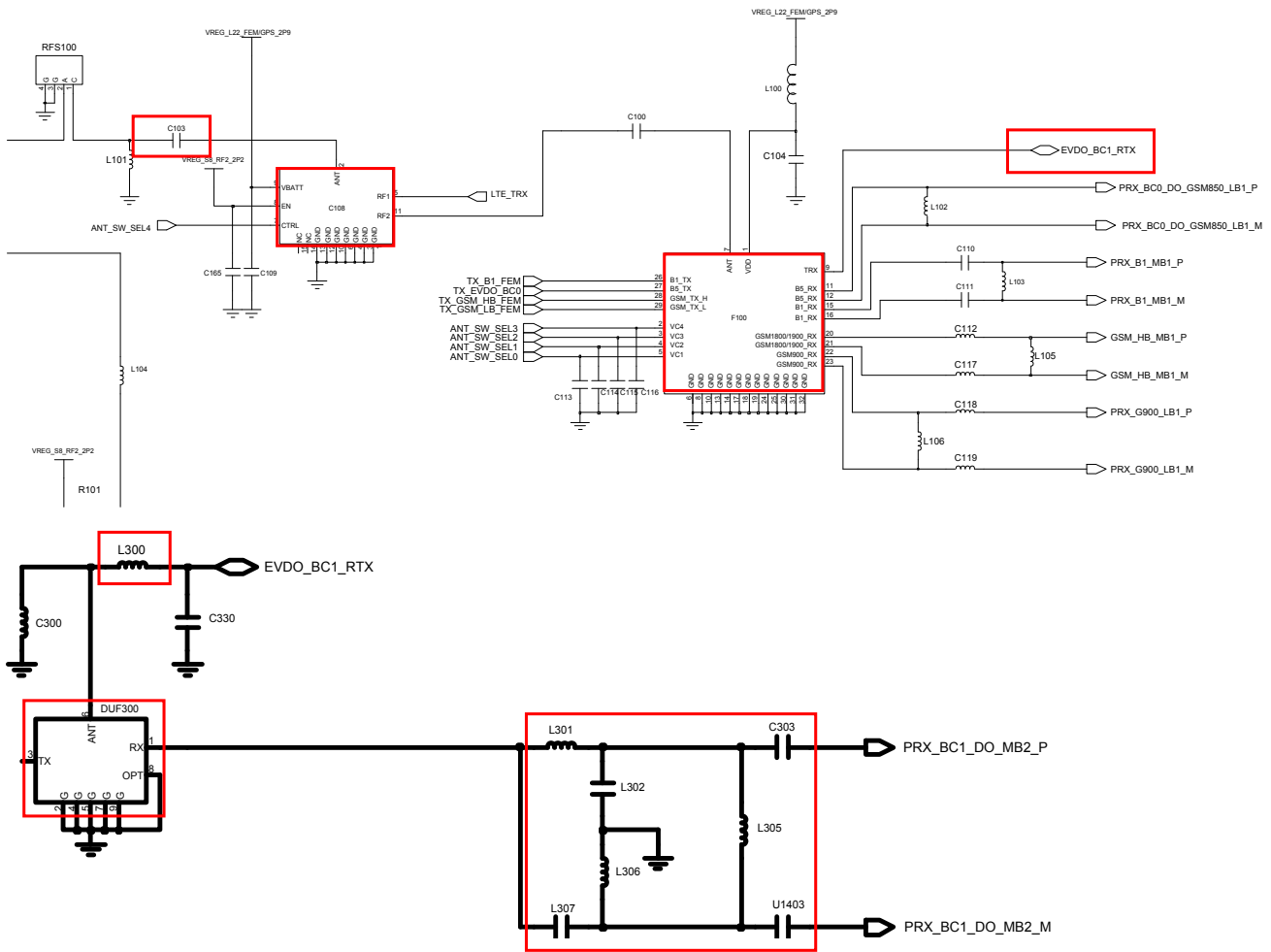




8-4-7. EVDO PCS RX

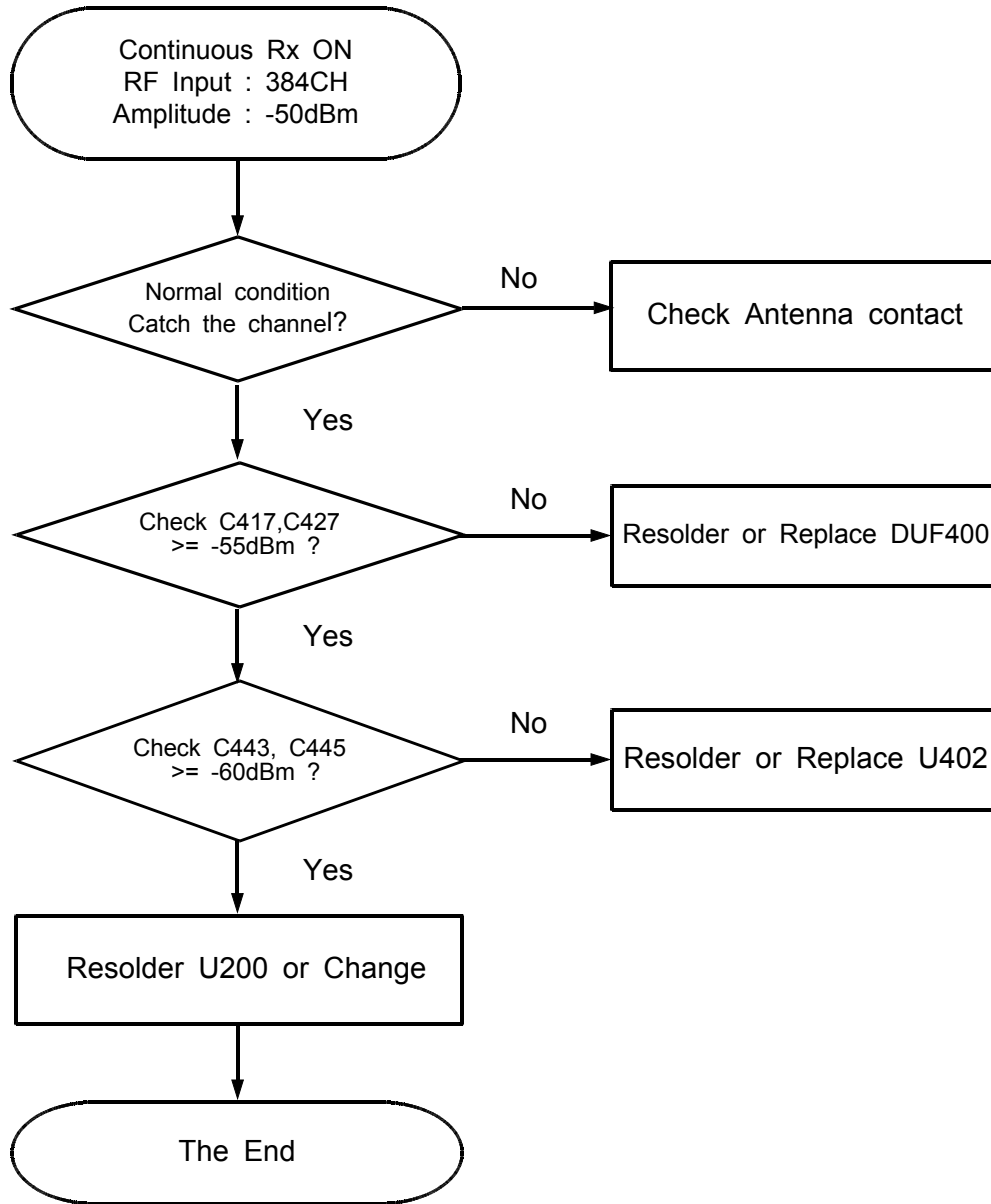
**If you check the Rx chain, Check the not only RF Device but also resistor, inductor and capacitor.





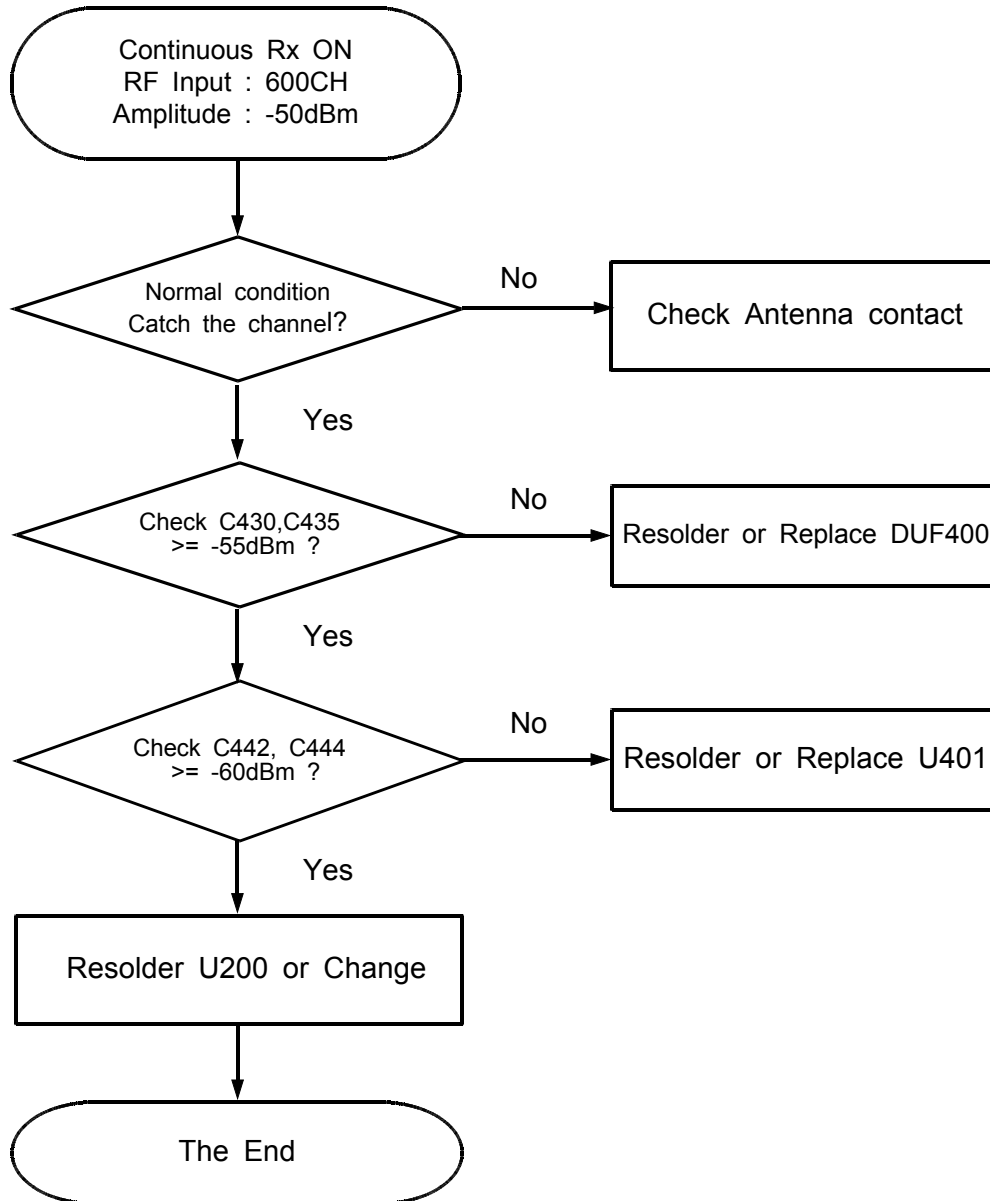
8-4-7. EVDO CDMA Div RX

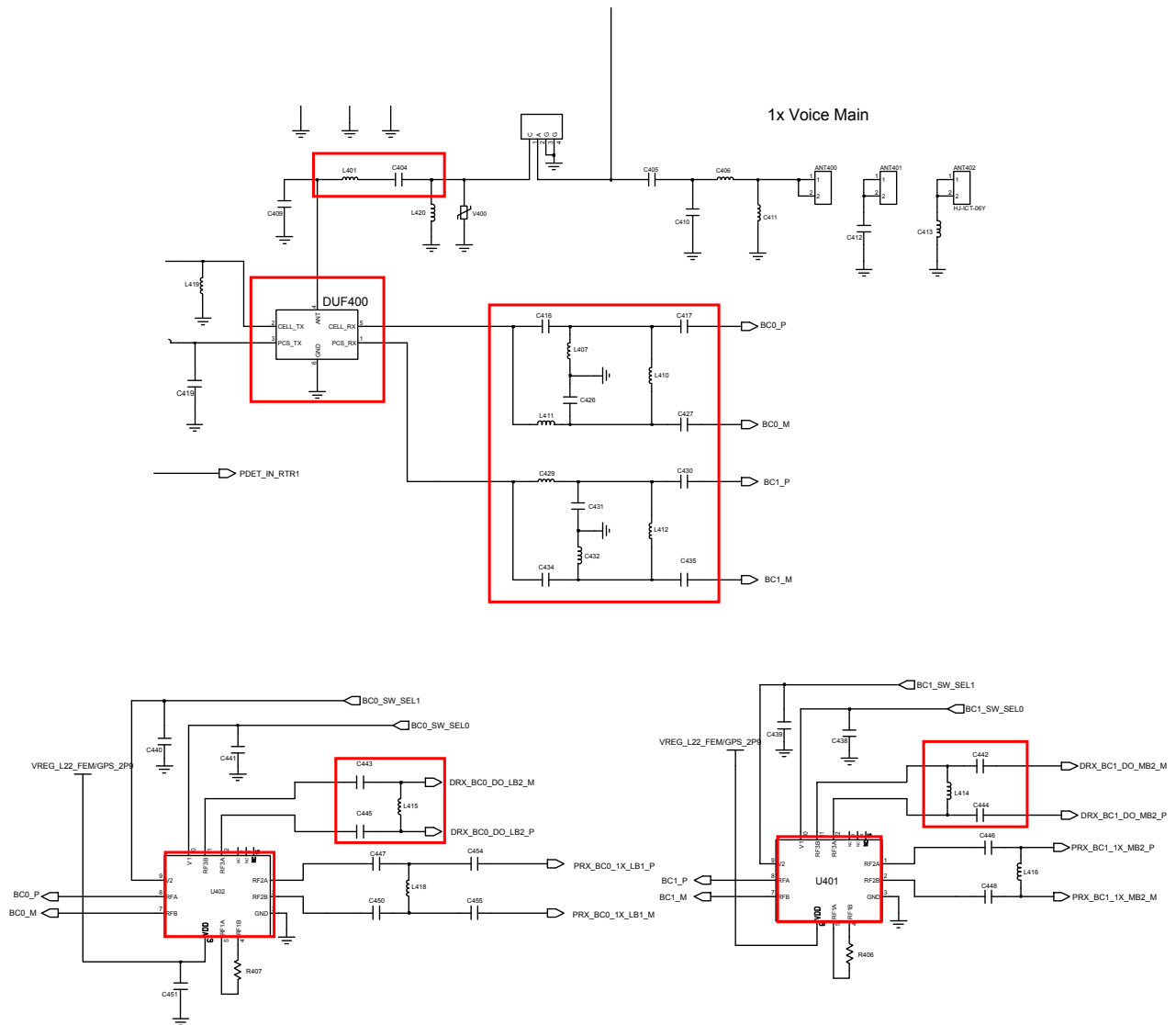
**If you check the Rx chain, Check the not only RF Device but also resistor, inductor and capacitor.



8-4-8. EVDO PCS Div RX

**If you check the Rx chain, Check the not only RF Device but also resistor, inductor and capacitor.

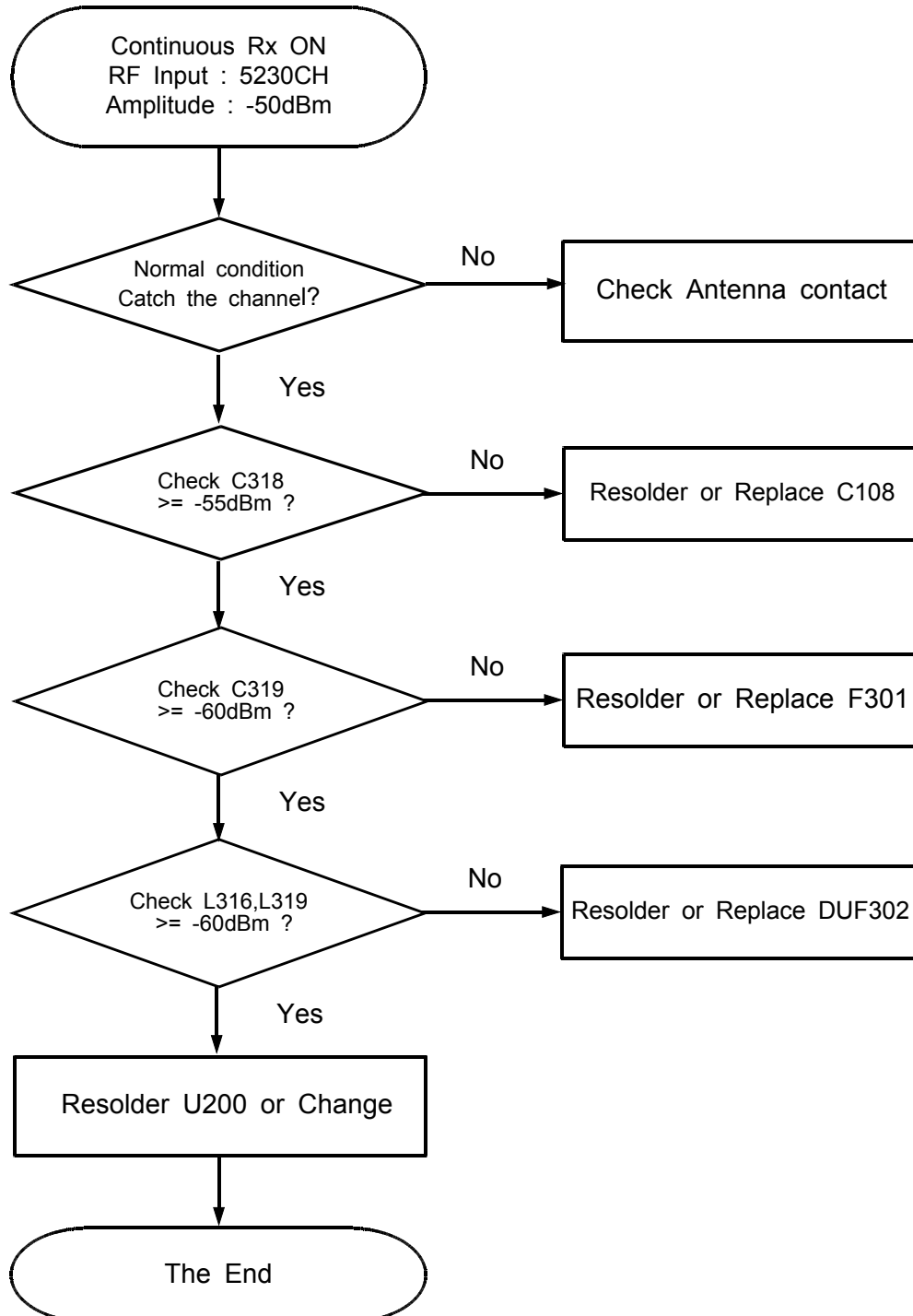


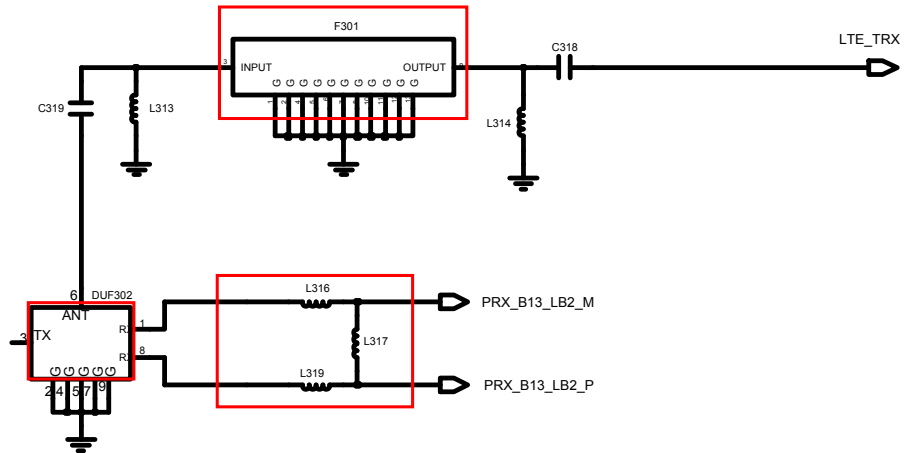
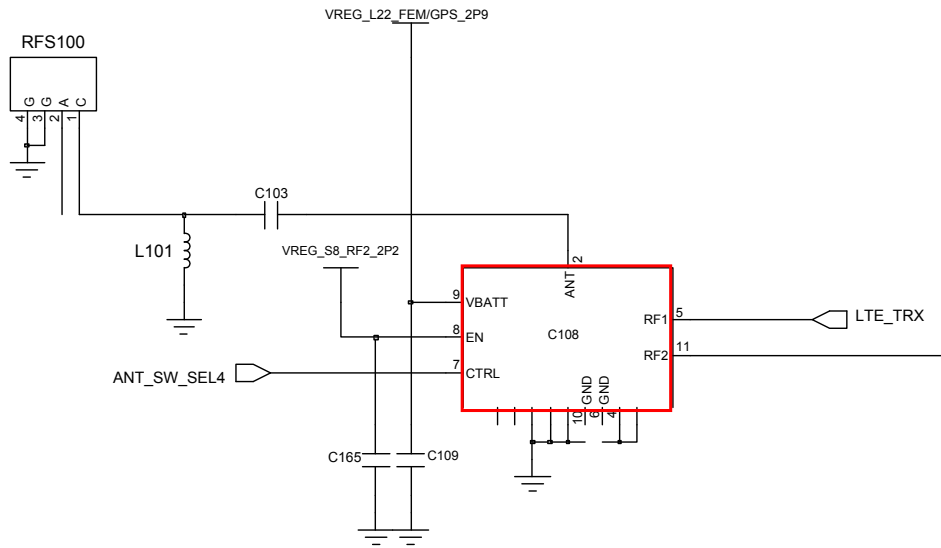




8-4-9. LTE B13 RX

**If you check the Rx chain, Check the not only RF Device but also resistor, inductor and capacitor.

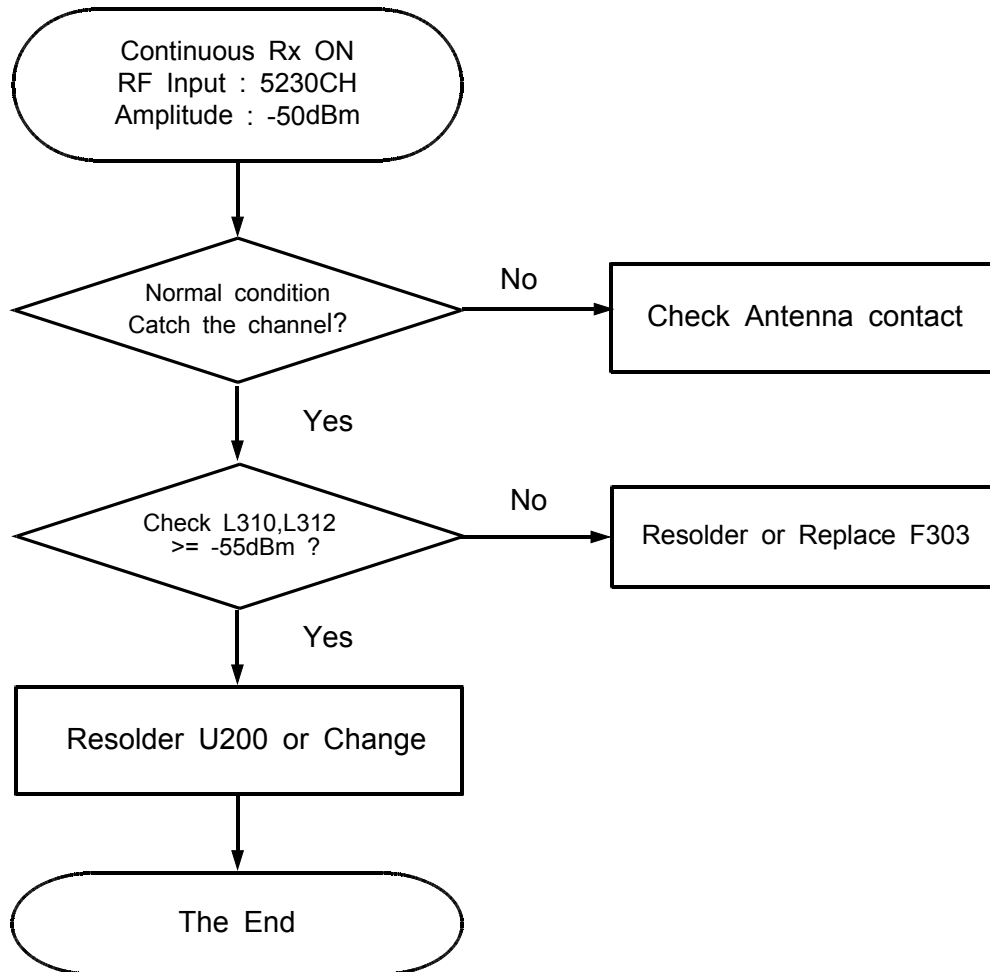


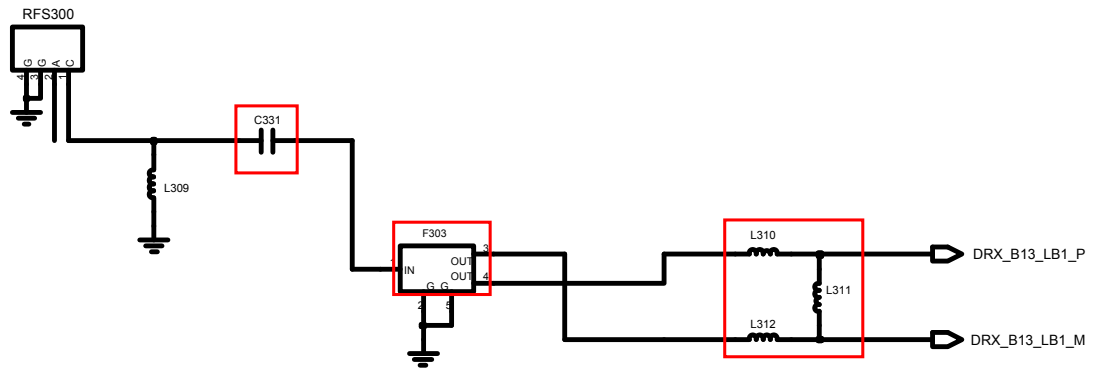




8-4-9. LTE B13 DRX

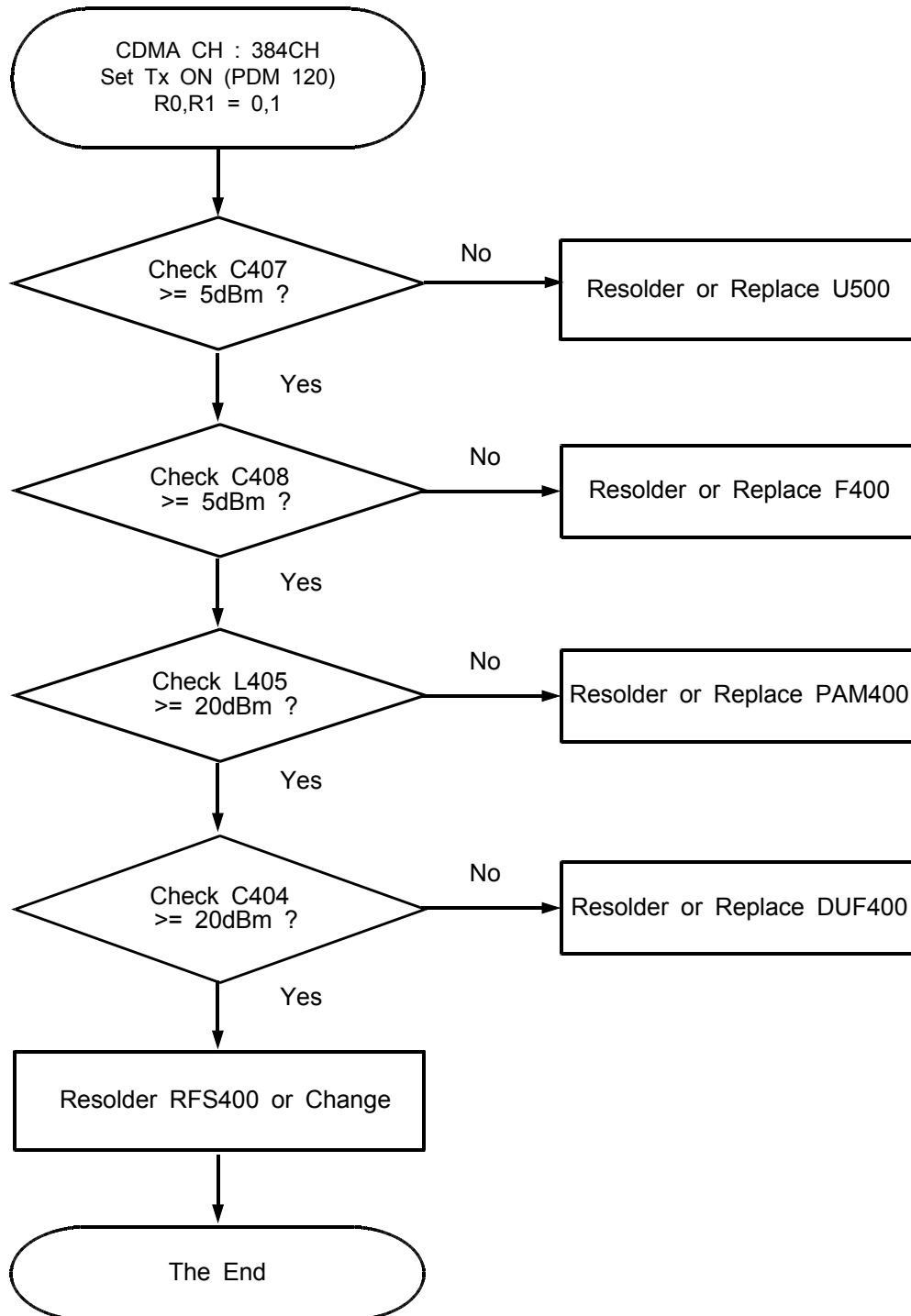
**If you check the Rx chain, Check the not only RF Device but also resistor, inductor and capacitor.





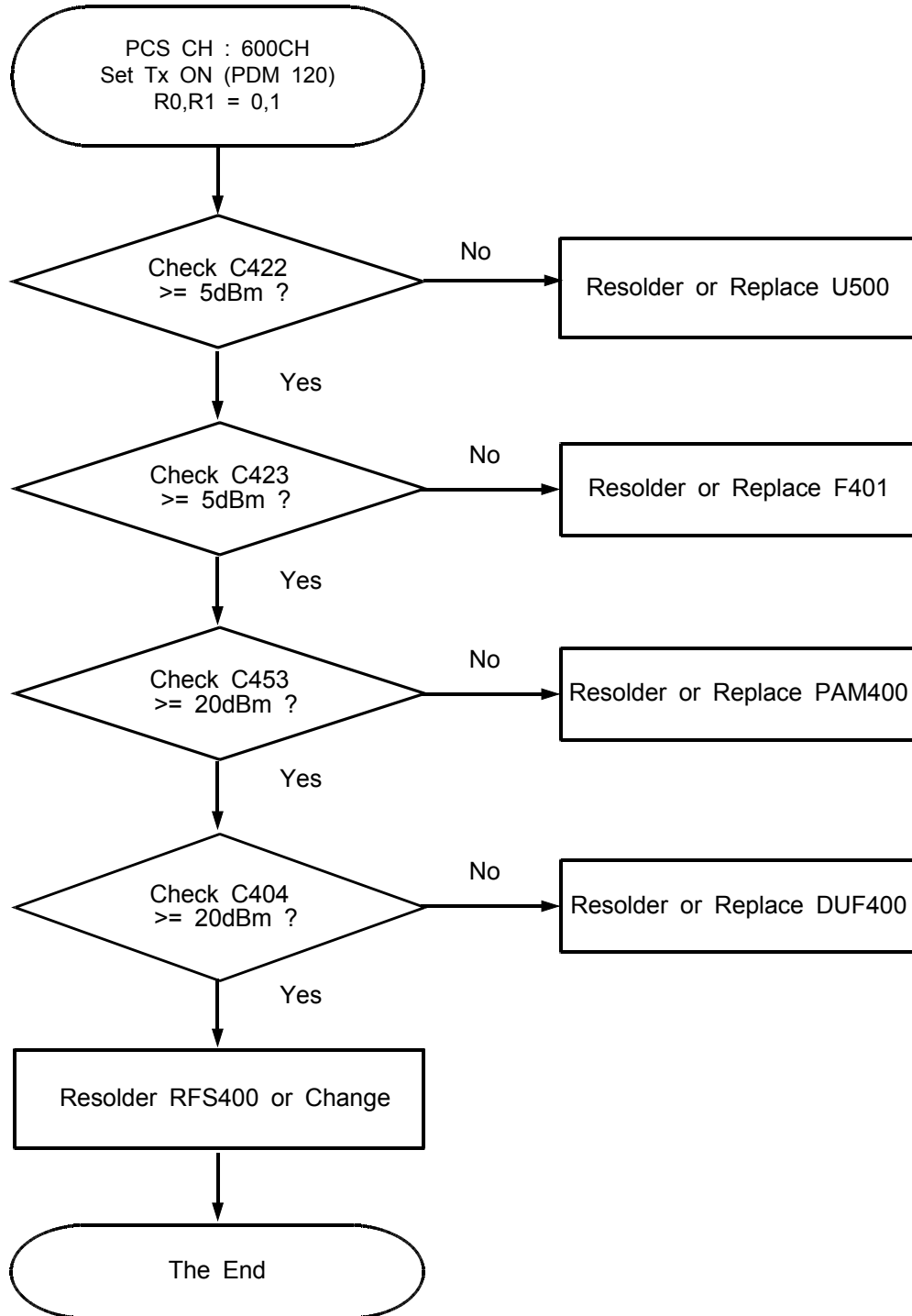
8-4-10. 1x CDMA TX

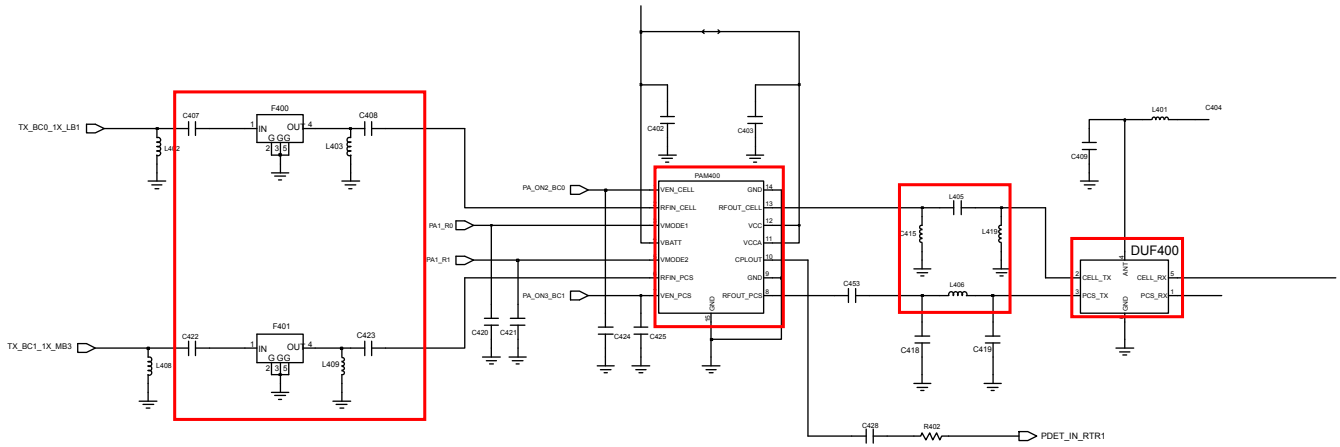
**If you check the tx chain, Check the not only RF Device but also resistor, inductor and capacitor.



8-4-11. 1x PCS TX

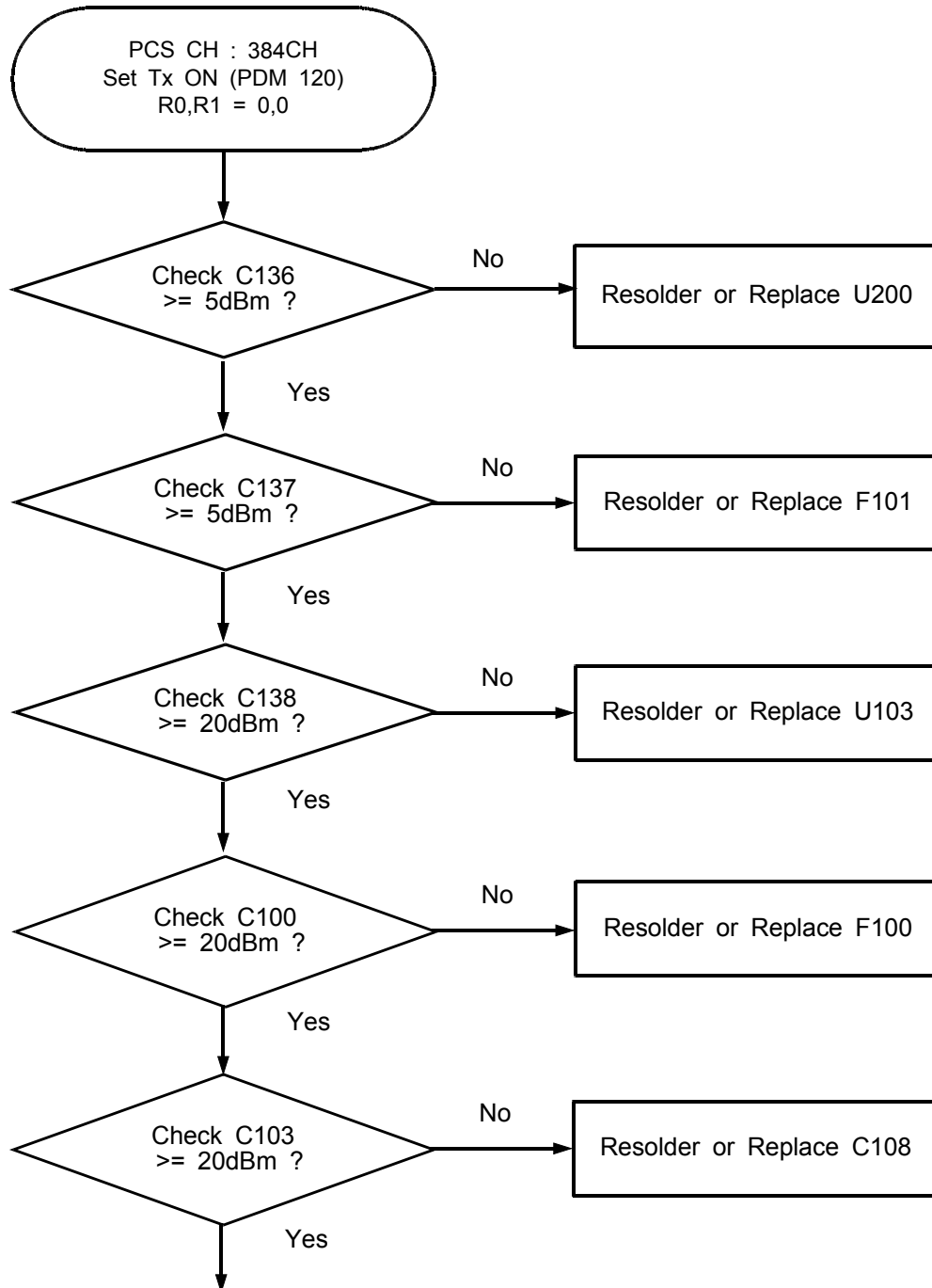
**If you check the tx chain, Check the not only RF Device but also resistor, inductor and capacitor.

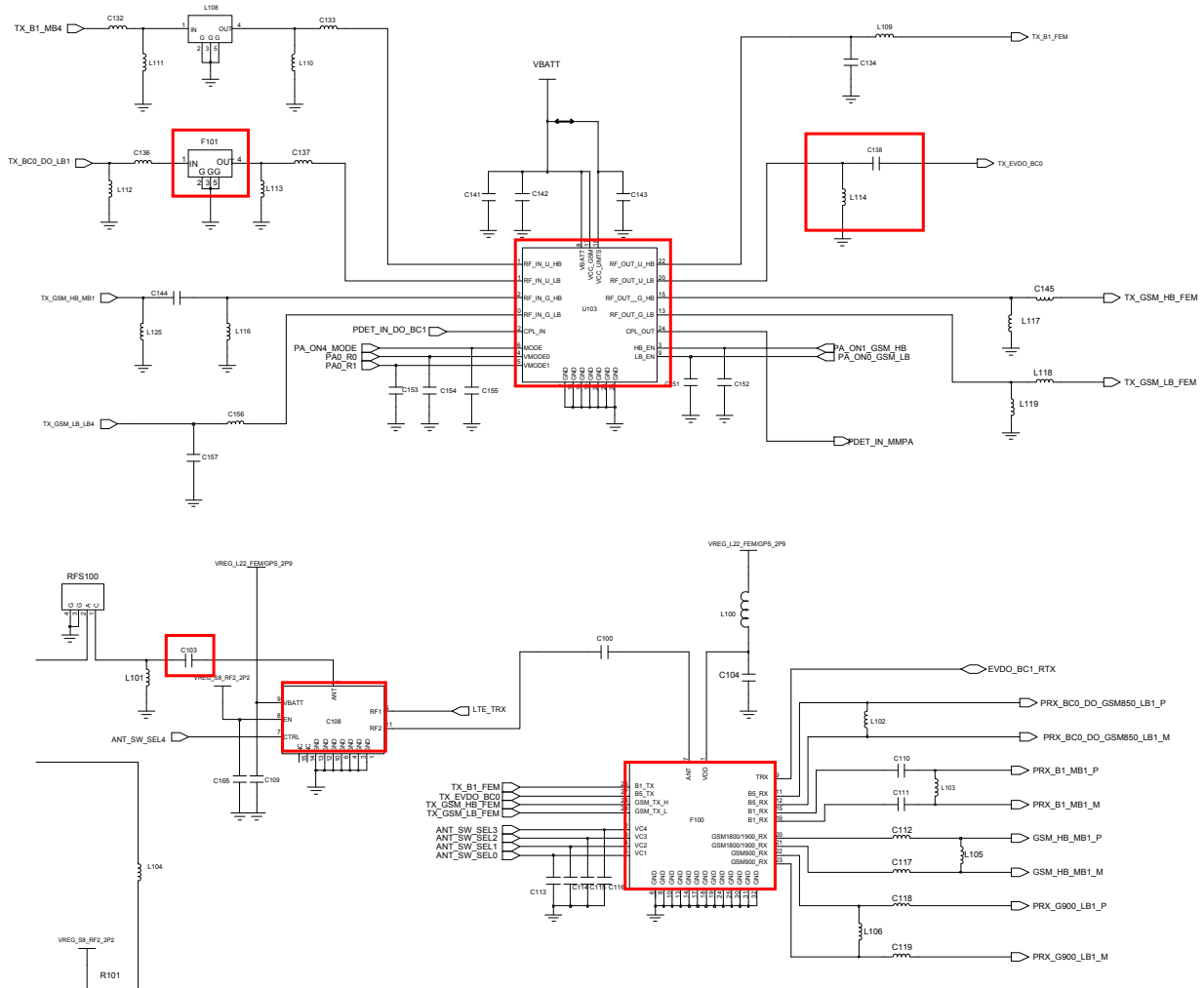
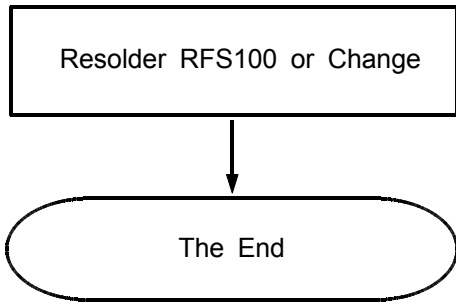




8-4-12. EVDO CDMA Tx

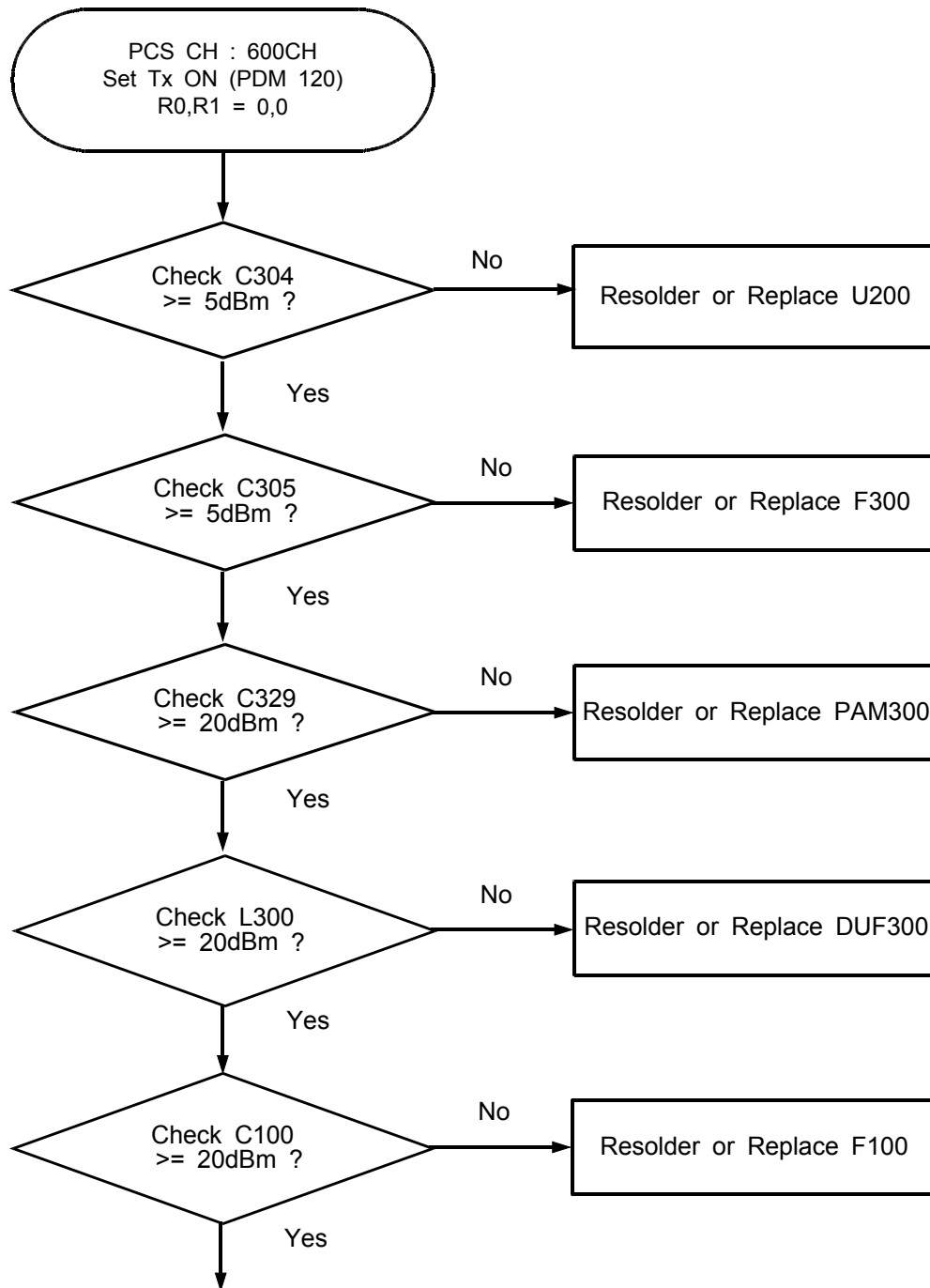
**If you check the tx chain, Check the not only RF Device but also resistor, inductor and capacitor.

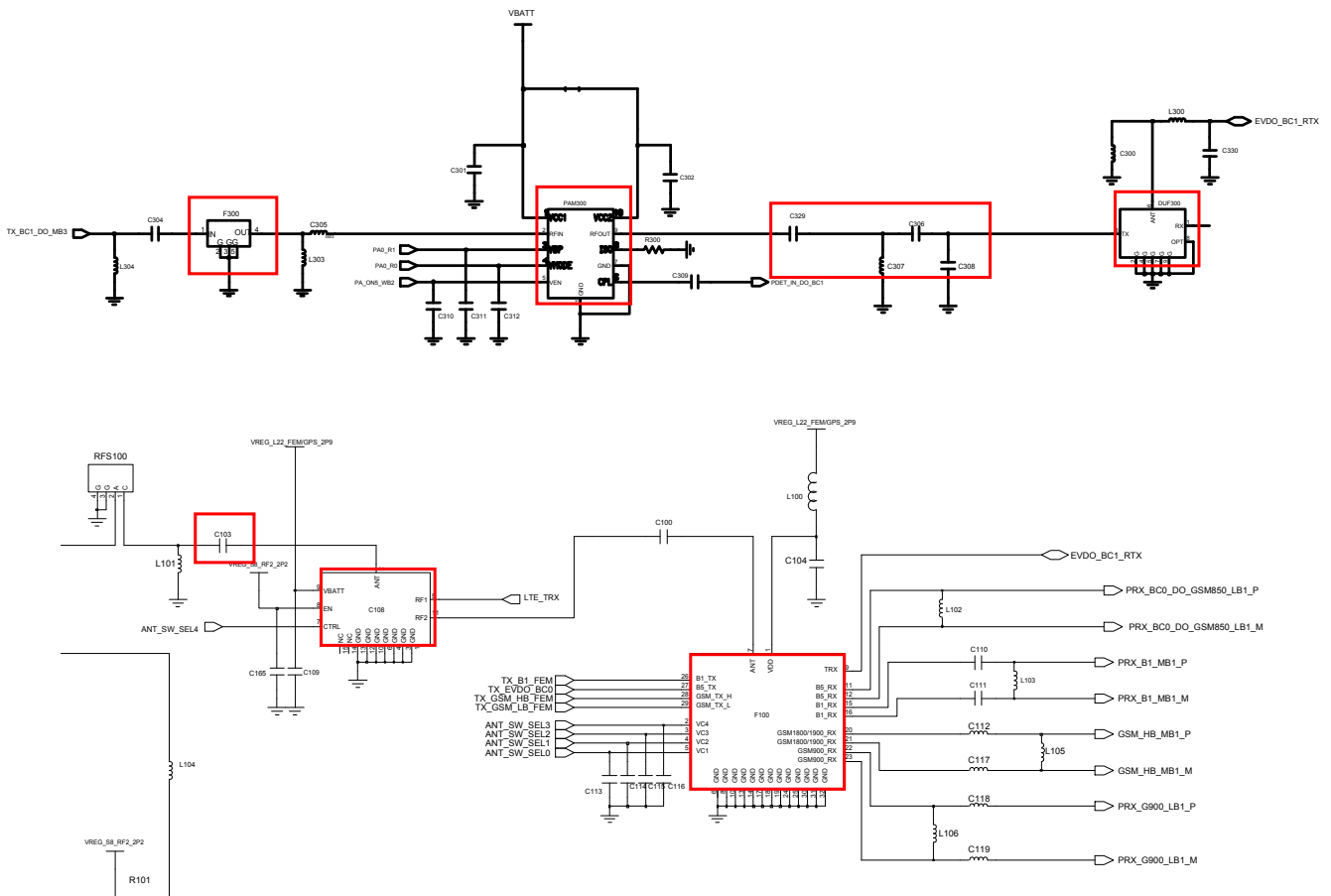
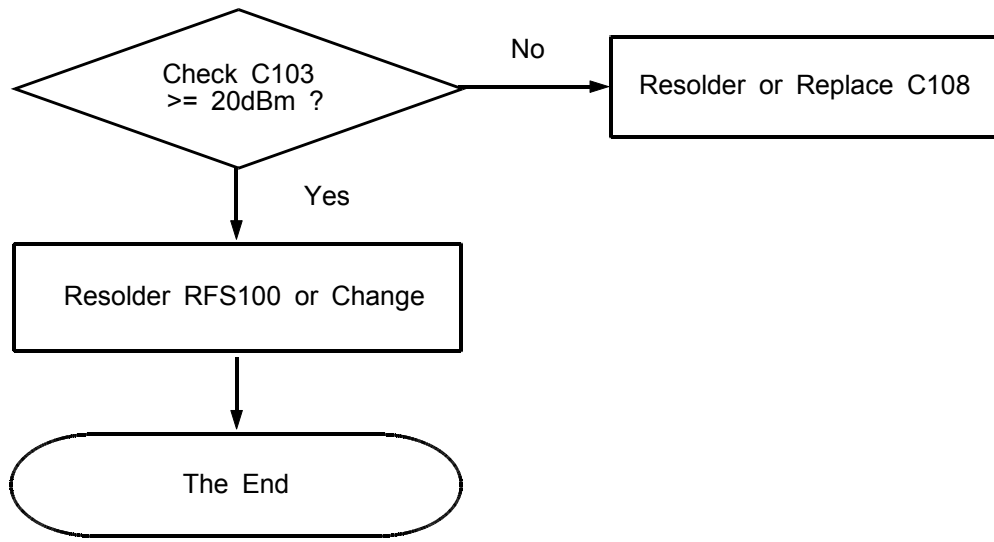


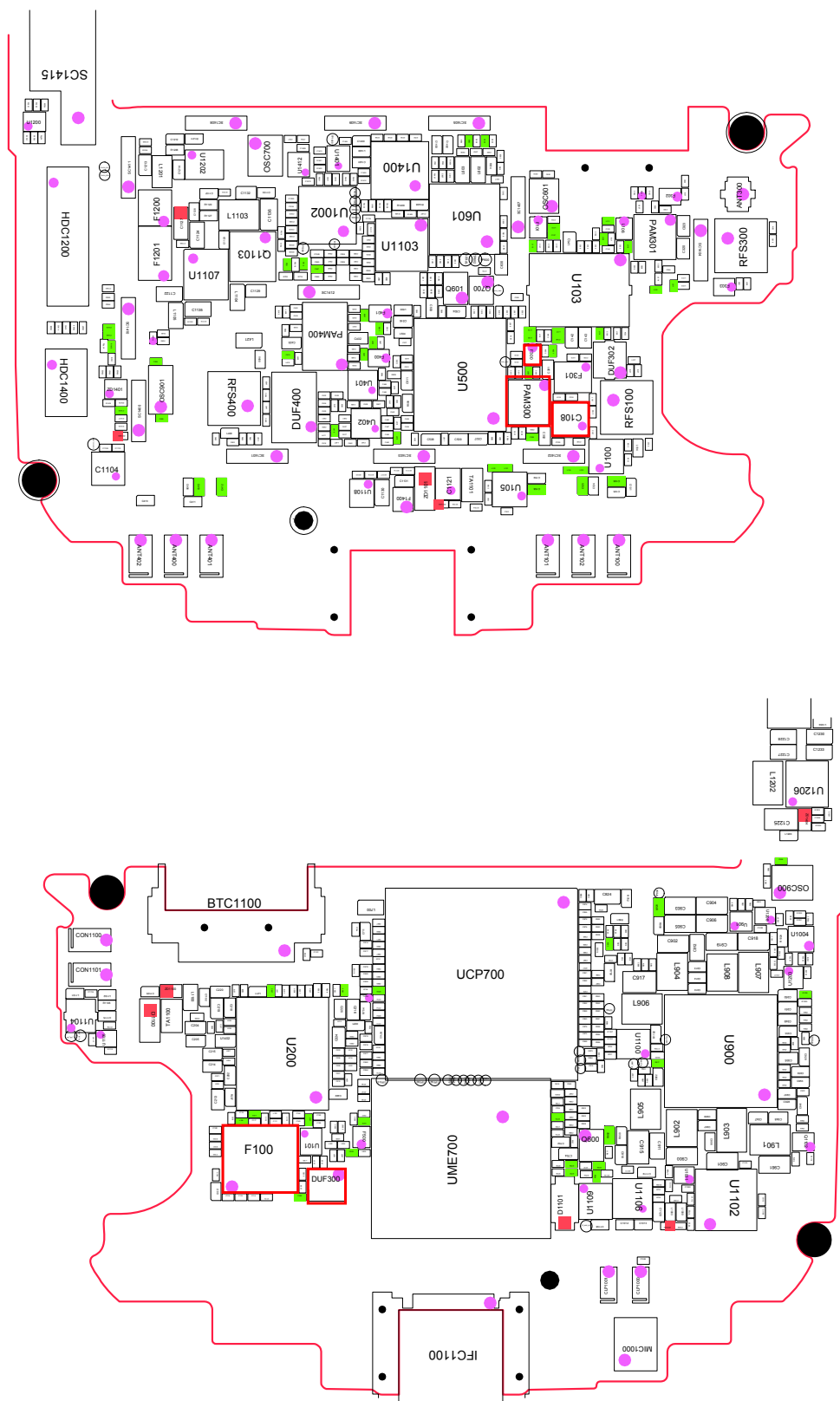


8-4-13. EVDO PCS Tx

**If you check the tx chain, Check the not only RF Device but also resistor, inductor and capacitor.

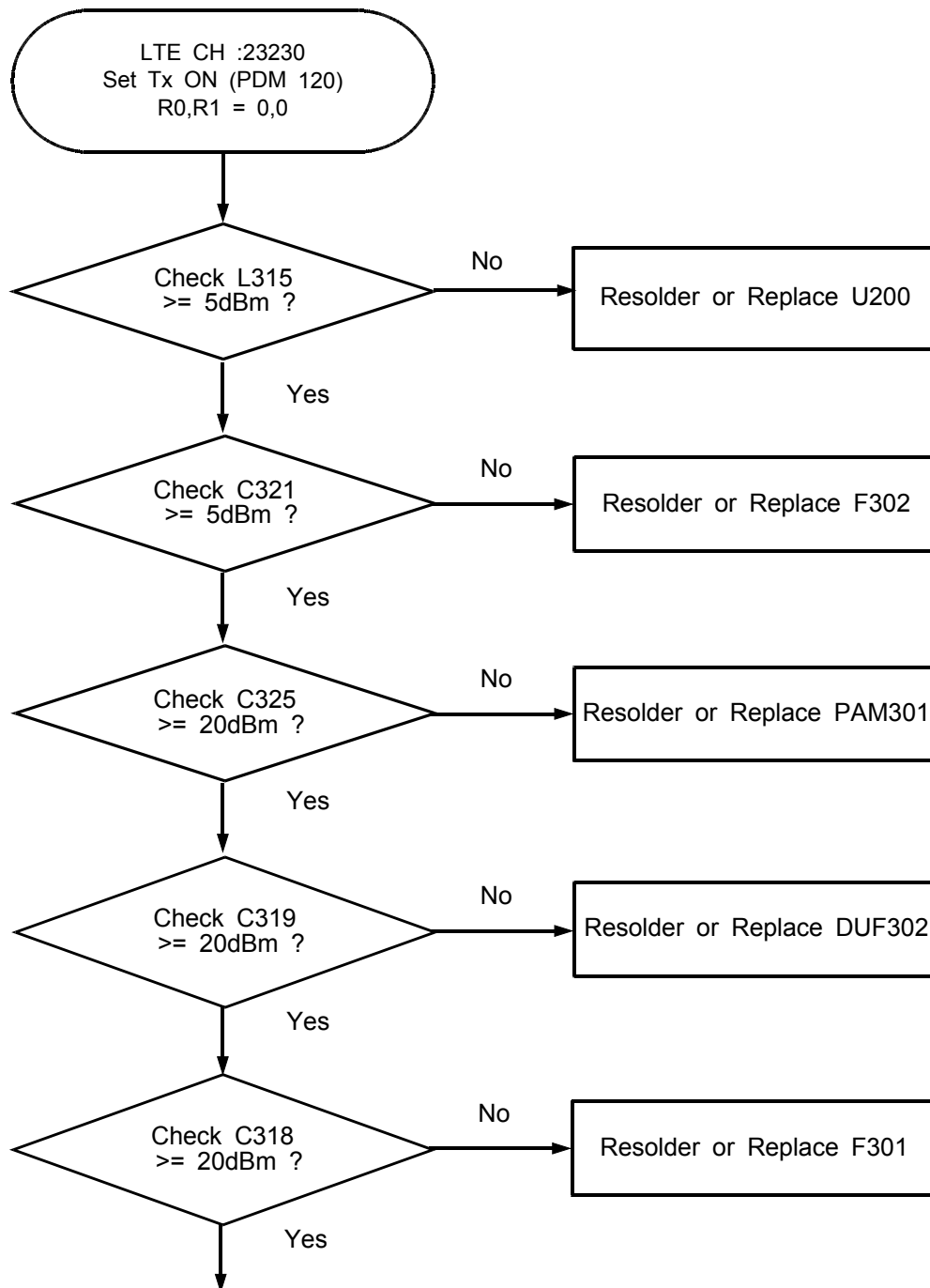


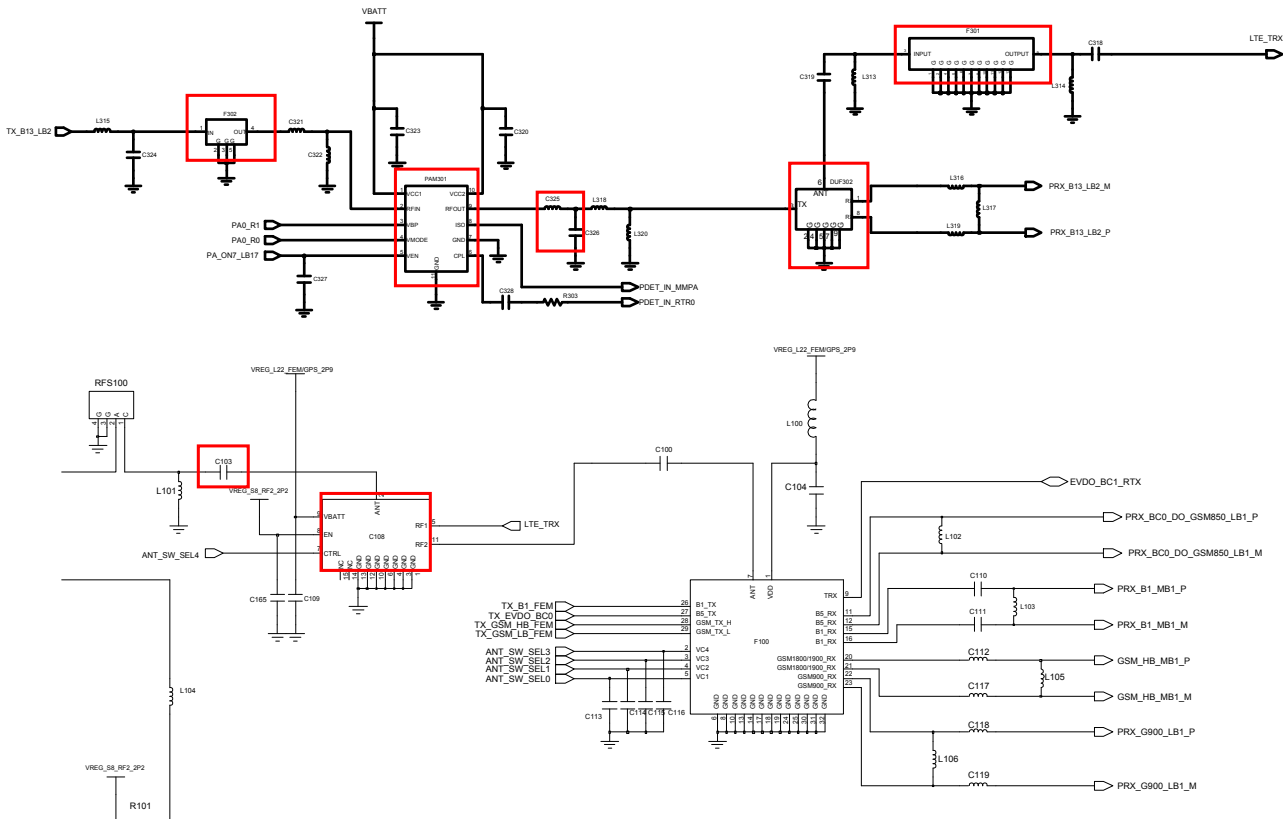
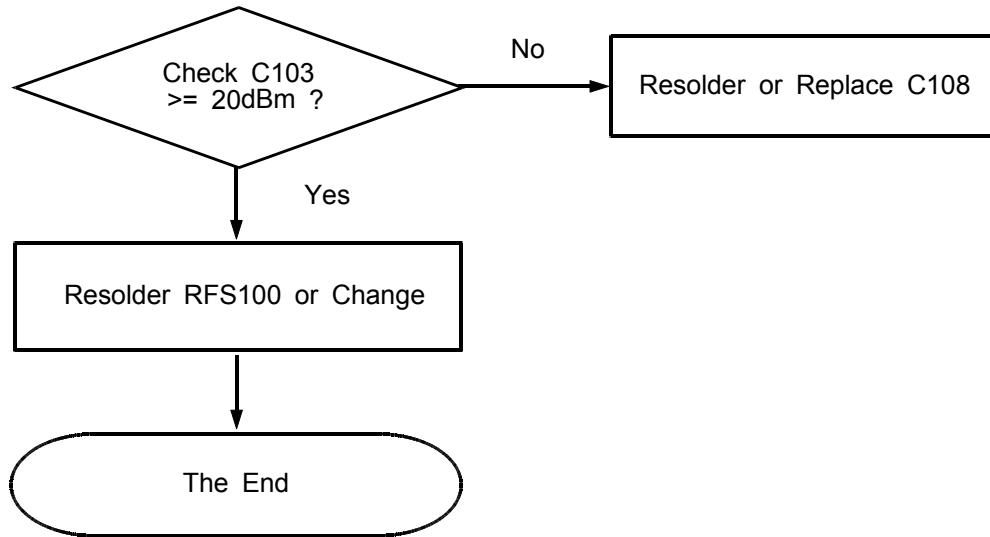




8-4-14. LTE B13 Tx

**If you check the tx chain, Check the not only RF Device but also resistor, inductor and capacitor.

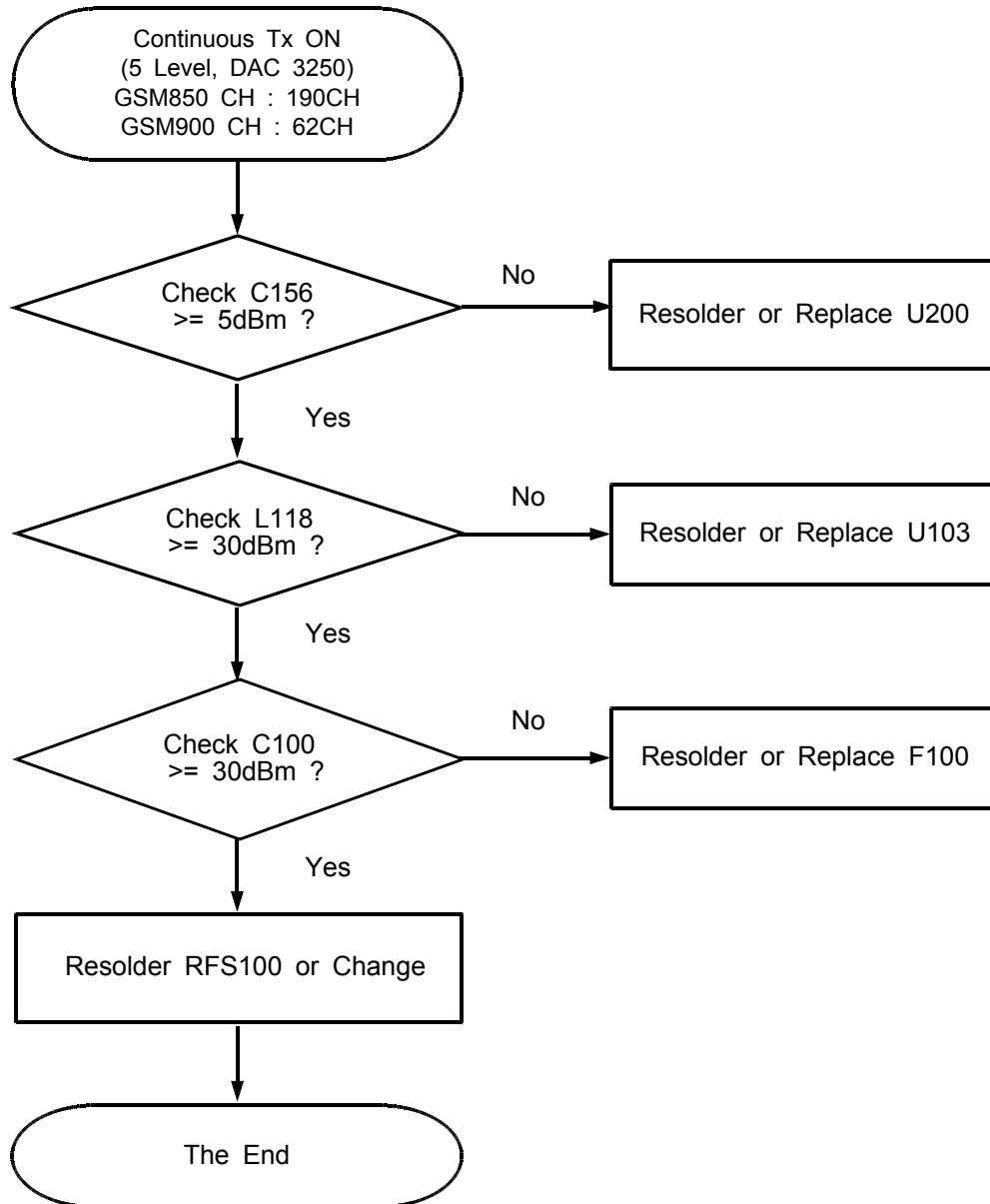






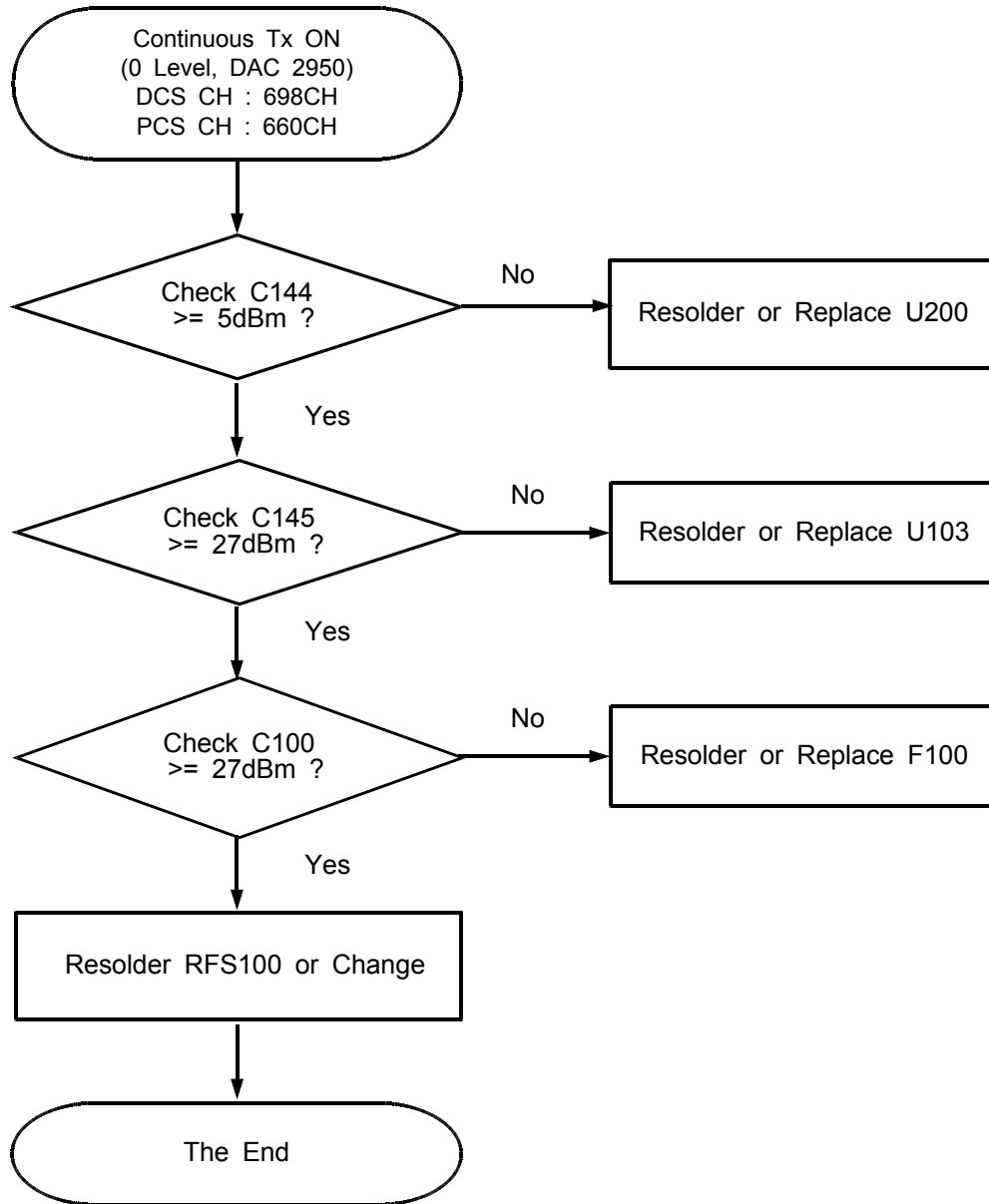
8-4-15. GSM850/900 TX

**If you check the tx chain, Check the not only RF Device but also resistor, inductor and capacitor.



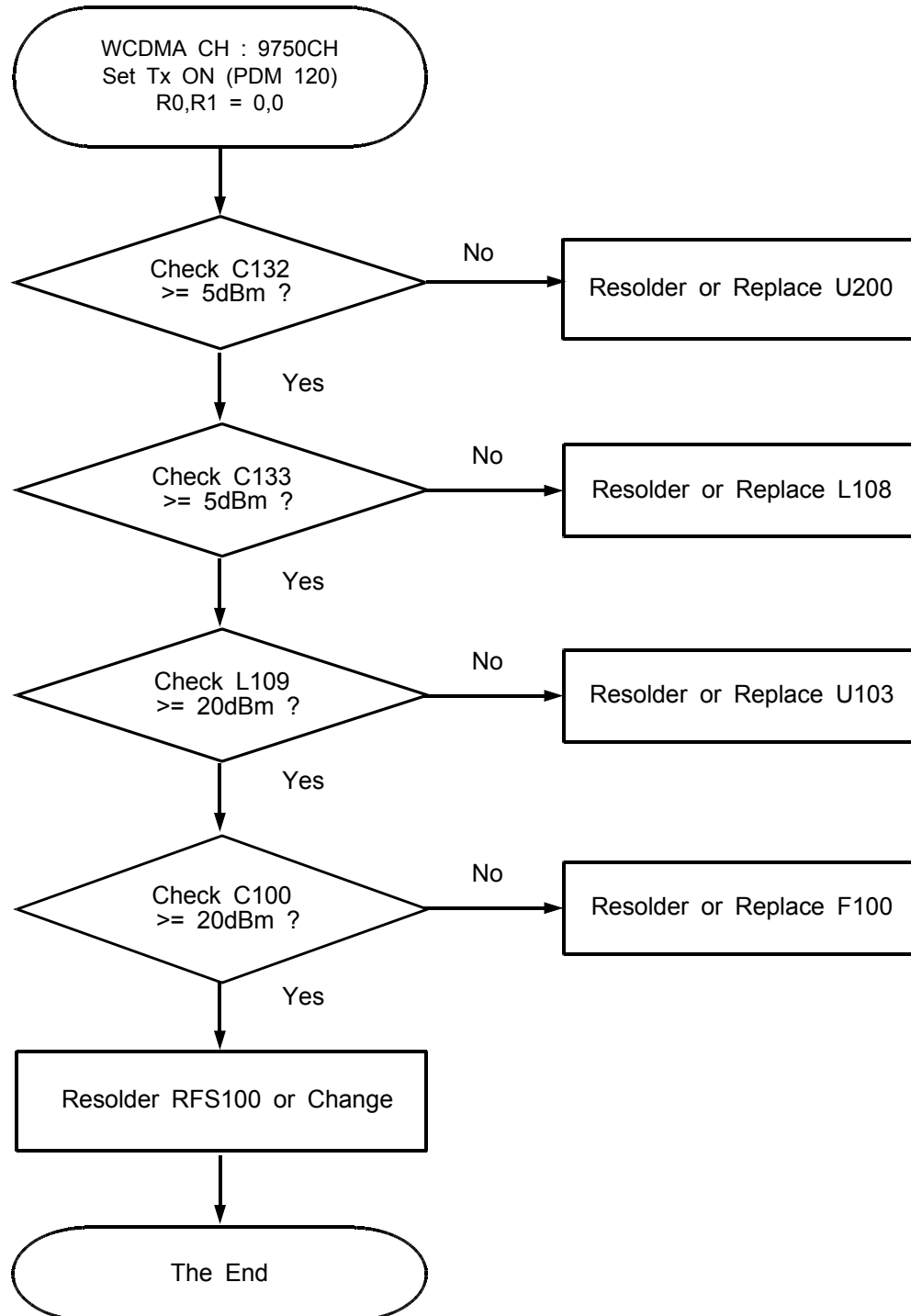
8-4-16. DCS/PCS TX

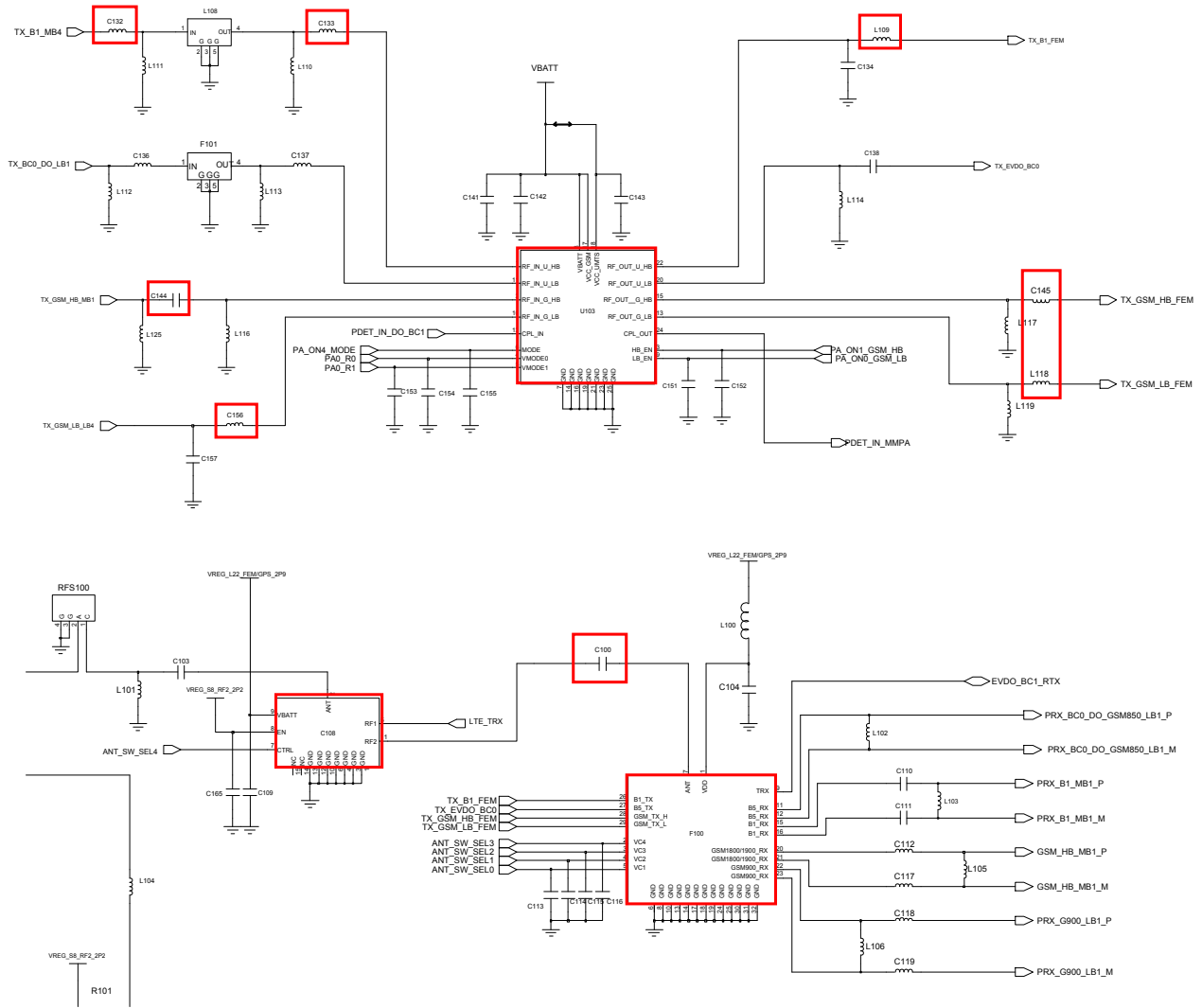
**If you check the tx chain, Check the not only RF Device but also resistor, inductor and capacitor.

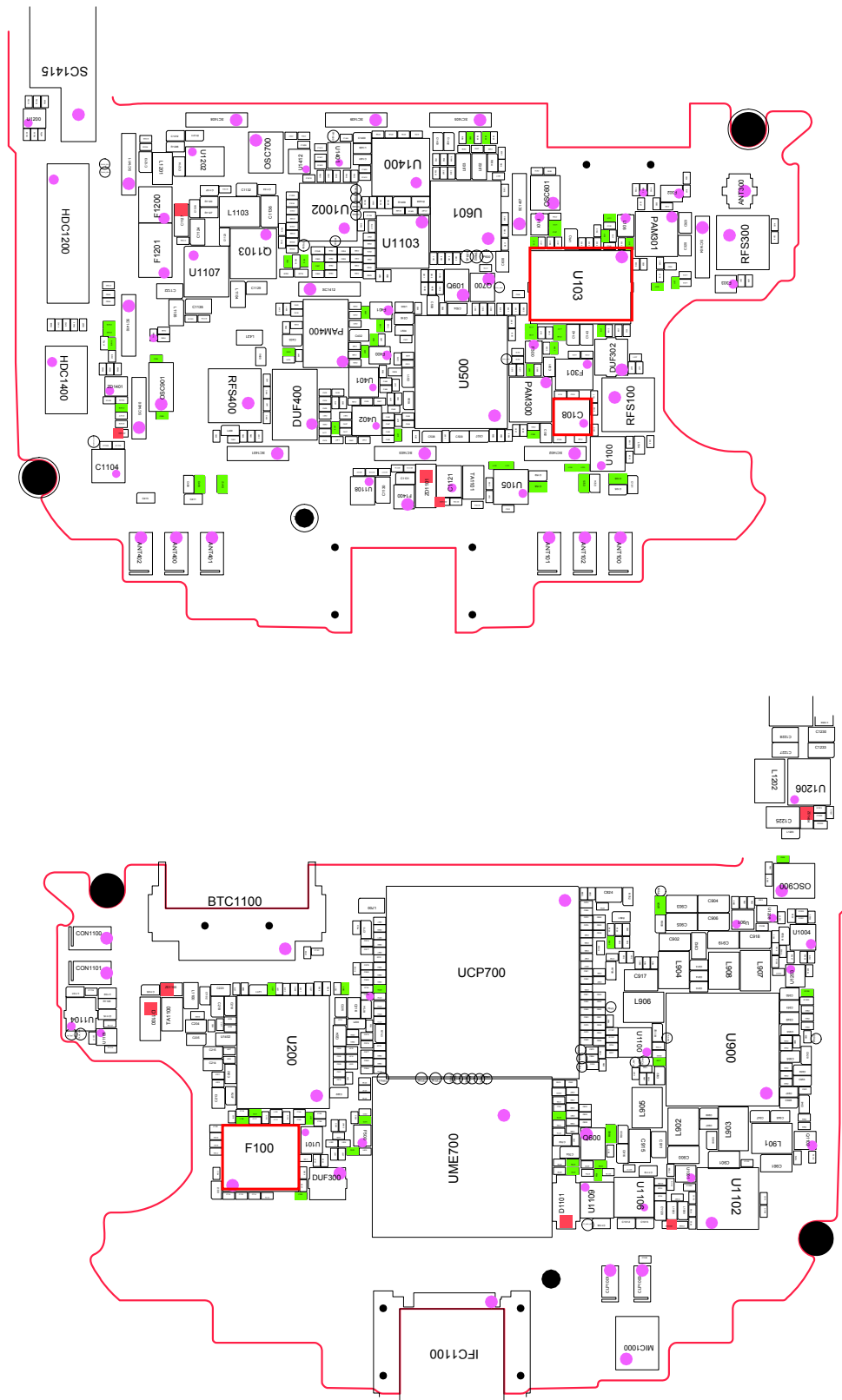


8-4-17. WCDMA Band1 TX

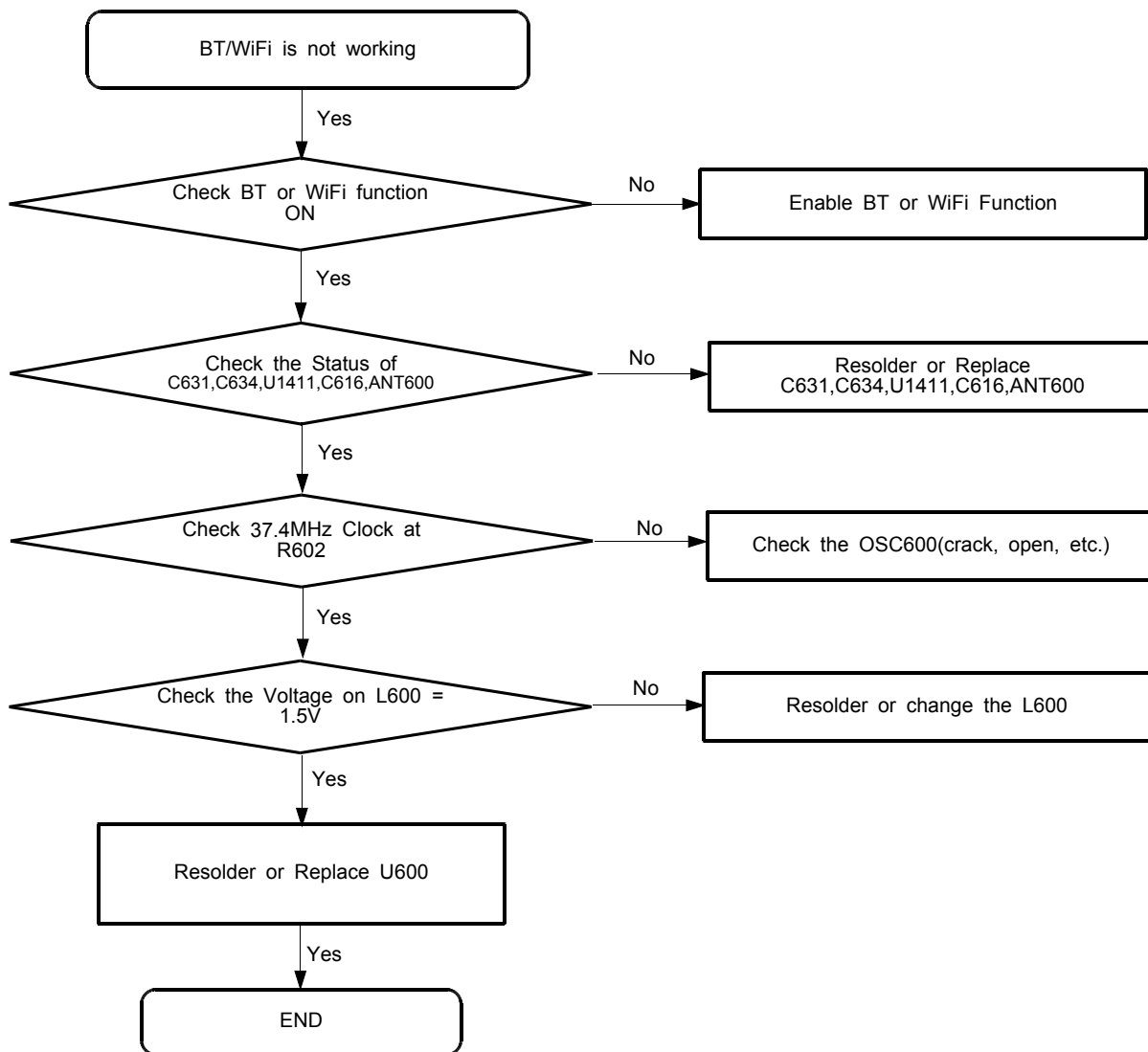
**If you check the tx chain, Check the not only RF Device but also resistor, inductor and capacitor.

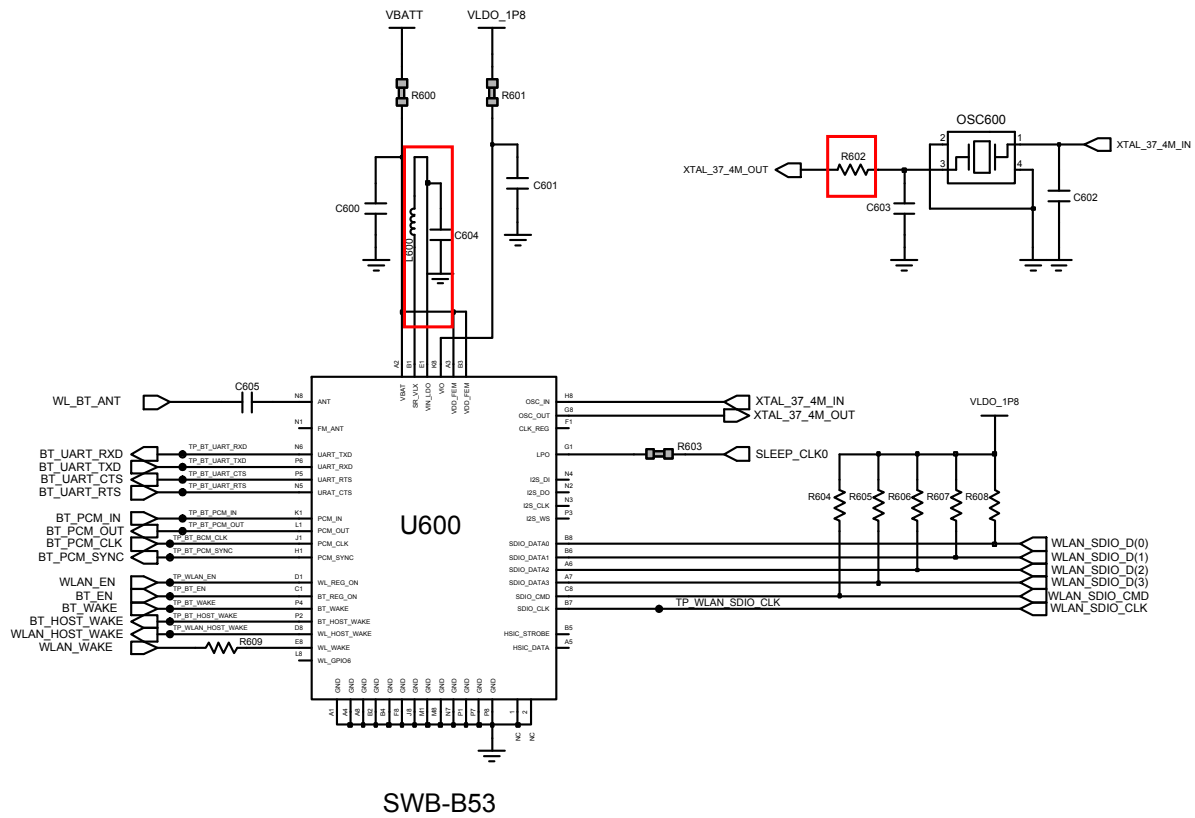




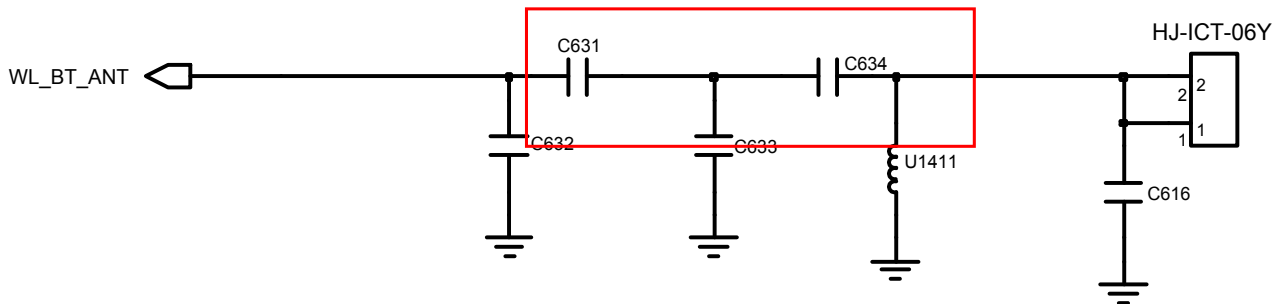


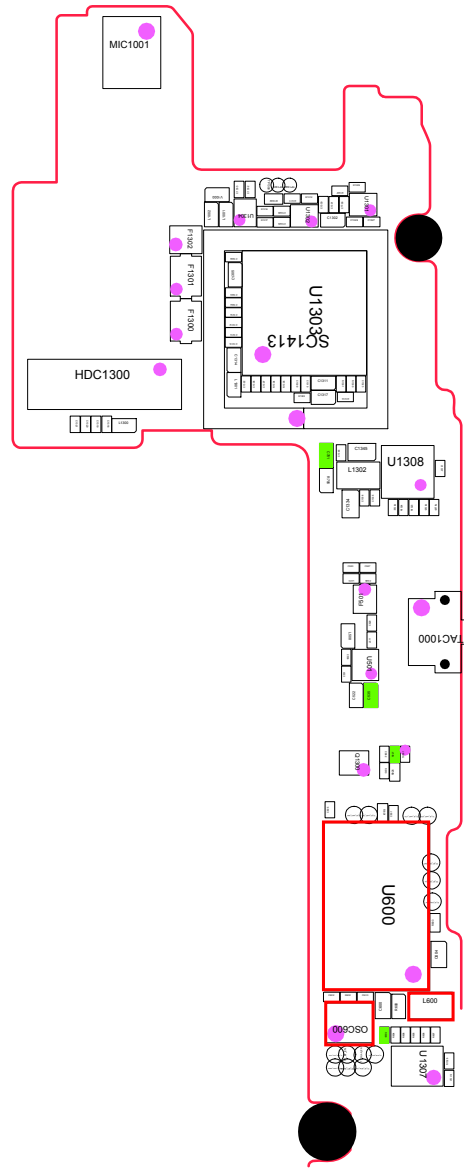
8-4-20. BT/WIFI



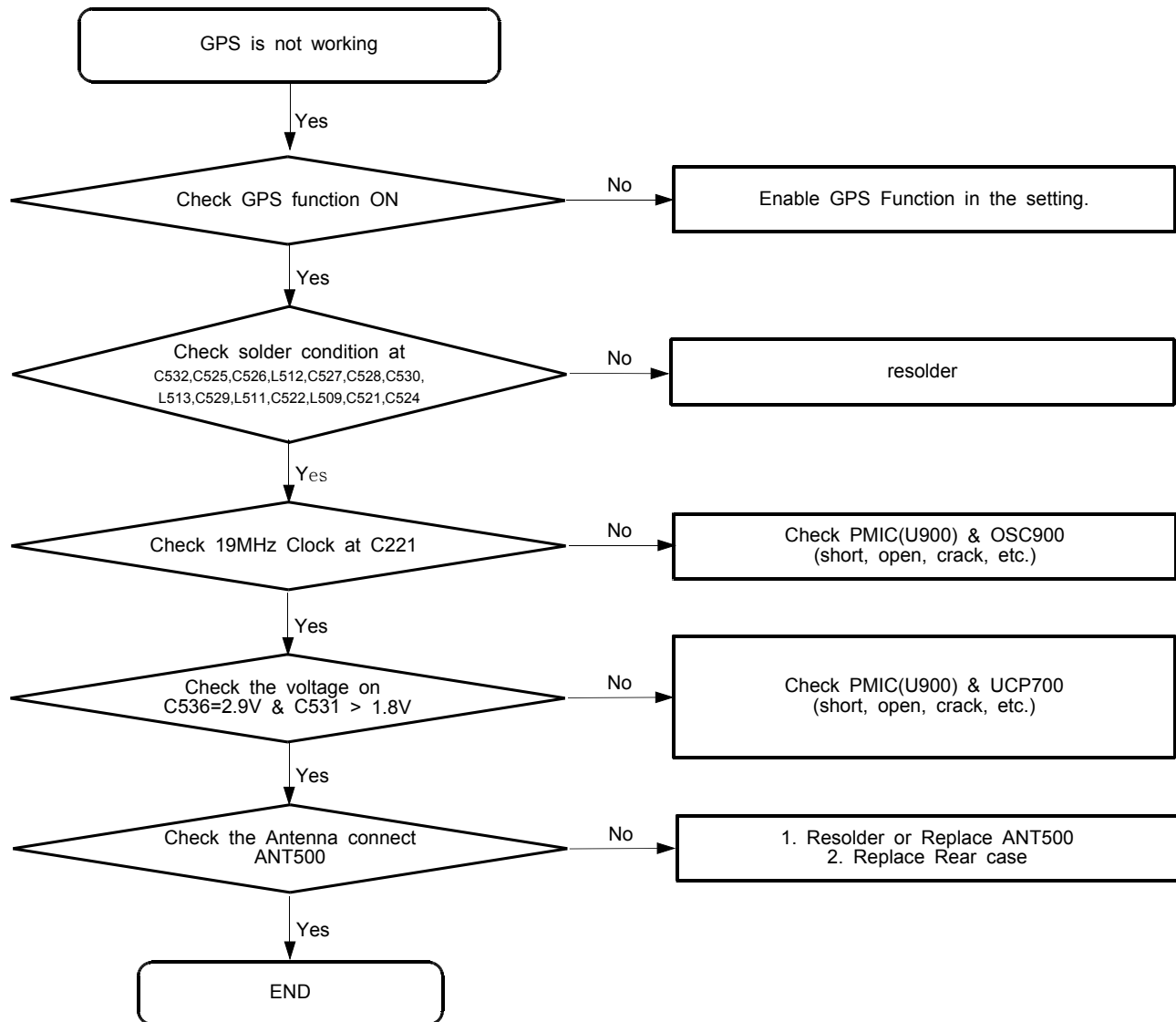


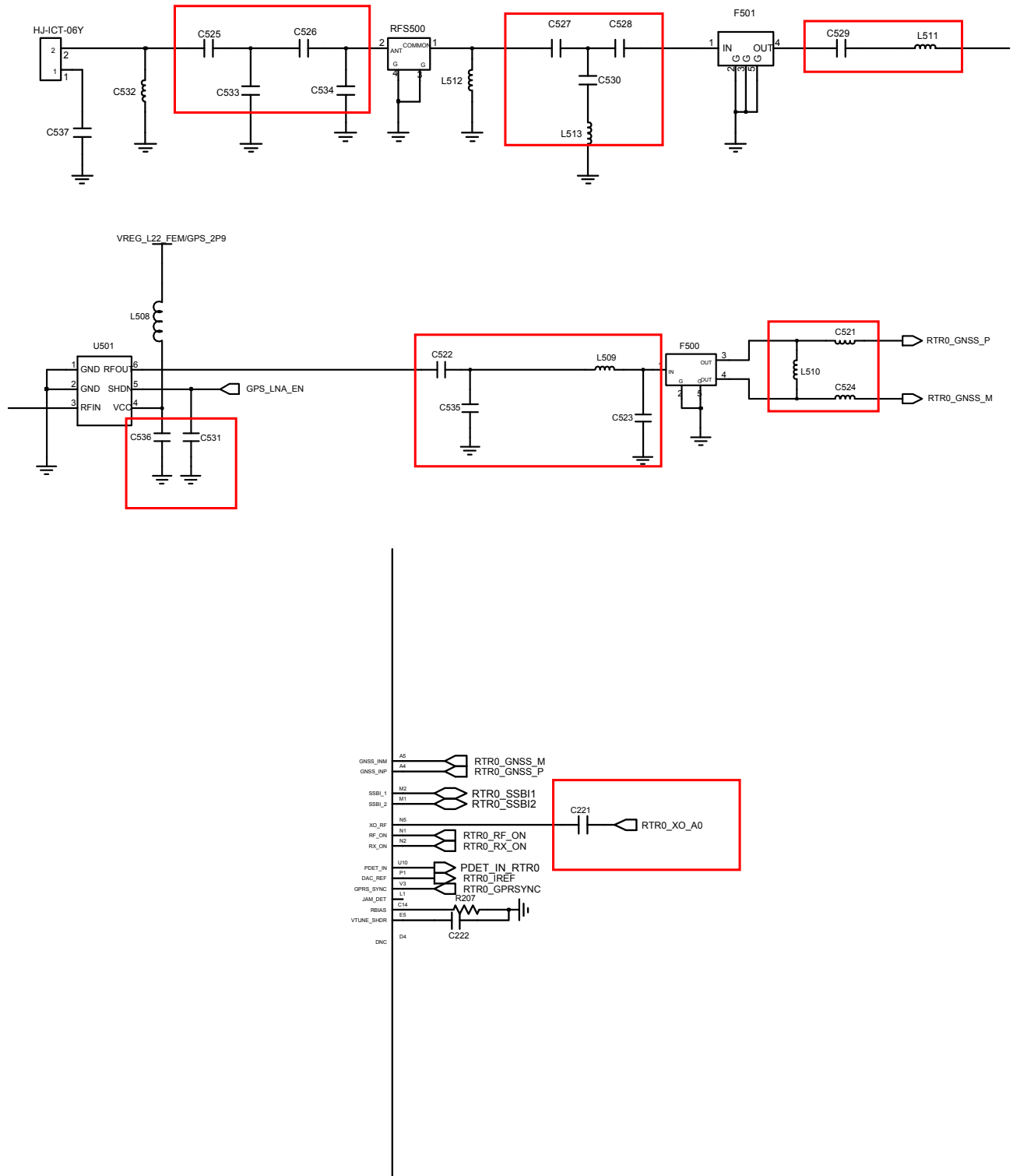
SWB-B53

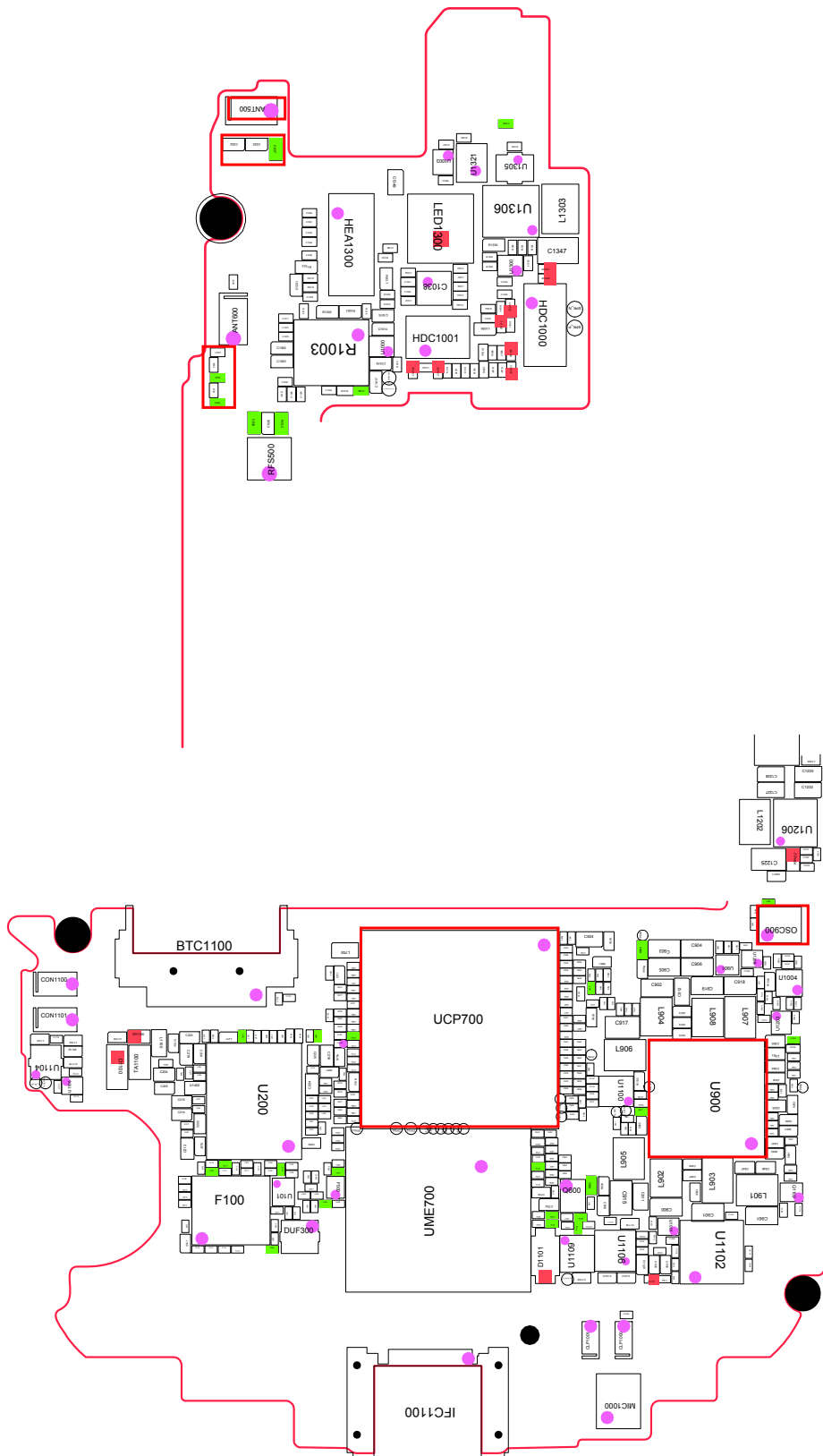




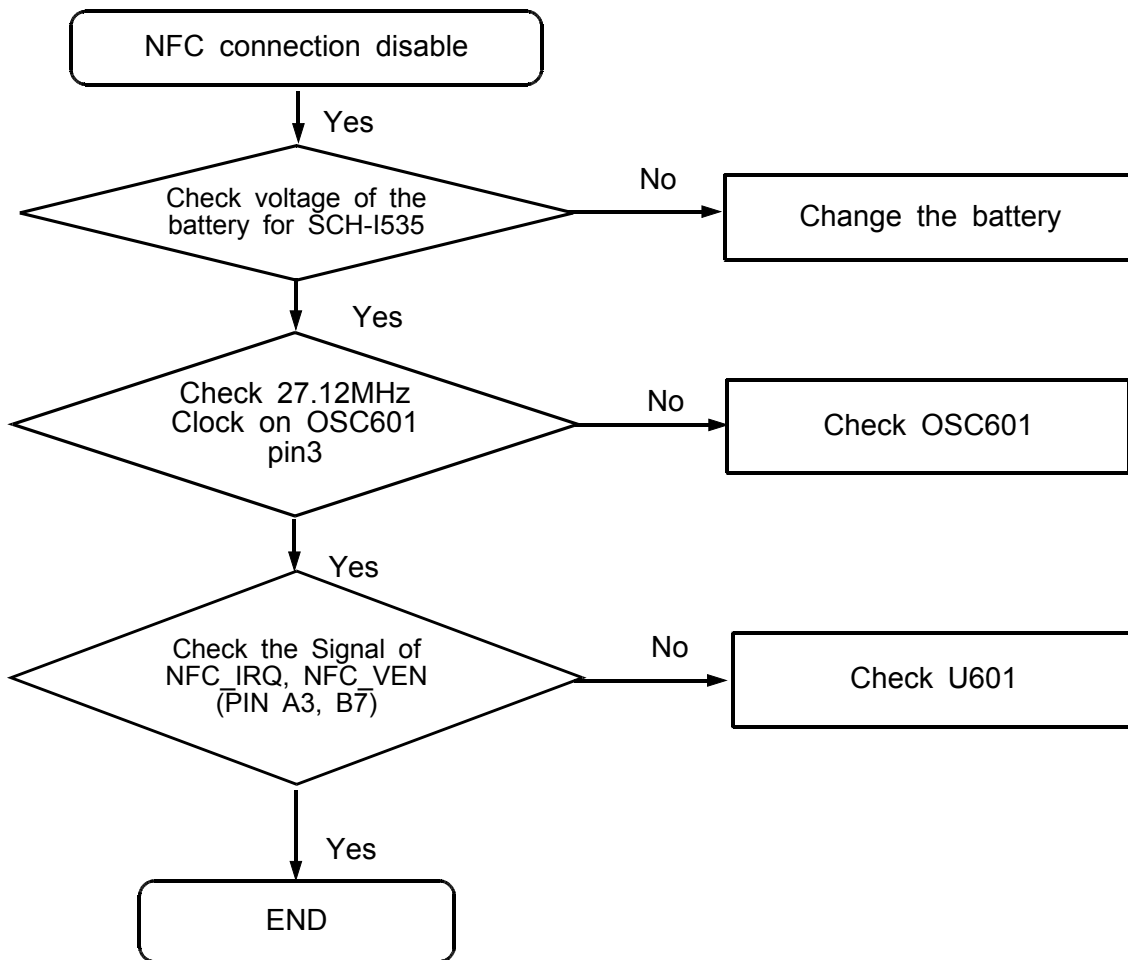
8-4-21. GPS

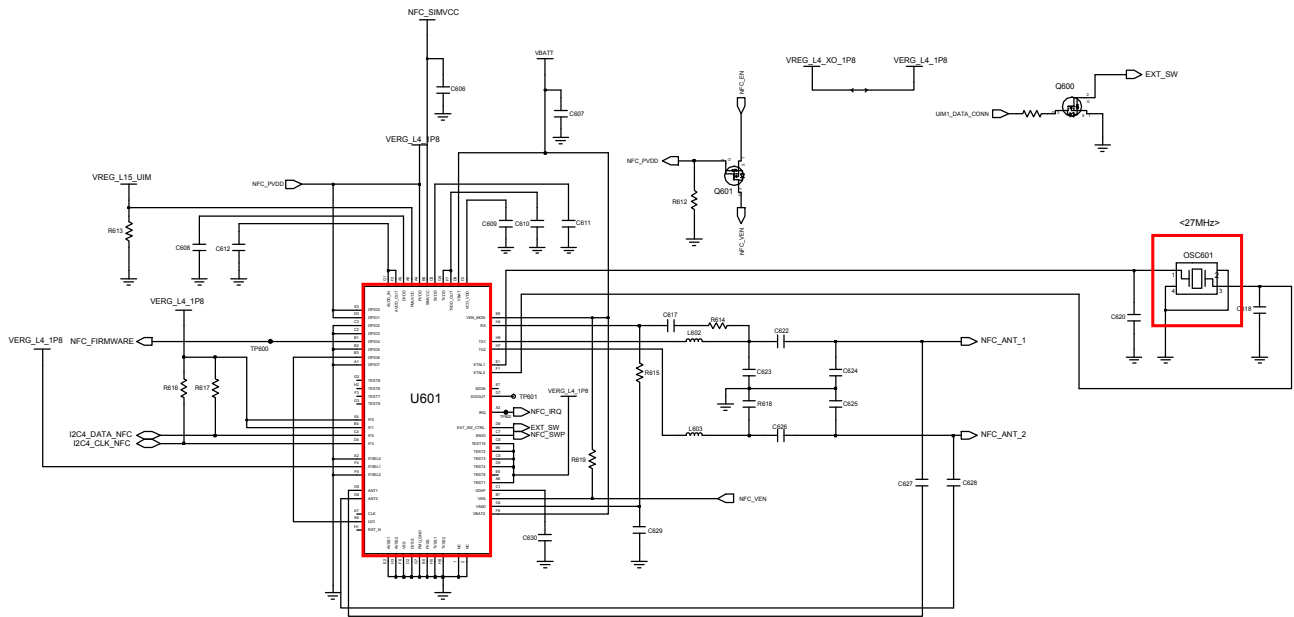






8-4-22. NFC





NFC



8-5. Service Schematics

- NC Point(Top View)

●: NC

	1	2	3	4	5	6	7	8	9	10	11	12	13	14			
A	○	○	○	○	○	○	○	○	○	○	○	○	○	○			
B	○	○	○	○	○	○	○	○	○	○	○	○	○	○			
C	○	○											○	○			
D	○	○	●	●	○	○	○	○	○	○	○						
E	○	●	●	○	○	○	○	○	○	○	○						
F	○	○									○	○					
G	●	○	●	○	○	○	○	○				○	○				
H	○	○	●	○	○	○	○	○				○	○				
J	○	○					○	○				○	○				
K	●	●	●	○	○			○	●				○	○			
L	○	○	●	○	○			○	○				○	○			
M	○	○			○	○			○	○				○	○		
N	○	○			○	○			○	○				○	○		
P	○	●			○	○			○	○				○	○		
R	○	○			○	○			○	○				○	○		
T	○	○			○	○			○	○				○	○		
U	○	○	○	○	○	○	●	○	○	○	●	○	○	○			
V	○	○	○	○	○	○	○	●	○	○	○	○	○	○			

U200

	1	2	3	4	5	6	7
A	○	○	○	○	○	●	●
B	○	○	○	○	○	○	○
C	○	○	○	○	○	○	○
D	○	○	○	○	○	○	○
E	○	○	○	○	○	○	○
F	○	○	○	○	○	○	○
G	○	○	○	○	○	○	○

U1400

	1	2	3	4	5	6	7	8	9	10	11	12	13	14	15	16	17	18	19	20	21	22	23	24	25	26	27	
A	●	○	○	○	○	○	○	○	○	○	○	○	○	○	○	○	○	○	○	○	○	○	○	○	○	○	○	●
B	○	○	○	○	○	○	○	○	○	○	○	○	○	○	○	○	○	○	○	○	○	○	○	○	○	○	○	○
C	○	○																										
D	○	○																										
E	○	○	○																									
F	○	○																										
G	○	○	○																									
H	○	○																										
J	○	○	○																									
K	○	○																										
L	○	○	○																									
M	○	○																										
N	○	○	○																									
P	○	○																										
R	○	○	○																									
T	○	○																										
U	○	○	○																									
V	○	○																										
W	○	○	○																									
Y	○	○																										
AA	○	○	○																									
AB	○	○																										
AC	○	○	○																									
AD	○	○																										
AE	○	○																										
AF	○	○	○	○	○	○	○	○	○	○	○	○	○	○	○	○	○	○	○	○	○	○	○	○	○	○	○	
AG	●	○	○	○	○	○	○	○	○	○	○	○	○	○	○	○	○	○	○	○	○	○	○	○	○	○	○	●

UCP700 (Top)

	1	2	3	4	5	6	7	8	9	10	11	12	13	14
A	●	●	○	○	○	○	○	●	●	●	●	●	●	●
B	●	○	○	○	○	○	●	●	●	●	●	●	●	●
C	●	○	●	○	○	○	●	●	●	●	●	●	●	●
D	●	●	●	●								●	●	●
E	●	●	●		○	○	○	○	○	○		●	●	●
F	●	●	●		○					○		●	●	●
G	●	●	○		○					○		●	●	●
H	●	●	●		○					○		●	●	●
J	●	●	●		○					○		●	●	●
K	●	●	●		○	○	○	○	○	○		●	●	●
L	●	●	●									●	●	●
M	●	●	●	○	○	○	●	●	●	●	●	●	●	●
N	●	○	●	○	○	●	●	●	●	●	●	●	●	●
P	●	●	○	○	○	○	○	●	●	○	●	●	●	●

UME700

	1	2	3	4	5	6	7	8	9	10	11	12	13	14	15	16	17	18	
A	●	○	○	○	○	○	○	○	○	○	○	○	○	○	○	○	○	○	
B	●	○	○	○	○	○	○	○	○	○	○	○	○	○	○	○	○	○	
C	○	○														○	○	○	
D	○	○		○	○	○	○	○	○	○	○	○	○	○	○			○	○
E	○	○		○	○	○	○	○	○	○	○	○	○	○	○			○	○
F	○	○		○	○	○							○	○	○			○	○
G	○	○		○	○		○	○	○	○	○	○		○	○			○	○
H	○	○		○	○		○	○	○	○	○	○		○	○			○	○
J	○	○		○	○		○	○	○	○	○	○		○	○			○	○
K	○	○		○	○		○	○	○	○	○	○		○	○			○	○
L	○	○		○	○		○	○	○	○	○	○		○	○			○	○
M	○	○		○	○		○	○	○	○	○	○		○	○			○	○
N	○	○		○	○	○							○	○	○			○	○
P	○	○		○	○	○	○	○	○	○	○	○	○	○	○			○	○
R	○	○		○	○	○	○	○	○	○	○	○	○	○	○			○	○
T	○	○	○													○	○	○	
U	○	○	○	○	○	○	○	○	○	○	○	○	○	○	○	○	○	○	
V	○	○	○	○	○	○	○	○	○	○	○	○	○	○	○	○	○	○	

U900

www.s-manuals.com