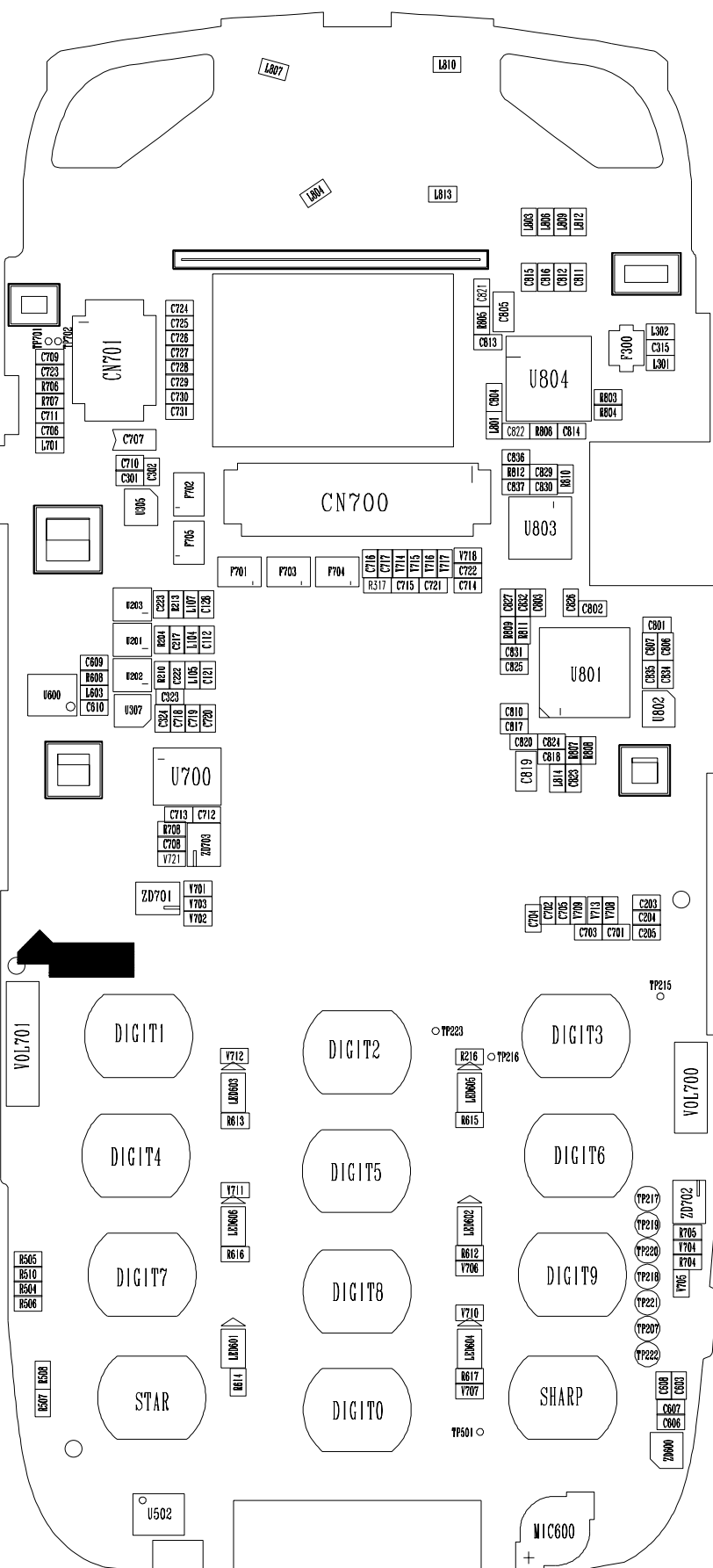
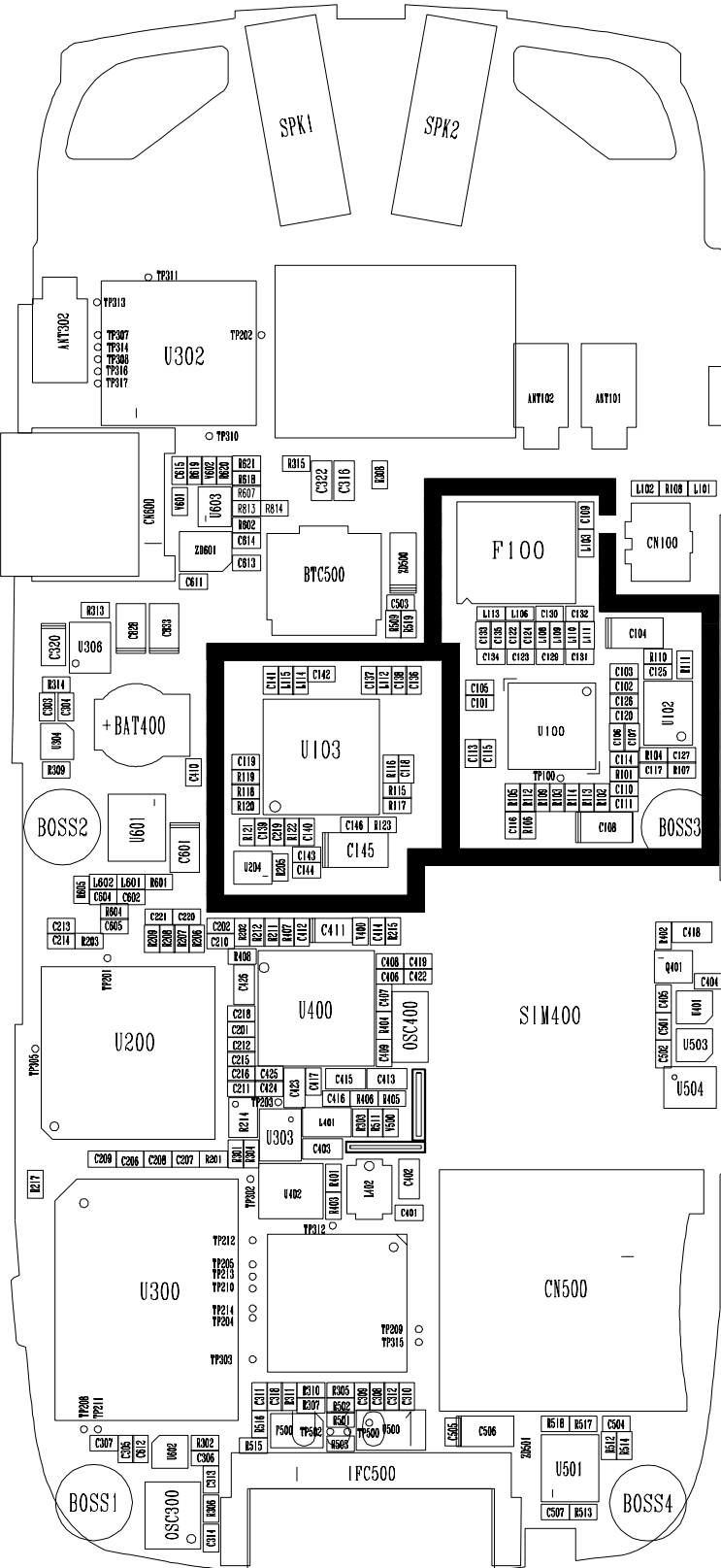
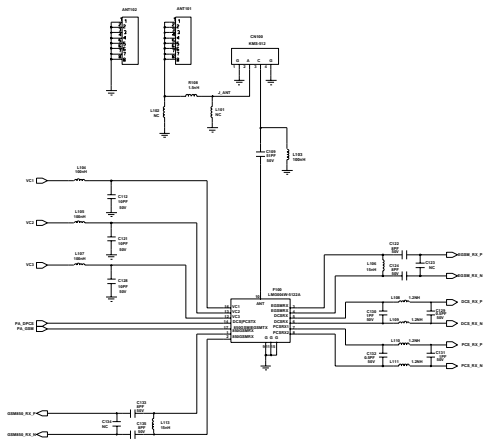


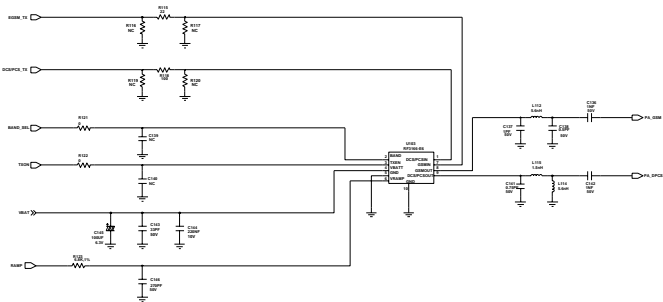
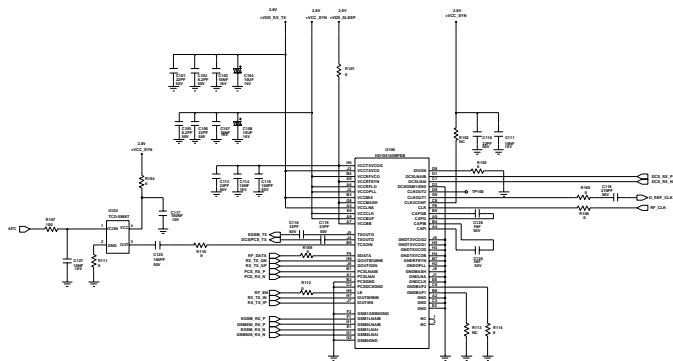
SGH-D600 REV2.7 ASSY (COMP)

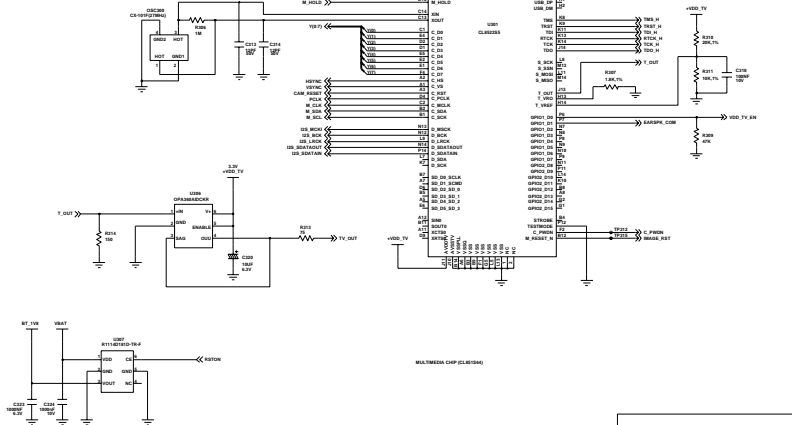
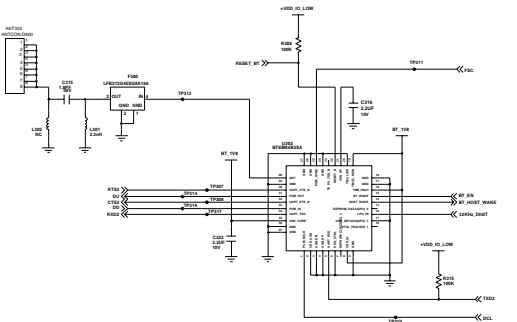
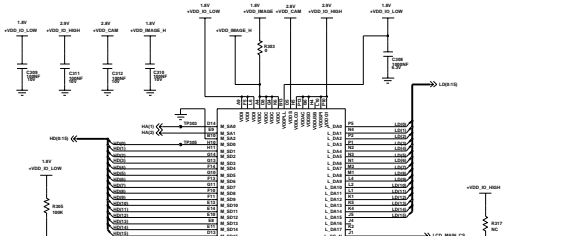
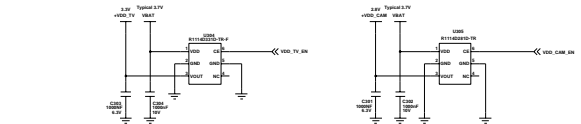
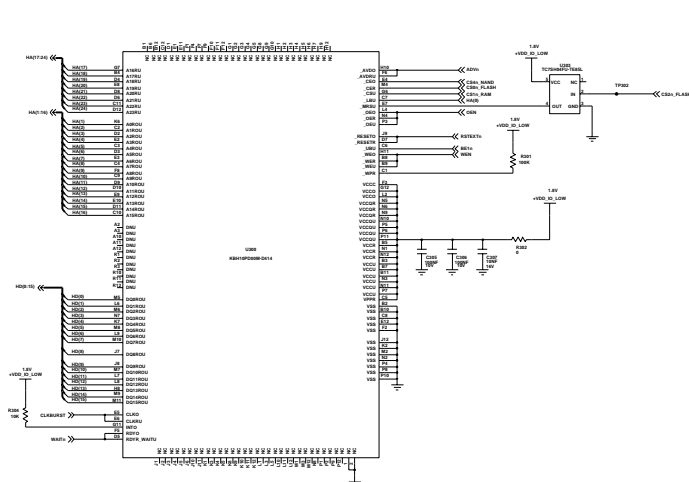




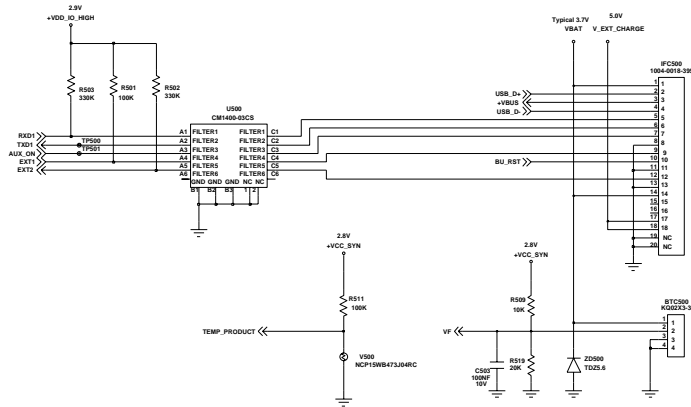


	VCC1	VCC2	VCC3
RF01	H	L	L
RF02	L	H	L
RF03	L	L	L
RF04	L	L	L
RF05	L	L	H

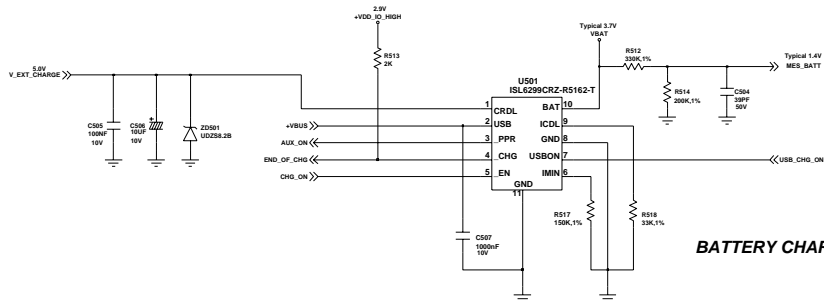




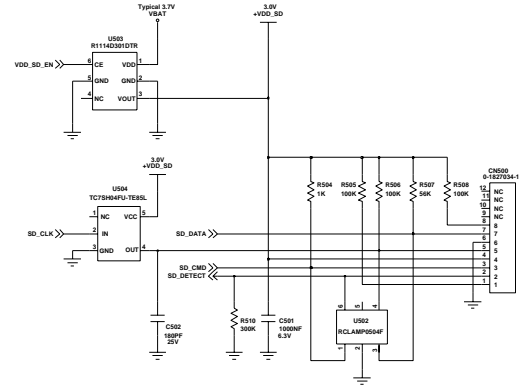
Digital External Interface



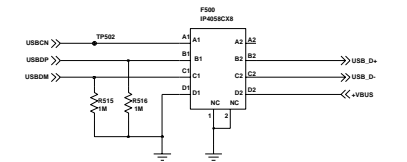
THERMISTER

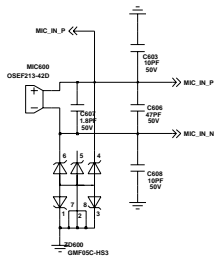


BATTERY CHARGING

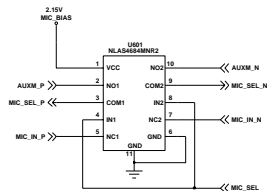


T-FLASH

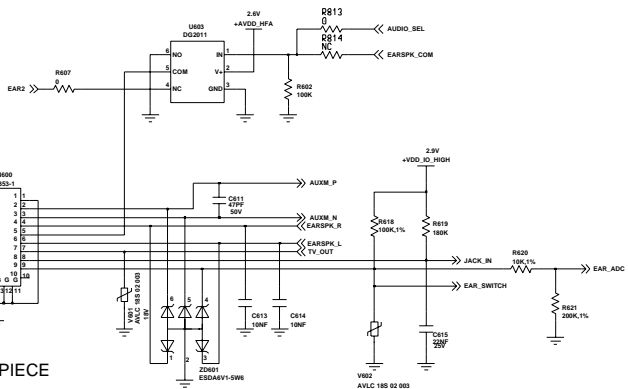
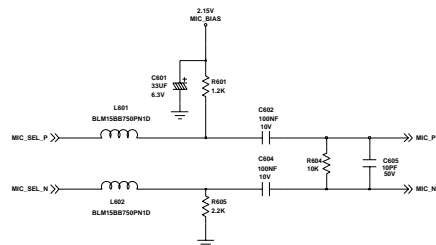




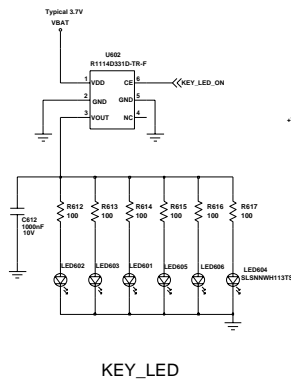
MICROPHONE



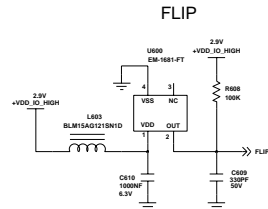
MIC_SEL	
H	EARPHONE MIC
L	MAIN MIC



EARPIECE



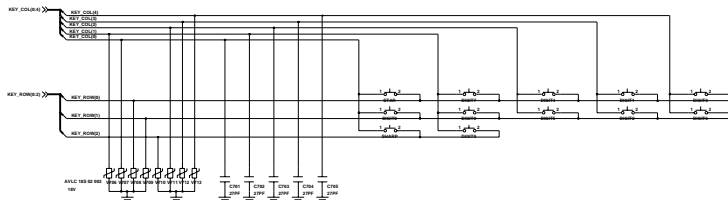
KEY_LED



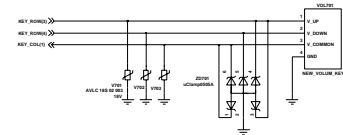
FLIP

FLIP	
H	SLIDE UP
L	SLIDE DOWN

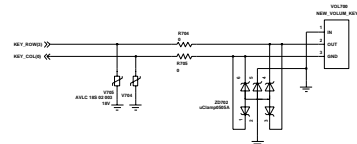
KEY_MAP



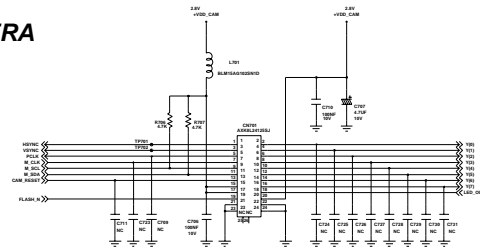
VOLUME_KEY



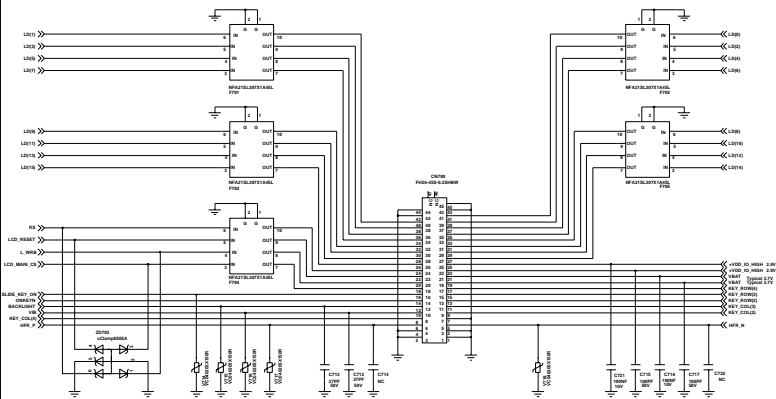
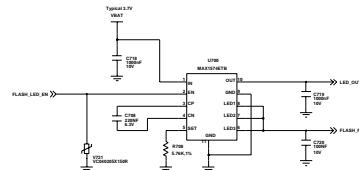
CAMERA_KEY



CAMERA



CAM FLASH



B'D CONNECTOR

www.s-manuals.com