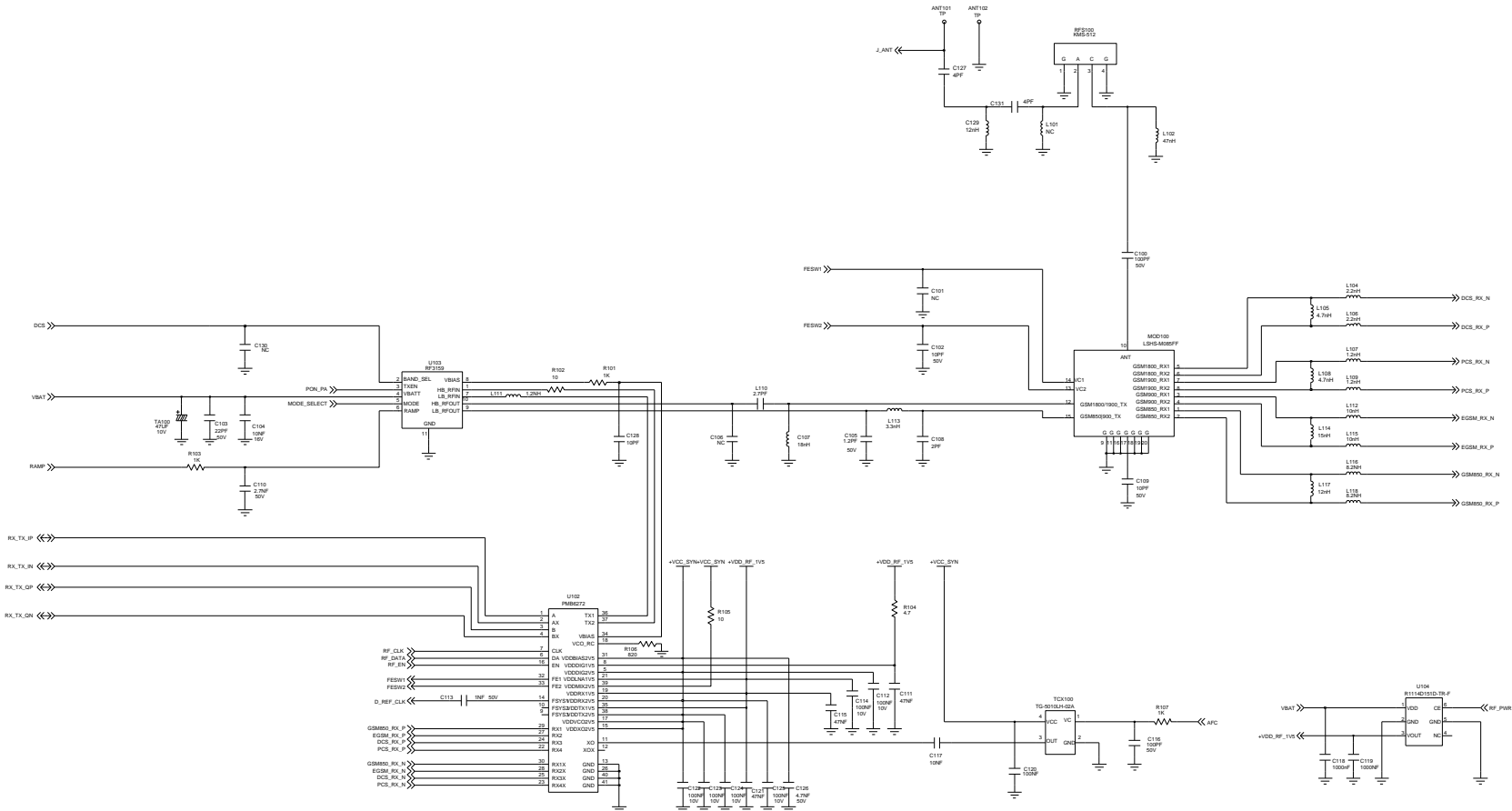
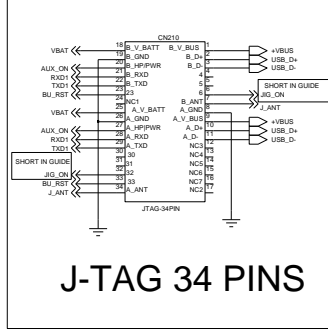
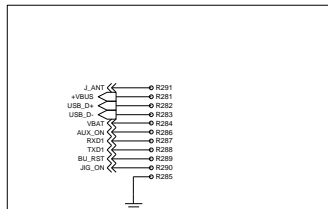
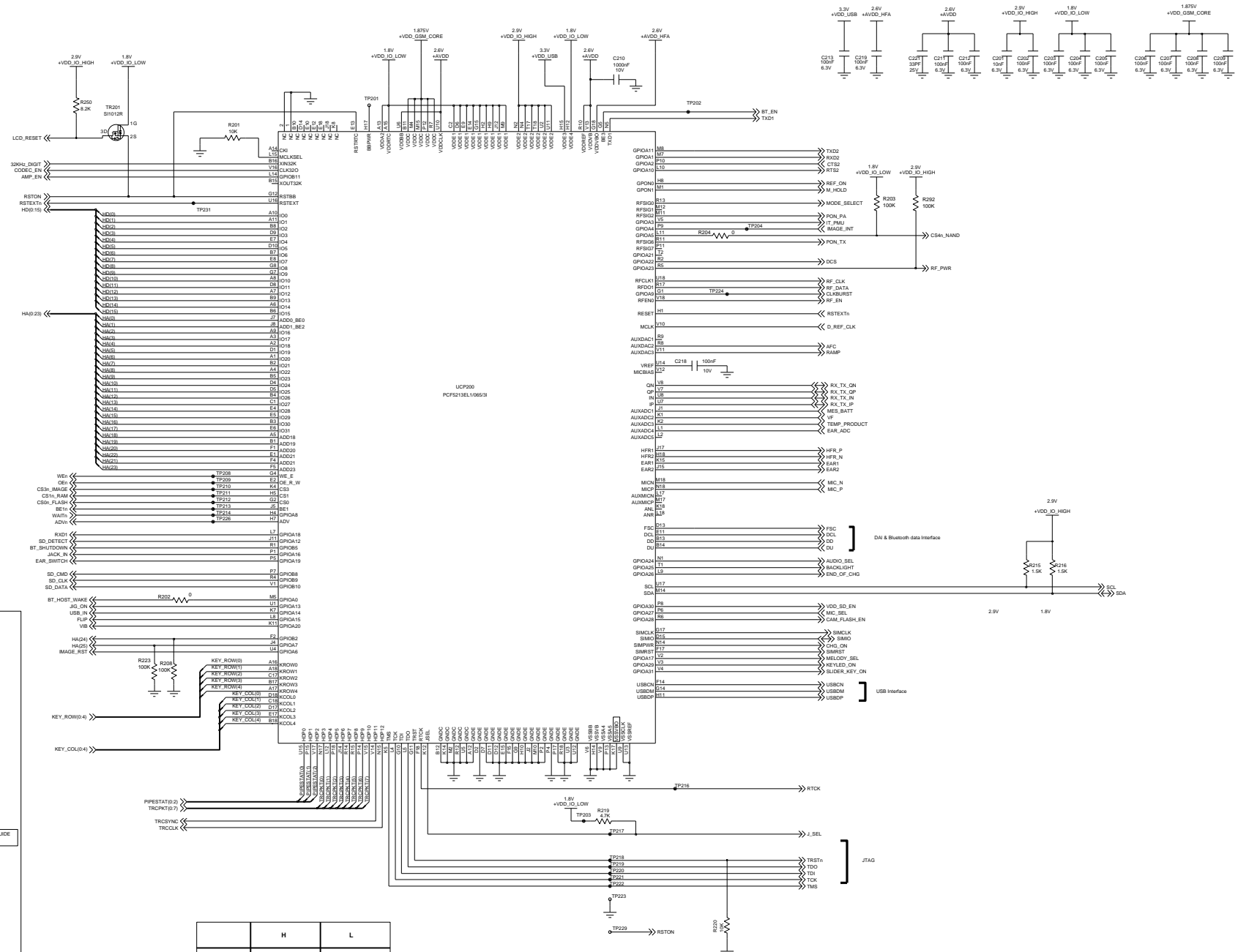


GSM ANTENNA

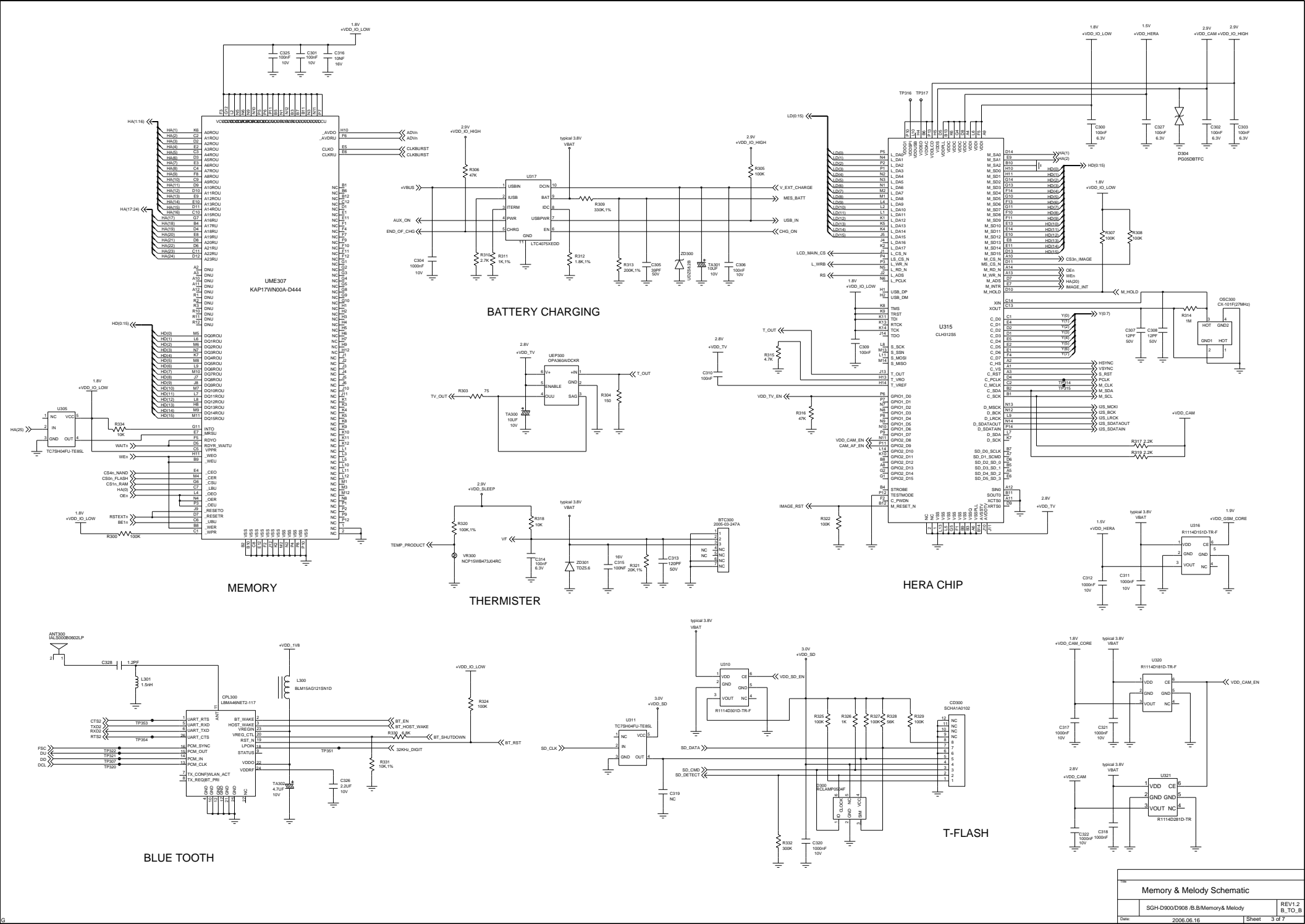


| | VCI | VCC |
|-----------------------|-----|-----|
| Tx(GSM850/900) | H | L |
| Tx(DCS1800/1900) | L | H |
| Rx(850/900/1800/1900) | L | L |



J-TAG 34 PINS

| | H | L |
|-------|-------|--------|
| J_SEL | ARM9 | DSP |
| TRST | TRACE | NORMAL |



MEMORY

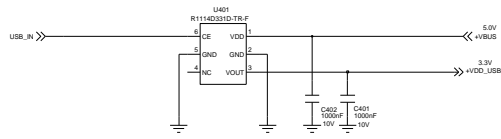
THERMISTOR

HERA CHIP

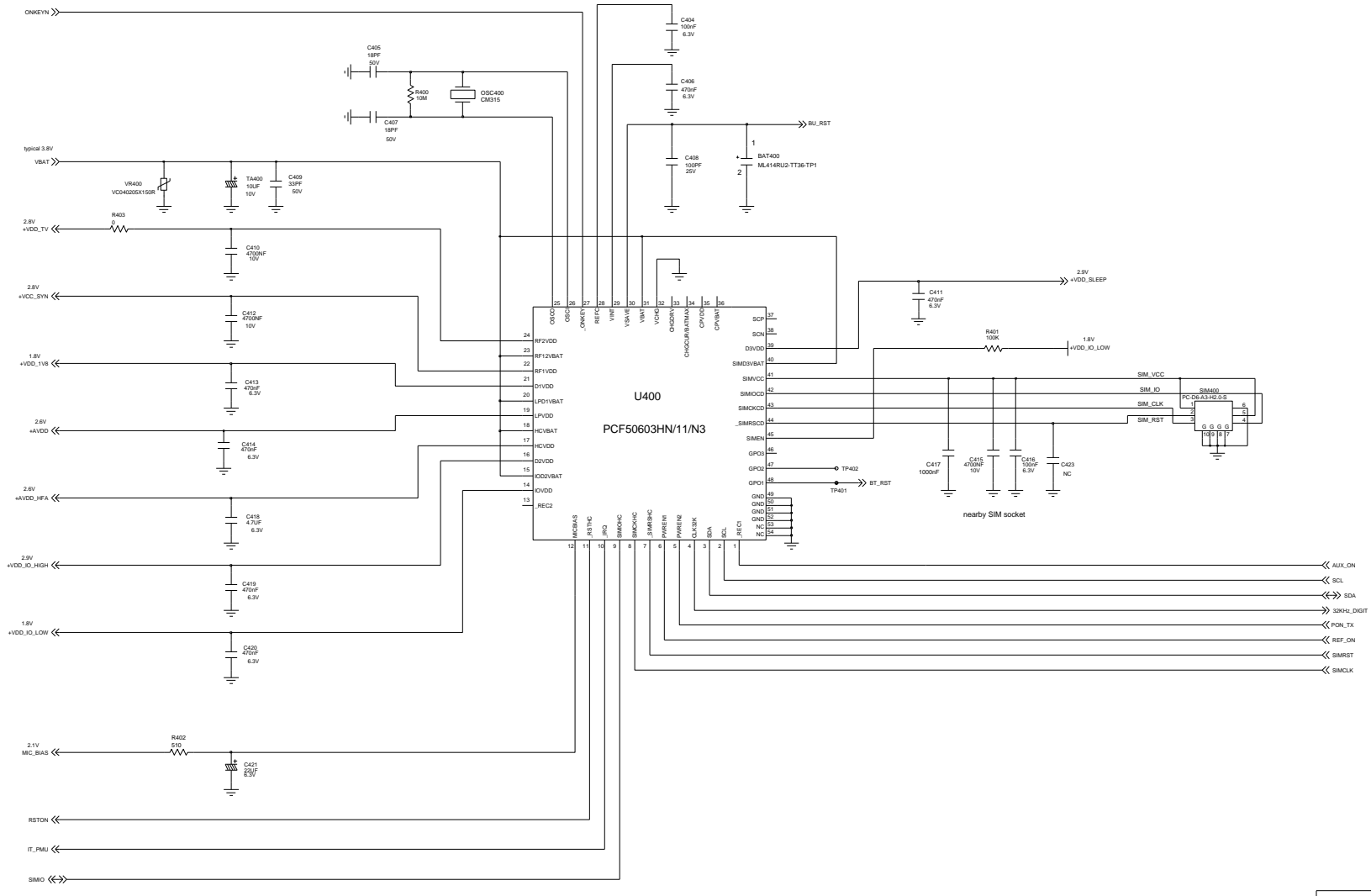
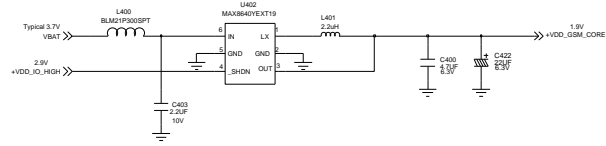
T-FLASH

BLUE TOOTH

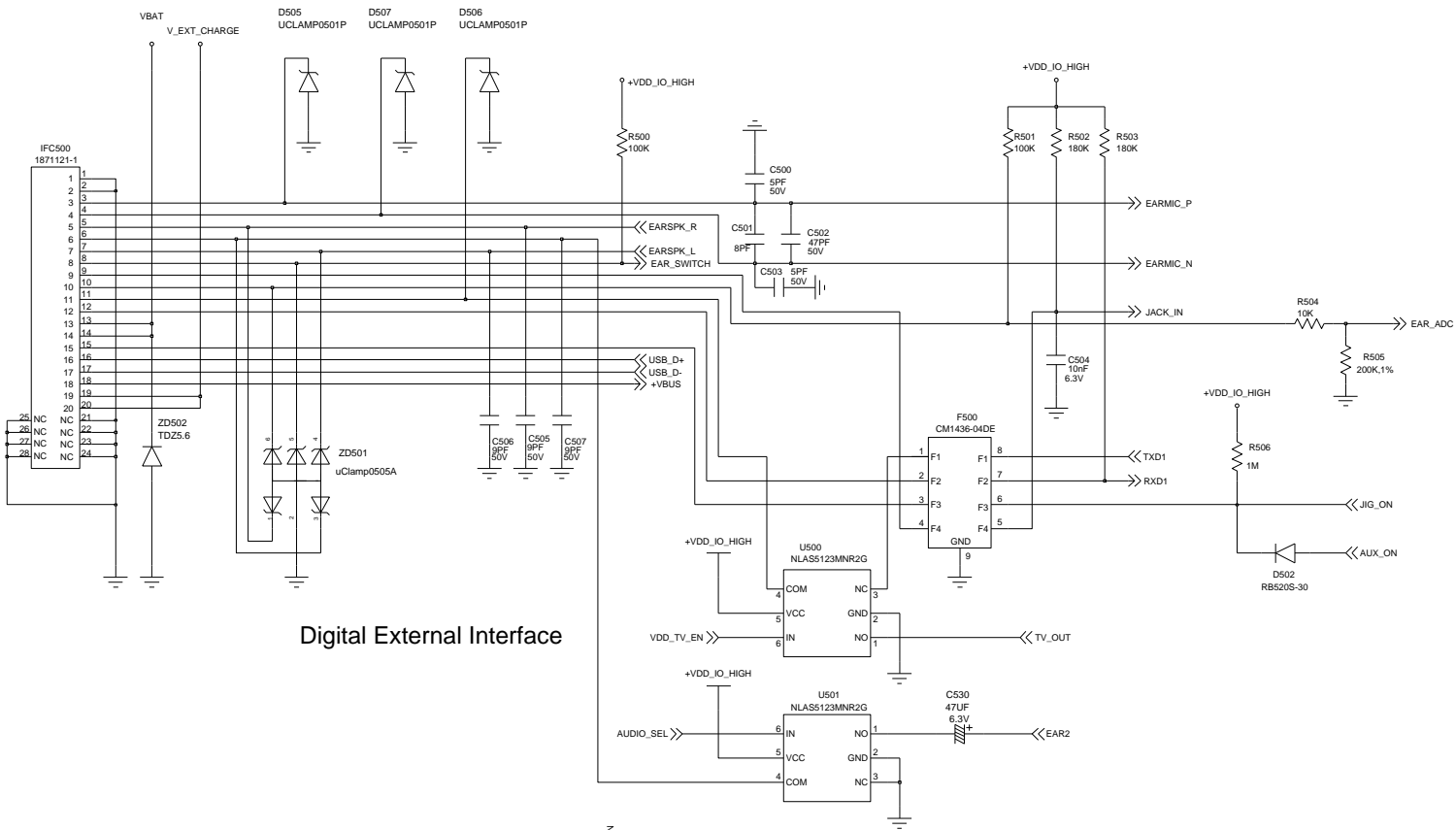
LDO



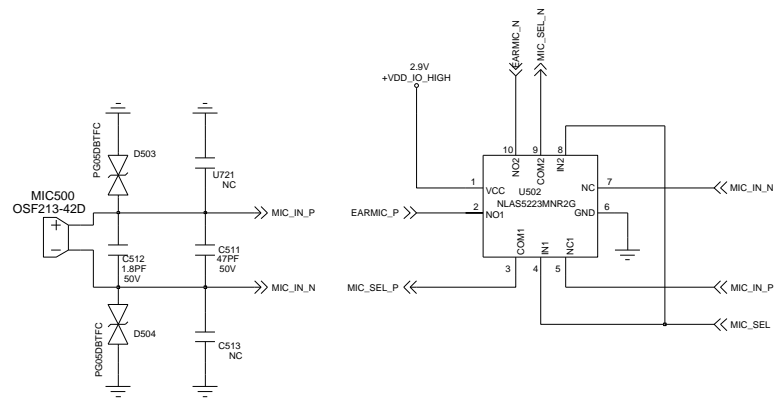
DC/DC Down Converter(1.9Volt)



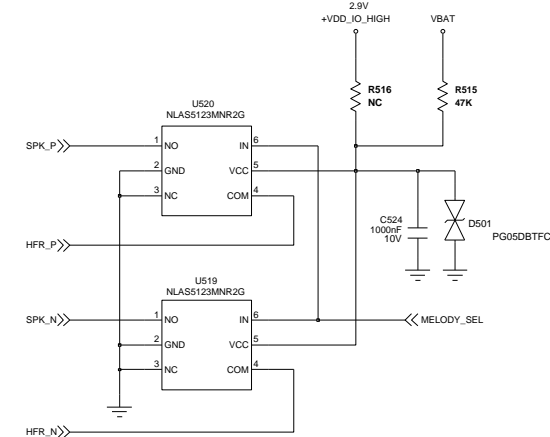
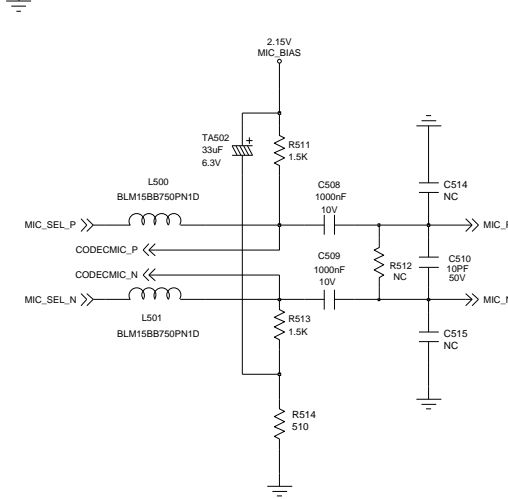
| | |
|--------------|-------|
| +VDD_IO_HIGH | 2.9V |
| +VDD_IO_LOW | 1.8V |
| +VDD_RX_TX | 2.8V |
| +VCC_SYN | 2.8V |
| +VDD | 2.8V |
| +VDD_HFA | 2.8V |
| MIC_BIAS | 2.1V |
| VDD_11B | 1.9V |
| VDD_GSM_CORE | 1.95V |
| VDD_CAM | 2.9V |
| | |
| | |



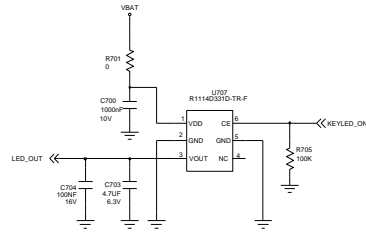
Digital External Interface



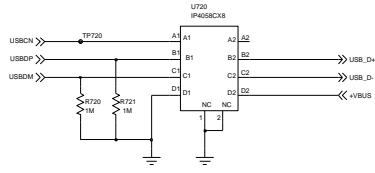
MICROWIRE



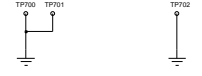
| | | |
|-----------------------------------|-----------------------------------|--------------|
| Title | | |
| IF Connector & Charging Schematic | | |
| Size | Document Number | REV 1.2 |
| A3 | SGH-D900/D+908 /B.B/IF & CHARGING | B_TO_B |
| Date: | 2006.06.16 | Sheet 5 of 7 |



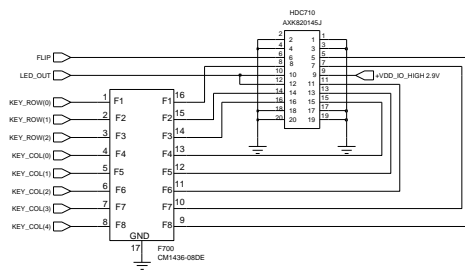
LED



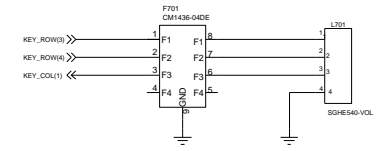
USB INTERFACE



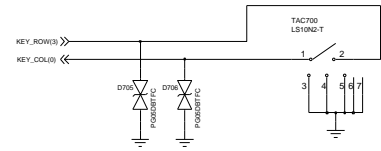
PCB_HOLE



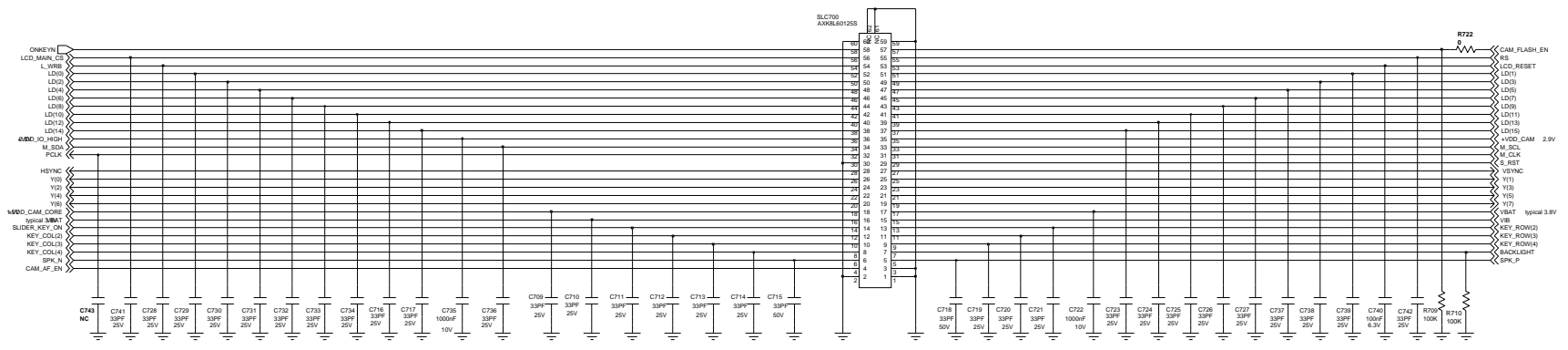
KEY_CONNECTOR



VOLUME KEY



CAMERA_KEY



LCD_CONNECTOR

