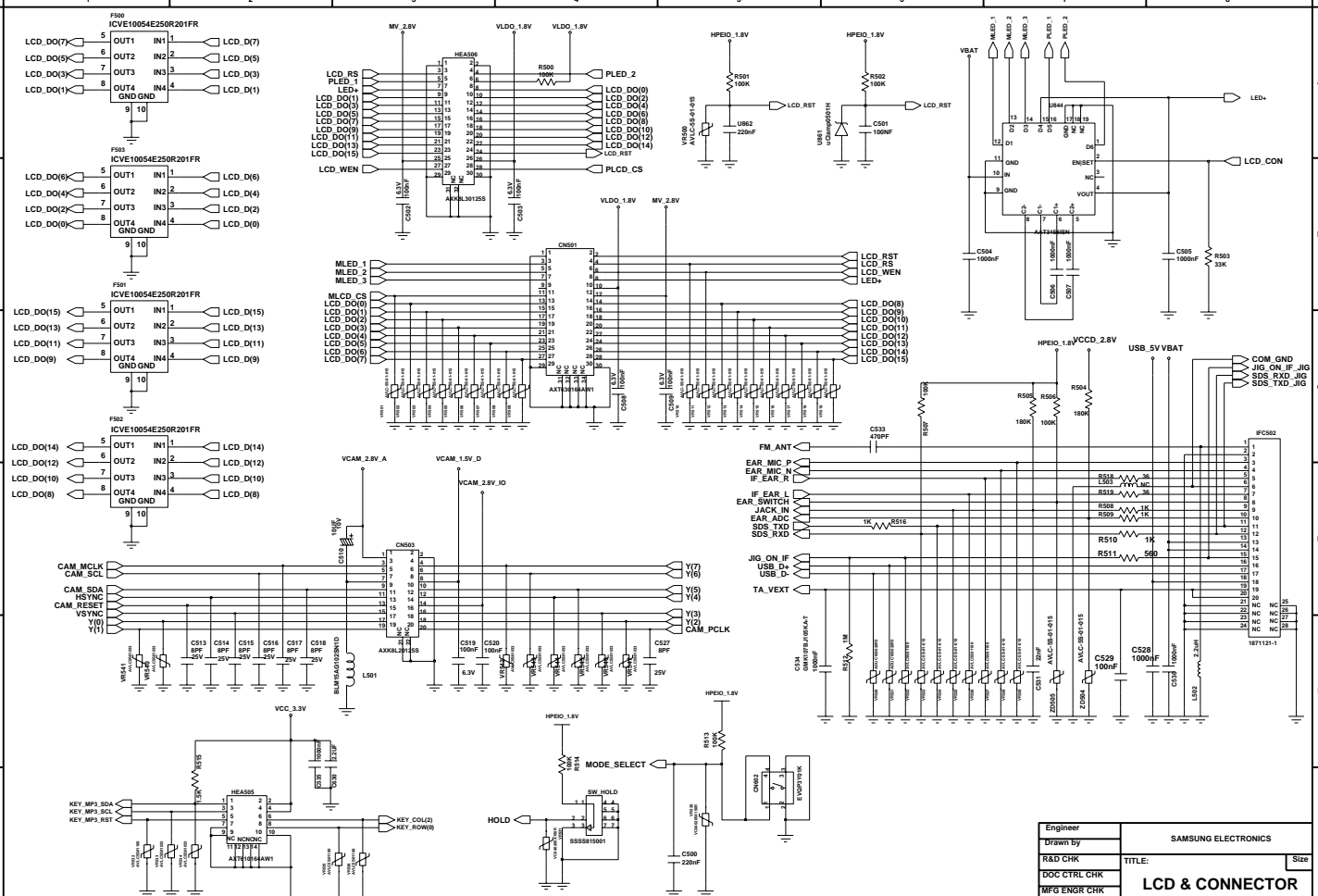
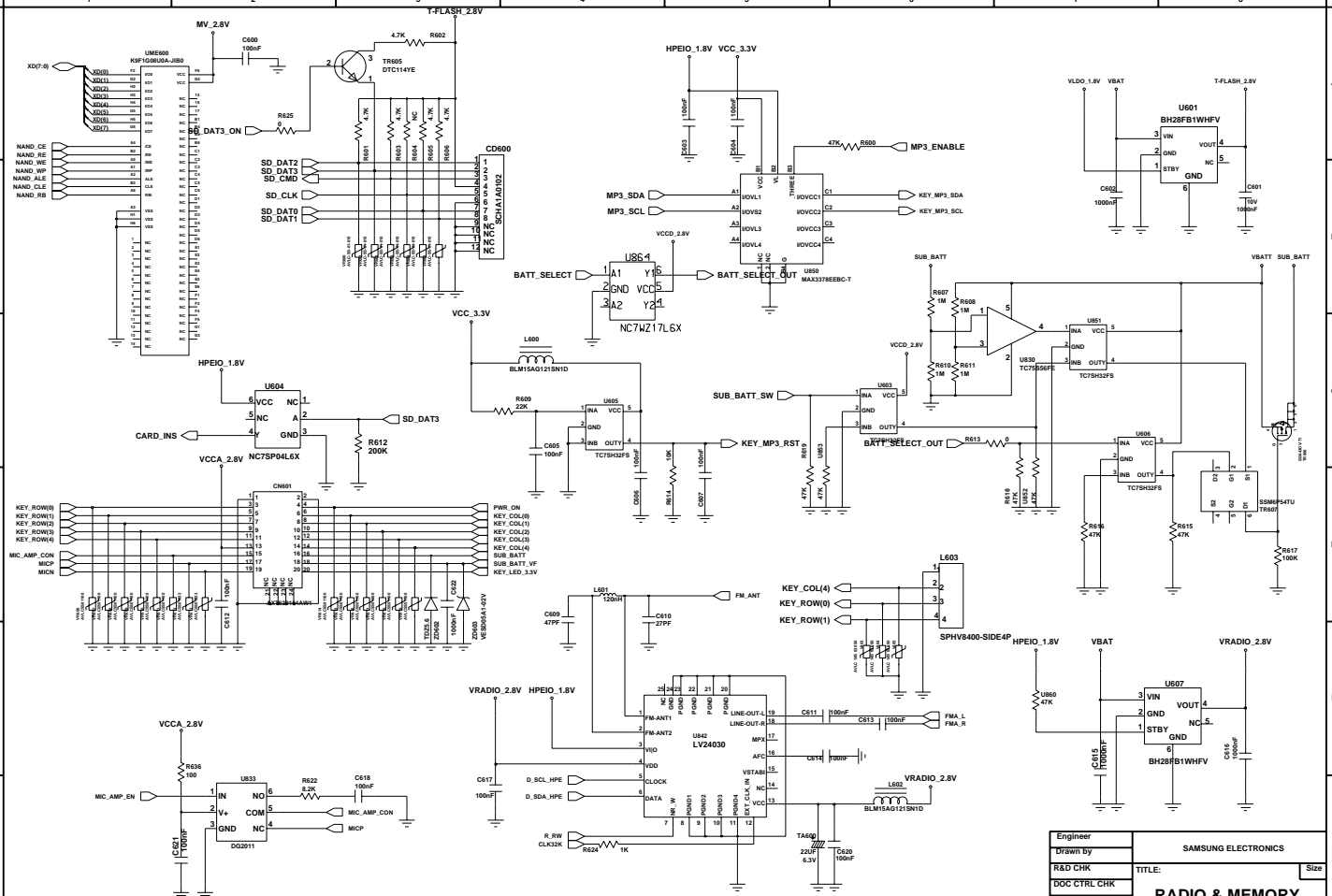


PROJECT	SERIALS ELECTRONICS	
DESIGNER	USA	DATE
REVISION	REV 1.0	DATE
DESCRIPTION	SERIALS ELECTRONICS	
DATE	10/10/2010	DATE
DESIGNER	USA	DATE



Engineer		SAMSUNG ELECTRONICS	
Drawn by		TITLE:	Size
RDG CHK		LCD & CONNECTOR	
DDG CTRL CHK			
MFG ENGR CHK			
Changed by	Date Changed	Time Changed	QA CHK
REV 1.0	Drawing Number	Sheet 5 of 6	



Engineer	SAMSUNG ELECTRONICS	
Drawn by	TITLE:	
R&D CHK	Doc CTRL CHK	
MP3 ENGR CHK	RADIO & MEMORY	
Changed by	Date Changed	Time Changed
QA CHK	REV 1.0	Drawing Number
		Sheet 6 of 6

