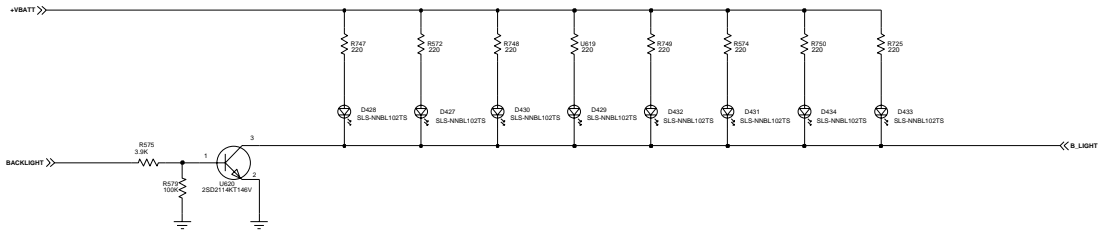
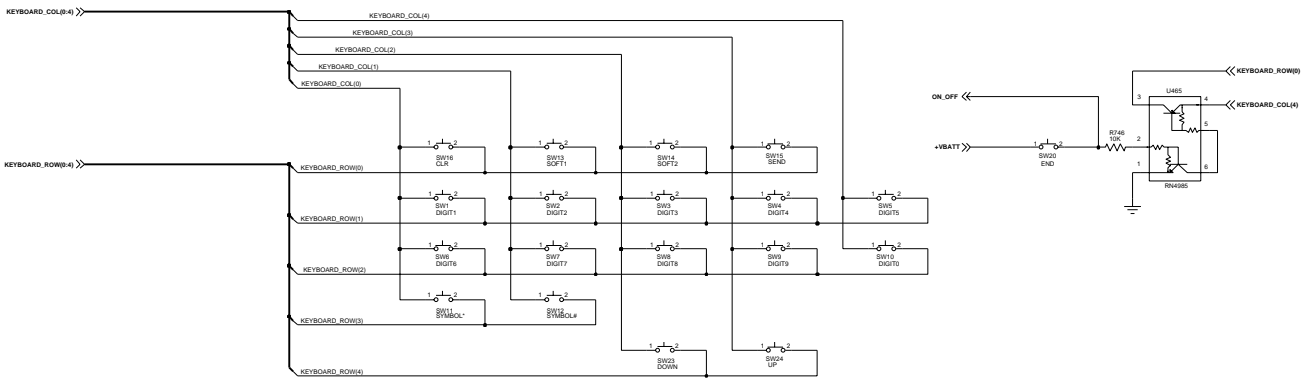
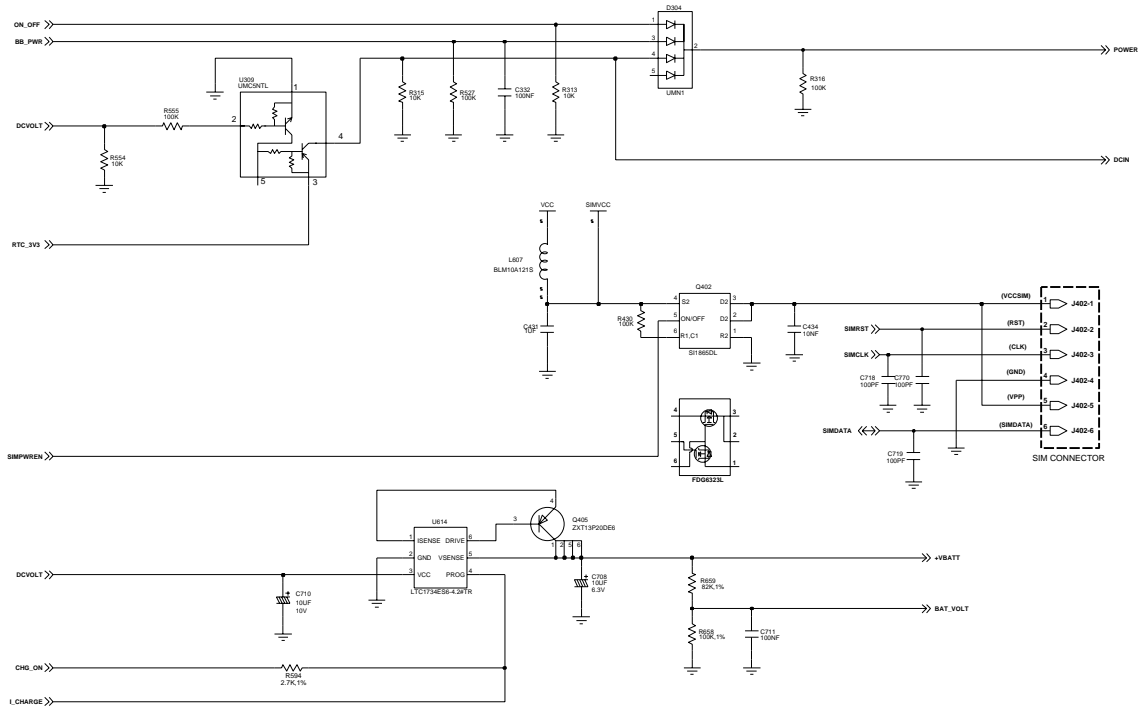


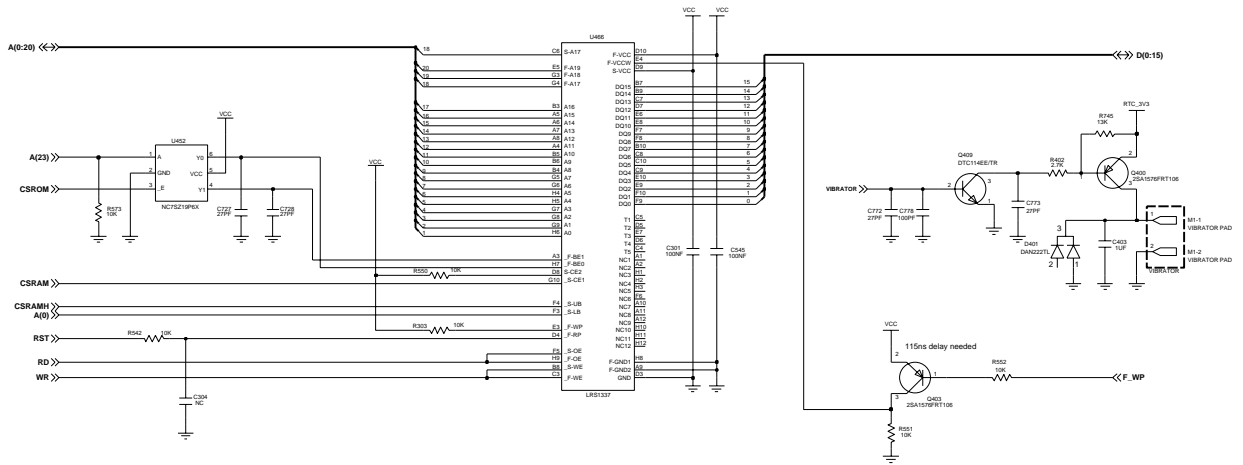
Title			
LCD Schematic			
Doc No.	Document Number	Rev	
A1	SAMSUNG/NS00B.BA.LCD	Rev 3.1	
Date:	Wednesday, Dec. 19, 2001	Sheet	2 of 11



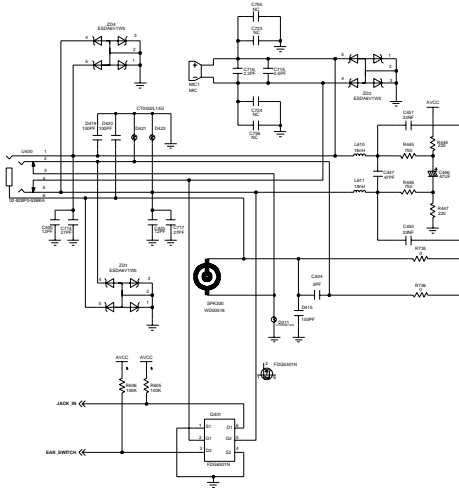
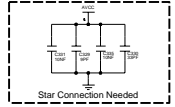
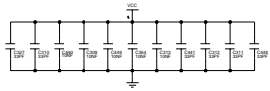
Title		
KEY Schematic		
Size	Document Number	Rev
A1	SAMSUNG/N500B.BA.CD	Rev 3.1
Date:	Wednesday, Dec. 19, 2001	Sheet 3 of 11



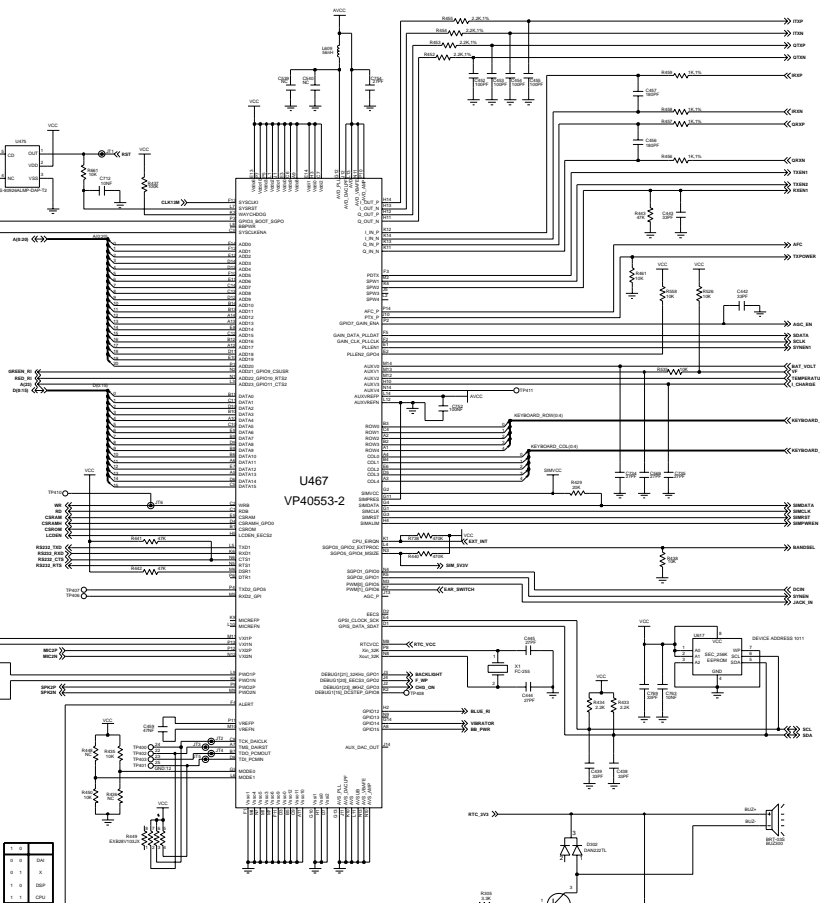
Title			
SIM and Charger Schematic			
Doc No.	Document Number:	SAMSUNG/N500/B.CHARGER	Rev. Rev 3.1
Date:	Wednesday, Dec. 19, 2001	Sheet	4 of 11

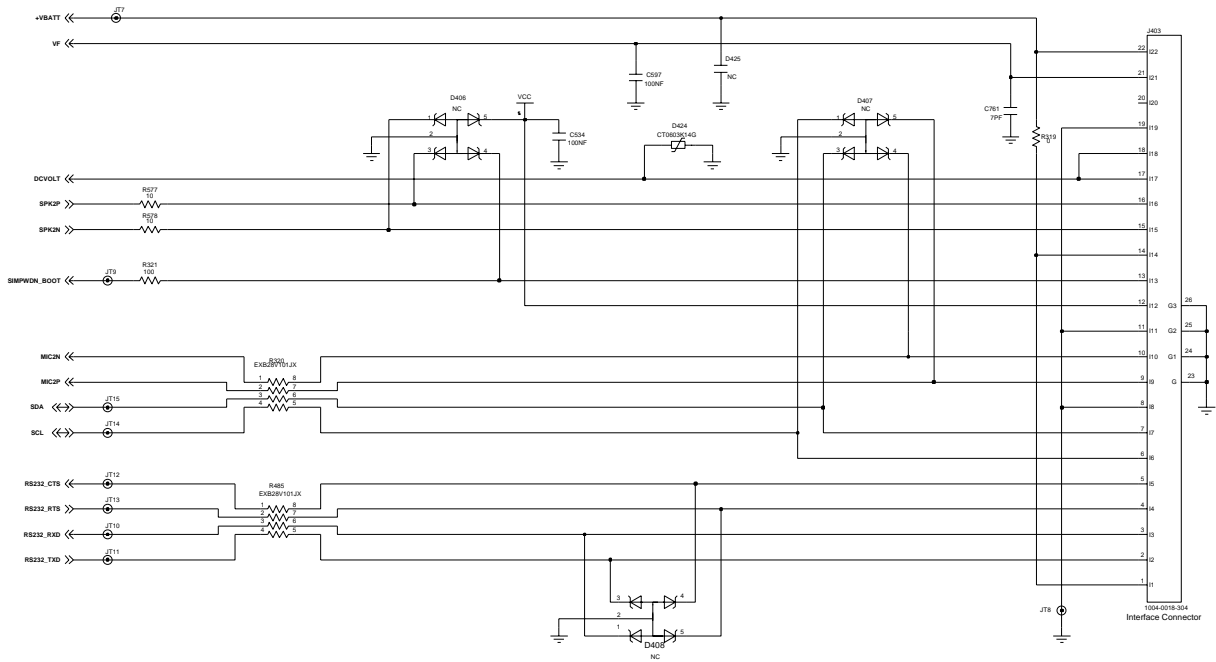


Memory Schematic			
DocuName	SAMSUNG_N500B/B/Memory	Doc	Rev 3.1
Date	Wednesday, Dec. 19, 2001	Sheet	5 of 11

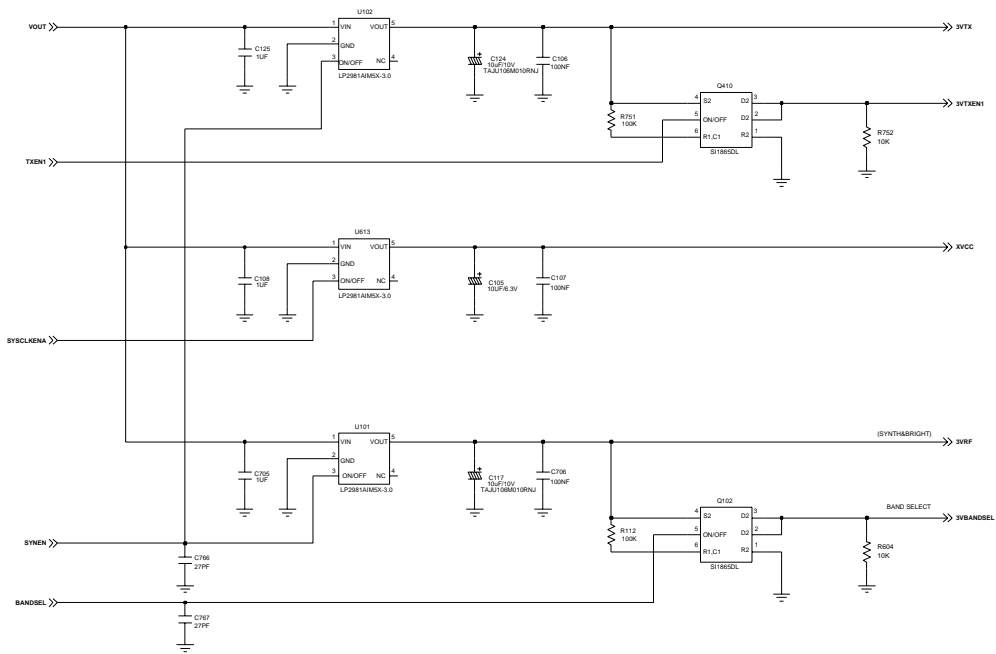


1	+	5V
2	-	GND
3	+	5V
4	-	GND
5	+	5V
6	-	GND

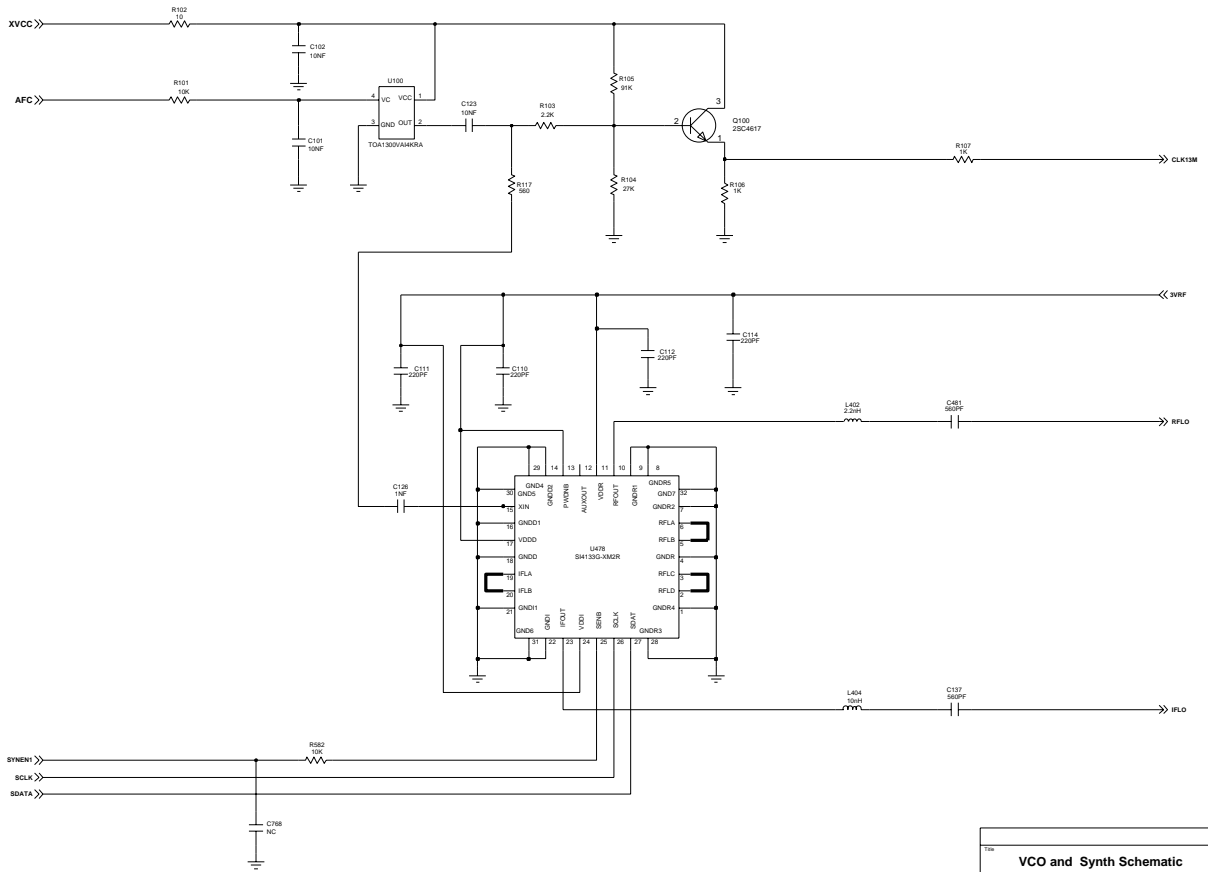




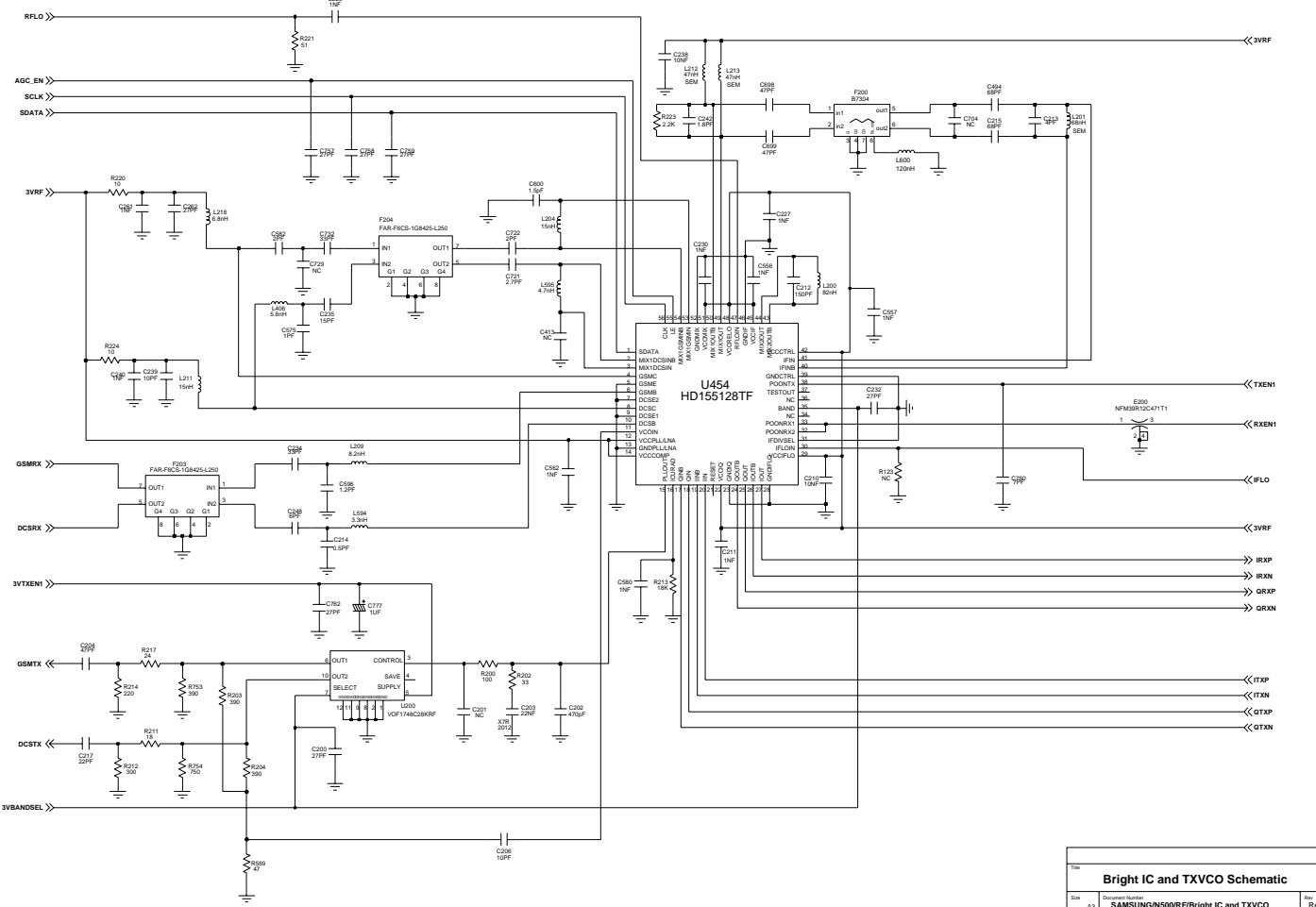
Title		
Interface Connector Schematic		
Size	Document Name	Rev
A1	SAMSUNG/N500/B.B/Interface Connector	Rev 3.1
Date:	Wednesday, Dec. 19, 2001	Sheet 7 of 11



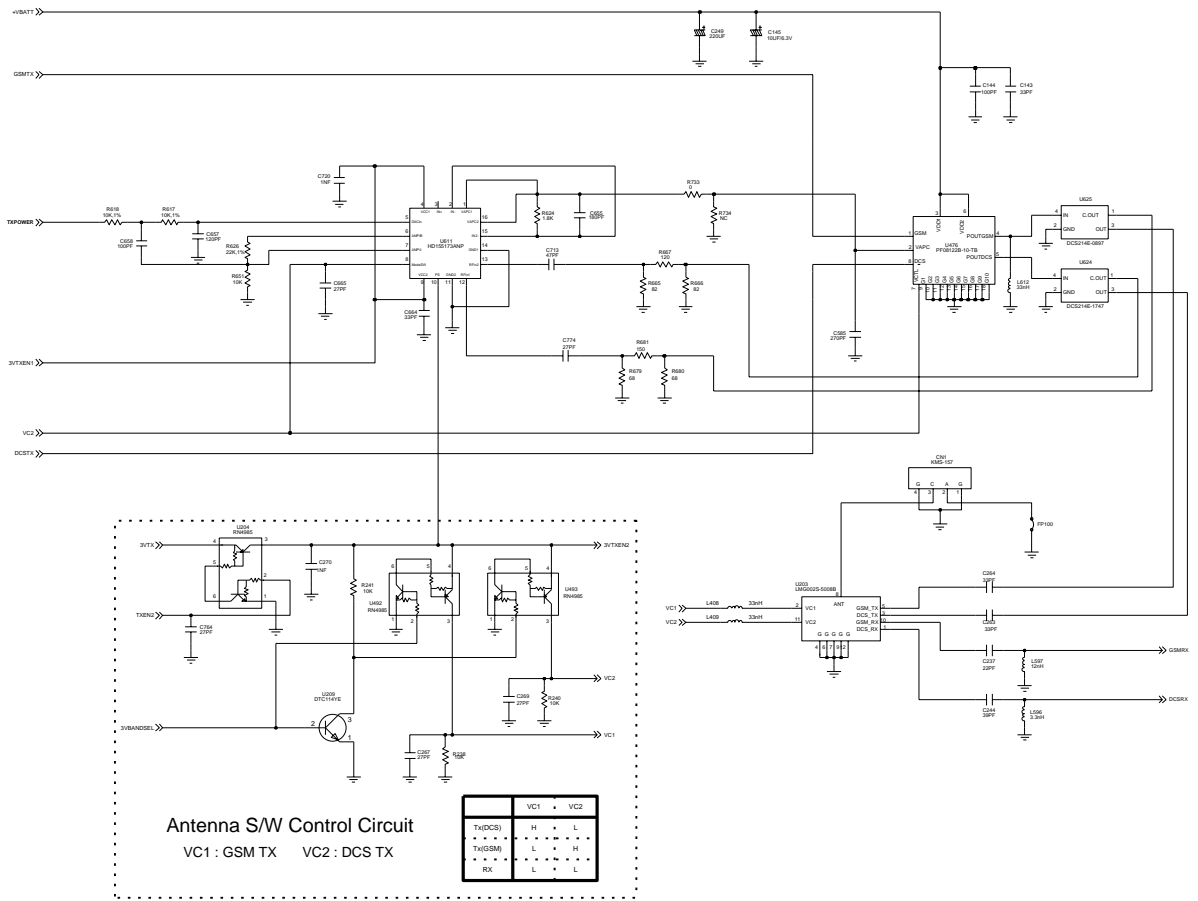
Title		
Radio PSU Schematic		
Doc No	Doc Description	Doc Rev
A1	SAMSUNG/N500RF/Radio Power Supply	Rev 3.1
Date:	Wednesday, Dec. 19, 2001	Sheet 8 of 11



Title			
VCO and Synth Schematic			
Doc No	Doc Descr	Rev	Rev
A3	SAMSUNG/N500/RF/VCTCXO and Dual synthesizers	3	Rev 3.1
Date:	Wednesday, Dec. 19, 2001	Sheet	9 of 11



Title		
Bright IC and TXVCO Schematic		
Sheet	Document Number	Rev
A1	SAMSUNG/N500RF/Bright IC and TXVCO	Rev 3.1
Date:	Wednesday, Dec. 19, 2001	Sheet 10 of 11



www.s-manuals.com