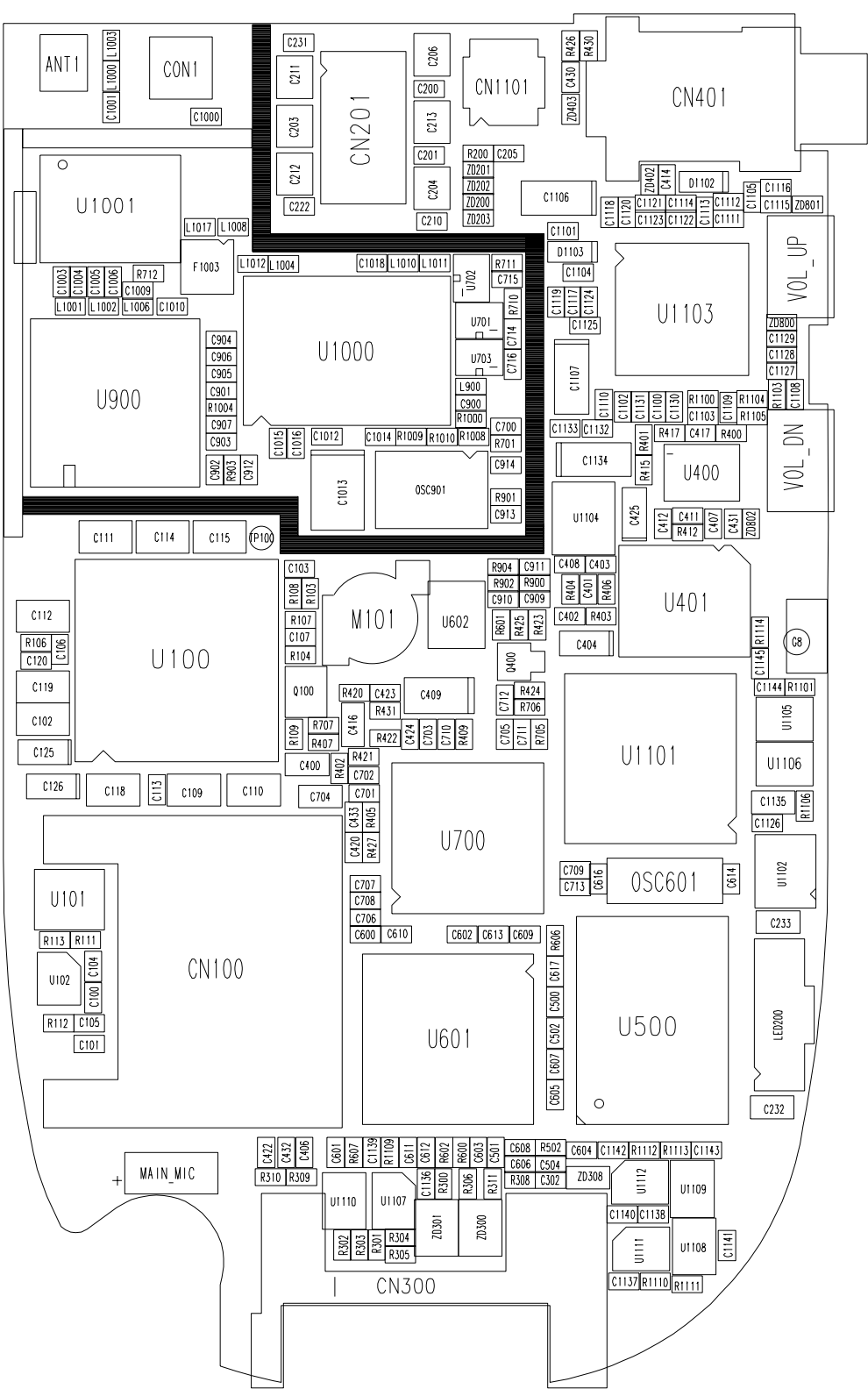
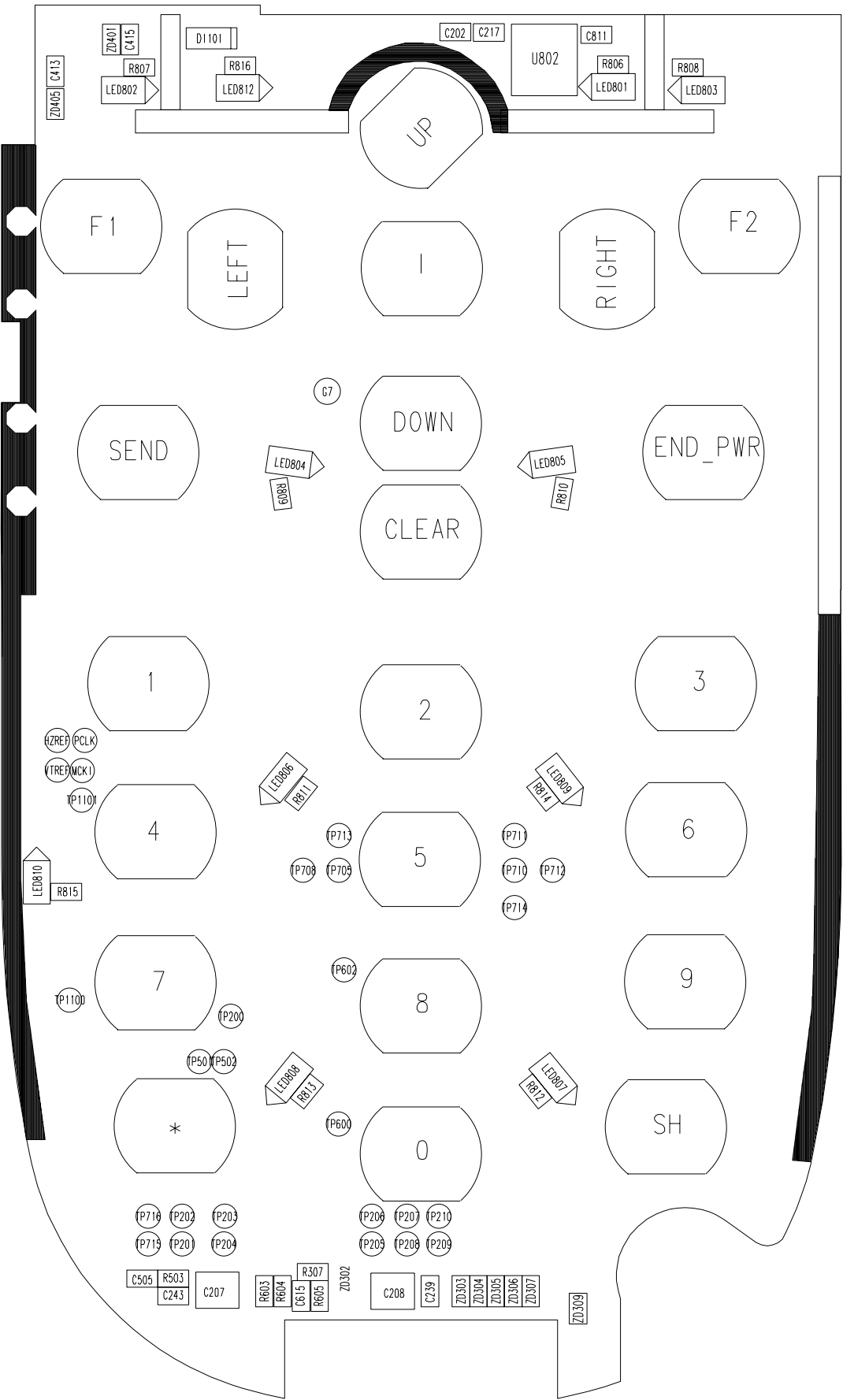


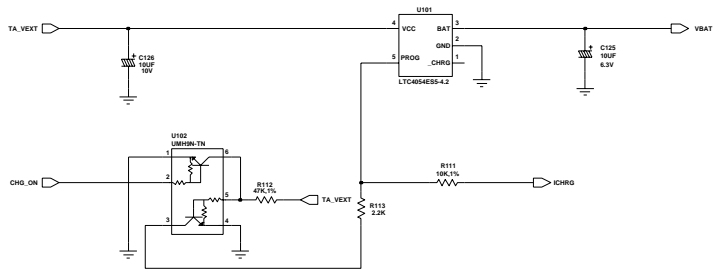
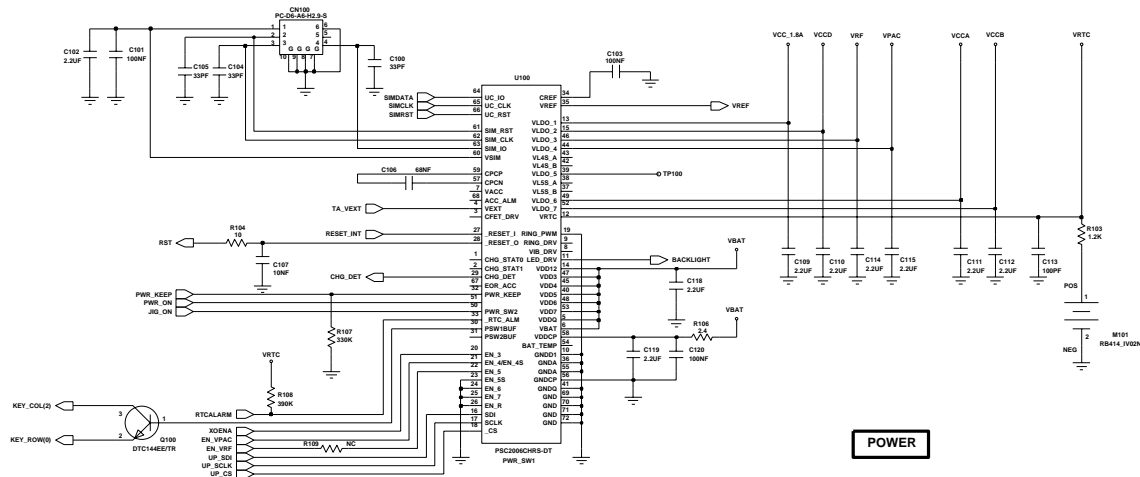
SGH-P100 Rev2.0 ASSY1



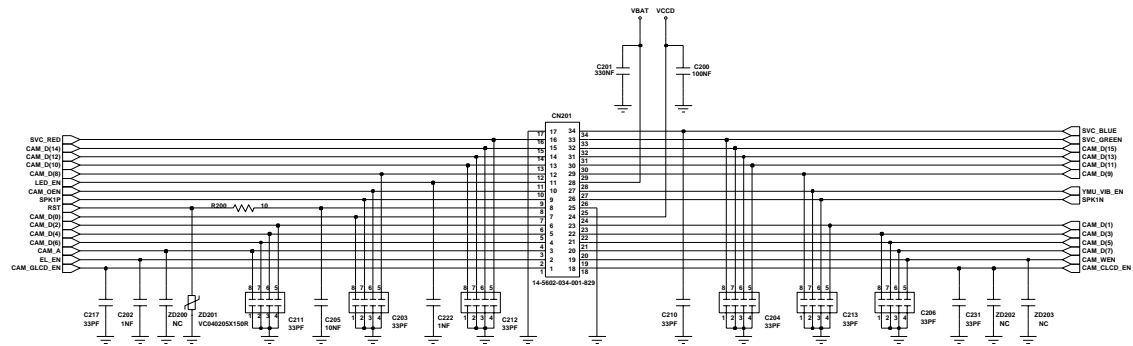
TRST	TD0	TD1	TMS	TCK	F_WE	VBAT	GND	HP_PWR	RX	TX
------	-----	-----	-----	-----	------	------	-----	--------	----	----

SGH-P100 Rev2.0 ASSY2

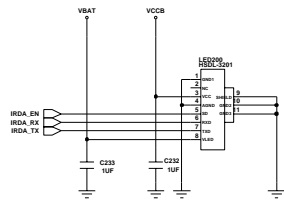




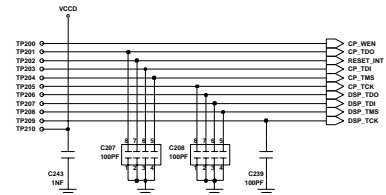
Engineer	SAMSUNG ELECTRONICS	
Drawn by	TITLE:	
RD/CHK	Size AS	
DOC/CTRL/CHK	SGH-P100	
MFG/ENGR/CHK	REV 2.0	



LCD CONNECTOR

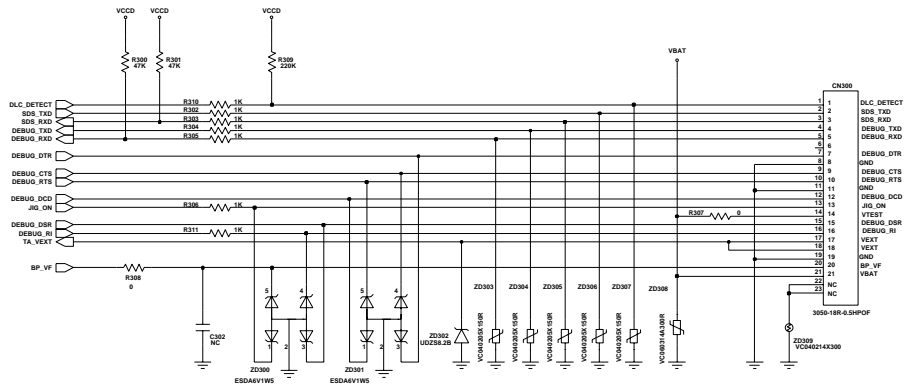


IRDA



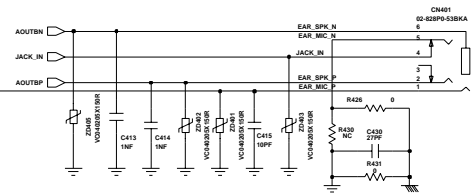
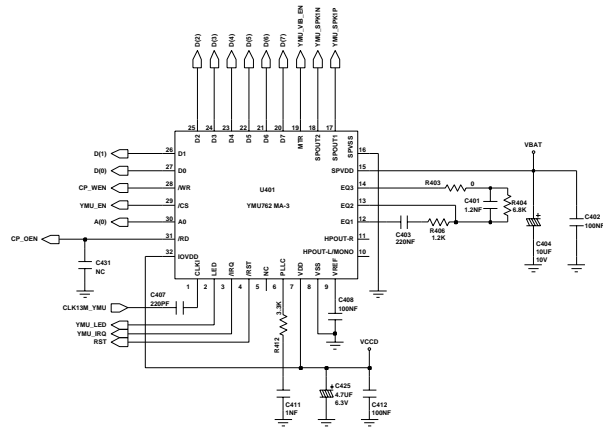
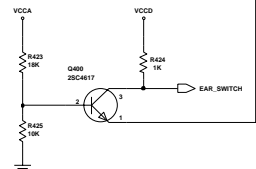
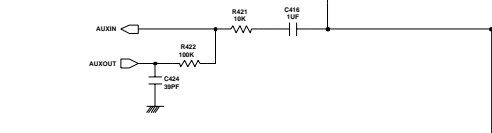
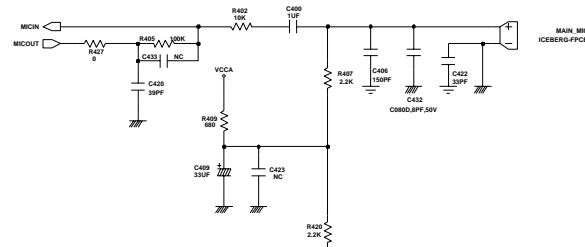
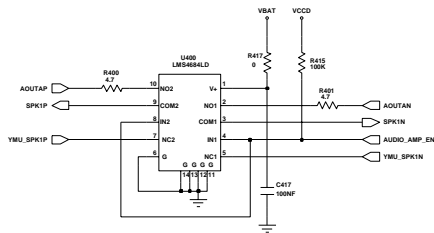
JTAG CON

Engineer	SAMSUNG ELECTRONICS	
Drawn by		
RD/CHK	TITLE:	Size AS
DNV CTRL CHK	SGH-P100	
MPG ENDR CHK		



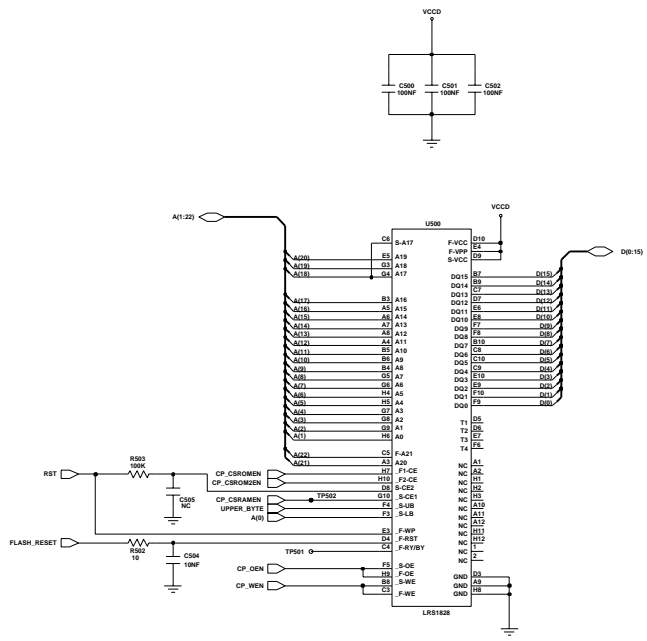
I/F CONNECTOR

Engineer	SAMSUNG ELECTRONICS				
Drawn by					
R&D CHK				TITLE:	Size AS
DOC CTRL CHK				SGH-P100	
MFG ENGR CHK					



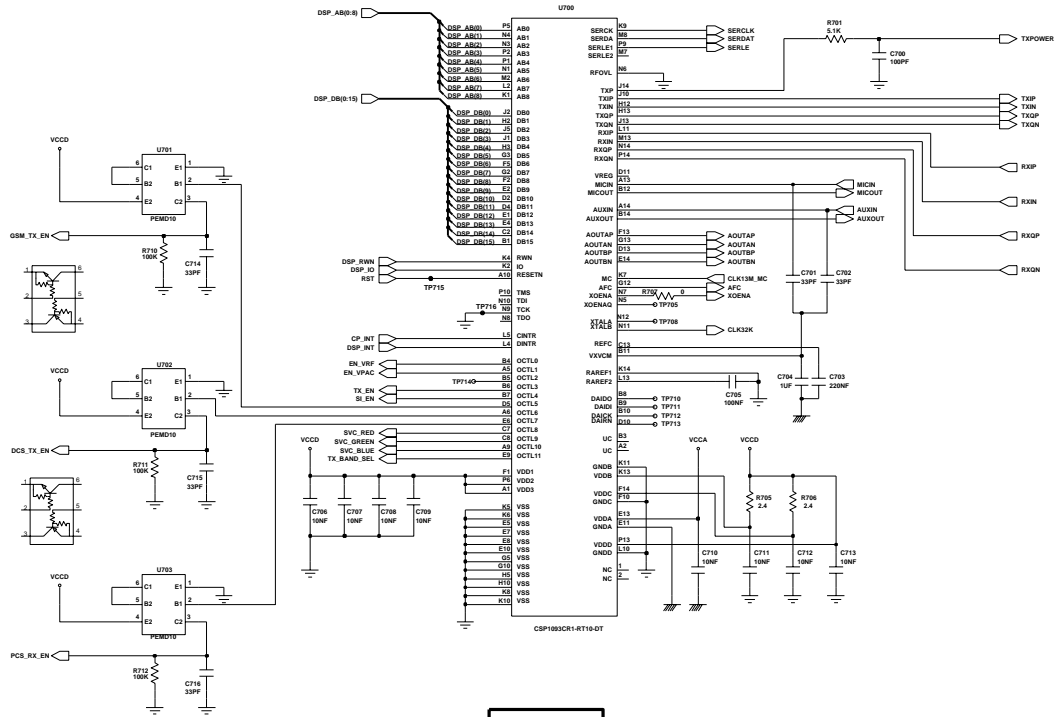
AUDIO

Engineer		SAMSUNG ELECTRONICS TITLE: SGH-P100 Size A3
Drawn by		
R&D CHK		
DOC CTRL CHK		
MFG ENGR CHK		



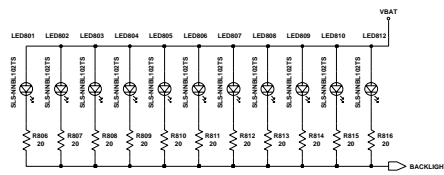
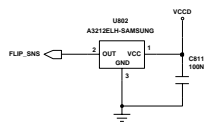
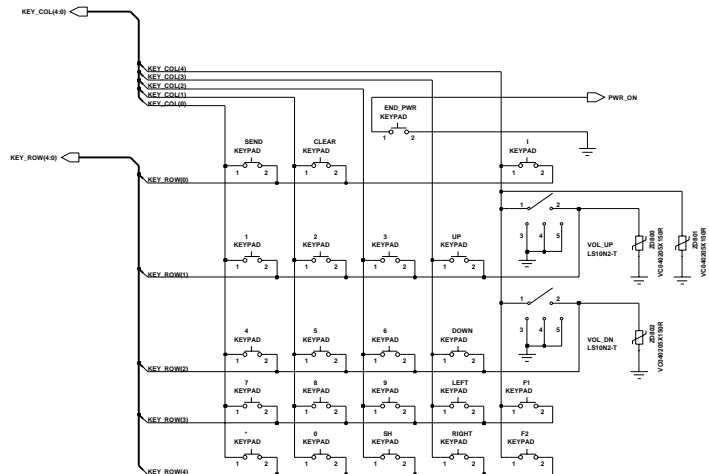
MEMORY

Engineer	SAMSUNG ELECTRONICS		Size A3	
Drawn by				
RDG CHK				TITLE:
DOC CTRL CHK				SGH-P100
MFG ENGR CHK				

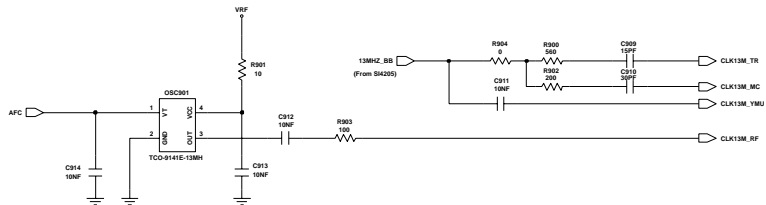
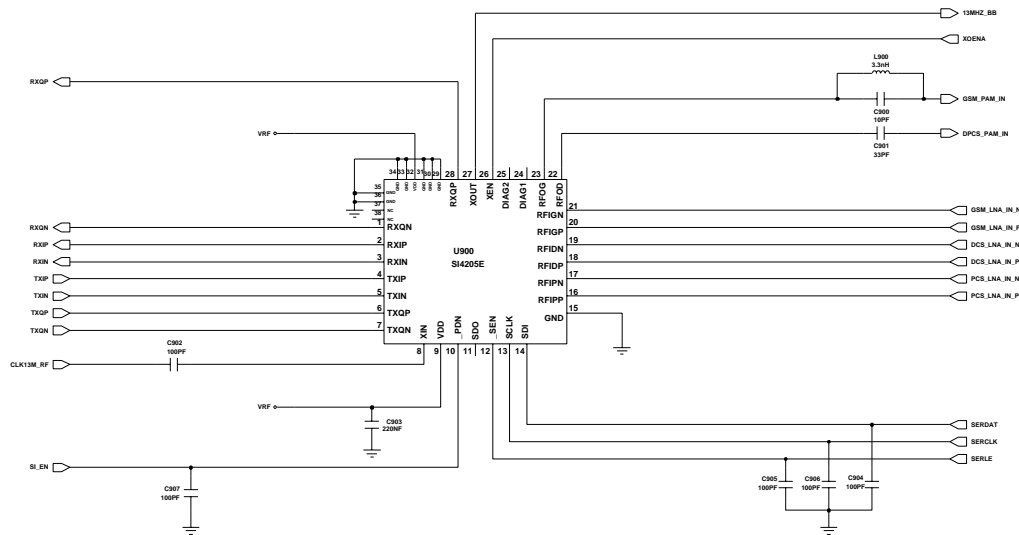


CSP1093

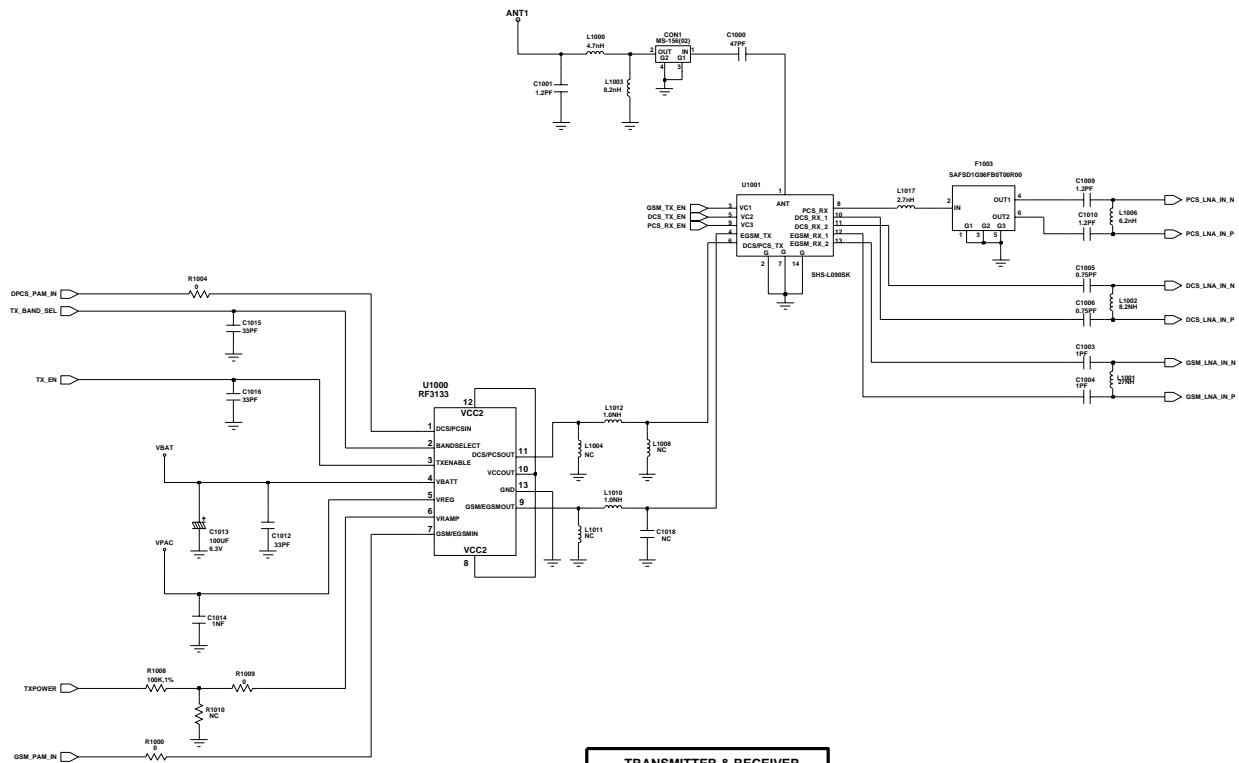
Engineer	SAMSUNG ELECTRONICS	
Drawn by	TITLE: SGH-P100	
RD/CHK	Size AS	
DOC CTRL/CHK	AS	
MP/ENGR/CHK	SGH-P100	



Engineer	SAMSUNG ELECTRONICS		Size A3	
Drawn by				
RAJ/CHK				TITLE:
DOC CTRL CHK				SGH-P100
INFO ENGR CHK				



Engineer	SAMSUNG ELECTRONICS		Size A3	
Drawn By				
R&D CHK				TITLE:
DOC CTRL CHK				SGH-P100
MFG ENGR CHK				

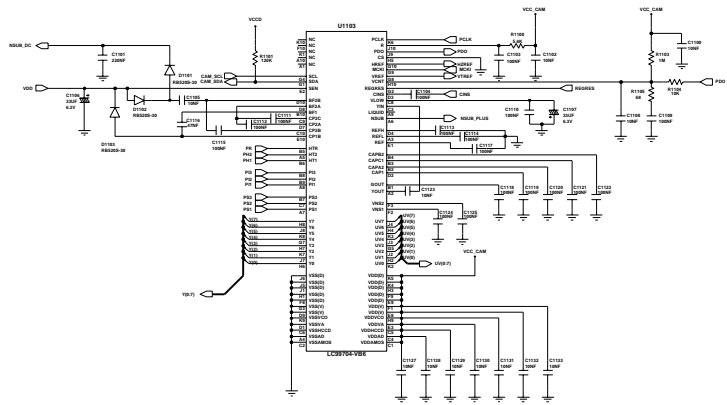


TRANSMITTER & RECEIVER

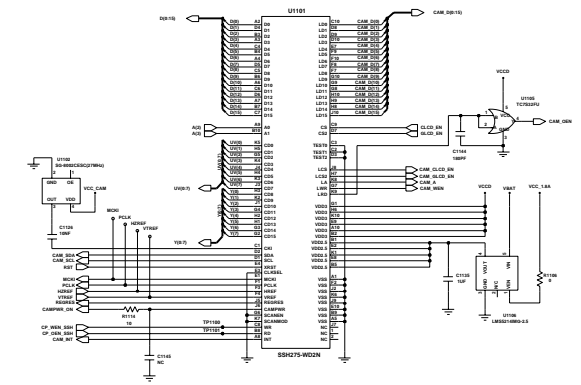
Engineer	SAMSUNG ELECTRONICS	
Drawn by	TITLE: SGH-P100	
RD/CHK	Size AS	
DOC/CHK	SGH-P100	
MFQ/ENGR/CHK		

Changed by	Date Changed	Time Changed	G.A. CHK
used	2003.06.11	3:12:36 pm	REV 2.0

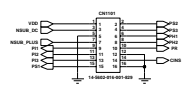
Drawing Number	Sheet 10 of 11
----------------	----------------



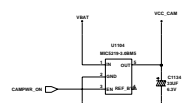
CAMERA DSP



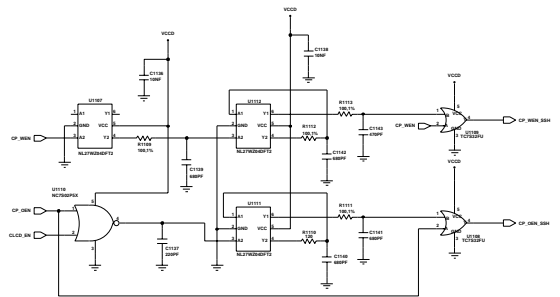
CAM ASIC



CCD



CAM POWER



www.s-manuals.com