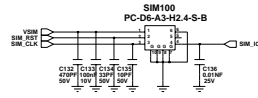
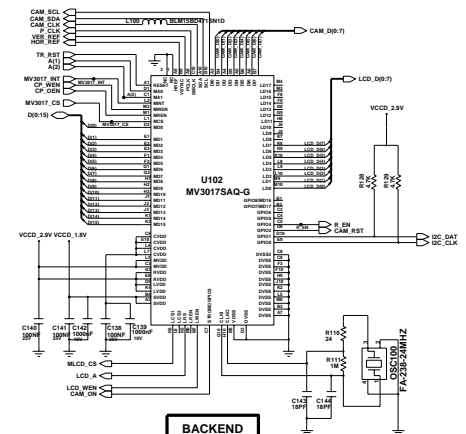


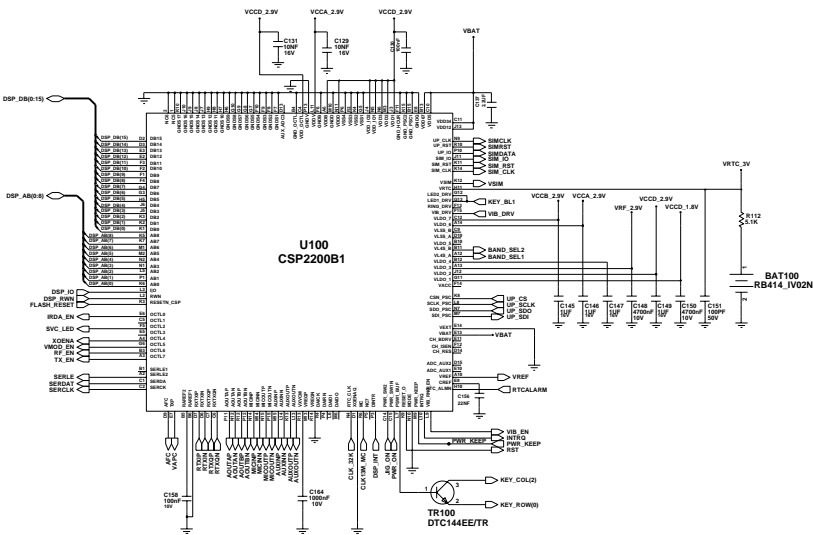
CHARGE



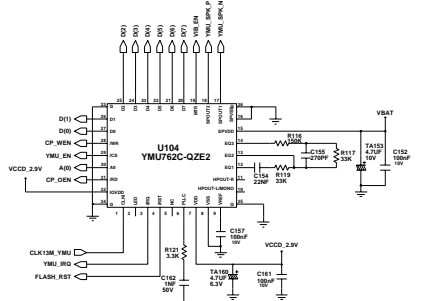
SIM



BACKEND

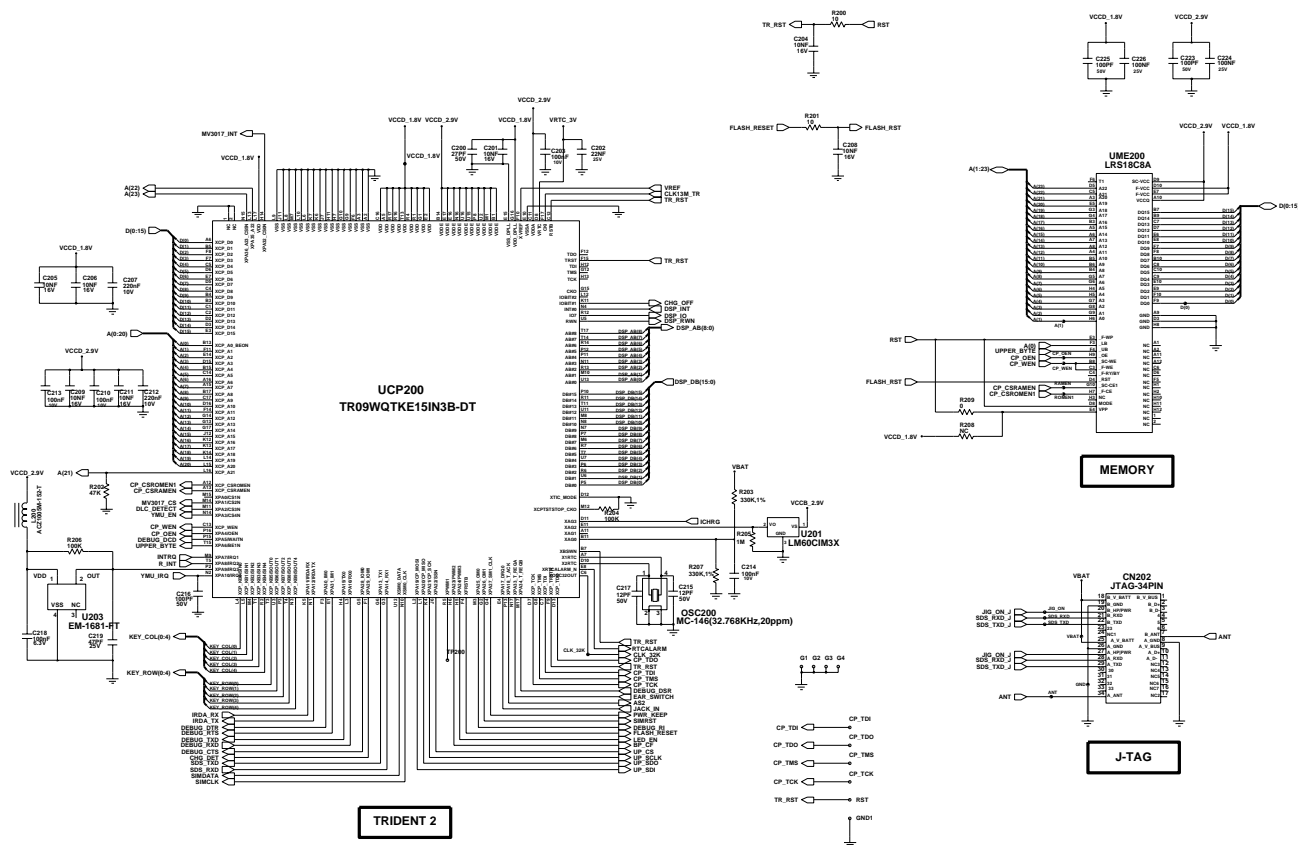


GEMINI

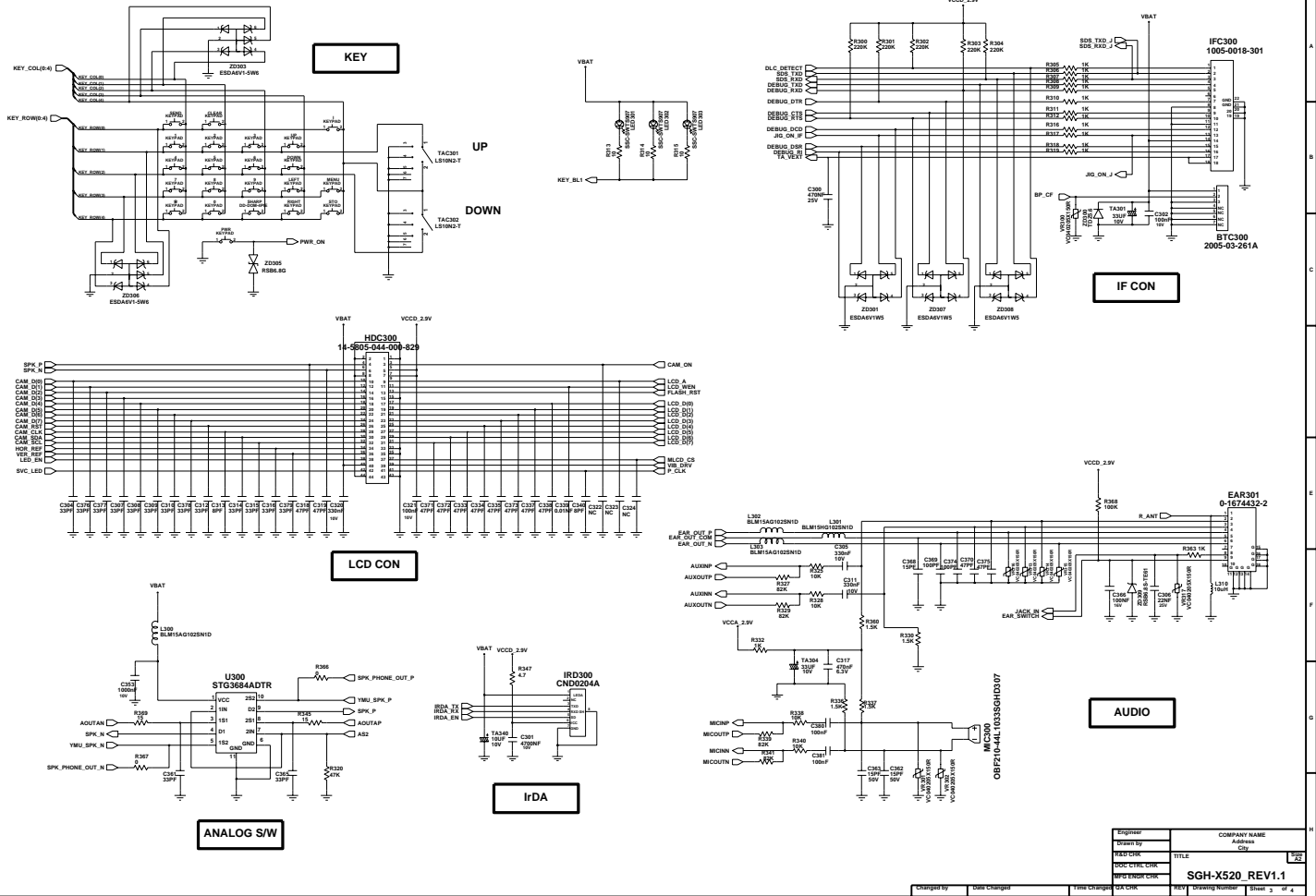


YAMAHA

Engineer	COMPANY NAME
Drawn by	TITLE
Approved CHK	Address
APPROVED CHK	City
APPROVED CHK	REV. 1
DA CLK	SGH-X520_REV1.1
KEY	Drawing Number
Sheet 1 of 2	



Engineer	COMPANY NAME
Drawn by	Address
REB:CHK	City
MOO:CHK	
WEI:CHK	
SGH-X520_REV1.0	



KEY

IF CON

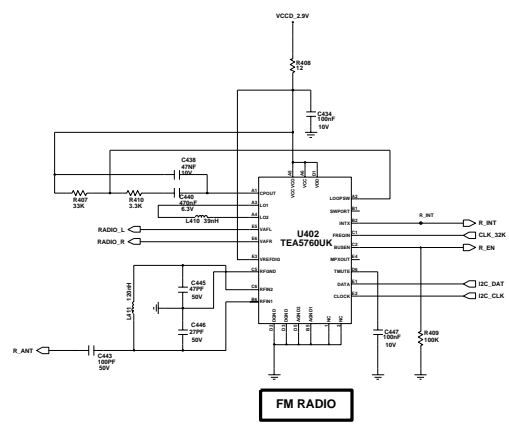
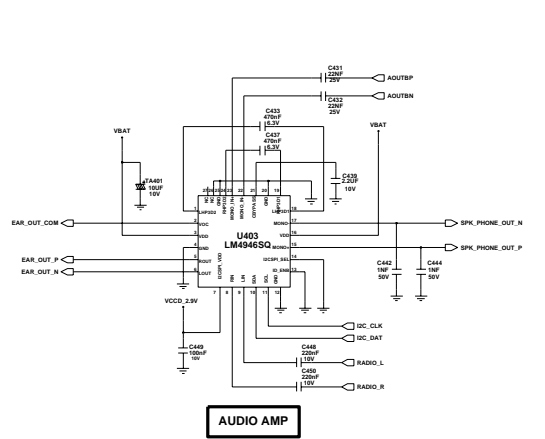
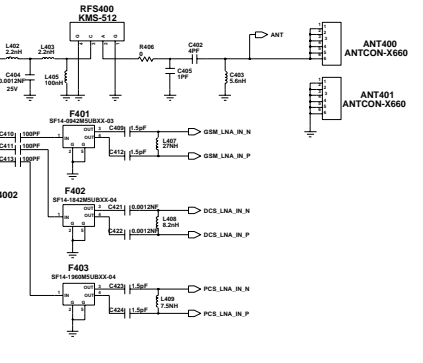
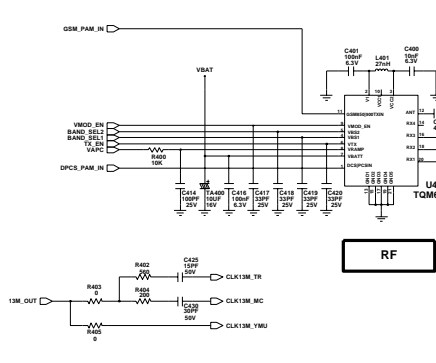
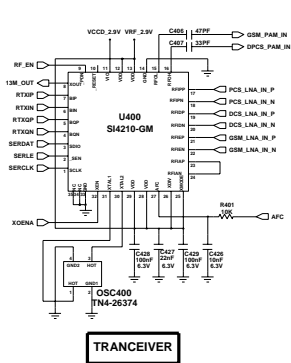
LCD CON

ANALOG S/W

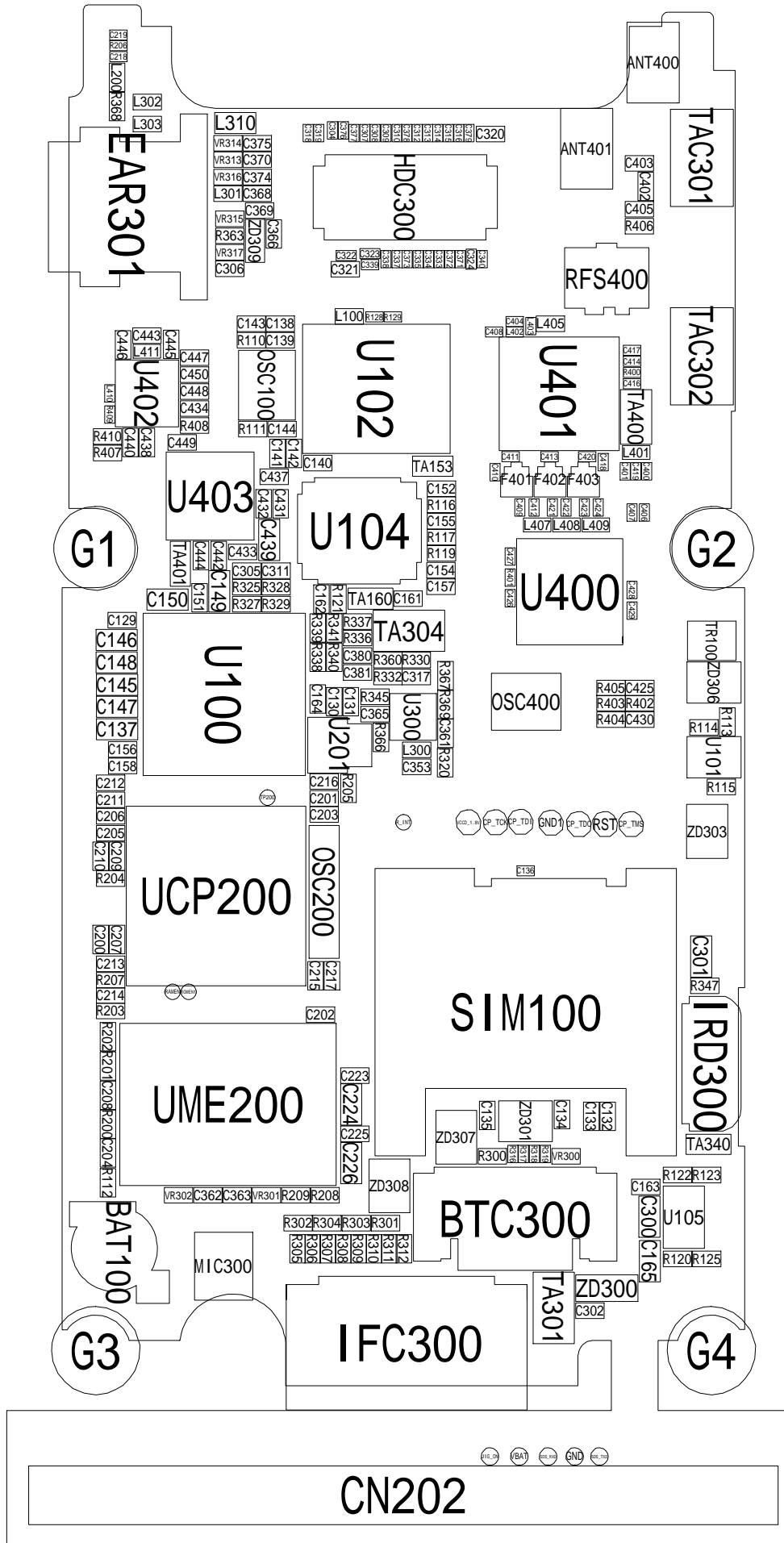
IrDA

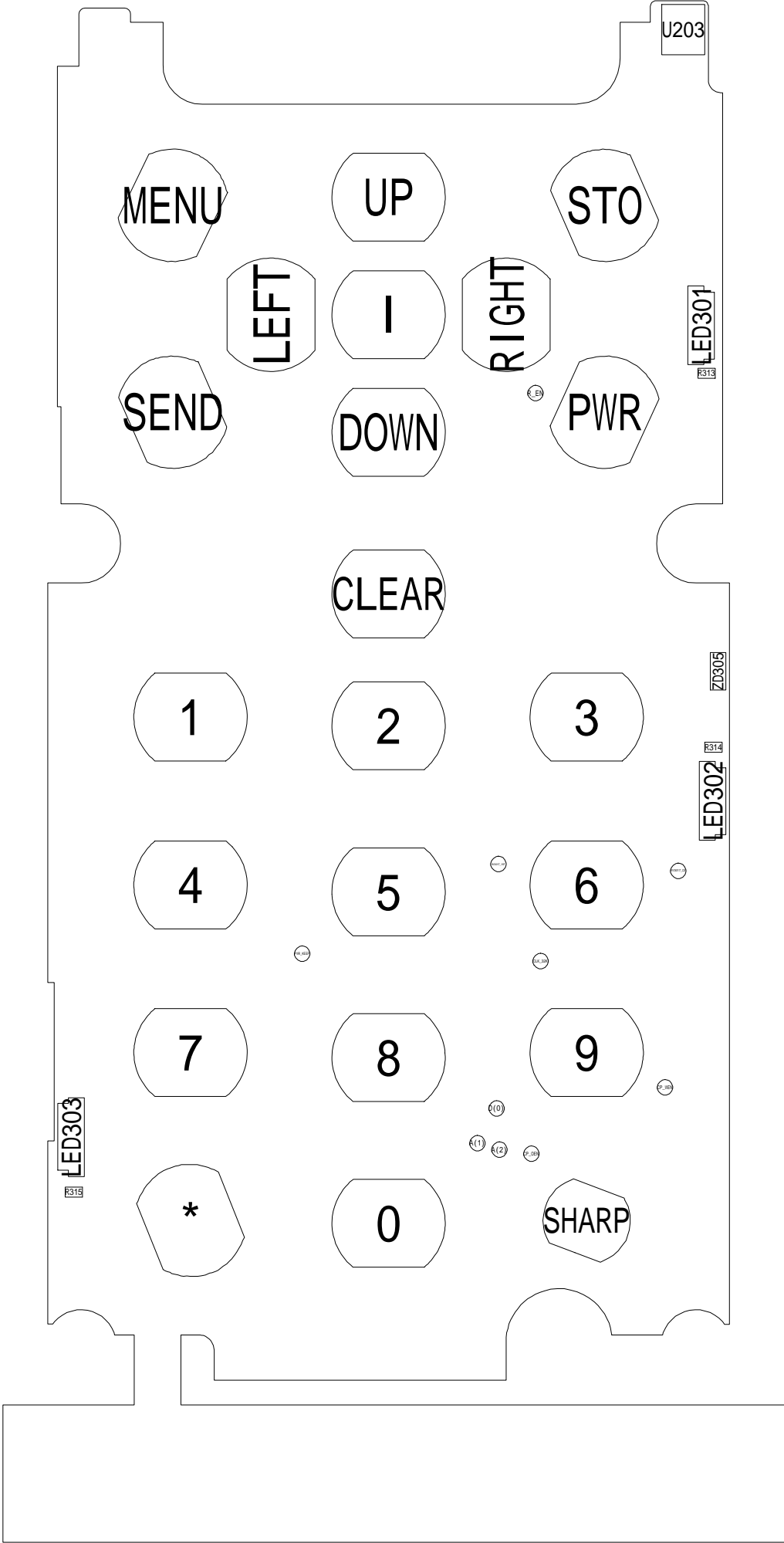
AUDIO

Engineer	COMPANY NAME
Drawn by	Address
Checked by	City
Approved by	
SGH-X520_REV1.1	



Engineer	COMPANY NAME
Drawn by	TITLE
MODIFIED BY	Address
MODIFIED DATE	CITY
APPROVED BY	REV
DATE	SGH-X520_REV1.1





U203

MENU

UP

STO

LEFT

I

RIGHT

LED301

SEND

DOWN

PWR

CLEAR

1

2

3

ZD305

4

5

6

LED302

7

8

9

LED303

*

0

SHARP

R10
R11
R12

R209

www.s-manuals.com