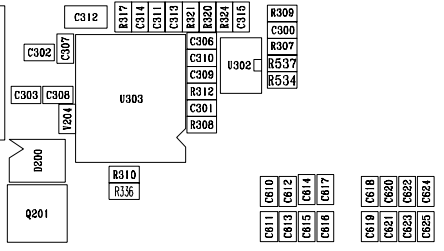
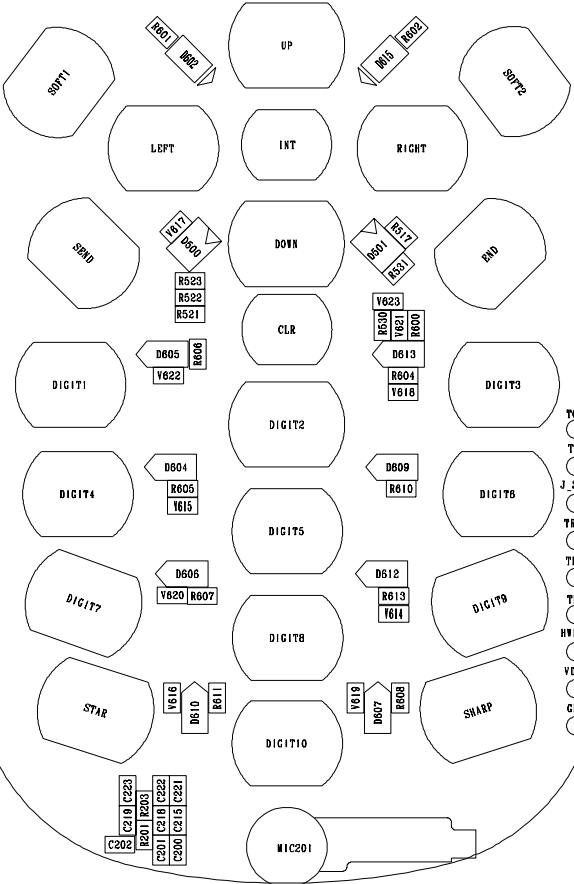


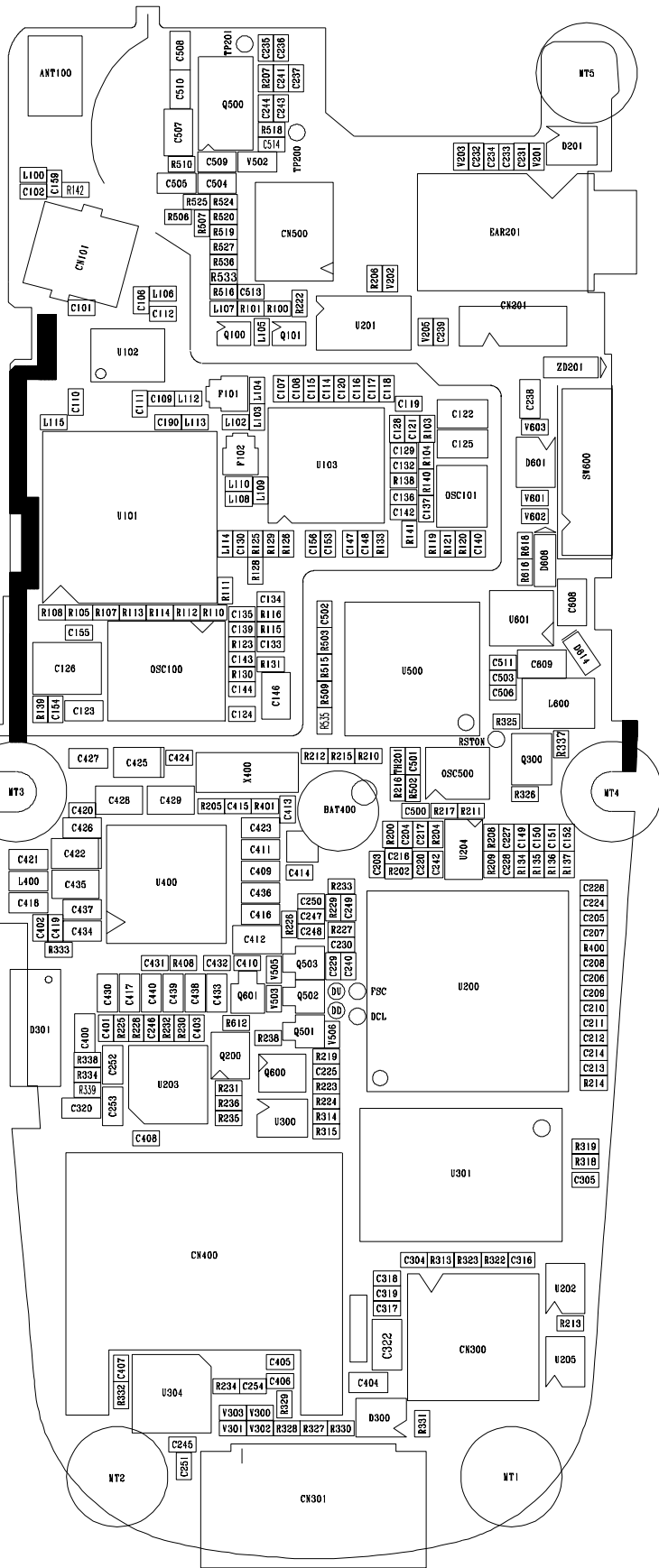
RECEIVER200



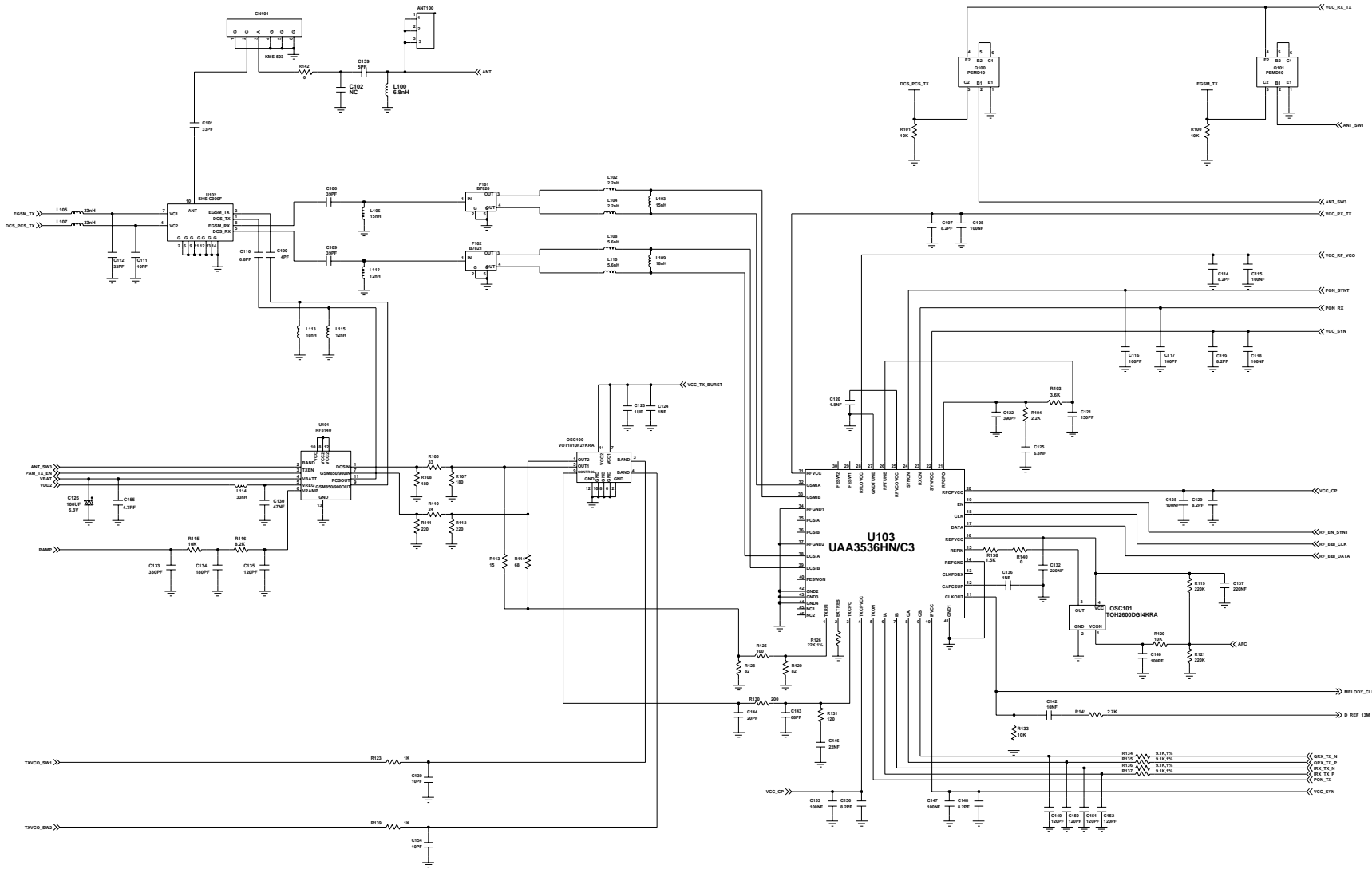
D603



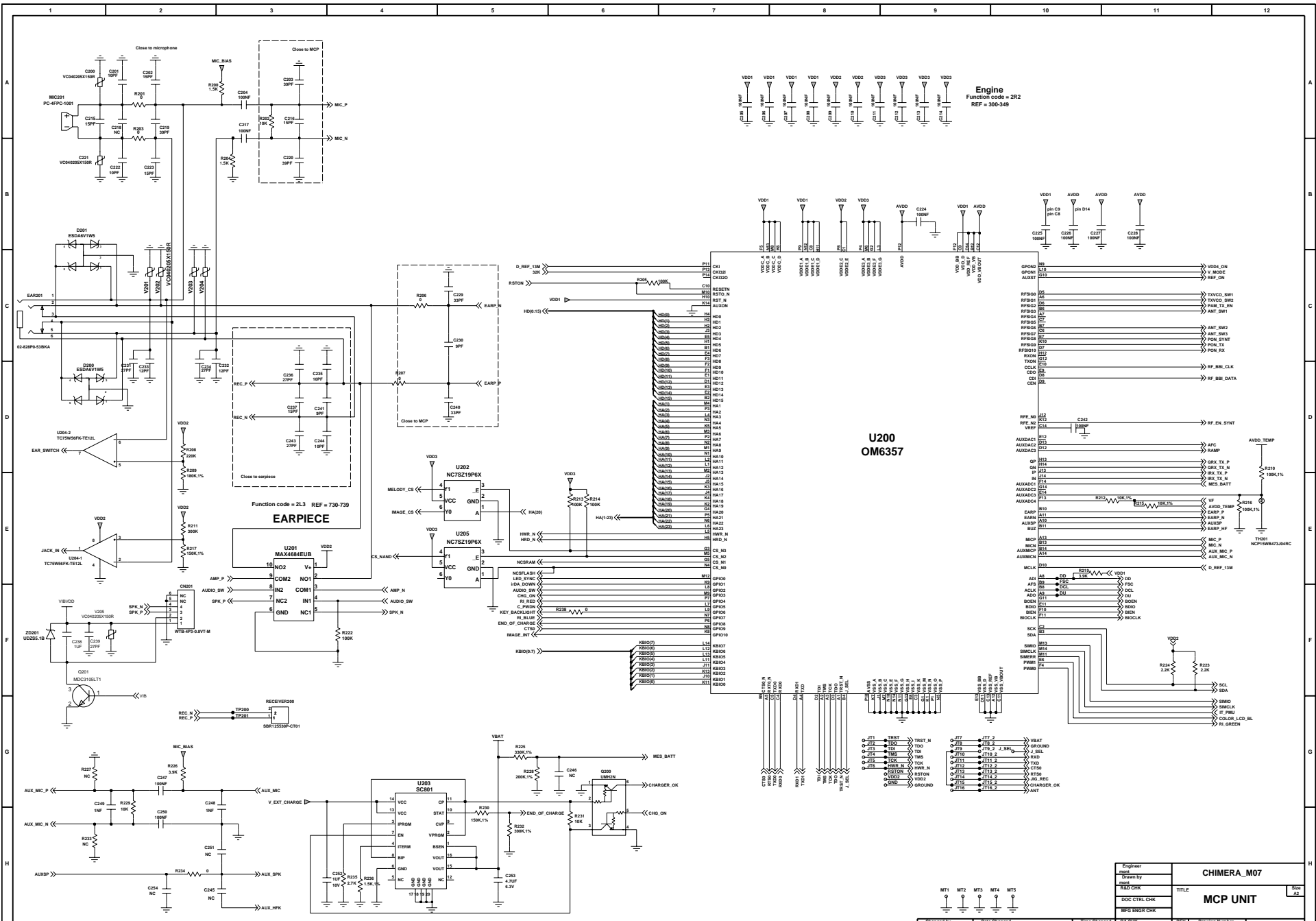
- YCK ○
- TWS ○
- J_SEL ○
- TRST ○
- TDI ○
- TDO ○
- HWR_N ○
- VDD2 ○
- GND ○



JT1	JT2	JT3	JT4	JT5	JT6	JT7	JT8	JT9	JT10	JT11	JT12	JT13	JT14	JT15	JT16
-----	-----	-----	-----	-----	-----	-----	-----	-----	------	------	------	------	------	------	------



Engineer	CHIMERA_M07		
Drawn by	TITLE		
R&D CHK	RF_Schematic		
DOC CTRL CHK	REV		
MFG ENGR CHK	Drawing Number		



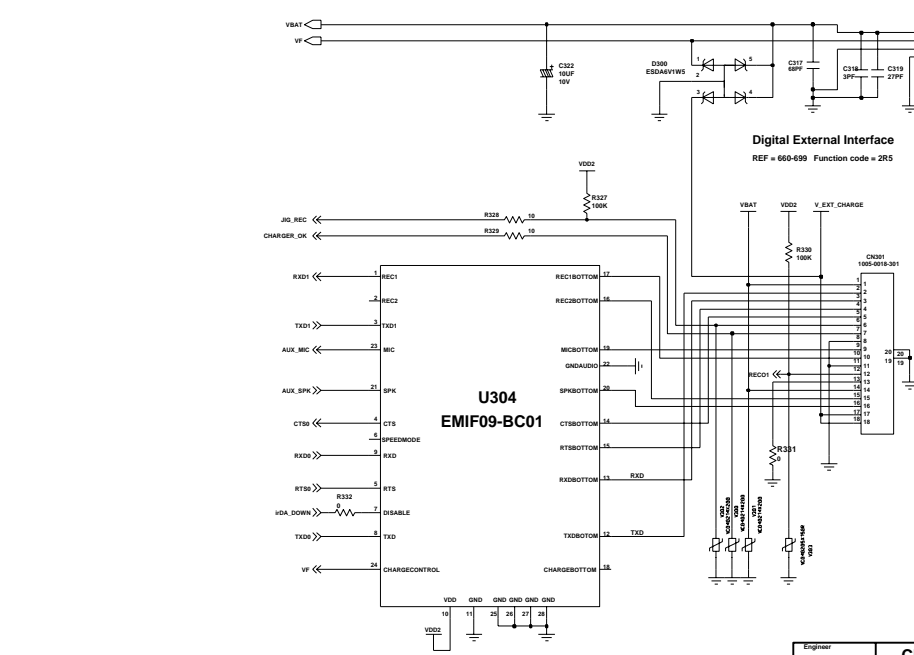
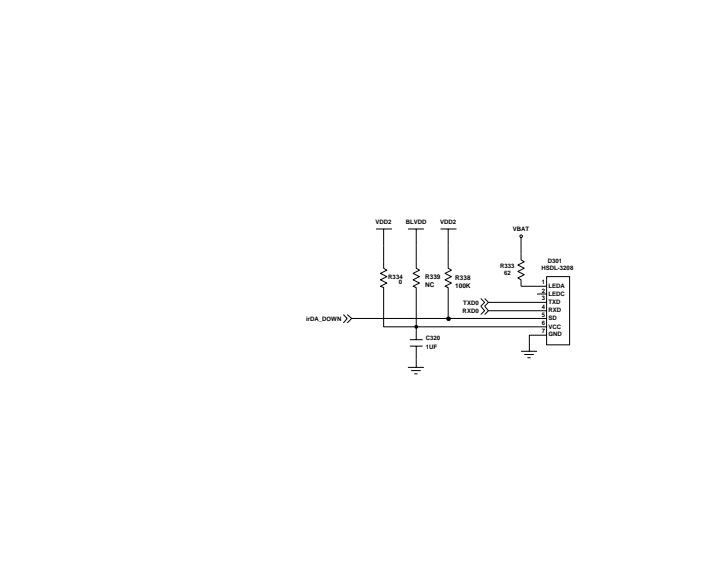
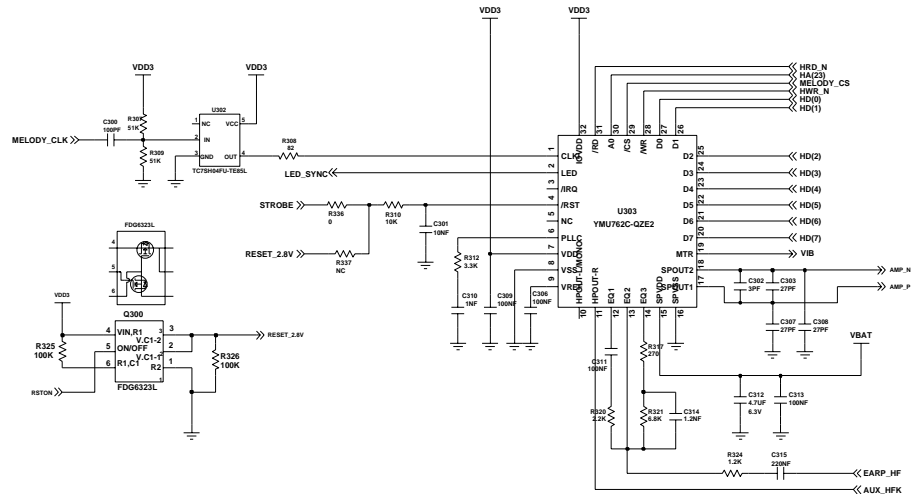
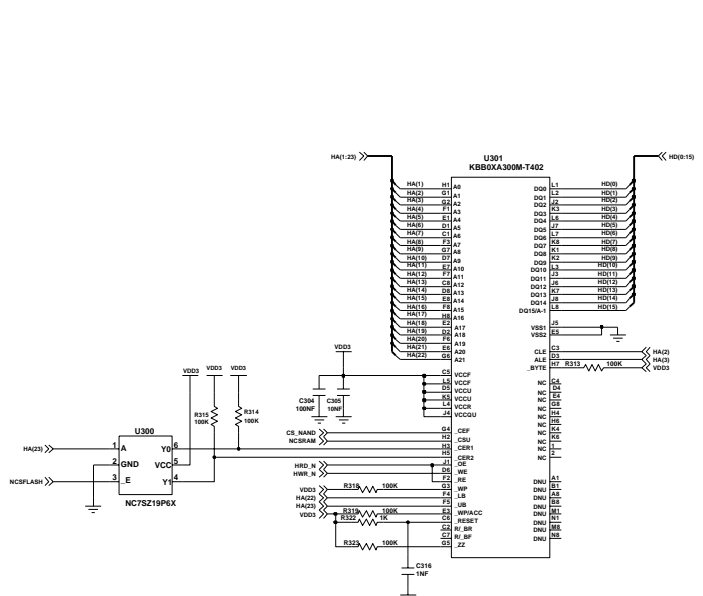
Engine
Function code = 2R2
REF = 300-345

U200
OM6357

Function code = 2L3
REF = 730-739

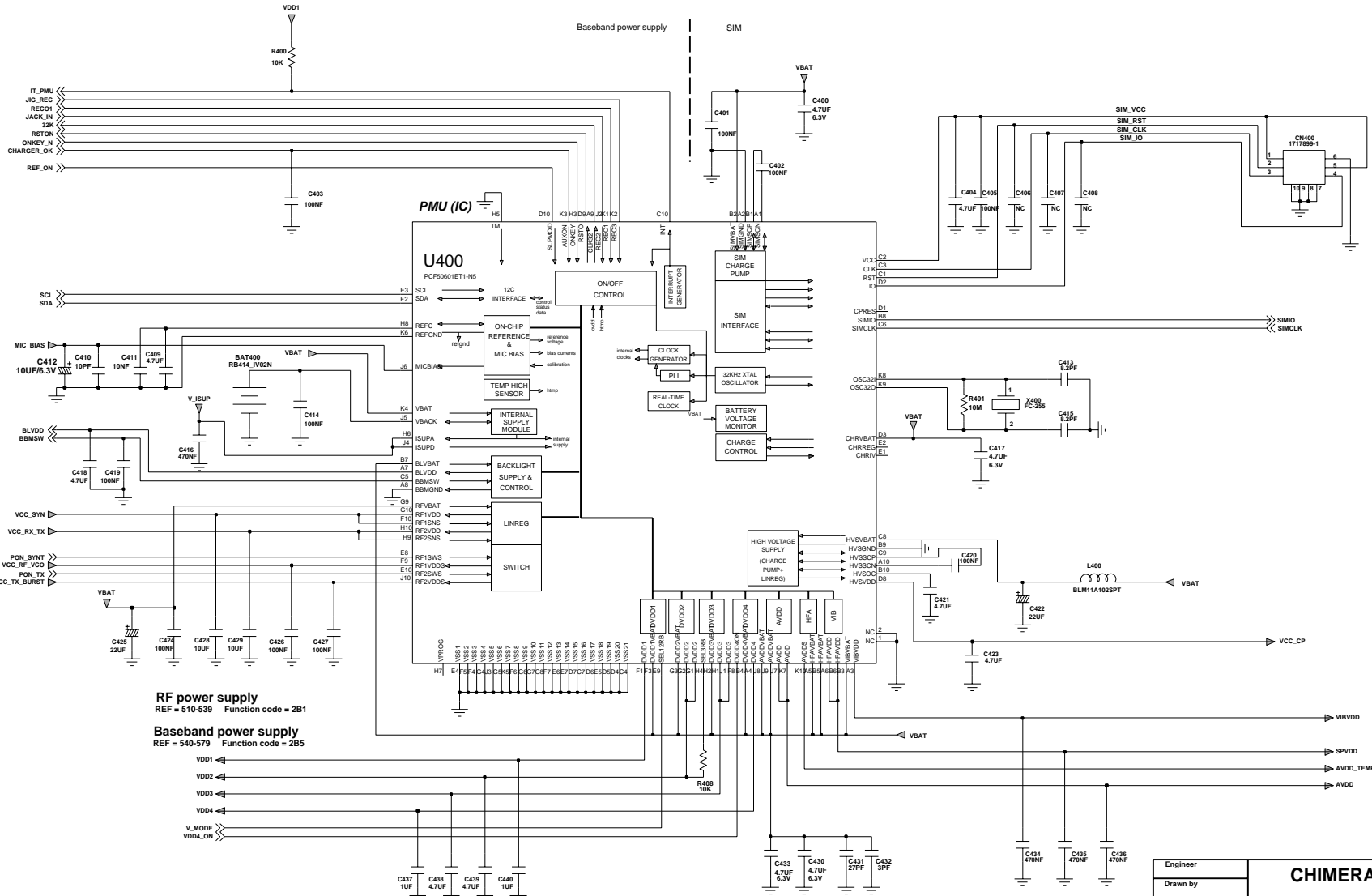
EARPIECE

Engine	CHIMERA_M07
System	
PROD CHK	TITLE
DOC CTRL CHK	MCP UNIT
MFG ENDR CHK	Sheet 2 of 6



Digital External Interface
REF = 660-699 Function code = 2R5

Engineer	CHIMERA_M07
Drawn by	
RECD CHK	TITLE
DOC CTRL CHK	
MFG ENDR CHK	Memory & melody
Changed by	Date Changed 2003.10.07
Time Changed	QA CHK
REV	Drawing Number
Sheet 3	of 6



RF power supply
 REF = 510-539 Function code = 2B1

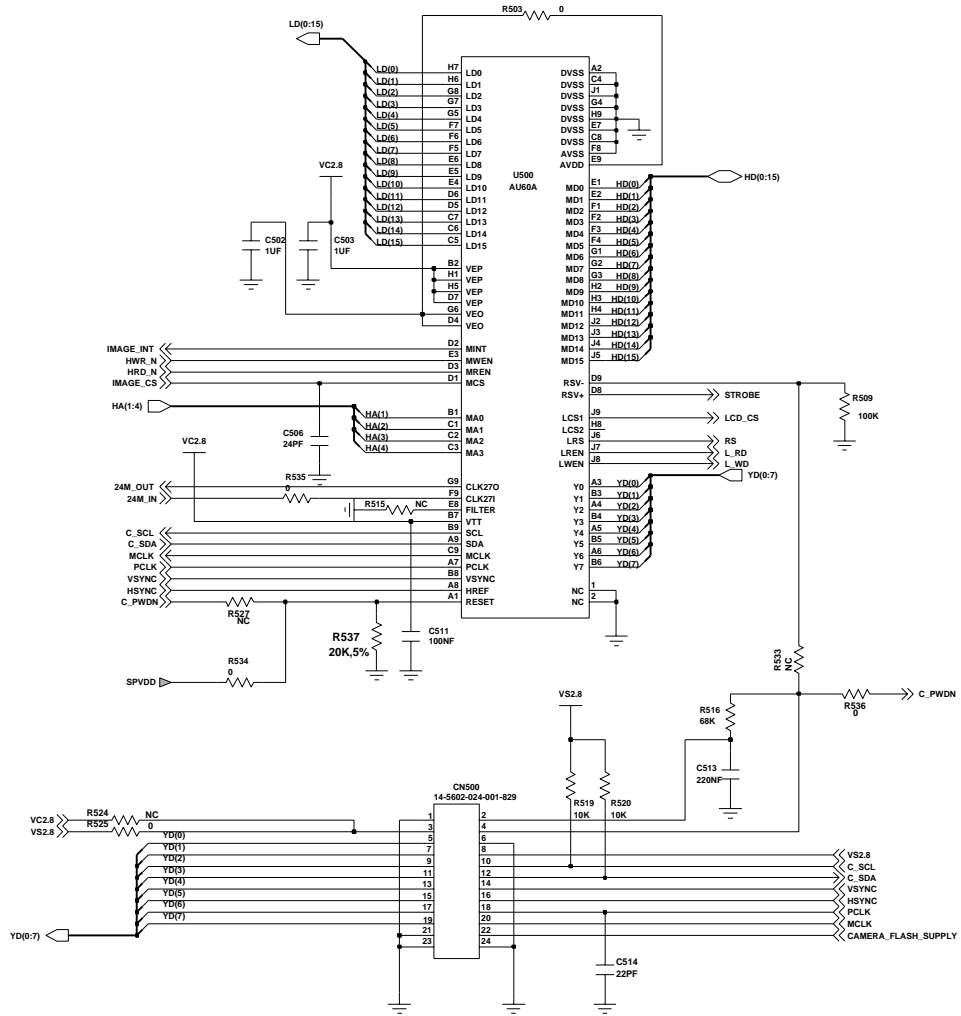
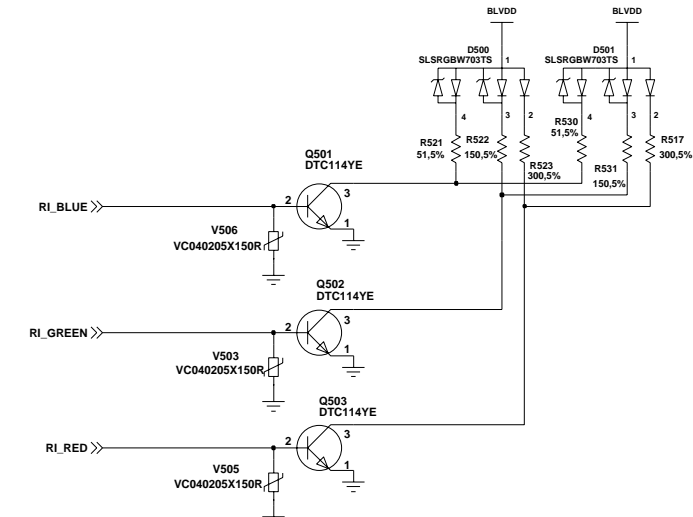
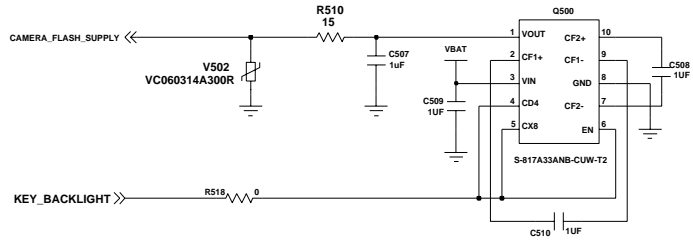
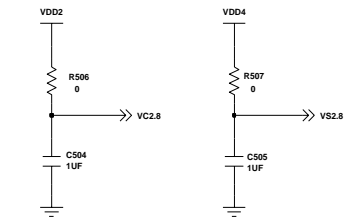
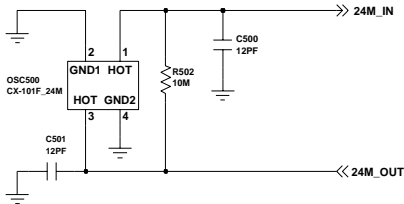
Baseband power supply
 REF = 540-579 Function code = 2B5

- VDD1
- VDD2
- VDD3
- VDD4
- V.MODE
- VDD4_ON

Engineer	CHIMERA_M07		
Drawn by			
R&D CHK	TITLE:	Size A3	
DOC CTRL CHK	Power management unit		
MFG ENGR CHK			
QA CHK	REV	Drawing Number	Sheet 4 of 6

Changed by	Date Changed	2003.10.07	Time Changed
------------	--------------	------------	--------------

A



B

C

D

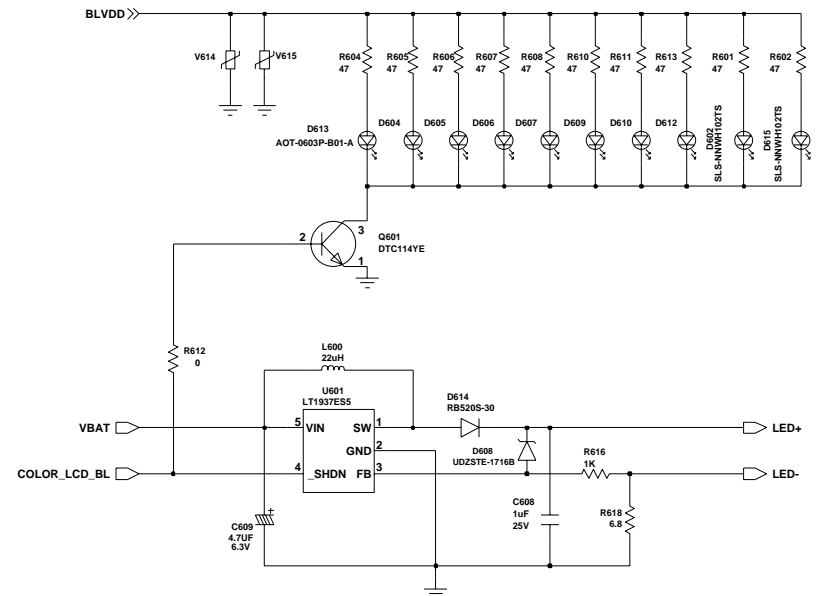
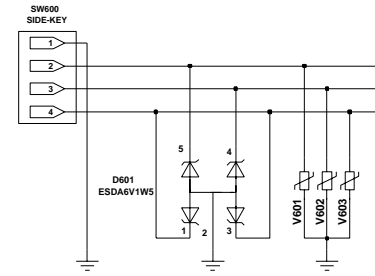
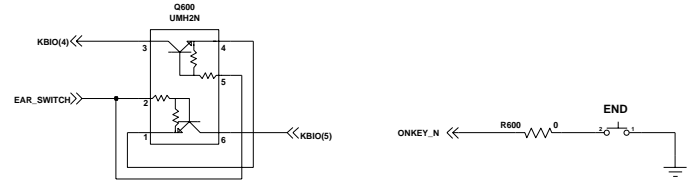
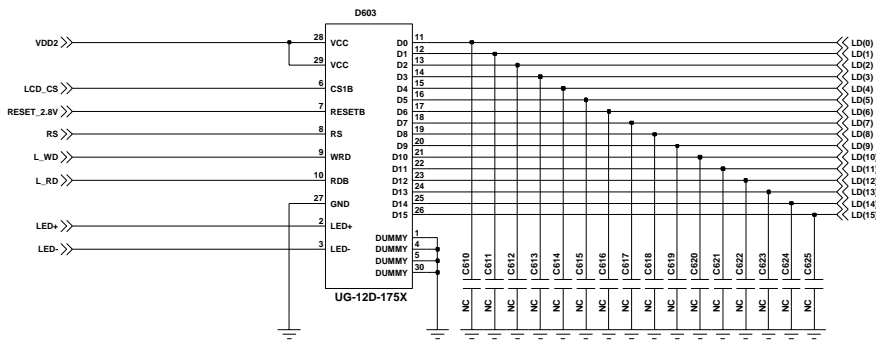
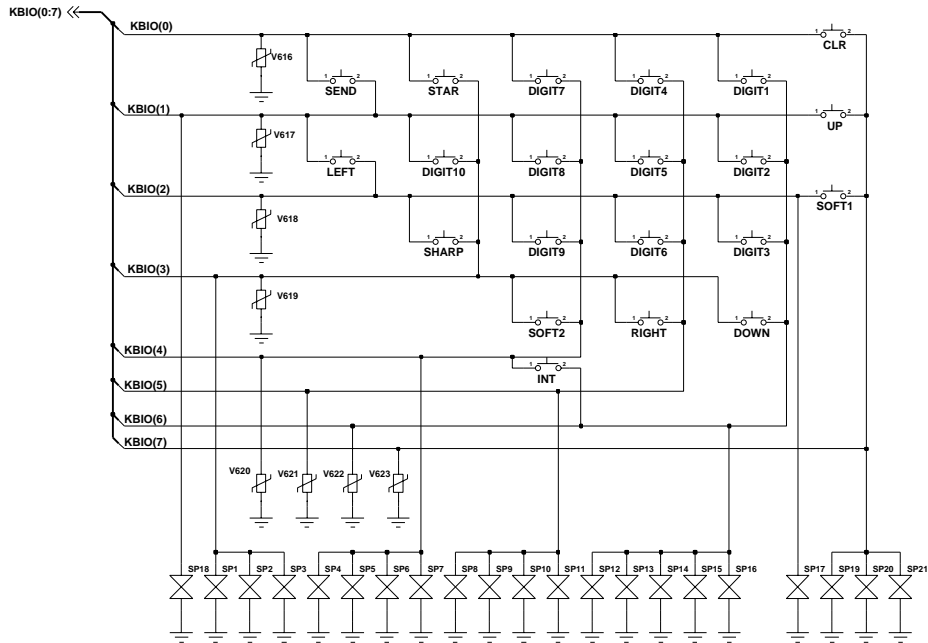
E

F

(24pin_1.5t)

Engineer	CHIMERA_M07	
Drawn by		
R&D CHK	TITLE:	Size A3
DOC CTRL CHK	CAMERA_PART	
MFG ENGR CHK		
QA CHK	REV	Sheet 5 of 6

Changed by	Date Changed	2003.10.07
------------	--------------	------------



Engineer	CHIMERA_M07	
Drawn by		
R&D CHK	TITLE:	Size A3
DOC CTRL CHK	LCD & KEY & B/L	
MFG ENGR CHK		

Changed by	Date Changed	2003.10.07	Time Changed	QA CHK	REV	Drawing Number	sheet 6 of 6
------------	--------------	------------	--------------	--------	-----	----------------	--------------

www.s-manuals.com