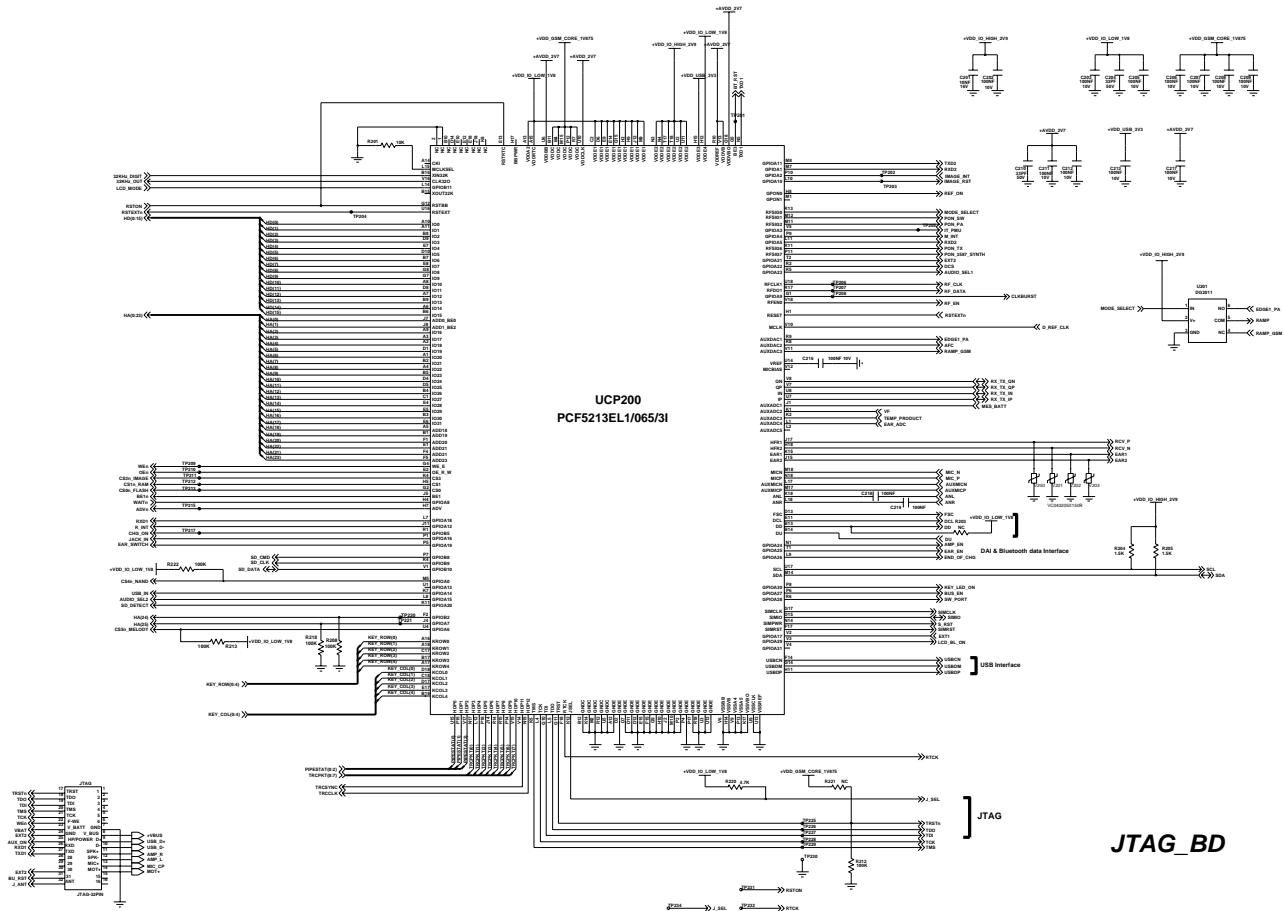
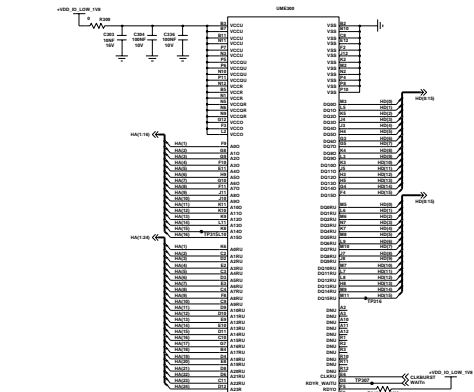


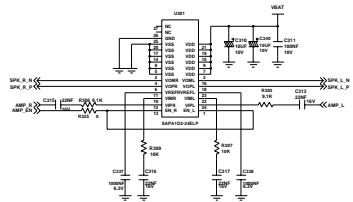
	F25H1	F25H2
TapC025000	L	L
TapC0250000	L	L
RapC025000	L	L
RapC0250000	L	L
RapC02500000	L	L



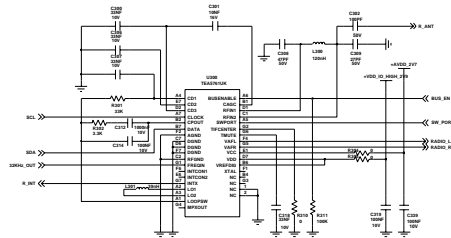
J-TAG 32 PINS



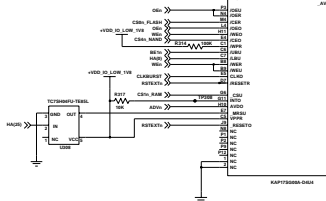
D_Class_AMP



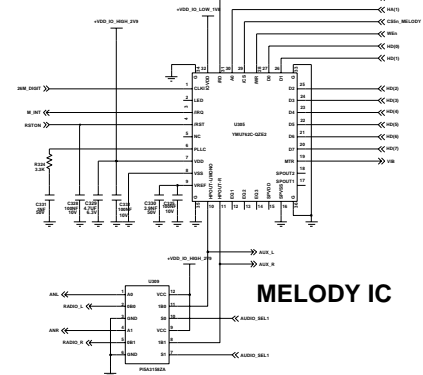
FM RADIO



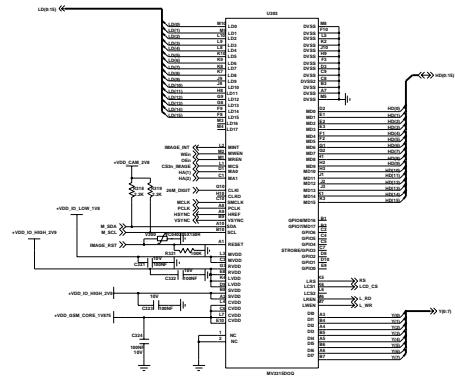
MEMORY



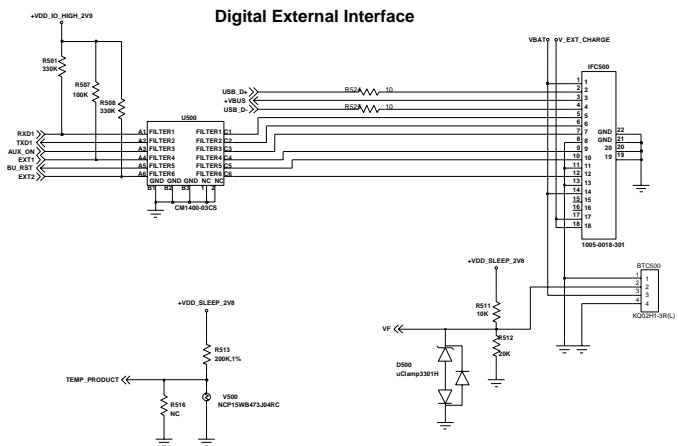
BLUE TOOTH



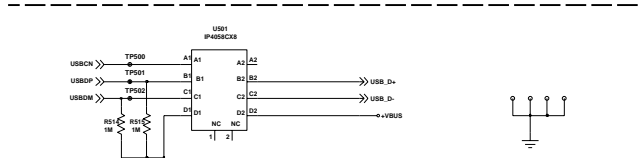
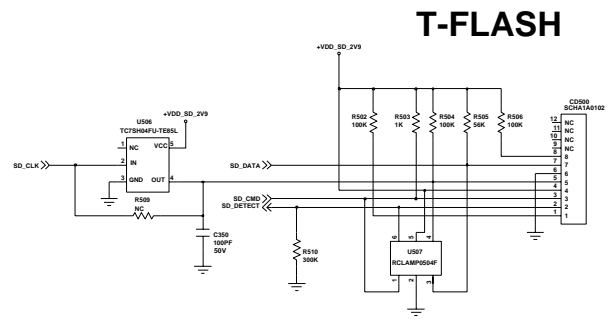
MELODY IC



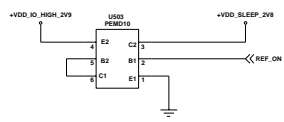
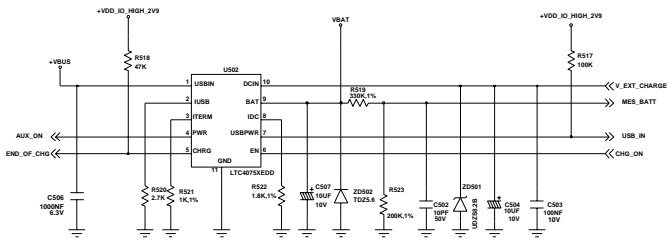
IMAGE_DSP



THERMISTOR

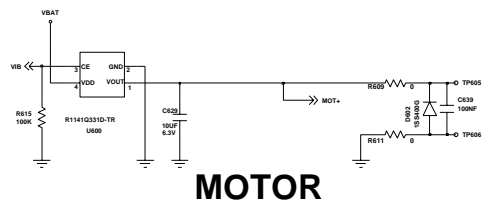
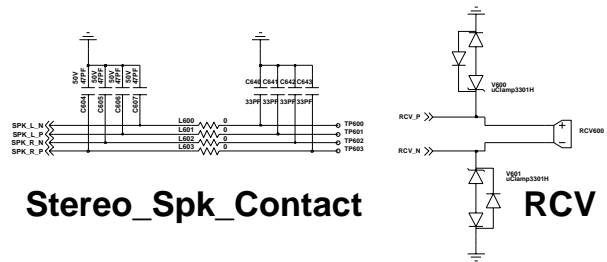
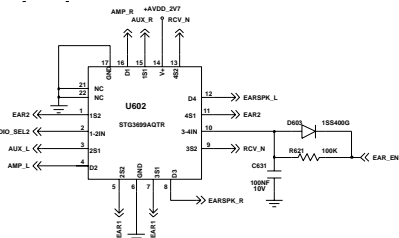
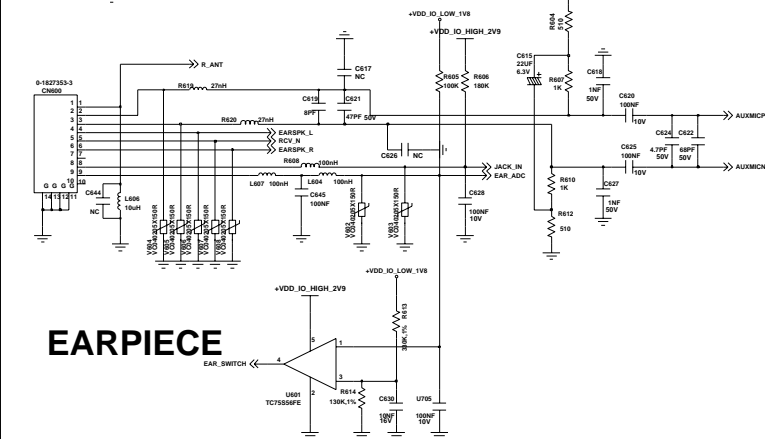
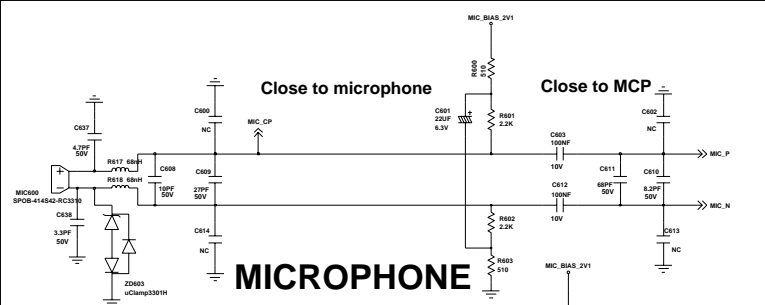


PCB_HOLE



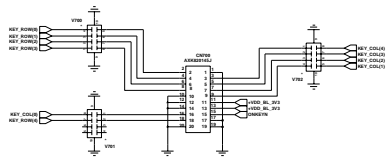
BATTERY CHARGING

Title			
IF Connector & Charging Schematic			
Size	A3	Document Number	SAMSUNG/SGH-X700B.B1F & CHARGING
Date:	2005.10.26.	Sheet	5 of 7
Rev	Rev 1.1		

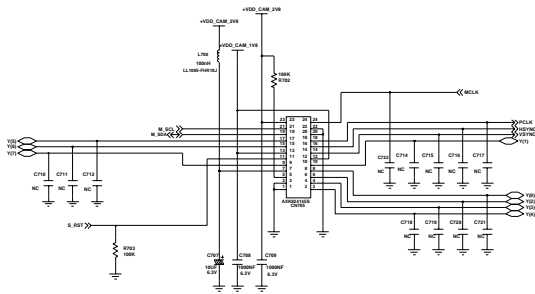
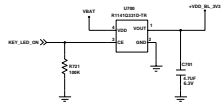


EARPIECE

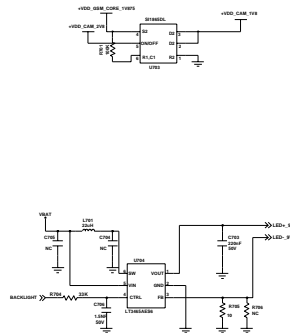
MOTOR



KEY BACKLIGHT



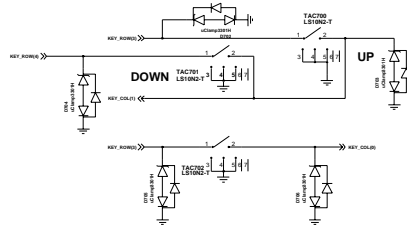
CAMERA



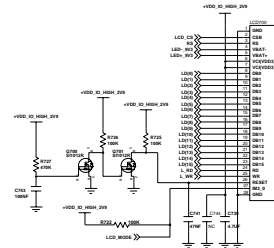
LCD BACKLIGHT



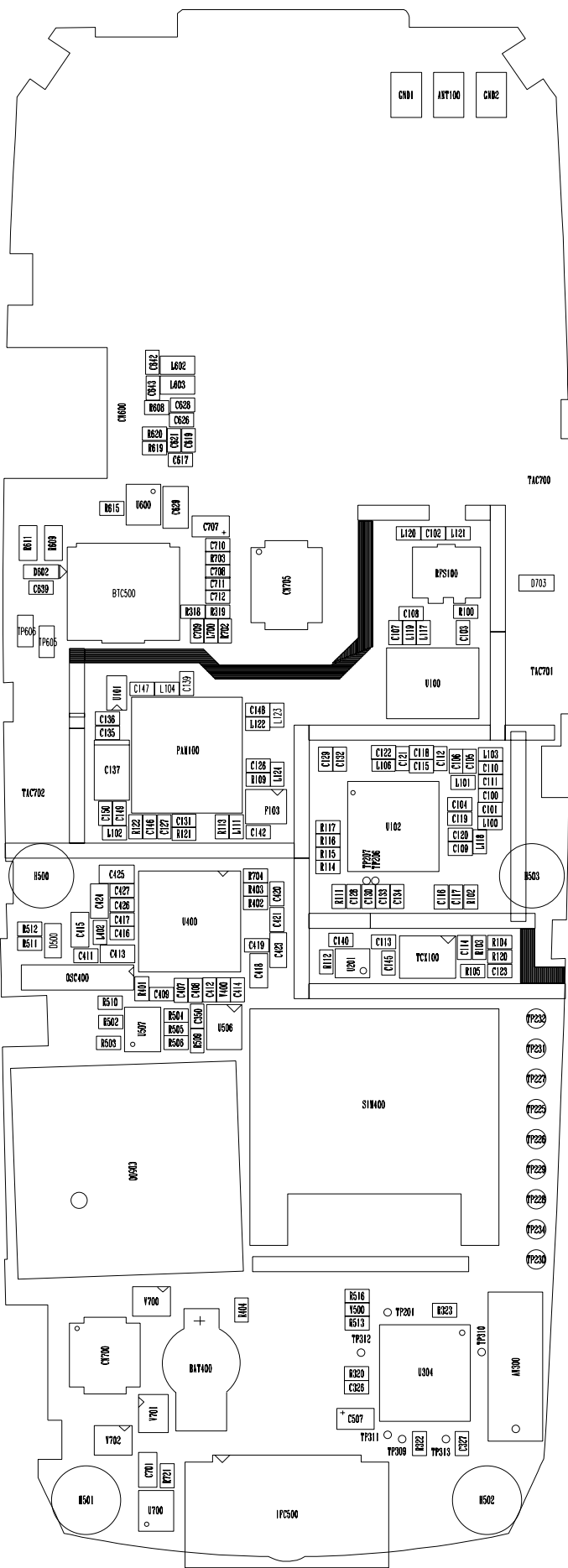
VOLUME_KEY

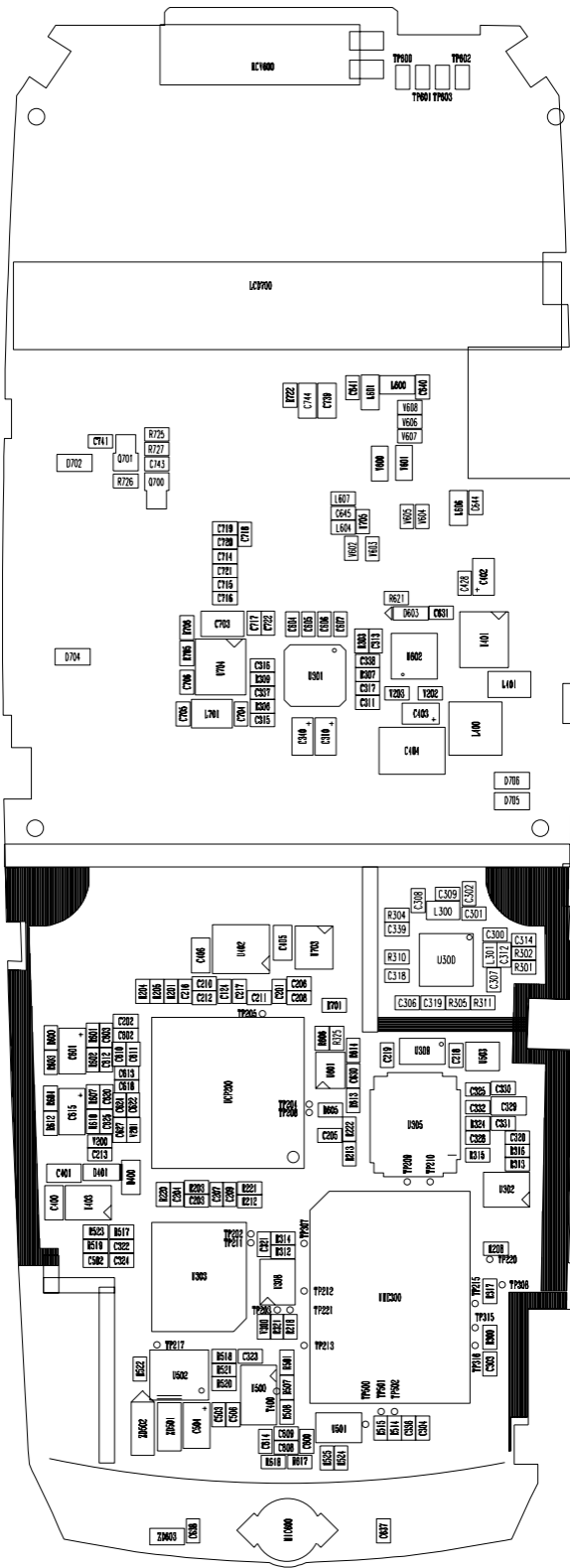


CAMERA_KEY



LCD CONNECTOR





www.s-manuals.com