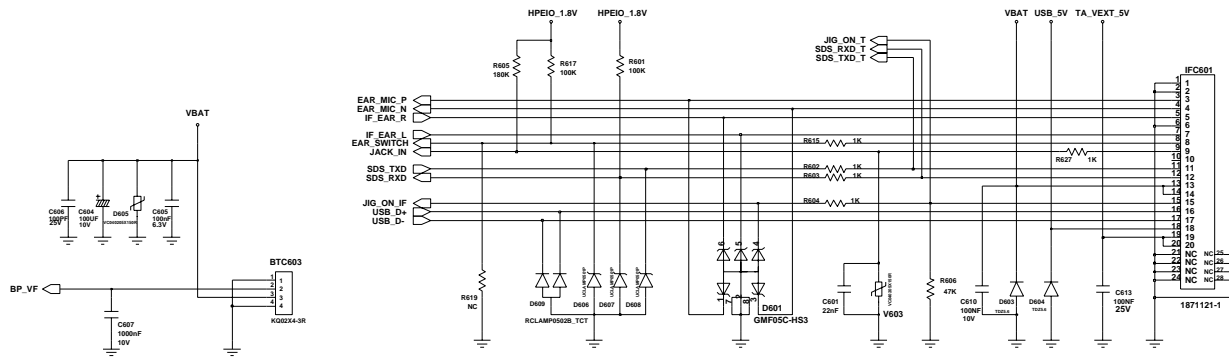


BLUETOOTH

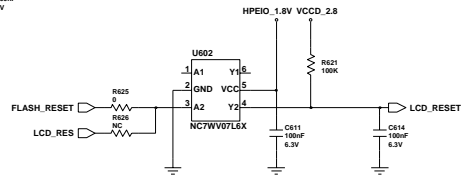
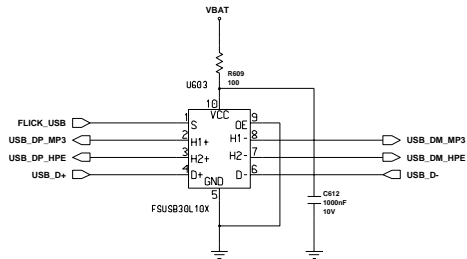
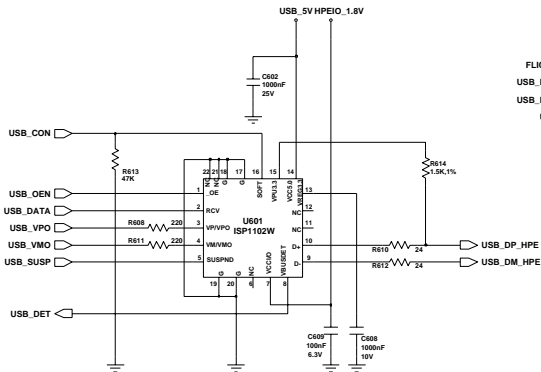
CHARGER

HPE(CORE/IO)

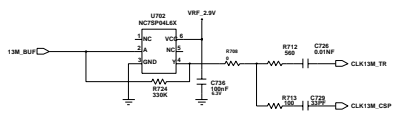
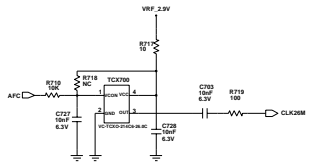
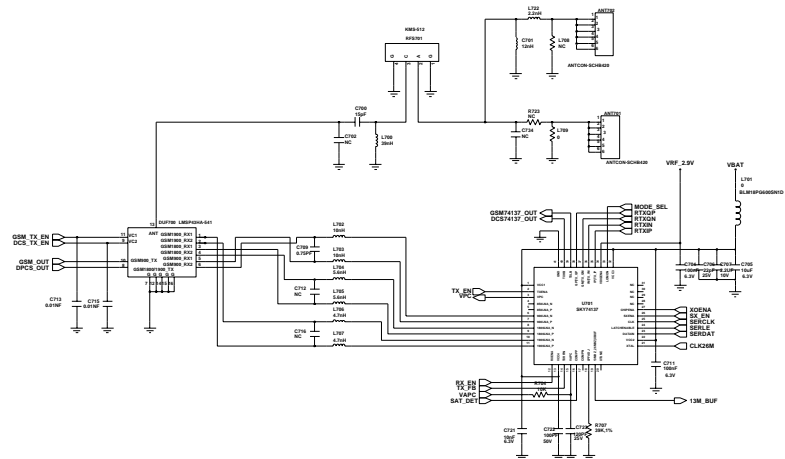
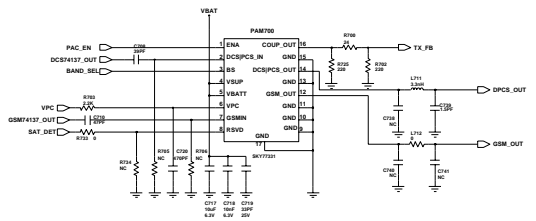
Engineer	SAMSUNG ELECTRONICS
Drawn by	TITLE
DOCCHECK/CHK	SGH-X830_rev_2.1
DATE	DESIGN NUMBER



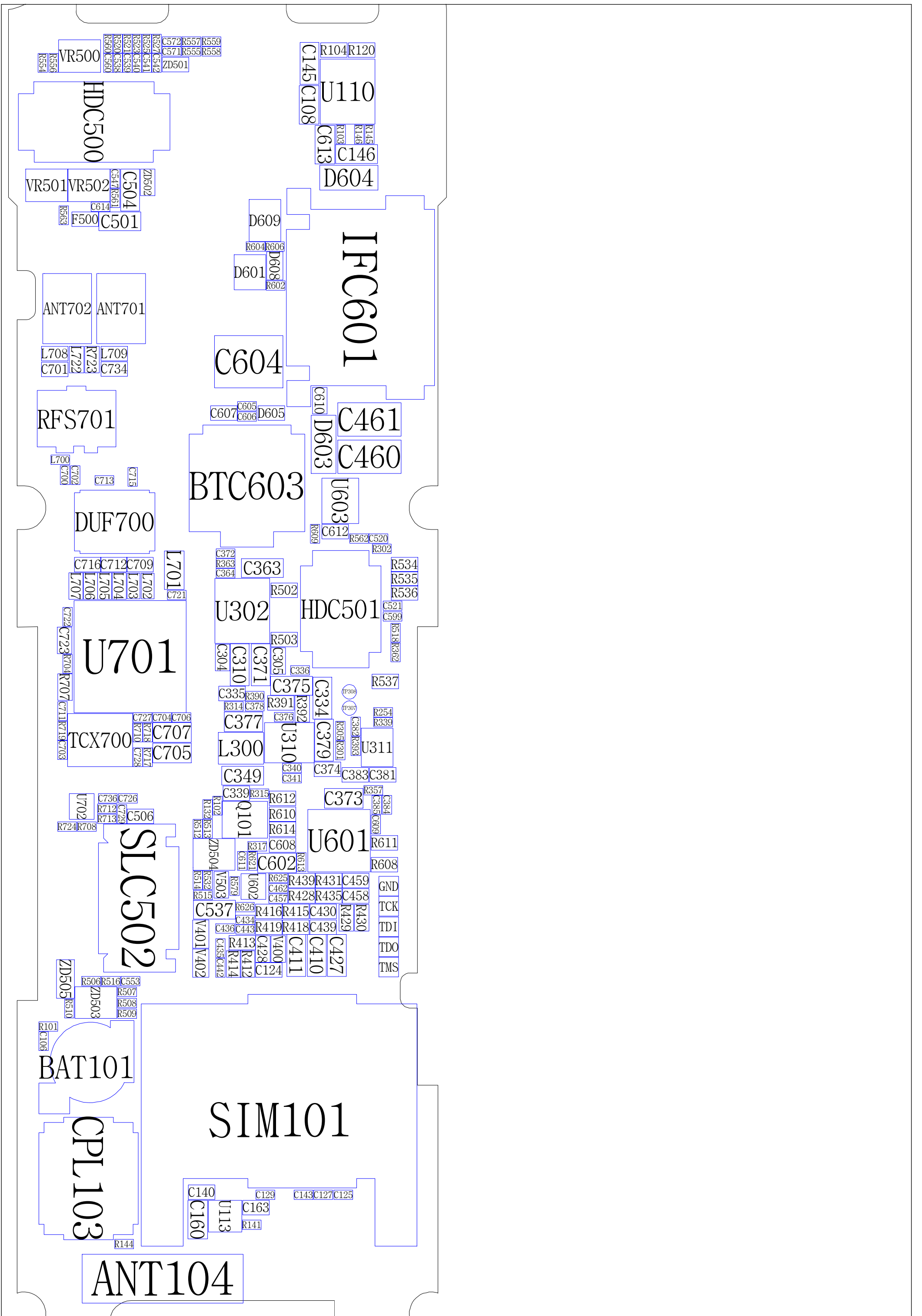
I/F CONNECTOR



Engineer	SAMSUNG ELECTRONICS	
Drawn by		
R&D CHK	TITLE:	Site
DOC CTRL CHK	SGH-X830_rev_2.1	
MFG ENGR CHK		



Engineer		SAMSUNG ELECTRONICS
Drawn by		DATE
Checked by		DATE
Approved by		DATE
SGH-X830_rev_2.1		



www.s-manuals.com