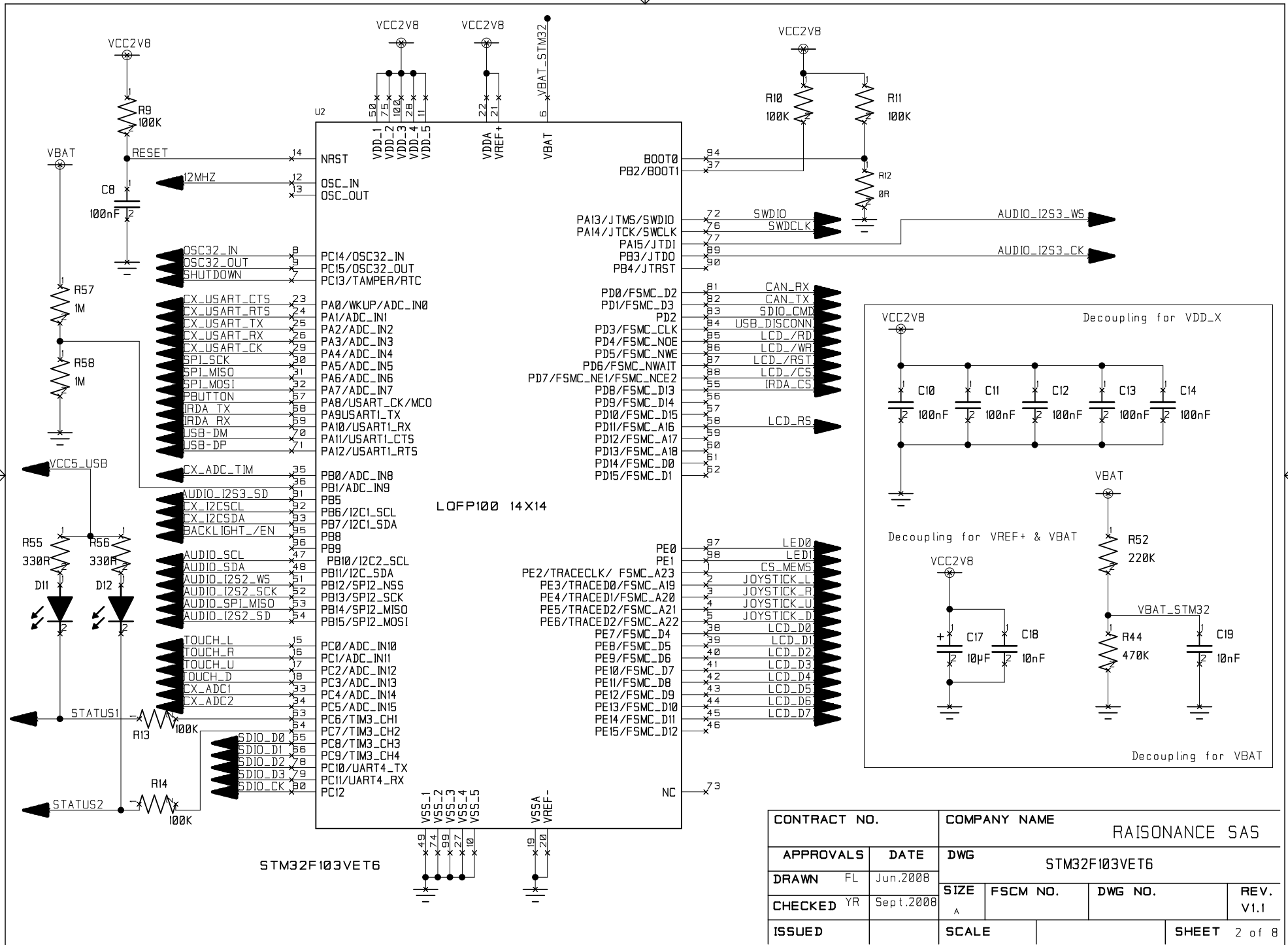
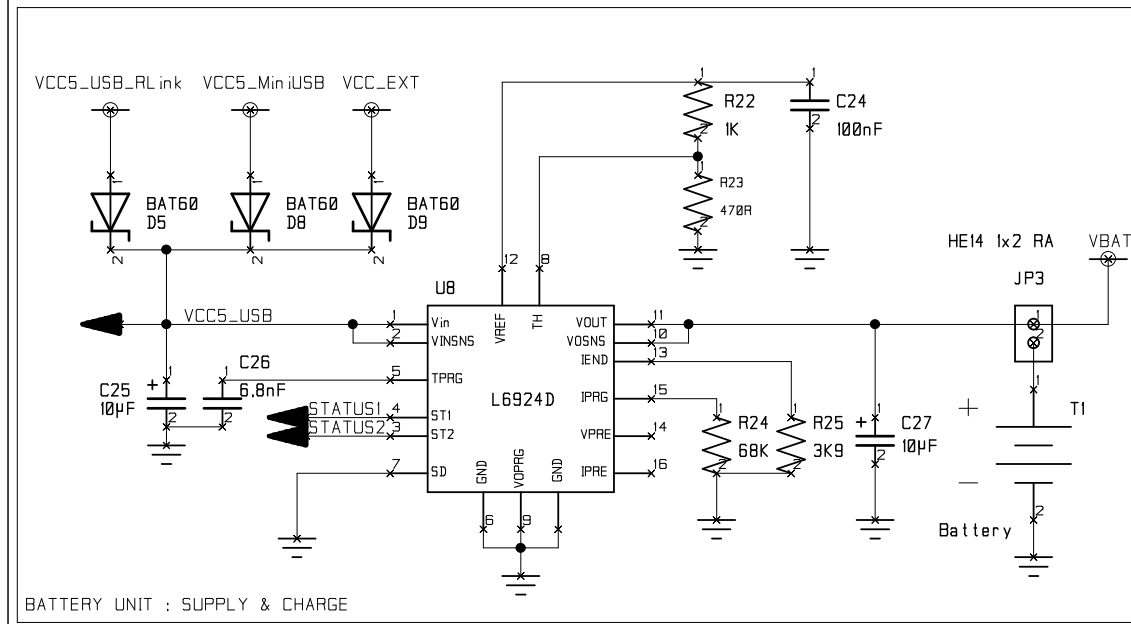
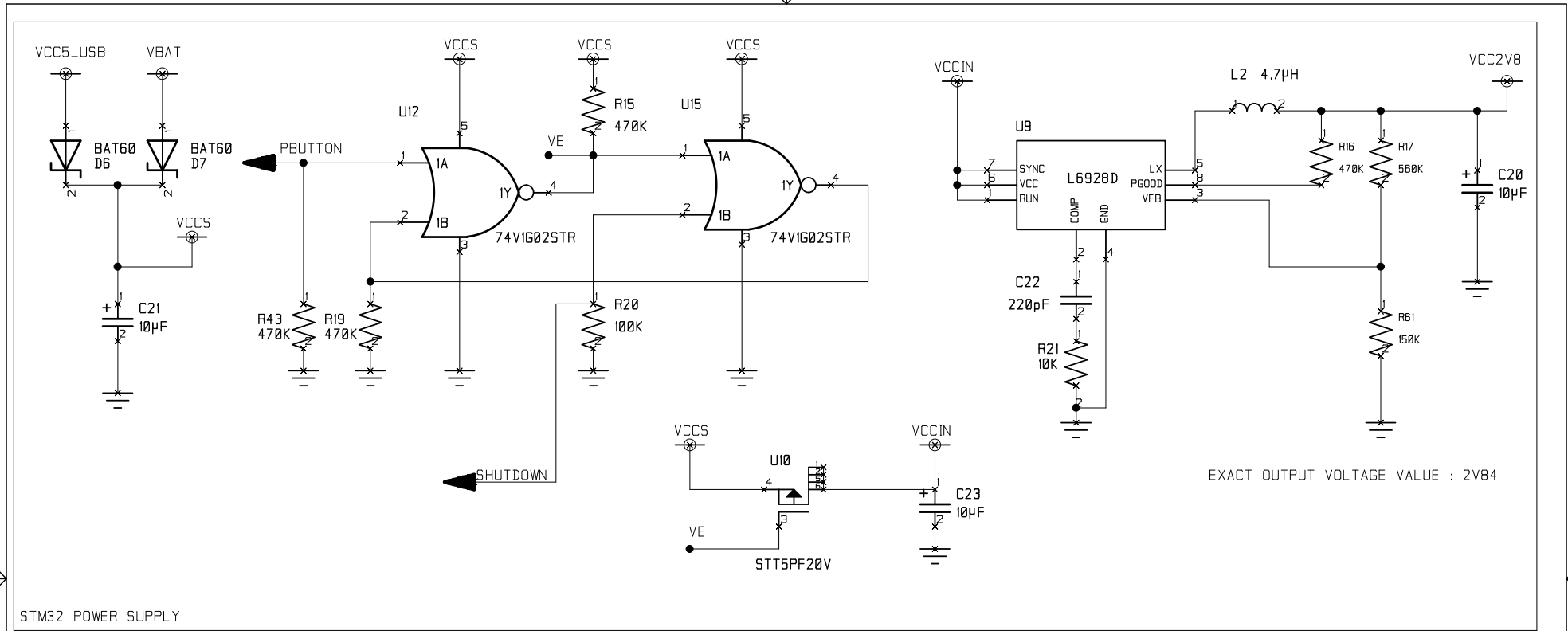


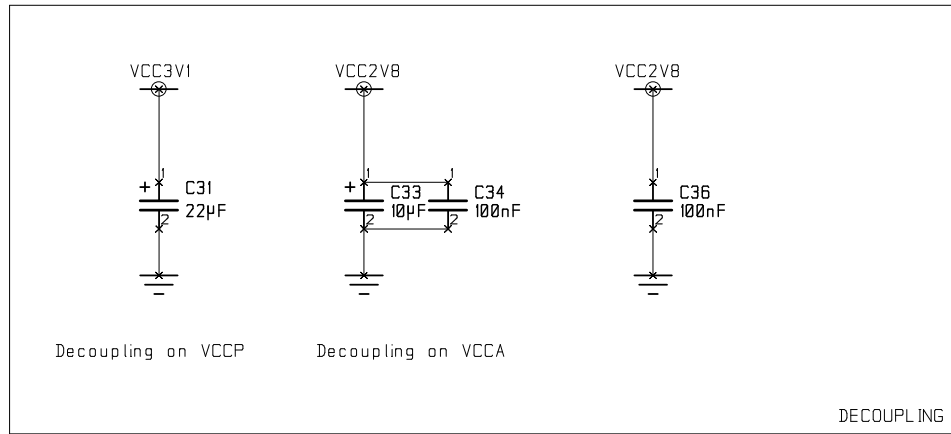
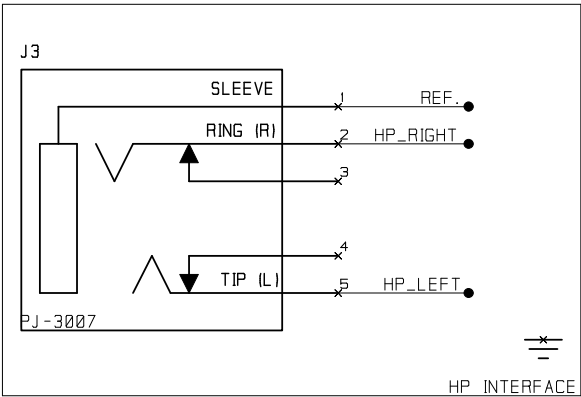
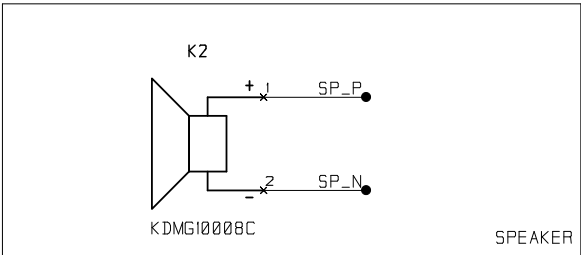
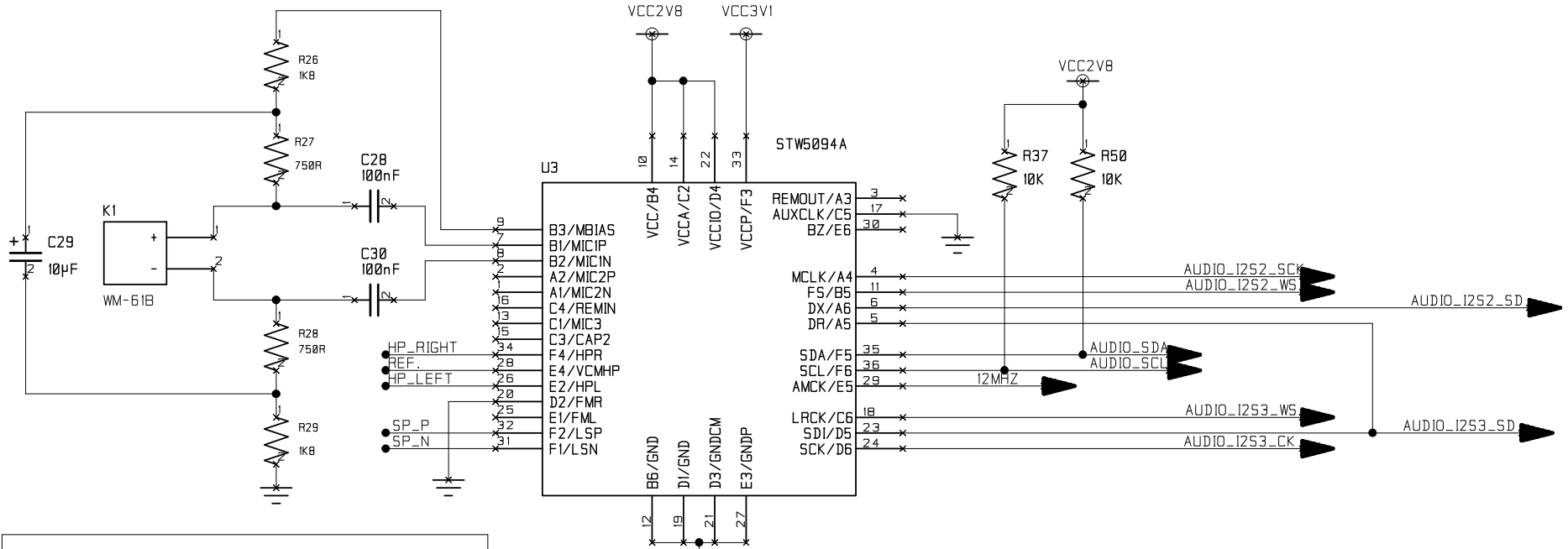
CONTRACT NO.		COMPANY NAME			
		RAISONANCE SAS			
APPROVALS	DATE	DWG			
DRAWN	FL Jun.2008	EMBEDDED RL INK			
CHECKED	YR Sept.2008	SIZE	FSCM NO.	DWG NO.	REV.
ISSUED		A			V1.1
		SCALE	1:1	SHEET 1 of 8	



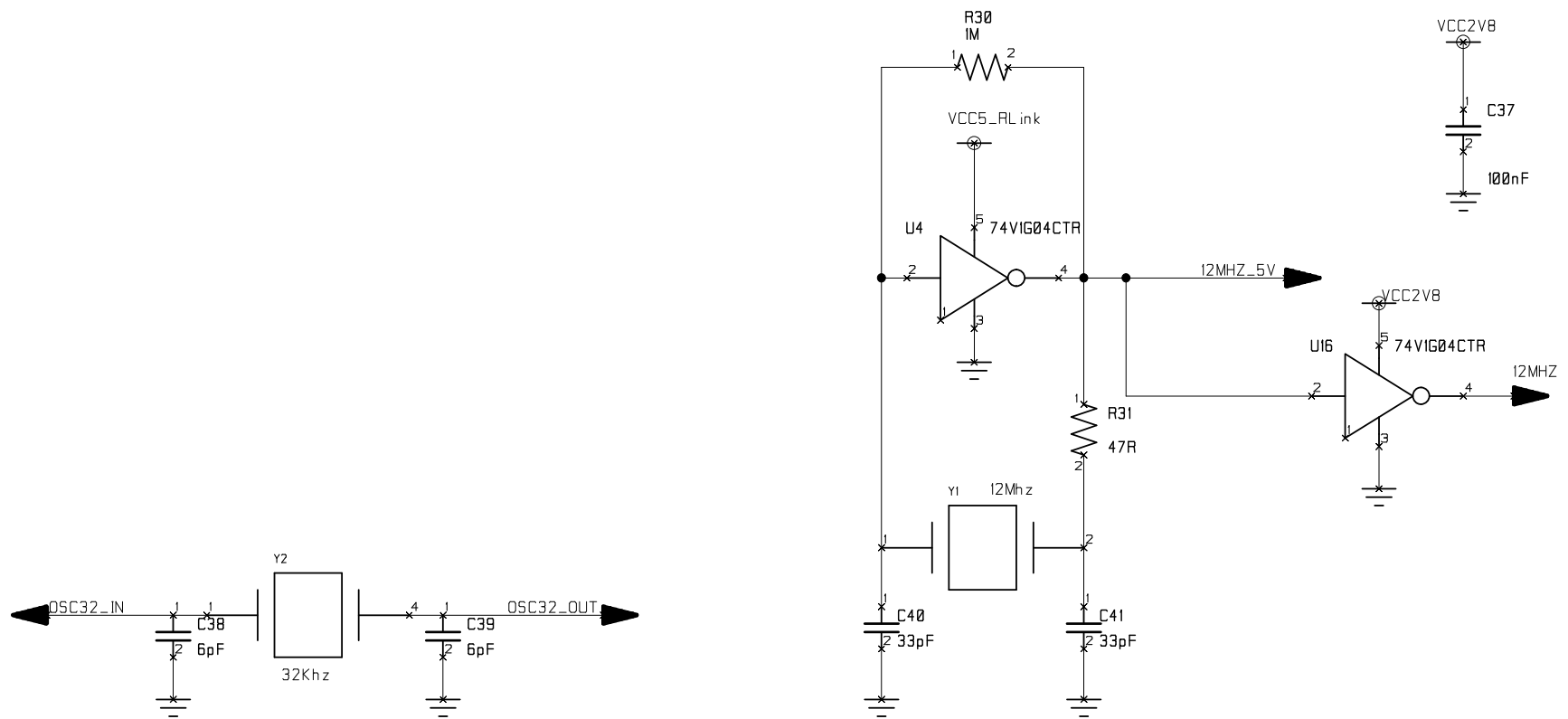
CONTRACT NO.		COMPANY NAME RAISONANCE SAS			
APPROVALS	DATE	DWG STM32F103VET6			
DRAWN	FL	Jun.2008	SIZE	FSCM NO.	DWG NO.
CHECKED	YR	Sept.2008	A		REV. VI.1
ISSUED			SCALE		SHEET 2 of 8



CONTRACT NO.		COMPANY NAME RAISONANCE SAS			
APPROVALS	DATE	DWG GENERAL POWER SUPPLY			
DRAWN	FL	Jun.2008	SIZE	FSCM NO.	DWG NO.
CHECKED	YR	Sept.2008	A		REV. V1.1
ISSUED			SCALE		SHEET 3 of 8

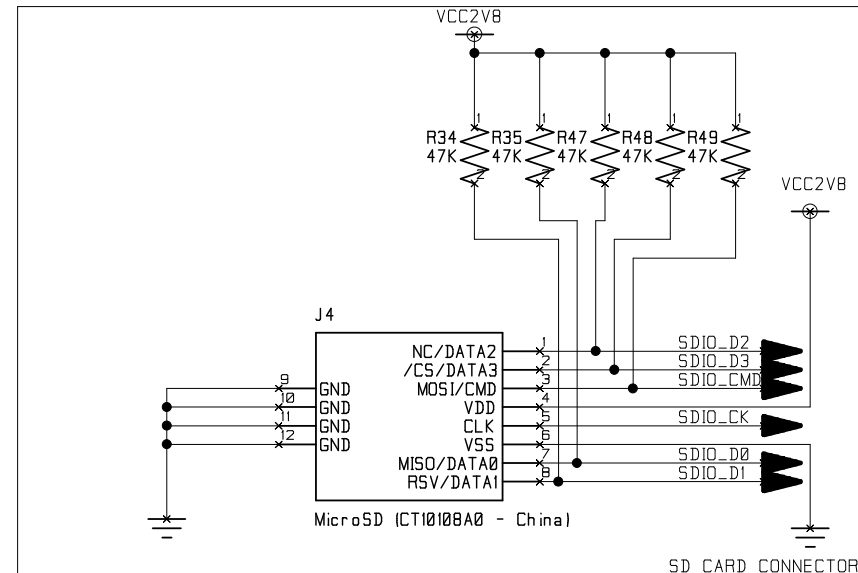
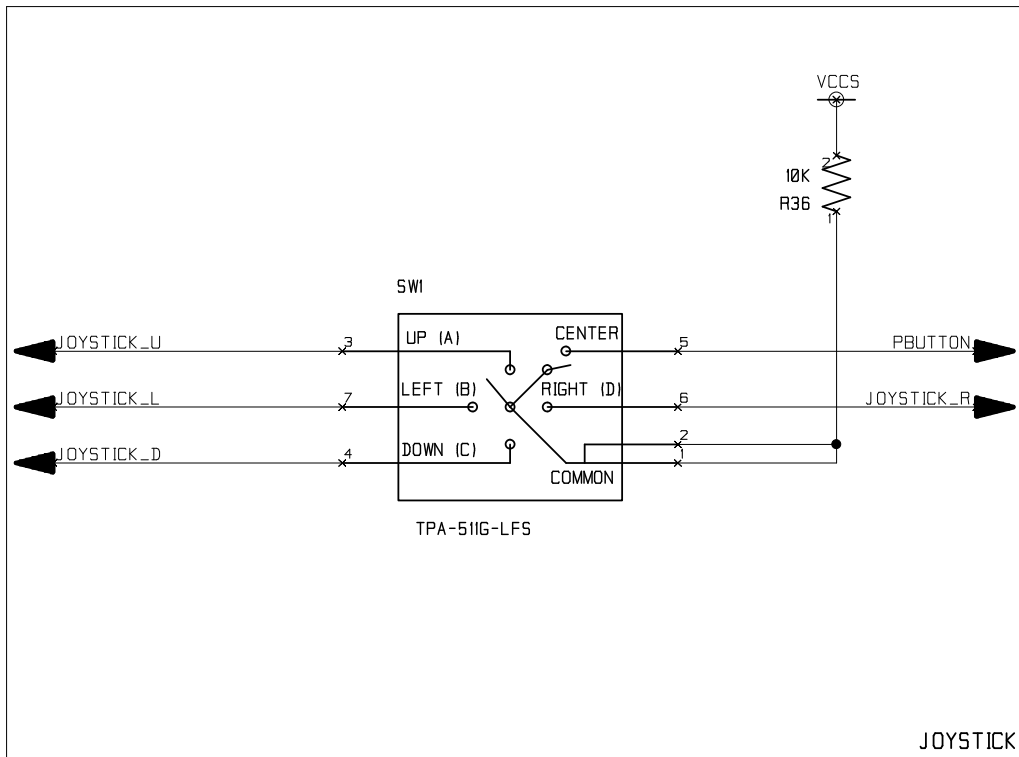
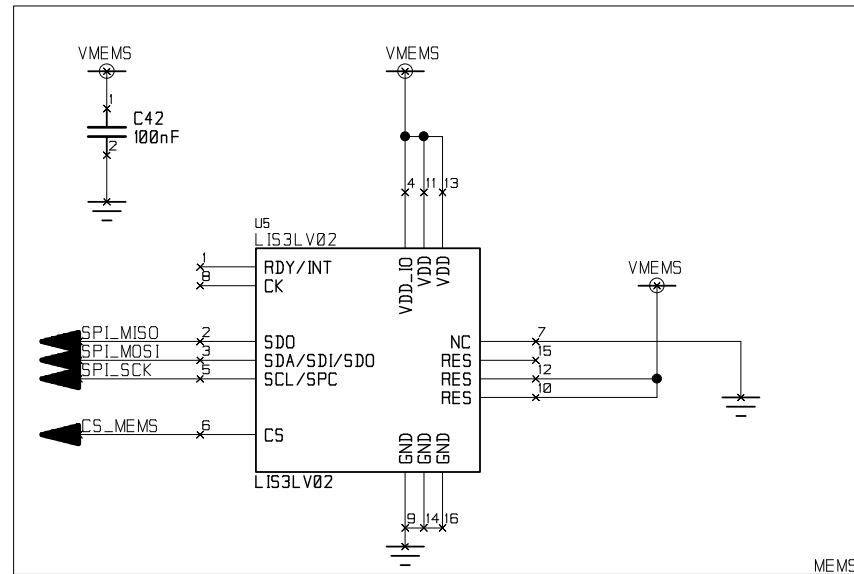
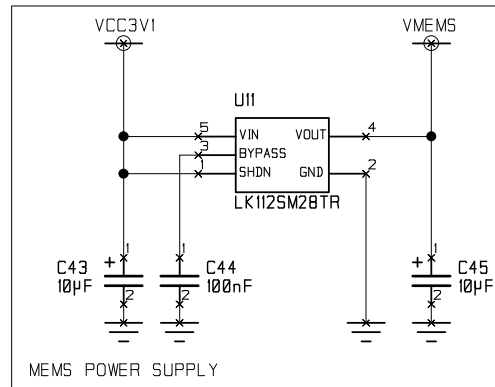
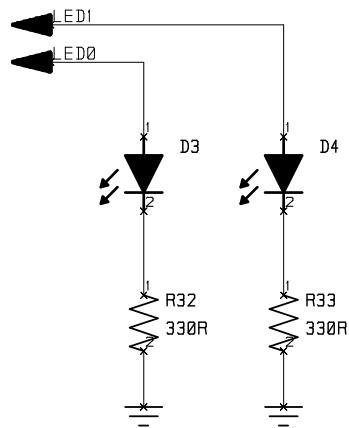


CONTRACT NO.		COMPANY NAME			
		RAISONANCE SAS			
APPROVALS	DATE	DWG			
DRAWN		SIZE	FSCM NO.	DWG NO.	REV.
CHECKED		A			VI.1
ISSUED		SCALE		SHEET 4 of 8	

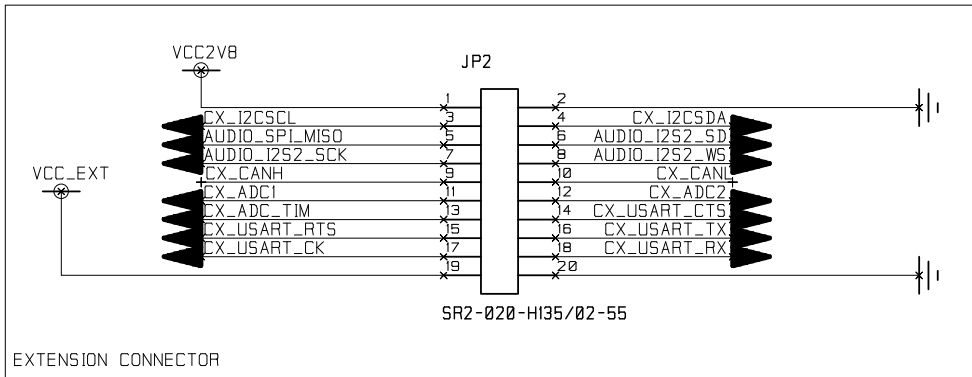
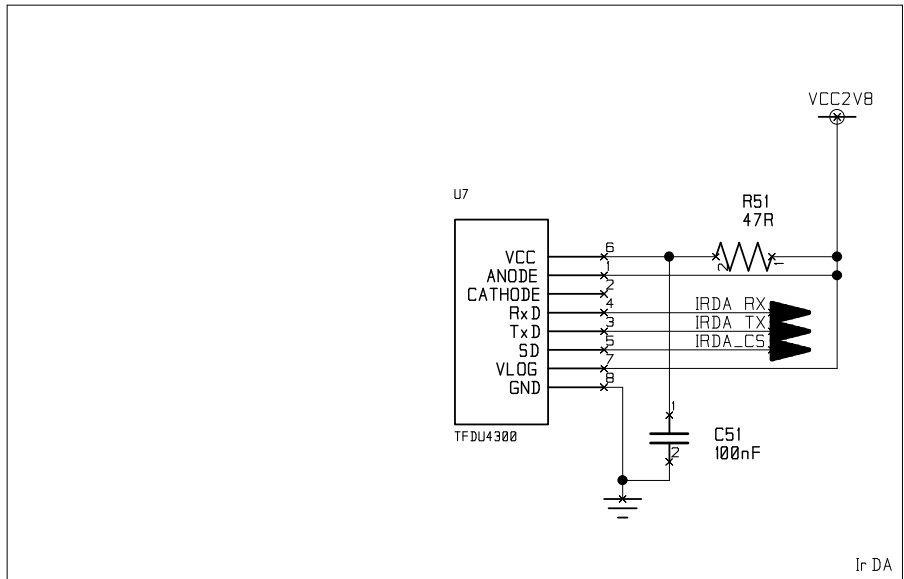
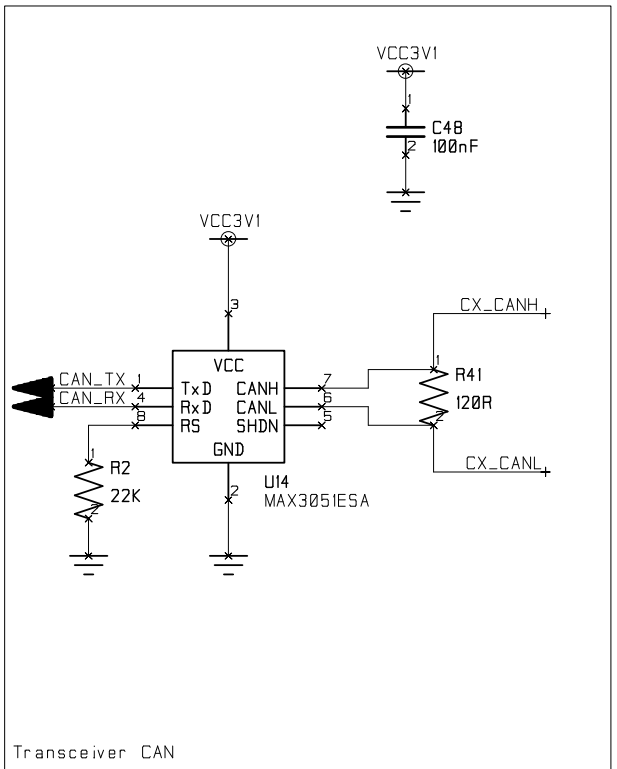
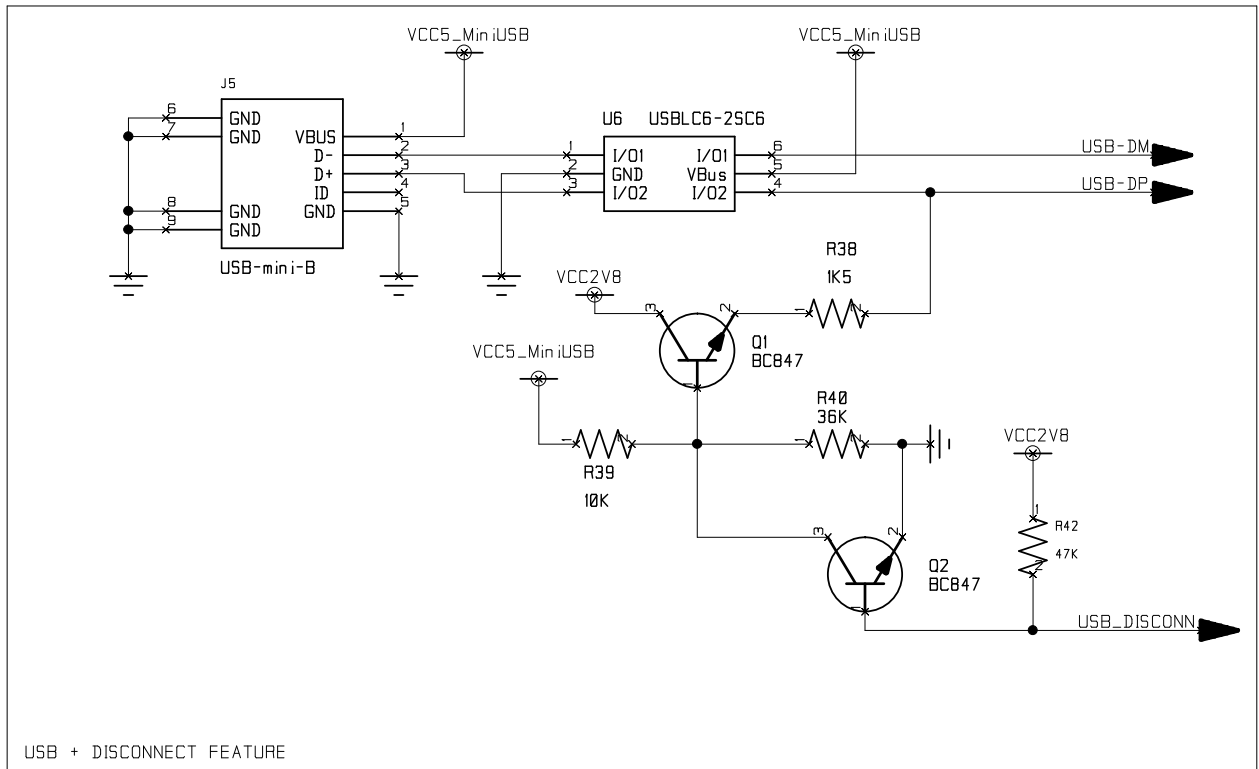


Default capacity value for 32Khz crystal : 6pF
 Final value will depend on available crystal for manufacturing

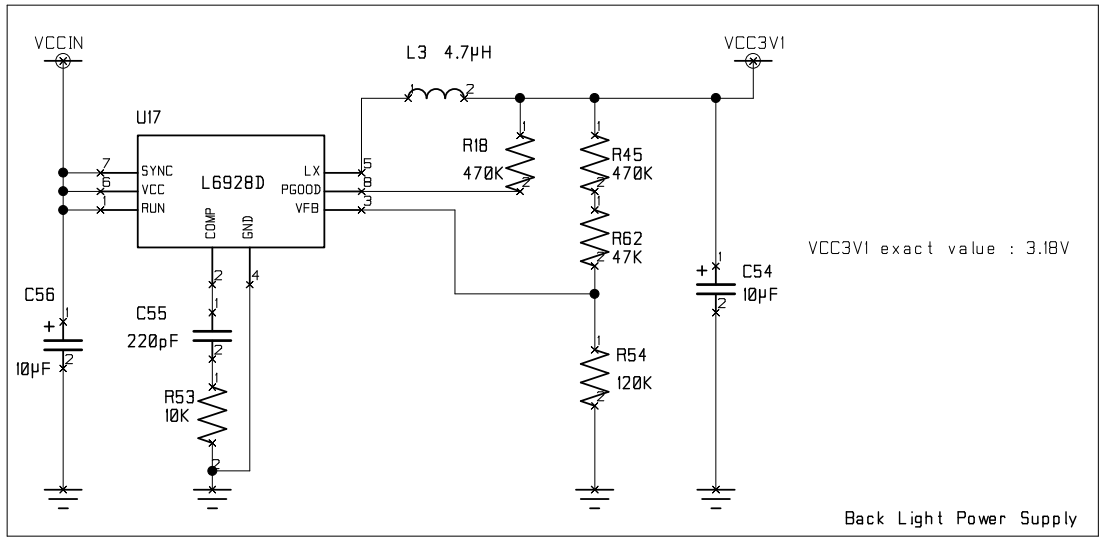
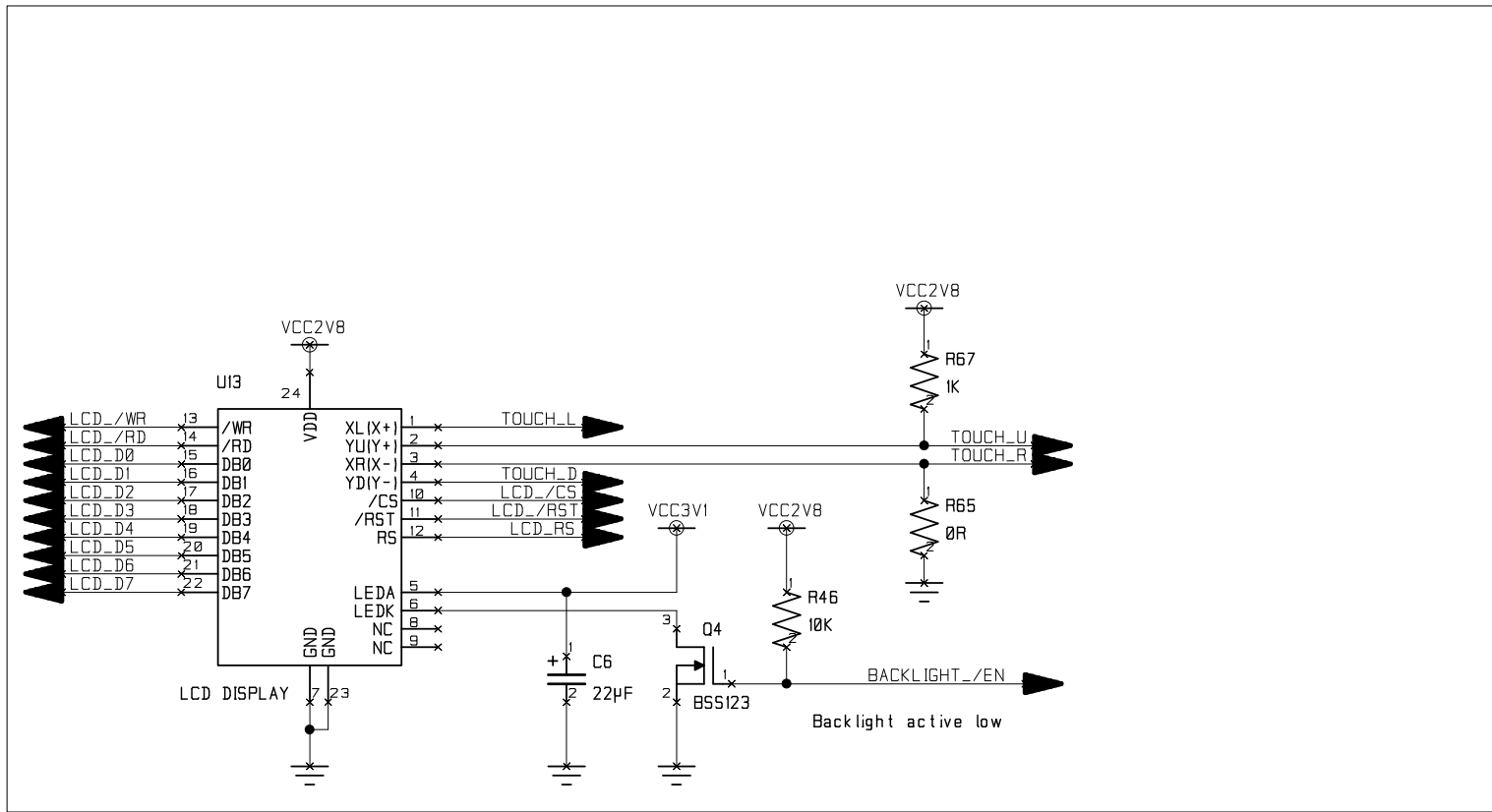
CONTRACT NO.		COMPANY NAME RAISONANCE SAS			
APPROVALS	DATE	DWG CLOCK SOURCE			
DRAWN		SIZE	FSCM NO.	DWG NO.	REV.
CHECKED		A			V1.1
ISSUED		SCALE		SHEET 5 of 8	



CONTRACT NO.		COMPANY NAME RAISONANCE SAS			
APPROVALS	DATE	DWG PERIPHERALS PAGE1: MEMS.JOYSTICK,SDCARD, LEDS			
DRAWN	FL	Jun.2008	SIZE	FSCM NO.	DWG NO.
CHECKED	YR	Sept.2008	A		REV. V1.1
ISSUED			SCALE		SHEET 6 of 8



CONTRACT NO.		COMPANY NAME			
		RAISONANCE SAS			
APPROVALS	DATE	DWG			
DRAWN	FL Jun.2008	PERIPHERALS PAGE 2 : USB, IrDA, Extension			
CHECKED	YR Sept.2008	SIZE	FSCM NO.	DWG NO.	REV.
ISSUED		A			VI.1
		SCALE		SHEET 7 of 8	



CONTRACT NO.		COMPANY NAME RAISONANCE SAS			
APPROVALS	DATE	DWG LCD			
DRAWN	FL	Jun.2008	SIZE A	FSCM NO.	DWG NO.
CHECKED	YR	Sept.2008			REV. V1.1
ISSUED			SCALE		SHEET 8 of 8