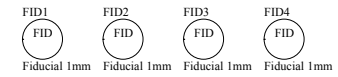


PA19	TXCLK PA19
PA13	TXD1 PA13
PA12	TXD0 PA12
PA16	TXEN PA16
PA15	RXD1 PA15
PA14	RXD0 PA14
PA17	RXDV PA17
PA18	RXER PA18
PA20	MDC PA20
PA21	MDIO PA21
	ETHINT
	MDINTR
	NRST



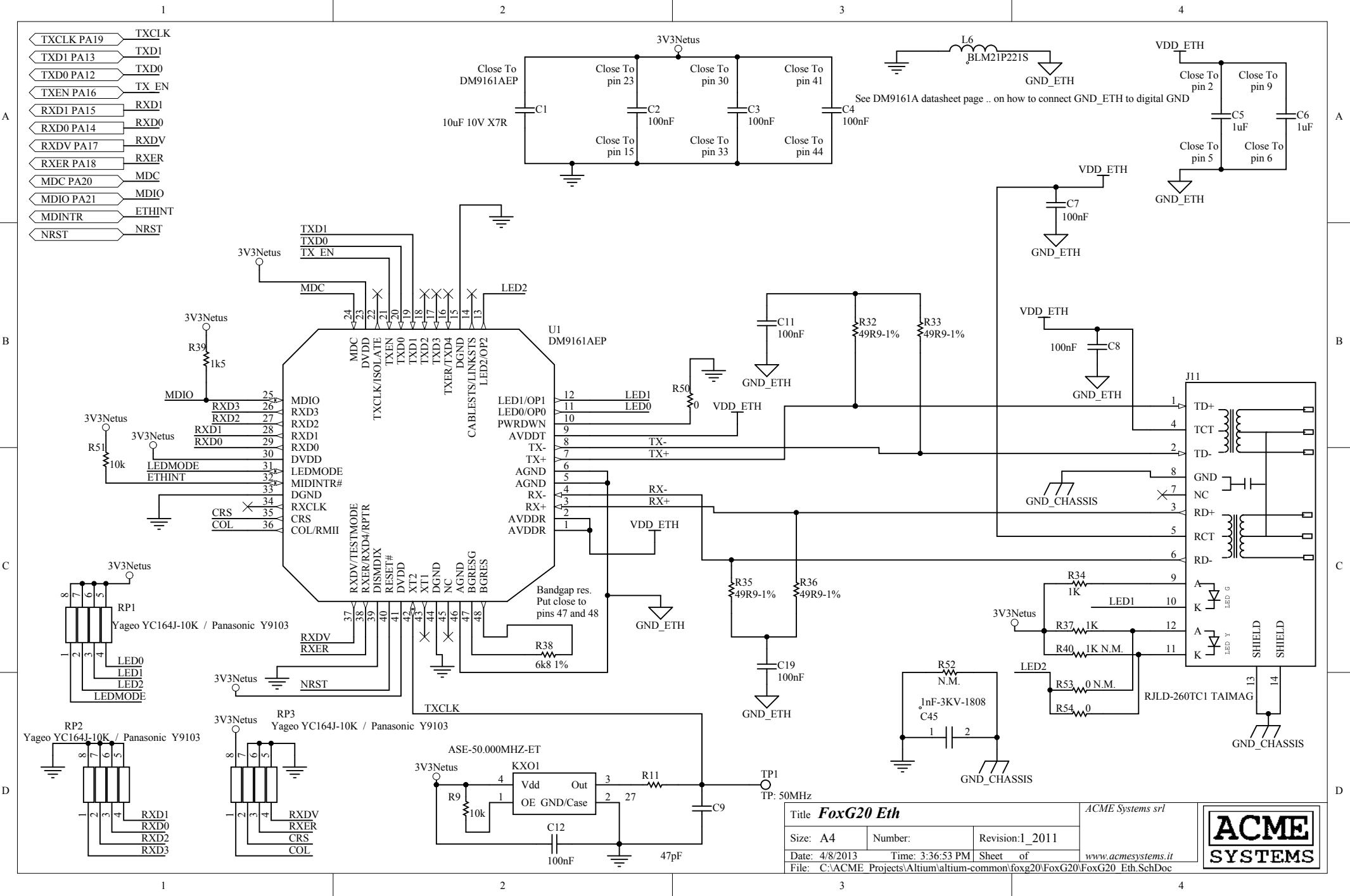
USE	USE	USE	USE	USE	
PA0 SPI0_MISO/MCDB0	DATAFLASH/MMCB	PB0 SPI1_MISO/TIOA3	I/O J7	PC0 AD0/SCK3	I/O J6 1.8V
PA1 SPI0_MOSI/MCDB1	DATAFLASH/MMCB	PB1 SPI1_MOSI/TIOB3	I/O J7	PC1 AD1/PCK0	I/O J6 1.8V
PA2 SPI0_SPCK/	DATAFLASH/MMCB	PB2 SPI1_SPCK/TIOA4	I/O J7	PC2 AD2/PCK1	I/O J6 1.8V
PA3 SPI0_NPCS0/MCDB3	MMCB	PB3 SPI1_NPCS0/TIOA5	I/O J7	PC3 AD3/SPI1_NPCS3	I/O J6 1.8V
PA4 RTS2/MCDB2	MMCB	PB4 TXD0/	J6-9 usart0	PC4 A23/SPI1_NPCS2	I/O J6 1.8V
PA5 CTS2/MCDB1	MMCB	PB5 RXD0/	J6-8 usart0	PC5 A24/SPI1_NPCS1	I/O J7 1.8V SW
PA6 MCDA0/	MCDA0	PB6 TXD1/TCLK1	J6-5 usart1	PC6 TIOB2/CFCE1	I/O J7 1.8V SW
PA7 MCDA1/	ETHINT/MMCA	PB7 RXD1/TCLK2	J6-4 usart1	PC7 TIOB1/CFCE2	I/O J7 1.8V USBdev ALIM
PA8 MCK1/	MCCKA & B	PB8 TXD2/	J6-4 4D_TX	PC8 NCS4/CFCS0/RTS3	
PA9 MCDA1/	ETHINT/MMCA	PB9 RXD2/	J6-4 4D_RX	PC9 NCS5/CFCS1/TIOB0	
PA10 MCDA2/ETX2	ETH/MMCA	PB10 TXD3/ISL_D8	I/O J6	PC10 A25/CFRNV/CTS3	
PA11 MCDA3/ETX3	ETH/MMCA	PB11 RXD3/ISL_D9	I/O J6	PC11 NCS2/SPI0_NPCS1	CS_DATAFLASH
PA12 ETX0/	ETH	PB12 TXD5/ISL_D10	I/O J6	PC12 IRQ0/NCST	
PA13 ETX1/	ETH	PB13 RXD5/ISL_D11	I/O J6	PC13 FIO/NCSE6	
PA14 ERX0/	ETH	PB14 DRXD/	J10-4 debugRx	PC14 NCS3/NANDCS IRQ2	
PA15 ERX1/	ETH	PB15 DTXD/	J10-3 debugTx	PC15 NWAIT/IRQ1	SWITCH
PA16 ETXEN/	ETH	PB16 TIO/TCLK3	I/O J7		
PA17 ERXDV/	ETH	PB17 TFO/TCLK4	I/O J7		
PA18 ERXER/	ETH	PB18 TDO/TIOB4	I/O J7		
PA19 ETXCK/	ETH	PB19 RDO/TIOB5	I/O J7		
PA20 EMDC/	ETH	PB20 RKO/ISL_D0	I/O J6		
PA21 EMDIO/	ETH	PB21 RFO/ISL_D1	I/O J6		
PA22 ADTRG/ETXER	ETH	PB22 DSR0/ISL_D2	J7-32 usart0		
PA23 TW/ETX2	J6-32 I2C data	PB23 DCR0/ISL_D3	J7-31 usart0		
PA24 TWCK/ETX3	J6-31 I2C clk	PB24 DTR0/ISL_D4	J7-34 usart0		
PA25 TCLK0/ERX2	ETH	PB25 RIO/ISL_D5	J7-33 usart0		
PA26 TIOA0/ERX3	ETH	PB26 RTS0/ISL_D6	J6-7 usart0		
PA27 TIOA1/ERXCK	ETH	PB27 CTS0/ISL_D7	J6-10 usart0		
PA28 TIOA2/ECRS	ETH	PB28 RTS1/ISL_PCK	J6-3 usart1		
PA29 SCK1/ECOL	ETH	PB29 CTS1/ISL_VSYNCC	J6-6 usart1		
PA30 SCK2/RXD4	I/O J6	PB30 PCK0/ISL_HSYNCC	I/O J6		
PA31 SCK0/TXD4	I/O J6	PB31 PCK1/ISL_MCK	I/O J6		

Title **FoxG20 headers** ACME Systems srl

Size: A4 Number: Revision: 1_2011

Date: 4/8/2013 Time: 3:36:53 PM Sheet 3 of 3 www.acmesystems.it

File: C:\ACME_Projects\Altium\altium-common\foxg20\FoxG20\FoxG20_Headers_SchDoc



Title FoxG20 Eth		ACME Systems srl
Size: A4	Number:	Revision: 1_2011
Date: 4/8/2013	Time: 3:36:53 PM	Sheet of
File: C:\ACME Projects\Altium\altium-common\foxg20\FoxG20\FoxG20_Eth.SchDoc		www.acmesystems.it

