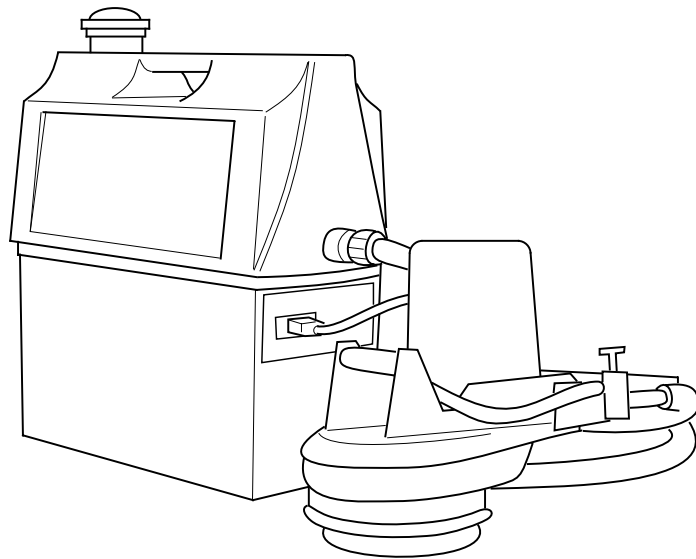


SH 120 / SH 120T



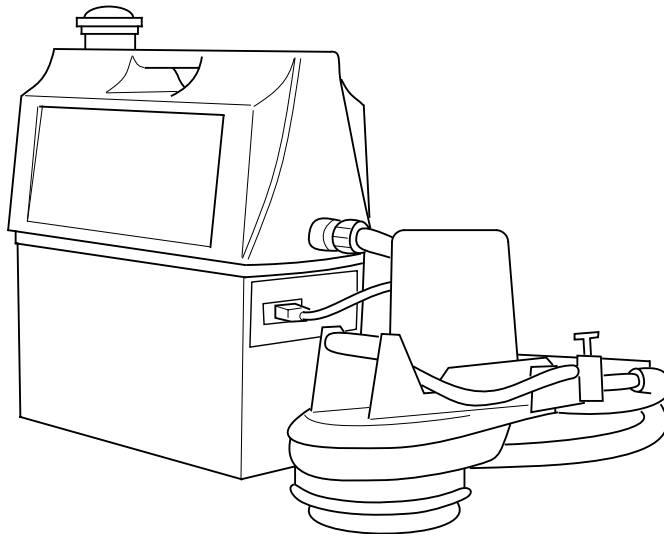
PARTS LIST **Nilfisk MODELS 56254500, 56254505**



Nilfisk
Advance
setting standards

6/97 revised 11/99 FORM NUMBER 56042328
BOOK C SECTION 3.6.1

97-6	TABLE OF CONTENTS	BOOK C		
99-11	SH 120	C	3.6.1	1

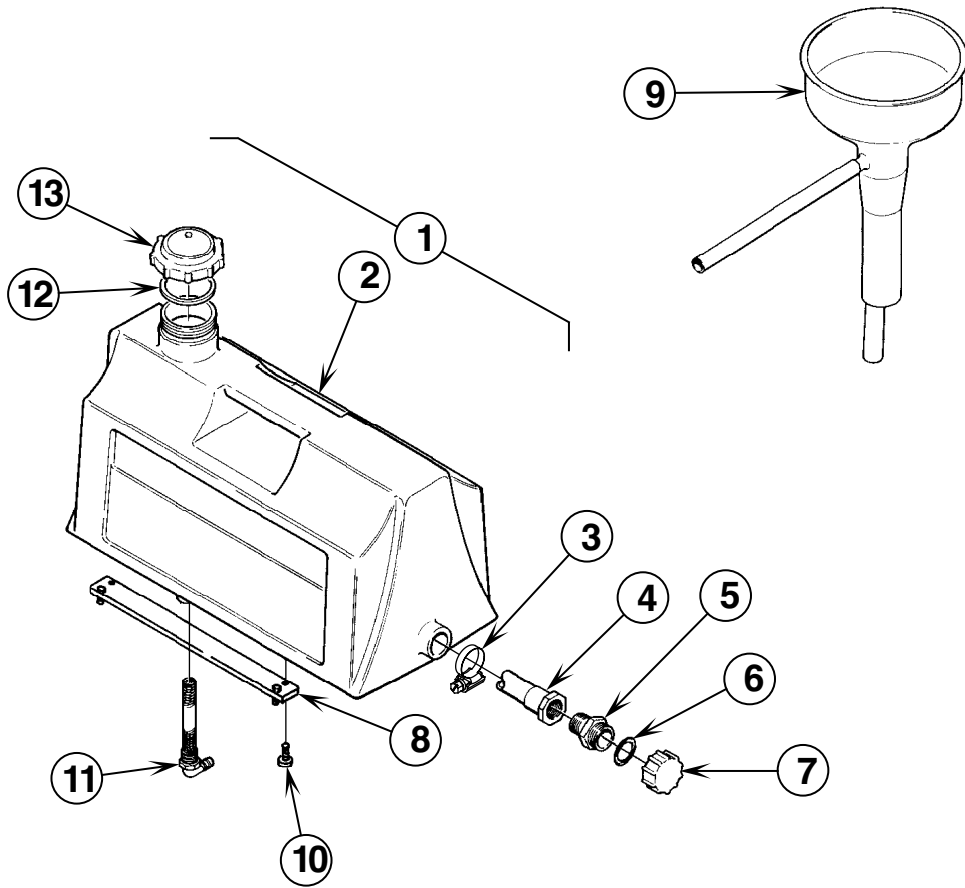


<u>DESCRIPTION</u>	<u>PLAN</u>
Tank Assembly	C-3.6.1-3
SH 120T Power Head	C-3.6.1-5
Compressor Assembly	C-3.6.1-7
Compressor	C-3.6.1-9

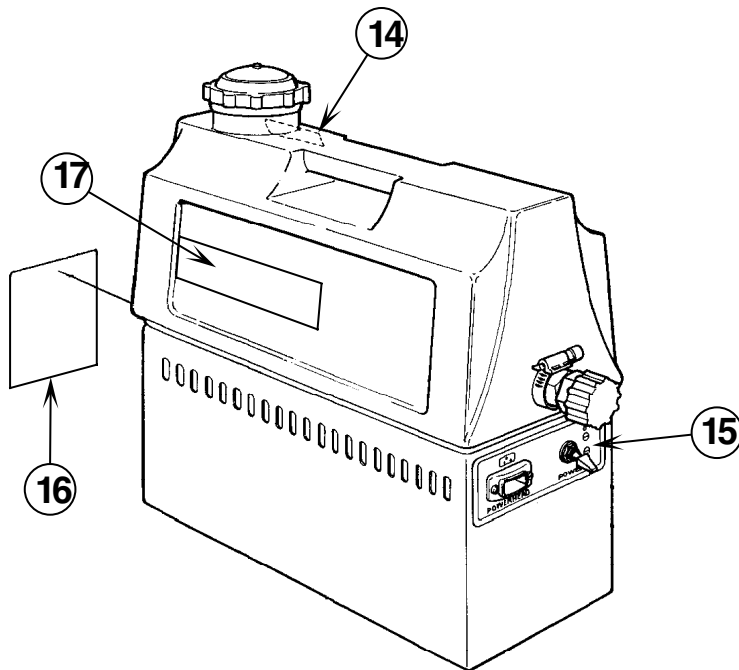
WHEN ORDERING PARTS

- * Use the 8 digit numbers from the "Ref. No." columns in this parts list.
- * Specify the model and serial number of the machine.
- * Use the space below to record the model and serial number for future reference.

Model _____ Serial No. _____

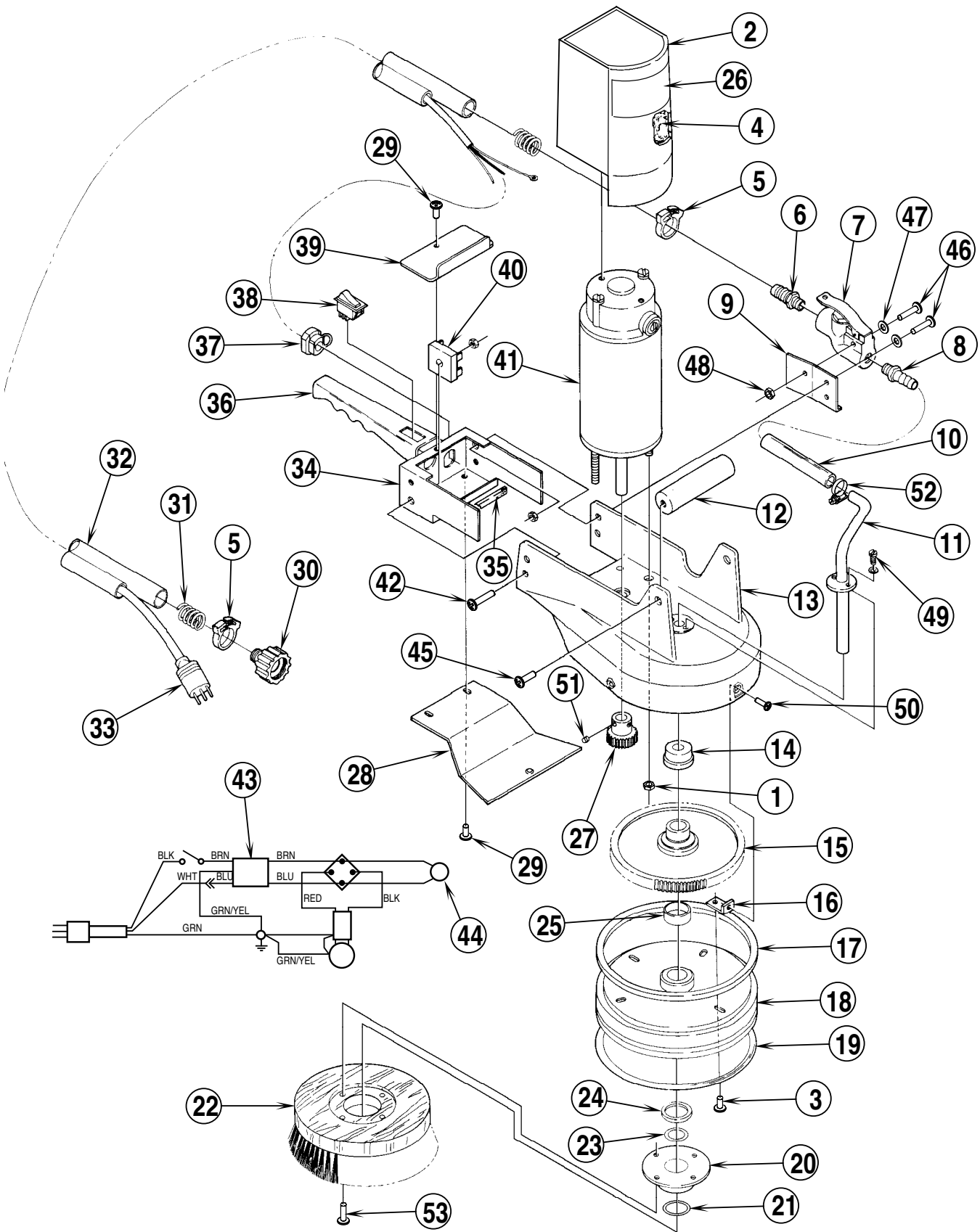


DECAL PLACEMENT



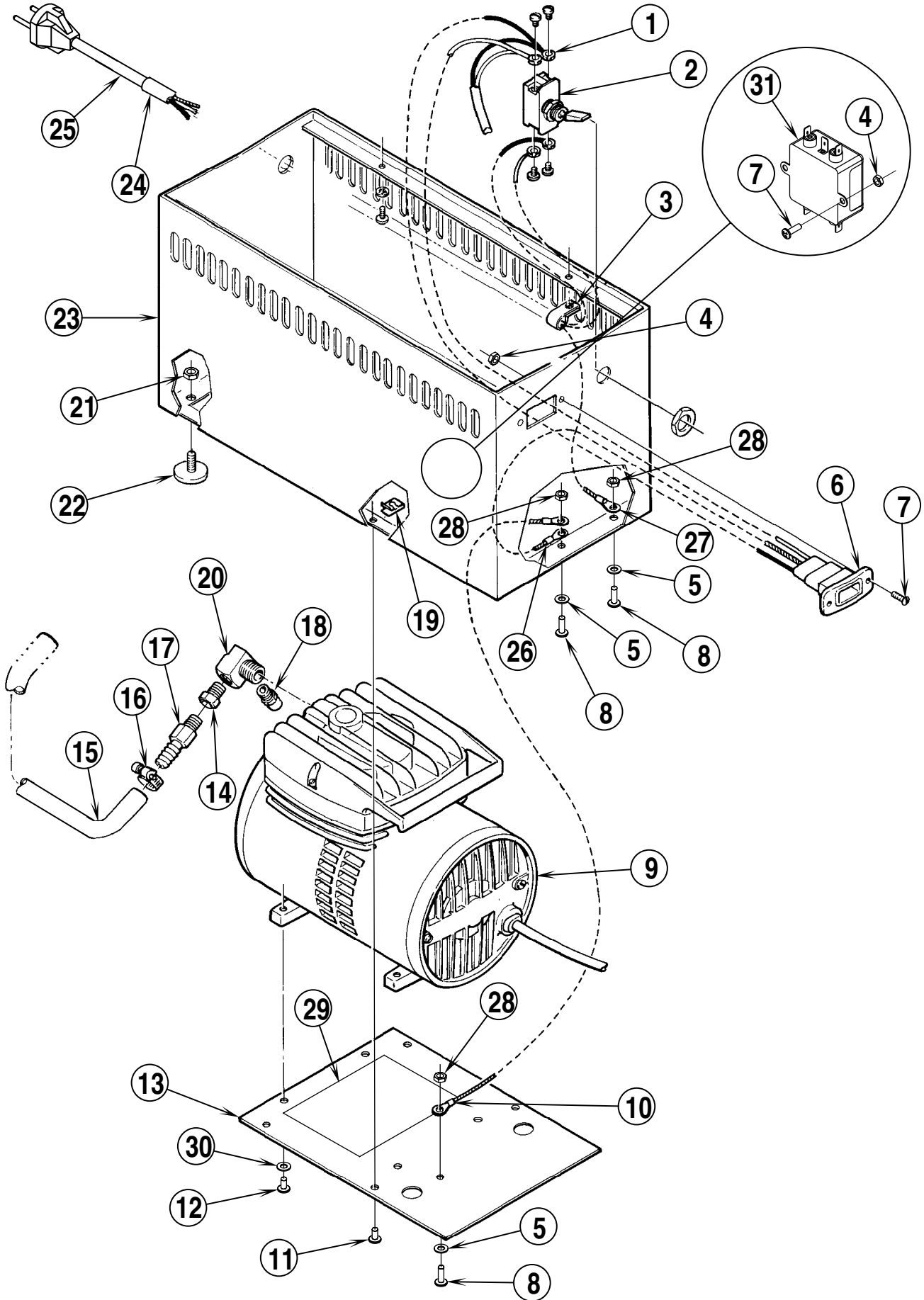
97-6	TANK ASSEMBLY	BOOK C		
99-11	SH 120	C	3.6.1	3

Item	Ref. No.	Qty	Description
1	56254502	1	Tank Assembly
2	56254213	1	Detergent Tank
3	56244969	1	Hose Clamp
4	56254032	1	Tube Assembly
5	56244980	1	Adapter
6	56368776	1	Rubber Washer
7	56255076	1	Cap
8	56254027	2	Adapter Plate
9	56220426	1	Funnel
10	56002001	4	Scr, Pan Phil 10-32 x .38
11	56244987	1	Bubler Fitting
12	56244979	1	Gasket
13	56244866	1	Cap
14	56015121	1	Decal, Instruction
15	56014573	1	Decal, Power
16	56014845	1	Decal, Caution
17	56015983	2	Decal, Nilfisk SH 120



97-6	SH 120T POWER HEAD	BOOK C		
99-11	SH 120	C	3.6.1	5

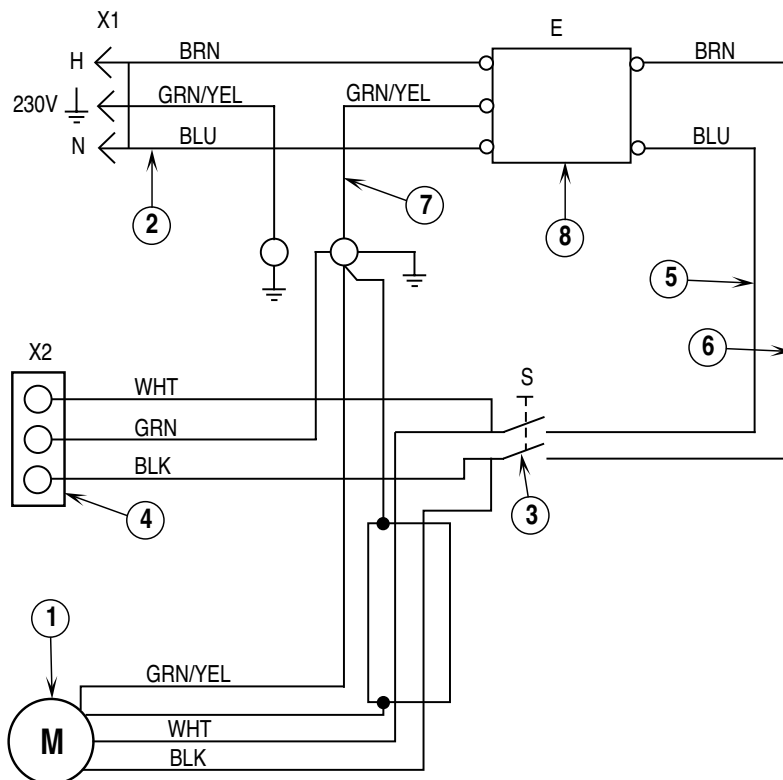
Item	Ref. No.	Qty	Description
	56254505	1	SH 120T Powerhead
1	56003053	2	Nut, Hex Nyl Loc-Thin 10-32
2	56254506	1	Housing
3	56009075	3	Scr, Hex Thd Form 8-32 x .38
4	56254258	1	Sound Reduction Foam
5	56254142	2	Hose Clamp
6	56900750	1	Barb
7	56254256	1	Valve
8	56155640	1	Barb
9	56254253	1	Bracket Weldment
10	56257534	1	Tube
11	56254072	1	Tube Weldment
12	56254046	1	Handle
13	56254217	1	Casting
14	56250414	1	Bushing
15	56254061	1	Gear Assembly
16	56254050	3	Angle
17	56325324	16.5"	Gasket (42 cm)
18	56254064	1	Shroud Weldment
19	56254065	1	Bumper
20	56251105	1	Adapter Brush
21	56251220	1	Quad Ring Seal
22	56251127	1	Brush
23	56253165	1	O-Ring
24	56250716	1	Seal
25	56250694	1	Bushing
26	56015982	1	Decal, Nilfisk SH 120
27	56254257	1	Spur Gear
28	56254254	1	Cover Weldment
29	56009030	5	Scr, Pan Phil Thd Form 10-24 x .38
30	56237045	1	Barb
31	56257856	2	Spring
32	56237041	1	Tube
33	56254053	1	Cord Set
	56254218	1	Hose / Cord Assembly (items 30-33)
34	56254261	1	Handle Weldment
35	56385448	4"	Gasket
36	56254263	1	Grip
37	56382818	1	Strain Relief
38	56254262	1	Switch
39	56254260	1	Handle Cover
40	56180163	1	Rectifier
41	56254230	1	Motor Assembly
	56329651	1	Carbon Brush Cap
	56329655	1	Carbon Brush Set
42	56009029	3	Scr, Pan Phil Thd Form 10-24 x .50
43	56254234	1	Filter, RFI
44	56387554	1	Varistor Assembly
45	56002066	2	Scr, Pan Phil 1/4-20 x .62
46	56002824	2	Scr, Pan Phil 10-24 x 1.25
47	56009011	2	Wsh, Int Shprf #10
48	56002832	4	Nut, Hex Nyl Loc-Thin 10-24
49	56009044	2	Scr, Pan Phil 6-32 x .31
50	56002306	3	Scr, Flt Phil 8-32 x .38
51	56002279	2	Scr, Soc Set Loc 8-32 x .25
52	56756364	1	Hose Clamp
53	56003001	4	Scr, Pan Phil SS 10-24 x .62



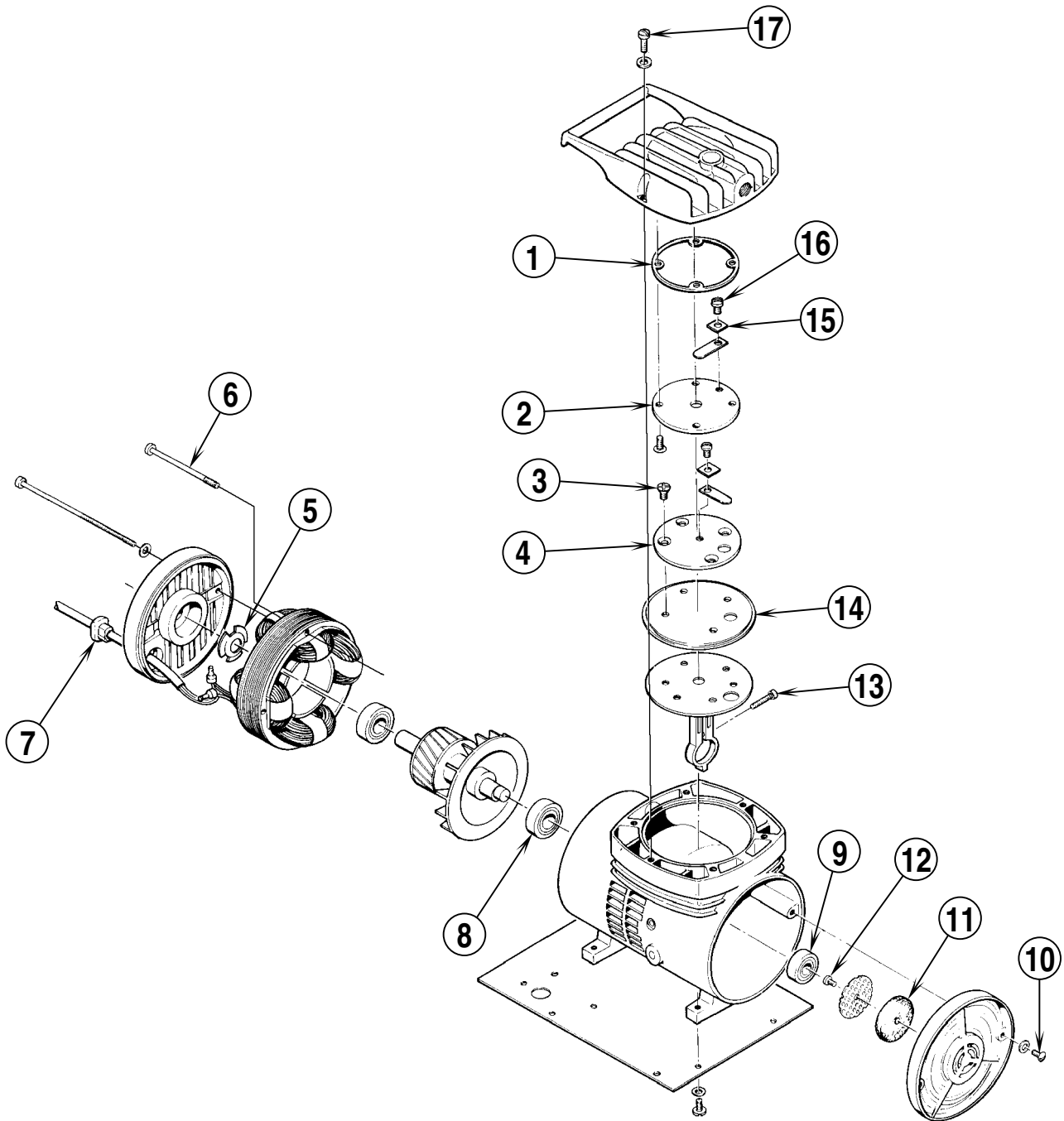
Item	Ref. No.	Qty	Description	Item	Ref. No.	Qty	Description
1	56311229	4	Terminal Ring, #6	19	56255874	4	Spring Nut #8-32
2	56301636	1	Toggle Switch	20	56219798	1	Elbow
*	56756514	1	Boot, Toggle Switch	21	56002861	4	Nut, Hex Nyl Loc 1/4-20
3	56300152	2	Cord Clamp	22	56255884	4	Bumper
4	56002830	4	Nut, Hex Nyl Loc #6-32	23	56254215	1	Weldment Housing
5	56009010	3	Wsh, Int Shprf #8	24	56300602	1	Tube, Rubber
6	56254222	1	Receptacle	25	56254236	1	Cord Set
7	56001904	4	Scr, Pan Phil #6-32 X .38	*	56300540	1	Bracket
8	56002146	5	Scr, Pan Phil #10-24 X .62	*	56300542	1	Cord Clamp
9	56219215	1	Compressor	*	56009161	2	Scr, Hex Thd Form #8-32 x .50
10	56254088	1	Wire Assembly	26	56325329	2	Terminal Ring #10
11	56001818	5	Scr, Pan Phil #8-32 X .38	27	56469898	3	Ring Terminal #8
12	56002043	4	Scr, Pan Phil #10-24 X .38	28	56002865	4	Nut, Hex Nyl Loc-Thin #8-32
13	56255866	1	Compressor Shield	29	56016216	1	Decal, Wiring
14	56218510	1	Check Valve	30	56009011	4	Wsh, Int Shprf #10
15	56379107	1	Hose				
16	56219932	2	Hose Clamp	56254501	1	Compressor Assy (everything except SH 120T)	
17	56752754	1	Barb				
18	56257990	1	Relief Valve				

* = Not Shown

WIRING DIAGRAM



Item	Ref. No.	Qty	Description
1	56219215	1	Compressor
2	56254236	1	Cord Set
3	56301636	1	Toggle Switch
4	56254222	1	Receptacle
5	56391544	1	Wire Assembly Blue
6	56391545	1	Wire Assembly Brown
7	56254235	1	Wire Assembly Grn/Yel
8	56254233	1	Filter, RFI



97-6	COMPRESSOR	BOOK C		
99-11	SH 120	C	3.6.1	9

Item	Ref. No.	Qty	Description
	56219215	1	Compressor Assembly
1	56220953	1	Gasket
2	56220930	1	Plate, Exhaust Valve
3	56002306	8	Scr, Flt Phil 8-32 X .38
4	56220958	1	Plate, Intake Valve
5	56220533	1	Load Spring
6	56220522	2	Screw
7	56163015	1	Strain Relief
8	56220529	1	Bearing, Ball Housing
9	56220528	1	Bearing, Connecting Rod
10		2	Scr, Rd Hd 10-24 X .75
11	56220513	1	Filter
12	56009036	1	Scr, Pan Phil Thd Form 8-32 X .25
13	56002487	1	Scr, Soc Hd 10-24 X .75
14	56220950	1	Diaphragm
15	56220963	2	Valve Keeper Strip
16		2	Scr, Rd Hd 6-32 X .12
17		6	Scr, Fillister Hd 10-24 X .50

DANMARK

Nilfisk-Advance Nordic A/S
 Myntevej 3, 8900 Randers
 ☎ 86 42 84 33 – Fax 86 41 19 55

NORGE

Nilfisk-Advance AS
 Enebakkn, 119, 0680 Oslo, Postboks 196, Manglerud,
 0612 Oslo
 ☎ 22 08 63 50 – Fax 22 08 63 63
 Distriktsrepresentanter over hele landet

SVERIGE

Nilfisk-Advance AB
 Sjöbjörnsvägen 5, 117 67 Stockholm
 ☎ 085 55 944 00 – Fax 085 55 944 30

FINLAND/ SUOMI

BERNER Ltd. Facotek Department
 Etäleranta 4B, 00130 Helsinki
 ☎ +358 9 1345 1382

AUSTRALIA

Nilfisk-Advance Pty. Ltd.
 ACN 003 762 623
 Head office: 17 Leeds Street, Rhodes, N. S. W. 2138
 ☎ (02) 9736 1244 – Fax (02) 9736 3910
 Customer Responce Centre:
 ☎ 1 800 011 013

BELGIQUE / BELGIË/ LUXEMBOURG

Nilfisk-Advance s.a./n.v.
 Doornveld/ Sphere Business Park
 Industrie Asse 3, nr 11 – bus 41
 1731 Zellik-Asse
 ☎ (02) 467.60.50 Fax (02) 463.44.16

CANADA

Nilfisk-Advance Ltd.
 396 Watline Avenue
 Mississauga, Ontario L4Z 1X
 ☎ (905) 712-3260 – Fax (905) 712-3255

DEUTSCHLAND

Nilfisk-Advance AG
 Siemensstraße 25-27
 25462 Rellingen
 ☎ (041 01) 3990 – Fax (04101) 399191
 Zentraler Kundenservice
 ☎ für die Industrie: 0180 535 67 97
 ☎ Institutionen und Gebäudereiniger: 0180 500 11 70

FRANCE

Nilfisk-Advance S.A.
 BP 246
 91944 Courtaboeuf Cedex
 ☎ (01) 69.59.87.00 Télécopie (01) 69.59.87.01

HONG KONG

Nilfisk-Advance Ltd.
 2001, 20/F HK Worsted Mills
 Industrial Building
 31-39 Wo Tong Tsui Street
 Kwai Chung, N.T.
 ☎ 2427 59 51 – Fax 2487 5828

IRELAND

Nilfisk-Advance Ltd.
 28 Sandyford Office Park
 Dublin 18
 ☎ +353 1 2943838 – Fax +353 1 2943845

JAPAN

Nilfisk-Advance Inc.
 3-4-9 Chigasaki Minami
 Tsuzuki-Ku Yokohama 224
 ☎ 045-942-7741 – Fax 045-942-6545

MALAYSIA

Nilfisk-Advance Sdn Bhd
 Lot 2, 1st. Floor
 Lorong 19/1A
 46300 Petaling Jaya
 Selangor Darul Ehsan
 ☎ 03-7568188 / 03-7568189 / 03-7568388 – Fax 03-7566828

NEDERLAND

Nilfisk-Advance B.V.
 Flevolaan 7, Postbus 341
 1380 AH Weesp
 ☎ 0294-462121 – Fax 0294-430053

NEW ZEALAND

Nilfisk-Advance Limited
 477 Great South Road, Penrose
 Auckland
 ☎ (09) 525 0092 – Fax (09) 525 6440

SCHWEIZ / SUISSE

Nilfisk-Advance AG
 Ringstrasse 19, 9533 Kirchberg/Wil
 ☎ 719 23 52 83 – Fax 719 23 84 44

SINGAPORE

Nilisk-Advance Pte. Ltd.
 22, Woodlands Industrial Park E1
 Singapore 757740
 ☎ (65) 759 9100 – Fax (65) 759 9133

TAIWAN

Nilfisk-Advance Ltd.
 1 F, No.23, Lane 132, Sec. 2
 Ta An Road, Taipei
 ☎ 700 22 68 – Fax 784 08 43

UNITED KINGDOM

Nilfisk-Advance Limited
 Newmarket Road
 Bury St. Edmunds
 Suffolk IP 33 3SR
 ☎ (01284) 763163 – Fax (01284) 750562

USA

Nilfisk-Advance Inc.
 14600 21st Avenue North
 Plymouth, MN 55447-3408
 ☎ +1 800 989 2235 – Fax 1 800 989 6566

Nilfisk-Advance of America, Inc.

300 Technology Drive
 Malvern, PA 19355
 ☎ (610) 647 647-6427

ÖSTERREICH

Nilfisk-Advance GmbH
 Vorarlberg Allee 46
 1230 Wien
 ☎ 1 616 58 30 – Fax 1 616 58 30 40

ESPAÑA

Nilfisk-Advance, S.A.
 Torre D'Ara
 Passeig del Rengle, 5 Pl.9-10
 E-08302 – Mataró (Barcelona)
 ☎ Tel. 93 741 24 00 – Fax: 93 757 80 20
 Central atención al cliente: 902 200 201
nilfisk@nilfisk-advance.es – www.nilfisk-advance.com
 Distribuidores y Servicio Técnico en toda España y Andorra

ITALIA

Nilfisk-Advance Italia Spa
 Località Novella Terza
 26862 Guardamiglio (LO)
 Italy
 ☎ +39 0377 414067-54 – Fax +39 0377 414097
www.nilfisk-advance.com

PORTUGAL

Nilfisk-Advance Lda.
 Rua Cândido de Figueiredo, 91-i, 1500-133 LISBOA
 ☎ 01/7784142 – Fax 01/7785613
 Porto 02/526766 – Fax 02/520739
 Açores 096/628092/3 – Fax 096/628129
 Madeira 091/228965 – Fax 091/228796

GREECE

Embiom S.A.
 Λεωφ. Βουλιαγμένης 60
 Αργυρούπολη
 164 52 Αθήνα
 ☎ 9950613 - Fax 9951680



Material composition of the Nilfisk SH 120

