

SHARP

AR-5731 / AR-5726

Digital Multifunction System



**A Space-saving Document Solution
for Busy Workgroups**



Max 31/26 PPM



Optional Job Separator



A3 printing and copying plus a compact, productive inner finisher option

The new Sharp AR-5731 and AR-5726 have more than enough power and performance to satisfy the demands of any small office or busy workgroup.

Capable of copying and printing at speeds of up to 31 and 26 pages a minute respectively, and supplied with advanced productivity features, including automatic double-sided printing and Sharp Printer Language with Compression (SPLC) as standard for faster data transfer, these MFPs are an ideal choice for every modern office.

Complex jobs can be handled with ease, thanks to a generous paper capacity, a handy 8.1-inch touch screen LCD panel, powerful productivity tools and the innovative space-saving inner finisher option for automatic sorting, stapling and offset stacking.

An optional 100-sheet Reversing Single Pass Feeder offers effortless two-sided copying, there's a Job Build function for scanning documents in convenient batches before combining them into a single job, and a whole range of powerful image editing functions for even more control and versatility.

Designed with the environment in mind

The compact and contemporary design makes these new MFPs a perfect choice for any modern office. And both machines have impeccable environmental credentials and comply with the latest Energy Star Version 1.1 criteria.





Space-saving
Inner Finisher

Up to
2,100-sheet
capacity



AR-5731 / AR-5726 - Key Features

Efficient copying

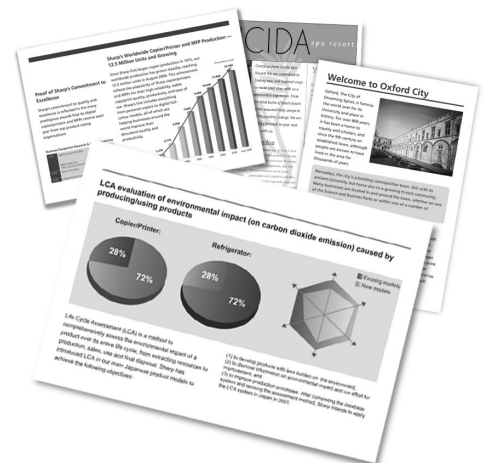
- Speedy output of max. 31/26 cpm and fast first copy time of 4.5/4.8 seconds
- Compact inner finisher option sorts and staples documents
- Optional 100-sheet Reversing Single Pass Feeder and built-in stackless duplex module for efficient two-sided copying
- Electronic Sorting automatically collates multiple sets of copies in page order without the aid of a sorter
- Versatile editing functions include card shot, dual page copy, multi shot, and edge/centre erase, and B&W reverse
- Job Build function for large-volume documents

High-Quality Printing

- Sharp Printer Language with Compression (SPLC) speeds up the data transfer time and printing process
- RIP Once/Print Many function for efficient printing of max. 31/26 ppm
- 600 dpi resolution; can be enhanced to a resolution equivalent to 1,200 dpi (with digital smoothing technology)
- Convenient print functions include duplex print, N-up, fit to page, and watermarks

User- and environmentally-friendly

- Large, 8.1-inch touch-screen LCD control panel
- Standard 1,100-sheet paper capacity, expandable to max. 2,100 sheets
- Job Separator (option) outputs copies and printouts onto separate trays
- Certified for latest version of Energy Star Version 1.1



for Busy Workgroups



Specifications

AR-5731 / AR-5726

Digital Multifunctional System

General		
Engine speed (max.)	A4 portrait	A3
AR-5731	31 cpm/ppm	17 cpm/ppm
AR-5726	26 cpm/ppm	15 cpm/ppm
Paper size	Max. A3, min. A5	
Paper weight	Drawer: 56g/m ² – 105g/m ² Bypass: 56g/m ² – 200 g/m ²	
Paper capacity	Standard: 1,100 sheets (2 x 500-sheet drawers and 100-sheet multi-bypass tray) Maximum: 2,100 sheets (4 x 500-sheet drawers and 100-sheet multi-bypass tray)	
Warm-up time¹⁾		
AR-5731	25 sec. or less	
AR-5726	23 sec. or less	
Memory	Standard: 32MB Maximum: 1,056MB	
Power requirements	Rated local AC voltage ±10%, 50/60 Hz	
Power consumption (max.)	1.45 kW (220 to 240V)	
Dimensions²⁾ (W x D x H)	623 x 628 x 653 mm	
Weight²⁾ (approx.)	46 kg	

Copier	
Original paper size	Max. A3
First copy time³⁾	
AR-5731	4.5 sec.
AR-5726	4.8 sec.
Continuous copy	Max. 999 copies
Resolution	Scan: 400 x 600 dpi Print: 600 x 600 dpi
Gradation	Scan: 256 levels Print: 2 levels
Zoom range	25 to 400% (50 to 200% using RSPF) in 1% increments
Preset copy ratios	10 ratios (5R/5E)

Printer (standard SPLC driver)	
Resolution	600 x 600 dpi
Enhanced resolution	600 x 1,200 dpi equivalent with smoothing
Memory	Shared
Interface	USB 2.0
Supported OS	Windows® 2000/XP, Windows Vista® Windows 7 ⁴⁾
PDL Emulation	SPLC (Sharp Printer Language with Compression)

¹⁾ At rated voltage. May vary depending on machine conditions and operating environment.

²⁾ Dimensions and weight do not include document cover or RSPF.

³⁾ Best achieved time based on A4 copy, long-edge feeding from 1st paper drawer, using document glass, when machine is ready. May vary depending on machine conditions and operating environment.

⁴⁾ Available at a later date.

AR-5731/AR-5726 Options

1. MX-FN13 Inner Finisher

A3 to A5
Paper capacity:
500 sheets (A4, 80 g/m²),
250 sheets (A3, 80 g/m²)
Stapling capacity:
50 Sheets (A4), 30 sheets (A3)
Staple position: 1 location

2. MX-TR11 Job Separator Tray

Separates output according to the type of job (print/copy)
A3 to A5
Paper capacity:
Upper tray: 100 sheets
Lower tray (MFP): 500 sheet

3. MX-VR10 Document Cover

4. MX-RP10 Reversing Single Pass Feeder

A3 to A5, 100 sheets (90 g/m²),
35 to 128 g/m² (simplex),
52 to 105 g/m² (duplex)

5. MX-TE10 Exit Tray

A3 to B5R, 100 sheets,
56 to 105 g/m²
Optional MX-FN13 required

6. MX-DE10 500-Sheet Paper Drawer

A3 to B5R, 500 sheets (80 g/m²),
56 to 105 g/m²

7. MX-DE11 2 x 500-Sheet Paper Drawer

A3 to B5R, 1,000 sheets
(80 g/m²), 56 to 105 g/m²

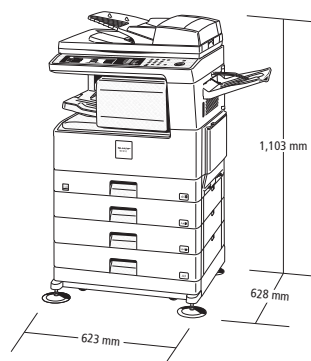
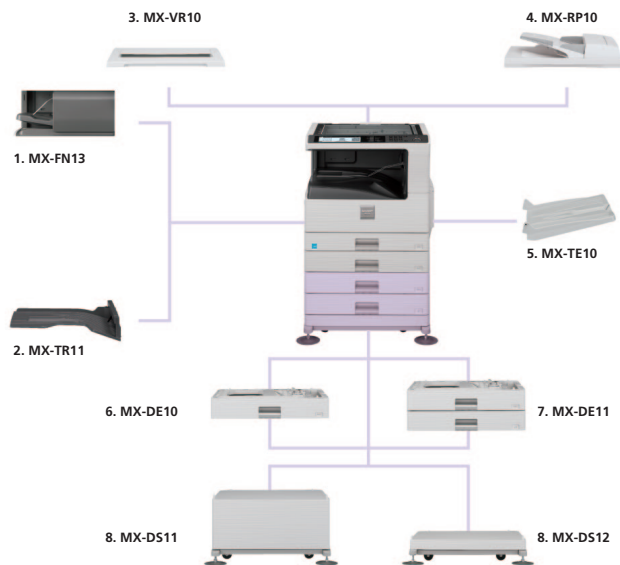
8. Cabinet

There are two cabinets available, depending upon the paper drawer configuration used.

MX-DS11 High cabinet
MX-DS12 Low cabinet

AR-SM5 256MB Memory

AR-SM6 512MB Memory



Shown with options.



SHARP

Design and specifications are subject to change without prior notice. All information was correct at time of print. The ENERGY STAR logo is a certification mark and may only be used to certify specific products that have been determined to meet the ENERGY STAR programme requirements. ENERGY STAR is a US registered mark. Windows, Windows XP, Windows Server and Windows Vista are registered trademarks of Microsoft Corporation. ©Sharp Corporation 2009 Ref: BR_AR-5731/5726. All trademarks acknowledged. E&OE