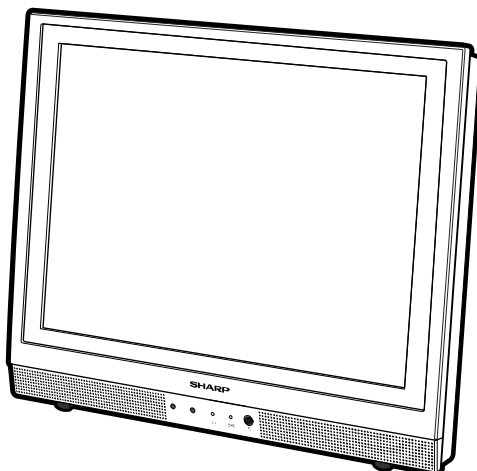


# SHARP

# SERVICE MANUAL

S9311LC-13S1E



## LCD COLOUR TELEVISION

# LC-13S1E LC-15S1E

MODELS

In the interests of user-safety (Required by safety regulations in some countries) the set should be restored to its original condition and only parts identical to those specified should be used.

### CONTENTS

	Page
● IMPORTANT SERVICE SAFETY PRECAUTION .....	2
● SPECIFICATIONS .....	4
● OPERATION MANUAL .....	5
● DIMENSIONS .....	7
● REMOVING OF MAJOR PARTS .....	9
● ADJUSTING PROCEDURE OF EACH SECTION .....	13
● TROUBLE SHOOTING TABLE .....	17
● CHASSIS LAYOUT .....	23
● BLOCK DIAGRAM .....	24
● OVERALL WIRING DIAGRAM .....	26
● DESCRIPTION OF SCHEMATIC DIAGRAM .....	28
● SCHEMATIC DIAGRAM .....	29
● PRINTED WIRING BOARD ASSEMBLIES .....	56
● REPLACEMENT PARTS LIST .....	65
● PACKING OF THE SET .....	79

## IMPORTANT SERVICE SAFETY PRECAUTION

- Service work should be performed only by qualified service technicians who are thoroughly familiar with all safety checks and the servicing guidelines which follow:

### WARNING

1. For continued safety, no modification of any circuit should be attempted.
2. Disconnect AC power before servicing.

**CAUTION:** FOR CONTINUED PROTECTION AGAINST A RISK OF FIRE REPLACE ONLY WITH SAME TYPE F3301(2A, 250V), F3302(1.25A, 250V), F6501 (1.25A, 250V) AND F6502 (1.25A, 250V) FUSE.

### BEFORE RETURNING THE RECEIVER (Fire & Shock Hazard)

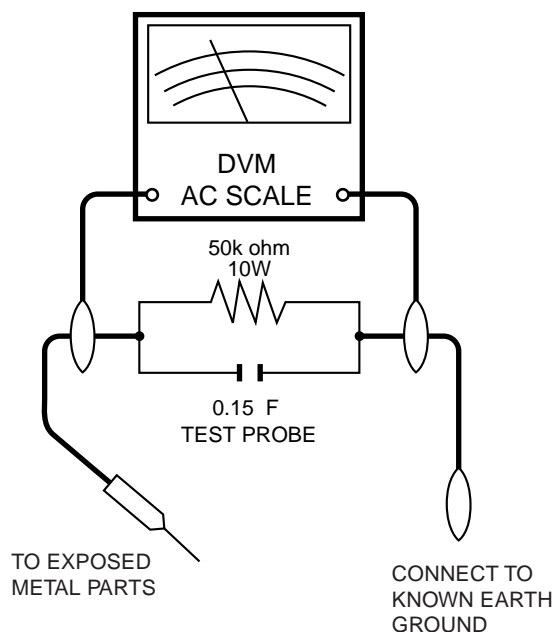
Before returning the receiver to the user, perform the following safety checks:

1. Inspect all lead dress to make certain that leads are not pinched, and check that hardware is not lodged between the chassis and other metal parts in the receiver.
2. Inspect all protective devices such as non-metallic control knobs, insulation materials, cabinet backs, adjustment and compartment covers or shields, isolation resistor-capacitor networks, mechanical insulators, etc.
3. To be sure that no shock hazard exists, check for leakage current in the following manner.
  - Plug the AC cord directly into a 110~240 volt AC outlet, and connect the DC power cable into the receiver's DC jack. (Do not use an isolation transformer for this test).
  - Using two clip leads, connect a 50k ohm, 10 watt resistor paralleled by a 0.15 $\mu$ F capacitor in series with all exposed metal cabinet parts and a known earth ground, such as electrical conduit or electrical ground connected to an earth ground.

- Use an AC voltmeter having with 5000 ohm per volt, or higher, sensitivity or measure the AC voltage drop across the resistor.
- Connect the resistor connection to all exposed metal parts having a return to the chassis (antenna, metal cabinet, screw heads, knobs and control shafts, escutcheon, etc.) and measure the AC voltage drop across the resistor.

All checks must be repeated with the AC cord plug connection reversed. (If necessary, a nonpolarized adaptor plug must be used only for the purpose of completing these checks.)

Any reading of 0.75V peak (this corresponds to 0.5 mA. peak AC.) or more is excessive and indicates a potential shock hazard which must be corrected before returning the monitor to the owner.



### SAFETY NOTICE

Many electrical and mechanical parts in LCD television have special safety-related characteristics. These characteristics are often not evident from visual inspection, nor can protection afforded by them be necessarily increased by using replacement components rated for higher voltage, wattage, etc. Replacement parts which have these special safety characteristics are identified in this manual; electrical components having such features are identified by “ $\triangle$ ”

and shaded areas in the **Replacement Parts Lists and Schematic Diagrams**.

For continued protection, replacement parts must be identical to those used in the original circuit. The use of a substitute replacement parts which do not have the same safety characteristics as the factory recommended replacement parts shown in this service manual, may create shock, fire or other hazards.

# Precautions for using lead-free solder

## 1 Employing lead-free solder

"MAIN PWB" of this model employs lead-free solder. The LF symbol indicates lead-free solder, and is attached on the PWBs and service manuals. The alphabetical character following LF shows the type of lead-free solder.

Example:



Sn-Ag-Cu

Indicates lead-free solder of tin, silver and copper.

## 2 Using lead-free wire solder

When fixing the PWB soldered with the lead-free solder, apply lead-free wire solder. Repairing with conventional lead wire solder may cause damage or accident due to cracks.

As the melting point of lead-free solder (Sn-Ag-Cu) is higher than the lead wire solder by 40°C, we recommend you to use a dedicated soldering bit, if you are not familiar with how to obtain lead-free wire solder or soldering bit, contact our service station or service branch in your area.

## 3 Soldering

As the melting point of lead-free solder (Sn-Ag-Cu) is about 220°C which is higher than the conventional lead solder by 40°C, and as it has poor solder wettability, you may be apt to keep the soldering bit in contact with the PWB for extended period of time. However, Since the land may be peeled off or the maximum heat-resistance temperature of parts may be exceeded, remove the bit from the PWB as soon as you confirm the steady soldering condition.

Lead-free solder contains more tin, and the end of the soldering bit may be easily corroded. Make sure to turn on and off the power of the bit as required.

If a different type of solder stays on the tip of the soldering bit, it is alloyed with lead-free solder. Clean the bit after every use of it.

When the tip of the soldering bit is blackened during use, file it with steel wool or fine sandpaper.

Be careful when replacing parts with polarity indication on the PWB silk.

Lead-free wire solder for servicing

Part No,	★	Description	Code
ZHNDAi123250E	J	φ0.3mm 250g(1roll)	BL
ZHNDAi126500E	J	φ0.6mm 500g(1roll)	BK
ZHNDAi12801KE	J	φ1.0mm 1kg(1roll)	BM

## SPECIFICATIONS

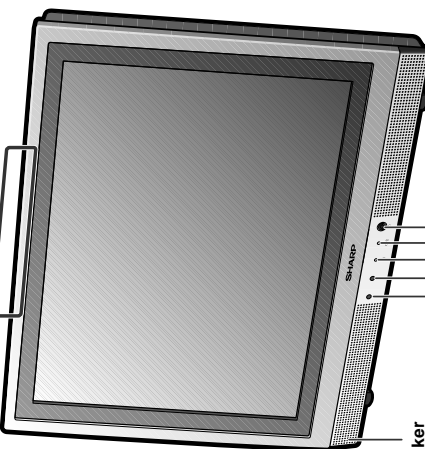
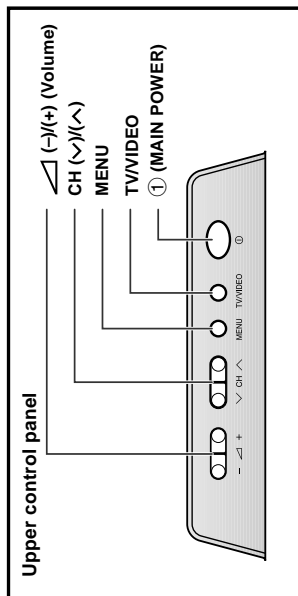
Item	13" LCD COLOUR TV, Model: LC-13S1E	15" LCD COLOUR TV, Model: LC-15S1E
LCD panel	13" Advanced Super View & BLACK TFT LCD	15" Advanced Super View & BLACK TFT LCD
Number of dots	921,600 dots	
Video colour system	PAL/SECAM/NTSC	
TV	TV-Standard (CCIR)	B/G, I, D/K, L
	TV-Tuning System	Auto preset 200 ch.
	STEREO/BILINGUAL	NICAM, A2 stereo
	AUTO PRESET	YES
	CATV	-Hyper Band
Brightness	430 cd/m <sup>2</sup>	
Lamp life	60,000 hours	
Viewing angles	H: 170° V: 170°	
Audio amplifier	2.1 W × 2	
Speakers	3 cm × 7.5 cm 2 pcs.	
Terminals	AV-IN 1	21 pin Euro-SCART
	AV-IN 2	S-VIDEO, VIDEO, AUDIO
	OUT	AUDIO
	Antenna	DIN
	Headphones	3.5 mm ø jack (Front)
OSD language	English/German/French/Spanish/Italian/Swedish/Dutch/Russian	
Power requirement	DC 12 V, AC 110 V – 240 V, 50/60 Hz	
Weight	3.6 kg w/o accessories	4.2 kg w/o accessories
Accessories	Operation Manual, Remote Control, Batteries (× 2), AC adapter, AC cord, Cable clamp	

■ As a part of policy of continuous improvement, SHARP reserves the right to make design and specification changes for product improvement without prior notice. The performance specification figures indicated are nominal values of production units. There may be some

# OPERATION MANUAL

## Part Names of Main Unit

### Controls



**Headphone jack**  
Plug the headphone mini-plug into the Headphone jack located on the front of the TV set.

**OPC sensor indicator (Optical Picture Control)**  
The Optical Picture Control indicator lights up green when the Brightness is set to Auto.

**POWER/STANDBY/Remote sensor indicator**

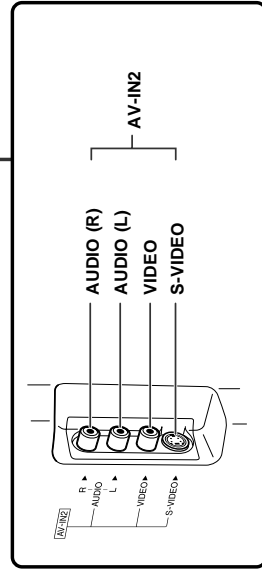
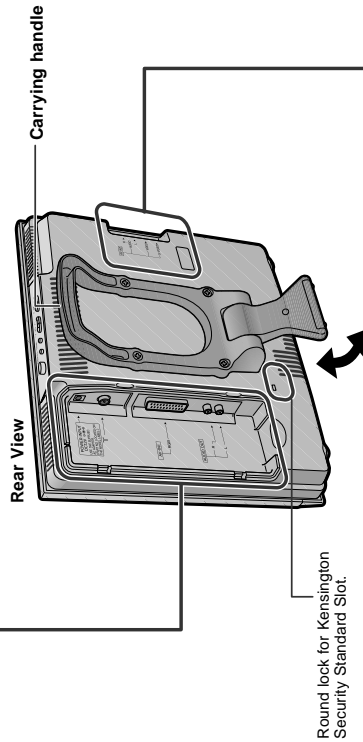
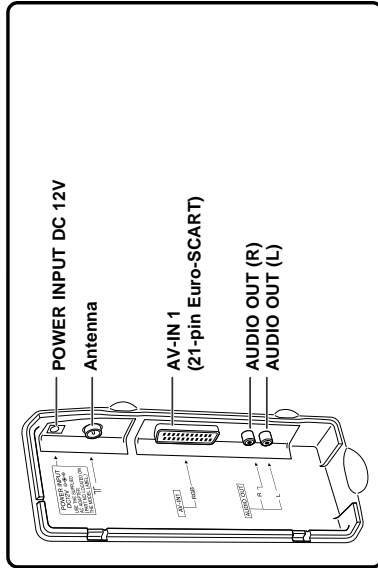
A green indicator lights when the power is on and a red indicator lights when in the Standby mode (the indicator will not light when the main power is off). A red indicator blinks when the TV set receives the remote control signal.

\* The examples used throughout this manual are based on the LC-16S1E model.

### NOTE

• TV/VIDEO, CH (V) / (V) and MENU on the main unit have the same functions as the same buttons on the remote control. Fundamentally, this operation manual provides a description based on operation using the remote control.

### Terminals

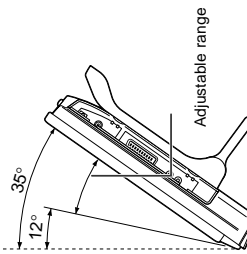


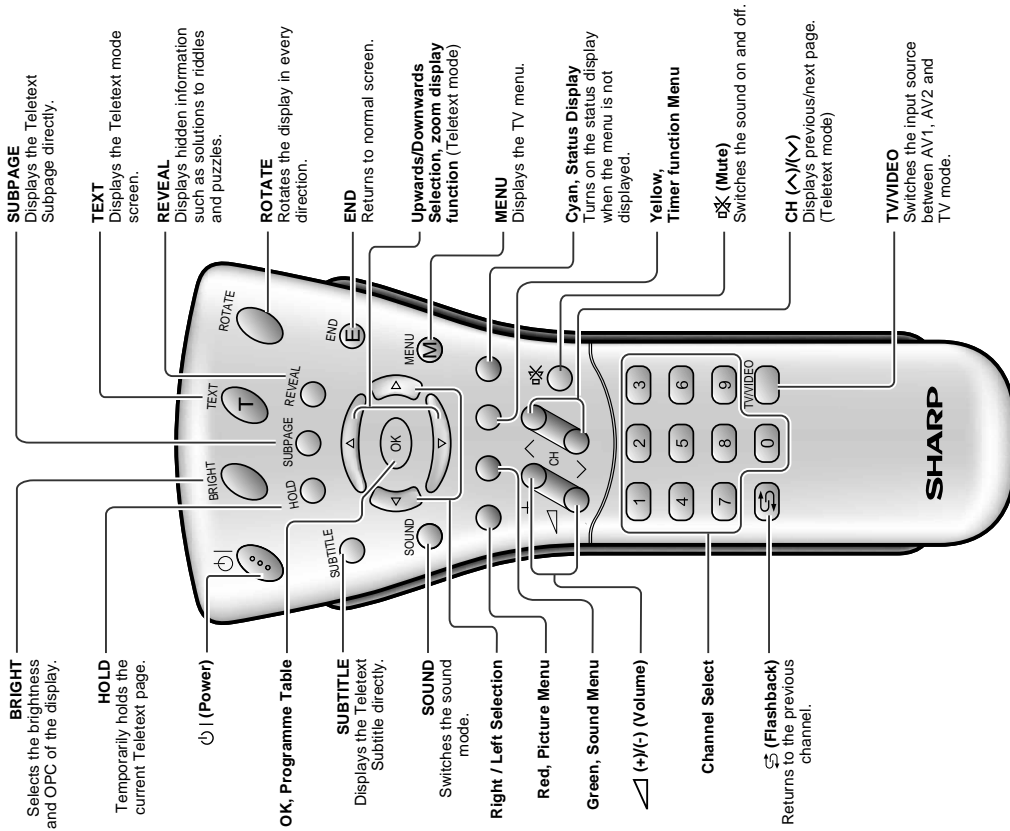
### Stand

The screen can be adjusted backwards to an angle between 12 and 35 degrees. When changing the angle, make sure to hold the stand and adjust to the best viewable angle.

\* Be careful to prevent the product from falling over when adjusting the angle. Also, place the product on a stable base.

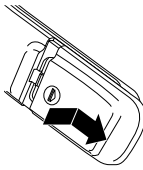
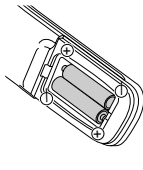
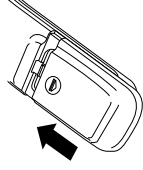
The screen can be adjusted backwards to an angle between 12 degrees and 35 degrees. The screen cannot be set up straight. When changing the angle, make sure to hold the stand and adjust the screen to the best viewable angle.





Installing Batteries in the Remote Control

Before using the LCD TV set for the first time, install the two R-03 (AAA size, UM/SUM-4) batteries supplied in the remote control. When the batteries become depleted and the remote control fails to operate, replace the batteries with new R-03 (AAA size, UM/SUM-4) batteries.

- 1 Open the battery cover. 
- 2 Insert two R-03 (AAA size, UM/SUM-4) batteries. 
- 3 Replace the battery cover. 

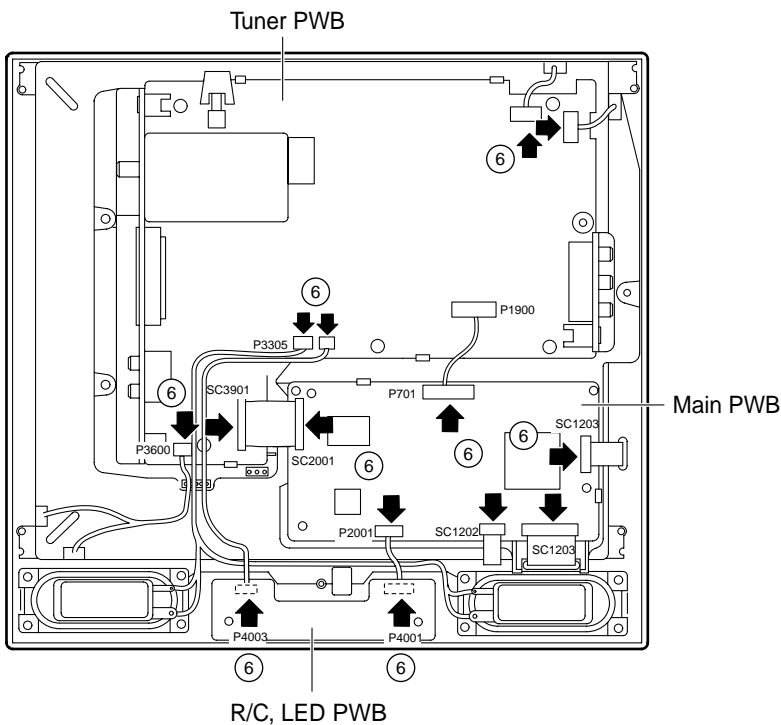
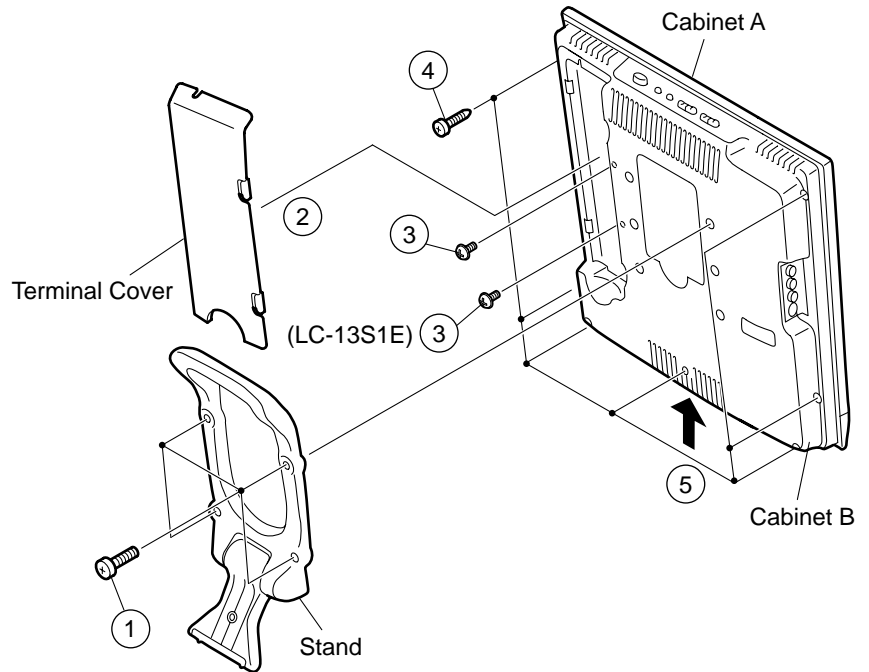
- Slide the cover while pressing the (▶) part.
- Position the positive and negative ends of the batteries as indicated in the compartment.
- Engaging the lower claw with the remote control, close the cover.

**Caution!**

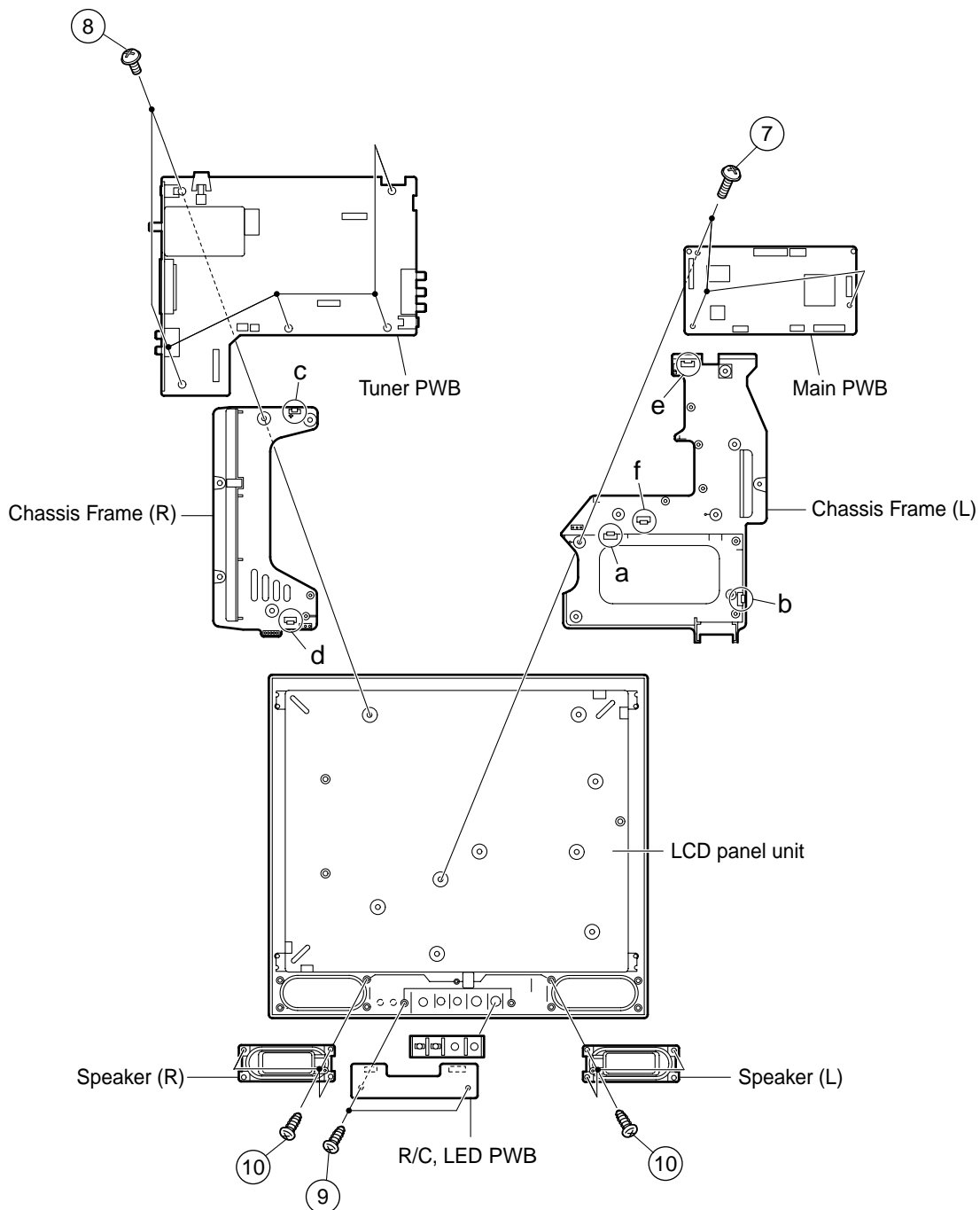
- Precautions regarding batteries**
- Improper use of batteries can result in a leakage of chemicals and/or explosion. Be sure to follow the instructions below.
    - ✘ Place batteries with their terminals corresponding to the (+) and (-) indications.
    - ✘ Different types of batteries have different characteristics. Do not mix batteries of different types.
    - ✘ Do not mix old and new batteries. Mixing old and new batteries can shorten the life of new batteries and/or cause old batteries to leak chemicals.
    - ✘ Remove batteries as soon as they are depleted. Chemicals that leak from batteries can cause a rash. If chemical leakage is found, wipe it off with a cloth.
    - ✘ The batteries supplied with the product may have a shorter life expectancy due to storage conditions.
    - ✘ If the remote control is not to be used for an extended period of time, remove the batteries from the remote control.

## REMOVING OF MAJOR PARTS

1. Remove the stand fixing screws (4 pcs.).
2. Remove the terminal cover.
3. Remove the terminal section fixing screws (2 pcs.) (LC-13S1E).
3. Remove the terminal section fixing screw (1 pc.) (LC-15S1E).
4. Remove the cabinet B fixing screws (7 pcs.).
5. Remove the cabinet B after opening from the direction of an arrow.
6. Detach the connector from each PWB.



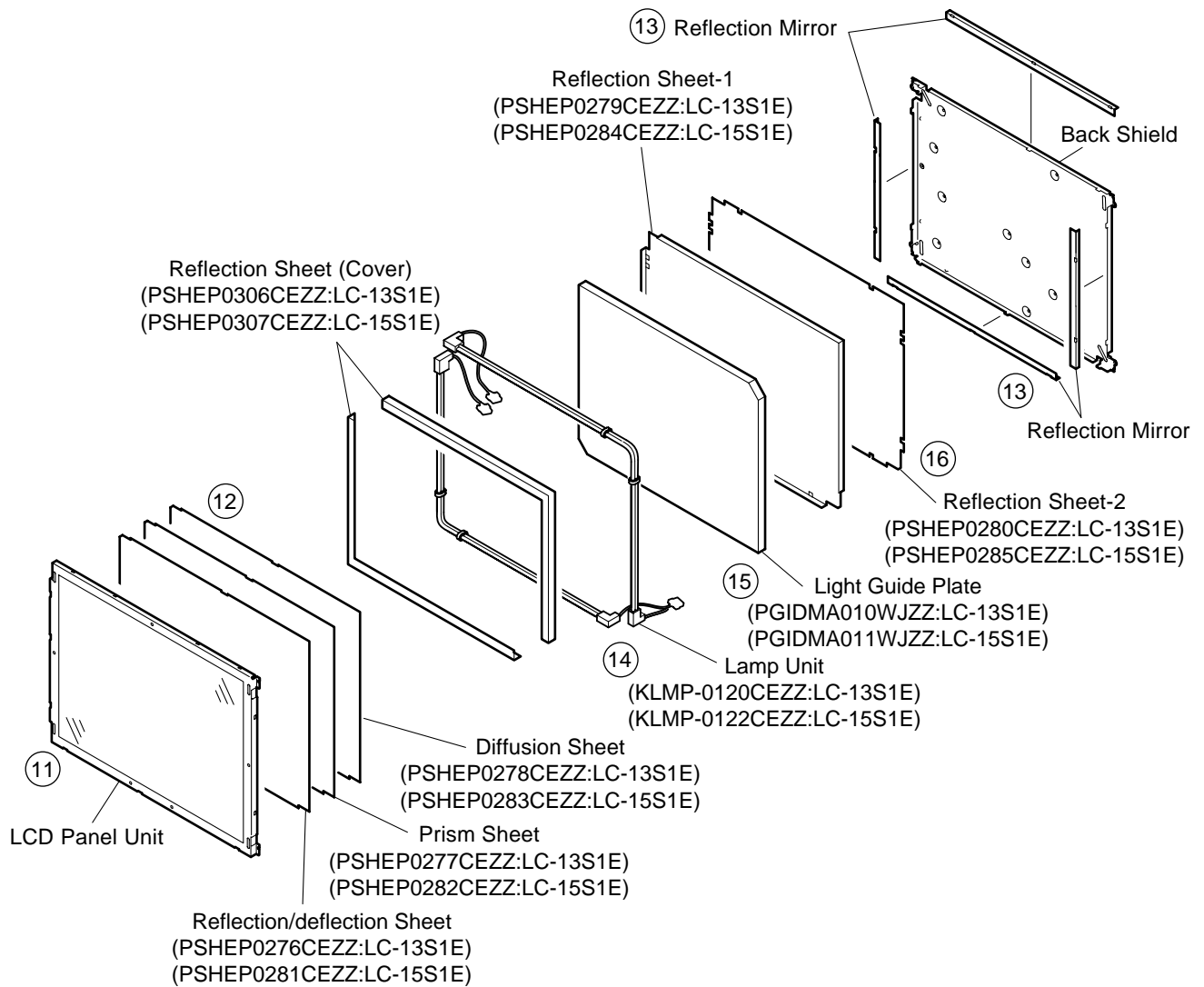
- Remove the 3 lock screws from the main PWB and undo the hooks a and b. Lifting the other PWBs close to the hooks, draw out the main PWB.
- Remove the 5 lock screws from the tuner PWB and undo the hooks c and d. Detach the chassis frame (right), together with its terminals, from the tuner PWB. Undo the hooks e and f in the same way. Detach the chassis frame (left), together with its terminals, from the tuner PWB.
- Remove the 2 lock screws from the R/C, LED PWB and take out the R/C, LED PWB.
- Remove the 3 lock screws each from the right and left speakers and take out both the speakers.





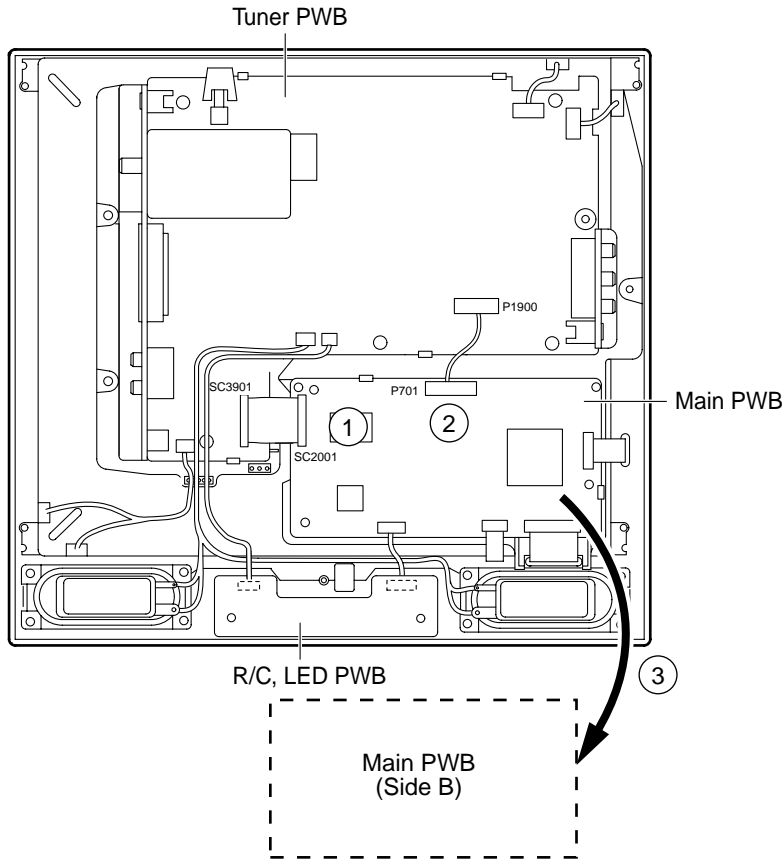
- Precautions in handling the LCD panels
  1. Work in a clean room (with humidities below 50%).
  2. Be sure to wear an anti-static armband.
  3. Handle the panels on an electro-conductive mat.
  4. Be careful not to fall, shake and shock the panels.

11. Remove the LCD panel unit.
12. Detach the prism sheet, diffusion sheet and reflection/deflection sheet.
13. Detach the four reflection mirrors.
14. Remove the lamp unit.
15. Detach the Light guide plate.
16. Detach the two lamp reflection sheets.



● **Precautions at the time of the side B(back) service of main unit.**

1. Remove only SC2001 of the FFC for connection between Main unit(SC2001) and Tuner unit(SC3901), and connect the extended cable (QCNW-A369WJZZ) for service.
2. Remove only P701 of the FFC for connection between Main unit(P701) and Tuner unit(P1900), and connect the extended cable (QCNW-B594WJZZ) for service.
3. Remove the main unit fixing screws(3 pcs.), a substrate is reversed.



Step	Part No.	Description
1	QCNW-A369WJZZ	Extension Cable 50-pin Main (SC2001)-Tuner (SC3901)
2	QCNW-B594WJZZ	Extension Cable 13-pin Main (P701)-Tuner (P1900)

# ADJUSTING PROCEDURE OF EACH SECTION

The best adjustment is made before shipping. If any position deviation is found or after part replace is performed, adjust as follows.

## Preparation for adjustments

Use the dedicated AC adaptor or stable DC power supply.

LC-13/15S1E AC adaptor: UADP-A043WJPZ

DC power supply: 12V 5.0A

## 1. Adjusting procedure

- Checker adjustment  
Power ON (Adjustment processing mode) → +B adjustment → Counter bias adjustment → TAMP (Contrast) adjustment → White balance adjustment

## 2. Entering the adjustment processing mode

There are the following two methods.

- Setting the pin (81)(KEY4) or pin (82)(KEY5) of IC2001 (microprocessor) to GND, turn on the power.
- A "POWER" key is made on with pushing an "TV/VIDEO" and "MENU" keys at the same time. (K of the inspection process mode is displayed by the upper left of the image plane.) → Next, "CH (∨)" and "VOL (-)" keys are pushed at the same time. (It becomes the image plane of the adjustment process mode.).....When it is canceled, it is made to turn it off. (Even off in the "MAIN POWER" key, off with R/C are good.)

## 3. Key operation in the adjustment process mode

- The receiving channel UP/DOWN is performed with the "CH (∧)/(∨)" keys.  
One push ... The UP/DOWN tuning is performed per channel.  
Continuous push ... The UP/DOWN search is performed until a next receivable station is found.
- Various adjustments  
The adjustment is performed for each item by the "MENU", "Menu cursor", "CH (∧)/(∨)" or "VOL (+)/(-)" keys (LCD TV set and remote control).
- Adjustment item is chosen with the Menu cursor upward/downward keys.
- The adjustment item makes a toggle operation with the "MENU" key input. (Next item)  
If the "MENU" key is input while the bottom item is selected, it moves to the top item on the next page.
- Press the auto preset button on the remote controller in the adjustment process mode, and the top item of the next page will show up regardless of which item appears now.  
Page 1 → Page 2 → ... → Page 66 → Page 1
- Press the manual memory button on the remote controller in the adjustment process mode, and the top item of the same page will show up.
- UP/DOWN of each adjustment vale selected is performed with the VOL (+)/(-) keys input.

## 4. Initialization

When the microprocessor (IC2001) or the EEPROM (IC2007, IC2009) has been replaced or when the EEPROM has been initialized, readjust the each adjustments.

4-1. Connect the pins (81) and (82) of IC2001 (microprocessor) to GND, and turn on the power.

4-2. Check that the model name is (A661).

4-3. Select the inch size (13) : (LC-13S1E) and (15) : (LC-15S1E).

4-4. LED changes green from red after setting finish and about 15 seconds, initialization is completed, and it becomes adjustment mode.

4-5. Writing the model-by-model data

For the Ver.1.00A microprocessor, get it initialized first and then make the settings, listed below, on it. (The microprocessor version is indicated at the bottom of Adjustment Process Page 1.)

Ver.1.00A data reprogramming (INCH SIZE [13]) (LC-13S1E / E(K) / E(R))		
Adjustment process page	Item	OSD settings
12	PAL TV PKCFSoft7C	6 → 4
47	PAL TV LDLY	0 → +1
47	PAL AV LDLY	0 → +1
–	DPS 2DH	–

Ver.1.00A data reprogramming (INCH SIZE [13]) (Only for LC-13S1E(K))		
Adjustment process page	Item	OSD settings
12	PAL TV PKCFSoft7C	4 → 6
11	PAL TV COLOR	41 → 37
11	PAL AV COLOR	41 → 37
11	PAL TV TINT	–2 → +1
11	PAL AV TINT	–2 → +1
11	PAL BRIGHTNESS	–15 → –3

Ver.1.00A data reprogramming (INCH SIZE [15]) (LC-13S1E / E(K) / E(R))		
Adjustment process page	Item	OSD settings
11	PAL BRIGHTNESS	0 → –8
11	PAL-M BRIGHTNESS	0 → –8
11	PAL-N BRIGHTNESS	0 → –8
11	PAL60 BRIGHTNESS	0 → –8
12	PAL TV PKCFSoft7C	6 → 4
47	PAL TV LDLY	0 → +1
47	PAL AV LDLY	0 → +1

Ver.1.00A data reprogramming (INCH SIZE [15]) (Only for LC-15S1E(K))		
Adjustment process page	Item	OSD settings
11	PAL TV COLOR	38 → 37
11	PAL AV COLOR	38 → 37
11	PAL TV TINT	–2 → +1
11	PAL AV TINT	–2 → +1
12	PAL TV PKCFSoft7C	4 → 6

## 5. Adjustment

### 5-1. +B adjustment...Page 1 +B-ADJ

Adjust the voltage of the pin (4) of P1900 to 5.00 ±0.02V with R3714.

Note: Since 5.0V is a reference voltage of all power voltage, adjust it precisely.

### 5-2. Counter-bias adjustment

Vary the "COM BIAS" setting on Page 2 of the adjustment process mode so that the contrast be sharpest (black looks most sinking).

### 5-3. TAMP adjustment

- 1) Receive the upper left of 75% white half colour bar signal.
- 2) See if the "Y" reading on page 2 of the adjustment process mode is somewhere following. If not, make the "PAL TAMP" adjustment to get the "Y" reading in the range of AE thru BD.
- 3) If the adjustment of "PAL TAMP" is executed, write its adjustment value to the "SECAM TAMP" manually.

(Screen of the page 2 of the adjustment processing menu OSD)

	0	1	2	3	4	5	6	7	8	9	10	11	12	13	14	15	16	17	18	19	20	21	22	23	24	25	26
0		2																									
1		▶	C	O	M		B	I	A	S															9	0	
2			P	A	L		T	A	M	P															2	7	
3			S	E	C	A	M		T	A	M	P													2	7	
4			R	C	U	T	O	F	F																	0	
5			G	C	U	T	O	F	F																	0	
6			B	C	U	T	O	F	F																	0	
7			R	G	A	I	N																			0	
8			G	G	A	I	N																			0	
9			B	G	A	I	N																			0	
10				Y																						B	6
11			T	A	M	P		H																		B	D
12			T	A	M	P		L																		A	E
13																											

Y Data  
(White 75%)

### 5-4. White balance adjustment

Adjust "RCUTOFF", "BCUTOFF", "RGAIN" and "BGAIN" on the page 2 of the adjustment processing so as to obtain the colour of the same level as the standard set.

## 6. Factory Setting

- 6-1. Perform a factory setting after completing all adjustments.
- 6-2. A "POWER" keys is made on with pushing an "TV/VIDEO" and "MENU" keys at the same time.
- 6-3. "K" of the inspection process mode is displayed on the screen upper left.
- 6-4. CH (^) and VOL (+) keys are pushed about 2 seconds at the same time.
- 6-5. Release keys, if "E" is displayed on the screen upper left and "COMPLETE" is displayed on the bottom of it.
- 6-6. After a while, a power will be in a standby mode and a setup will be finished.

Note: "First installation" serves on "Deutsch".

## 7. Lamp error detection

### 7-1. Functional description

This LCD colour television has a function (lamp error detection) to be turned OFF automatically for safety when the lamp or lamp circuit is abnormal.

If the lamp or lamp circuit is abnormal, or some other errors happen, and the lamp error detection is executed, the followings occur.

- ① The main unit of television is turned OFF 5 seconds after it is turned ON. (The power LED on the front side of TV turns from green to red.)
- ② If the situation ① happens 5 times sequentially, television can not be turned ON. (The power LED remains red.)

### 7-2. Countermeasures

#### 7-2-1. Check when turning OFF the lamp error detection

When television is turned OFF by the lamp error detection mentioned above, it enters the adjustment process with the power LED red. Entering the adjustment process turns OFF the error detection and turns ON TV.

This enables the operation check to detect errors in the lamp or lamp circuit.

Check whether "ERROR NO RESET" on line 3, page 1 of the adjustment process is 1 or more. If it is 1 or more, it indicates the lamp error detection was executed.

#### 7-2-2. Resetting of the lamp error count

After confirming that the lamp or lamp circuit is normal, reset the lamp error count. Select "ERROR NO RESET" on line 3, page 1 of the adjustment process and set the number to 0 using the volume button.

Page 1 of the adjustment process

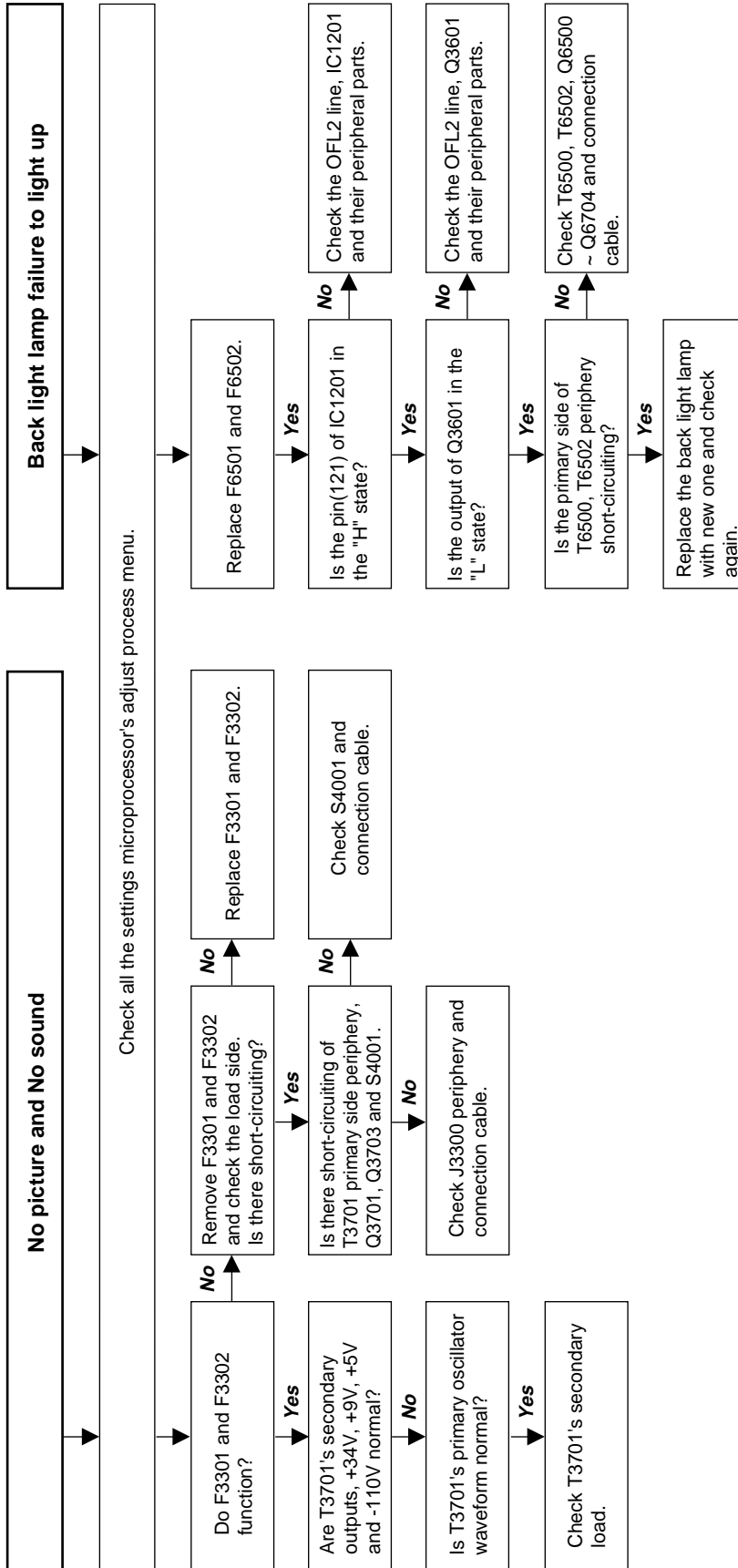
1			
MODEL		A661	
INCH	SIZE	*	
ERROR	NO RESET	5	←
PUBLIC	MODE	OFF	
EXT	CONTROL	OFF	
EXT	MODE	UART	
UPDATE	MODE	NORMAL	
TEXT	RESET	OFF	
VER ROM 1 . 0 0 A			

Reset 0

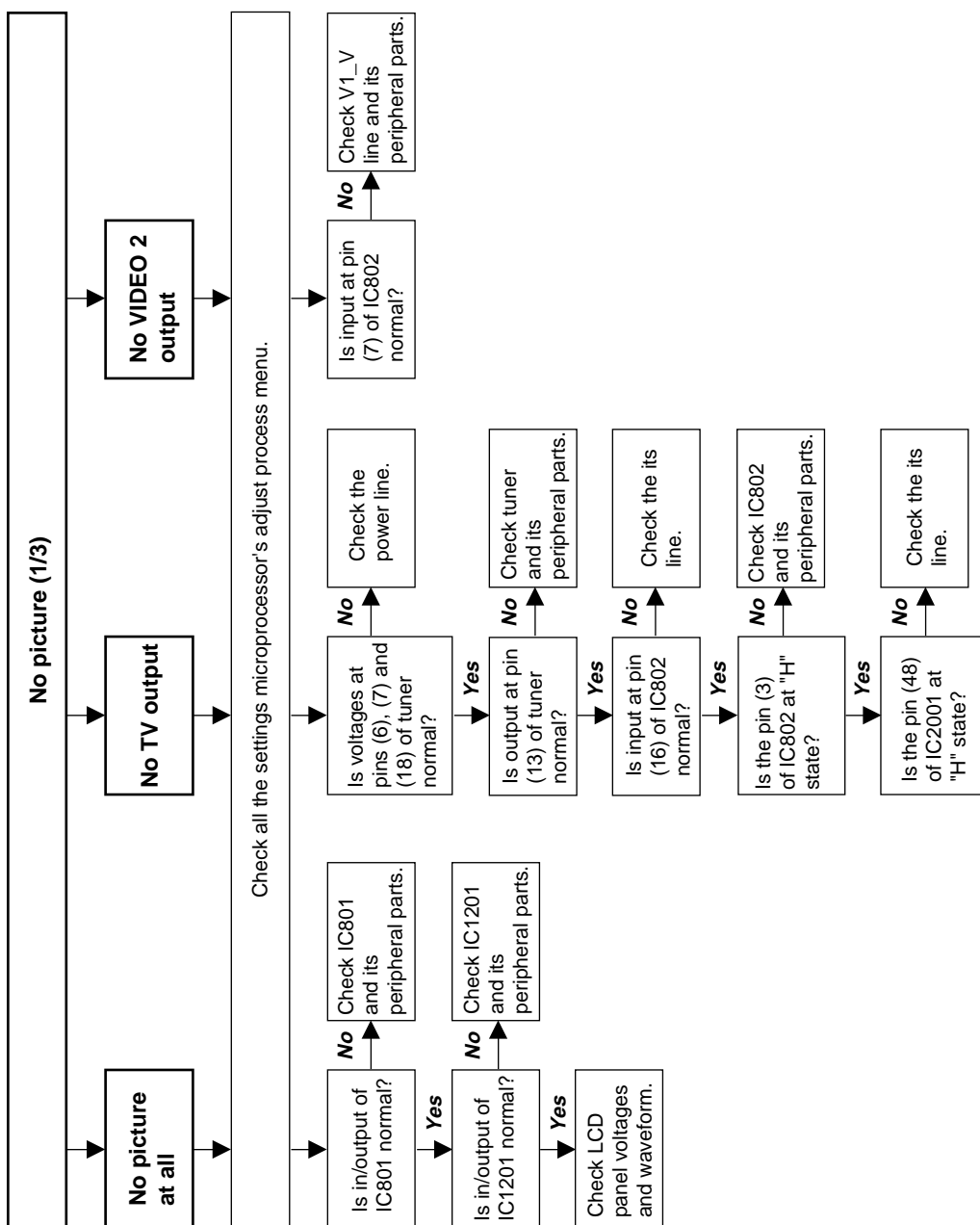
Note\*:13=LC-13S1E, 15=LC-15S1E

Afterwards, perform the operation check to confirm that the lamp error detection does not function.

# TROUBLE SHOOTING TABLE

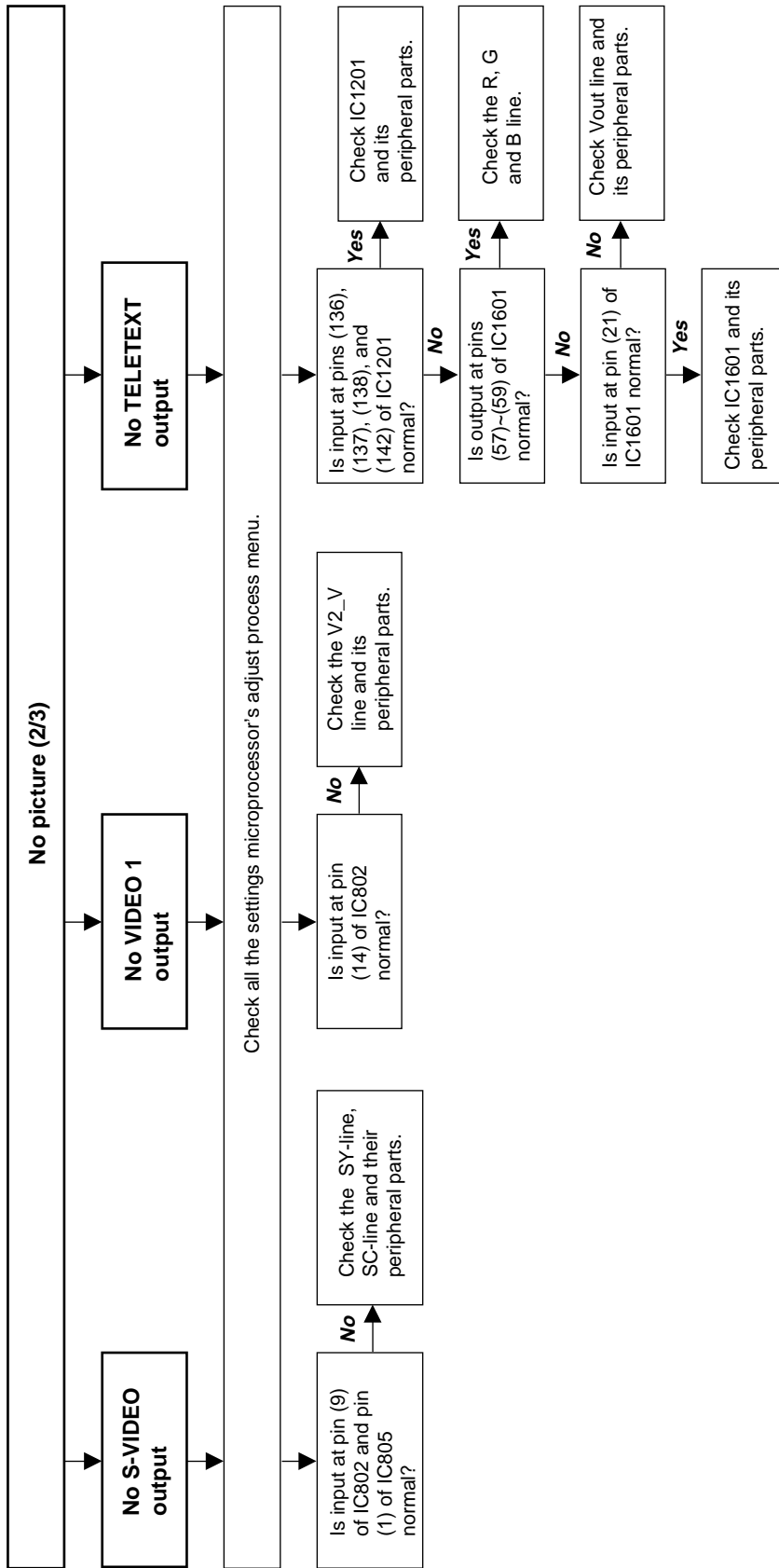


# TROUBLE SHOOTING TABLE (Continued)

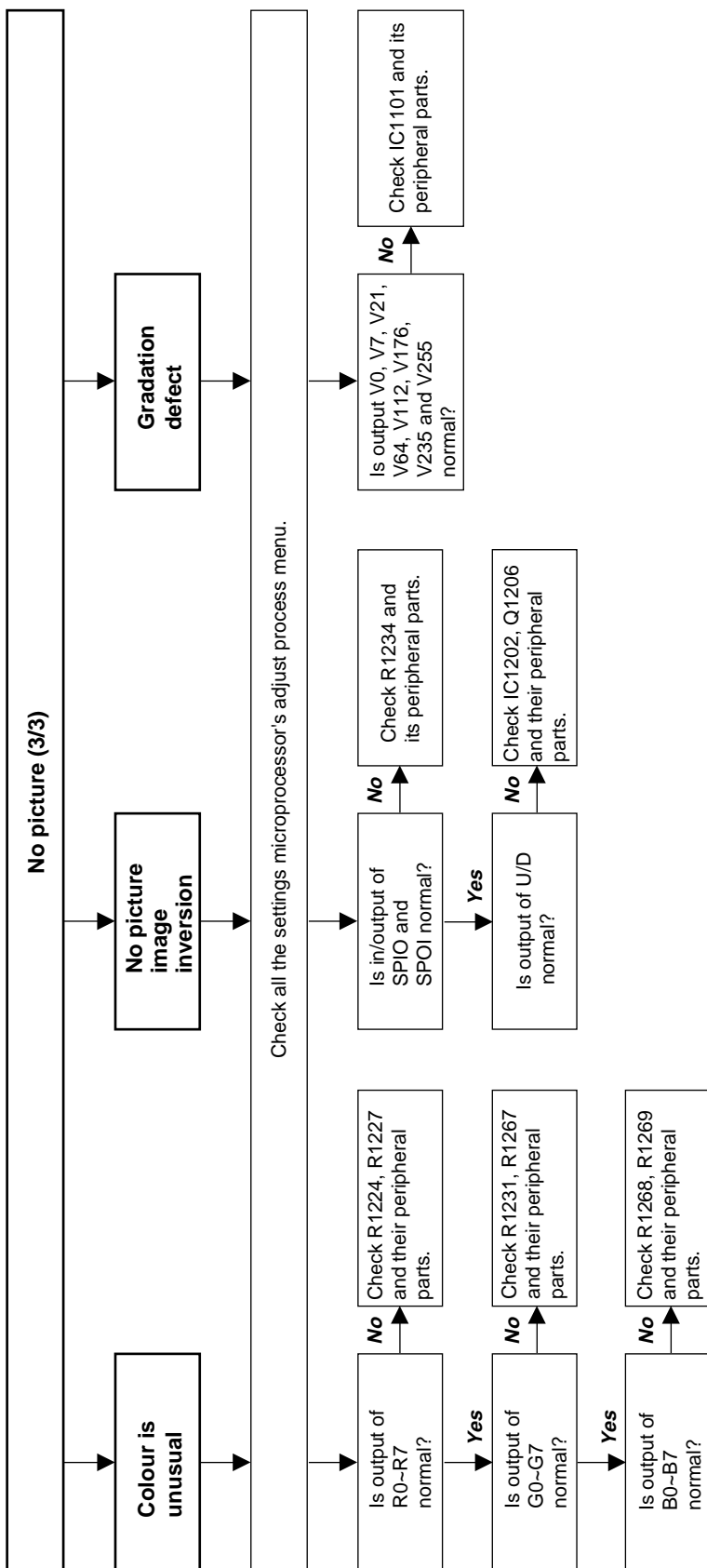




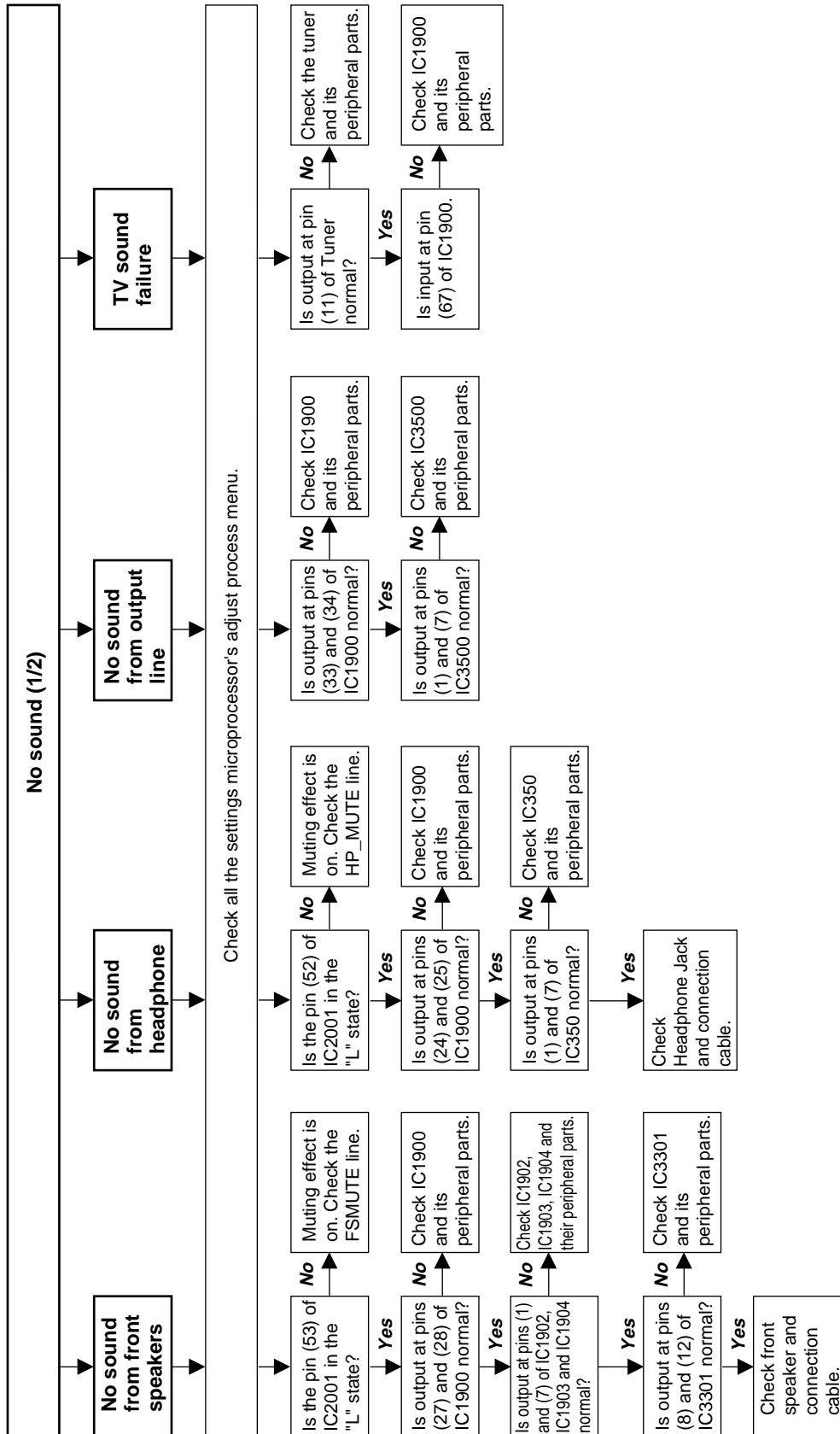
# TROUBLE SHOOTING TABLE (Continued)



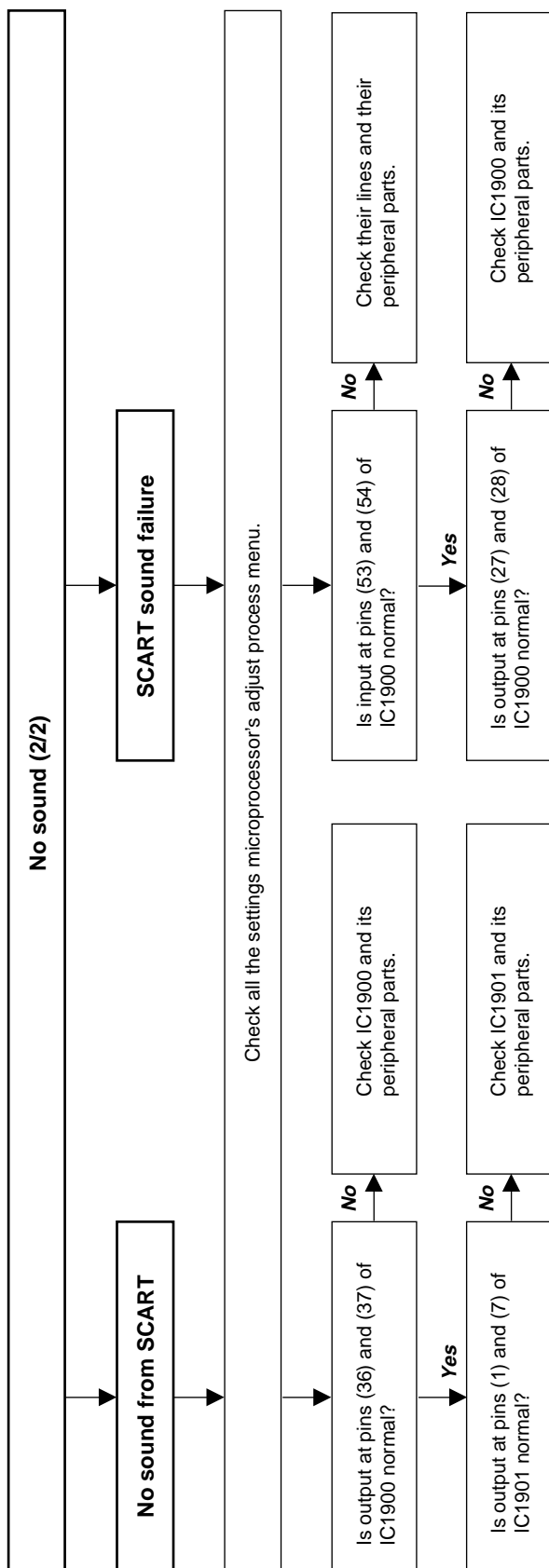
# TROUBLE SHOOTING TABLE (Continued)



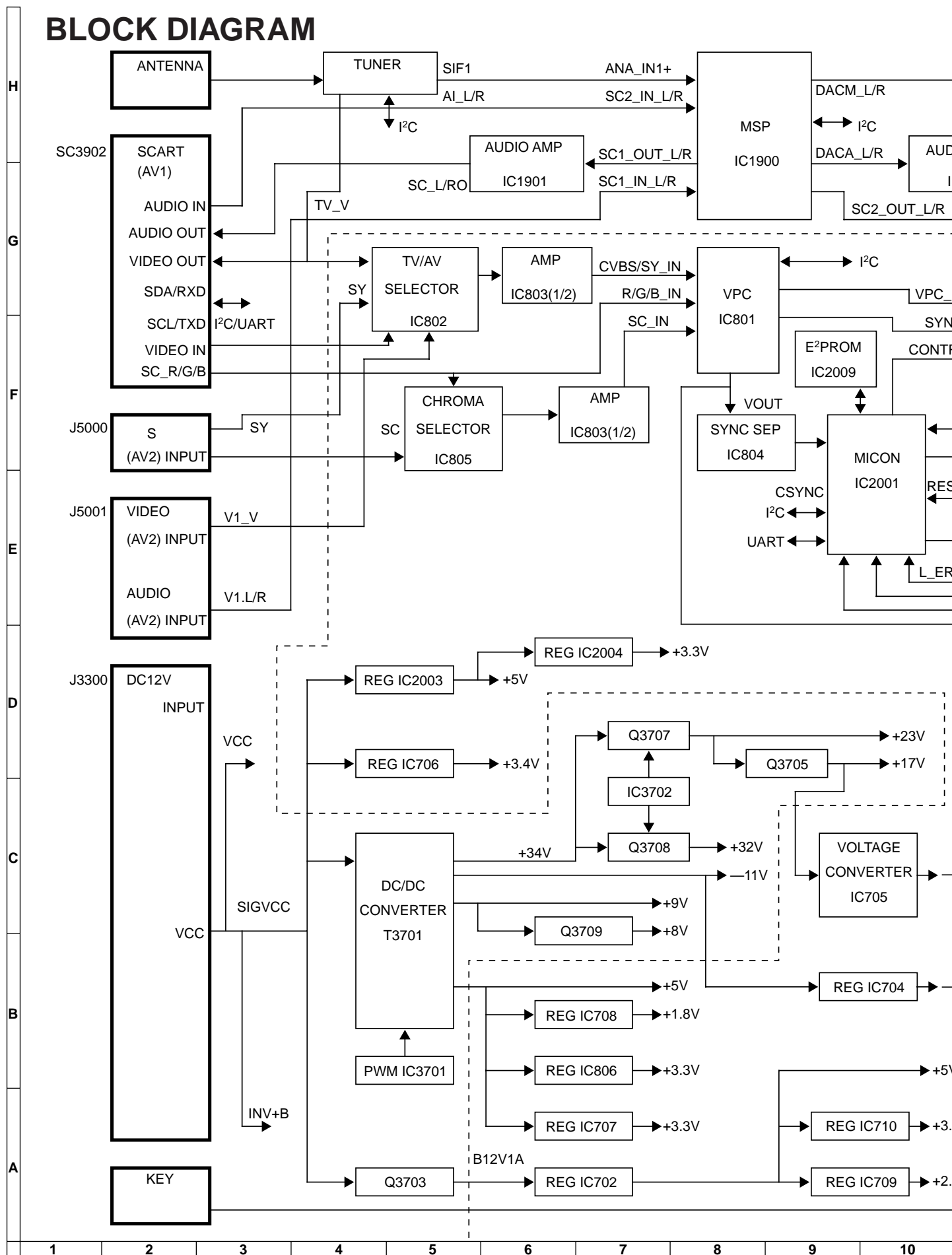
# TROUBLE SHOOTING TABLE (Continued)

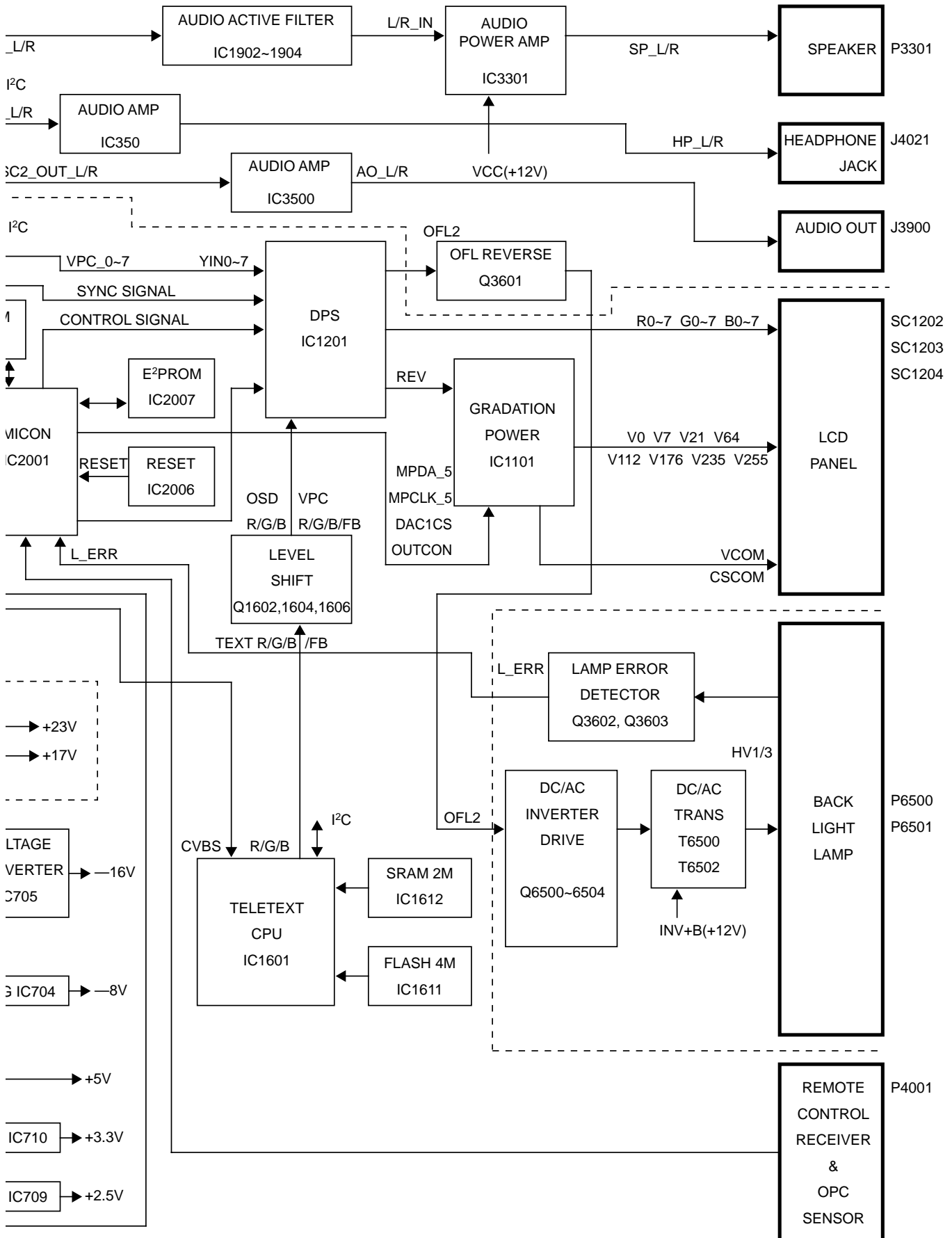


## TROUBLE SHOOTING TABLE (Continued)



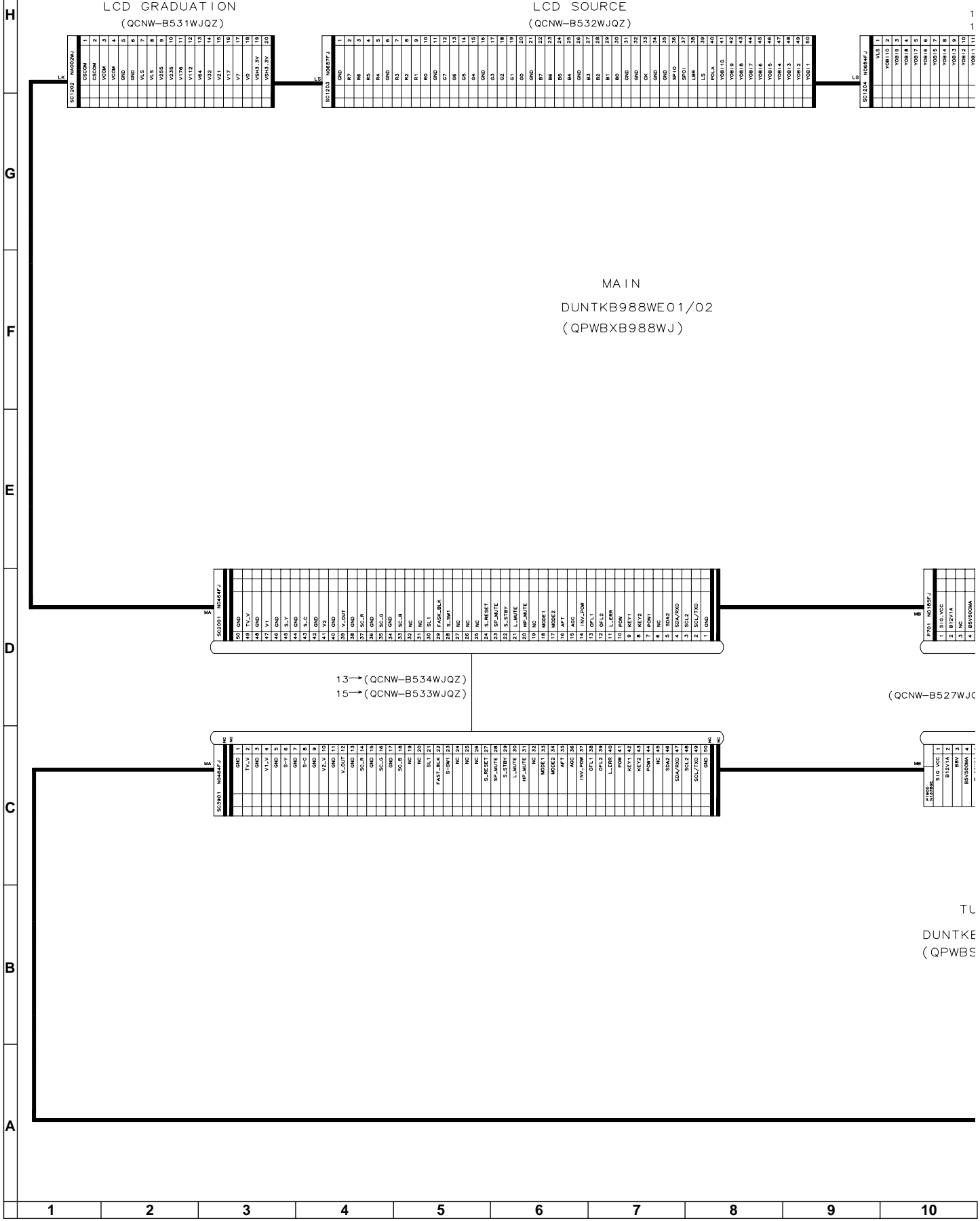
# BLOCK DIAGRAM





10	11	12	13	14	15	16	17	18	19
----	----	----	----	----	----	----	----	----	----

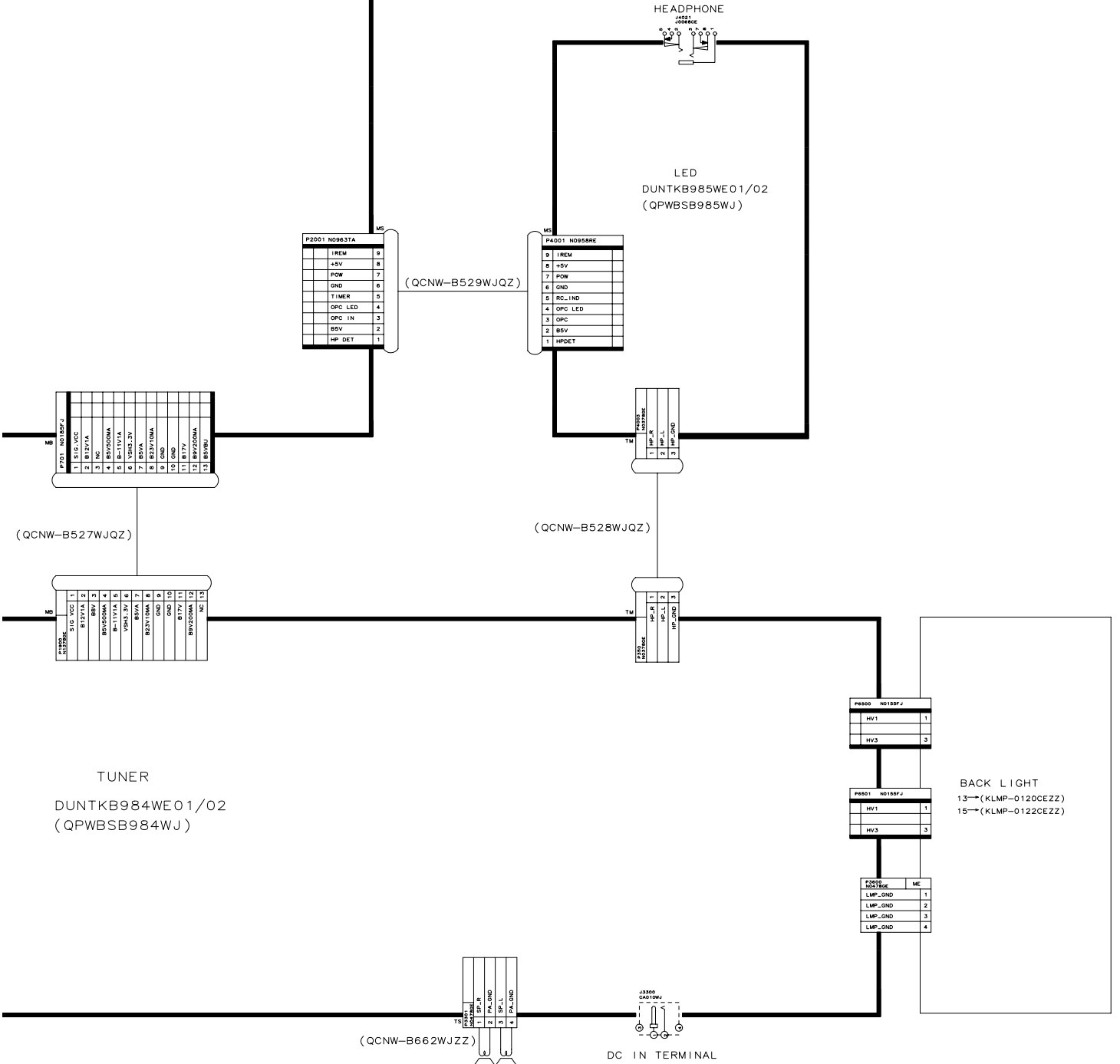
# OVERALL WIRING DIAGRAM



LCD GATE

13 → (QCNW-B779WJQZ)  
15 → (QCNW-B530WJQZ)

V13	1
V08D110	2
V08D10	3
V08D9	4
V08D8	5
V08D7	6
V08D6	7
V08D5	8
V08D4	9
V08D3	10
V08D2	11
V08D1	12
V08	13
V07	14
V06	15
V05	16
V04	17
V03	18
V02	19
V01	20
V00	21
GND	22
GELR	23
DC	24
POWER	25
V0M	26
GP2	27
GP1	28
CS20M	29
CS20M	30



10	11	12	13	14	15	16	17	18	19
----	----	----	----	----	----	----	----	----	----



## DESCRIPTION OF SCHEMATIC DIAGRAM

### VOLTAGE MEASUREMENT CONDITION:

1. The voltages at test points are measured on exclusive AC adaptor and the stable supply voltage of AC 120V. Signals are fed by a color bar signal generator for servicing purpose and the above voltages are measured with a 20k ohm/V tester.

### INDICATION OF RESISTOR & CAPACITOR:

#### RESISTOR

1. The unit of resistance "Ω" is omitted.  
(K=kΩ=1000 Ω, M=MΩ).
2. All resistors are ± 5%, unless otherwise noted.  
(J= ± 5%, F= ± 1%, D= ± 0.5%)
3. All resistors are 1/16W, unless otherwise noted.
4. All resistors are Carbon type, unless otherwise noted.

©: Solid                      Ⓞ: Cement  
Ⓢ: Oxide Film              Ⓣ: Special  
Ⓝ: Metal Coating

#### CAPACITOR

1. All capacitors are μF, unless otherwise noted.  
(P=pF=μμF).
2. All capacitors are 50V, unless otherwise noted.
3. All capacitors are Ceramic type, unless otherwise noted.

(ML): Mylar                      (TA): Tantalum  
(PF): Polypro Film              (ST): Styrol

#### CAUTION:

This circuit diagram is original one, therefore there may be a slight difference from yours.

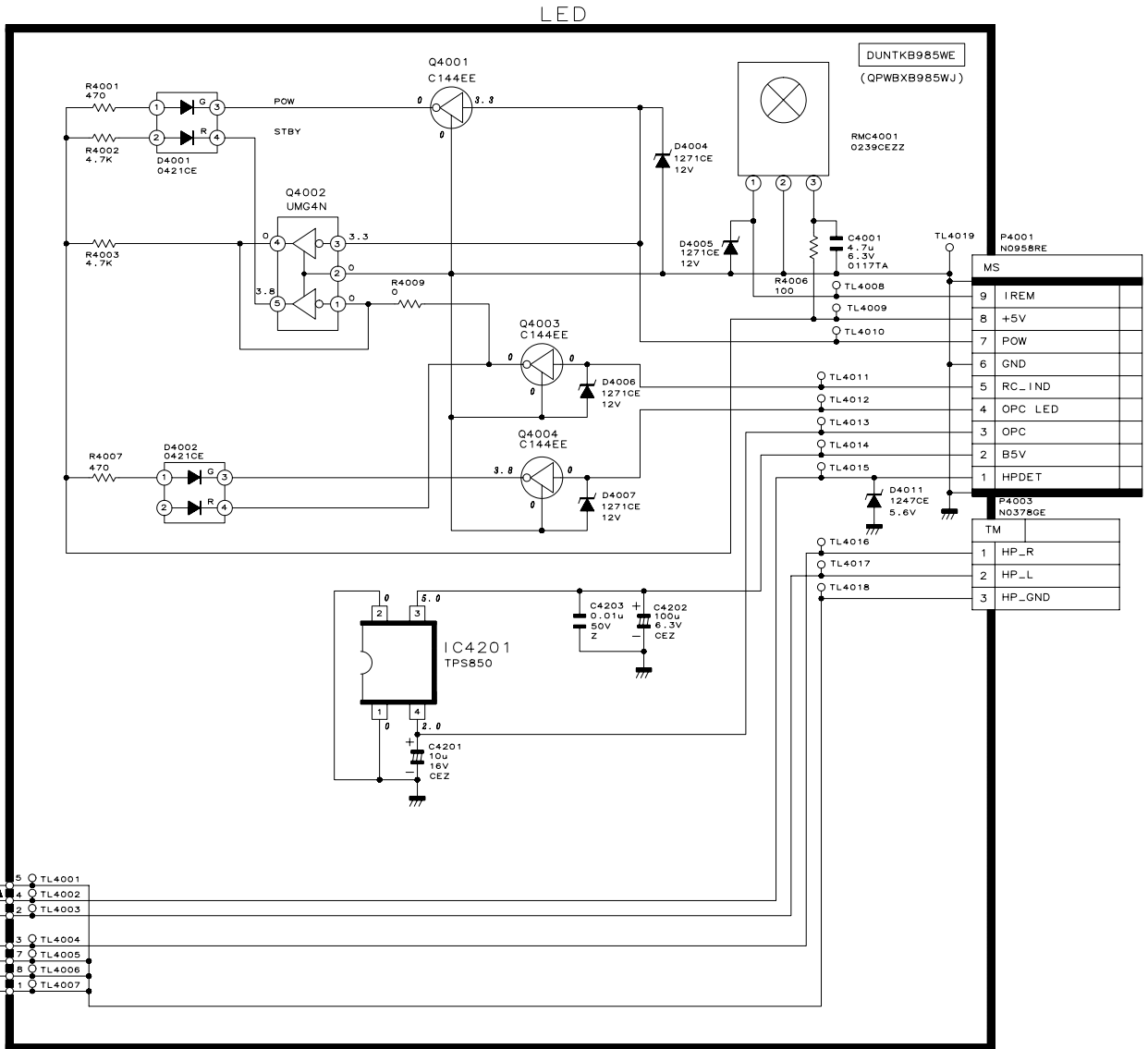
#### **IMPORTANT SAFETY NOTICE:**

**PARTS MARKED WITH "△" ( ) ARE IMPORTANT FOR MAINTAINING THE SAFETY OF THE SET. BE SURE TO REPLACE THESE PARTS WITH SPECIFIED ONES FOR MAINTAINING THE SAFETY AND PERFORMANCE OF THE SET.**

# SCHEMATIC DIAGRAM

## ■ R/C, LED Unit

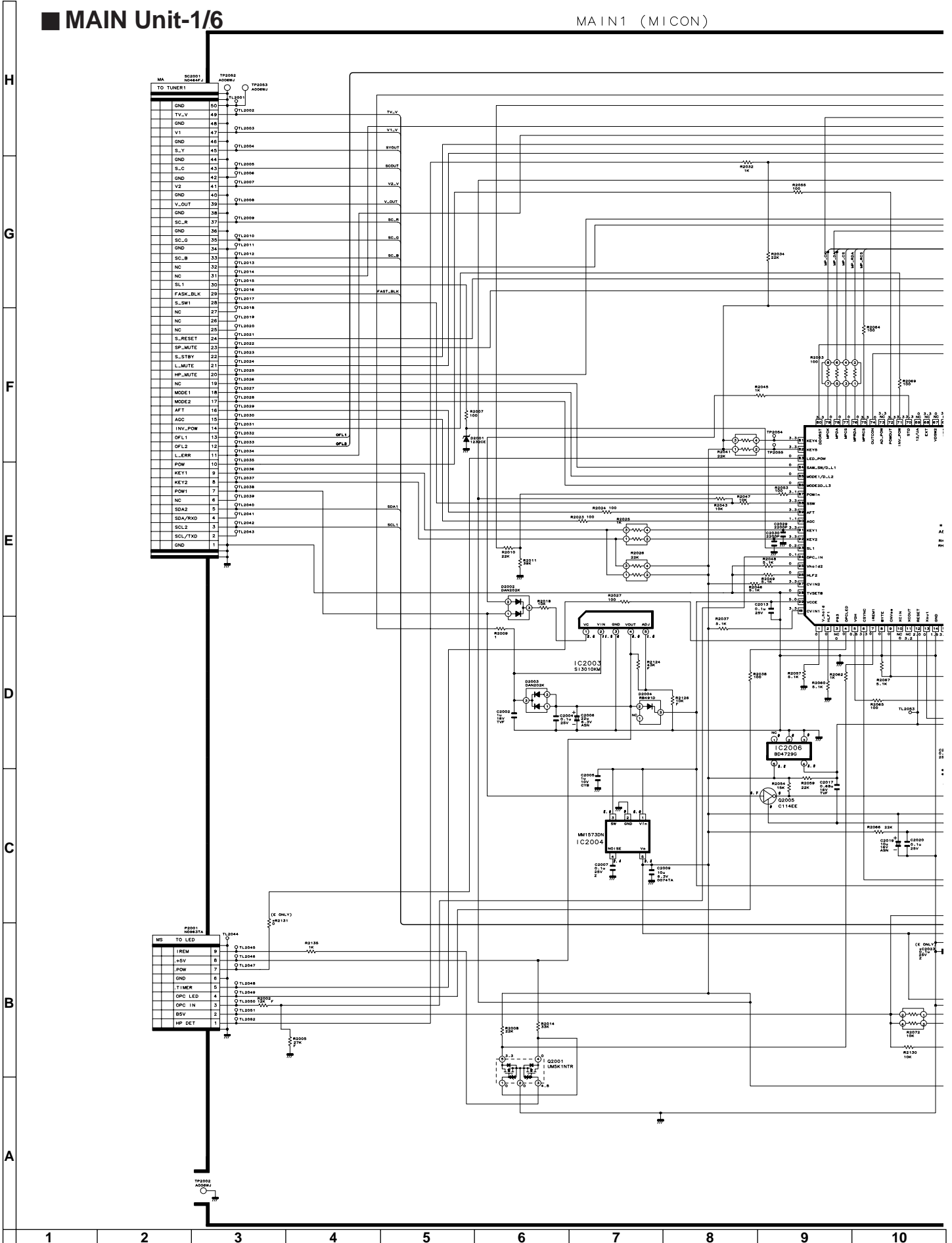
H  
G  
F  
E  
D  
C  
B  
A

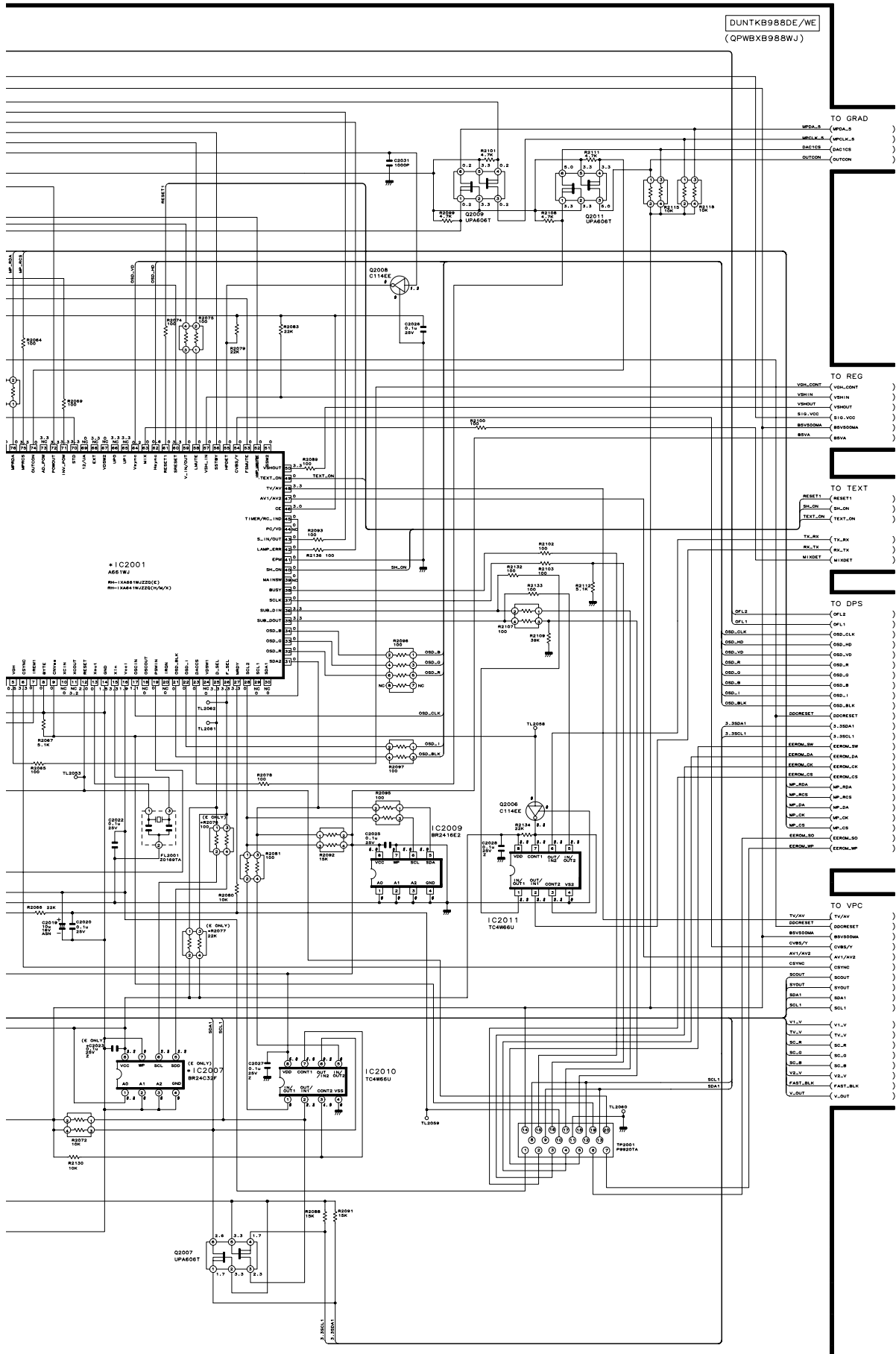


1 2 3 4 5 6

MAIN Unit-1/6

MAIN1 (MICON)



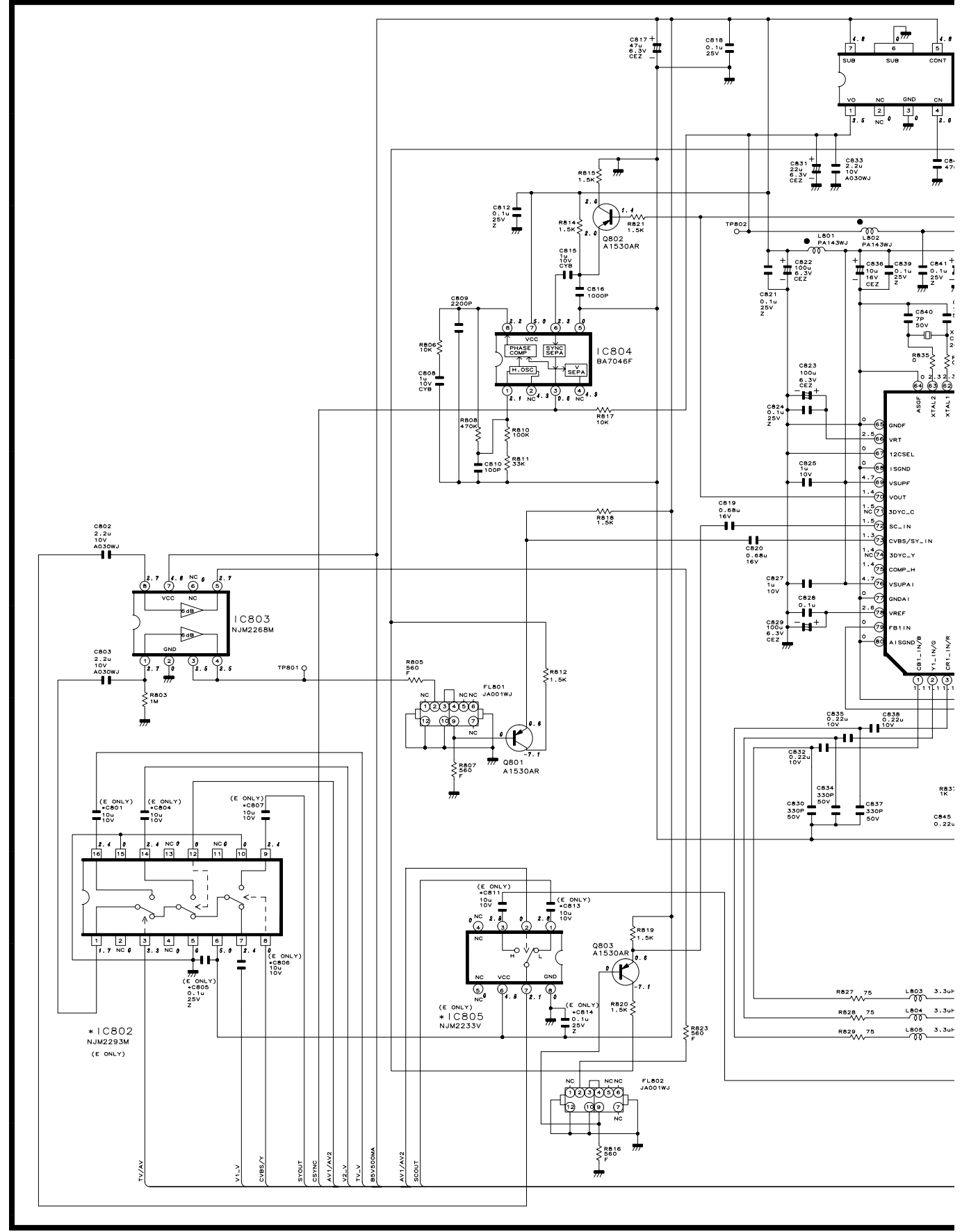


10	11	12	13	14	15	16	17	18	19
----	----	----	----	----	----	----	----	----	----

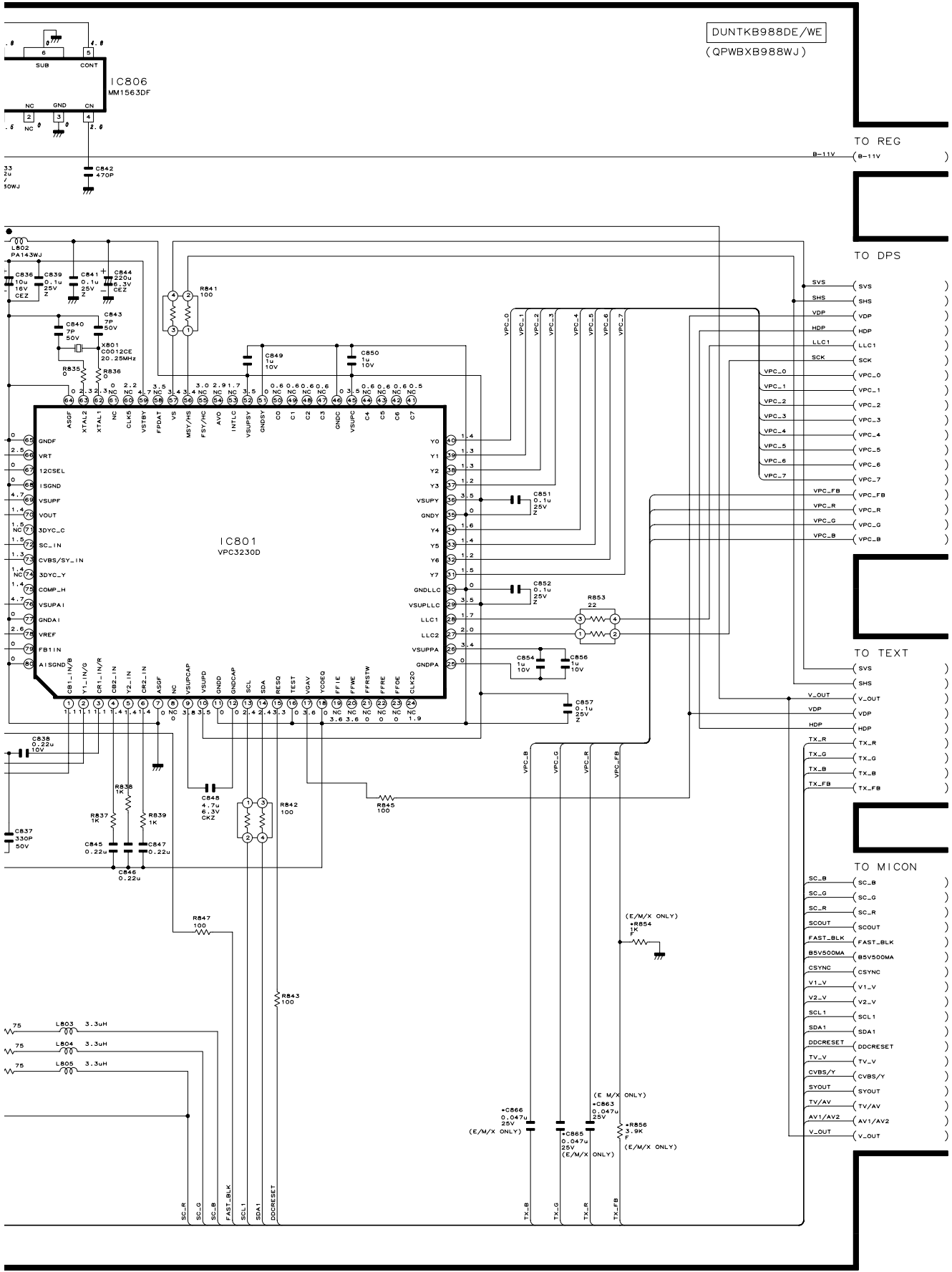
# MAIN Unit-2/6

## MAIN2 (VPC)

H  
G  
F  
E  
D  
C  
B  
A



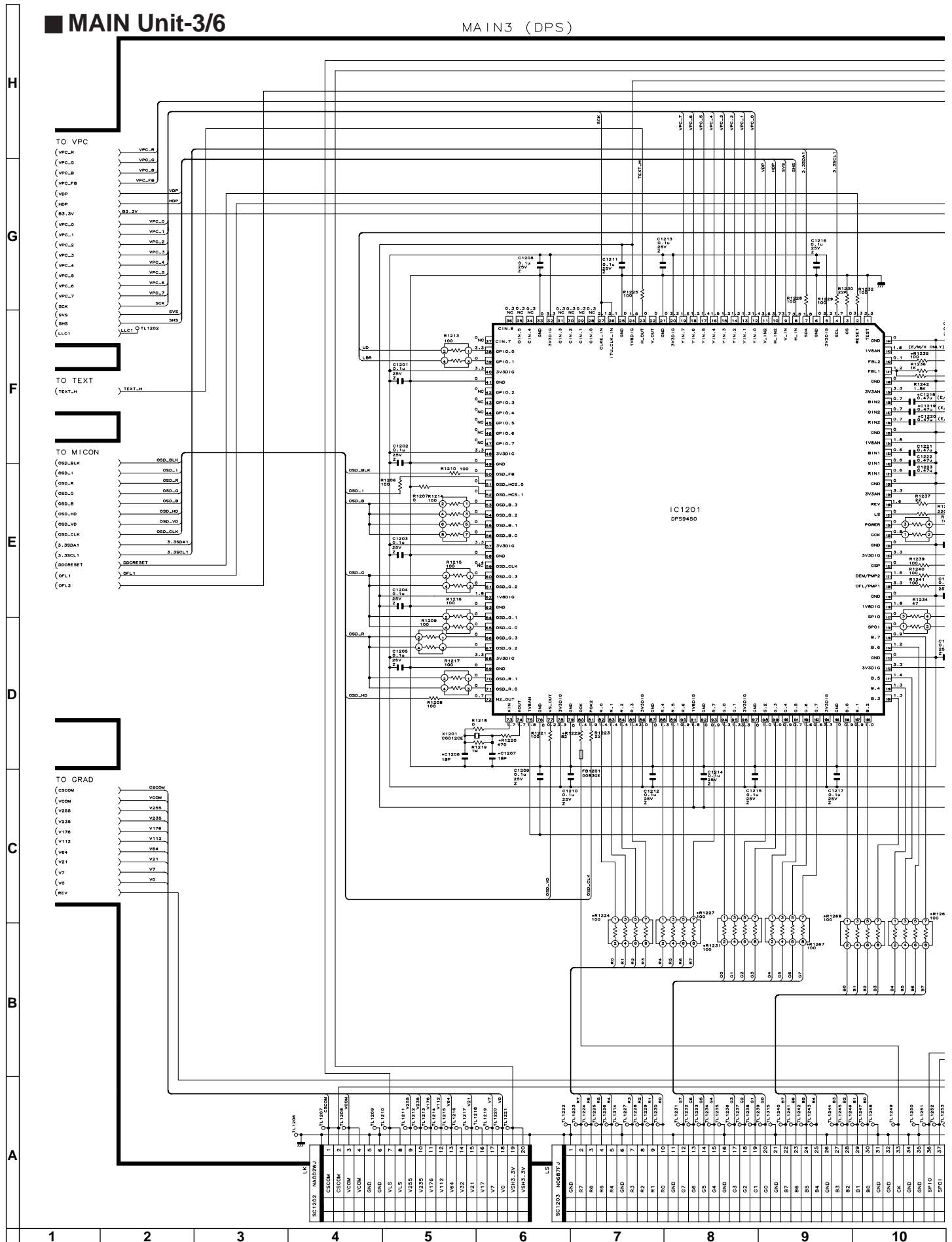
1 2 3 4 5 6 7 8 9 10



10	11	12	13	14	15	16	17	18	19
----	----	----	----	----	----	----	----	----	----

MAIN Unit-3/6

MAIN3 (DPS)

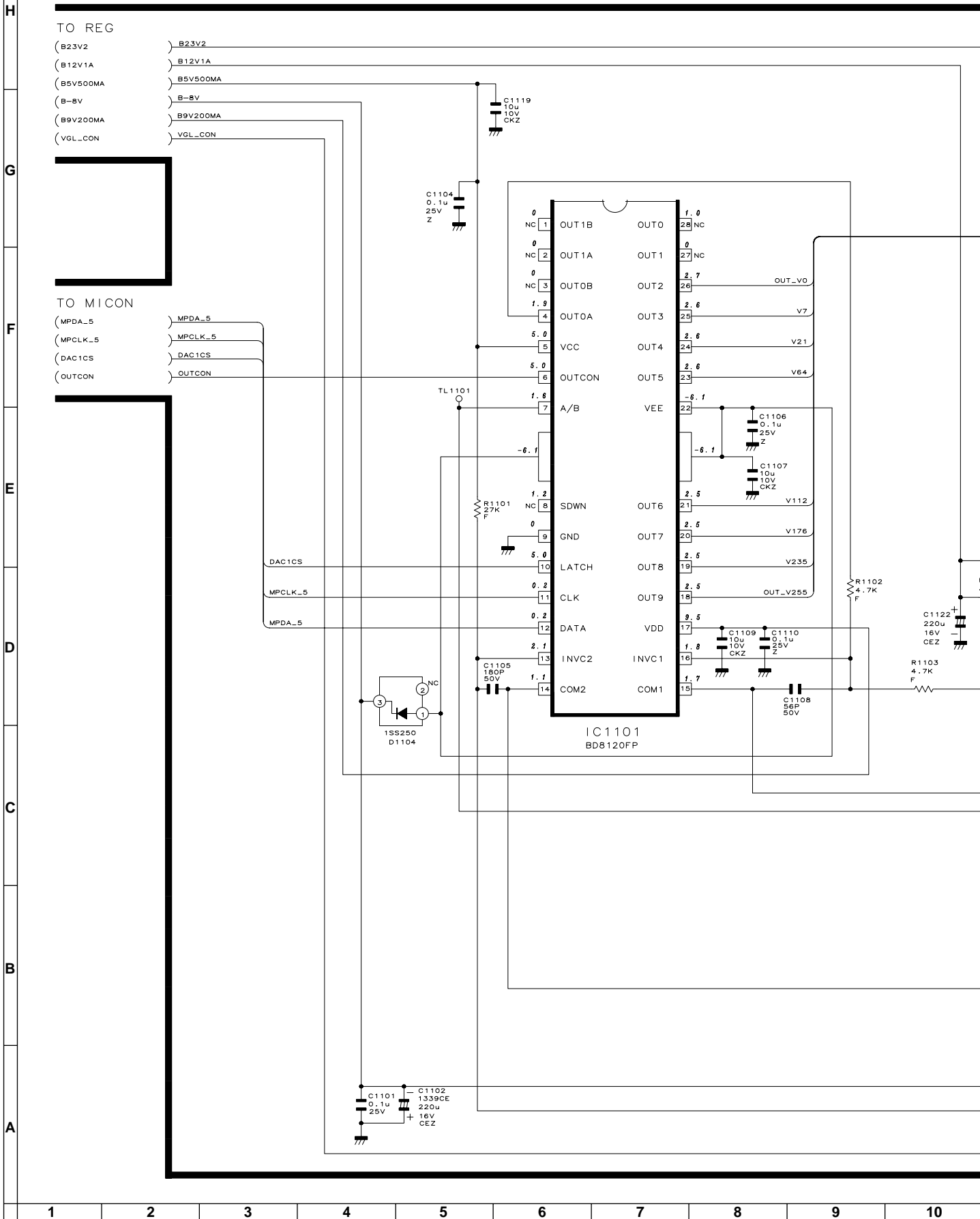




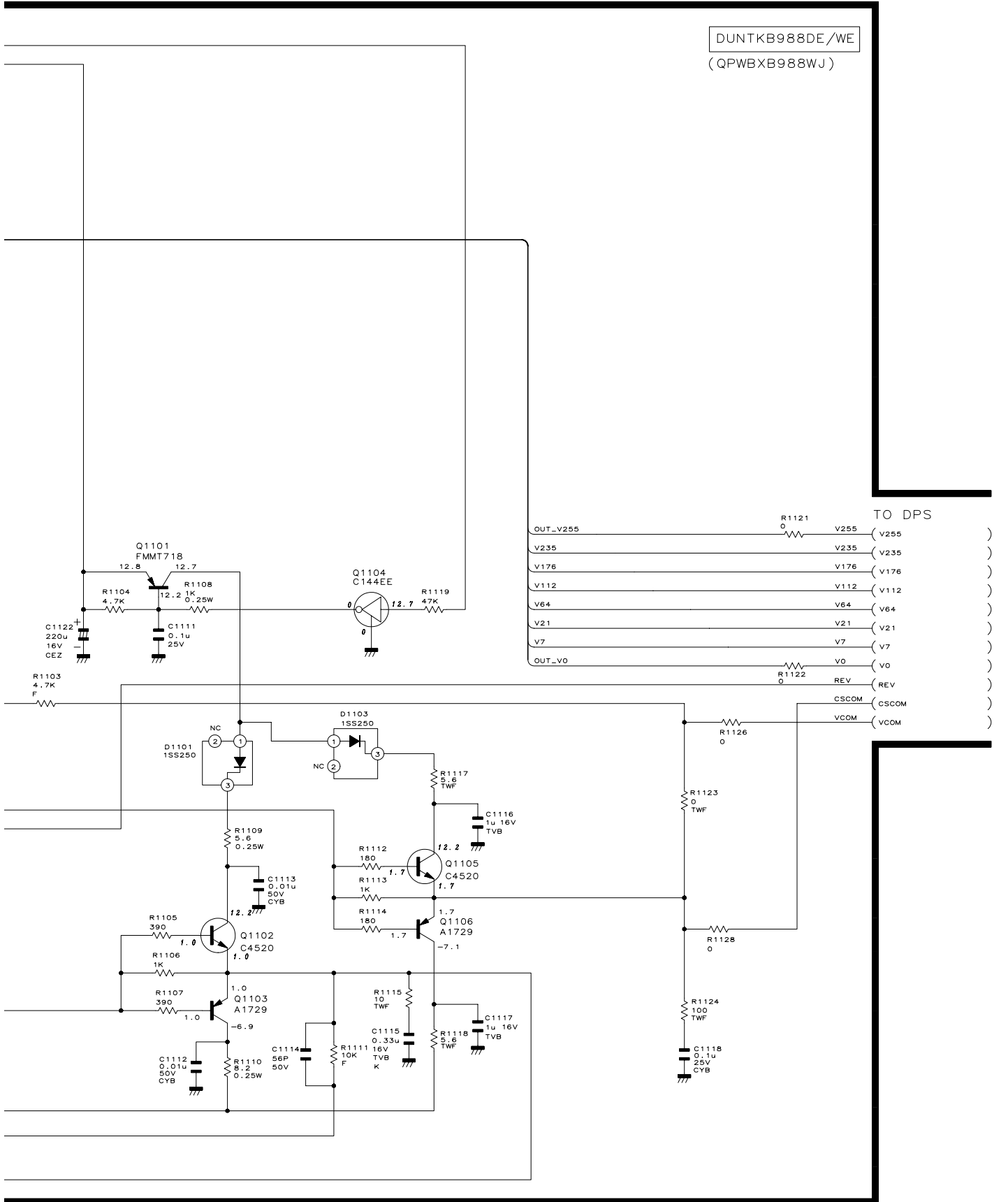


MAIN Unit-4/6

MAIN4 (GRAD)



DUNTKB988DE/WE  
(QPWBXB988WJ)

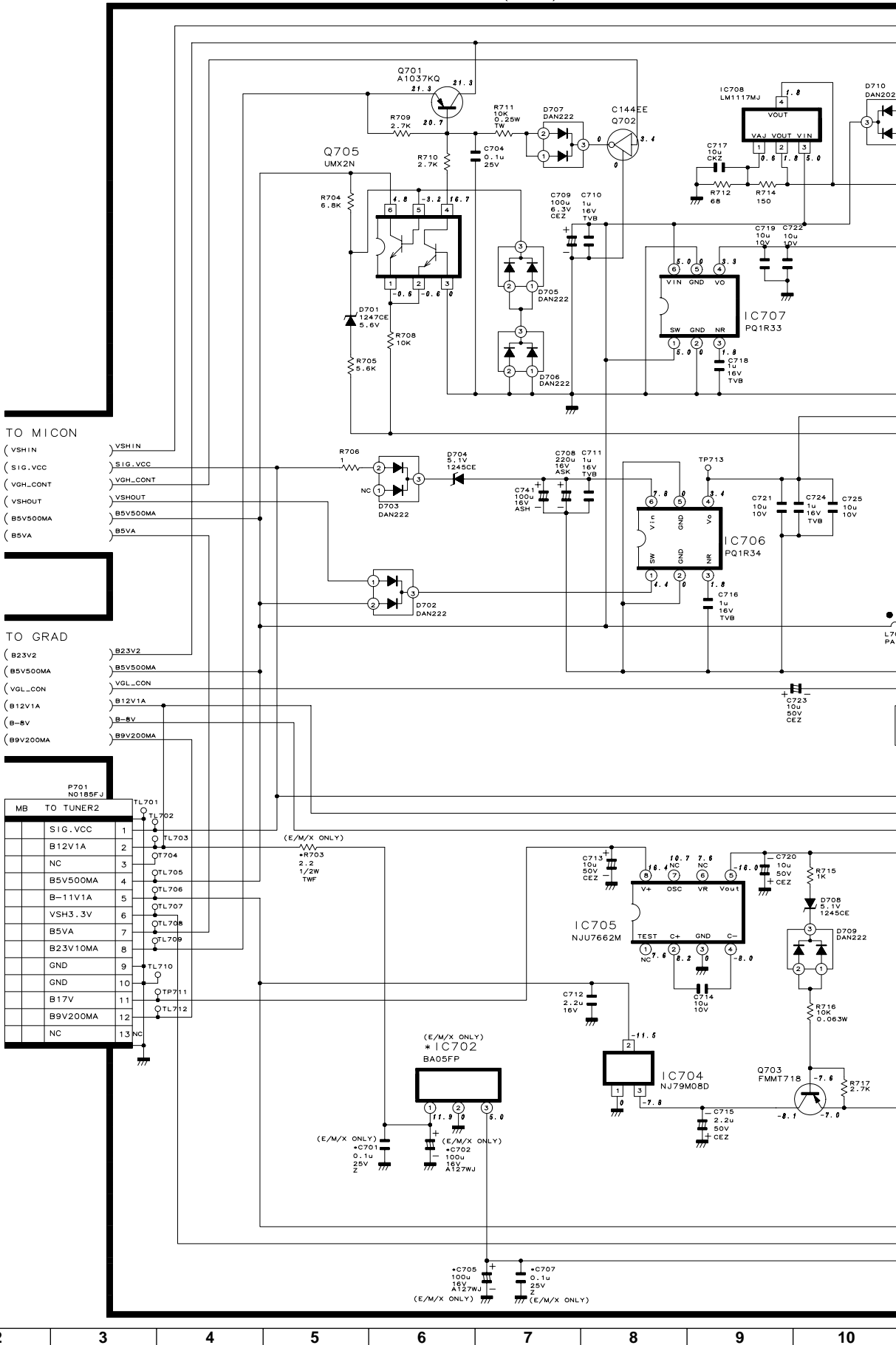


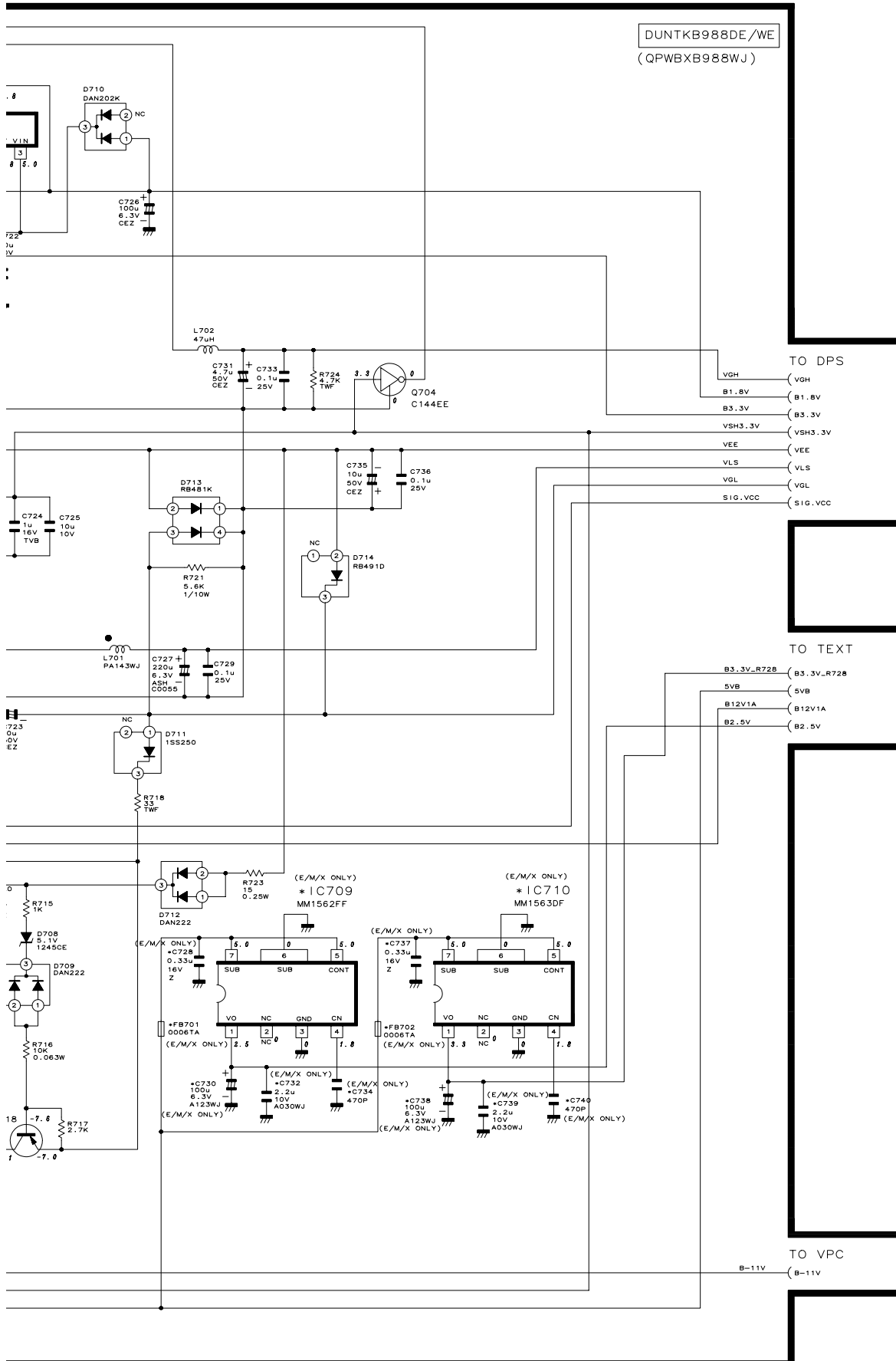
10	11	12	13	14	15	16	17	18	19
----	----	----	----	----	----	----	----	----	----

MAIN Unit-5/6

MAIN5 (REG)

H  
G  
F  
E  
D  
C  
B  
A

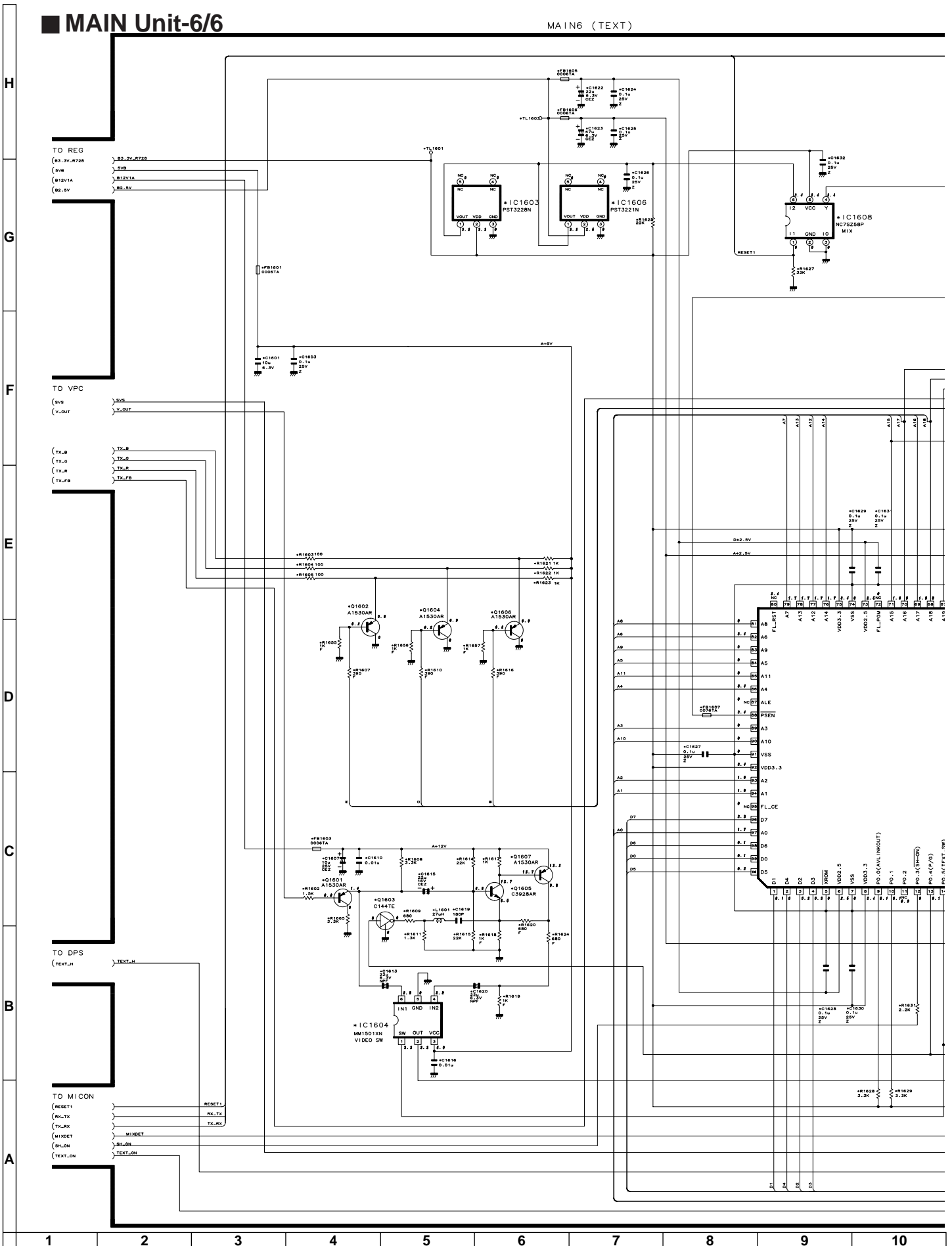




10	11	12	13	14	15	16	17	18	19
----	----	----	----	----	----	----	----	----	----

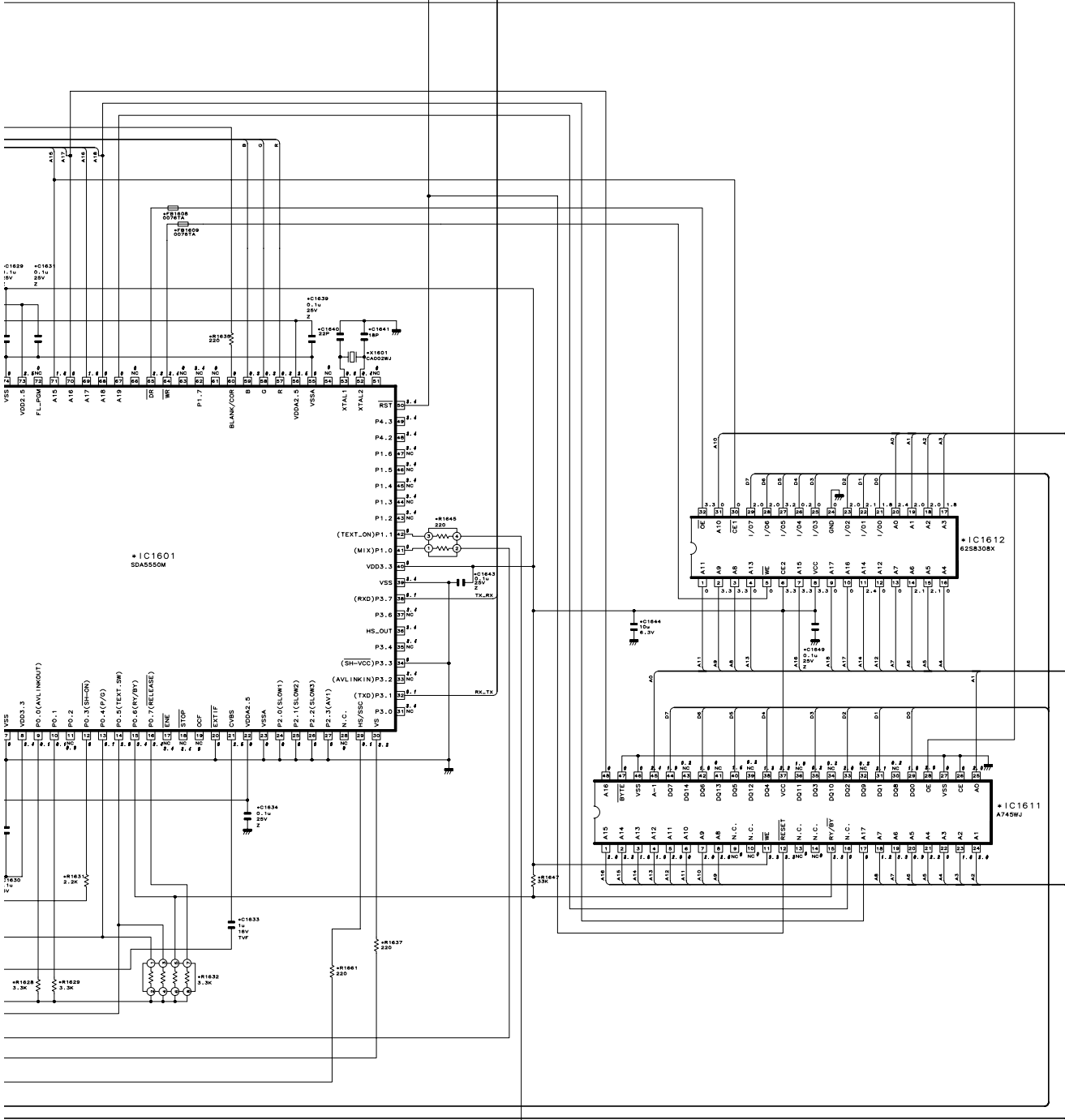
MAIN Unit-6/6

MAIN6 (TEXT)



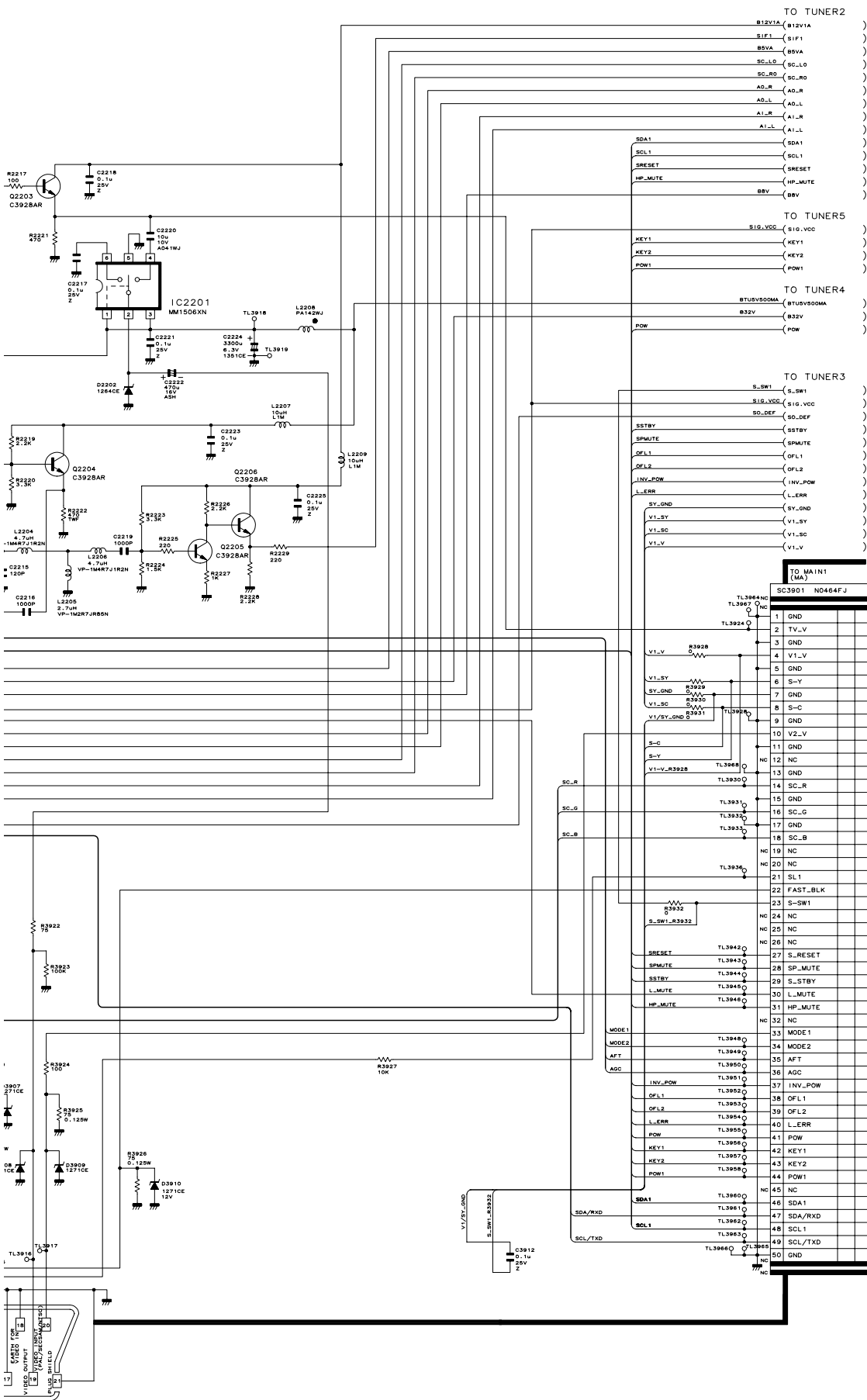
DUNTKB988DE/WE  
(QPWBXB988WJ)

1608  
256P



10	11	12	13	14	15	16	17	18	19
----	----	----	----	----	----	----	----	----	----



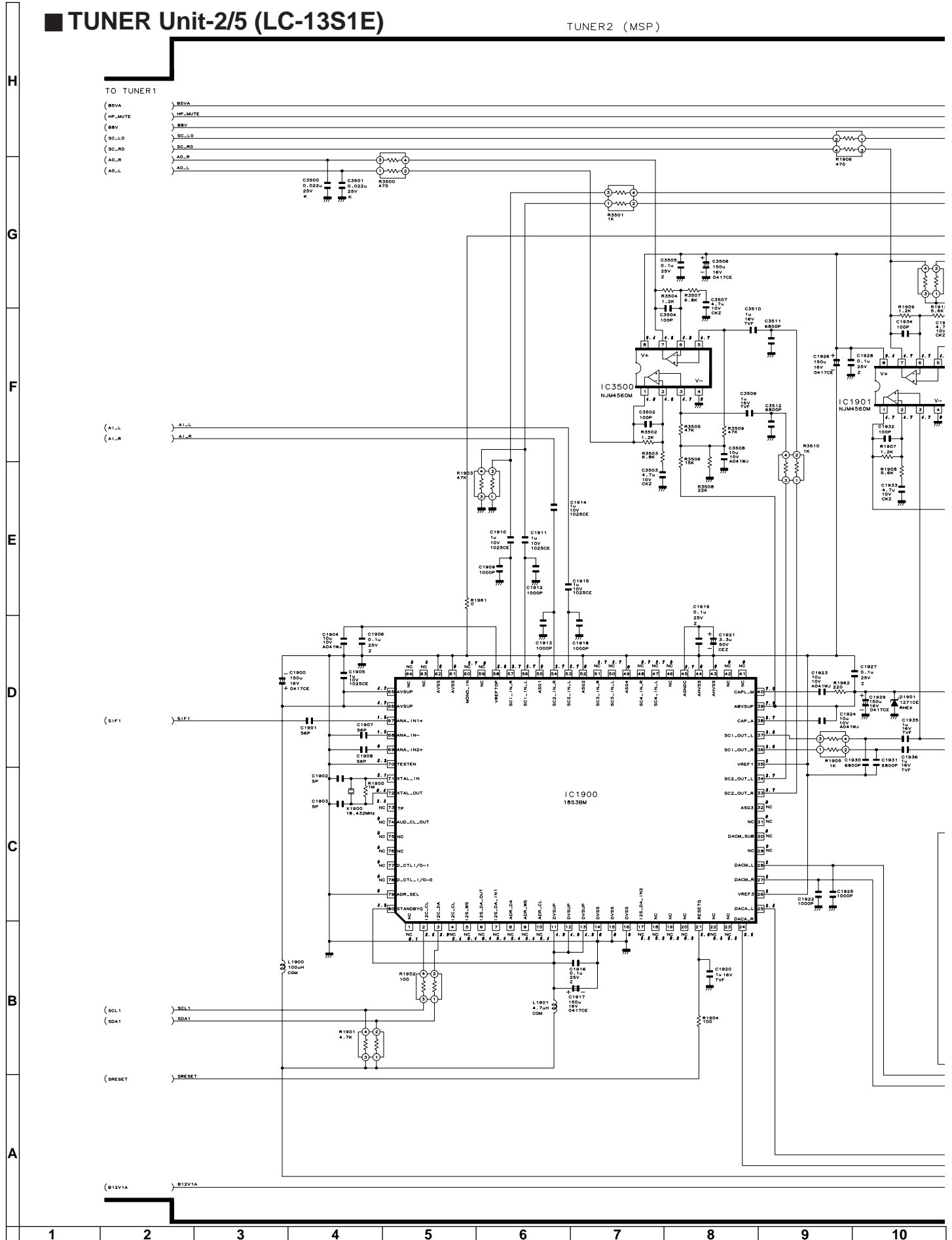


10	11	12	13	14	15	16	17	18	19
----	----	----	----	----	----	----	----	----	----

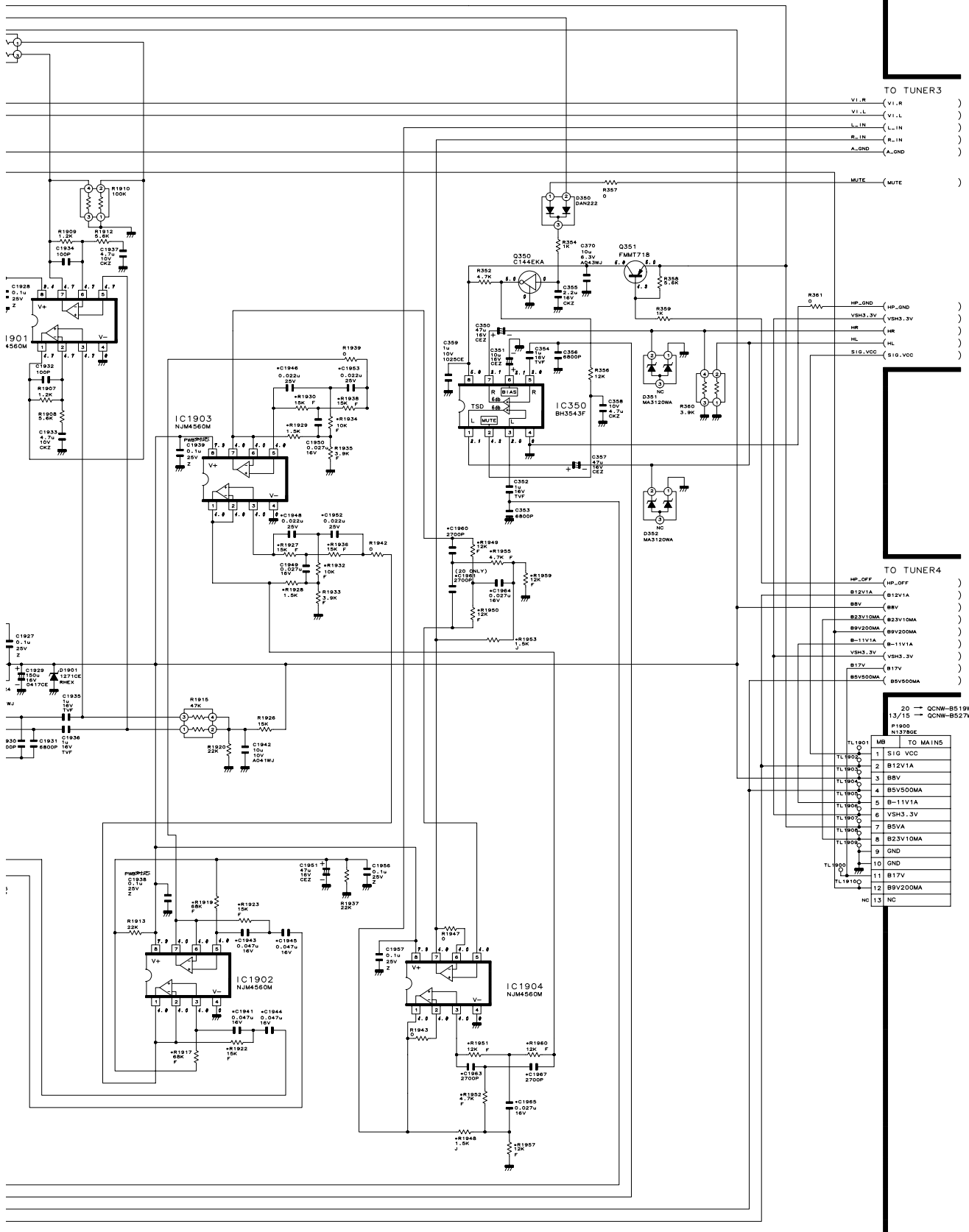


**TUNER Unit-2/5 (LC-13S1E)**

TUNER2 (MSP)



DUNTKB984DE/WE  
(QPWSB984WJ)



TO TUNER3  
V1.R (V1.R)  
V1.L (V1.L)  
L.IN (L.IN)  
R.IN (R.IN)  
A.GND (A.GND)

MUTE (MUTE)

HP\_GND (HP\_GND)  
VSH3\_3V (VSH3\_3V)  
HR (HR)  
HL (HL)  
SIG\_VCC (SIG\_VCC)

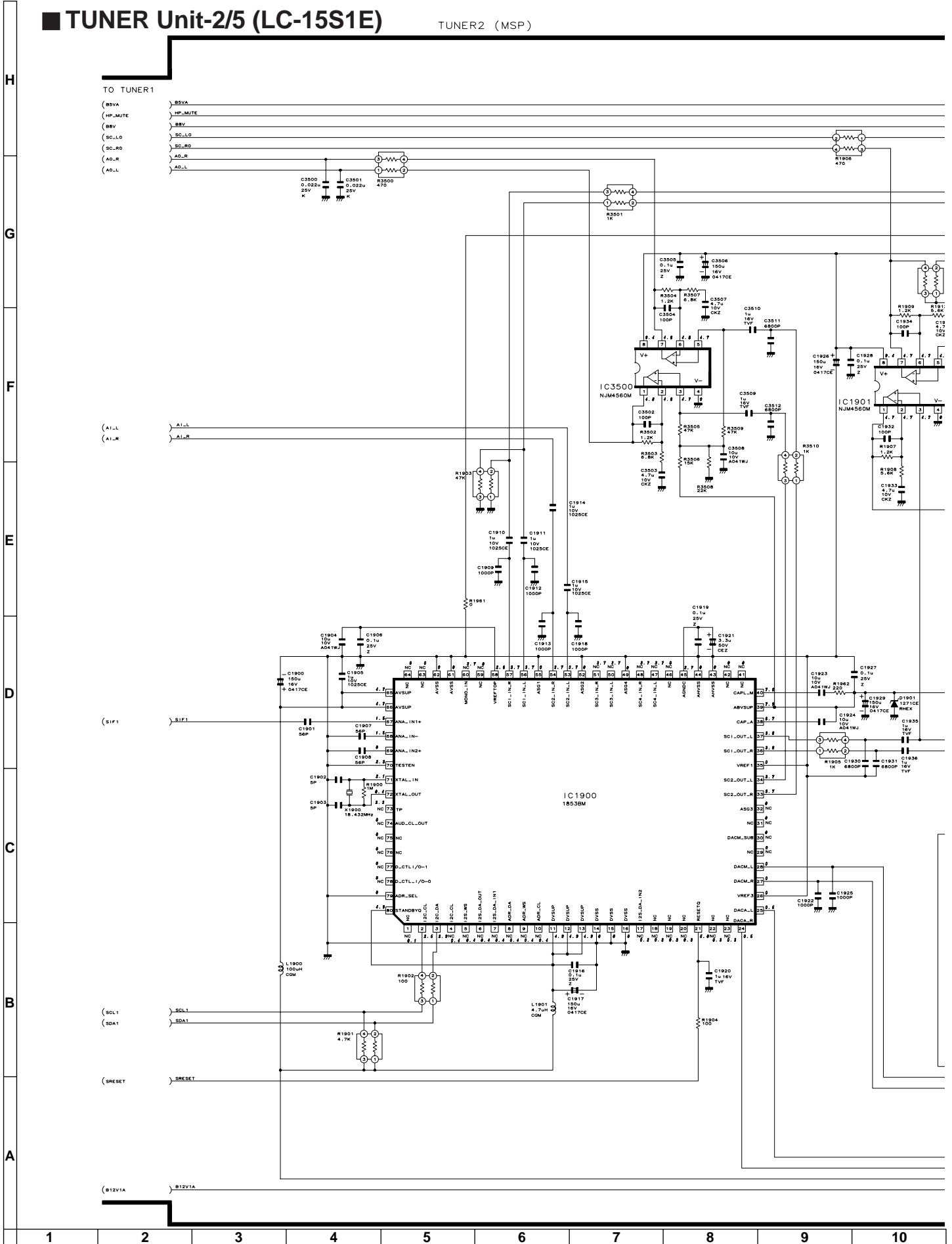
TO TUNER4  
HP\_OFF (HP\_OFF)  
B12V1A (B12V1A)  
BBV (BBV)  
B23V10MA (B23V10MA)  
B9V200MA (B9V200MA)  
B-11V1A (B-11V1A)  
VSH3\_3V (VSH3\_3V)  
B17V (B17V)  
BSV500MA (BSV500MA)

20 — GCNW-B519W  
13/15 — GCNW-B527W

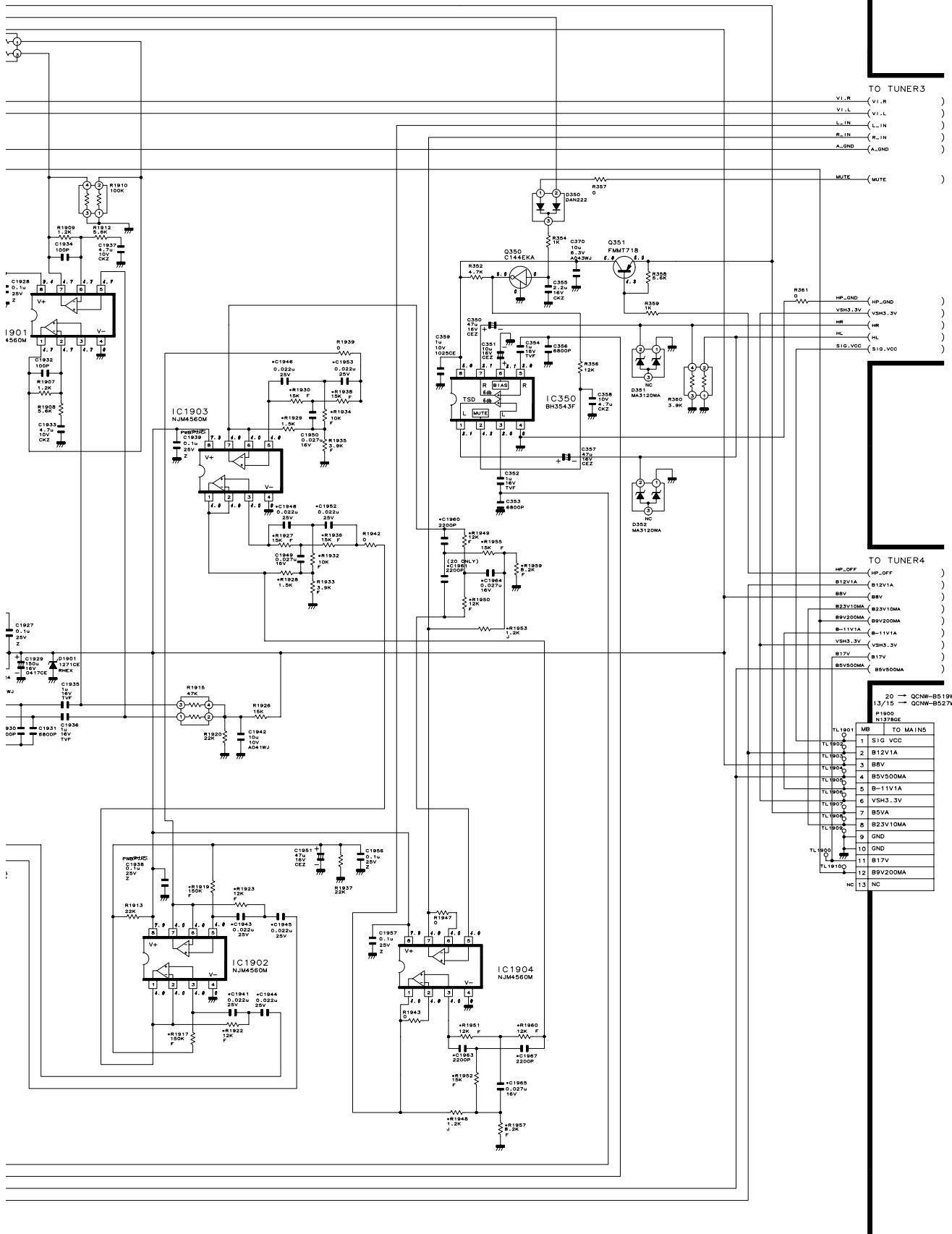
TL1901	MB	TO MAINS
TL1902	1	SIG_VCC
TL1903	2	B12V1A
TL1904	3	BBV
TL1905	4	BSV500MA
TL1906	5	B-11V1A
TL1907	6	VSH3_3V
TL1908	7	B5VA
TL1909	8	B23V10MA
TL1910	9	GND
TL1911	10	GND
TL1912	11	B17V
TL1913	12	BSV200MA
TL1914	13	NC

# TUNER Unit-2/5 (LC-15S1E)

TUNER2 (MSP)



DUNTKB984DE/WE  
(QPWSB984WJ)



TO TUNER3  
V1.R (V1.R)  
V1.L (V1.L)  
L.IN (L.IN)  
R.IN (R.IN)  
A.GND (A.GND)

MUTE (MUTE)

HP\_GND (HP\_GND)  
VSH3\_3V (VSH3\_3V)  
HR (HR)  
HL (HL)  
SIG\_VCC (SIG\_VCC)

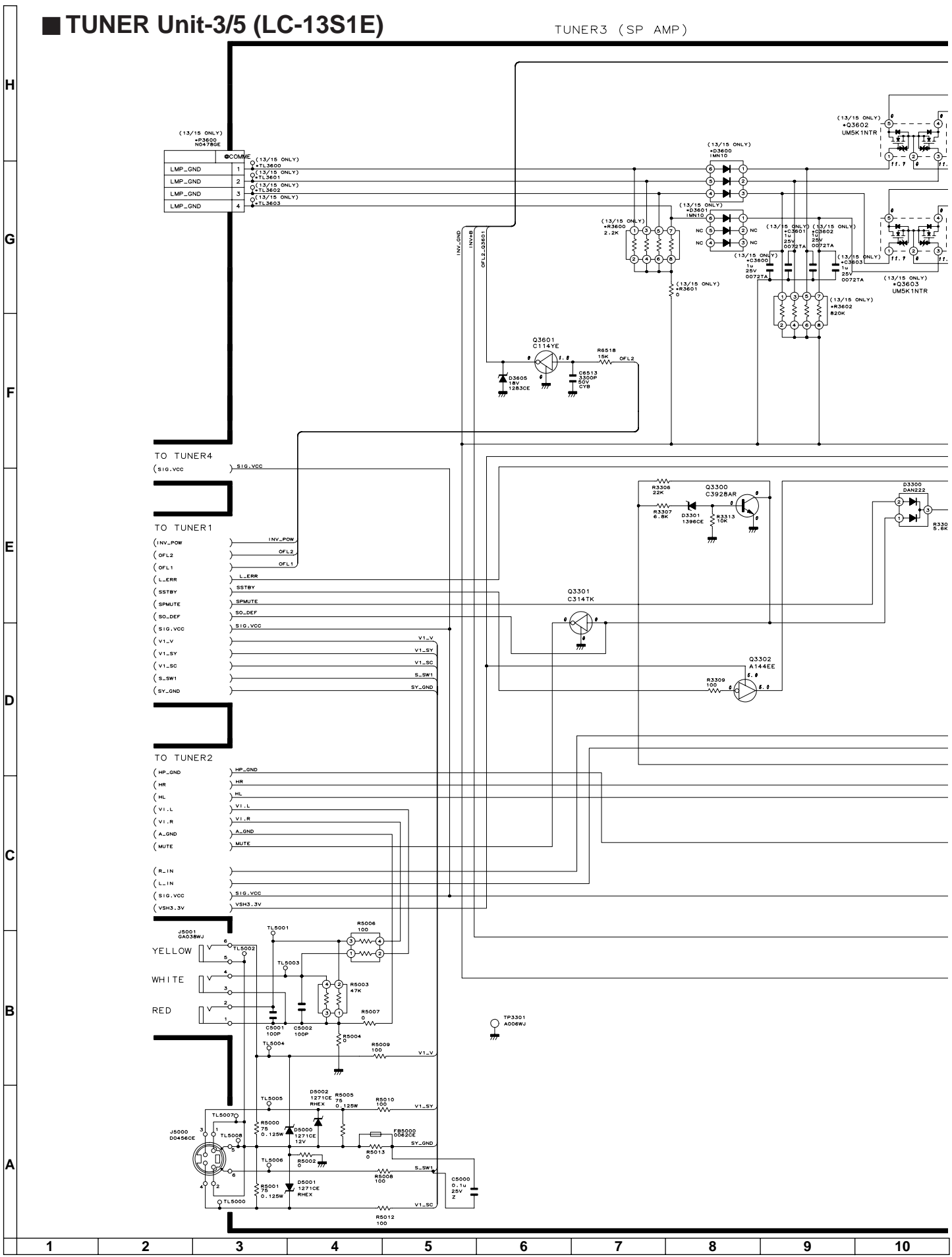
TO TUNER4  
HP\_OFF (HP\_OFF)  
B12V1A (B12V1A)  
BBV (BBV)  
B23V10MA (B23V10MA)  
B9V200MA (B9V200MA)  
B-11V1A (B-11V1A)  
VSH3\_3V (VSH3\_3V)  
B17V (B17V)  
BSV500MA (BSV500MA)

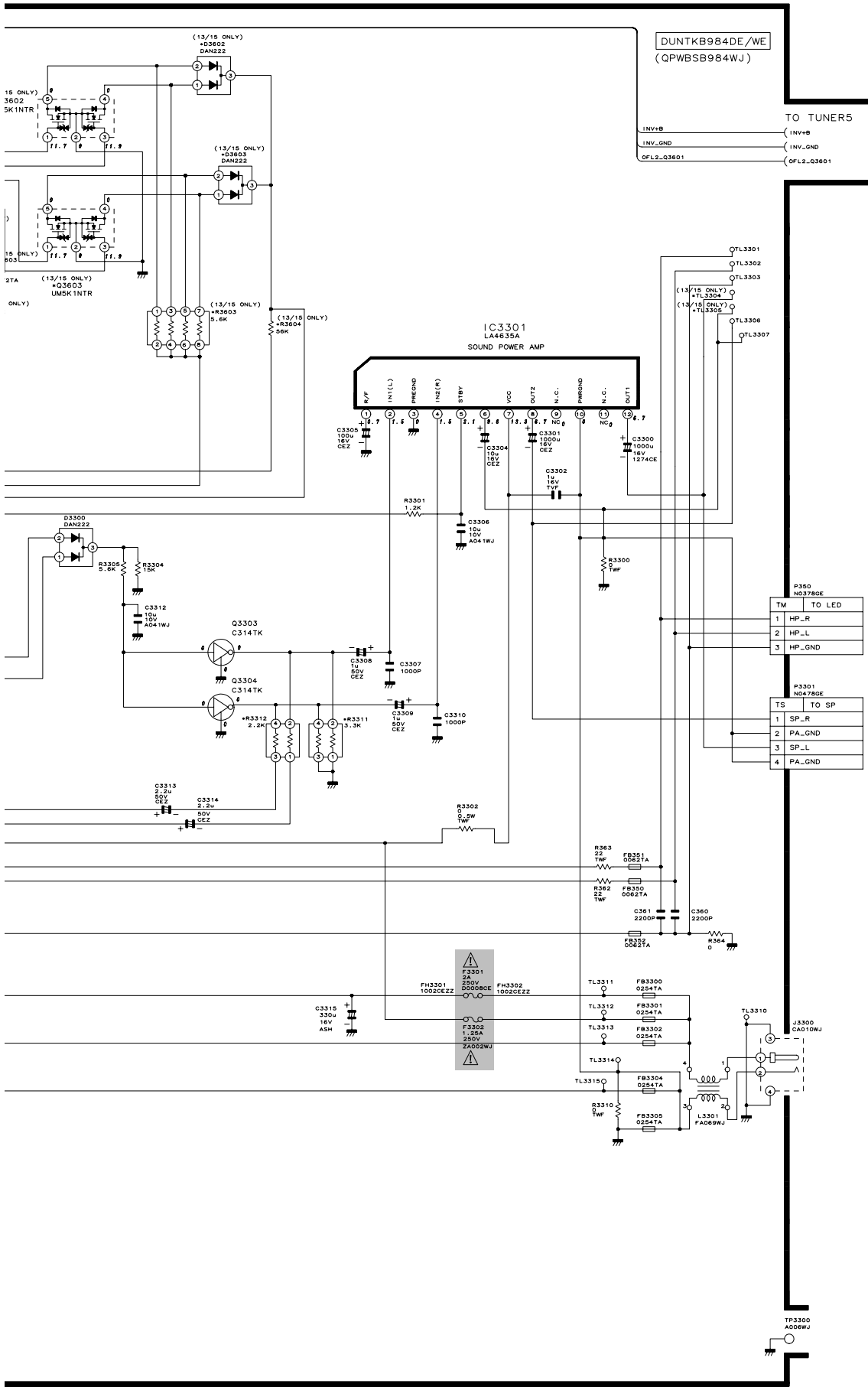
20 — GCNW-B519W  
13/15 — GCNW-B527W

TL1901	MB	TO MAINS
TL1902	1	SIG_VCC
TL1903	2	B12V1A
TL1904	3	BBV
TL1905	4	BSV500MA
TL1906	5	B-11V1A
TL1907	6	VSH3_3V
TL1908	7	B5VA
TL1909	8	B23V10MA
TL1910	9	GND
TL1911	10	GND
TL1912	11	B17V
TL1913	12	BSV200MA
TL1914	13	NC

# TUNER Unit-3/5 (LC-13S1E)

TUNER3 (SP AMP)

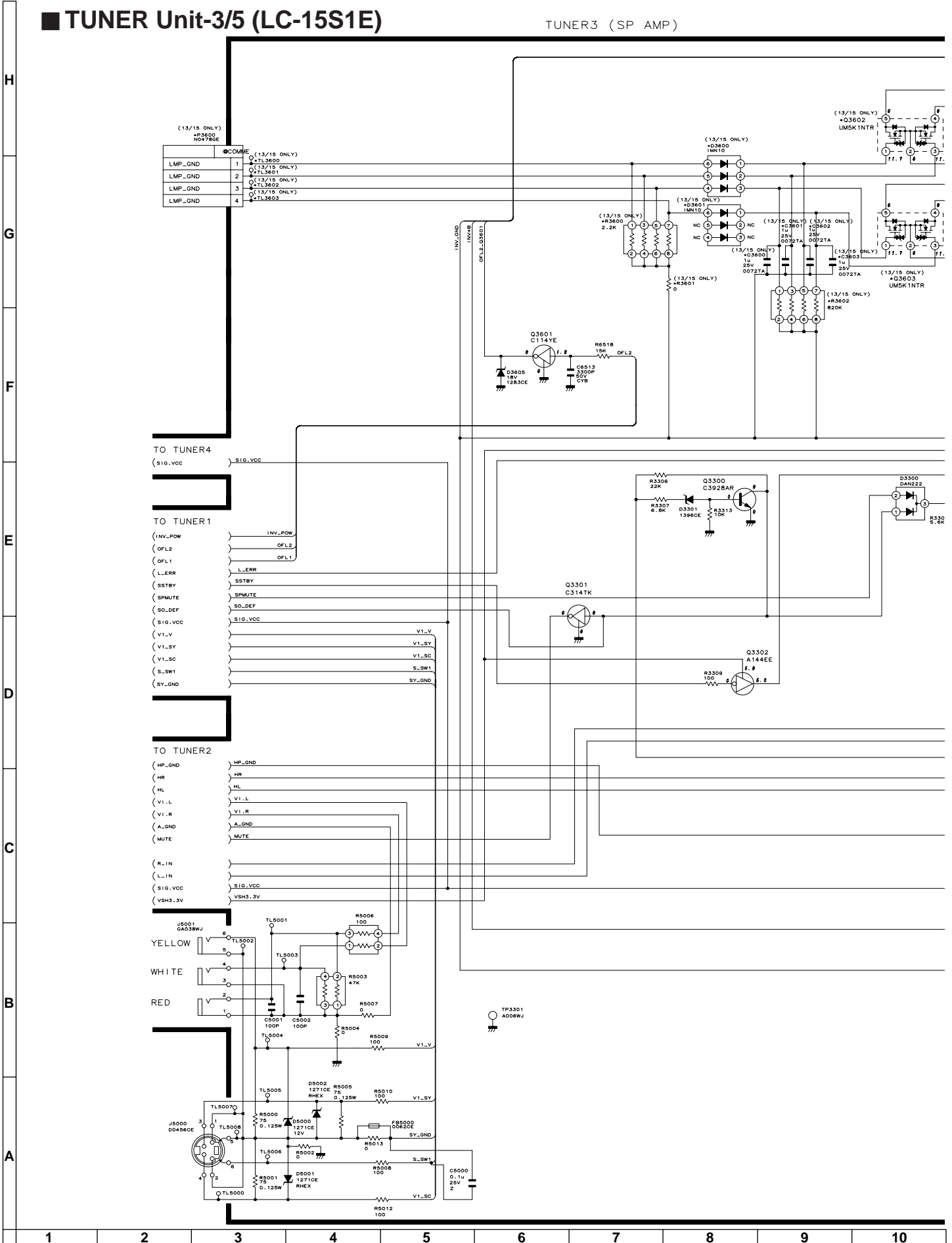


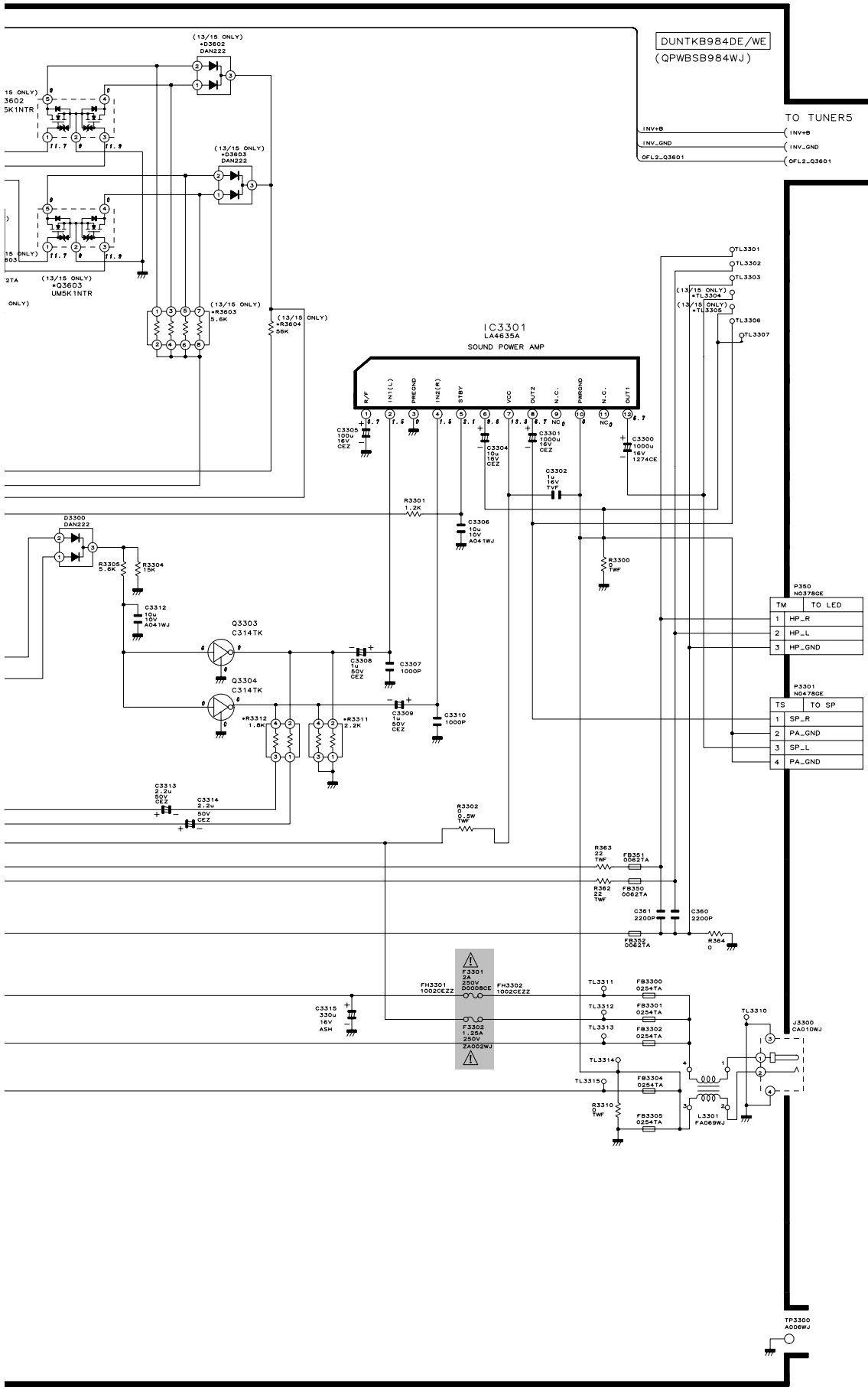


10	11	12	13	14	15	16	17	18	19
----	----	----	----	----	----	----	----	----	----

# TUNER Unit-3/5 (LC-15S1E)

TUNER3 (SP AMP)

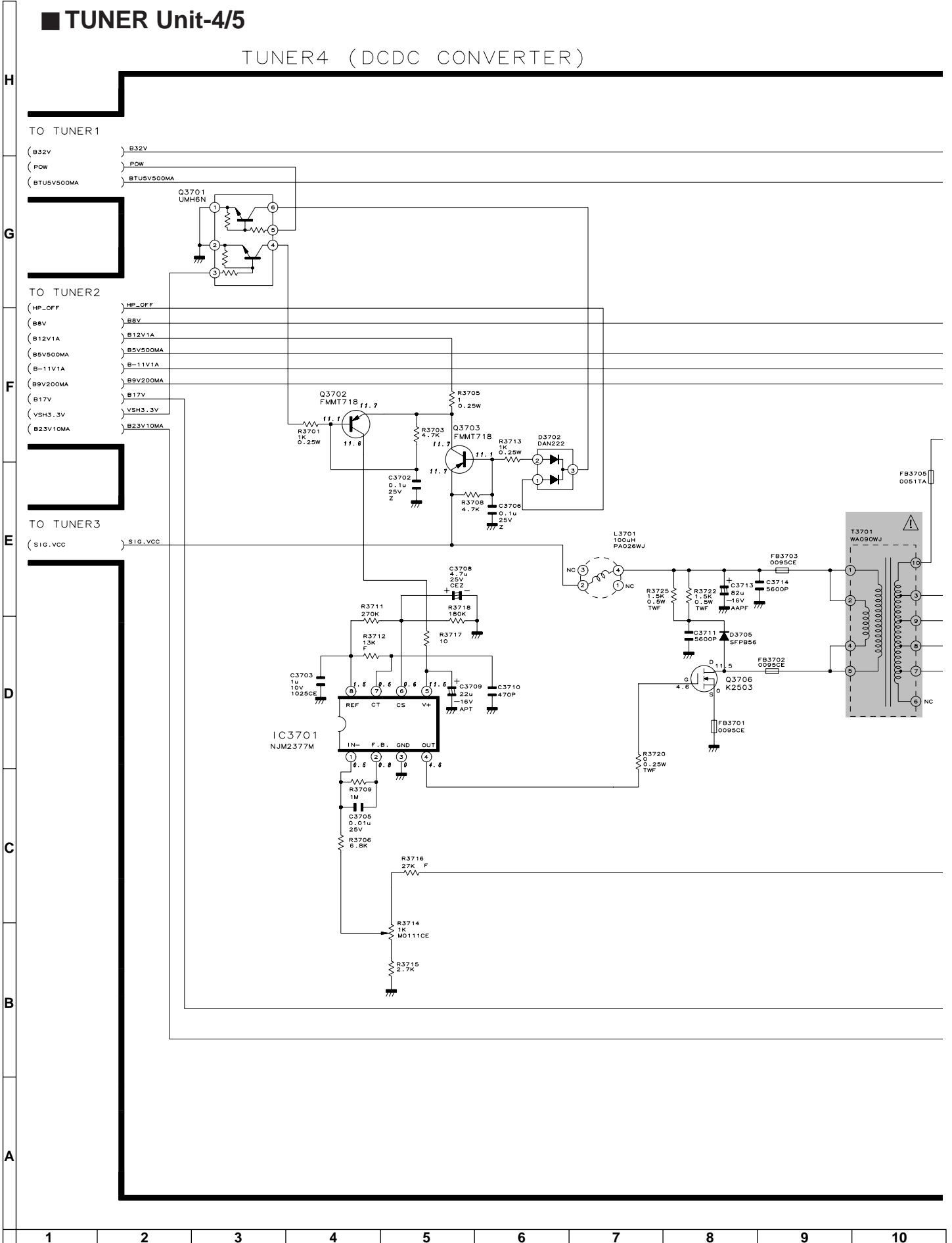




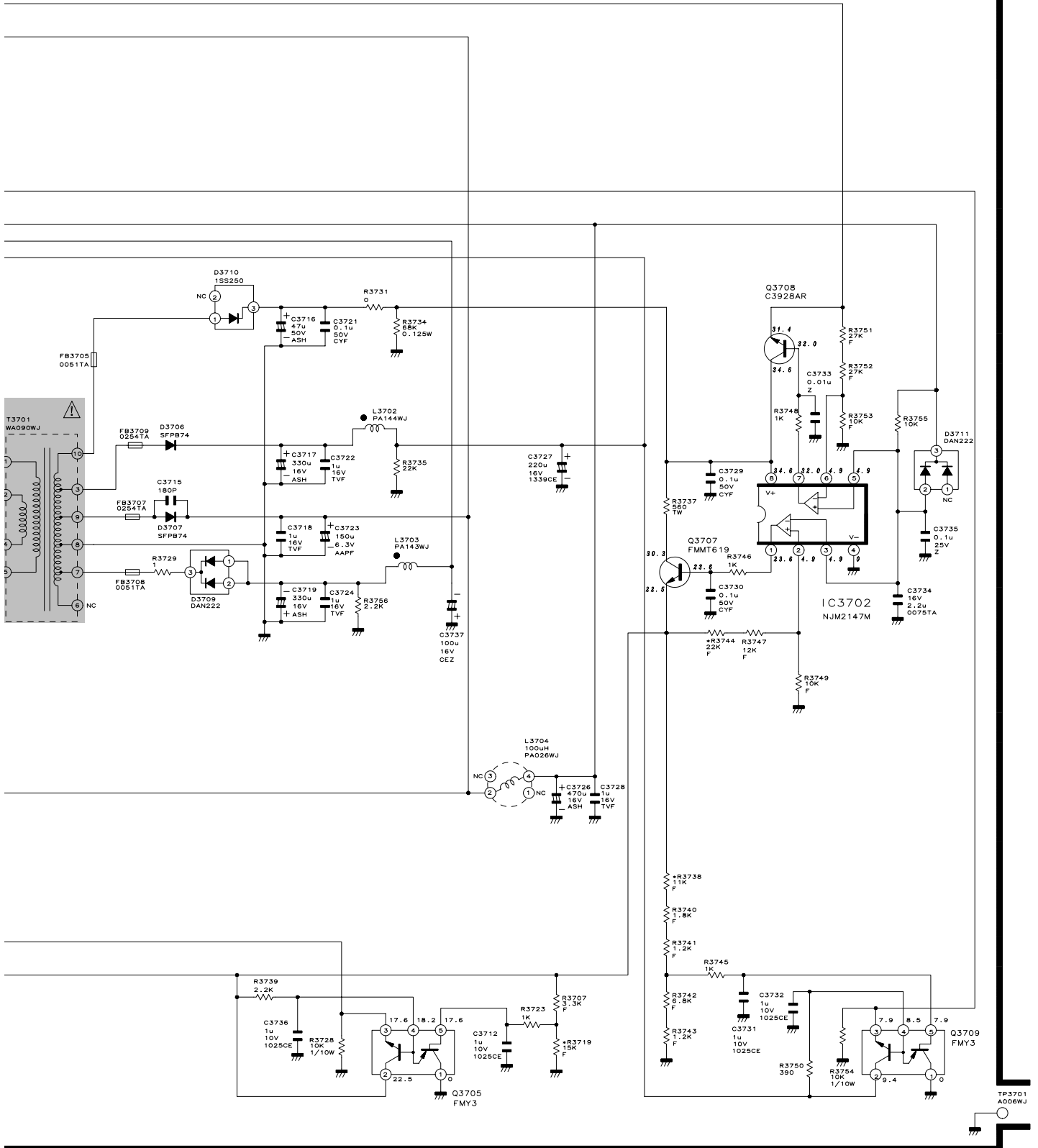


# TUNER Unit-4/5

## TUNER4 (DCDC CONVERTER)



DUNTKB984DE/WE  
(QPWBSB984WJ)

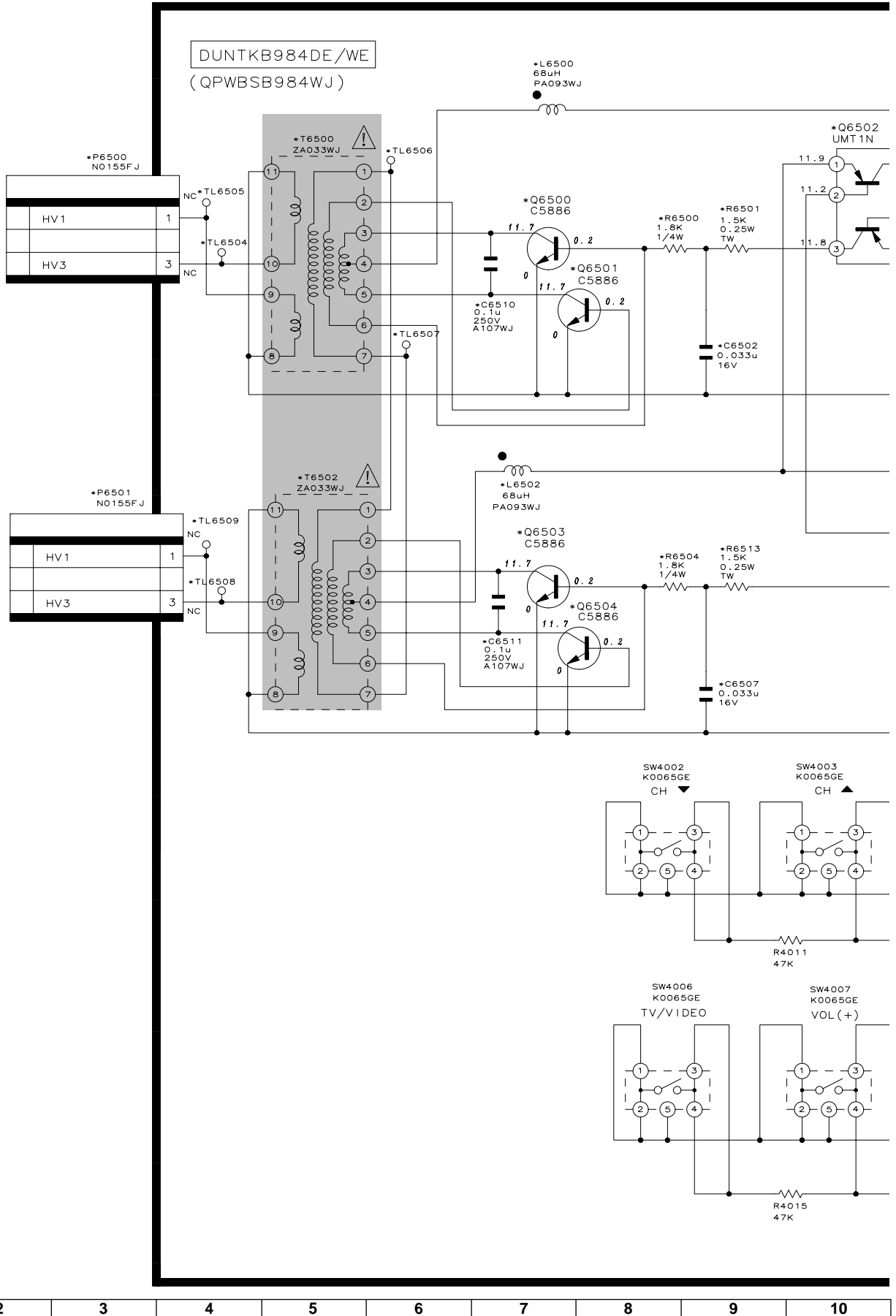


10	11	12	13	14	15	16	17	18	19
----	----	----	----	----	----	----	----	----	----

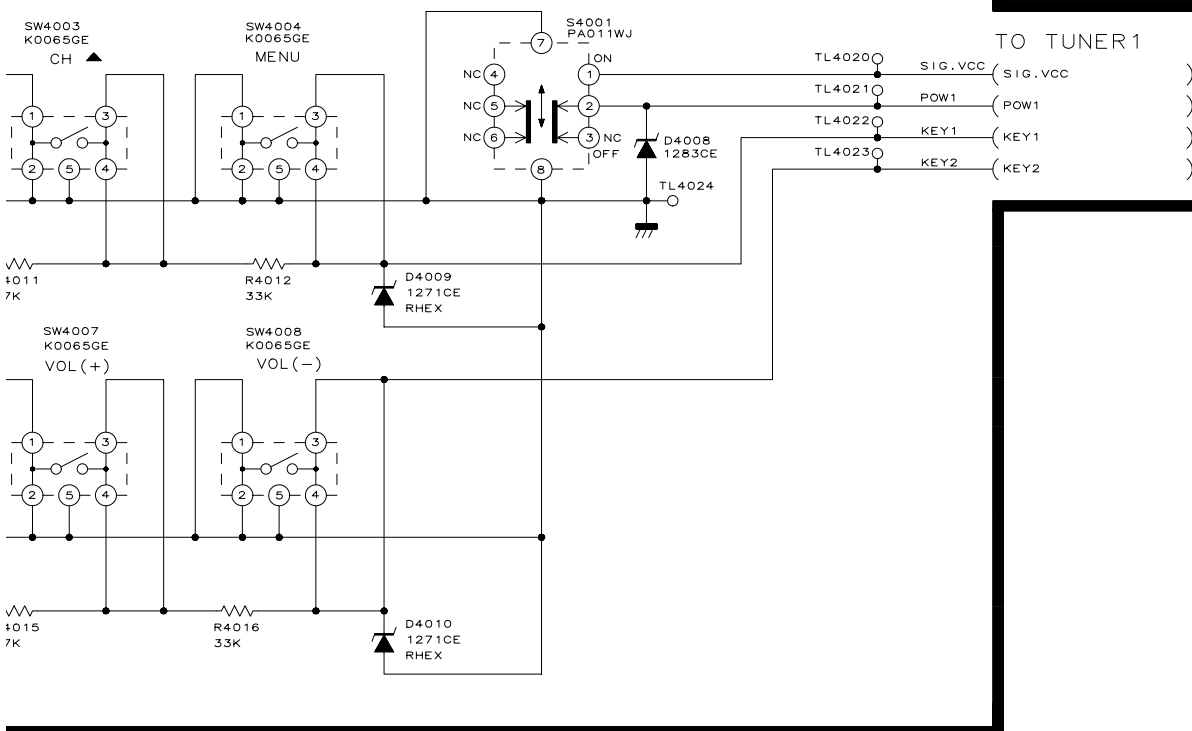
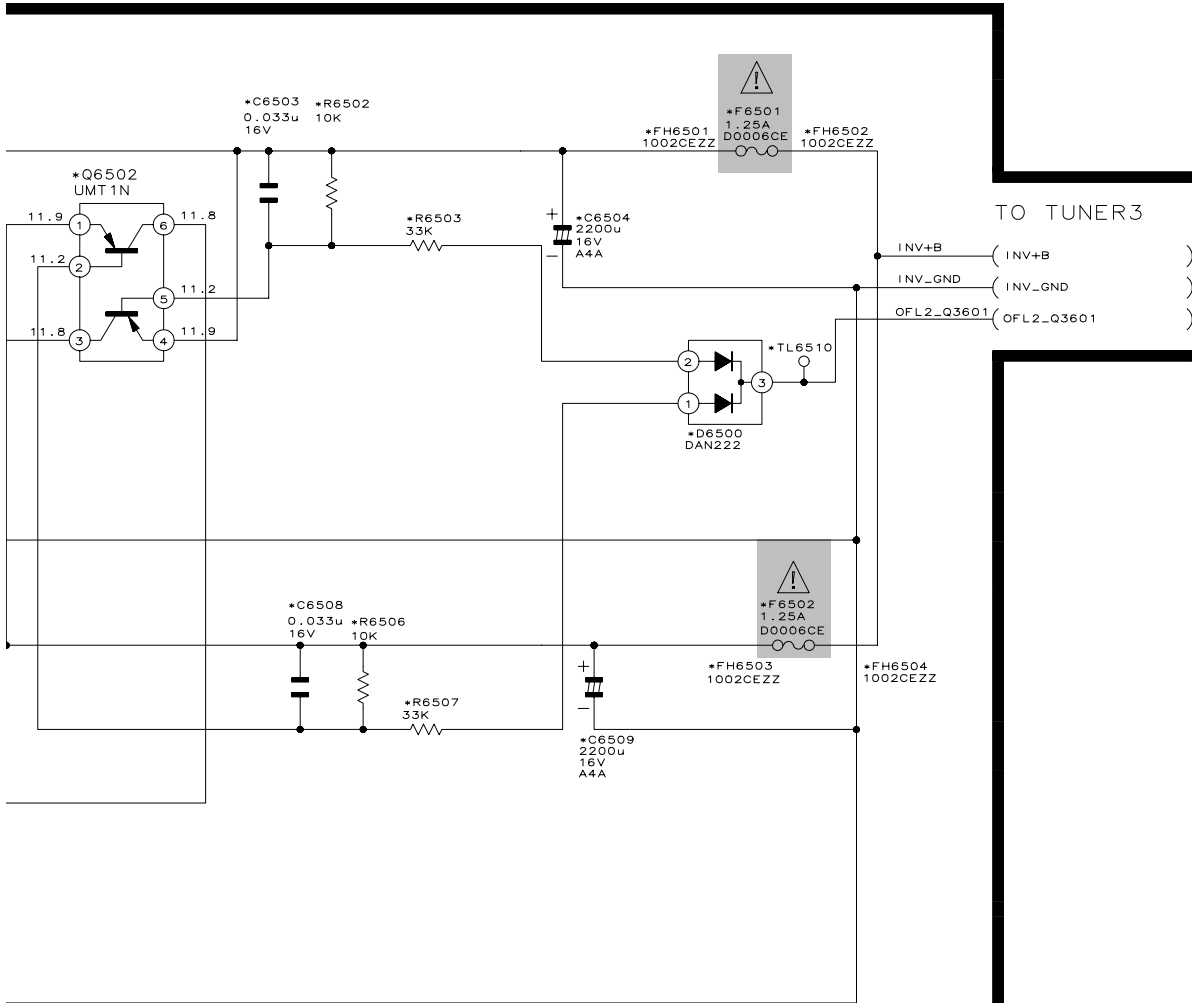
**TUNER Unit-5/5**

TUNER5 ( INVERTER/SW )

H  
G  
F  
E  
D  
C  
B  
A



1 2 3 4 5 6 7 8 9 10



10	11	12	13	14	15	16	17	18	19
----	----	----	----	----	----	----	----	----	----

# PARTS LIST

## PARTS REPLACEMENT

Replacement parts which have these special safety characteristics identified in this manual; electrical components having such features are identified by  $\Delta$  and shaded areas in the Replacement Parts Lists and Schematic Diagrams. The use of a substitute replacement part which does not have the same safety characteristic as the factory recommended replacement parts shown in this service manual may create shock, fire or other hazards.

### "HOW TO ORDER REPLACEMENT PARTS"

To have your order filled promptly and correctly, please furnish the following information.

- |                 |                |
|-----------------|----------------|
| 1. MODEL NUMBER | 2. REF. NO.    |
| 3. PART NO.     | 4. DESCRIPTION |

★ MARK: SPARE PARTS-DELIVERY SECTION

Ref. No.	Part No.	★	Description	Code
----------	----------	---	-------------	------

### PRINTED WIRING BOARD ASSEMBLIES (NOT REPLACEMENT ITEM)

#### LC-13S1E

DUNTKB984WE01	-	TUNER Unit	—
DUNTKB985WE01	-	R/C,LED Unit	—
DUNTKB988FE01	-	MAIN Unit	—

#### LC-15S1E

DUNTKB984WE02	-	TUNER Unit	—
DUNTKB985WE02	-	R/C,LED Unit	—
DUNTKB988FE02	-	MAIN Unit	—

### LCD PANEL

**NOTE: THE PARTS HERE SHOWN ARE SUPPLIED AS AN ASSEMBLY BUT NOT INDEPENDENTLY.**

RLCDDTA023WJZZ	J	13" LCD Panel Unit (LC-13S1E)	CQ
RLCDDTA024WJZZ	J	15" LCD Panel Unit (LC-15S1E)	CT

Ref. No. Part No. ★ Description Code

### DUNTKB984WE01 (LC-13S1E) DUNTKB984WE02 (LC-15S1E) TUNER UNIT

#### TUNER

**NOTE: THE PARTS HERE SHOWN ARE SUPPLIED AS AN ASSEMBLY BUT NOT INDEPENDENTLY.**

TU2201	VTUVT4T5FD532	J	Tuner	BK
--------	---------------	---	-------	----

#### INTEGRATED CIRCUITS

IC350	VHIBH3543F+-1Y	J	BH3543F-E2	AE
IC1900	RH-iX1853BMZZQ	J	MSP3410G-QG-B8	BB
IC1901	VHINJM4560M-1Y	J	NJM4560M	AG
IC1902	VHiNJM4560M-1Y	J	NJM4560M	AG
IC1903	VHINJM4560M-1Y	J	NJM4560M	AG
IC1904	VHiNJM4560M-1Y	J	NJM4560M	AG
IC2201	VHiMM1506XN-1Y	J	MM1506XNRE	AD
IC3301	VHiLA4635A+-1S	J	LA4635A	AM
IC3500	VHINJM4560M-1Y	J	NJM4560M	AG
IC3701	VHiNJM2377M-1Y	J	NJM2377M	AK
IC3702	VHINJM2147M-1Y	J	NJM2147M-TE1	AF

#### TRANSISTORS

Q350	VSDTC144EKA-1Y	J	DTC144EKA	AB
Q351	VSFMMT718/-1Y	J	FMMT718	AE
Q2201	VSUMZ1N////-1Y	J	UMZ1N	AA
Q2202	VSUMZ1N////-1Y	J	UMZ1N	AA
Q2203	VS2SC3928AR-1Y	J	2SC3928AR	AB
Q2204	VS2SC3928AR-1Y	J	2SC3928AR	AB
Q2205	VS2SC3928AR-1Y	J	2SC3928AR	AB
Q2206	VS2SC3928AR-1Y	J	2SC3928AR	AB
Q3300	VS2SC3928AR-1Y	J	2SC3928AR	AB
Q3301	VSDTC314TK/-1Y	J	DTC314TK	AC
Q3302	VSDTA144EE/-1Y	J	DTA144EE	AA
Q3303	VSDTC314TK/-1Y	J	DTC314TK	AC
Q3304	VSDTC314TK/-1Y	J	DTC314TK	AC
Q3601	VSDTC114YE/-1Y	J	DTC114YE	AB
Q3602	VSUM5K1NTR+-1Y	J	UM5K1NTR	AC
Q3603	VSUM5K1NTR+-1Y	J	UM5K1NTR	AC
Q3701	VSUMH6N++++-1Y	S	UMH6N	AB
Q3702	VSFMMT718/-1Y	J	FMMT718	AE
Q3703	VSFMMT718/-1Y	J	FMMT718	AE
Q3705	VSFMY3////-1Y	J	FMY3	AB
Q3706	VS2SK2503//-1Y	J	2SK2503	AE
Q3707	VSFMMT619/-1Y	J	FMMT619	AE
Q3708	VS2SC3928AR-1Y	J	2SC3928AR	AB
Q3709	VSFMY3////-1Y	J	FMY3	AB
Q3901	VS2SA1530AR-1Y	J	2SA1530AR	AB
Q3902	VSUMZ1N////-1Y	J	UMZ1N	AA
Q3903	VSDTC314TK/-1Y	J	DTC314TK	AC
Q3904	VSDTC314TK/-1Y	J	DTC314TK	AC
Q3905	VSDTC314TK/-1Y	J	DTC314TK	AC
Q3906	VSDTC314TK/-1Y	J	DTC314TK	AC
Q6500	VS2SC5886+-1Y	J	2SC5886	AE
Q6501	VS2SC5886+-1Y	J	2SC5886	AE
Q6502	VSUMT1N++++-1Y	S	UMT1N	AB
Q6503	VS2SC5886+-1Y	J	2SC5886	AE
Q6504	VS2SC5886+-1Y	J	2SC5886	AE

#### DIODES

D350	VHDDAN222//-1Y	J	Diode	AA
D351	VHDMA3120WA-1Y	J	Diode	AD
D352	VHDMA3120WA-1Y	J	Diode	AD
D1901	RH-EX1271CEZZY	J	Zener Diode, 12V	AB
D2201	RH-EXA101WJZZY	J	Zener Diode	AA
D2202	RH-EX1264CEZZY	J	Zener Diode	AB
D3300	VHDDAN222//-1Y	J	Diode	AA
D3301	RH-EX1396CEZZY	J	Zener Diode	AB
D3600	VHdiMN10////-1Y	J	Diode	AB
D3601	VHdiMN10////-1Y	J	Diode	AB
D3602	VHDDAN222//-1Y	J	Diode	AA
D3603	VHDDAN222//-1Y	J	Diode	AA
D3605	RH-EX1283CEZZY	J	Zener Diode, 18V	AB
D3702	VHDDAN222//-1Y	J	Diode	AA
D3705	VHDSFPB56//2EY	J	Diode	AC

Ref. No.	Part No.	★	Description	Code	Ref. No.	Part No.	★	Description	Code
<b>DUNTKB984WE01 (LC-13S1E) DUNTKB984WE02 (LC-15S1E) TUNER UNIT (Continued)</b>									
D3706	VHDSFPB74//2EY	J	Diode	AD	C1903	VCCCCY1HH5R0CY	J 5p	50V Ceramic	AA
D3707	VHDSFPB74//2EY	J	Diode	AD	C1904	RC-KZA041WJZZY	J 10	10V Ceramic	AC
D3709	VHDDAN222//-1Y	J	Diode	AA	C1905	RC-KZ1025CEZZY	J 1	10V Ceramic	AB
D3710	VHD1SS250//1EY	J	Diode	AB	C1906	VCKYCY1EF104ZY	J 0.1	25V Ceramic	AA
D3711	VHDDAN222//-1Y	J	Diode	AA	C1907	VCCCCY1HH560JY	J 56p	50V Ceramic	AB
D3901	VHDDAN222//-1Y	J	Diode	AA	C1908	VCCCCY1HH560JY	J 56p	50V Ceramic	AB
D3902	VHDDAN222//-1Y	J	Diode	AA	C1909	VCKYCY1HB102KY	J 1000p	50V Ceramic	AA
D3903	RH-EX1247CEZZY	J	Zener Diode, 5.8V	AB	C1910	RC-KZ1025CEZZY	J 1	10V Ceramic	AB
D3904	RH-EX1247CEZZY	J	Zener Diode, 5.8V	AB	C1911	RC-KZ1025CEZZY	J 1	10V Ceramic	AB
D3905	RH-EX1271CEZZY	J	Zener Diode, 12V	AB	C1912	VCKYCY1HB102KY	J 1000p	50V Ceramic	AA
D3906	RH-EX1271CEZZY	J	Zener Diode, 12V	AB	C1913	VCKYCY1HB102KY	J 1000p	50V Ceramic	AA
D3907	RH-EX1271CEZZY	J	Zener Diode, 12V	AB	C1914	RC-KZ1025CEZZY	J 1	10V Ceramic	AB
D3908	RH-EX1271CEZZY	J	Zener Diode, 12V	AB	C1915	RC-KZ1025CEZZY	J 1	10V Ceramic	AB
D3909	RH-EX1271CEZZY	J	Zener Diode, 12V	AB	C1916	VCKYCY1EF104ZY	J 0.1	25V Ceramic	AA
D3910	RH-EX1271CEZZY	J	Zener Diode, 12V	AB	C1917	RC-EZ0417CEZZY	J 150	16V Electrolytic	AD
D4008	RH-EX1283CEZZY	J	Zener Diode, 18V	AB	C1918	VCKYCY1HB102KY	J 1000p	50V Ceramic	AA
D4009	RH-EX1271CEZZY	J	Zener Diode, 12V	AB	C1919	VCKYCY1EF104ZY	J 0.1	25V Ceramic	AA
D4010	RH-EX1271CEZZY	J	Zener Diode, 12V	AB	C1920	VCKYTV1CF105ZY	J 1	16V Ceramic	AB
D5000	RH-EX1271CEZZY	J	Zener Diode, 12V	AB	C1921	RC-EZA130WJZZY	J 3.3	50V Electrolytic	AB
D5001	RH-EX1271CEZZY	J	Zener Diode, 12V	AB	C1922	VCKYCY1HB102KY	J 1000p	50V Ceramic	AA
D5002	RH-EX1271CEZZY	J	Zener Diode, 12V	AB	C1923	RC-KZA041WJZZY	J 10	10V Ceramic	AC
D6500	VHDDAN222//-1Y	J	Diode	AA	C1924	RC-KZA041WJZZY	J 10	10V Ceramic	AC
<b>PACKAGED CIRCUITS</b>									
X1900	RCRSB0250GEZZ	J	Crystal, 18.432MHZ	AG	C1925	VCKYCY1HB102KY	J 1000p	50V Ceramic	AA
<b>COILS</b>									
L1900	VPCGM101M2R1NY	J	Peaking 100µH	AB	C1926	RC-EZ0417CEZZY	J 150	16V Electrolytic	AD
L1901	VPCGM4R7MR13NY	J	Peaking 4.7µH	AB	C1927	VCKYCY1EF104ZY	J 0.1	25V Ceramic	AA
L2201	VPCGM100MR25NY	J	Peaking 10µH	AB	C1928	VCKYCY1EF104ZY	J 0.1	25V Ceramic	AA
L2202	VP-1M5R6J1R2NY	J	Peaking 5.6µH	AB	C1929	VCEASH1CN157MY	J 150	16V Electrolytic	AC
L2203	VP-1M3R3JR93NY	J	Peaking 3.3µH	AB	C1930	VCKYCY1HB682KY	J 6800p	50V Ceramic	AA
L2204	VP-1M4R7J1R2NY	J	Peaking 4.7µH	AB	C1931	VCKYCY1HB682KY	J 6800p	50V Ceramic	AA
L2205	VP-1M2R7JR85NY	J	Peaking 2.7µH	AB	C1932	VCCCCY1HH101JY	J 100p	50V Ceramic	AA
L2206	VP-1M4R7J1R2NY	J	Peaking 4.7µH	AB	C1933	RC-KZ0044TAZZY	J 4.7	10V Ceramic	AD
L2207	VP-1M100J1R6NY	J	Peaking 10µH	AB	C1934	VCCCCY1HH101JY	J 100p	50V Ceramic	AA
L2208	RCiLPA142WJZZ	J	Coil	AD	C1935	VCKYTV1CF105ZY	J 1	16V Ceramic	AB
L2209	VP-1M100J1R6NY	J	Peaking 10µH	AB	C1936	VCKYTV1CF105ZY	J 1	16V Ceramic	AB
L3301	RCiLFA069WJZZ	J	Coil	AD	C1937	RC-KZ0044TAZZY	J 4.7	10V Ceramic	AD
L3701	RCiLPA026WJZZ	J	Coil	AD	C1938	VCKYCY1EF104ZY	J 0.1	25V Ceramic	AA
L3702	RCiLPA144WJZZY	J	Coil	AD	C1939	VCKYCY1EF104ZY	J 0.1	25V Ceramic	AA
L3703	RCiLPA143WJZZY	J	Coil	AD	C1941	VCKYCY1CB473KY	J 0.047	16V Ceramic	AA
L3704	RCiLPA026WJZZ	J	Coil	AD	C1941 VCKYCY1EB223KY J 0.022 25V Ceramic AA (LC-13S1E)				
L6500	RCiLPA093WJZZ	J	Coil	AF					
L6502	RCiLPA093WJZZ	J	Coil	AF	C1942 RC-KZA041WJZZY J 10 10V Ceramic AC C1943 VCKYCY1CB473KY J 0.047 16V Ceramic AA (LC-13S1E)				
<b>TRANSFORMERS</b>									
△ T3701	RTRNWA090WJZZY	J	Transformer	AH	C1944 VCKYCY1CB473KY J 0.047 16V Ceramic AA (LC-13S1E)				
△ T6500	RTRNZA033WJZZQ	J	Transformer	AQ					
△ T6502	RTRNZA033WJZZQ	J	Transformer	AQ	C1944 VCKYCY1EB223KY J 0.022 25V Ceramic AA (LC-15S1E)				
<b>CONTROL</b>									
R3714	RVR-M0111CEZZY	J	1k(B) +B Adj.	AC	C1945 VCKYCY1CB473KY J 0.047 16V Ceramic AA (LC-13S1E)				
<b>CAPACITORS</b>									
C350	RC-EZA126WJZZY	J 47	16V Electrolytic	AC	C1945 VCKYCY1EB223KY J 0.022 25V Ceramic AA (LC-15S1E)				
C351	RC-EZA124WJZZY	J 10	16V Electrolytic	AB					
C352	VCKYTV1CF105ZY	J 1	16V Ceramic	AB	C1946 VCKYCY1EB223KY J 0.022 25V Ceramic AA C1948 VCKYCY1EB223KY J 0.022 25V Ceramic AA				
C353	VCKYCY1HB682KY	J 6800p	50V Ceramic	AA					
C354	VCKYTV1CF105ZY	J 1	16V Ceramic	AB	C1949 VCKYCY1CB273KY J 0.027 16V Ceramic AB C1950 VCKYCY1CB273KY J 0.027 16V Ceramic AB				
C355	RC-KZ0075TAZZY	J 2.2	16V Ceramic	AC					
C356	VCKYCY1HB682KY	J 6800p	50V Ceramic	AA	C1951 RC-EZA126WJZZY J 47 16V Electrolytic AC C1952 VCKYCY1EB223KY J 0.022 25V Ceramic AA				
C357	RC-EZA126WJZZY	J 47	16V Electrolytic	AC					
C358	RC-KZ0044TAZZY	J 4.7	10V Ceramic	AD	C1953 VCKYCY1EB223KY J 0.022 25V Ceramic AA C1956 VCKYCY1EF104ZY J 0.1 25V Ceramic AA				
C359	RC-KZ1025CEZZY	J 1	10V Ceramic	AB					
C360	VCKYCY1HB222KY	J 2200p	50V Ceramic	AA	C1957 VCKYCY1EF104ZY J 0.1 25V Ceramic AA C1960 VCKYCY1HB222KY J 2200p 50V Ceramic AA (LC-15S1E)				
C361	VCKYCY1HB222KY	J 2200p	50V Ceramic	AA					
C370	RC-KZA043WJZZY	J 10	6.3V Ceramic	AC	C1960 VCKYCY1HB272KY J 2700p 50V Ceramic AA (LC-13S1E)				
C1900	RC-EZ0417CEZZY	J 150	16V Electrolytic	AD					
C1901	VCCCCY1HH560JY	J 56p	50V Ceramic	AB	C1961 VCKYCY1HB222KY J 2200p 50V Ceramic AA (LC-15S1E)				
C1902	VCCCCY1HH5R0CY	J 5p	50V Ceramic	AA					
					C1961 VCKYCY1HB272KY J 2700p 50V Ceramic AA (LC-13S1E)				
					C1963 VCKYCY1HB222KY J 2200p 50V Ceramic AA (LC-15S1E)				
					C1963 VCKYCY1HB272KY J 2700p 50V Ceramic AA (LC-13S1E)				

Ref. No.	Part No.	★	Description	Code	Ref. No.	Part No.	★	Description	Code
<b>DUNTKB984WE01 (LC-13S1E)</b>					<b>DUNTKB984WE02 (LC-15S1E)</b>				
<b>TUNER UNIT (Continued)</b>									
C1964	VCKYCY1CB273KY	J	0.027 16V Ceramic	AB	C3713	VCAAPF1CJ826MY	J	82 16V Electrolytic	AG
C1965	VCKYCY1CB273KY	J	0.027 16V Ceramic	AB	C3714	VCKYCY1HB562KY	J	5600p 50V Ceramic	AA
C1967	VCKYCY1HB222KY	J	2200p 50V Ceramic	AA	C3715	VCCCCY1HH181JY	J	180p 50V Ceramic	AA
			(LC-15S1E)		C3716	VCEASH1HN476MY	J	47 50V Electrolytic	AD
C1967	VCKYCY1HB272KY	J	2700p 50V Ceramic	AA	C3717	VCEASH1CN337MY	J	330 16V Electrolytic	AE
			(LC-13S1E)		C3718	VCKYTV1CF105ZY	J	1 16V Ceramic	AB
C2201	VCKYCY1EF104ZY	J	0.1 25V Ceramic	AA	C3719	VCEASH1CN337MY	J	330 16V Electrolytic	AE
C2202	RC-EZA123WJZZY	J	100 6.3V Electrolytic	AC	C3721	VCKYCY1HF104ZY	J	0.1 50V Ceramic	AA
C2203	VCKYCY1EF104ZY	J	0.1 25V Ceramic	AA	C3722	VCKYTV1CF105ZY	J	1 16V Ceramic	AB
C2204	VCCCCY1HH101JY	J	100p 50V Ceramic	AA	C3723	VCAAPF0JJ157MY	J	150 6.3V Electrolytic	AG
C2205	VCCCCY1HH101JY	J	100p 50V Ceramic	AA	C3724	VCKYTV1CF105ZY	J	1 16V Ceramic	AB
C2206	VCEASH1CN477MY	J	470 16V Electrolytic	AD	C3726	VCEASH1CN477MY	J	470 16V Electrolytic	AD
C2207	VCKYCY1EF104ZY	J	0.1 25V Ceramic	AA	C3727	RC-EZ1339CEZZY	J	220 16V Electrolytic	AD
C2208	VCKYCY1HF103ZY	J	0.01 50V Ceramic	AA	C3728	VCKYTV1CF105ZY	J	1 16V Ceramic	AB
C2209	RC-EZA128WJZZY	J	1 50V Electrolytic	AB	C3729	VCKYCY1HF104ZY	J	0.1 50V Ceramic	AA
C2210	VCKYCY1HB102KY	J	1000p 50V Ceramic	AA	C3730	VCKYCY1HF104ZY	J	0.1 50V Ceramic	AA
C2211	VCCCCY1HH121JY	J	120p 50V Ceramic	AA	C3731	RC-KZ1025CEZZY	J	1 10V Ceramic	AB
C2212	VCCCCY1HH820JY	J	82p 50V Ceramic	AA	C3732	RC-KZ1025CEZZY	J	1 10V Ceramic	AB
C2213	VCCCCY1HH101JY	J	100p 50V Ceramic	AA	C3733	VCKYCY1HF103ZY	J	0.01 50V Ceramic	AA
C2214	VCCCCY1HH180JY	J	18p 50V Ceramic	AA	C3734	RC-KZ0075TAZZY	J	2.2 16V Ceramic	AC
C2215	VCCCCY1HH121JY	J	120p 50V Ceramic	AA	C3735	VCKYCY1EF104ZY	J	0.1 25V Ceramic	AA
C2216	VCKYCY1HB102KY	J	1000p 50V Ceramic	AA	C3736	RC-KZ1025CEZZY	J	1 10V Ceramic	AB
C2217	VCKYCY1EF104ZY	J	0.1 25V Ceramic	AA	C3737	RC-EZA127WJZZY	J	100 16V Electrolytic	AC
C2218	VCKYCY1EF104ZY	J	0.1 25V Ceramic	AA	C3901	RC-EZA123WJZZY	J	100 6.3V Electrolytic	AC
C2219	VCKYCY1HB102KY	J	1000p 50V Ceramic	AA	C3902	RC-EZA126WJZZY	J	47 16V Electrolytic	AC
C2220	RC-KZA041WJZZY	J	10 10V Ceramic	AC	C3903	RC-KZA041WJZZY	J	10 10V Ceramic	AC
C2221	VCKYCY1EF104ZY	J	0.1 25V Ceramic	AA	C3904	RC-KZA041WJZZY	J	10 10V Ceramic	AC
C2222	VCEASH1CN477MY	J	470 16V Electrolytic	AD	C3905	RC-EZA126WJZZY	J	47 16V Electrolytic	AC
C2223	VCKYCY1EF104ZY	J	0.1 25V Ceramic	AA	C3906	VCCCCY1HH331JY	J	330p 50V Ceramic	AA
C2224	RC-EZ1351CEZZ	J	3300 6.3V Electrolytic	AF	C3907	RC-KZA041WJZZY	J	10 10V Ceramic	AC
C2225	VCKYCY1EF104ZY	J	0.1 25V Ceramic	AA	C3908	RC-KZA041WJZZY	J	10 10V Ceramic	AC
C3300	RC-EZ1274CEZZ	J	1000 16V Electrolytic	AD	C3909	VCCCCY1HH221JY	J	220p 50V Ceramic	AA
C3301	RC-EZ1274CEZZ	J	1000 16V Electrolytic	AD	C3910	VCCCCY1HH331JY	J	330p 50V Ceramic	AA
C3302	VCKYTV1CF105ZY	J	1 16V Ceramic	AB	C3911	VCCCCY1HH221JY	J	220p 50V Ceramic	AA
C3303	RC-EZA124WJZZY	J	10 16V Electrolytic	AB	C3912	VCKYCY1EF104ZY	J	0.1 25V Ceramic	AA
C3305	RC-EZA127WJZZY	J	100 16V Electrolytic	AC	C3913	VCCCCY1HH101JY	J	100p 50V Ceramic	AA
C3306	RC-KZA041WJZZY	J	10 10V Ceramic	AC	C3914	VCCCCY1HH101JY	J	100p 50V Ceramic	AA
C3307	VCKYCY1HB102KY	J	1000p 50V Ceramic	AA	C3915	VCCCCY1HH101JY	J	100p 50V Ceramic	AA
C3308	RC-EZA128WJZZY	J	1 50V Electrolytic	AB	C3916	VCCCCY1HH101JY	J	100p 50V Ceramic	AA
C3309	RC-EZA128WJZZY	J	1 50V Electrolytic	AB	C3917	VCCCCY1HH101JY	J	100p 50V Ceramic	AA
C3310	VCKYCY1HB102KY	J	1000p 50V Ceramic	AA	C3918	VCCCCY1HH101JY	J	100p 50V Ceramic	AA
C3312	RC-KZA041WJZZY	J	10 10V Ceramic	AC	C5000	VCKYCY1EF104ZY	J	0.1 25V Ceramic	AA
C3313	RC-EZA129WJZZY	J	2.2 50V Electrolytic	AB	C5001	VCCCCY1HH101JY	J	100p 50V Ceramic	AA
C3314	RC-EZA129WJZZY	J	2.2 50V Electrolytic	AB	C5002	VCCCCY1HH101JY	J	100p 50V Ceramic	AA
C3315	VCEASH1CN337MY	J	330 16V Electrolytic	AE	C6502	VCKYCY1CB333KY	J	0.033 16V Ceramic	AA
C3500	VCKYCY1EB223KY	J	0.022 25V Ceramic	AA	C6503	VCKYCY1CB333KY	J	0.033 16V Ceramic	AA
C3501	VCKYCY1EB223KY	J	0.022 25V Ceramic	AA	C6504	VCEA4A1CN228M	J	2200 16V Electrolytic	AF
C3502	VCCCCY1HH101JY	J	100p 50V Ceramic	AA	C6507	VCKYCY1CB333KY	J	0.033 16V Ceramic	AA
C3503	RC-KZ0044TAZZY	J	4.7 10V Ceramic	AD	C6508	VCKYCY1CB333KY	J	0.033 16V Ceramic	AA
C3504	VCCCCY1HH101JY	J	100p 50V Ceramic	AA	C6509	VCEA4A1CN228M	J	2200 16V Electrolytic	AF
C3505	VCKYCY1EF104ZY	J	0.1 25V Ceramic	AA	C6510	RC-FZA107WJZZ	J	0.1 250V Film	AD
C3506	RC-EZ0417CEZZY	J	150 16V Electrolytic	AD	C6511	RC-FZA107WJZZ	J	0.1 250V Film	AD
C3507	RC-KZ0044TAZZY	J	4.7 10V Ceramic	AD	C6513	VCKYCY1HB332KY	J	3300p 50V Ceramic	AA
C3508	RC-KZA041WJZZY	J	10 10V Ceramic	AC	<b>RESISTORS</b>				
C3509	VCKYTV1CF105ZY	J	1 16V Ceramic	AB	R352	VRS-CY1JF472JY	J	4.7k 1/16W Metal Oxide	AA
C3510	VCKYTV1CF105ZY	J	1 16V Ceramic	AB	R354	VRS-CY1JF102JY	J	1k 1/16W Metal Oxide	AA
C3511	VCKYCY1HB682KY	J	6800p 50V Ceramic	AA	R356	VRS-CY1JF123JY	J	12k 1/16W Metal Oxide	AA
C3512	VCKYCY1HB682KY	J	6800p 50V Ceramic	AA	R357	VRS-CY1JF000JY	J	0 1/16W Metal Oxide	AA
C3600	RC-KZ0072TAZZY	J	1 25V Ceramic	AC	R358	VRS-CY1JF562JY	J	5.6k 1/16W Metal Oxide	AA
C3601	RC-KZ0072TAZZY	J	1 25V Ceramic	AC	R359	VRS-CY1JF102JY	J	1k 1/16W Metal Oxide	AA
C3602	RC-KZ0072TAZZY	J	1 25V Ceramic	AC	R360	VRS-CJ1JF392JY	S	3.9k 1/16W Metal Oxide	AA
C3603	RC-KZ0072TAZZY	J	1 25V Ceramic	AC	R361	VRS-CY1JF000JY	J	0 1/16W Metal Oxide	AA
C3702	VCKYCY1EF104ZY	J	0.1 25V Ceramic	AA	R362	VRS-TW2HF220JY	J	22 1/2W Metal Oxide	AA
C3703	RC-KZ1025CEZZY	J	1 10V Ceramic	AB	R363	VRS-TW2HF220JY	J	22 1/2W Metal Oxide	AA
C3705	VCKYCY1EB103KY	J	0.01 25V Ceramic	AA	R364	VRS-CY1JF000JY	J	0 1/16W Metal Oxide	AA
C3706	VCKYCY1EF104ZY	J	0.1 25V Ceramic	AA	R1900	VRS-CY1JF105JY	J	1M 1/16W Metal Oxide	AA
C3708	RC-EZA140WJZZY	J	4.7 25V Electrolytic	AB	R1901	VRS-CJ1JF472JY	J	4.7k 1/16W Metal Oxide	AA
C3709	VCEAPT1CN226MY	J	22 16V Electrolytic	AC	R1902	VRS-CJ1JF101JY	J	100 1/16W Metal Oxide	AA
C3710	VCCCCY1HH471JY	J	470p 50V Ceramic	AA	R1903	VRS-CJ1JF473JY	S	47k 1/16W Metal Oxide	AA
C3711	VCKYCY1HB562KY	J	5600p 50V Ceramic	AA	R1904	VRS-CY1JF101JY	J	100 1/16W Metal Oxide	AA
C3712	RC-KZ1025CEZZY	J	1 10V Ceramic	AB	R1905	VRS-CJ1JF102JY	J	1k 1/16W Metal Oxide	AA
					R1906	VRS-CJ1JF471JY	S	470 1/16W Metal Oxide	AA
					R1907	VRS-CY1JF122JY	J	1.2k 1/16W Metal Oxide	AA
					R1908	VRS-CY1JF562JY	J	5.6k 1/16W Metal Oxide	AA

Ref. No.	Part No.	★	Description	Code	Ref. No.	Part No.	★	Description	Code
<b>DUNTKB984WE01 (LC-13S1E)</b>					<b>DUNTKB984WE02 (LC-15S1E)</b>				
<b>TUNER UNIT (Continued)</b>									
R1909	VRS-CY1JF122JY	J	1.2k 1/16W Metal Oxide	AA	R2204	VRS-CY1JF102FY	J	1k 1/16W Metal Oxide	AA
R1910	VRS-CJ1JF104JY	S	100k 1/16W Metal Oxide	AA	R2205	VRS-CY1JF561FY	J	560 1/16W Metal Oxide	AA
R1912	VRS-CY1JF562JY	J	5.6k 1/16W Metal Oxide	AA	R2206	VRS-CY1JF102FY	J	1k 1/16W Metal Oxide	AA
R1913	VRS-CY1JF223JY	J	22k 1/16W Metal Oxide	AA	R2207	VRS-CY1JF102JY	J	1k 1/16W Metal Oxide	AA
R1915	VRS-CJ1JF473JY	S	47k 1/16W Metal Oxide	AA	R2209	VRS-CY1JF101JY	J	100 1/16W Metal Oxide	AA
R1917	VRS-CY1JF154FY	J	150k 1/16W Metal Oxide	AA	R2210	VRS-CY1JF101JY	J	100 1/16W Metal Oxide	AA
			(LC-15S1E)		R2211	VRS-TW2ED000JY	J	0 1/4W Metal Oxide	AB
R1917	VRS-CY1JF683FY	J	68k 1/16W Metal Oxide	AA	R2212	VRS-CY1JF102JY	J	1k 1/16W Metal Oxide	AA
			(LC-13S1E)		R2213	VRS-CY1JF102JY	J	1k 1/16W Metal Oxide	AA
R1919	VRS-CY1JF154FY	J	150k 1/16W Metal Oxide	AA	R2214	VRS-TW2HF1R0JY	J	1 1/2W Metal Oxide	AA
			(LC-15S1E)		R2215	VRS-CY1JF101JY	J	100 1/16W Metal Oxide	AA
R1919	VRS-CY1JF683FY	J	68k 1/16W Metal Oxide	AA	R2216	VRS-CY1JF561JY	J	560 1/16W Metal Oxide	AA
			(LC-13S1E)		R2217	VRS-CY1JF101JY	J	100 1/16W Metal Oxide	AA
R1920	VRS-CY1JF223JY	J	22k 1/16W Metal Oxide	AA	R2218	VRS-CY1JF103JY	J	10k 1/16W Metal Oxide	AA
R1922	VRS-CY1JF123FY	J	12k 1/16W Metal Oxide	AA	R2219	VRS-CY1JF222JY	J	2.2k 1/16W Metal Oxide	AA
			(LC-15S1E)		R2220	VRS-CY1JF332JY	J	3.3k 1/16W Metal Oxide	AA
R1922	VRS-CY1JF153FY	J	15k 1/16W Metal Oxide	AA	R2221	VRS-CY1JF471JY	J	470 1/16W Metal Oxide	AA
			(LC-13S1E)		R2222	VRS-TW2HF471JY	J	470 1/2W Metal Oxide	AA
R1923	VRS-CY1JF123FY	J	12k 1/16W Metal Oxide	AA	R2223	VRS-CY1JF332JY	J	3.3k 1/16W Metal Oxide	AA
			(LC-15S1E)		R2224	VRS-CY1JF152JY	J	1.5k 1/16W Metal Oxide	AA
R1923	VRS-CY1JF153FY	J	15k 1/16W Metal Oxide	AA	R2225	VRS-CY1JF221JY	J	220 1/16W Metal Oxide	AA
			(LC-13S1E)		R2226	VRS-CY1JF222JY	J	2.2k 1/16W Metal Oxide	AA
R1926	VRS-CY1JF153JY	J	15k 1/16W Metal Oxide	AA	R2227	VRS-CY1JF102JY	J	1k 1/16W Metal Oxide	AA
R1927	VRS-CY1JF153FY	J	15k 1/16W Metal Oxide	AA	R2228	VRS-CY1JF222JY	J	2.2k 1/16W Metal Oxide	AA
R1928	VRS-CY1JF152JY	J	1.5k 1/16W Metal Oxide	AA	R2229	VRS-CY1JF221JY	J	220 1/16W Metal Oxide	AA
R1929	VRS-CY1JF152JY	J	1.5k 1/16W Metal Oxide	AA	R3300	VRS-TW2HF000JY	J	0 1/2W Metal Oxide	AA
R1930	VRS-CY1JF153FY	J	15k 1/16W Metal Oxide	AA	R3301	VRS-CY1JF122JY	J	1.2k 1/16W Metal Oxide	AA
R1932	VRS-CY1JF103FY	J	10k 1/16W Metal Oxide	AA	R3302	VRS-TW2HF000JY	J	0 1/2W Metal Oxide	AA
R1933	VRS-CY1JF392FY	J	3.9k 1/16W Metal Oxide	AA	R3304	VRS-CY1JF153JY	J	15k 1/16W Metal Oxide	AA
R1934	VRS-CY1JF103FY	J	10k 1/16W Metal Oxide	AA	R3305	VRS-CY1JF562JY	J	5.6k 1/16W Metal Oxide	AA
R1935	VRS-CY1JF392FY	J	3.9k 1/16W Metal Oxide	AA	R3306	VRS-CY1JF223JY	J	22k 1/16W Metal Oxide	AA
R1936	VRS-CY1JF153FY	J	15k 1/16W Metal Oxide	AA	R3307	VRS-CY1JF682JY	J	6.8k 1/16W Metal Oxide	AA
R1937	VRS-CY1JF223JY	J	22k 1/16W Metal Oxide	AA	R3309	VRS-CY1JF101JY	J	100 1/16W Metal Oxide	AA
R1938	VRS-CY1JF153FY	J	15k 1/16W Metal Oxide	AA	R3310	VRS-TW2HF000JY	J	0 1/2W Metal Oxide	AA
R1939	VRS-CY1JF000JY	J	0 1/16W Metal Oxide	AA	R3311	VRS-CJ1JF222JY	J	2.2k 1/16W Metal Oxide	AA
R1942	VRS-CY1JF000JY	J	0 1/16W Metal Oxide	AA				(LC-15S1E)	
R1943	VRS-CY1JF000JY	J	0 1/16W Metal Oxide	AA	R3311	VRS-CJ1JF332JY	J	3.3k 1/16W Metal Oxide	AA
R1947	VRS-CY1JF000JY	J	0 1/16W Metal Oxide	AA				(LC-13S1E)	
R1948	VRS-CY1JF122JY	J	1.2k 1/16W Metal Oxide	AA	R3312	VRS-CJ1JF182JY	J	1.8k 1/16W Metal Oxide	AA
			(LC-15S1E)					(LC-15S1E)	
R1948	VRS-CY1JF152JY	J	1.5k 1/16W Metal Oxide	AA	R3312	VRS-CJ1JF222JY	J	2.2k 1/16W Metal Oxide	AA
			(LC-13S1E)					(LC-13S1E)	
R1949	VRS-CY1JF123FY	J	12k 1/16W Metal Oxide	AA	R3313	VRS-CY1JF103JY	J	10k 1/16W Metal Oxide	AA
R1950	VRS-CY1JF123FY	J	12k 1/16W Metal Oxide	AA	R3500	VRS-CJ1JF471JY	S	470 1/16W Metal Oxide	AA
R1951	VRS-CY1JF123FY	J	12k 1/16W Metal Oxide	AA	R3501	VRS-CJ1JF102JY	J	1k 1/16W Metal Oxide	AA
R1952	VRS-CY1JF153FY	J	15k 1/16W Metal Oxide	AA	R3502	VRS-CY1JF122JY	J	1.2k 1/16W Metal Oxide	AA
			(LC-15S1E)		R3503	VRS-CY1JF682JY	J	6.8k 1/16W Metal Oxide	AA
R1952	VRS-CY1JF472FY	J	4.7k 1/16W Metal Oxide	AA	R3504	VRS-CY1JF122JY	J	1.2k 1/16W Metal Oxide	AA
			(LC-13S1E)		R3505	VRS-CY1JF473JY	J	47k 1/16W Metal Oxide	AA
R1953	VRS-CY1JF122JY	J	1.2k 1/16W Metal Oxide	AA	R3506	VRS-CY1JF153JY	J	15k 1/16W Metal Oxide	AA
			(LC-15S1E)		R3507	VRS-CY1JF682JY	J	6.8k 1/16W Metal Oxide	AA
R1953	VRS-CY1JF152JY	J	1.5k 1/16W Metal Oxide	AA	R3508	VRS-CY1JF223JY	J	22k 1/16W Metal Oxide	AA
			(LC-13S1E)		R3509	VRS-CY1JF473JY	J	47k 1/16W Metal Oxide	AA
R1955	VRS-CY1JF153FY	J	15k 1/16W Metal Oxide	AA	R3510	VRS-CJ1JF102JY	J	1k 1/16W Metal Oxide	AA
			(LC-15S1E)		R3600	VRS-CB1JF222JY	J	2.2k 1/16W Metal Oxide	AC
R1955	VRS-CY1JF472FY	J	4.7k 1/16W Metal Oxide	AA	R3601	VRS-CY1JF000JY	J	0 1/16W Metal Oxide	AA
			(LC-13S1E)		R3602	VRS-CB1JF824JY	J	820k 1/16W Metal Oxide	AC
R1957	VRS-CY1JF123FY	J	12k 1/16W Metal Oxide	AA	R3603	VRS-CB1JF562JY	J	5.6k 1/16W Metal Oxide	AC
			(LC-13S1E)		R3604	VRS-CY1JF563JY	J	56k 1/16W Metal Oxide	AA
R1957	VRS-CY1JF822FY	J	8.2k 1/16W Metal Oxide	AA	R3701	VRS-TW2ED102JY	J	1k 1/4W Metal Oxide	AA
			(LC-15S1E)		R3703	VRS-CY1JF472JY	J	4.7k 1/16W Metal Oxide	AA
R1959	VRS-CY1JF123FY	J	12k 1/16W Metal Oxide	AA	R3705	VRS-TW2ED1R0JY	J	1 1/4W Metal Oxide	AB
			(LC-13S1E)		R3706	VRS-CY1JF682JY	J	6.8k 1/16W Metal Oxide	AA
R1959	VRS-CY1JF822FY	J	8.2k 1/16W Metal Oxide	AA	R3707	VRS-CY1JF332FY	J	3.3k 1/16W Metal Oxide	AA
			(LC-15S1E)		R3708	VRS-CY1JF472JY	J	4.7k 1/16W Metal Oxide	AA
R1960	VRS-CY1JF123FY	J	12k 1/16W Metal Oxide	AA	R3709	VRS-CY1JF105JY	J	1M 1/16W Metal Oxide	AA
R1961	VRS-CY1JF000JY	J	0 1/16W Metal Oxide	AA	R3711	VRS-CY1JF274JY	J	270k 1/16W Metal Oxide	AA
R1962	VRS-CY1JF221JY	J	220 1/16W Metal Oxide	AA	R3712	VRS-CY1JF133FY	J	13k 1/16W Metal Oxide	AA
R2201	VRS-CY1JF152JY	J	1.5k 1/16W Metal Oxide	AA	R3713	VRS-TW2ED102JY	J	1k 1/4W Metal Oxide	AA
R2202	VRS-CY1JF561FY	J	560 1/16W Metal Oxide	AA	R3715	VRS-CY1JF272JY	J	2.7k 1/16W Metal Oxide	AA
R2203	VRS-CY1JF152JY	J	1.5k 1/16W Metal Oxide	AA	R3716	VRS-CY1JF273FY	J	27k 1/16W Metal Oxide	AA
					R3717	VRS-CY1JF100JY	J	10 1/16W Metal Oxide	AA
					R3718	VRS-CY1JF184JY	J	180k 1/16W Metal Oxide	AA
					R3719	VRS-CY1JF153FY	J	15k 1/16W Metal Oxide	AA
					R3720	VRS-TW2HF000JY	J	0 1/2W Metal Oxide	AA



Ref. No.	Part No.	★	Description	Code	Ref. No.	Part No.	★	Description	Code
<b>DUNTKB984WE01 (LC-13S1E)</b>					<b>DUNTKB984WE02 (LC-15S1E)</b>				
<b>TUNER UNIT (Continued)</b>									
R3722	VRS-TW2HF152JY	J	1.5k 1/2W Metal Oxide	AA	R5008	VRS-CY1JF101JY	J	100 1/16W Metal Oxide	AA
R3723	VRS-CY1JF102JY	J	1k 1/16W Metal Oxide	AA	R5009	VRS-CY1JF101JY	J	100 1/16W Metal Oxide	AA
R3725	VRS-TW2HF152JY	J	1.5k 1/2W Metal Oxide	AA	R5010	VRS-CY1JF101JY	J	100 1/16W Metal Oxide	AA
R3728	VRS-TV1JD103JY	J	10k 1/10W Metal Oxide	AA	R5012	VRS-CY1JF101JY	J	100 1/16W Metal Oxide	AA
R3729	VRS-CY1JF1R0JY	J	1 1/16W Metal Oxide	AA	R5013	VRS-CY1JF000JY	J	0 1/16W Metal Oxide	AA
R3731	VRS-CY1JF000JY	J	0 1/16W Metal Oxide	AA	R6500	VRS-TW2ED182JY	J	1.8k 1/4W Metal Oxide	AA
R3734	VRS-TQ2BD683JY	J	68k 1/8W Metal Oxide	AA	R6501	VRS-TW2ED152JY	J	1.5k 1/4W Metal Oxide	AB
R3735	VRS-CY1JF223JY	J	22k 1/16W Metal Oxide	AA	R6502	VRS-CY1JF103JY	J	10k 1/16W Metal Oxide	AA
R3737	VRS-TW2ED561JY	J	560 1/4W Metal Oxide	AA	R6503	VRS-CY1JF333JY	J	33k 1/16W Metal Oxide	AA
R3738	VRS-CY1JF113FY	J	11k 1/16W Metal Oxide	AA	R6504	VRS-TW2ED182JY	J	1.8k 1/4W Metal Oxide	AA
R3739	VRS-CY1JF222JY	J	2.2k 1/16W Metal Oxide	AA	R6506	VRS-CY1JF103JY	J	10k 1/16W Metal Oxide	AA
R3740	VRS-CY1JF182FY	J	1.8k 1/16W Metal Oxide	AA	R6507	VRS-CY1JF333JY	J	33k 1/16W Metal Oxide	AA
R3741	VRS-CY1JF122FY	J	1.2k 1/16W Metal Oxide	AA	R6513	VRS-TW2ED152JY	J	1.5k 1/4W Metal Oxide	AB
R3742	VRS-CY1JF682FY	J	6.8k 1/16W Metal Oxide	AA	R6518	VRS-CY1JF153JY	J	15k 1/16W Metal Oxide	AA
R3743	VRS-CY1JF122FY	J	1.2k 1/16W Metal Oxide	AA	<b>SWITCHES</b>				
R3744	VRS-CY1JF223FY	J	22k 1/16W Metal Oxide	AA	S4001	QSW-PA011WJZZ	J	MAIN POWER	AF
R3745	VRS-CY1JF102JY	J	1k 1/16W Metal Oxide	AA	SW4002	QSW-K0065GEZZY	J	CH(✓)	AD
R3746	VRS-CY1JF102JY	J	1k 1/16W Metal Oxide	AA	SW4003	QSW-K0065GEZZY	J	CH(∧)	AD
R3747	VRS-CY1JF123FY	J	12k 1/16W Metal Oxide	AA	SW4004	QSW-K0065GEZZY	J	MENU	AD
R3748	VRS-CY1JF102JY	J	1k 1/16W Metal Oxide	AA	SW4006	QSW-K0065GEZZY	J	TV/VIDEO	AD
R3749	VRS-CY1JF103FY	J	10k 1/16W Metal Oxide	AA	SW4007	QSW-K0065GEZZY	J	VOL(+)	AD
R3750	VRS-CY1JF391JY	J	390 1/16W Metal Oxide	AA	SW4008	QSW-K0065GEZZY	J	VOL(-)	AD
R3751	VRS-CY1JF273FY	J	27k 1/16W Metal Oxide	AA	<b>MISCELLANEOUS PARTS</b>				
R3752	VRS-CY1JF273FY	J	27k 1/16W Metal Oxide	AA	△ F3301	QFS-D0008CEZZ	J	Fuse, 2A/250V	AE
R3753	VRS-CY1JF103FY	J	10k 1/16W Metal Oxide	AA	△ F3302	QFS-ZA002WJZZ	J	Fuse, 1.25A/250V	AD
R3754	VRS-TV1JD103JY	J	10k 1/16W Metal Oxide	AA	△ F6501	QFS-D0006CEZZ	J	Fuse, 1.25A/250V	AF
R3755	VRS-CY1JF103JY	J	10k 1/16W Metal Oxide	AA	△ F6502	QFS-D0006CEZZ	J	Fuse, 1.25A/250V	AF
R3756	VRS-CY1JF222JY	J	2.2k 1/16W Metal Oxide	AA	FH3301	QFSDH1002CEZZ	J	Fuse Holder	AA
R3902	VRS-CY1JF104JY	J	100k 1/16W Metal Oxide	AA	FH3302	QFSDH1002CEZZ	J	Fuse Holder	AA
R3903	VRS-CY1JF000JY	J	0 1/16W Metal Oxide	AA	FH6501	QFSDH1002CEZZ	J	Fuse Holder	AA
R3904	VRS-CY1JF103JY	J	10k 1/16W Metal Oxide	AA	FH6502	QFSDH1002CEZZ	J	Fuse Holder	AA
R3905	VRS-CY1JF472JY	J	4.7k 1/16W Metal Oxide	AA	FH6503	QFSDH1002CEZZ	J	Fuse Holder	AA
R3906	VRS-CY1JF104JY	J	100k 1/16W Metal Oxide	AA	FH6504	QFSDH1002CEZZ	J	Fuse Holder	AA
R3907	VRS-CY1JF103JY	J	10k 1/16W Metal Oxide	AA	FB350	RBLN-0062TAZZY	J	Ferrite Bead	AB
R3908	VRS-CY1JF102JY	J	1k 1/16W Metal Oxide	AA	FB351	RBLN-0062TAZZY	J	Ferrite Bead	AB
R3909	VRS-CJ1JF271JY	S	270 1/16W Metal Oxide	AA	FB352	RBLN-0062TAZZY	J	Ferrite Bead	AB
R3910	VRS-CJ1JF104JY	S	100k 1/16W Metal Oxide	AA	FB3300	RBLN-0254TAZZY	J	Ferrite Bead	AB
R3911	VRS-CY1JF823JY	J	82k 1/16W Metal Oxide	AA	FB3301	RBLN-0254TAZZY	J	Ferrite Bead	AB
R3912	VRS-CJ1JF104JY	S	100k 1/16W Metal Oxide	AA	FB3302	RBLN-0254TAZZY	J	Ferrite Bead	AB
R3913	VRS-CJ1JF271JY	S	270 1/16W Metal Oxide	AA	FB3303	RBLN-0254TAZZY	J	Ferrite Bead	AB
R3914	VRS-CJ1JF101JY	J	100 1/16W Metal Oxide	AA	FB3304	RBLN-0254TAZZY	J	Ferrite Bead	AB
R3915	VRS-CJ1JF103JY	J	10k 1/16W Metal Oxide	AA	FB3305	RBLN-0254TAZZY	J	Ferrite Bead	AB
R3916	VRS-CY1JF000JY	J	0 1/16W Metal Oxide	AA	FB3701	RBLN-0095CEZZY	J	Ferrite Bead	AD
R3917	VRS-TQ2BD750JY	J	75 1/8W Metal Oxide	AA	FB3702	RBLN-0095CEZZY	J	Ferrite Bead	AD
R3918	VRS-CY1JF000JY	J	0 1/16W Metal Oxide	AA	FB3703	RBLN-0095CEZZY	J	Ferrite Bead	AD
R3919	VRS-TQ2BD750JY	J	75 1/8W Metal Oxide	AA	FB3705	RBLN-0051TAZZY	J	Ferrite Bead	AC
R3920	VRS-CY1JF000JY	J	0 1/16W Metal Oxide	AA	FB3707	RBLN-0254TAZZY	J	Ferrite Bead	AB
R3921	VRS-TQ2BD750JY	J	75 1/8W Metal Oxide	AA	FB3708	RBLN-0051TAZZY	J	Ferrite Bead	AC
R3922	VRS-CY1JF750JY	J	75 1/16W Metal Oxide	AA	FB3709	RBLN-0254TAZZY	J	Ferrite Bead	AB
R3923	VRS-CY1JF104JY	J	100k 1/16W Metal Oxide	AA	FB5000	RBLN-0062CEZZY	J	Ferrite Bead	AC
R3924	VRS-CY1JF101JY	J	100 1/16W Metal Oxide	AA	J3300	QJAKCA010WJZZ	J	POWER INPUT DC 12V	AF
R3925	VRS-TQ2BD750JY	J	75 1/8W Metal Oxide	AA	J3900	QJAKFA021WJZZ	S	AUDIO OUT(L/R)	AD
R3926	VRS-TQ2BD750JY	J	75 1/8W Metal Oxide	AA	J5000	QSOC0456CEZZ	J	S-VIDEO(AV-IN2)	AE
R3927	VRS-CY1JF103JY	J	10k 1/16W Metal Oxide	AA	J5001	QJAKGA038WJZZ	J	AUDIO(L/R)/VIDEO(AV-IN2)	AE
R3928	VRS-CY1JF000JY	J	0 1/16W Metal Oxide	AA	P350	QPLGN0378GEZZ	J	Plug, 3-pin(TM)	AB
R3929	VRS-CY1JF000JY	J	0 1/16W Metal Oxide	AA	P3301	QPLGN0478GEZZ	J	Plug, 4-pin(TS)	AB
R3930	VRS-CY1JF000JY	J	0 1/16W Metal Oxide	AA	P3600	QPLGN0478GEZZ	J	Plug, 4-pin	AB
R3931	VRS-CY1JF000JY	J	0 1/16W Metal Oxide	AA	P6500	QPLGN0155FJZZY	J	Plug, 3-pin	AE
R3932	VRS-CY1JF000JY	J	0 1/16W Metal Oxide	AA	P6501	QPLGN0155FJZZY	J	Plug, 3-pin	AE
R4011	VRS-CY1JF473JY	J	47k 1/16W Metal Oxide	AA	SC3901	QSOCN0464FJZZY	J	Socket, 50-pin(MA)	AH
R4012	VRS-CY1JF333JY	J	33k 1/16W Metal Oxide	AA	SC3902	QSOCZA056WJZZ	S	21-pin Euro-SCART(AV-IN1)	AH
R4015	VRS-CY1JF473JY	J	47k 1/16W Metal Oxide	AA	TP3300	QLUGHA006WJZZY	J	Lug	AA
R4016	VRS-CY1JF333JY	J	33k 1/16W Metal Oxide	AA	TP3301	QLUGHA006WJZZY	J	Lug	AA
R5000	VRS-TQ2BD750JY	J	75 1/8W Metal Oxide	AA	TP3701	QLUGHA006WJZZY	J	Lug	AA
R5001	VRS-TQ2BD750JY	J	75 1/8W Metal Oxide	AA	LANGT9102CEFW	J	Tuner Angle	AF	
R5002	VRS-CY1JF000JY	J	0 1/16W Metal Oxide	AA	PSLDM208WJFW	J	Tuner Shield	AD	
R5003	VRS-CJ1JF473JY	S	47k 1/16W Metal Oxide	AA	QCNW-B527WJQZ	J	Connecting Cord	AK	
R5004	VRS-CY1JF000JY	J	0 1/16W Metal Oxide	AA					
R5005	VRS-TQ2BD750JY	J	75 1/8W Metal Oxide	AA					
R5006	VRS-CJ1JF101JY	J	100 1/16W Metal Oxide	AA					
R5007	VRS-CY1JF000JY	J	0 1/16W Metal Oxide	AA					

Ref. No. Part No. \* Description Code  
**DUNTKB985WE01 (LC-13S1E)**  
**DUNTKB985WE02 (LC-15S1E)**  
**R/C, LED UNIT**

Ref. No.	Part No.	*	Description	Code
<b>INTEGRATED CIRCUITS</b>				
IC4201	VHITPS850++-1Y	J	TPS850	AG
<b>TRANSISTORS</b>				
Q4001	VSDTC144EE/-1Y	J	DTC144EE	AA
Q4002	VSUMG4N++++-1Y	J	UMG4N	AB
Q4003	VSDTC144EE/-1Y	J	DTC144EE	AA
Q4004	VSDTC144EE/-1Y	J	DTC144EE	AA
<b>DIODES</b>				
D4001	RH-PX0421CEZZY	J	Power/Standby Remote Sensor Indicator	AD
D4002	RH-PX0421CEZZY	J	OPC Sensor Indicator	AD
D4004	RH-EX1271CEZZY	J	Zener Diode, 12V	AB
D4005	RH-EX1271CEZZY	J	Zener Diode, 12V	AB
D4006	RH-EX1271CEZZY	J	Zener Diode, 12V	AB
D4007	RH-EX1271CEZZY	J	Zener Diode, 12V	AB
D4011	RH-EX1247CEZZY	J	Zener Diode, 5.6V	AB
<b>CAPACITORS</b>				
C4001	RC-KZ0117TAZZY	J	4.7 6.3V Ceramic	AD
C4201	RC-EZA124WJZZY	J	10 16V Electrolytic	AB
C4202	RC-EZA123WJZZY	J	100 6.3V Electrolytic	AC
C4203	VCKYCY1HF103ZY	J	0.01 50V Ceramic	AA
<b>RESISTORS</b>				
R4001	VRS-CY1JF471JY	J	470 1/16W Metal Oxide	AA
R4002	VRS-CY1JF472JY	J	4.7k 1/16W Metal Oxide	AA
R4003	VRS-CY1JF472JY	J	4.7k 1/16W Metal Oxide	AA
R4006	VRS-CY1JF101JY	J	100 1/16W Metal Oxide	AA
R4007	VRS-CY1JF471JY	J	470 1/16W Metal Oxide	AA
R4009	VRS-CY1JF000JY	J	0 1/16W Metal Oxide	AA
<b>MISCELLANEOUS PARTS</b>				
J4021	QJAKJ0068CEZZ	J	Headphone Jack	AG
P4001	QPLGN0958REZZY	J	Plug, 9-pin(MS)	AC
P4003	QPLGN0378GEZZ	J	Plug, 3-pin(TM)	AB
RMC4001	RRMCU0239CEZZ	J	R/C Receiver	AG

Ref. No. Part No. \* Description Code  
**DUNTKB988WE01 (LC-13S1E)**  
**DUNTKB988WE02 (LC-15S1E)**  
**MAIN UNIT**

Ref. No.	Part No.	*	Description	Code
<b>INTEGRATED CIRCUITS</b>				
IC702	VHIBA05FP++-1Y	J	BA05FP-E2	AF
IC704	VHiNJ79M08D-1Y	J	NJM79M08DL1A	AF
IC705	VHINJU7662M-1Y	J	NJU7662M(Te2)	AL
IC706	VHiPQ1R34++-1Y	J	PQ1R34	AE
IC707	VHiPQ1R33/-1Y	J	PQ1R33	AE
IC708	VHiLM1117MJ-1Y	J	LM1117MPX-ADJ	AF
IC709	VHiMM1562FF-1Y	J	MM1562FFBE	AE
IC710	VHiMM1563DF-1Y	J	MM1563DFBE	AE
IC801	VHiVPC3230D1EQ	J	VPC3230D-QA-B3	BD
IC802	VHiNJM2293M-1Y	J	NJM2293M(Te1)	AG
IC803	VHiNJM2268M-1Y	J	NJM2268M-TE1	AF
IC804	VHiBA7046F/-1Y	J	BA7046F	AF
IC805	VHiNJM2233V-1Y	J	NJM2233V	AE
IC806	VHiMM1563DF-1Y	J	MM1563DFBE	AE
IC1101	VHiBD8120FF-1Y	J	BD8120FF	AX
IC1201	VHiDPS9450+-1Q	J	DPS9450A-XZ-A1	BD
IC1202	VHiTC4W66U/-1Y	J	TC4W66FU	AE
IC1601	VHiSDA5550M-1Q	J	SDA5550M	AZ
IC1603	VHiPST3228N1EY	J	PST3228NR	AD
IC1604	VHiMM1501XN-1Y	J	MM1501XNRE	AE
IC1606	VHiPST3221N1EY	J	PST3221NR	AD
IC1608	VHiNC7SZ58P-1Y	J	NC7SZ58P6X	AE
IC1611	RH-iXA745WJN1Q	J	M29W400BT70N6	AP
IC1612	VHi62S8308X-1Q	J	A62S8308X-70Si	AY
IC2001	RH-iXA661WJZZQ	J	I.C.	BA
IC2003	VHiSi3010KM-1Y	J	SI-3010KM-TL	AF
IC2004	VHiMM1573DN-1Y	J	MM1573DNRE	AD
IC2006	VHiBD4729G+-1Y	J	BD4729G-TR	AD
IC2007	VHiBR24C32F-1Y	J	BR24C32F-E2	AH
IC2009	VHiBR2416E2-1Y	J	BR24C16F	AK
IC2010	VHiTC4W66U/-1Y	J	TC4W66FU	AE
IC2011	VHiTC4W66U/-1Y	J	TC4W66FU	AE
<b>TRANSISTORS</b>				
Q701	VS2SA1037KQ-1Y	J	2SA1037KQ	AA
Q702	VSDTC144EE/-1Y	J	DTC144EE	AA
Q703	VSFMMT718/-1Y	J	FMMT718	AE
Q704	VSDTC144EE/-1Y	J	DTC144EE	AA
Q705	VSUMX2N++++-1Y	J	UMX2N	AB
Q801	VS2SA1530AR-1Y	J	2SA1530AR	AB
Q802	VS2SA1530AR-1Y	J	2SA1530AR	AB
Q803	VS2SA1530AR-1Y	J	2SA1530AR	AB
Q1101	VSFMMT718/-1Y	J	FMMT718	AE
Q1102	VS2SC4520/-1Y	J	2SC4520	AE
Q1103	VS2SA1729/-1Y	J	2SA1729	AF
Q1104	VSDTC144EE/-1Y	J	DTC144EE	AA
Q1105	VS2SC4520/-1Y	J	2SC4520	AE
Q1106	VS2SA1729/-1Y	J	2SA1729	AF
Q1206	VSDTC144EE/-1Y	J	DTC144EE	AA
Q1601	VS2SA1530AR-1Y	J	2SA1530AR	AB
Q1602	VS2SA1530AR-1Y	J	2SA1530AR	AB
Q1603	VSDTC144TE/-1Y	J	DTC144TE	AB
Q1604	VS2SA1530AR-1Y	J	2SA1530AR	AB
Q1605	VS2SC3928AR-1Y	J	2SC3928AR	AB
Q1606	VS2SA1530AR-1Y	J	2SA1530AR	AB
Q1607	VS2SA1530AR-1Y	J	2SA1530AR	AB
Q2001	VSUM5K1NTR+-1Y	J	UM5K1NTR	AC
Q2005	VSDTC114EE/-1Y	J	DTC114EE	AB
Q2006	VSDTC114EE/-1Y	J	DTC114EE	AB
Q2007	VSUPA606T/-1Y	J	UPA606T	AD
Q2008	VSDTC114EE/-1Y	J	DTC114EE	AB
Q2009	VSUPA606T/-1Y	J	UPA606T	AD
Q2011	VSUPA606T/-1Y	J	UPA606T	AD
<b>DIODES</b>				
D701	RH-EX1247CEZZY	J	Zener Diode, 5.6V	AB
D702	VHDDAN222/-1Y	J	Diode	AA
D703	VHDDAN222/-1Y	J	Diode	AA
D704	RH-EX1245CEZZY	J	Zener Diode, 5.1V	AB
D705	VHDDAN222/-1Y	J	Diode	AA

Ref. No.	Part No.	★	Description	Code	Ref. No.	Part No.	★	Description	Code
<b>DUNTKB988WE01 (LC-13S1E)</b>									
<b>DUNTKB988WE02 (LC-15S1E)</b>									
<b>MAIN UNIT (Continued)</b>									
D706	VHDDAN222/-1Y	J	Diode	AA	C734	VCCCCY1HH471JY	J	470p 50V Ceramic	AA
D707	VHDDAN222/-1Y	J	Diode	AA	C735	RC-EZA132WJZZY	J	10 50V Electrolytic	AC
D708	RH-EX1245CEZZY	J	Zener Diode, 5.1V	AB	C736	VCKYCY1EF104ZY	J	0.1 25V Ceramic	AA
D709	VHDDAN222/-1Y	J	Diode	AA	C737	VCKYCY1CF334ZY	J	0.33 16V Ceramic	AB
D710	VHDDAN202K/-1Y	J	Diode	AB	C738	RC-EZA123WJZZY	J	100 6.3V Electrolytic	AC
D711	VHD1SS250//1EY	J	Diode	AB	C739	RC-KZA030WJZZY	J	2.2 10V Ceramic	AB
D712	VHDDAN222/-1Y	J	Diode	AA	C740	VCCCCY1HH471JY	J	470p 50V Ceramic	AA
D713	VHDRB481K++-1Y	J	Diode	AD	C741	VCEASH1CN107MY	J	100 16V Electrolytic	AC
D714	VHDRB491D++-1Y	J	Diode	AD	C801	RC-KZA041WJZZY	J	10 10V Ceramic	AC
D1101	VHD1SS250//1EY	J	Diode	AB	C802	RC-KZA030WJZZY	J	2.2 10V Ceramic	AB
D1103	VHD1SS250//1EY	J	Diode	AB	C803	RC-KZA030WJZZY	J	2.2 10V Ceramic	AB
D1104	VHD1SS250//1EY	J	Diode	AB	C804	RC-KZA041WJZZY	J	10 10V Ceramic	AC
D2001	RH-EX1232CEZZY	J	Zener Diode	AB	C805	VCKYCY1EF104ZY	J	0.1 25V Ceramic	AA
D2002	VHDDAN202K/-1Y	J	Diode	AB	C806	RC-KZA041WJZZY	J	10 10V Ceramic	AC
D2003	VHDDAN202K/-1Y	J	Diode	AB	C807	RC-KZA041WJZZY	J	10 10V Ceramic	AC
D2004	VHDRB491D++-1Y	J	Diode	AD	C808	VCKYCY1AB105KY	J	1 10V Ceramic	AB
<b>PACKAGED CIRCUITS</b>									
X801	RCRSC0012CEZZY	J	Crystal, 20.25MHz	AH	C809	VCKYCY1HB222KY	J	2200p 50V Ceramic	AA
X1201	RCRSC0012CEZZY	J	Crystal	AH	C810	VCCCCY1HH101JY	J	100p 50V Ceramic	AA
X1601	RCRSCA002WJZZY	J	Crystal	AG	C811	RC-KZA041WJZZY	J	10 10V Ceramic	AC
<b>FILTERS AND COILS</b>									
FL801	RFILJA001WJZZY	J	Filter	AG	C812	VCKYCY1EF104ZY	J	0.1 25V Ceramic	AA
FL802	RFILJA001WJZZY	J	Filter	AG	C813	RC-KZA041WJZZY	J	10 10V Ceramic	AC
FL2001	RFILZ0169TAZZY	J	Filter	AD	C814	VCKYCY1EF104ZY	J	0.1 25V Ceramic	AA
L701	RCILPA143WJZZY	J	Coil	AD	C815	VCKYCY1AB105KY	J	1 10V Ceramic	AB
L702	VP-1M470J5R4NY	J	Peaking 47µH	AC	C816	VCKYCY1HB102KY	J	1000p 50V Ceramic	AA
L801	RCILPA143WJZZY	J	Coil	AD	C817	RC-EZA135WJZZY	J	47 6.3V Electrolytic	AC
L802	RCILPA143WJZZY	J	Coil	AD	C818	VCKYCY1EF104ZY	J	0.1 25V Ceramic	AA
L803	VP-9N3R3KR46NY	J	Peaking 3.3µH	AC	C819	VCKYTV1CF684ZY	J	0.68 16V Ceramic	AB
L804	VP-9N3R3KR46NY	J	Peaking 3.3µH	AC	C820	VCKYTV1CF684ZY	J	0.68 16V Ceramic	AB
L805	VP-9N3R3KR46NY	J	Peaking 3.3µH	AC	C821	VCKYCY1EF104ZY	J	0.1 25V Ceramic	AA
L1201	VPCGM220M0R5NY	J	Peaking 22µH	AB	C822	RC-EZA123WJZZY	J	100 6.3V Electrolytic	AC
L1202	VPCGM220M0R5NY	J	Peaking 22µH	AB	C823	RC-EZA123WJZZY	J	100 6.3V Electrolytic	AC
L1203	VPCGM220M0R5NY	J	Peaking 22µH	AB	C824	VCKYCY1EF104ZY	J	0.1 25V Ceramic	AA
L1204	VPCGM220M0R5NY	J	Peaking 22µH	AB	C825	RC-KZ1025CEZZY	J	1 10V Ceramic	AB
L1601	VP-1M270J3R8NY	J	Peaking 27µH	AC	C827	RC-KZ1025CEZZY	J	1 10V Ceramic	AB
<b>CAPACITORS</b>									
C701	VCKYCY1EF104ZY	J	0.1 25V Ceramic	AA	C828	VCKYCY1EF104ZY	J	0.1 25V Ceramic	AA
C702	RC-EZA127WJZZY	J	100 16V Electrolytic	AC	C829	RC-EZA123WJZZY	J	100 6.3V Electrolytic	AC
C704	VCKYCY1EF104ZY	J	0.1 25V Ceramic	AA	C830	VCKYCY1HB331KY	J	330p 50V Ceramic	AA
C705	RC-EZA127WJZZY	J	100 16V Electrolytic	AC	C831	RC-EZA122WJZZY	J	22 6.3V Electrolytic	AB
C707	VCKYCY1EF104ZY	J	0.1 25V Ceramic	AA	C832	VCKYCY1AB224KY	J	0.22 10V Ceramic	AB
C708	VCEASK1CN227MY	J	220 16V Electrolytic	AC	C833	RC-KZA030WJZZY	J	2.2 10V Ceramic	AB
C709	RC-EZA123WJZZY	J	100 6.3V Electrolytic	AC	C834	VCKYCY1HB331KY	J	330p 50V Ceramic	AA
C710	VCKYTV1CB105KY	J	1 16V Ceramic	AC	C835	VCKYCY1AB224KY	J	0.22 10V Ceramic	AB
C711	VCKYTV1CB105KY	J	1 16V Ceramic	AC	C836	RC-EZA124WJZZY	J	10 16V Electrolytic	AB
C712	RC-KZ0075TAZZY	J	2.2 16V Ceramic	AC	C837	VCKYCY1HB331KY	J	330p 50V Ceramic	AA
C713	RC-EZA132WJZZY	J	10 50V Electrolytic	AC	C838	VCKYCY1AB224KY	J	0.22 10V Ceramic	AB
C714	RC-KZA041WJZZY	J	10 10V Ceramic	AC	C839	VCKYCY1EF104ZY	J	0.1 25V Ceramic	AA
C715	RC-EZA129WJZZY	J	2.2 50V Electrolytic	AB	C840	VCCCCY1HH7R0DY	J	7p 50V Ceramic	AA
C716	VCKYTV1CB105KY	J	1 16V Ceramic	AC	C841	VCKYCY1EF104ZY	J	0.1 25V Ceramic	AA
C717	RC-KZA041WJZZY	J	10 10V Ceramic	AC	C842	VCCCCY1HH471JY	J	470p 50V Ceramic	AA
C718	VCKYTV1CB105KY	J	1 16V Ceramic	AC	C843	VCCCCY1HH7R0DY	J	7p 50V Ceramic	AA
C719	RC-KZA041WJZZY	J	10 10V Ceramic	AC	C844	RC-EZA134WJZZY	J	220 6.3V Electrolytic	AC
C720	RC-EZA132WJZZY	J	10 50V Electrolytic	AC	C845	VCKYCY1CF224ZY	J	0.22 16V Ceramic	AB
C721	RC-KZA041WJZZY	J	10 10V Ceramic	AC	C846	VCKYCY1CF224ZY	J	0.22 16V Ceramic	AB
C722	RC-KZA041WJZZY	J	10 10V Ceramic	AC	C847	VCKYCY1CF224ZY	J	0.22 16V Ceramic	AB
C723	RC-EZA132WJZZY	J	10 50V Electrolytic	AC	C848	RC-KZ0117TAZZY	J	4.7 6.3V Ceramic	AD
C724	VCKYTV1CB105KY	J	1 16V Ceramic	AC	C849	RC-KZ1025CEZZY	J	1 10V Ceramic	AB
C725	RC-KZA041WJZZY	J	10 10V Ceramic	AC	C850	RC-KZ1025CEZZY	J	1 10V Ceramic	AB
C726	RC-EZA123WJZZY	J	100 6.3V Electrolytic	AC	C851	VCKYCY1EF104ZY	J	0.1 25V Ceramic	AA
C727	VCEASH0JN227MY	J	220 6.3V Electrolytic	AC	C852	VCKYCY1EF104ZY	J	0.1 25V Ceramic	AA
C728	VCKYCY1CF334ZY	J	0.33 16V Ceramic	AB	C854	RC-KZ1025CEZZY	J	1 10V Ceramic	AB
C729	VCKYCY1EF104ZY	J	0.1 25V Ceramic	AA	C856	RC-KZ1025CEZZY	J	1 10V Ceramic	AB
C730	RC-EZA123WJZZY	J	100 6.3V Electrolytic	AC	C857	VCKYCY1EF104ZY	J	0.1 25V Ceramic	AA
C731	RC-EZA131WJZZY	J	4.7 50V Electrolytic	AC	C863	VCKYCY1EB473KY	J	0.047 25V Ceramic	AA
C732	RC-KZA030WJZZY	J	2.2 10V Ceramic	AB	C865	VCKYCY1EB473KY	J	0.047 25V Ceramic	AA
C733	VCKYCY1EF104ZY	J	0.1 25V Ceramic	AA	C866	VCKYCY1EB473KY	J	0.047 25V Ceramic	AA
					C1101	VCKYCY1EF104ZY	J	0.1 25V Ceramic	AA
					C1102	RC-EZ1339CEZZY	J	220 16V Electrolytic	AD
					C1104	VCKYCY1EF104ZY	J	0.1 25V Ceramic	AA
					C1105	VCCCCY1HH181JY	J	180p 50V Ceramic	AA
					C1106	VCKYCY1EF104ZY	J	0.1 25V Ceramic	AA
					C1107	RC-KZA041WJZZY	J	10 10V Ceramic	AC
					C1108	VCCCCY1HH560JY	J	56p 50V Ceramic	AB
					C1109	RC-KZA041WJZZY	J	10 10V Ceramic	AC
					C1110	VCKYCY1EF104ZY	J	0.1 25V Ceramic	AA
					C1111	VCKYCY1EF104ZY	J	0.1 25V Ceramic	AA

Ref. No.	Part No.	★	Description	Code	Ref. No.	Part No.	★	Description	Code
<b>DUNTKB988WE01 (LC-13S1E)</b>					<b>DUNTKB988WE02 (LC-15S1E)</b>				
<b>MAIN UNIT (Continued)</b>									
C1112	VCKYCY1HB103KY	J	0.01 50V Ceramic	AA	C1639	VCKYCY1EF104ZY	J	0.1 25V Ceramic	AA
C1113	VCKYCY1HB103KY	J	0.01 50V Ceramic	AA	C1640	VCCCCY1HH220JY	J	22p 50V Ceramic	AA
C1114	VCCCCY1HH560JY	J	56p 50V Ceramic	AB	C1641	VCCCCY1HH180JY	J	18p 50V Ceramic	AA
C1115	VCKYTV1CB334KY	J	0.33 16V Ceramic	AC	C1643	VCKYCY1EF104ZY	J	0.1 25V Ceramic	AA
C1116	VCKYTV1CB105KY	J	1 16V Ceramic	AC	C1644	RC-KZ0074TAZZY	J	10 6.3V Ceramic	AF
C1117	VCKYTV1CB105KY	J	1 16V Ceramic	AC	C1649	VCKYCY1EF104ZY	J	0.1 25V Ceramic	AA
C1118	VCKYCY1EB104KY	J	0.1 25V Ceramic	AB	C2002	VCKYTV1CF105ZY	J	1 16V Ceramic	AB
C1119	RC-KZA041WJZZY	J	10 10V Ceramic	AC	C2004	VCKYCY1EF104ZY	J	0.1 25V Ceramic	AA
C1122	RC-EZ1339CEZZY	J	220 16V Electrolytic	AD	C2005	VCKYCY1AB105KY	J	1 10V Ceramic	AB
C1201	VCKYCY1EF104ZY	J	0.1 25V Ceramic	AA	C2006	RC-EZA122WJZZY	J	22 6.3V Electrolytic	AB
C1202	VCKYCY1EF104ZY	J	0.1 25V Ceramic	AA	C2007	VCKYCY1EF104ZY	J	0.1 25V Ceramic	AA
C1203	VCKYCY1EF104ZY	J	0.1 25V Ceramic	AA	C2009	RC-KZ0074TAZZY	J	10 6.3V Ceramic	AF
C1204	VCKYCY1EF104ZY	J	0.1 25V Ceramic	AA	C2013	VCKYCY1EF104ZY	J	0.1 25V Ceramic	AA
C1205	VCKYCY1EF104ZY	J	0.1 25V Ceramic	AA	C2017	VCKYTV1CF684ZY	J	0.68 16V Ceramic	AB
C1206	VCCCCY1HH180JY	J	18p 50V Ceramic	AA	C2019	RC-EZA124WJZZY	J	10 16V Electrolytic	AB
C1207	VCCCCY1HH180JY	J	18p 50V Ceramic	AA	C2020	VCKYCY1EF104ZY	J	0.1 25V Ceramic	AA
C1208	VCKYCY1EF104ZY	J	0.1 25V Ceramic	AA	C2022	VCKYCY1EF104ZY	J	0.1 25V Ceramic	AA
C1209	VCKYCY1EF104ZY	J	0.1 25V Ceramic	AA	C2023	VCKYCY1EF104ZY	J	0.1 25V Ceramic	AA
C1210	VCKYCY1EF104ZY	J	0.1 25V Ceramic	AA	C2025	VCKYCY1EF104ZY	J	0.1 25V Ceramic	AA
C1211	VCKYCY1EF104ZY	J	0.1 25V Ceramic	AA	C2026	VCKYCY1EF104ZY	J	0.1 25V Ceramic	AA
C1212	VCKYCY1EF104ZY	J	0.1 25V Ceramic	AA	C2027	VCKYCY1EF104ZY	J	0.1 25V Ceramic	AA
C1213	VCKYCY1EF104ZY	J	0.1 25V Ceramic	AA	C2028	VCKYCY1EF104ZY	J	0.1 25V Ceramic	AA
C1214	VCKYCY1EF104ZY	J	0.1 25V Ceramic	AA	C2029	VCKYCY1HB222KY	J	2200p 50V Ceramic	AA
C1215	VCKYCY1EF104ZY	J	0.1 25V Ceramic	AA	C2030	VCKYCY1HB222KY	J	2200p 50V Ceramic	AA
C1216	VCKYCY1EF104ZY	J	0.1 25V Ceramic	AA	C2031	VCKYCY1HB102KY	J	1000p 50V Ceramic	AA
C1217	VCKYCY1EF104ZY	J	0.1 25V Ceramic	AA	<b>RESISTORS</b>				
C1218	VCKYCY1CF474ZY	J	0.47 16V Ceramic	AB	R703	VRS-TW2HF2R2JY	J	2.2 1/2W Metal Oxide	AA
C1219	VCKYCY1CF474ZY	J	0.47 16V Ceramic	AB	R704	VRS-CY1JF682JY	J	6.8k 1/16W Metal Oxide	AA
C1220	VCKYCY1CF474ZY	J	0.47 16V Ceramic	AB	R705	VRS-CY1JF562JY	J	5.6k 1/16W Metal Oxide	AA
C1221	VCKYCY1CF474ZY	J	0.47 16V Ceramic	AB	R706	VRS-CY1JF1R0JY	J	1 1/16W Metal Oxide	AA
C1222	VCKYCY1CF474ZY	J	0.47 16V Ceramic	AB	R708	VRS-CY1JF103JY	J	10k 1/16W Metal Oxide	AA
C1223	VCKYCY1CF474ZY	J	0.47 16V Ceramic	AB	R709	VRS-CY1JF272JY	J	2.7k 1/16W Metal Oxide	AA
C1224	VCKYCY1EF104ZY	J	0.1 25V Ceramic	AA	R710	VRS-CY1JF272JY	J	2.7k 1/16W Metal Oxide	AA
C1225	VCKYCY1EF104ZY	J	0.1 25V Ceramic	AA	R711	VRS-TW2ED103JY	J	10k 1/4W Metal Oxide	AA
C1226	VCKYCY1EF104ZY	J	0.1 25V Ceramic	AA	R712	VRS-CY1JF680FY	J	68 1/16W Metal Oxide	AA
C1227	VCKYCY1EF104ZY	J	0.1 25V Ceramic	AA	R714	VRS-CY1JF151FY	J	150 1/16W Metal Oxide	AA
C1228	VCKYCY1EF104ZY	J	0.1 25V Ceramic	AA	R715	VRS-CY1JF102JY	J	1k 1/16W Metal Oxide	AA
C1229	VCKYCY1EF104ZY	J	0.1 25V Ceramic	AA	R716	VRS-CY1JF103JY	J	10k 1/16W Metal Oxide	AA
C1230	VCKYCY1EF104ZY	J	0.1 25V Ceramic	AA	R717	VRS-CY1JF272JY	J	2.7k 1/16W Metal Oxide	AA
C1231	RC-EZA123WJZZY	J	100 6.3V Electrolytic	AC	R718	VRS-TW2HF330JY	J	33 1/2W Metal Oxide	AA
C1232	RC-EZA123WJZZY	J	100 6.3V Electrolytic	AC	R721	VRS-TV1JD562JY	J	5.6k 1/10W Metal Oxide	AA
C1233	RC-EZA123WJZZY	J	100 6.3V Electrolytic	AC	R723	VRS-TW2ED150JY	J	15 1/4W Metal Oxide	AA
C1234	RC-EZA123WJZZY	J	100 6.3V Electrolytic	AC	R724	VRS-TW2HF472JY	J	4.7k 1/2W Metal Oxide	AA
C1235	VCKYCY1EF104ZY	J	0.1 25V Ceramic	AA	R803	VRS-CY1JF105JY	J	1M 1/16W Metal Oxide	AA
C1236	VCKYCY1EF104ZY	J	0.1 25V Ceramic	AA	R805	VRS-CY1JF561FY	J	560 1/16W Metal Oxide	AA
C1237	VCKYCY1EF104ZY	J	0.1 25V Ceramic	AA	R806	VRS-CY1JF103JY	J	10k 1/16W Metal Oxide	AA
C1238	VCKYCY1EF104ZY	J	0.1 25V Ceramic	AA	R807	VRS-CY1JF561FY	J	560 1/16W Metal Oxide	AA
C1243	VCKYCY1EF104ZY	J	0.1 25V Ceramic	AA	R808	VRS-CY1JF474JY	J	470k 1/16W Metal Oxide	AA
C1244	VCCCCY1HH220JY	J	22p 50V Ceramic	AA	R810	VRS-CY1JF104JY	J	100k 1/16W Metal Oxide	AA
C1601	RC-KZ0074TAZZY	J	10 6.3V Ceramic	AF	R811	VRS-CY1JF333JY	J	33k 1/16W Metal Oxide	AA
C1603	VCKYCY1EF104ZY	J	0.1 25V Ceramic	AA	R812	VRS-CY1JF152JY	J	1.5k 1/16W Metal Oxide	AA
C1607	RC-EZA199WJZZY	J	10 25V Electrolytic	AC	R814	VRS-CY1JF152JY	J	1.5k 1/16W Metal Oxide	AA
C1610	VCKYCY1HB103KY	J	0.01 50V Ceramic	AA	R815	VRS-CY1JF152JY	J	1.5k 1/16W Metal Oxide	AA
C1613	VCE9PF0JN226MY	J	22 6.3V Elect. (N.P)	AD	R816	VRS-CY1JF561FY	J	560 1/16W Metal Oxide	AA
C1615	RC-EZA125WJZZY	J	22 16V Electrolytic	AC	R817	VRS-CY1JF103JY	J	10k 1/16W Metal Oxide	AA
C1616	VCKYCY1HB103KY	J	0.01 50V Ceramic	AA	R818	VRS-CY1JF152JY	J	1.5k 1/16W Metal Oxide	AA
C1619	VCCCCY1HH181JY	J	180p 50V Ceramic	AA	R819	VRS-CY1JF152JY	J	1.5k 1/16W Metal Oxide	AA
C1620	VCE9PF0JN226MY	J	22 6.3V Elect. (N.P)	AD	R820	VRS-CY1JF152JY	J	1.5k 1/16W Metal Oxide	AA
C1622	RC-EZA122WJZZY	J	22 6.3V Electrolytic	AB	R821	VRS-CY1JF152JY	J	1.5k 1/16W Metal Oxide	AA
C1623	RC-EZA135WJZZY	J	47 6.3V Electrolytic	AC	R823	VRS-CY1JF561FY	J	560 1/16W Metal Oxide	AA
C1624	VCKYCY1EF104ZY	J	0.1 25V Ceramic	AA	R827	VRS-CY1JF750JY	J	75 1/16W Metal Oxide	AA
C1625	VCKYCY1EF104ZY	J	0.1 25V Ceramic	AA	R828	VRS-CY1JF750JY	J	75 1/16W Metal Oxide	AA
C1626	VCKYCY1EF104ZY	J	0.1 25V Ceramic	AA	R829	VRS-CY1JF750JY	J	75 1/16W Metal Oxide	AA
C1627	VCKYCY1EF104ZY	J	0.1 25V Ceramic	AA	R835	VRS-CY1JF000JY	J	0 1/16W Metal Oxide	AA
C1628	VCKYCY1EF104ZY	J	0.1 25V Ceramic	AA	R836	VRS-CY1JF000JY	J	0 1/16W Metal Oxide	AA
C1629	VCKYCY1EF104ZY	J	0.1 25V Ceramic	AA	R837	VRS-CY1JF102JY	J	1k 1/16W Metal Oxide	AA
C1630	VCKYCY1EF104ZY	J	0.1 25V Ceramic	AA	R838	VRS-CY1JF102JY	J	1k 1/16W Metal Oxide	AA
C1631	VCKYCY1EF104ZY	J	0.1 25V Ceramic	AA	R839	VRS-CY1JF102JY	J	1k 1/16W Metal Oxide	AA
C1632	VCKYCY1EF104ZY	J	0.1 25V Ceramic	AA	R841	VRS-CA1JF101JY	J	100 1/16W Metal Oxide	AA
C1633	VCKYTV1CF105ZY	J	1 16V Ceramic	AB	R842	VRS-CA1JF101JY	J	100 1/16W Metal Oxide	AA
C1634	VCKYCY1EF104ZY	J	0.1 25V Ceramic	AA	R843	VRS-CY1JF101JY	J	100 1/16W Metal Oxide	AA
					R845	VRS-CY1JF101JY	J	100 1/16W Metal Oxide	AA
					R847	VRS-CY1JF101JY	J	100 1/16W Metal Oxide	AA
					R853	VRS-CA1JF220JY	J	22 1/16W Metal Oxide	AA

Ref. No.	Part No.	★	Description	Code	Ref. No.	Part No.	★	Description	Code		
<b>DUNTKB988WE01 (LC-13S1E)</b>											
<b>DUNTKB988WE02 (LC-15S1E)</b>											
<b>MAIN UNIT (Continued)</b>											
R854	VRS-CY1JF102FY	J	1k	1/16W Metal Oxide	AA	R1609	VRS-CY1JF681JY	J	680	1/16W Metal Oxide	AA
R856	VRS-CY1JF392FY	J	3.9k	1/16W Metal Oxide	AA	R1610	VRS-CY1JF391FY	J	390	1/16W Metal Oxide	AA
R1101	VRS-CY1JF273FY	J	27k	1/16W Metal Oxide	AA	R1611	VRS-CY1JF132JY	J	1.3k	1/16W Metal Oxide	AG
R1102	VRS-CY1JF472FY	J	4.7k	1/16W Metal Oxide	AA	R1614	VRS-CY1JF223JY	J	22k	1/16W Metal Oxide	AA
R1103	VRS-CY1JF472FY	J	4.7k	1/16W Metal Oxide	AA	R1615	VRS-CY1JF223JY	J	22k	1/16W Metal Oxide	AA
R1104	VRS-CY1JF472JY	J	4.7k	1/16W Metal Oxide	AA	R1616	VRS-CY1JF391FY	J	390	1/16W Metal Oxide	AA
R1105	VRS-CY1JF391JY	J	390	1/16W Metal Oxide	AA	R1617	VRS-CY1JF102JY	J	1k	1/16W Metal Oxide	AA
R1106	VRS-CY1JF102JY	J	1k	1/16W Metal Oxide	AA	R1618	VRS-CY1JF102FY	J	1k	1/16W Metal Oxide	AA
R1107	VRS-CY1JF391JY	J	390	1/16W Metal Oxide	AA	R1619	VRS-CY1JF102FY	J	1k	1/16W Metal Oxide	AA
R1108	VRS-TW2ED102JY	J	1k	1/4W Metal Oxide	AA	R1620	VRS-CY1JF681FY	J	680	1/16W Metal Oxide	AA
R1109	VRS-TW2ED5R6JY	J	5.6	1/4W Metal Oxide	AA	R1621	VRS-CY1JF102JY	J	1k	1/16W Metal Oxide	AA
R1110	VRS-TW2ED8R2JY	J	8.2	1/4W Metal Oxide	AA	R1622	VRS-CY1JF102JY	J	1k	1/16W Metal Oxide	AA
R1111	VRS-CY1JF103FY	J	10k	1/16W Metal Oxide	AA	R1623	VRS-CY1JF102JY	J	1k	1/16W Metal Oxide	AA
R1112	VRS-CY1JF181JY	J	180	1/16W Metal Oxide	AA	R1624	VRS-CY1JF681FY	J	680	1/16W Metal Oxide	AA
R1113	VRS-CY1JF102JY	J	1k	1/16W Metal Oxide	AA	R1625	VRS-CY1JF223JY	J	22k	1/16W Metal Oxide	AA
R1114	VRS-CY1JF181JY	J	180	1/16W Metal Oxide	AA	R1627	VRS-CY1JF333JY	J	33k	1/16W Metal Oxide	AA
R1115	VRS-TW2HF100JY	J	10	1/2W Metal Oxide	AA	R1628	VRS-CY1JF332JY	J	3.3k	1/16W Metal Oxide	AA
R1117	VRS-TW2HF5R6JY	J	5.6	1/2W Metal Oxide	AA	R1629	VRS-CY1JF332JY	J	3.3k	1/16W Metal Oxide	AA
R1118	VRS-TW2HF5R6JY	J	5.6	1/2W Metal Oxide	AA	R1631	VRS-CY1JF222JY	J	2.2k	1/16W Metal Oxide	AA
R1119	VRS-CY1JF473JY	J	47k	1/16W Metal Oxide	AA	R1632	VRS-CB1JF332JY	J	3.3k	1/16W Metal Oxide	AC
R1121	VRS-CY1JF000JY	J	0	1/16W Metal Oxide	AA	R1635	VRS-CY1JF221JY	J	220	1/16W Metal Oxide	AA
R1122	VRS-CY1JF000JY	J	0	1/16W Metal Oxide	AA	R1637	VRS-CY1JF221JY	J	220	1/16W Metal Oxide	AA
R1123	VRS-TW2HF000JY	J	0	1/2W Metal Oxide	AA	R1645	VRS-CA1JF221JY	J	220	1/16W Metal Oxide	AC
R1124	VRS-TW2HF101JY	J	100	1/2W Metal Oxide	AA	R1647	VRS-CY1JF333JY	J	33k	1/16W Metal Oxide	AA
R1126	VRS-CY1JF000JY	J	0	1/16W Metal Oxide	AA	R1655	VRS-CY1JF102FY	J	1k	1/16W Metal Oxide	AA
R1128	VRS-CY1JF000JY	J	0	1/16W Metal Oxide	AA	R1656	VRS-CY1JF102FY	J	1k	1/16W Metal Oxide	AA
R1206	VRS-CY1JF101JY	J	100	1/16W Metal Oxide	AA	R1657	VRS-CY1JF102FY	J	1k	1/16W Metal Oxide	AA
R1207	VRS-CY1JF000JY	J	0	1/16W Metal Oxide	AA	R1661	VRS-CY1JF221JY	J	220	1/16W Metal Oxide	AA
R1208	VRS-CY1JF101JY	J	100	1/16W Metal Oxide	AA	R1665	VRS-CY1JF332JY	J	3.3k	1/16W Metal Oxide	AA
R1209	VRS-CA1JF101JY	J	100	1/16W Metal Oxide	AA	R2002	VRS-CY1JF123FY	J	12k	1/16W Metal Oxide	AA
R1210	VRS-CY1JF101JY	J	100	1/16W Metal Oxide	AA	R2005	VRS-CY1JF273FY	J	27k	1/16W Metal Oxide	AA
R1213	VRS-CA1JF101JY	J	100	1/16W Metal Oxide	AA	R2007	VRS-CY1JF101JY	J	100	1/16W Metal Oxide	AA
R1214	VRS-CB1JF101JY	J	100	1/16W Metal Oxide	AA	R2008	VRS-CY1JF223JY	J	22k	1/16W Metal Oxide	AA
R1215	VRS-CA1JF101JY	J	100	1/16W Metal Oxide	AA	R2009	VRS-CY1JF1R0JY	J	1	1/16W Metal Oxide	AA
R1216	VRS-CA1JF101JY	J	100	1/16W Metal Oxide	AA	R2010	VRS-CY1JF223JY	J	22k	1/16W Metal Oxide	AA
R1217	VRS-CA1JF101JY	J	100	1/16W Metal Oxide	AA	R2011	VRS-CY1JF393JY	J	39k	1/16W Metal Oxide	AA
R1218	VRS-CY1JF000JY	J	0	1/16W Metal Oxide	AA	R2014	VRS-CY1JF333JY	J	33k	1/16W Metal Oxide	AA
R1219	VRS-CY1JF105JY	J	1M	1/16W Metal Oxide	AA	R2018	VRS-CY1JF103JY	J	10k	1/16W Metal Oxide	AA
R1220	VRS-CY1JF471JY	J	470	1/16W Metal Oxide	AA	R2023	VRS-CY1JF101JY	J	100	1/16W Metal Oxide	AA
R1221	VRS-CY1JF101JY	J	100	1/16W Metal Oxide	AA	R2024	VRS-CY1JF101JY	J	100	1/16W Metal Oxide	AA
R1222	VRS-CY1JF820JY	J	82	1/16W Metal Oxide	AA	R2025	VRS-CA1JF102JY	J	1k	1/16W Metal Oxide	AA
R1223	VRS-CY1JF220JY	J	22	1/16W Metal Oxide	AA	R2026	VRS-CA1JF223JY	J	22k	1/16W Metal Oxide	AA
R1224	VRS-CH1JF101JY	J	100	1/16W Metal Oxide	AA	R2027	VRS-CY1JF101JY	J	100	1/16W Metal Oxide	AA
R1225	VRS-CY1JF101JY	J	100	1/16W Metal Oxide	AA	R2032	VRS-CY1JF102JY	J	1k	1/16W Metal Oxide	AA
R1227	VRS-CH1JF101JY	J	100	1/16W Metal Oxide	AA	R2034	VRS-CY1JF223JY	J	22k	1/16W Metal Oxide	AA
R1228	VRS-CY1JF101JY	J	100	1/16W Metal Oxide	AA	R2037	VRS-CY1JF512JY	J	5.1k	1/16W Metal Oxide	AA
R1229	VRS-CY1JF101JY	J	100	1/16W Metal Oxide	AA	R2038	VRS-CY1JF101JY	J	100	1/16W Metal Oxide	AA
R1230	VRS-CY1JF223JY	J	22k	1/16W Metal Oxide	AA	R2041	VRS-CA1JF223JY	J	22k	1/16W Metal Oxide	AA
R1231	VRS-CH1JF101JY	J	100	1/16W Metal Oxide	AA	R2043	VRS-CY1JF103JY	J	10k	1/16W Metal Oxide	AA
R1232	VRS-CY1JF101JY	J	100	1/16W Metal Oxide	AA	R2045	VRS-CY1JF102JY	J	1k	1/16W Metal Oxide	AA
R1233	VRS-CA1JF101JY	J	100	1/16W Metal Oxide	AA	R2046	VRS-CY1JF512JY	J	5.1k	1/16W Metal Oxide	AA
R1234	VRS-CA1JF470JY	J	47	1/16W Metal Oxide	AB	R2047	VRS-CY1JF103JY	J	10k	1/16W Metal Oxide	AA
R1235	VRS-CY1JF101JY	J	100	1/16W Metal Oxide	AA	R2048	VRS-CY1JF512JY	J	5.1k	1/16W Metal Oxide	AA
R1236	VRS-CY1JF102JY	J	1k	1/16W Metal Oxide	AA	R2049	VRS-CY1JF512JY	J	5.1k	1/16W Metal Oxide	AA
R1237	VRS-CY1JF220JY	J	22	1/16W Metal Oxide	AA	R2053	VRS-CY1JF101JY	J	100	1/16W Metal Oxide	AA
R1238	VRS-CY1JF221JY	J	220	1/16W Metal Oxide	AA	R2054	VRS-CY1JF153JY	J	15k	1/16W Metal Oxide	AA
R1239	VRS-CY1JF101JY	J	100	1/16W Metal Oxide	AA	R2055	VRS-CY1JF101JY	J	100	1/16W Metal Oxide	AA
R1240	VRS-CY1JF101JY	J	100	1/16W Metal Oxide	AA	R2057	VRS-CY1JF512JY	J	5.1k	1/16W Metal Oxide	AA
R1241	VRS-CY1JF101JY	J	100	1/16W Metal Oxide	AA	R2059	VRS-CY1JF223JY	J	22k	1/16W Metal Oxide	AA
R1242	VRS-CY1JF182JY	J	1.8k	1/16W Metal Oxide	AA	R2060	VRS-CY1JF512JY	J	5.1k	1/16W Metal Oxide	AA
R1257	VRS-CY1JF000JY	J	0	1/16W Metal Oxide	AA	R2062	VRS-CY1JF102JY	J	1k	1/16W Metal Oxide	AA
R1261	VRS-CY1JF472JY	J	4.7k	1/16W Metal Oxide	AA	R2063	VRS-CB1JF101JY	J	100	1/16W Metal Oxide	AA
R1267	VRS-CH1JF101JY	J	100	1/16W Metal Oxide	AA	R2064	VRS-CY1JF101JY	J	100	1/16W Metal Oxide	AA
R1268	VRS-CH1JF101JY	J	100	1/16W Metal Oxide	AA	R2065	VRS-CY1JF101JY	J	100	1/16W Metal Oxide	AA
R1269	VRS-CH1JF101JY	J	100	1/16W Metal Oxide	AA	R2066	VRS-CY1JF223JY	J	22k	1/16W Metal Oxide	AA
R1602	VRS-CY1JF152JY	J	1.5k	1/16W Metal Oxide	AA	R2067	VRS-CY1JF512JY	J	5.1k	1/16W Metal Oxide	AA
R1603	VRS-CY1JF101JY	J	100	1/16W Metal Oxide	AA	R2069	VRS-CY1JF101JY	J	100	1/16W Metal Oxide	AA
R1604	VRS-CY1JF101JY	J	100	1/16W Metal Oxide	AA	R2072	VRS-CA1JF103JY	J	10k	1/16W Metal Oxide	AA
R1605	VRS-CY1JF101JY	J	100	1/16W Metal Oxide	AA	R2074	VRS-CY1JF101JY	J	100	1/16W Metal Oxide	AA
R1607	VRS-CY1JF391FY	J	390	1/16W Metal Oxide	AA	R2075	VRS-CA1JF101JY	J	100	1/16W Metal Oxide	AA
R1608	VRS-CY1JF332JY	J	3.3k	1/16W Metal Oxide	AA	R2076	VRS-CA1JF101JY	J	100	1/16W Metal Oxide	AA
						R2077	VRS-CA1JF223JY	J	22k	1/16W Metal Oxide	AA
						R2078	VRS-CY1JF101JY	J	100	1/16W Metal Oxide	AA
						R2079	VRS-CY1JF223JY	J	22k	1/16W Metal Oxide	AA
						R2080	VRS-CY1JF103JY	J	10k	1/16W Metal Oxide	AA

Ref. No.	Part No.	★	Description	Code
<b>DUNTKB988WE01 (LC-13S1E)</b>				
<b>DUNTKB988WE02 (LC-15S1E)</b>				
<b>MAIN UNIT (Continued)</b>				

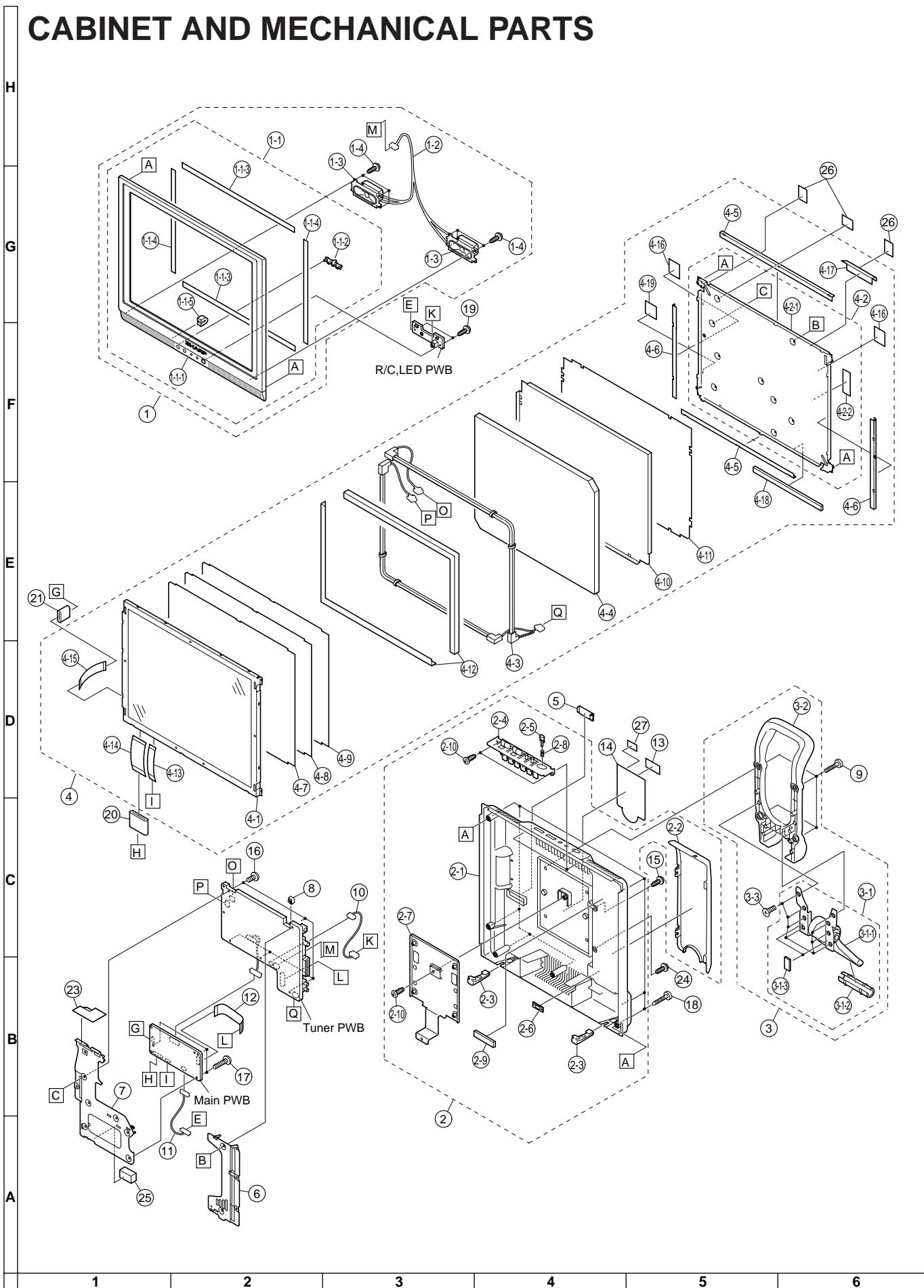
R2081	VRS-CA1JF101JY	J	100	1/16W Metal Oxide	AA
R2083	VRS-CY1JF223JY	J	22k	1/16W Metal Oxide	AA
R2088	VRS-CY1JF153JY	J	15k	1/16W Metal Oxide	AA
R2089	VRS-CY1JF101JY	J	100	1/16W Metal Oxide	AA
R2091	VRS-CY1JF153JY	J	15k	1/16W Metal Oxide	AA
R2092	VRS-CA1JF153JY	J	15k	1/16W Metal Oxide	AB
R2093	VRS-CY1JF101JY	J	100	1/16W Metal Oxide	AA
R2095	VRS-CA1JF101JY	J	100	1/16W Metal Oxide	AA
R2096	VRS-CB1JF101JY	J	100	1/16W Metal Oxide	AA
R2097	VRS-CA1JF101JY	J	100	1/16W Metal Oxide	AA
R2099	VRS-CY1JF472JY	J	4.7k	1/16W Metal Oxide	AA
R2100	VRS-CY1JF101JY	J	100	1/16W Metal Oxide	AA
R2101	VRS-CY1JF472JY	J	4.7k	1/16W Metal Oxide	AA
R2102	VRS-CY1JF101JY	J	100	1/16W Metal Oxide	AA
R2103	VRS-CY1JF101JY	J	100	1/16W Metal Oxide	AA
R2107	VRS-CA1JF101JY	J	100	1/16W Metal Oxide	AA
R2108	VRS-CY1JF472JY	J	4.7k	1/16W Metal Oxide	AA
R2109	VRS-CY1JF393JY	J	39k	1/16W Metal Oxide	AA
R2111	VRS-CY1JF472JY	J	4.7k	1/16W Metal Oxide	AA
R2112	VRS-CY1JF512JY	J	5.1k	1/16W Metal Oxide	AA
R2115	VRS-CA1JF103JY	J	10k	1/16W Metal Oxide	AA
R2118	VRS-CA1JF103JY	J	10k	1/16W Metal Oxide	AA
R2124	VRS-CY1JF433FY	J	43k	1/16W Metal Oxide	AA
R2126	VRS-CY1JF103FY	J	10k	1/16W Metal Oxide	AA
R2130	VRS-CY1JF103JY	J	10k	1/16W Metal Oxide	AA
R2131	VRS-CY1JF000JY	J	0	1/16W Metal Oxide	AA
R2132	VRS-CY1JF101JY	J	100	1/16W Metal Oxide	AA
R2133	VRS-CY1JF101JY	J	100	1/16W Metal Oxide	AA
R2134	VRS-CY1JF223JY	J	22k	1/16W Metal Oxide	AA
R2135	VRS-CY1JF102JY	J	1k	1/16W Metal Oxide	AA
R2136	VRS-CY1JF101JY	J	100	1/16W Metal Oxide	AA

**MISCELLANEOUS PARTS**

FB701	RBLN-0006TAZZY	J		Ferrite Bead	AB
FB701	RBLN-0006TAZZY	J		Ferrite Bead	AB
FB702	RBLN-0006TAZZY	J		Ferrite Bead	AB
FB1201	RBLN-0083GEZZY	J		Ferrite Bead	AB
FB1601	RBLN-0006TAZZY	J		Ferrite Bead	AB
FB1603	RBLN-0006TAZZY	J		Ferrite Bead	AB
FB1605	RBLN-0006TAZZY	J		Ferrite Bead	AB
FB1606	RBLN-0006TAZZY	J		Ferrite Bead	AB
FB1607	RBLN-0076TAZZY	J		Ferrite Bead	AC
FB1608	RBLN-0076TAZZY	J		Ferrite Bead	AC
FB1609	RBLN-0076TAZZY	J		Ferrite Bead	AC
P701	QPLGN0185FJZZY	J		Plug, 13-pin(MB)	AE
P2001	QPLGN0963TAZZY	J		Plug, 9-pin(MS)	AD
SC1202	QSOCNA002WJPZY	J		Socket, 20-pin(LK)	AD
SC1203	QSOCN0687FJZZY	J		Socket, 50-pin(LS)	AF
SC1204	QSOCN0684FJZZY	J		Socket, 30-pin(LG)	AF
SC2001	QSOCN0464FJZZY	J		Socket, 50-pin(MA)	AH
TP2002	QLUGHA006WJZZY	J		Lug	AA
TP2052	QLUGHA006WJZZY	J		Lug	AA
TP2053	QLUGHA006WJZZY	J		Lug	AA

Ref. No.	Part No.	★	Description	Code	Ref. No.	Part No.	★	Description	Code
<b>CABINET AND MECHANICAL PARTS</b>					24	XBBS930P05000	J	Screw, x1	AA
<b>(LC-13S1E)</b>					27	TLABSA028WJSA	S	GOST Label(LC-13S1E(R))	
1	<i>Not Available</i>	—	Cabinet A Ass'y Unit	—					
1-1	CCABAA376WJ02	S	Cabinet A Ass'y	BG					
1-1-1	<i>Not Available</i>	—	Cabinet A	—					
1-1-2	HDECQA269WJSA	J	R/C, LED Cover	AE					
1-1-3	PSPAHA061WJZZ	J	Spacer(L), x2	AC					
1-1-4	PSPAHA062WJZZ	J	Spacer(S), x2	AC					
1-1-5	QEARZ0047CEZZ	J	Grounding Part	AC					
1-2	QCNW-B662WJQZ	J	Connecting Cord(SP)	AH					
1-3	VSP7530PB628B	J	Speaker, x2	AN					
1-4	XEBSN30P08000	J	Screw, x6	AA					
2	CCABBA271WJ02	S	Cabinet B Ass'y	BL					
2-1	<i>Not Available</i>	—	Cabinet B	—					
2-2	GCOVAA502WJKA	J	Terminal Cover	AH					
2-3	GLEGGA027WJSA	J	Rubber Leg, x2	AF					
2-4	JBTN-A183WJKA	J	Operation Button	AK					
2-5	JBTN-A186WJKA	J	Power Button	AF					
2-6	LANGF2155CEFW	J	Round Rock	AD					
2-7	LANGTA080WJFW	J	Reinforcement Angle	AM					
2-8	MSPRCA015WJFW	J	Power Button Spring	AB					
2-9	PMLT-0402CEZZ	J	Light Shielding Spacer, x1	AC					
2-10	XEBSN30P08000	J	Screw, x3	AA					
3	CDAi-A089WJ01	J	Stand Ass'y	BC					
3-1	CDAi-A089WJ02	J	Stand Base Ass'y	AZ					
3-1-1	<i>Not Available</i>	—	Stand Base	—					
3-1-2	GLEGGA029WJSA	J	Rubber Leg, x1	AF					
3-1-3	PSPAZA083WJZZ	J	Spacer, x2	AB					
3-2	JHNDPA004WJSA	J	Stand Handle	AT					
3-3	XESSN40P14000	J	Screw, x8	AA					
4	<i>Not Available</i>	—	13" LCD Panel Unit Ass'y	—					
4-1	RLCDDTA023WJZZ	J	13" LCD Panel Unit	CQ					
4-2	<i>Not Available</i>	—	Back Shield Ass'y	—					
4-2-1	PSLDMA253WJFW	J	Back Shield	AP					
4-2-2	TCAUZA031WJZZ	J	Caution Label	AB					
△ 4-3	KLMP-0120CEZZ	J	Lamp Unit	BD					
4-4	PGIDMA010WJZZ	J	Light Guide Plate	AY					
4-5	PMiR-0292CEZZ	J	Reflection Mirror(L), x2	AG					
4-6	PMiR-0293CEZZ	J	Reflection Mirror(S), x2	AF					
4-7	PSHEP0276CEZZ	J	Reflection/Deflection Sheet	BB					
4-8	PSHEP0277CEZZ	J	Prism Sheet	AV					
4-9	PSHEP0278CEZZ	J	Diffusion Sheet	AL					
4-10	PSHEP0279CEZZ	J	Reflection Sheet-1	AG					
4-11	PSHEP0280CEZZ	J	Reflection Sheet-2	AG					
4-12	PSHEP0306CEZZ	J	Reflection Sheet(Cover)	AC					
4-13	QCNW-B531WJQZ	J	Connecting Cord	AD					
4-14	QCNW-B532WJQZ	J	Connecting Cord	AF					
4-15	QCNW-B779WJQZ	J	Connecting Cord	AE					
4-16	PSLDMA284WJZZ	J	Shield, x2	AE					
4-17	PSPAKA014WJZZ	J	Spacer, x1	AD					
4-18	PMLT-A074WJZZ	J	Light Shielding Spacer	AD					
5	GCOVAA505WJKA	J	Bass Cone Cover	AD					
6	LCHSMA052WJKA	S	Chassis Frame(R)	AS					
7	LCHSMA055WJKA	J	Chassis Frame(L)	AL					
8	LHLDZA251WJKZ	J	Power Button Holder	AD					
9	LX-BZ3442CEF9	J	Screw, x4	AB					
10	QCNW-B528WJQZ	J	Connecting Cord	AG					
11	QCNW-B529WJQZ	J	Connecting Cord	AG					
12	QCNW-B534WJQZ	J	Connecting Cord	AF					
13	<i>Not Available</i>	—	Serial No. Label	—					
14	HiNDPA606WJSA	S	Model Label	AG					
15	XBBS930P05000	J	Screw, x1	AA					
16	XBPSN30P10JS0	J	Screw, x5	AB					
17	XBPSN30P18JS0	J	Screw, x3	AA					
18	XEBS930P14000	J	Screw, x7	AA					
19	XEBSN30P08000	J	Screw, x2	AA					
20	RCORFA009WJZZ	J	Core	AH					
21	RCORFA031WJZZ	J	Core	AH					
23	PSPAKA031WJZZ	J	Spacer, x1	AD					

# CABINET AND MECHANICAL PARTS





Ref. No.	Part No.	★	Description	Code
----------	----------	---	-------------	------

## CABINET AND MECHANICAL PARTS (LC-15S1E)

1	<i>Not Available</i>	—	Cabinet A Ass'y Unit	—
1-1	CCABAA373WJ02	S	Cabinet A Ass'y	BG
1-1-1	<i>Not Available</i>	—	Cabinet A	—
1-1-2	HDECQA269WJSA	J	R/C, LED Cover	AE
1-1-3	PSPAHA050WJZZ	J	Spacer(L), x2	AC
1-1-4	PSPAHA051WJZZ	J	Spacer(S), x2	AC
1-1-5	QEARZ0047CEZZ	J	Grounding Part	AC
1-2	QCNW-B662WJQZ	J	Connecting Cord(SP)	AH
1-3	VSP7530PB628B	J	Speaker, x2	AN
1-4	XEBSN30P08000	J	Screw, x6	AA
2	CCABBA267WJ02	S	Cabinet B Ass'y	BK
2-1	<i>Not Available</i>	—	Cabinet B	—
2-2	GCOVAA501WJKA	J	Terminal Cover	AK
2-3	GLEGGA027WJSA	J	Rubber Leg, x2	AF
2-4	JBTN-A182WJKA	J	Operation Button	AK
2-5	JBTN-A185WJKA	J	Power Button	AF
2-6	LANGF2155CEFW	J	Round Rock	AD
2-7	LANGTA079WJFW	J	Reinforcement Angle	AM
2-8	MSPRCA014WJFW	J	Power Button Spring	AB
2-10	XEBSN30P08000	J	Screw, x3	AA
3	CDAi-A088WJ01	J	Stand Ass'y	BA
3-1	CDAi-A088WJ02	J	Stand Base Ass'y	AZ
3-1-1	<i>Not Available</i>	—	Stand Base	—
3-1-2	GLEGGA029WJSA	J	Rubber Leg	AF
3-1-3	PSPAZA083WJZZ	J	Spacer, x2	AB
3-2	JHNDPA004WJSA	J	Stand Handle	AT
3-3	XESSN40P10000	J	Screw, x8	AB
4	<i>Not Available</i>	—	15" LCD Panel Unit Ass'y	—
4-1	RLCDDTA024WJZZ	J	15" LCD Panel Unit	CT
4-2	<i>Not Available</i>	—	Back Shield Ass'y	—
4-2-1	PSLDMA252WJFW	J	Back Shield	AR
4-2-2	TCAUZA031WJZZ	J	Caution Label	AB
△ 4-3	KLMP-0122CEZZ	J	Lamp Unit	BD
4-4	PGIDMA011WJZZ	J	Light Guide Plate	BA
4-5	PMiR-0294CEZZ	J	Reflection Mirror(L), x2	AG
4-6	PMiR-0295CEZZ	J	Reflection Mirror(S), x2	AF
4-7	PSHEP0281CEZZ	J	Reflection/Deflection Sheet	BE
4-8	PSHEP0282CEZZ	J	Prism Sheet	AY
4-9	PSHEP0283CEZZ	J	Diffusion Sheet	AL
4-10	PSHEP0284CEZZ	J	Reflection Sheet-1	AG
4-11	PSHEP0285CEZZ	J	Reflection Sheet-2	AG
4-12	PSHEP0307CEZZ	J	Reflection Sheet(Cover)	AC
4-13	QCNW-B530WJQZ	J	Connecting Cord	AE
4-14	QCNW-B531WJQZ	J	Connecting Cord	AD
4-15	QCNW-B532WJQZ	J	Connecting Cord	AF
4-19	PSLDMA284WJZZ	J	Shield, x1	AE
5	GCOVAA504WJKA	J	Bass Cone Cover	AD
6	LCHSMA047WJKA	J	Chassis Frame(R)	AL
7	LCHSMA052WJKA	S	Chassis Frame(L)	AS
8	LHLDZA251WJKZ	J	Power Button Holder	AD
9	LX-BZ3442CEF9	J	Screw, x4	AB
10	QCNW-B528WJQZ	J	Connecting Cord	AG
11	QCNW-B529WJQZ	J	Connecting Cord	AG
12	QCNW-B533WJQZ	J	Connecting Cord	AG
13	<i>Not Available</i>	—	Serial No. Label	—
14	HINDPA605WJSA	S	Model Label	AG
15	XBBS930P05000	J	Screw, x1	AA
16	XBPSN30P10JS0	J	Screw, x5	AB
17	XBPSN30P18JS0	J	Screw, x3	AA
18	XEBSN30P08000	J	Screw, x7	AA
19	XEBS930P14000	J	Screw, x2	AA
20	RCORFA009WJZZ	J	Core	AH
21	RCORFA031WJZZ	J	Core	AH
25	PSPAGA033WJZZ	J	Spacer, x1	AB
26	PSPAHA077WJZZ	J	Spacer, x3	AB
27	TLABSA028WJSA	S	GOST Label(LC-15S1E(R))	

Ref. No. Part No. ★ Description Code

**ACCESSORIES**

△	LHLDWA002WJSB	J	Cable Clamp, x1	AD
	QACCKA006WJPZ	J	AC Cord	AL
	RRMCGA074WJSA	J	Infrared R/C Unit	AU
	TGAN-1688CEN1	J	Guarantee Card (LC-13S1E(K),LC-15S1E(K))	AN
	TGAN-A077WJZZ	J	Guarantee Card (LC-13S1E(R),LC-15S1E(R))	AE
	TiNS-A839WJZZ	S	Operation Manual	BA
	TiNS-A840WJZZ	S	Operation Manual (LC-13S1E(R),LC-15S1E(R))	
	TLABSA028WJSA	S	GOST Label(for AC Adapter) (LC-13S1E(R),LC-15S1E(R))	
△	UADP-A043WJPZ	J	AC Adapter	BC

Ref. No. Part No. ★ Description Code

**PACKING PARTS  
(NOT REPLACEMENT ITEM)**

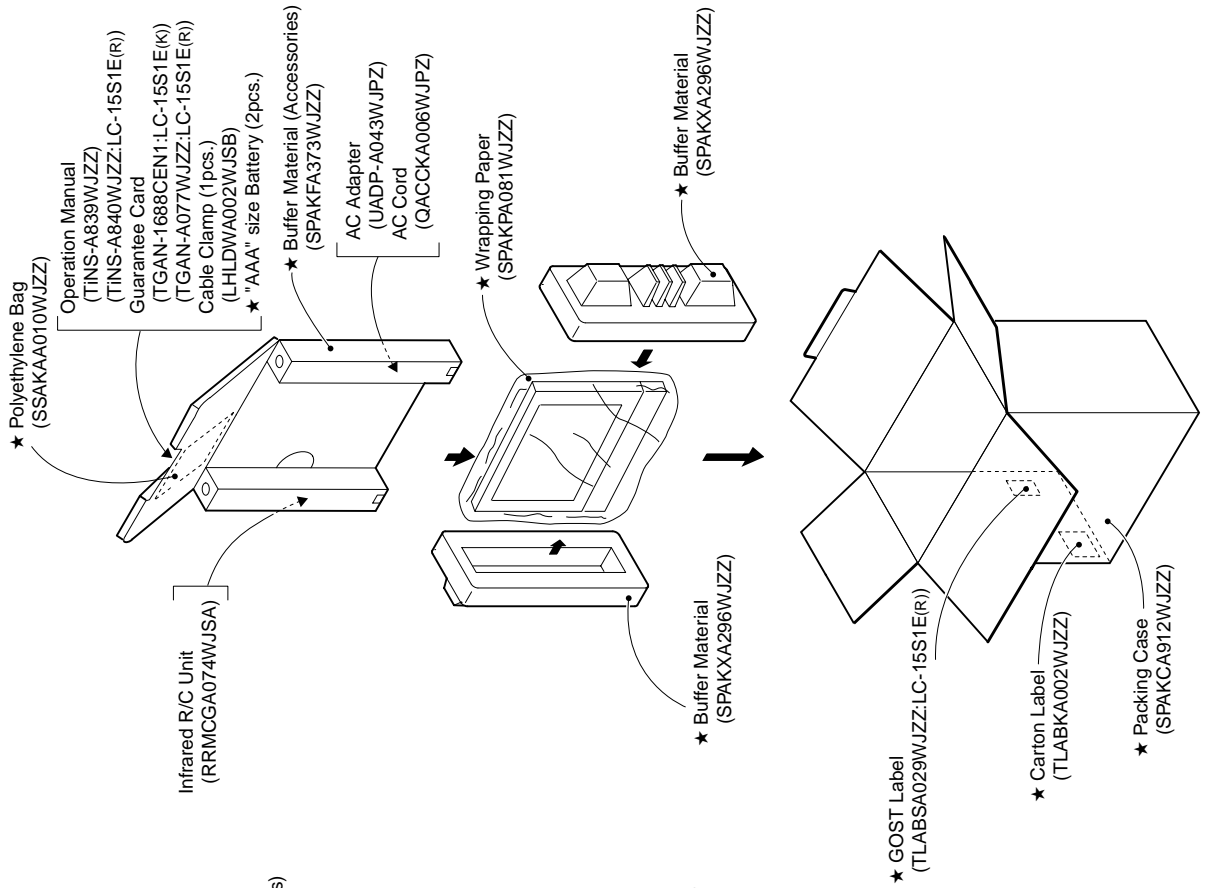
	SPAKCA912WJZZ	-	Packing Case(LC-15S1E)	—
	SPAKCA913WJZZ	-	Packing Case(LC-13S1E)	—
	SPAKFA373WJZZ	-	Buffer Material (Accessories)(LC-15S1E)	—
	SPAKFA374WJZZ	-	Buffer Material (Accessories)(LC-13S1E)	—
	SPAKPA061WJZZ	-	Wrapping Paper(LC-13S1E)	—
	SPAKPA081WJZZ	-	Wrapping Paper(LC-15S1E)	—
	SPAKXA296WJZZ	-	Buffer Material(LC-15S1E)	—
	SPAKXA297WJZZ	-	Buffer Material(LC-13S1E)	—
	SSAKAA010WJZZ	-	Polyethylene Bag	—
	TLABKA002WJZZ	-	Carton Label	—
	TLABN0134BMZZ	-	SEES No. Label	—
	TLABSA029WJZZ	-	GOST Label (LC-13S1E(R),LC-15S1E(R))	—

**SERVICE JIGS  
(USE FOR SERVICING)**

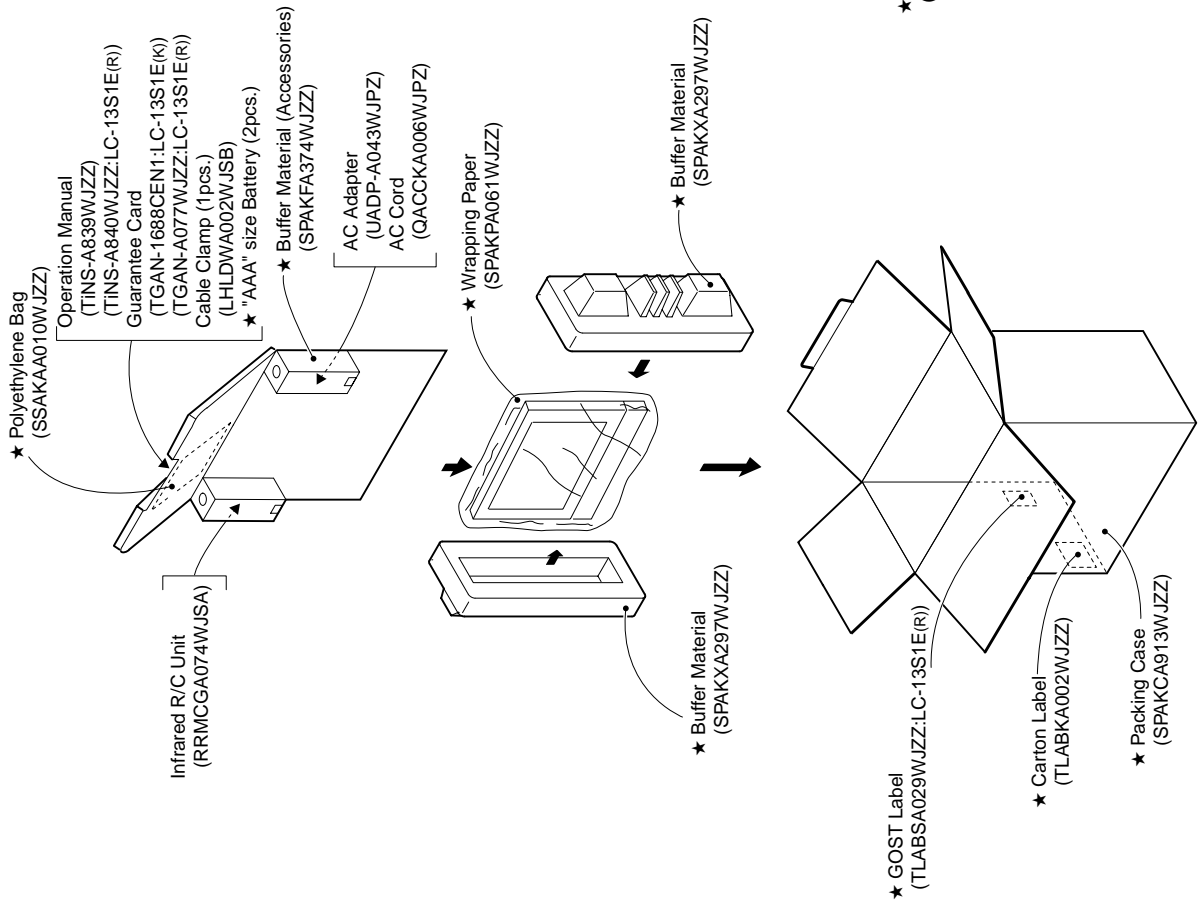
	QCNW-A369WJZZ	J	Extension Cable 50-pin Main(SC2001)-Tuner (SC3901)	AT
	QCNW-B594WJZZ	J	Extension Cable 13-pin Main(P701)-Tuner(P1900)	AX

# PACKING OF THE SET

## MODEL:LC-15S1E



## MODEL:LC-13S1E



# SHARP

**COPYRIGHT © 2003 BY SHARP CORPORATION**

ALL RIGHTS RESERVED.

No part of this publication may be reproduced, stored in a retrieval system, or transmitted in any form or by any means, electronic, mechanical, photocopying, recording, or otherwise, without prior written permission of the publisher.

TQ1628-S  
Sep. 2003 Printed in Japan

Design and Production Information

Design : Japan  
Production : SEES

MI. KG

SHARP CORPORATION  
AV Systems Group  
Quality & Reliability Control Center  
Yaita, Tochigi 329-2193, Japan

[www.s-manuals.com](http://www.s-manuals.com)