



PIÈCES DÉTACHÉES

Tondeuses autoportées



SNELT18/97

LT18400

2690404

SNLT20/102

LT2040

2690500

SNELT20/112

LT20440

2690283



Yvan Béal - 21, av. de l'Agriculture - B.P. 16
Z.I. du Brézet - 63014 Clermont-Ferrand Cedex 2
Tél : 04 73 91 93 51 - Télécopie : 04 73 90 23 11
www.yvanbeal.fr - E-mail : info@yvanbeal.fr
R.C.S. Clermont-Fd B 304 973 886 S.A.S. au capital de 612 000 €

03-000891-080613



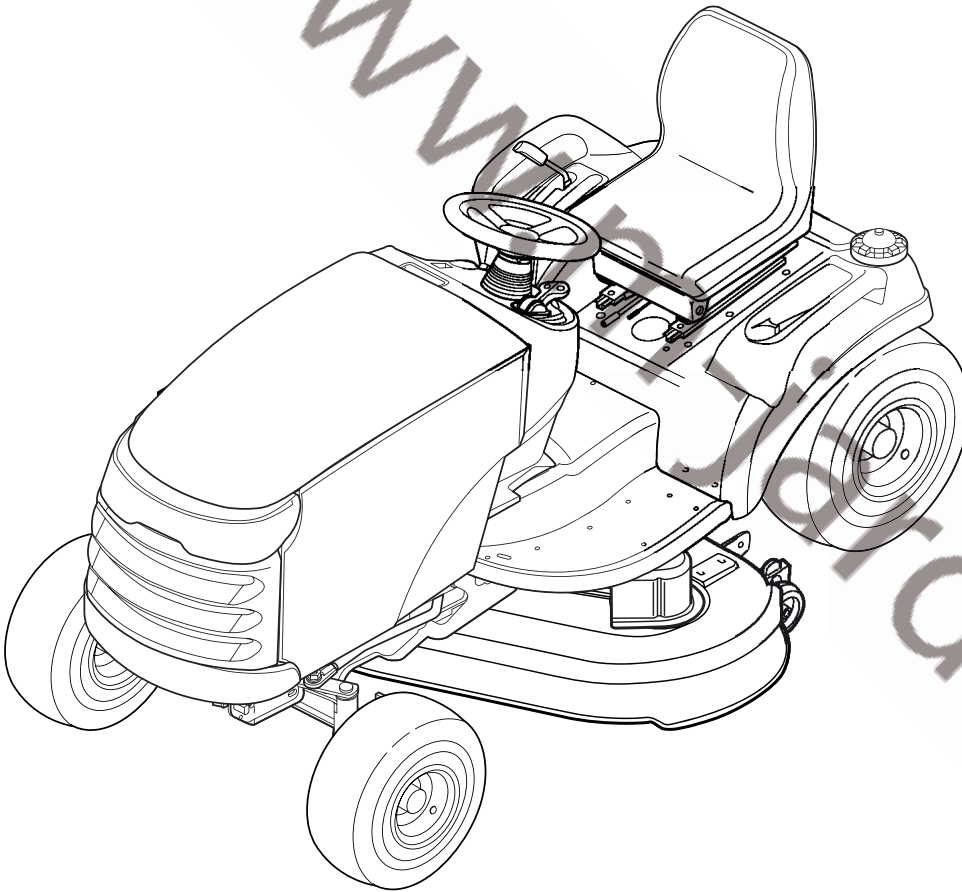
www.m-jardin.fr

Parts Manual for

SNAPPER®

LAWN TRACTOR ELECTRIC CLUTCH HYDRO DRIVE RMO SERIES 0

MODEL
LT1840 (1694808)
LT18400 (2690404)
LT2040 (2690500)
LT20440 (2690283)
YT2050 (1694637)

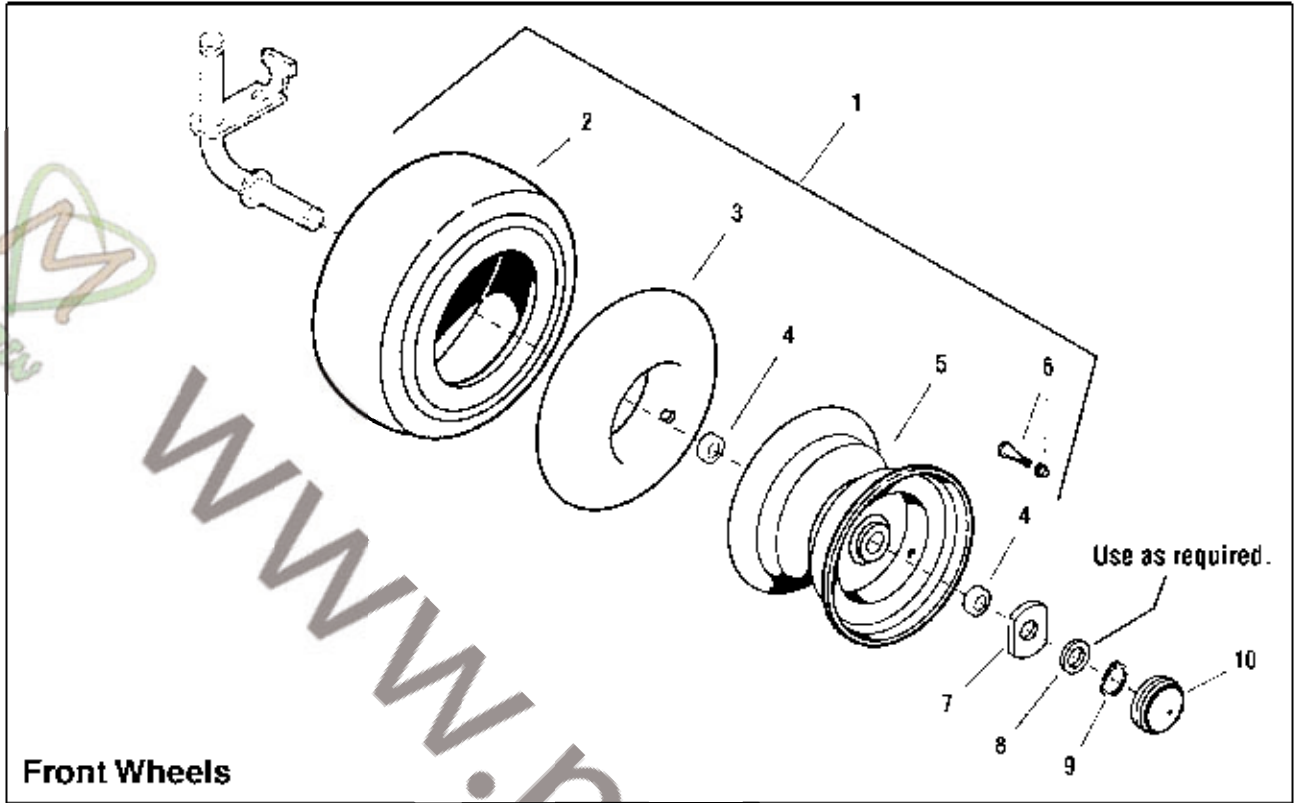


SNAPPER McDonough, GA, 30253 U.S.A.

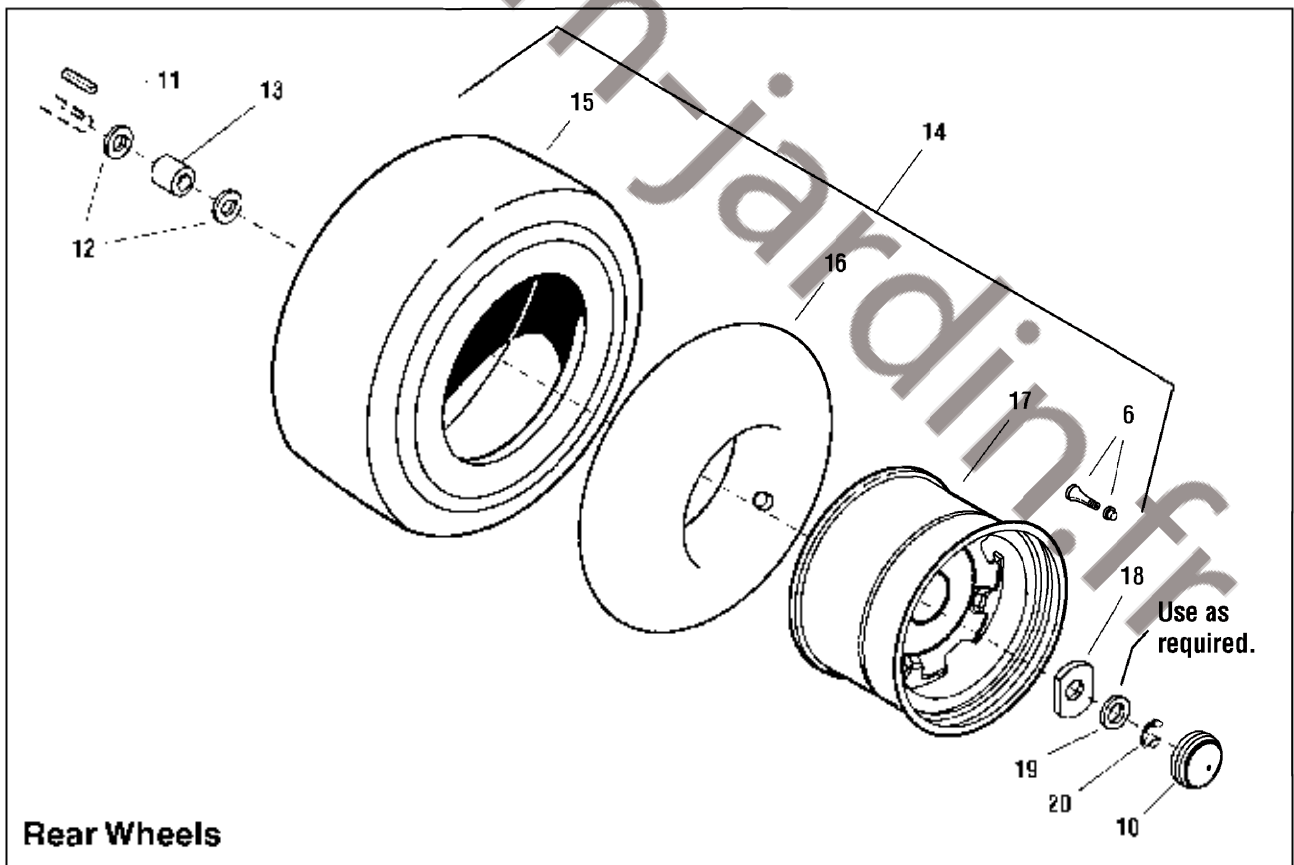


www.m-jardin.fr

PAGE	GROUP
4	Wheels & Tires Group
6	Hood, Grille & Dash Group
8	Steering Group - Manual Steering
10	Frame & Front Axle Group
14	Controls Group
18	Cruise Control Group
20	Transmission Group - Tuff Torq K-57
24	Transmission SERVICE PARTS - Tuff Torq K-57A
30	Seat & Seat Deck Group
32	Engine & Electric Clutch Group - 18HP & 20HP B&S, Vanguard
34	Lift Group - Manual Lift
36	Lift Group - Manual Lift with Cruise Control
38	40" Mower Deck - Housing, Arbors & Blades
42	40" Mower Deck - Housing, Arbors & Blades
46	40" Mower Deck - Belt, Idler Arm & Hitch
48	40" Mower Deck - Height Adjustment & Roller Bar
52	44" Mower Deck - Housing, Arbors & Blades
56	44" Mower Deck - Housing, Arbors & Blades
60	44" Mower Deck - Belt, Idler Arm & Hitch
62	44" Mower Deck - Height Adjustment
66	Decals Group
68	Electrical Group



Front Wheels



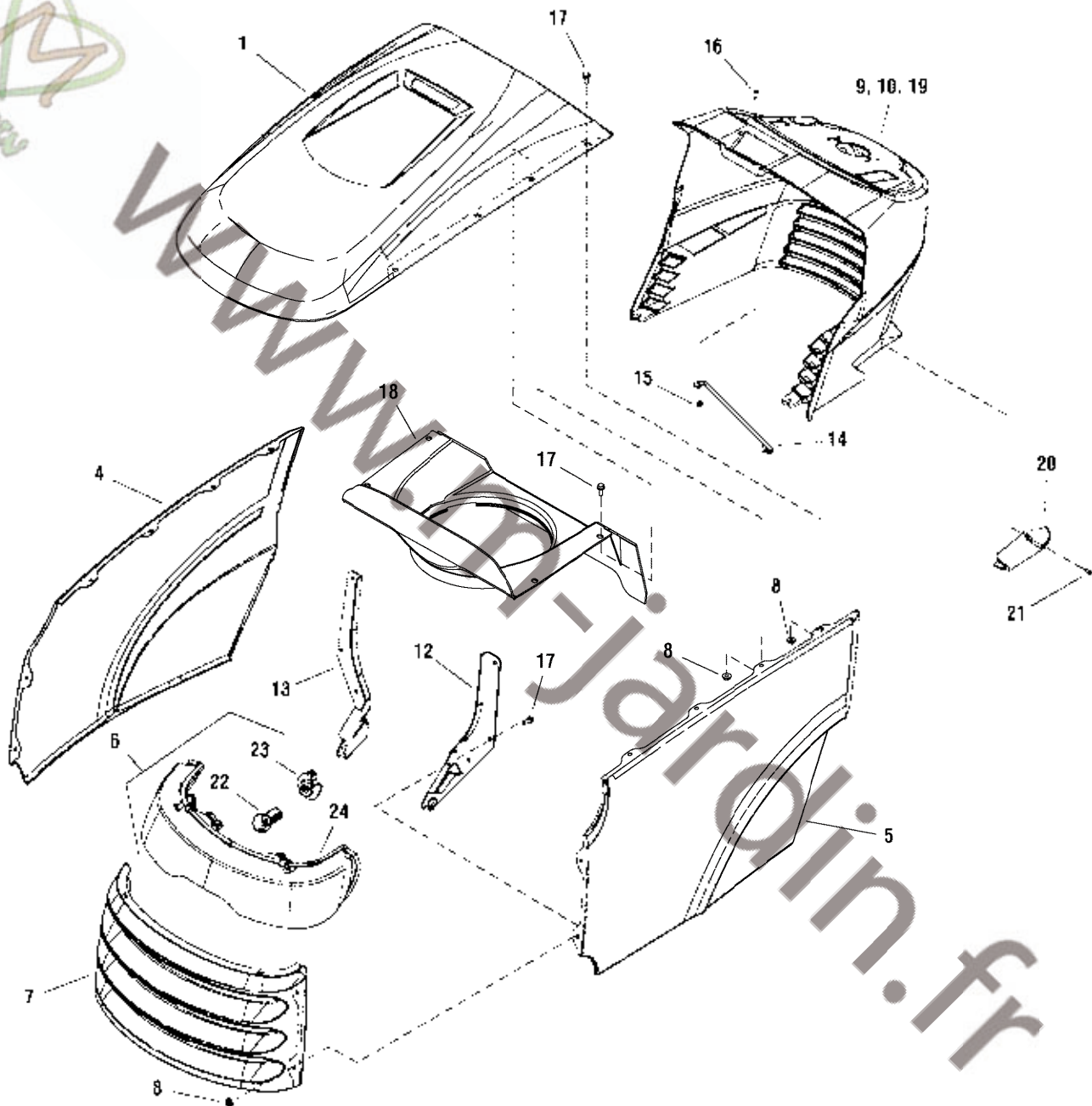
Rear Wheels

Wheels & Tires Group

Item	Part No	Qty	Description	Note
1	1722065	2	WHEEL & TIRE ASSEMBLY, Front, (Includes Ref. Nos. 2, 3, 4, 5, & 6)	
2	1722838	1	TIRE, 15 x 6, Super Turf	
3	1664090	1	TUBE, Tire, Front, 4.10/3.50	
4	1717056	2	BEARING, Ball	
5	1722837	1	WHEEL, 4-1/2" x 6"	
6	2172353	4	VALVE STEM & CAP ASSEMBLY	
7	1722726	2	WASHER, Special	
8	1919394	4	WASHER, 1	
9	2832577	2	RING, Retaining, External #98	
10	1722676	4	CAP, Hub, Gray	
11	1729279	2	KEY, Parellel, 3/16 x 3/16 x 1-1/2	
12	2860202	8	WASHER, 3/4	
13	1709527	2	SPACER	
14	1726491	2	WHEEL & TIRE ASSEMBLY, Rear, (Includes Ref. Nos. 6, 15, 16 & 17)	
15	1727136	1	TIRE, 22 x 10, 10 Super Turf	
16	2173477	1	TUBE, Tire, 20 x 8, Rear	
17	1726492	1	WHEEL, 7 x 9.97 Dia. 3/4 ID, Hub	
18	1722717	2	WASHER, Special	
19	1960114	2	WASHER, 3/4 x 1-1/16 x 5/64	
20	2827794	2	RING, "E" External	

Footnotes:

Hood, Grille & Dash Group

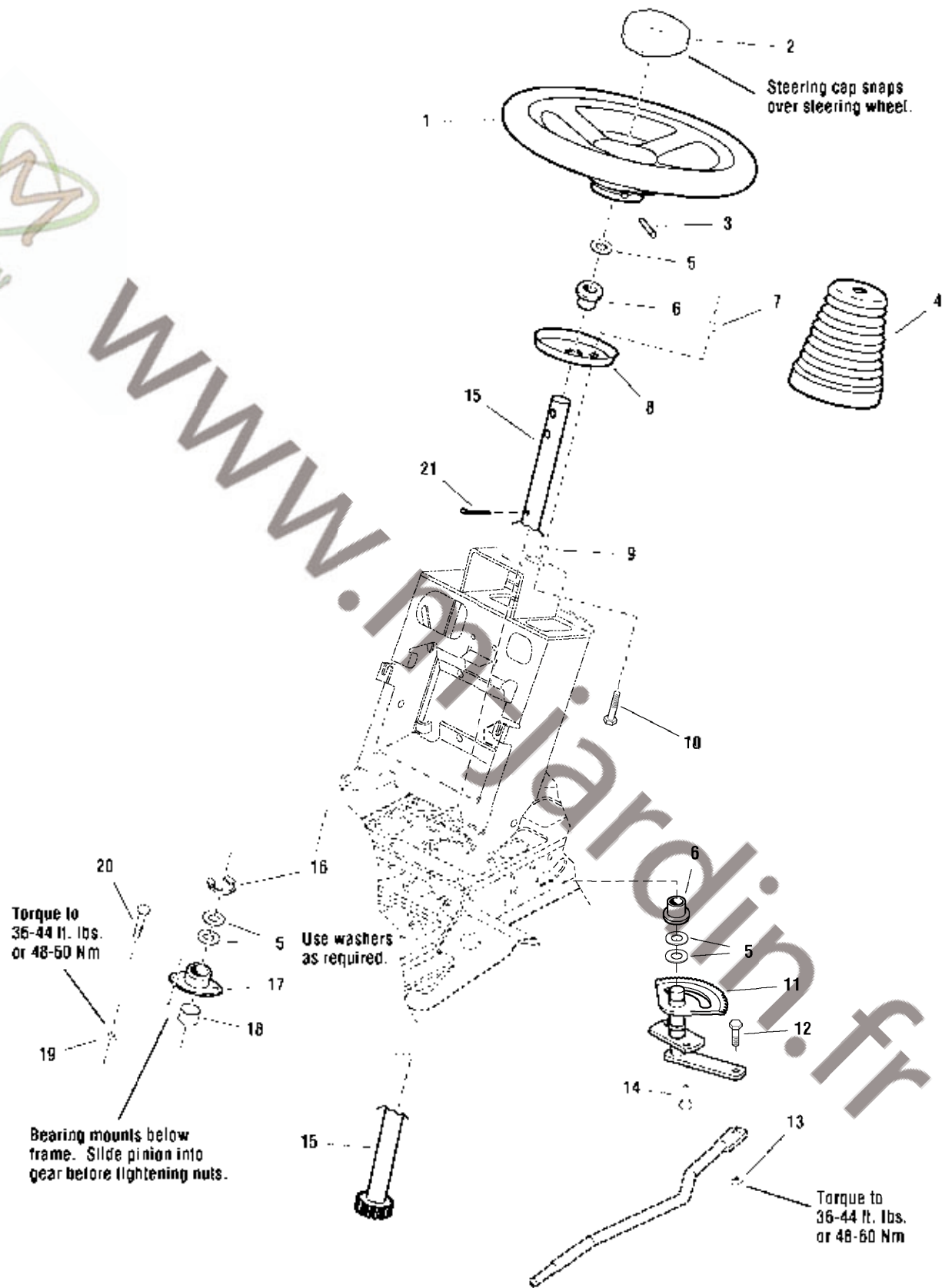


Hood, Grille & Dash Group

Item	Part No	Qty	Description	Note
1	1728031D	1	HOOD, W/Scoop	
4	1721804D	1	PANEL, R.H. Side	
5	1721803D	1	PANEL, L.H. Side	
6	1721810	1	HEADLIGHT ASSEMBLY	(Includes Ref. Nos. 22, 23 & 24)
7	1721802D	1	GRILLE	
8	1930641	12	NUT, Hex Flange 1/4-20 Whiz Lock	
9	1726827	1	DASHBOARD	(Used only on YT & LT models)
10	1726894	1	DASHBOARD, W/Hydraulic Lift Slot	(Used only on GT models)
12	1721808A	1	HINGE, Hood L.H.	
13	1721809A	1	HINGE, Hood R.H.	
14	1723123	1	ROD, Dash Support	
15	1933896	1	NUT, Hex Lock 10-24 w/Nylon Insert	
16	1960392	1	SCREW, Pan Head Phillips #10-24 x 1	
17	1960295	12	SCREW, Hex Whiz Lock Flange 1/4-20 x 5/8	
18	1733457A	1	DUCT, Air Inlet	
19	1726895	1	DASHBOARD, w/Buzzer Hole	(Used only on Barons models)
20	1722285	1	COVER, Dash	(Used only on Barons models)
21	1722607	1	SCREW, Pan Head Torx #8-16 x 1/2 Plastite	(Used only on Barons models)
22	1677371	4	BULB, Headlight	
23	1723451	4	SOCKET ASSEMBLY, Seal	
24	1722902	1	REFLECTOR, Headlight	

Footnotes:

Steering Group - Manual Steering

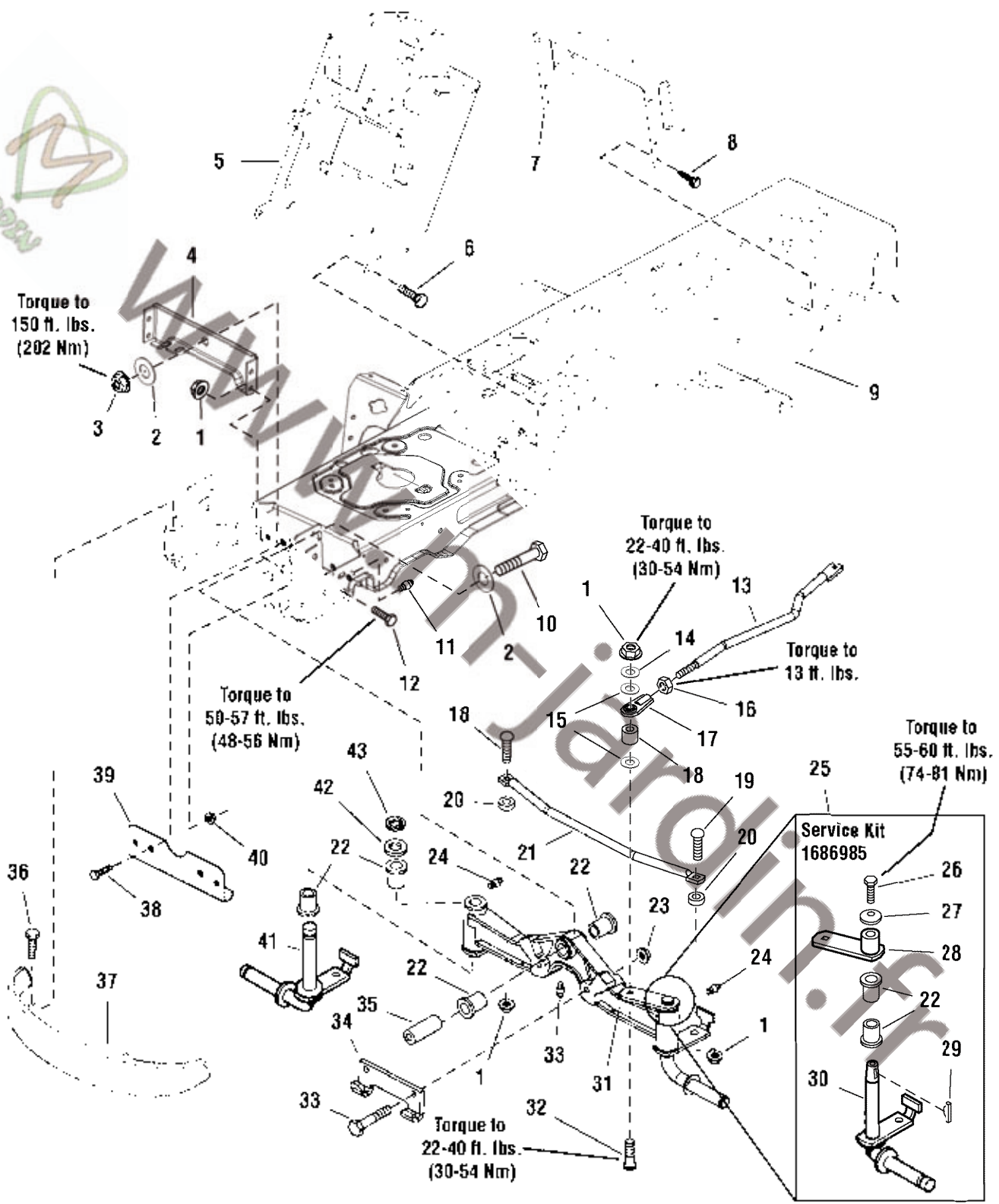


Steering Group - Manual Steering

Item	Part No	Qty	Description	Note
1	1722318	1	STEERING WHEEL, Straight, Shaft	
2	1725024	1	CAP, Steering Wheel, Plain	
3	1960540	1	PIN, Spring, 5/16 x 2-1/2	
4	1722749	1	COVER, Rubber, Upper Steering Shaft	
5	1960114	5	WASHER, 3/4	
6	2176440	2	BUSHING, 15/32 x 7/8 x 7/8, Nylon	
7	1960636	2	NUT, Hex KEPS 5/6-18	
8	1721736A	1	PLATE, Mounting Steering	
9	1933988	2	NUT, Push	
10	1960655	2	CARRIAGE BOLT, 5/16-18 x 1-1/4	
11	1724470A	1	GEAR & SHAFT ASSEMBLY, Steering	
12	1960032	1	CAPSCREW, Hex Head, 3/8-16 x 1-1/4, Black	
13	1930645	1	NUT, Hex Flange Two-Way Lock, 3/8-16	
14	1664847	2	CAPSCREW, Hex Washer Head Taptite, 5/16-18 x 3/4	
15	1721626	1	SHAFT & PINION ASSEMBLY, Steering Manual	
16	1611710	1	RING, Clipping Extension	
17	1722459	1	BEARING, 3/4 x 1-11/16 x 13/16, 3" Long Housing	
18	1722461	1	SPACER, 3/4 x 1-1/16 x 3/8, Powder Metal	
19	1931211	2	NUT, Hex Flange Whiz Lock, 3/8-16, Small	
20	1933260	2	CAPSCREW, Hex Whiz Lock Flange, 3/8-16 x 3/4, Black	
21	1919314	1	PIN, Cotter, 1-1/4, Black	

Footnotes:

Frame & Front Axle Group

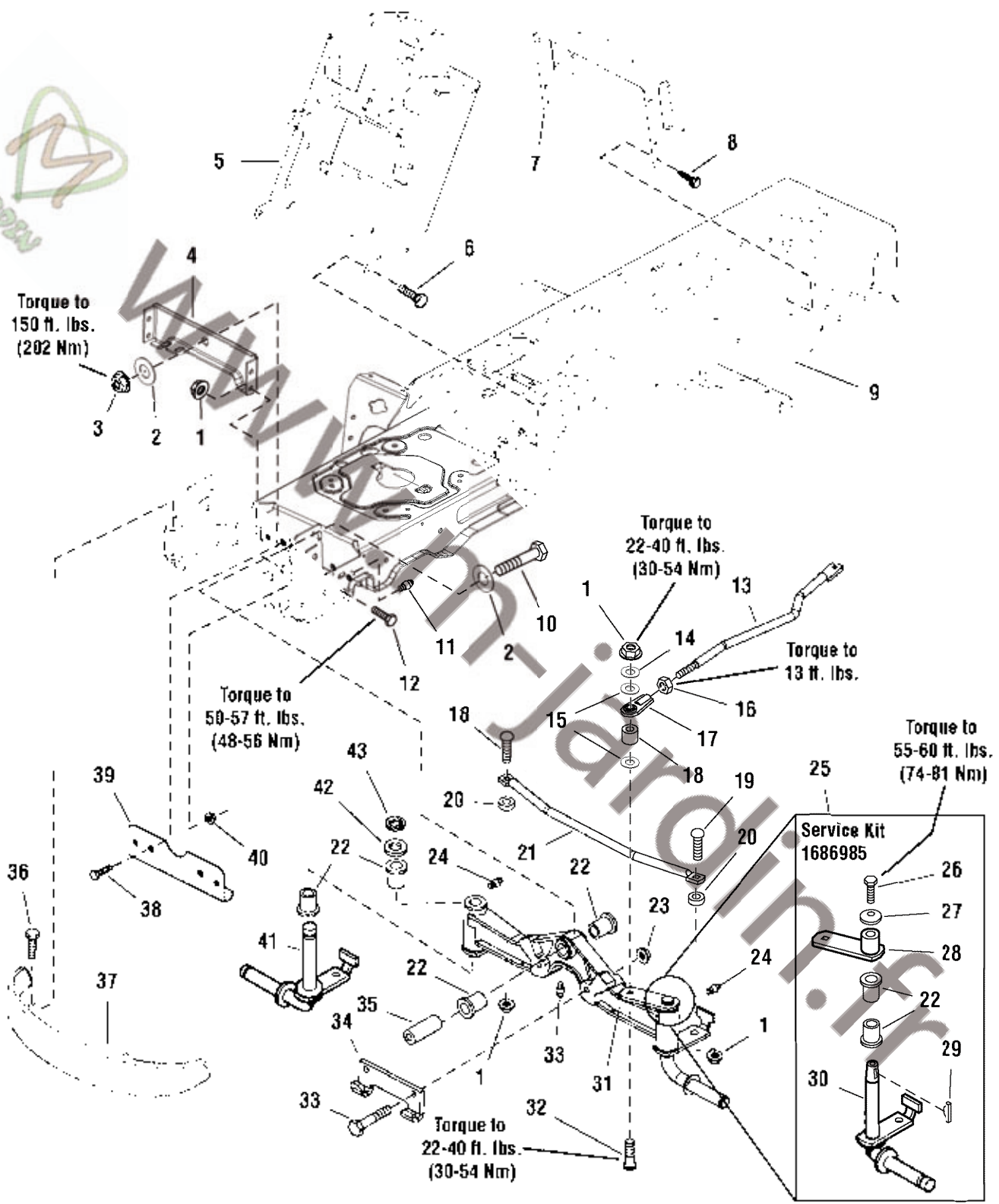


Frame & Front Axle Group

Item	Part No	Qty	Description	Note
1	1930645	7	NUT, Hex Flange Lock, 3/8-16	
2	1960035	2	WASHER	
3	2860646	1	NUT, Hex Flange, 5/8-11	
4	1722212A	1	PLATE, Axle	
5	1724081A	1	TOWER & SUPPORT ASSEMBLY	
6	1923683	4	CAPSCREW, Hex Head Taptite, 3/8-16 x 3/4	
7	1723528A	1	SUPPORT	
8	1664847	4	CAPSCREW, Hex Head Taptite, 5/16-18 x 3/4	
9	1726989A	1	FRAME ASSEMBLY	
10	2860645	1	CAPSCREW, 5/8-11 x 3-1/2	
11	1704314	2	FITTING, Grease for Wear Plate, 1/4-20, with Ball	
12	1933260	4	CAPSCREW, Hex Head, Flange Lock, 3/8-16 x 3/4	
13	1722541	1	LINK, Drag	
14	1922755	1	WASHER	
15	1960103	2	WASHER	
16	1919262	1	NUT, Hex Jam, 1/2-20	
17	1702779A	1	JOINT, Ball	
18	1708236	1	SPACER	
19	1931350	2	CARRIAGE BOLT, 3/8-16 x 1	
20	1611705	2	SPACER	
21	1722626A	1	ROD, Tie	
22	1721682	6	BUSHING	
23	1930650	2	NUT, Hex Flange Lock, 7/16-14	
24	1704314	3	FITTING, Lube	
25	1686985	1	SPINDLE REPLACEMENT KIT, LH (Includes Ref. Nos. 22, 26, 27, 28, 29 & 30)	
26	2823485	1	CAPSCREW, 3/8-16 x 7/8, GR8	
27	1663151	1	WASHER, Spring, 3/8	
28	1725112	1	HUB & ARM ASSEMBLY	
29	2830671	1	KEY, Woodruff	
30	1724264	1	SPINDLE, LH	
31	1722200A	1	AXLE ASSEMBLY, w/ LH Spindle, Complete (Includes Ref. Nos. 22, 24, 41, 42 & 43)	
32	1931352	1	CARRIAGE BOLT, 3/8-16 x 1-1/2	
33	1927531	2	CAPSCREW, Hex Head, 7/16-14 x 2, GR8	
34	1721918A	1	HOOK, "J"	
35	1721752	1	SPACER	
36	1960086	4	SCREW, Torx Head, 5/16-18 x 7/8	
37	1721805A	1	BUMPER, Black, Steel, Standard	

Footnotes:

Frame & Front Axle Group

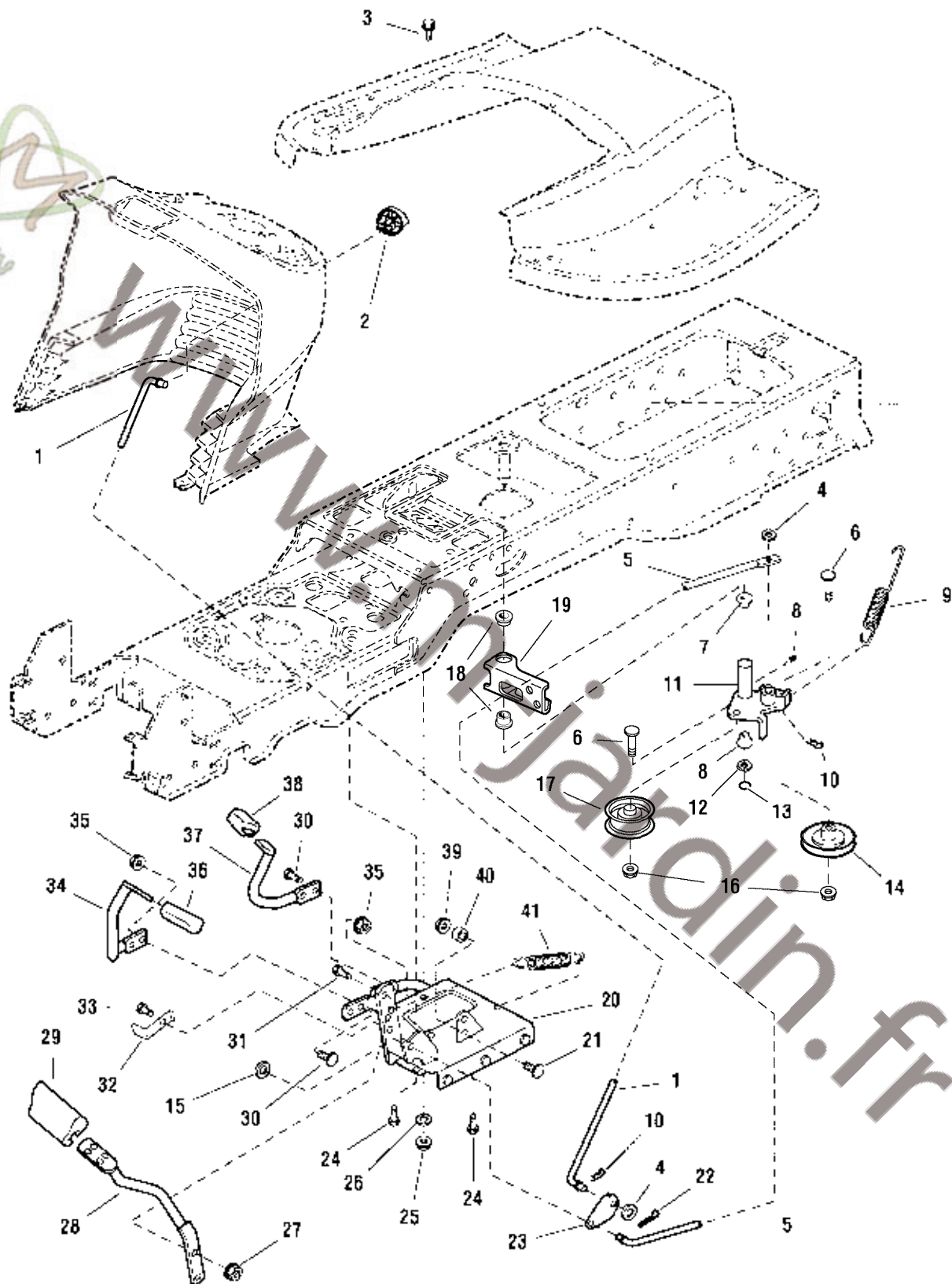


Frame & Front Axle Group

Item	Part No	Qty	Description	Note
37	1723502	1	BUMPER, Chrome, Optional	
38	1930591	2	CAPSCREW, Hex Whiz Lock, 5/16-18 x 3/4	
39	1724801A	1	PLATE, Axle Wear	
40	1931277	2	NUT, Hex Falnge Whiz Lock, 5/16-18	
41	1722199	1	SPINDLE, RH	
42	1919394	1	WASHER	
43	2832577	1	RETAINING RING	



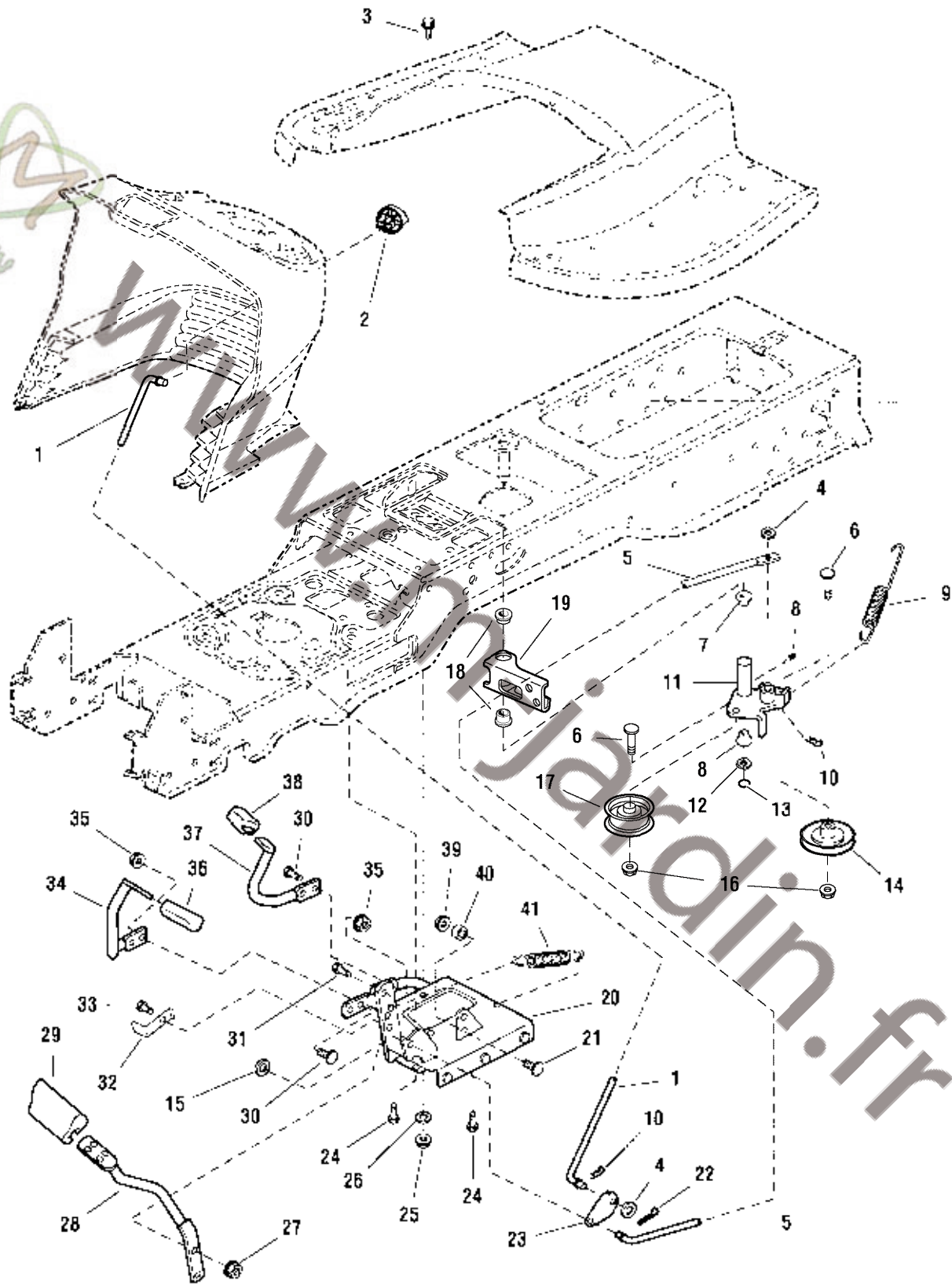
Footnotes:



Controls Group

Item	Part No	Qty	Description	Note
1	1721353	1	ROD, Brake Lock	
2	1721891	1	KNOB, Push On, Red Plastic "P"	
3	1930591	1	CAPSCREW, Hex Flange Whiz Lock, 5/16-18 x 3/4	
4	1919326	2	WASHER, 5/16, Black	
5	1721476	1	ROD, Brake	
6	1931353	2	CARRIAGE BOLT, 3/8-16 x 1 3/4	
7	1663114	2	BUSHING, 5/8 x 3/4 x 3/4, Nylon	
8	2821133	1	FITTING, Lube, 1/4	
9	1725250	1	SPRING, Extension	
10	1722460	3	PIN, Quick	
11	1724917	1	ARM & HUB ASSEMBLY, Idler	
12	1960020	1	WASHER, 5/8	
13	1704420	1	RING, Clipping Extension	
14	1721134	1	PULLEY, w/Bearing	
15	1924940	1	WASHER, 3/8	
16	1960687	2	NUT, Hex Flange ESNA, 3/8-16	
17	1721133	1	PULLEY, Idler	
18	1723237	2	BUSHING, 1 x 1-1/8 x 5/8, Nylon	
19	1722513	1	ARM, Brake	
20	1726763	1	PEDAL ASSEMBLY, Foot	
21	1931320	1	CARRIAGE BOLT, 1/4-20 x 1-1/4	
22	1918447	1	PIN, Cotter, Black	
23	1721354A	1	LATCH, Brake	
24	1664847	3	CAPSCREW, Hex Washer Head Taptite, 5/16-18 x 3/4	
25	1919438	1	NUT, Hex Lock ESNA Light, 5/16-18	
26	1919381	1	WASHER, 5/16, Black	
27	1927557	2	NUT, Hex Flange Whiz Lock Large, 5/16-18	
28	1722535A	1	PEDAL, Brake	
29	1721577	1	PAD, Brake Pedal	
30	1931334	4	CARRIAGE BOLT, 5/16-18 x 7/8	
31	1921333	2	CAPSCREW, 5/16-18 x 1	
32	1722083A	1	ACTUATOR, Switch 2.53" Long	
33	1923683	1	CAPSCREW, Hex Washer Head Taptite, 3/8-16 x 3/4	
34	1722070A	1	PEDAL, Forward	
35	1960636	4	NUT, Hex KEPS, 5/16-18	
36	1721675	1	PAD, Foot Pedal Forward	
37	1722071A	1	PEDAL, Reverse	

Footnotes:



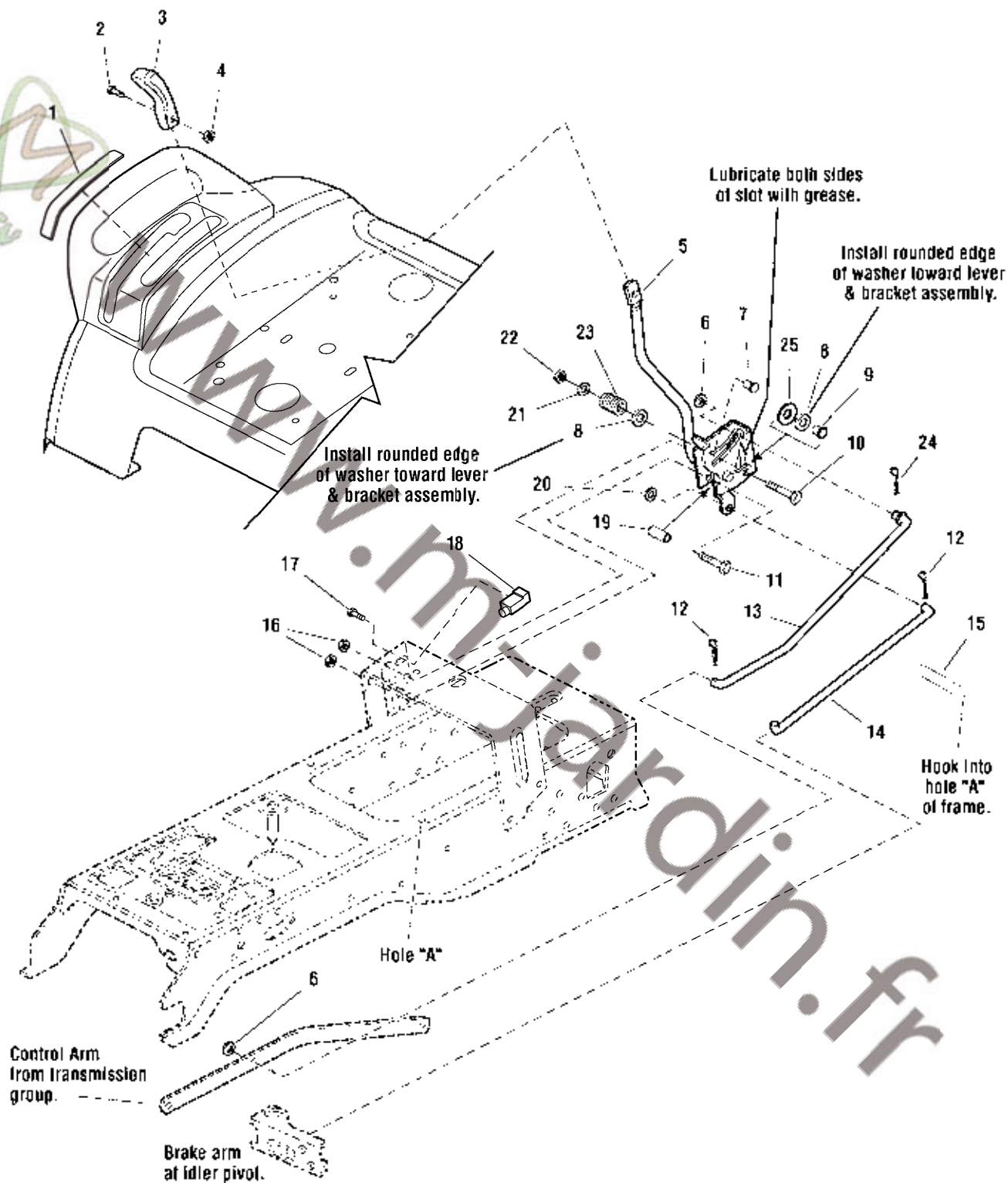
Controls Group

Item	Part No	Qty	Description	Note
38	1721674	1	PAD, Foot Pedal Reverse	
39	1920397	1	NUT, Hex Lock ESNA Light, 1/4-20	
40	1686612	1	CAM, Roller	
41	1721995	1	SPRING, Extension	



www.m-jardin.fr

Footnotes:

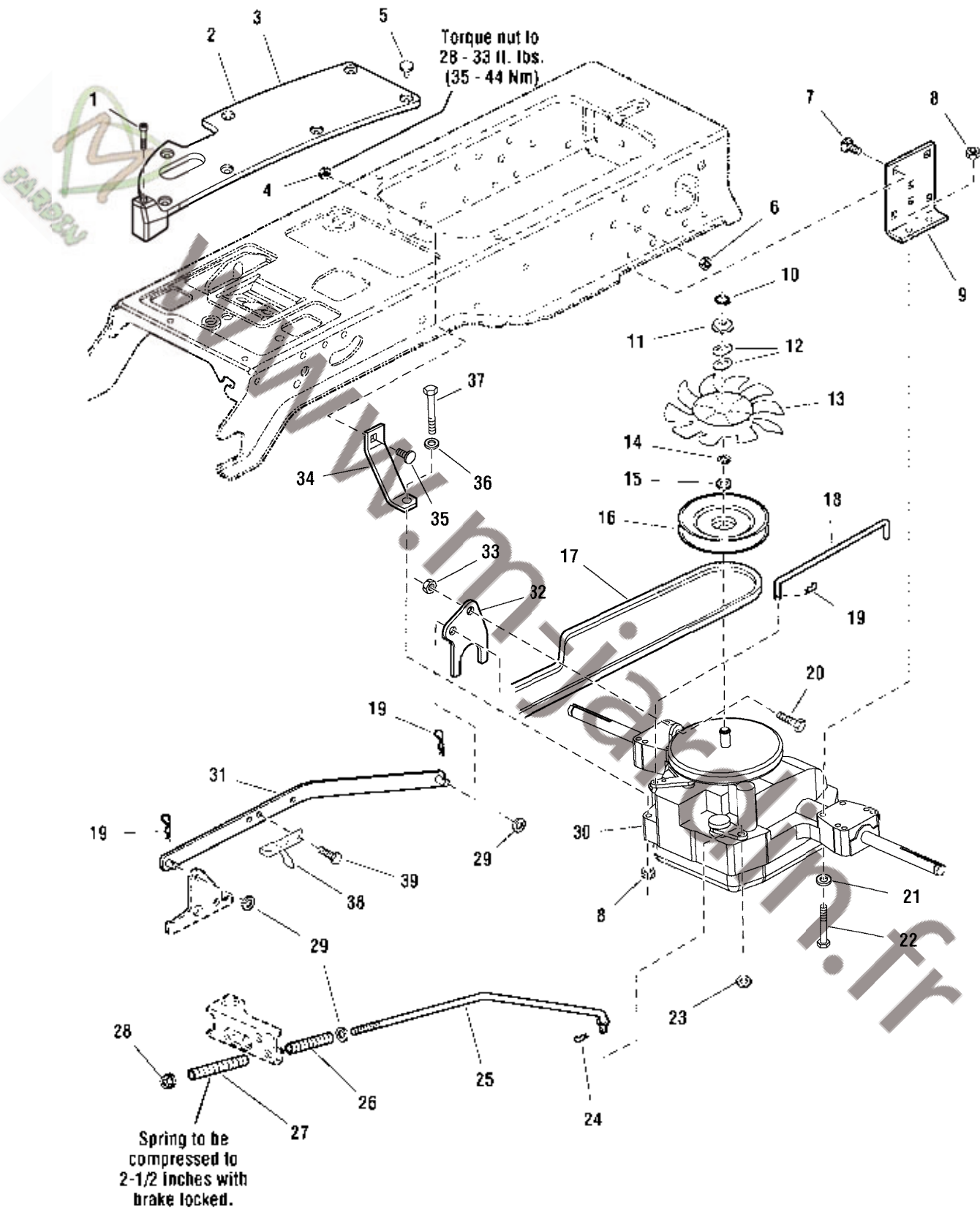


Cruise Control Group

Item	Part No	Qty	Description	Note
1	1723713	1	DECAL, Cruise & Lift	
2	1960666	1	SCREW, Torque Head Plus Socket Head, 1/4-20 x 7/8	
3	1722303	1	KNOB, Cruise	
4	1920397	1	NUT, Hex Lock ESNA Light, 1/4-20	
5	1722003	1	LEVER & BRACKET ASSEMBLY, Cruise	
6	1960103	2	WASHER, 3/8, Black	
7	1931333	1	CARRIAGE BOLT, 5/16-18 x 3/4	
8	2826192	2	WASHER, 9/16 x 1-1/4 x 1/8	
9	1709043	1	SPACER, w/Flange, 11/32 x 15/32 x 3/4	
10	1931342	1	CARRIAGE BOLT, 5/16-18 x 2 3/4	
11	1960273	1	CARRIAGE BOLT, 5/16-18 x 2-1/4	
12	1722460	2	PIN, Quick	
13	1722117	1	ROD, Cruise	
14	1722481	1	ROD, Return	
15	2159106	1	SPRING, Cruise Return to Frame	
16	1960636	2	NUT, Hex KEPS, 5/16-18	
17	1960001	2	CAPSCREW, Hex Washer Head Plastite, 10-14 x 5/8	
18	1717050	1	SWITCH, Push, Neutral Start, Gray	
19	1722080	1	SPACER, 11/32 x 5/8 x 1-13/32	
20	1919326	1	WASHER, 5/16, Black	
21	1919381	1	WASHER, 5/16, Black	
22	1919438	1	NUT, Hex Lock ESNA Light, 5/16-18	
23	1677746	1	SPRING, Compression	
24	1918447	1	PIN, Cotter	
25	1705928	1	DISC, Friction	

Footnotes:

Transmission Group - Tuff Torq K-57

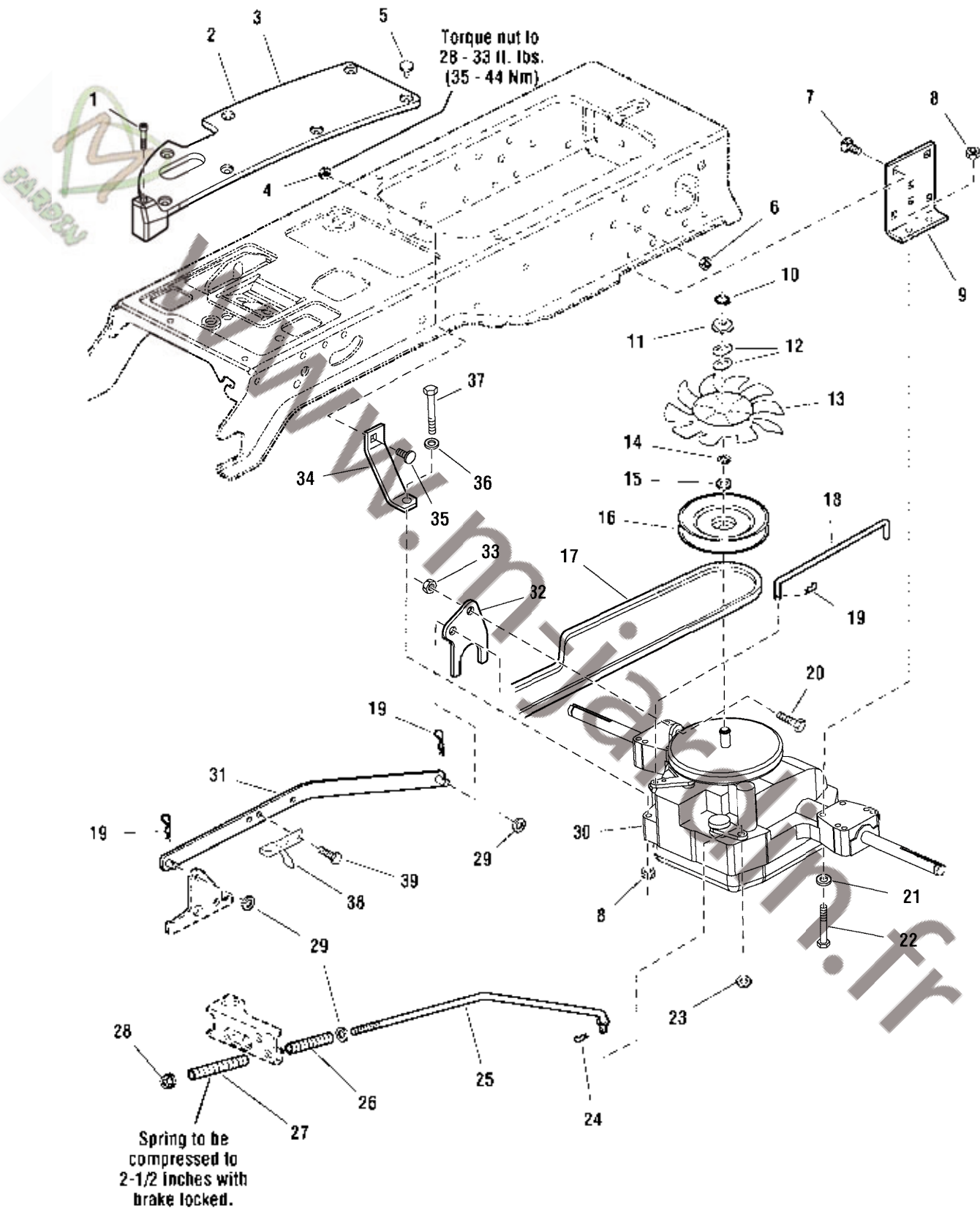


Transmission Group - Tuff Torq K-57

Item	Part No	Qty	Description	Note
1	1960676	2	SCREW, Pan Head Torx Taptite, 1/4-20 x 1-1/4, Black	
2	1722345	1	PAD, Footrest, LH, without Differential Lock	
3	1722173	1	PAD, Footrest, RH	
4	1960636	1	NUT, Hex KEPS, 5/16-18, Black	
5	1704351	15	FASTENER, Panel	
6	1960637	6	NUT, Hex KEPS, 3/8-16, Black	
7	1931350	6	CARRIAGE BOLT, 3/8-16 x 1, Black	
8	1960686	5	NUT, Hex Flange ESNA, 5/16-18, Black	
9	1721728A	2	SUPPORT, Transmission	
10	1724316	1	RING, Snap, Transmission	
11	1724312	1	COLLOR, Spline, Transmission	
12	1724315	2	LOCK WASHER, Transmission	
13	1724314	1	FAN, 10 Blade, Transmission	
14	1718076	1	RING, E Transmission	
15	1960027	2	WASHER, 1/2	
16	1721666	1	PULLEY & HUB ASSEMBLY	
17	1726841	1	V-BELT, Drive	
18	1726806	1	ROD, Transmission Release	
19	1722460	3	PIN, Quick	
20	1921332	1	CAPSCREW, Hex Head, 5/16-18 x 2	
21	1919326	4	WASHER, 5/16, Black	
22	1923141	4	CAPSCREW, Hex Head, 5/16-18 x 2-3/4, Black	
23	1918267	1	WASHER, 15/32 x 15/16, Black	
24	1918447	1	PIN, Cotter, Black	
25	1726871	1	ROD, Brake	
26	1722684	1	SPRING, Compression, 3-1/4" Long, Black	
27	1729277	1	SPRING, Compression, 3-5/8" Long, Black	
28	1960687	1	NUT, Hex Flange ESNA, 3/8-16, Black	
29	1924940	3	WASHER, 3/8, Black	
30	1722668	1	TRANSMISSION ASSEMBLY, K57, without Pulley	
31	1726803	1	CONTROL ARM ASSEMBLY	
32	1724423A	1	ARM, Control	
33	1960636	2	NUT, KEPS Lock, 5/16-18	
34	1721592A	1	STRAP, Torque	
35	1931335	1	CARRIAGE BOLT, 5/16-18 x 1, Black	
36	1960141	1	WASHER, 5/16, Black	
37	1921978	1	CAPSCREW, Hex Head, 5/16-18 x 2, Black	

Footnotes:

Transmission Group - Tuff Torq K-57



Transmission Group - Tuff Torq K-57

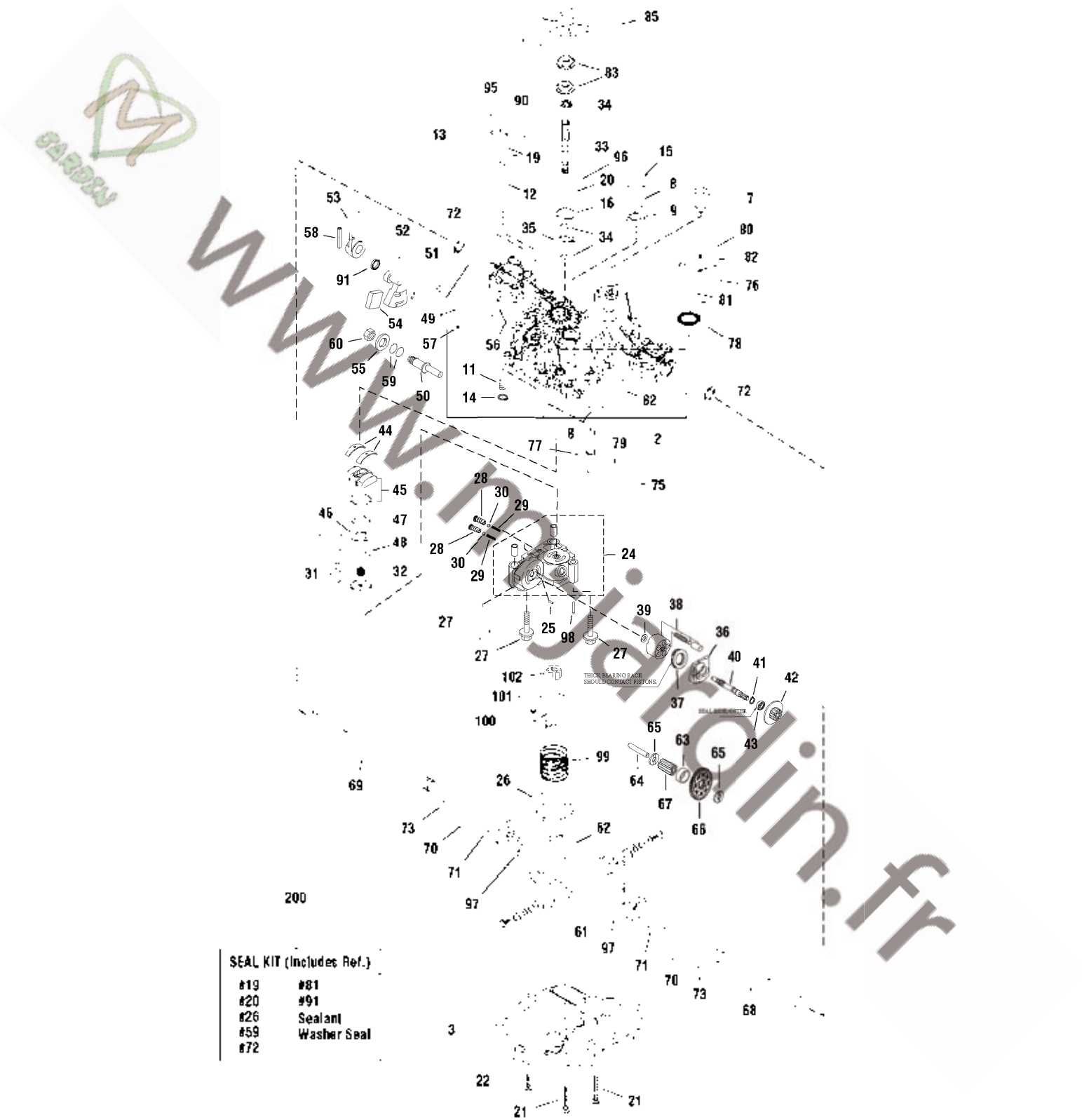
Item	Part No	Qty	Description	Note
38	1727215A	1	ACTUATOR, Switch	
39	1924856	2	CAPSCREW, Hex Head Taptite, 5/16-18 x 1/2	



www.m-jardin.fr

Footnotes:

Transmission SERVICE PARTS - Tuff Torq K-57A

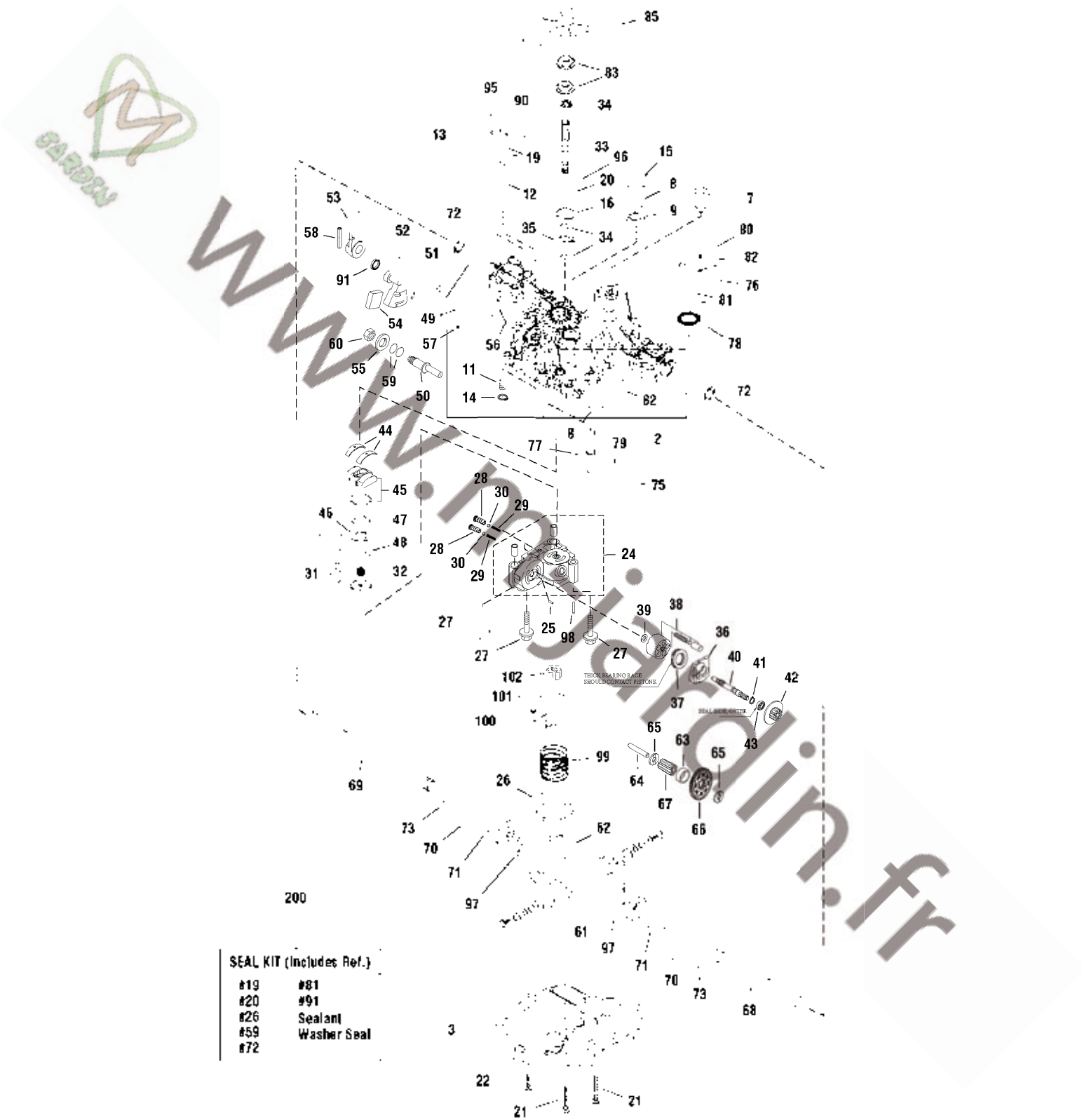


Transmission SERVICE PARTS - Tuff Torq K-57A

Item	Part No	Qty	Description	Note
2	1724951	1	HOUSING ASSEMBLY, UPPER	
3	1724938	1	HOUSING, LOWER	
7	1718052	1	VENT VALVE 15	
8	1724279	2	MAGNET, K50	
9	1724280	1	HOLDER, MAGNET	
11	1708684	1	SPRING	
12	1724281	1	SHAFT, BYPASS	
13	1720418	1	LEVER, BYPASS	
14	1718061	1	RING	
15	1724282	1	SEALING CAP	
16	1708650	1	RING 35	
19	1708691	2	PACKING	
20	1724283	1	SEAL TC	
21	1707789	14	SCREW, TAPPING	
22	1724284	2	SCREW, TAPPING	
24	1724939	1	CASE, CENTER	
25	1718070	1	PIN 3 x 9.8	
26	1724954	1	FILTER	
27	1720805	3	BOLT 10 x 75	
28	1724286	2	VALVE, IDS 1.0	
29	1724287	2	SPRING, IDS	
30	1724288	2	BALL, 3/16	
31	1724940	1	CYLINDER BLOCK ASSEMBLY	
32	1724290	1	SPRING, PUMP	
33	1724941	1	SHAFT, PUMP	
34	1718076	3	RING E15	
35	1708673	1	BEARING	
36	1718077	1	HOUSING	
37	1724942	1	BEARING, THRUST	
38	1724289	1	BLOCK, CYLINDER	
39	1718084	1	WASHER 12 x 24 x 1	
40	1724943	1	SHAFT, MOTOR	
41	1708672	1	RING 15	
42	1724944	1	GEAR, MOTOR	
43	1718083	1	BEARING 6202UC3	
44	1718089	2	THRUST METAL	
45	1720426	1	SWASH PLATE ASSEMBLY	
46	1718088	1	THRUST PLATE B	

Footnotes:

Transmission SERVICE PARTS - Tuff Torq K-57A

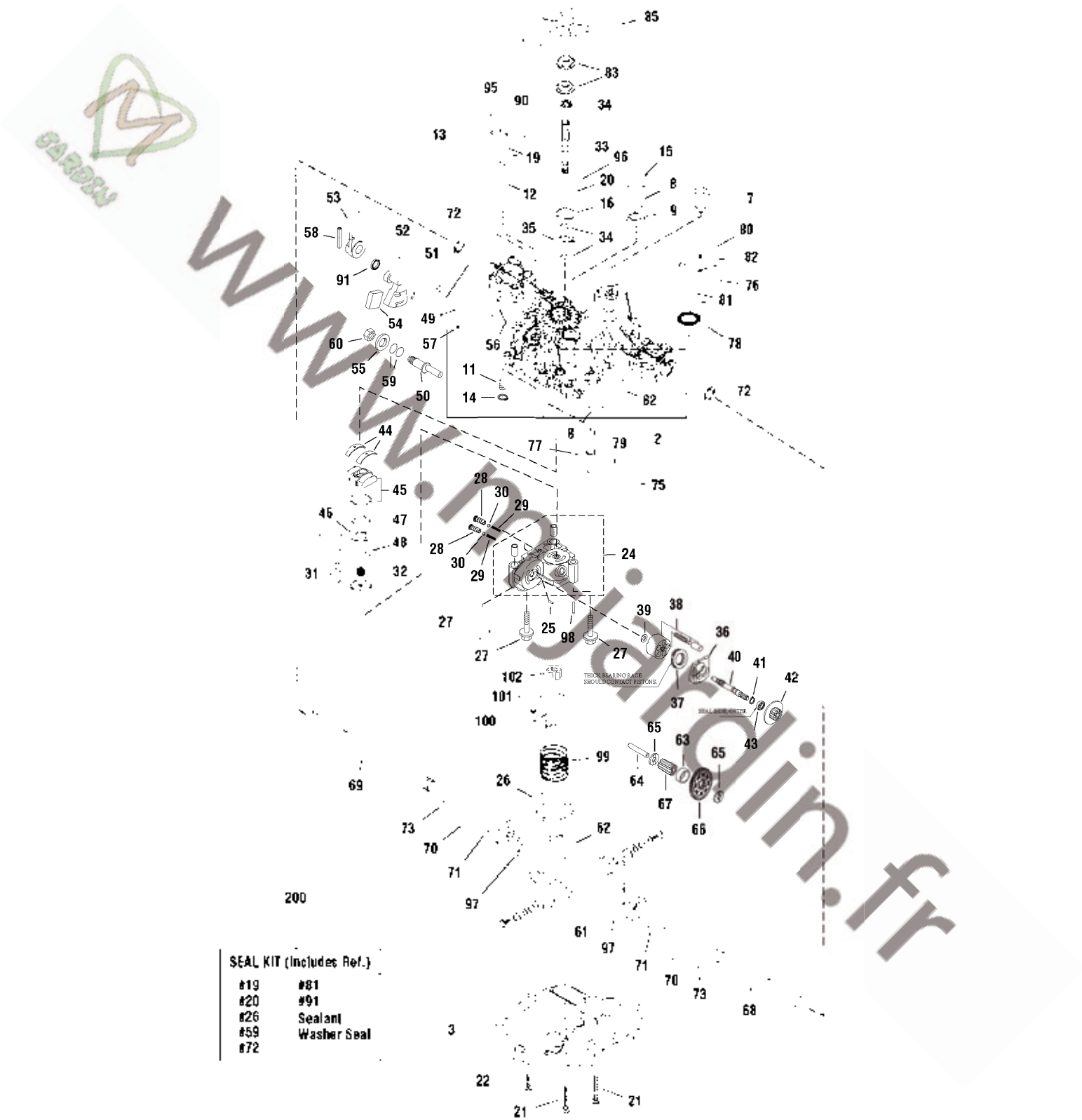


Transmission SERVICE PARTS - Tuff Torq K-57A

Item	Part No	Qty	Description	Note
47	1718086	1	BEARING K81105	
48	1718087	1	THRUST PLATE A	
49	1724343	1	SHAFT, CONTROL	
50	1724344	1	FULCRUM, ECCENTRIC	
51	1724345	1	SPRING, TORSION	
52	1724346	1	LEVER, CONTROL	
53	1724347	1	ARM, CONTROL	
54	1724348	1	PLATE, JERK	
55	1708689	1	WASHER	
56	1724349	1	PIN, COTTER	
57	1724296	1	PIN, SPRING	
59	1707879	2	PACKING	
58	1718100	1	PIN 6.0A x 4.0	
60	1708692	1	NUT 12	
61	1724955	1	GEAR & PINION ASSEMBLY	
62	1724945	1	GEAR, FINAL CONTR TRAC	
63	1724946	2	COLLAR, PINION	
64	1724947	1	SHAFT, REDUCTION	
65	1724948	2	WASHER, 12 x 32 x 3.2	
66	1724949	1	GEAR, REDUCTION	
67	1724950	1	PINION, FINAL	
68	1724304	1	SHAFT, AXLE RH	
69	1724303	1	SHAFT, AXLE LH	
70	1718112	2	WASHER, THRUST	
71	1718113	2	RING 17	
72	1718111	2	SEAL 19 x 32 x 8	
73	1718110	2	BUSHING 19 x 21	
75	1724305	1	SHOE, BRAKE	
76	1724306	1	ARM, BRAKE	
77	1724307	1	SHAFT, BRAKE	
78	1724308	1	SPRING, RETURN B	
79	1724309	1	BRAKE, ACTUATOR	
80	1724310	1	PIN	
81	1708690	2	PACKING	
82	1724311	2	PIN, SPRING	
83	1724312	2	COLLAR, SPLINE	
85	1724314	1	FAN	

Footnotes:

Transmission SERVICE PARTS - Tuff Torq K-57A



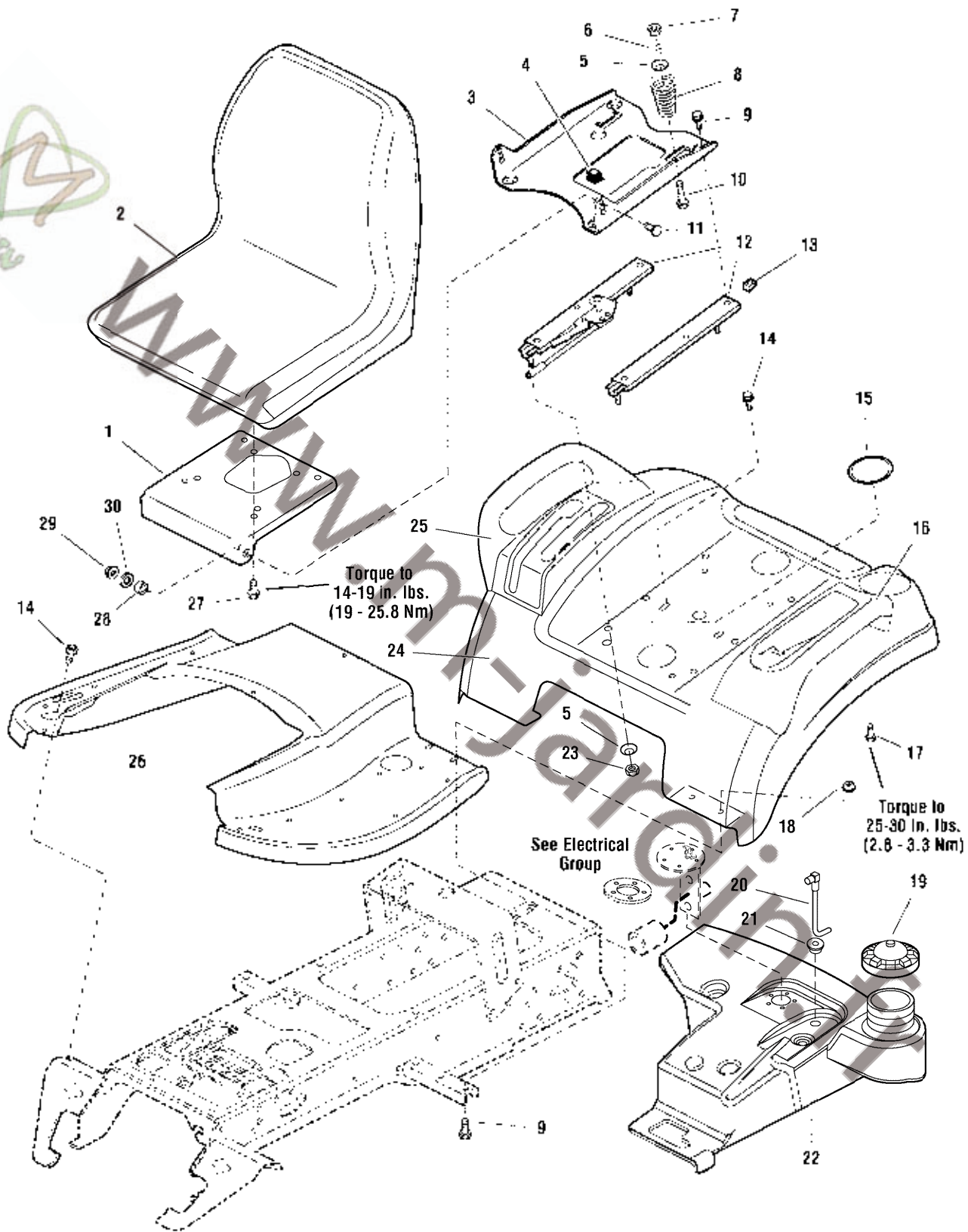
Transmission SERVICE PARTS - Tuff Torq K-57A

Item	Part No	Qty	Description	Note
86	1724315	1	LOCKWASHER	
87	1724316	1	RING, SNAP	
90	1720421	1	PIN 3.0A x 20	
91	1724318	1	OIL SEAL	
95	1707839	1	PIN, ROLL	
97	1724956	2	WASHER, THRUST DIFF	
98	1724958	2	PIN, 3.0A x 18	
99	1724957	1	SPRING, CHARGE	
100	1724953	1	CHARGE PUMP CASE ASSEMBLY	
200	1727542	1	K57 SMP SEAL KIT	

www.m-jardin.fr

Footnotes:

Seat & Seat Deck Group

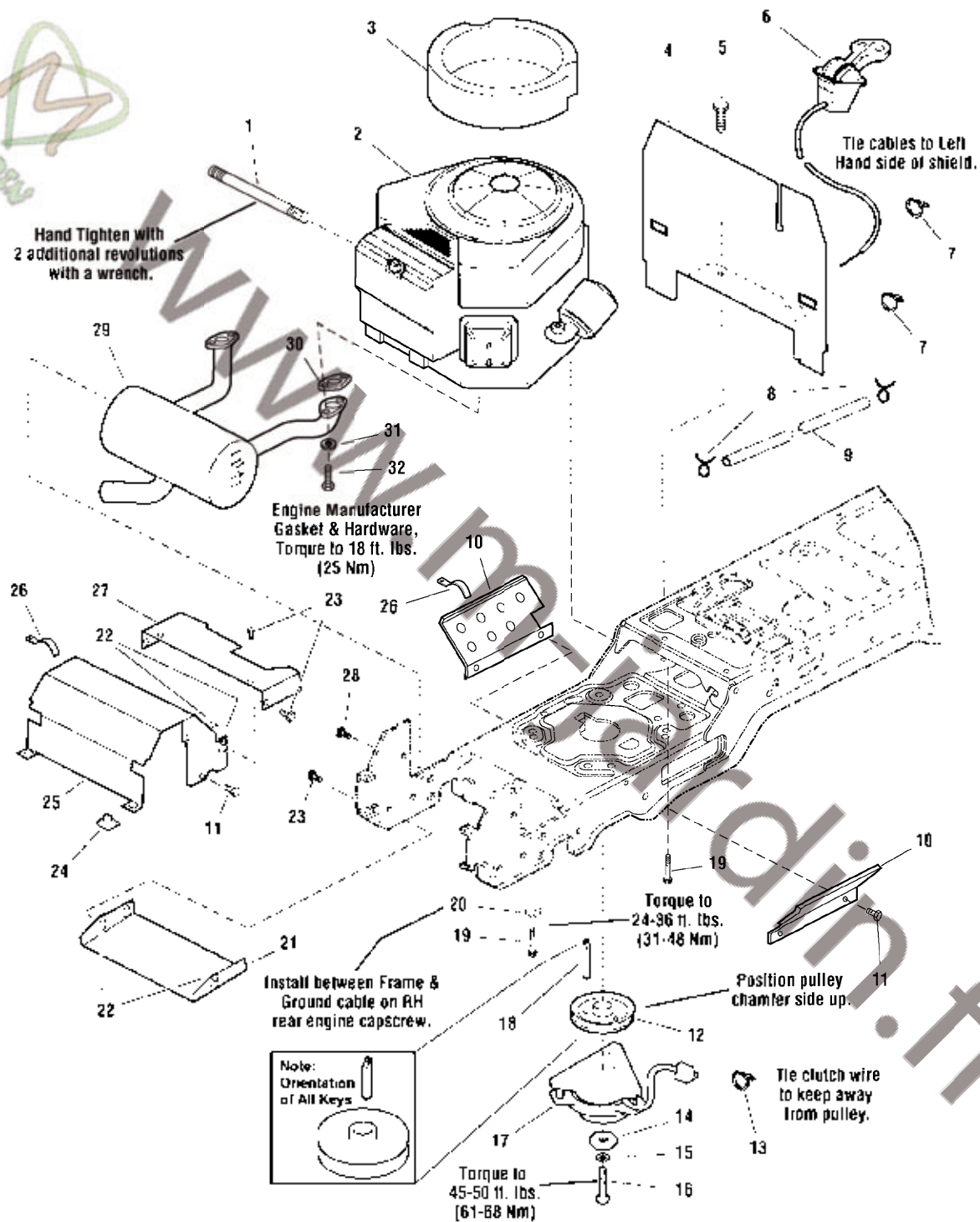


Seat & Seat Deck Group

Item	Part No	Qty	Description	Note
1	1722129A	1	BRACKET, 1-5/8 x 1-3/4	
2	1725019	1	SEAT, 15" Back	
3	1722128A	1	SUPPORT, Seat	
4	2172434	1	CLIP, Wire	
5	1709256A	2	WASHER, Spring, 5/16 x 1-1/4	
6	1714263	2	SPRING, Compression	
7	1919438	10	NUT, Hex Lock, ESNA Light, 5/16-18	
8	1717051	2	SPRING, Compression	
9	1930591	8	CAPSCREW, Hex Flange Whiz Lock, 5/16-18 x 3/4	
10	1931339	2	CARRIAGE BOLT, 5/16-18 x 2	
11	1931350	2	CARRIAGE BOLT, 3/8-16 x 1	
12	1722356	1	SLIDE, Seat	
13	1935255	4	NUT, Speed, 5/16-18, Lug Type	
14	1930601	4	CAPSCREW, Hex Washer Head Taptite, 5/16-18 x 5/8	
15	1722309	2	PLUG, Plastic	
16	1722109	1	POD, with Cup Holder, LH	
17	2860664	8	CAPSCREW, Hex Washer Head, 1/4-20 x 5/8	
18	1931277	4	NUT, Hex Flange Whiz Lock, 5/16-18	
19	1715917	1	CAP, Gas	
20	1726902	1	TUBE & ELBOW ASSEMBLY	
21	1654930	1	BUSHING, 3/8 x 9/16 x 5/8, Rubber	
22	1722432	1	TANK, Fuel	
23	1960636	8	NUT, Hex KEPS, 5/16-18	
24	1722106D	1	DECK, Seat, Red	
25	1722108	1	POD, RH with 2 Slots	
26	1729322D	1	TUNNEL, Red	
27	1960667	8	CAPSCREW, Hex Flange Whiz Lock Dog Point, 5/16-18 x 1	
28	1663752	2	SPACER, 25/64 x 5/8 x 3/16, Hardened	
29	1930645	2	NUT, Hex Flange Two-Way Lock, 3/8-16	
30	1924940	2	WASHER, 3/8	

Footnotes:

Engine & Electric Clutch Group - 18HP & 20HP B&S, Vanguard

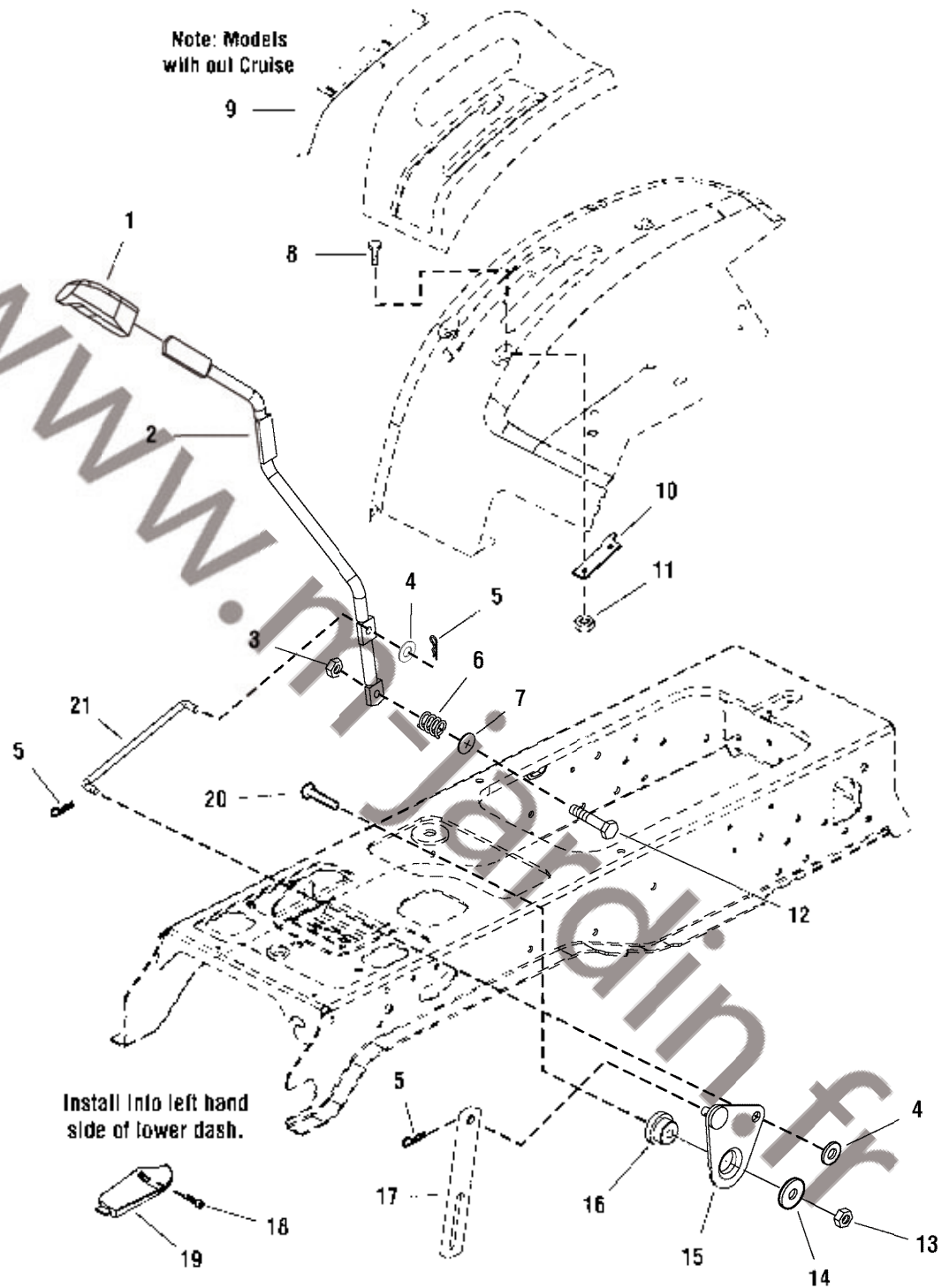


Engine & Electric Clutch Group - 18HP & 20HP B&S, Vanguard

Item	Part No	Qty	Description	Note
1	1723165	1	HOSE, Oil Drain, 10-1/2" Long, 3/8-18 Fittings	
2		1	* ENGINE, 18HP Briggs & Stratton Vanguard Twin, Mod. 356777-0113-E1	
2		1	* ENGINE, 20HP Briggs & Stratton Vanguard Twin, Mod. 358777-0110-E1	
3	1722949	1	SEAL, Circle, 18HP & 20HP	
4	1722388A	1	BULKHEAD	
5	1925003	2	CAPSCREW, Hex Washer Head Taptite, 1/2-20 x 1/2, Black	
6	1727223	1	CONTROL, Throttle Double 39" Long w/Knobs	
7	1701011	2	TIE, Wire, 7-5/16" Long	
8	2860112	2	CLAMP, Hose Type E	
9	1718678	1	HOSE, Fuel, 59" Long	
10	1722392A	2	SHIELD, Side	
11	1929000	8	CAPSCREW, Hex Washer Head Taptite, 1/4-20 x 3/8	
12	1722288	1	PULLEY & HUB ASSEMBLY	
13	2832747	1	TIE, Self Locking, 3-5/8 Long	
14	1708264	1	WASHER, Hex, 7/16, Black	
15	1918199	1	LOCKWASHER, 7/16	
16	1960649	1	CAPSCREW, Hex Head, 7/16-20 x 3-1/2, 20HP	
16	1960648	1	CAPSCREW, Hex Head, 7/16-20 x 2-3/4, 20HP	
17	1686883	1	CLUTCH, Electric, 18HP	
17	1686880	1	CLUTCH, Electric, 20HP	
18	1720463	1	KEY, HI PRO, 1/4 x 2 1/2	
19	2830598	4	CAPSCREW, Hex Washer Head Taptite, 3/8-16 x 1-1/2	
20	2820427	1	LOCKWASHER, External Tooth, 3/8	
21	1722414A	1	SHIELD, Muffler Bottom	
22	1960368	8	NUT, Speed, 1/4-20, Lug	
23	1960295	4	CAPSCREW, Hex Flange Whiz Lock, 1/4-20 x 5/8	
24	1935255	2	NUT, Speed, 5/16-18, Lug, Black	
25	1722389A	1	DUCT, Muffler Top	
26	2834683	2	CLIP, Wire 1/8	
27	1722390A	1	DUCT, Muffler Extension	
28	1924856	2	CAPSCREW, Hex Washer Head Taptite, 5/16-18 x 1/2, Black	
29	1722625	1	MUFFLER, Briggs & Stratton, Vanguard Twin	
30		1	* GASKET, Briggs & Stratton, Vanguard Twin	
31	1917356	4	LOCKWASHER, 5/16	
32	2860660	4	CAPSCREW, Hex Flange Whiz Lock, 5/16-18 x 7/8	

Footnotes:

Note* See your local Briggs & Stratton distributor for parts and service.

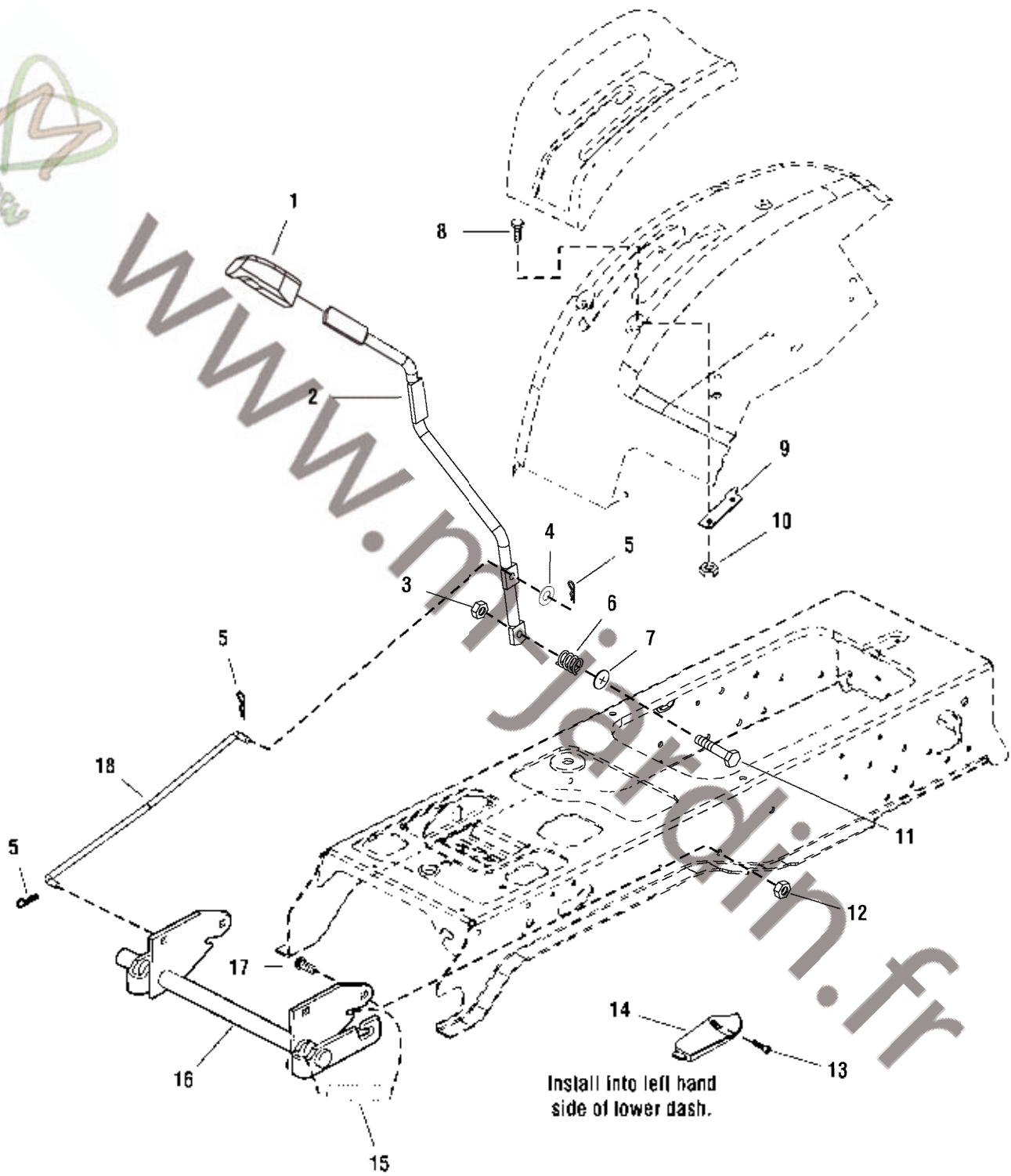


Lift Group - Manual Lift

Item	Part No	Qty	Description	Note
1	1722302	1	GRIP, Black Vinyl	
2	1722024A	1	ROD, Lift Lever with Flats	
3	1930645	1	NUT, Hex Flange Lock, 3/8-16	
4	1924940	1	WASHER	
5	1722460	2	PIN, Quick	
6	2162085	1	SPRING, Compression	
7	1723866	1	NUT, Push, 3/8	
8	1923341	2	CAPSCREW, Hex Head, 1/4-20 x 3/4	
9	1722313	1	PLUG, Lift Cover (Models without Cruise Control)	
10	1722284A	1	QUADRANT	
11	1920397	2	NUT, Hex Lock ESNA, 1/4-20	
12	1923701	1	CAPSCREW, Hex Head, 3/8-16 x 2	
13	1919438	4	NUT, ESNA Lock, 5/16-18	
14	1960044	1	WASHER, Flat, 5/16 x 1-1/4	
15	1722491	1	CAM ASSEMBLY, Lift	
16	1704629	1	SPACER	
17	1727083A	1	LINK, Lift Upper	
18	1722607	1	SCREW, Torx Head, # 8-16 x 1/2	
19	1722285	1	COVER, Dash	
20	1921977	4	CAPSCREW, Hex Head, 5/16-18 x 1-1/4	
21	1721789	1	ROD, Lift	

Footnotes:

Lift Group - Manual Lift with Cruise Control

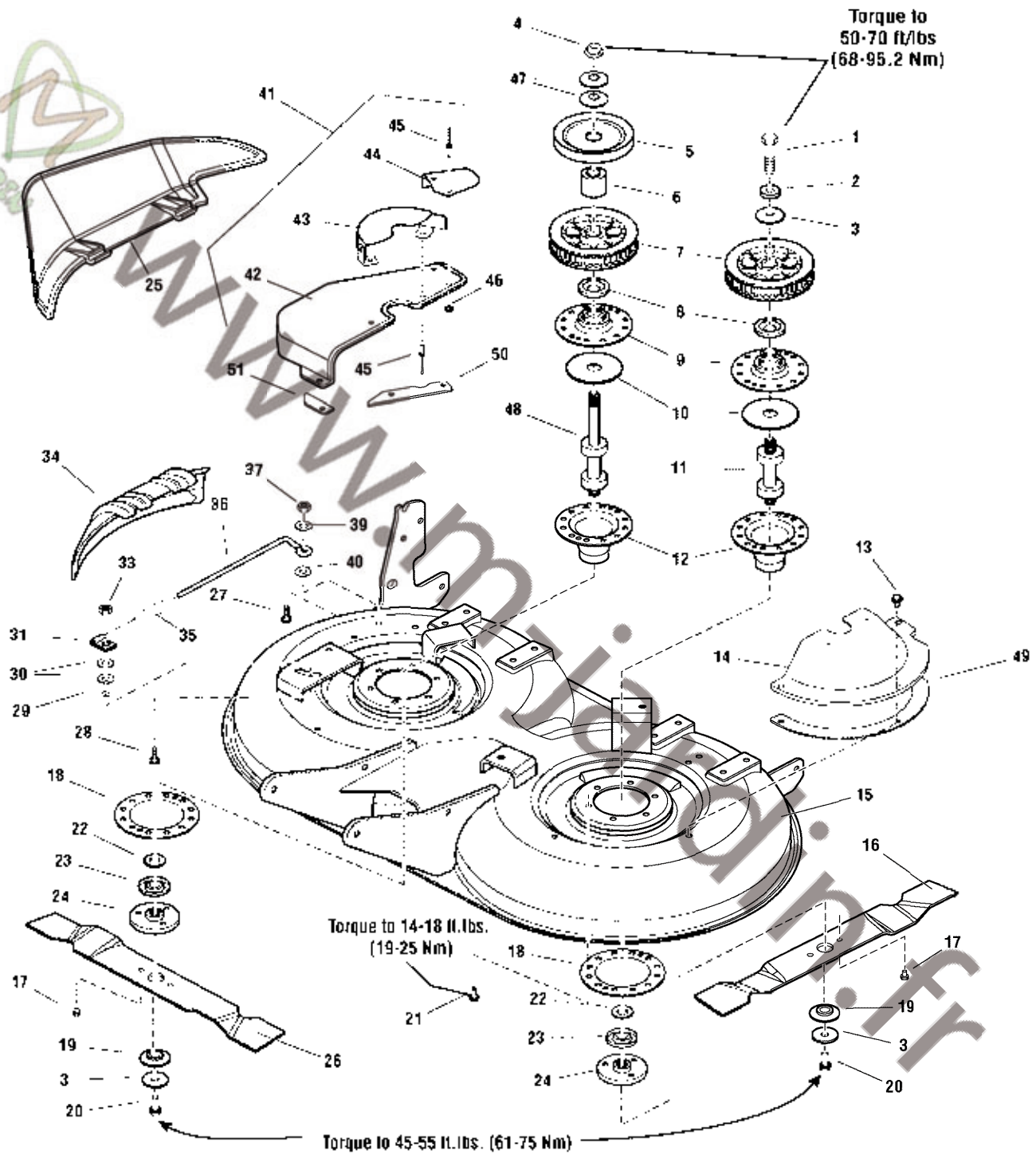


Lift Group - Manual Lift with Cruise Control

Item	Part No	Qty	Description	Note
1	1722302	1	GRIP, Black Vinyl	
2	1722024A	1	ROD, Lift Lever with Flats	
3	1930645	1	NUT, Hex Flange Lock, 3/8-16	
4	1924940	1	WASHER	
5	1722460	2	PIN, Quick	
6	2162085	1	SPRING, Compression	
7	1723866	1	NUT, Push, 3/8	
8	1923341	2	CAPSCREW, Hex Head, 1/4-20 x 3/4	
9	1722284A	1	QUADRANT	
10	1920397	2	NUT, Hex Lock ESNA, 1/4-20	
11	1923701	1	CAPSCREW, Hex Head, 3/8-16 x 2	
12	1960636	4	NUT, KEPS Lock, 5/16-18	
13	1722607	1	SCREW, Torx Head, # 8-16 x 1/2	
14	1722285	1	COVER, Dash	
15	2156302	1	SPRING, Extension, 4-1/8	
16	1725639	1	LIFT SHAFT ASSEMBLY,	
17	1931333	4	CARIAGE BOLT, 5/16-18 x 3/4	
18	1725638	1	ROD, Lift	

Footnotes:

40" Mower Deck - Housing, Arbors & Blades

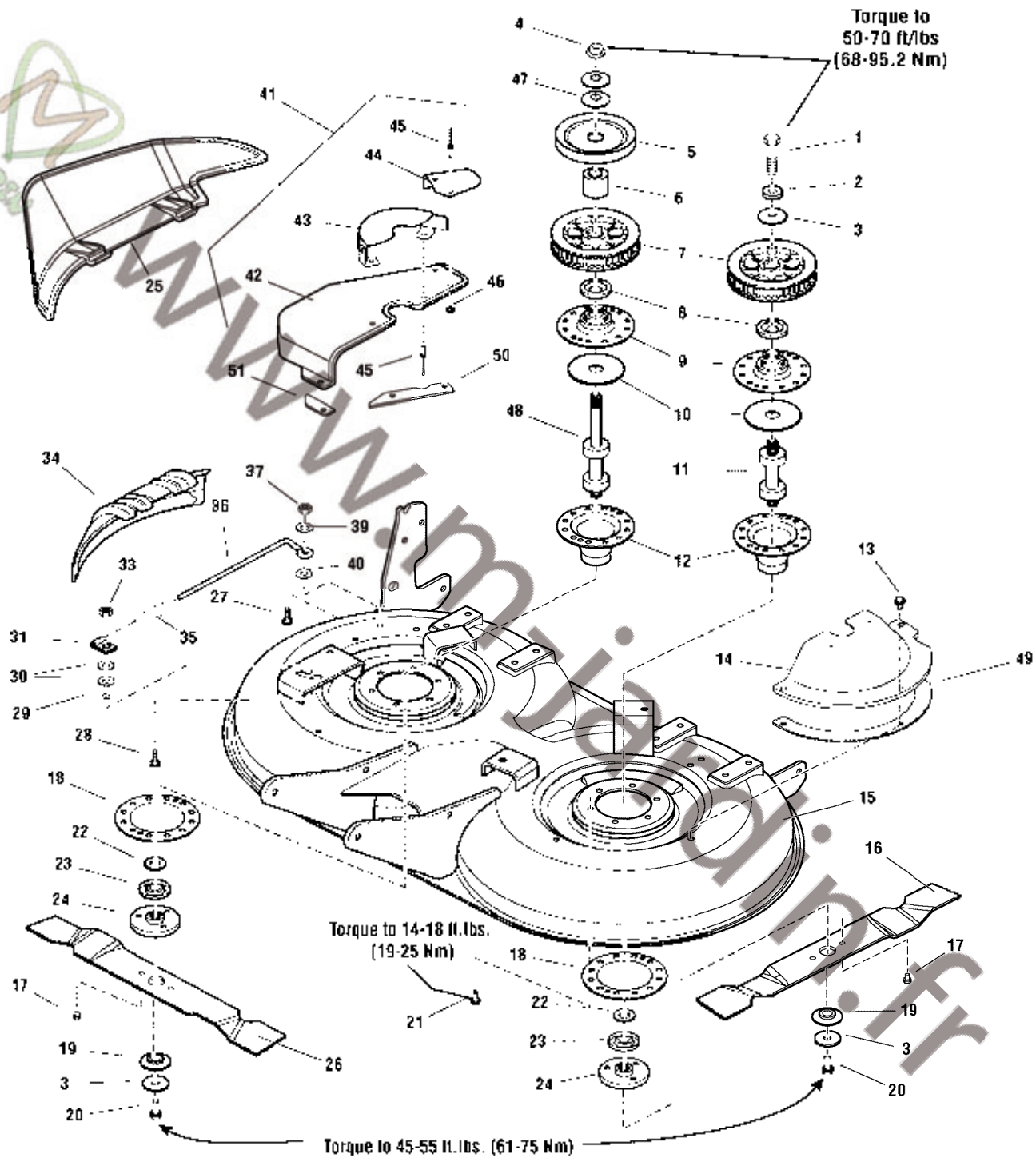


40" Mower Deck - Housing, Arbors & Blades

Item	Part No	Qty	Description	Note
1	1930584	1	CAPSCREW, Hex Head, 7/16-14 x 2-3/4 G8	
2	1933263	1	WASHER, 7/16	
3	1656916	3	WASHER, Spring	
4	1714419	1	NUT, Hex Flange, 9/16-18	
5	1713091	1	PULLEY, Drive 5"	
5	1732123	1	PULLEY, Drive 6"	
6	1719870	1	HUB	
7	1687229	2	SPROCKET & FLANGE ASSEMBLY, w/Screws, 38 Tooth	
8	1657969	2	SHIELD, Bearing Upper, Arbor	
9	1655729A	2	HOUSING, Arbor Top	
10	1707335	2	GASKET, Foam Poly	
11	1722396	1	ARBOR SHAFT & BEARINGS ASSEMBLY	
12	1703273A	2	HOUSING, Arbor Bottom with Lube Fitting	
13	1664847	6	CAPSCREW, Taptite Hex Washer Head, 5/16-18 x 3/4	
14	1724601	1	COVER, Arbor, LH	
15	1687175	1	HOUSING ASSEMBLY, 40", Red	
16	1719624A	1	BLADE, Mower, LH	
17	1722258	2	PIN, Blade	
18	1677274A	2	ADAPTOR, Arbor	
19	1722257	2	WASHER, Spline	
20	2827120	2	CAPSCREW, Hex Head, 7/16-14 x 2-1/4 G8	
21	1960373	12	CAPSCREW, Taptite Hex Washer Head, 5/16-18 x 1	
22	1700230	2	WASHER, Shim	
23	1700229	2	SHIELD, Arbor Bearing, Lower	
24	1655777	2	ADAPTER, Blade	
25	1723453	1	DEFLECTOR, Discharge	
26	1719623A	1	BLADE, Mower, RH	
27	1931335	1	CARRIAGE BOLT, 5/16-18 x 1	
28	1931318	1	CARRIAGE BOLT, 1/4-20 x 7/8	
29	1960518	1	NUT, Push	
30	1960353	2	WASHER, 1/4	
31	1704873	1	CLAMP	
33	1920397	1	NUT, Hex 1/4-20, ESNA	
34	1719597	1	DOOR, Mulching, Black Plastic	
35	1723938	1	SPRING, Torsion	
36	1719617	1	ROD, Pivot	

Footnotes:

40" Mower Deck - Housing, Arbors & Blades

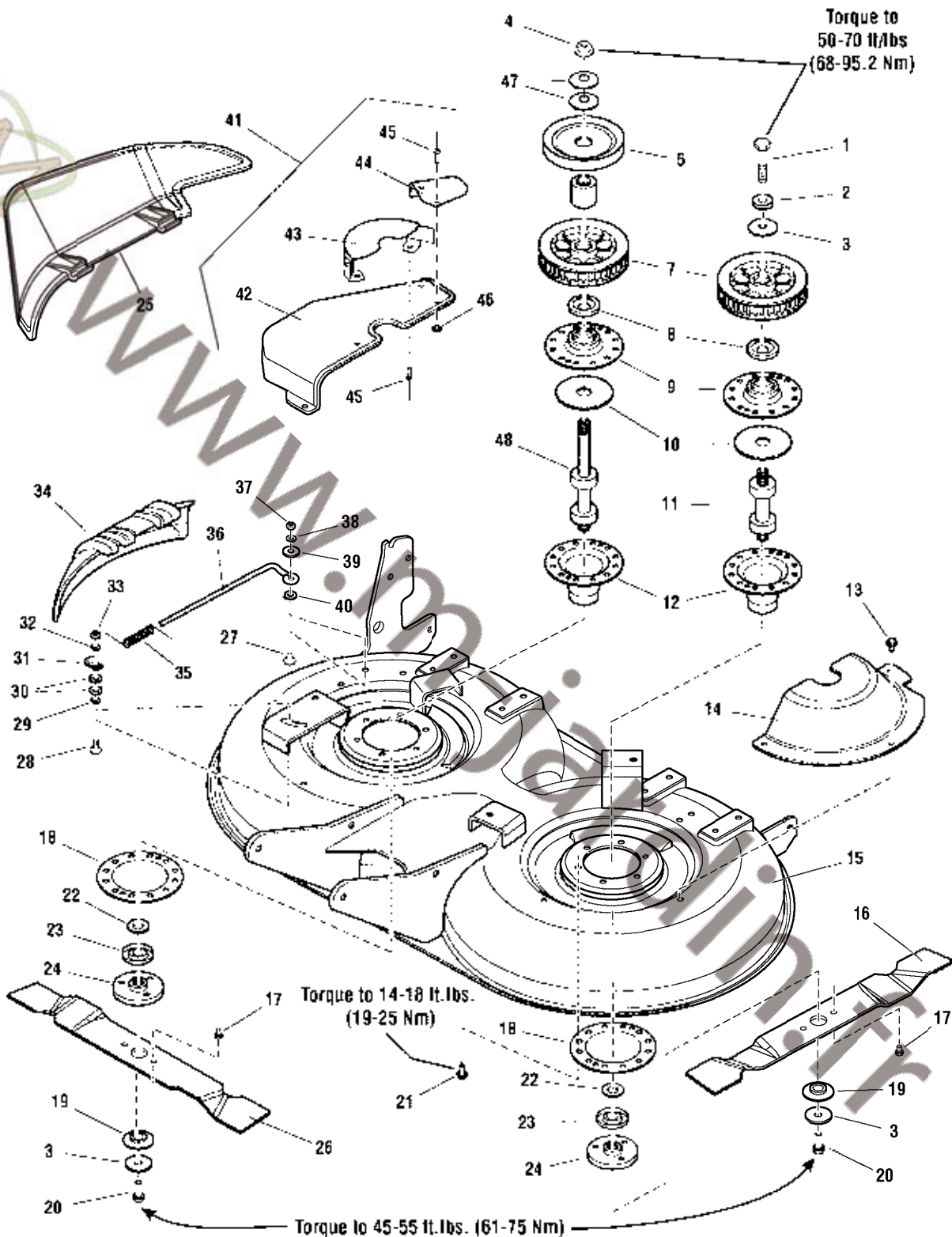


40" Mower Deck - Housing, Arbors & Blades

Item	Part No	Qty	Description	Note
37	1919438	1	NUT, Hex 5/16-18, ESNA	
39	1919381	1	WASHER, 5/16	
40	1933988	1	NUT, Push	
41	1721155	1	COVER ASSEMBLY, Arbor, RH	<i>(Includes Ref. Nos. 42 thru 46)</i>
42	1724600	1	COVER, Arbor RH	<i>(Only used with 5" Pulley)</i>
42	1732425	1	COVER, Arbor RH	<i>(Only used with 6" Pulley)</i>
43	1721259A	1	GUARD ASSEMBLY, RH	
44	1721132A	1	GUARD, Extension	
45	1675044	4	RIVIT, Pop	
46	1960096	4	WASHER, 3/16 x 3/4 x 1/16	
47	1713675	2	WASHER, Bellville	
48	1726825	1	ARBOR SHAFT & BEARING ASSEMBLY	
49	1732960	1	SHIM-Cover LH 7GA 40" Mower	
50	1732691	1	SHIM-Cover RH 7GA 6.5 LG 40" Mower	
51	1732693	1	SHIM-Cover RH 7GA 2.8 LG 40" Mower	

Footnotes:

40" Mower Deck - Housing, Arbors & Blades

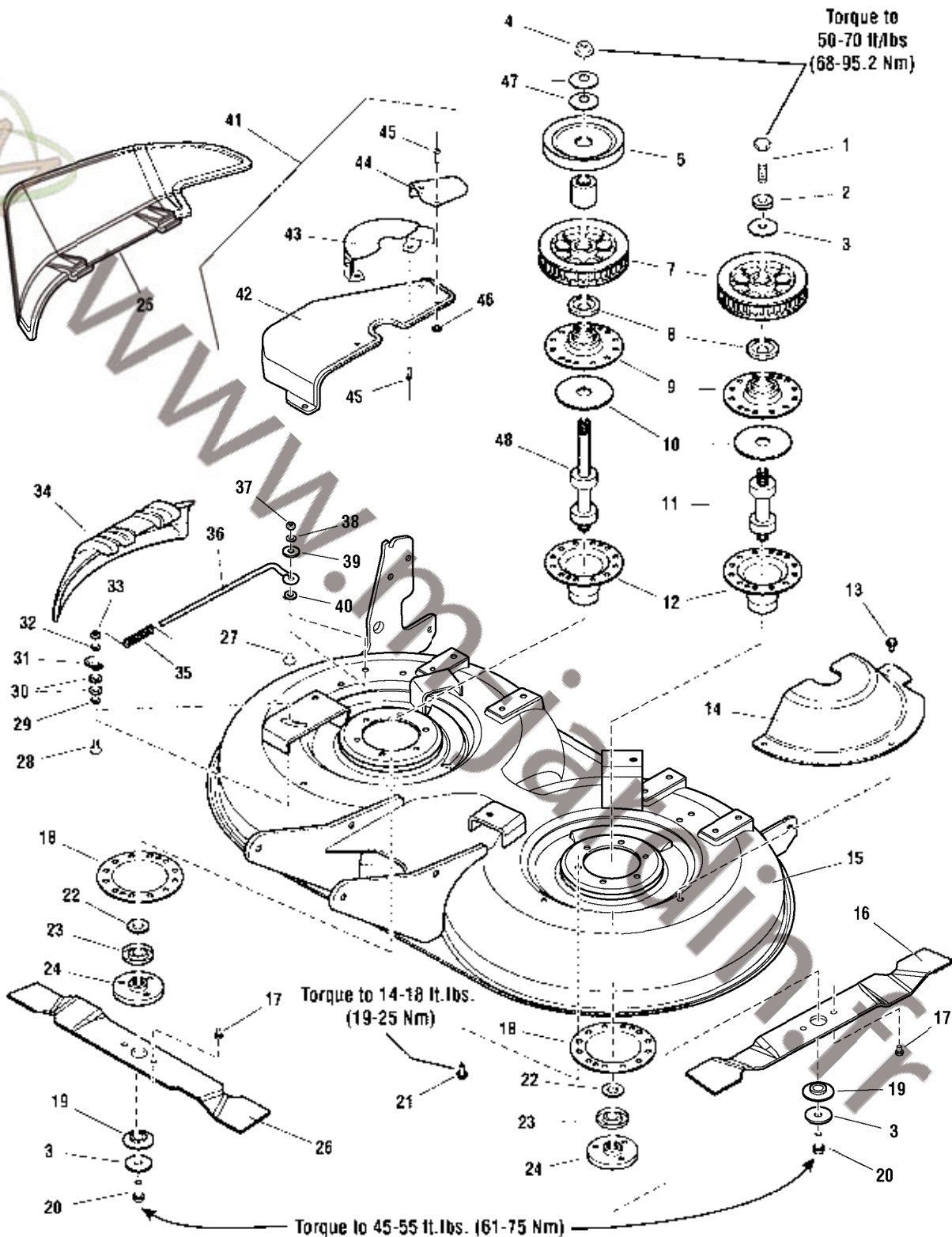


40" Mower Deck - Housing, Arbors & Blades

Item	Part No	Qty	Description	Note
1	1930584	1	CAPSCREW, Hex Head, 7/16-14 x 2-3/4 G8	
2	1933263	1	WASHER, 7/16	
3	1656916	3	WASHER, Spring	
4	1714419	1	NUT, Hex Flange, 9/16-18	
5	1713091	1	PULLEY	
6	1719870	1	HUB	
7	1724453	2	SPROCKET & FLANGE ASSEMBLY, Riveted, 38 Tooth	
8	1657969A	2	SHIELD, Arbor Bearing, Upper	
9	1655729A	2	HOUSING, Arbor Top	
10	1707335	2	GASKET, Foam Poly	
11	1722396	1	ARBOR SHAFT & BEARINGS ASSEMBLY	
12	1703273A	2	HOUSING, Arbor Bottom with Lube Fitting	
13	1664847	6	CAPSCREW, Taptite Hex Washer Head, 5/16-18 x 3/4	
14	1724601	1	COVER, Arbor, LH	
15	1687175	1	HOUSING ASSEMBLY, 40", Red	
16	1719624A	1	BLADE, Mower, LH	
17	1722258	2	PIN, Blade	
18	1677274A	2	ADAPTOR, Arbor	
19	1722257	2	WASHER, Spline	
20	2827120	2	CAPSCREW, Hex Head, 7/16-14 x 2-1/4 G8	
21	1960373	12	CAPSCREW, Taptite Hex Washer Head, 5/16-18 x 1	
22	1700230	2	WASHER, Shim	
23	1700229A	2	SHIELD, Arbor Bearing, Lower	
24	1655777	2	ADAPTER, Blade	
25	1723453	1	DEFLECTOR, Discharge	
26	1719623A	1	BLADE, Mower, RH	
27	1931335	1	CARRIAGE BOLT, 5/16-18 x 1	
28	1931318	1	CARRIAGE BOLT, 1/4-20 x 7/8	
29	1960518	1	NUT, Push	
30	1960353	2	WASHER, 1/4	
31	1704873	1	CLAMP	
32	1916964	1	LOCKWASHER, Spring 1/4	
33	1916622	1	NUT, Hex 1/4-20	
34	1719597	1	DOOR, Mulching, Black Plastic	
35	1723938	1	SPRING, Torsion	
36	1719617	1	ROD, Pivot	
37	1917372	1	NUT, Hex 5/16-18	

Footnotes:

40" Mower Deck - Housing, Arbors & Blades

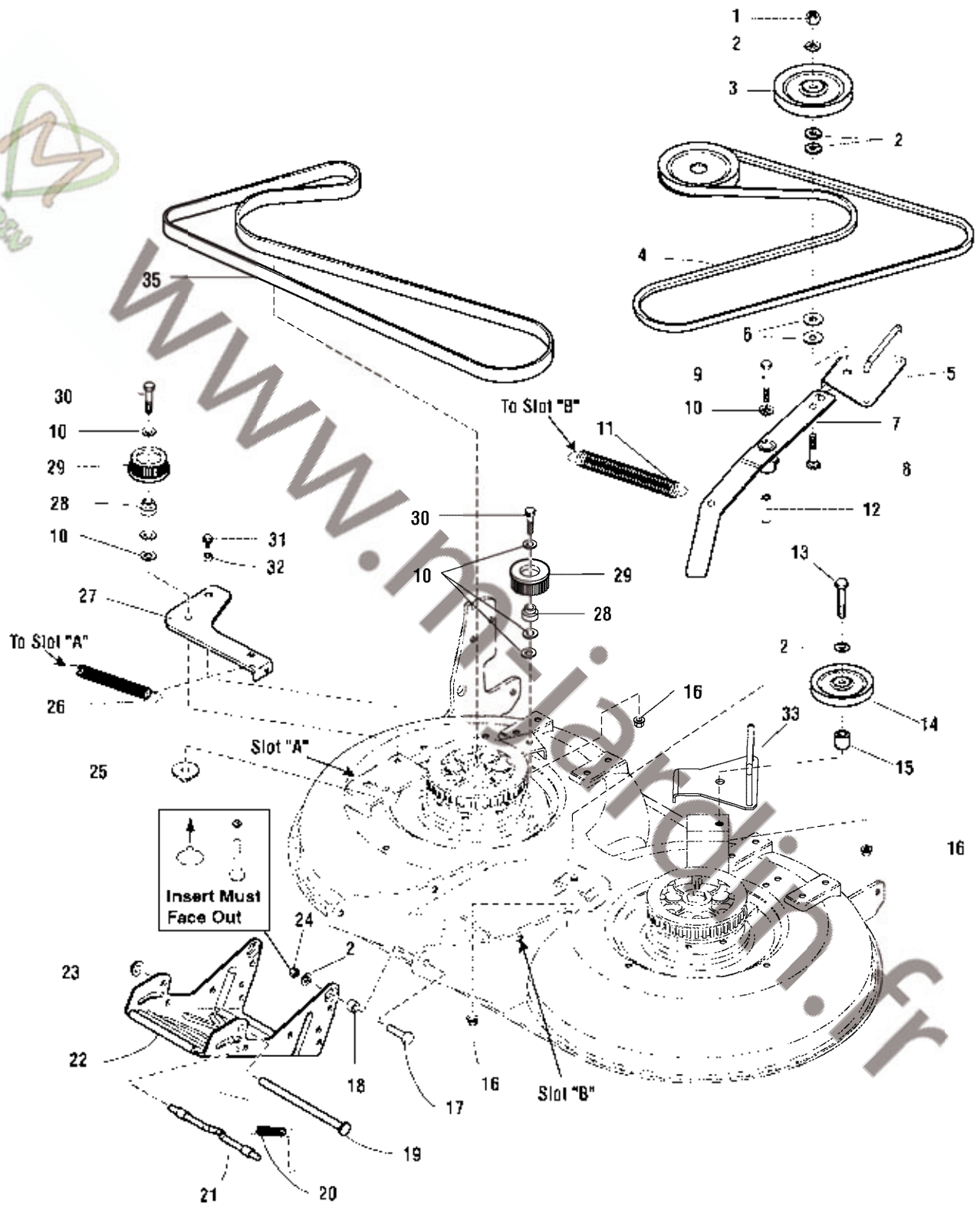


40" Mower Deck - Housing, Arbors & Blades

Item	Part No	Qty	Description	Note
38	1917356	1	LOCKWASHER, Spring 5/16	
39	1919381	1	WASHER, 5/16	
40	1933988	1	NUT, Push	
41	1721155	1	COVER ASSEMBLY, Arbor, RH (Includes Ref. Nos. 42 thru 46)	
42	1724600	1	COVER, Arbor RH	
43	1721259A	1	GUARD ASSEMBLY, RH	
44	1721132A	1	GUARD, Extension	
45	1675044	4	RIVIT, Pop	
46	1960096	4	WASHER, 3/16 x 3/4 x 1/16	
47	1713675	2	WASHER, Bellville	
48	1726825	1	ARBOR SHAFT & BEARING ASSEMBLY	

Footnotes:

40" Mower Deck - Belt, Idler Arm & Hitch

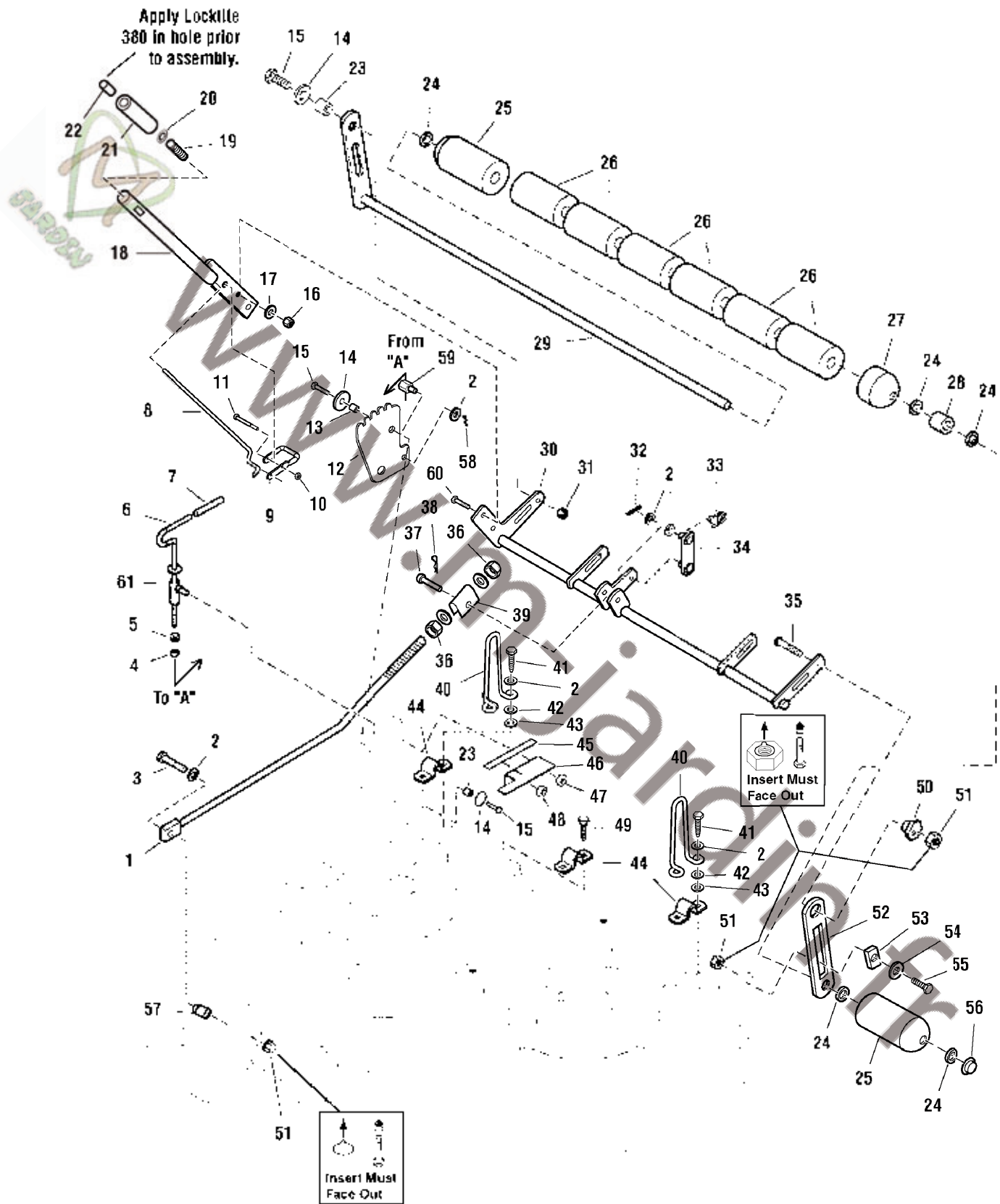


40" Mower Deck - Belt, Idler Arm & Hitch

Item	Part No	Qty	Description	Note
1	1919439	1	NUT, Hex Lock Esna Light, 3/8-16	
2	1924940	6	WASHER, 3/8	
3	1725408	1	PULLEY, Idler	
4	1723391	1	V-BELT, Arbor Drive	
5	1722175A	1	BELT GUIDE	
6	1960534	2	WASHER, 3/8	
7	1724835	1	ARM ASSEMBLY, Idler with Bushings & Fitting, 38 Tooth	
8	1931355	1	CARRIAGE BOLT, 3/8-16 x 2	
9	1928957	1	CAPSCREW, Hex Head, 3/8-16 x 2-3/4 G8	
10	1922755	6	WASHER, 3/8	
11	1715435	1	SPRING, Extension, Idler Arm	
12	1657242	1	SPACER, Hardened	
13	1922130	1	CAPSCREW, Hex Head, 3/8-16 x 2-1/4	
14	1723952	1	PULLEY	
15	1667812	1	SPACER	
16	1928352	4	NUT, Hex Flange Whiz Lock, Large, 3/8-16	
17	1921968	2	CAPSCREW, Hex Head, 3/8-16 x 1-3/8	
18	2172329	2	SPACER	
19	1713578	1	ROD, Mower Hitch	
20	2156302	1	SPRING, Extension, Hitch Release	
21	1715759	1	ROD, Latch	
22	1720044A	1	HITCH, Mower	
23	1960519	1	NUT, Push	
24	2860681	2	NUT, Hex Toplock Sprial Flange, 3/8-16	
25	1721425	1	WASHER & NUT ASSEMBLY, 3/8 x 1-1/2	
26	1674671	1	SPRING, Extension	
27	1719923	1	ARM, Idler	
28	1719221	2	HUB	
29	1724802	2	PULLEY, Idler	
30	1960315	2	CARRIAGE BOLT, 3/8-16 x 2	
31	1930601	1	CAPSCREW, Taptite Hex Washer Head, 5/16-18 x 1/2	
32	1666697	1	SPACER	
33	1722182A	1	BELT GUIDE	
34	1724625	1	BELT, Timing, 38 Tooth	

Footnotes:

40" Mower Deck - Height Adjustment & Roller Bar

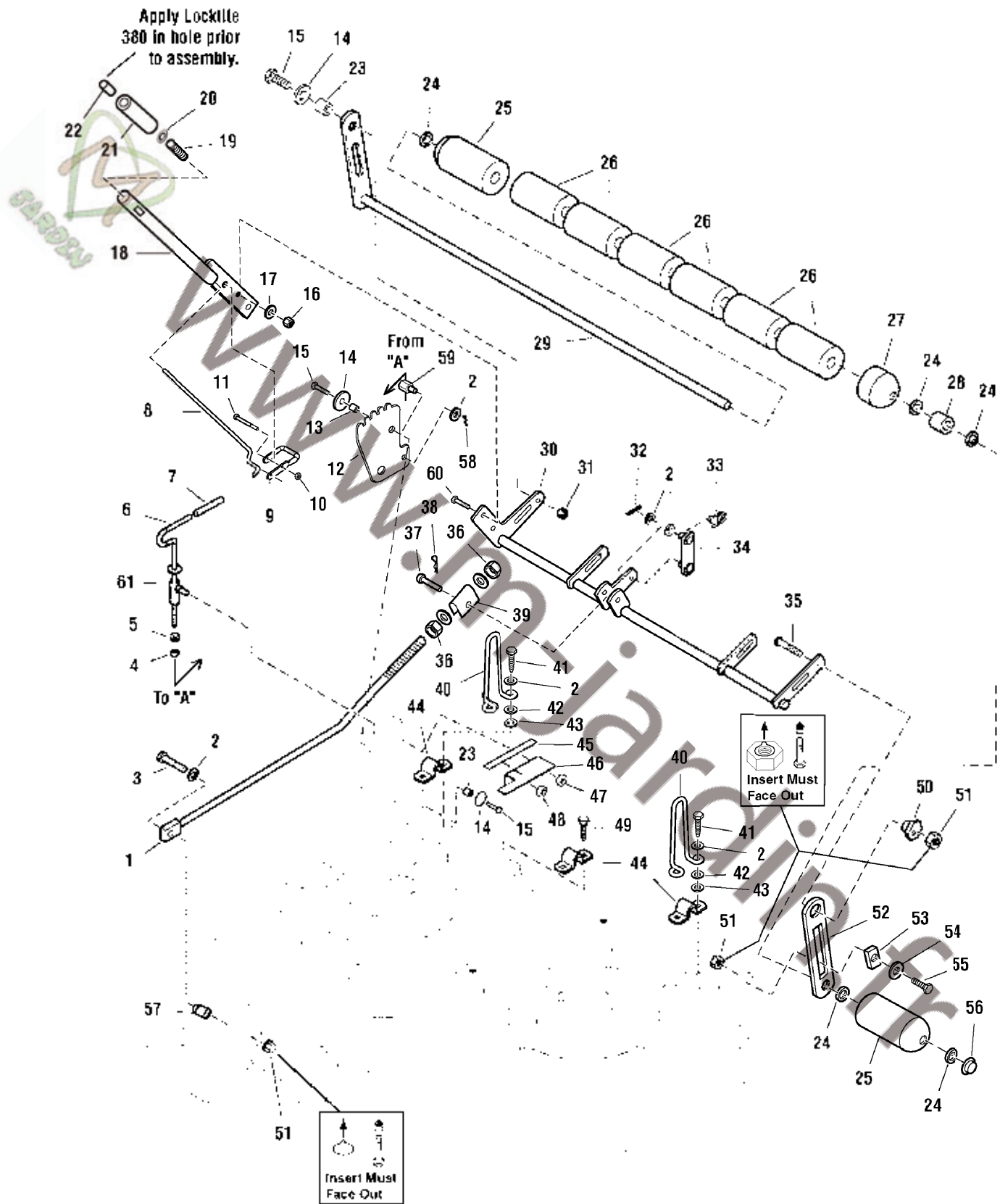


40" Mower Deck - Height Adjustment & Roller Bar

Item	Part No	Qty	Description	Note
1	1722661	1	ROD	
2	1924940	8	WASHER, 3/8	
3	1922606	1	CAPSCREW, Hex Head, 3/8-16 x 1 3/4	
4	1917421	1	NUT, Hex Jam, 3/8-16	
5	1960601	1	NUT, Hex Flange, 3/8-16 Black	
6	1720704	1	ROD & WASHER ASSEMBLY, Adjust Handle	
7	1651820	1	GRIP, Black Vinyl For Rod	
8	1721257	1	ROD, Latch	
9	1720599	1	LATCH, 5/16 WIRE	
10	1920397	1	NUT, Hex Lock Esna Light, 1/4-20	
11	1921159	1	CAPSCREW, Hex Head, 1/4-20 x 2 1/4	
12	1723409A	1	BRACKET, Adjusting	
13	1666697	1	SPACER	
14	1960044	5	WASHER, 5/16	
15	1921977	2	CAPSCREW, Hex Head, 5/16-18 x 1 1/4	
16	1917372	3	NUT, Hex 5/16-18	
17	1917356	3	LOCKWASHER, Spring 5/16	
18	1720695A	1	HANDLE ASSEMBLY, Lift, 40" Munching	
19	1723321	1	SPRING, Compression 3-7/8" Long	
20	1960674	1	PUSH NUT, 1/4	
21	1713995	1	GRIP, Black Soft for Rod	
22	1723124	1	BUTTON, Red	
23	1960236	4	SPACER	
24	1924366	7	WASHER, 5/8	
25	1722036	2	ROLLER	
26	1668513	6	ROLLER	
27	1717675	2	ROLLER	
28	1602946	1	SPACER	
29	1723305A	1	SHAFT & BAR ASSEMBLY	
30	1723303A	1	SHAFT ASSEMBLY	
31	2860643	2	NUT, Hex, 5/16-18	
32	1920161	1	NUT, Hex Jam, 5/16-18	
33	7028200	1	TRUNNION	
34	1724959	1	ROD, Height Adjustment	
35	1931352	1	CARRIAGE BOLT, 3/8-16 x 1-1/2	
36	1915726	2	NUT, Hex, 5/8-11	
37	2118053	1	PIN	

Footnotes:

40" Mower Deck - Height Adjustment & Roller Bar

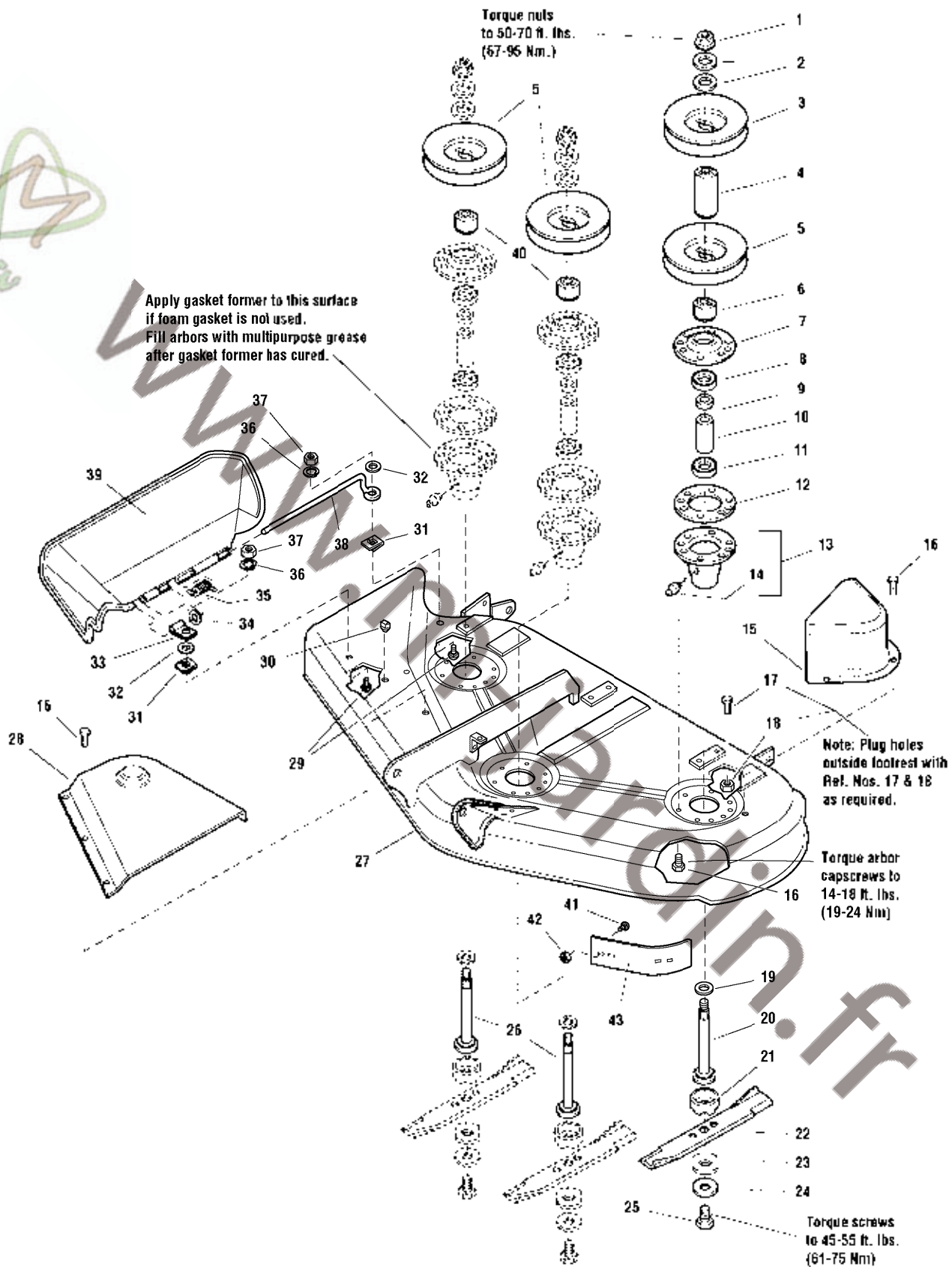


40" Mower Deck - Height Adjustment & Roller Bar

Item	Part No	Qty	Description	Note
38	1960074	2	CLIP, Hair Pin	
39	1706645A	1	TRUNNION, Rod	
40	1720659	2	UPSTOP	
41	1931202	4	CAPSCREW, Hex Head Taptite, 5/16-18 x 1-1/4	
42	1919381	6	WASHER, 5/16	
43	1933988	4	NUT, Push, 5/16	
44	1665374A	3	STRAP, Roller Support	
45	1720919	1	DECAL, Height of Cut	
46	1720931A	1	BRACKET, Height of Cut	
47	1930651	1	NUT, Hex Centerlock 3/8-16	
48	1935048	1	NUT, Hex Flange Lock, 5/16-18	
49	1664847	8	CAPSCREW, Taptite Hex Washer Head, 5/16-18 x 3/4	
50	1704082	1	NUT, Hex Adjusting	
51	2860681	3	NUT, Toplock Spiral Flange, 3/8-16	
52	1704073A	1	BAR	
53	1677507	1	SLIDE	
54	1924361	1	WASHER, 1/2	
55	2172622	1	BOLT, Shoulder, 3/8-16 x 1-11/32	
56	1960520	1	NUT, Push 5/8	
57	1706644	1	SPACER	
58	1918447	1	PIN, Cotter	
59	2108512	1	PIVOT, 3/4 Hex	
60	1931335	2	CARRIAGE BOLT, 5/16-18 x 1	
61	2108241	1	GUIDE ASSEMBLY, Rod	

Footnotes:

44" Mower Deck - Housing, Arbors & Blades

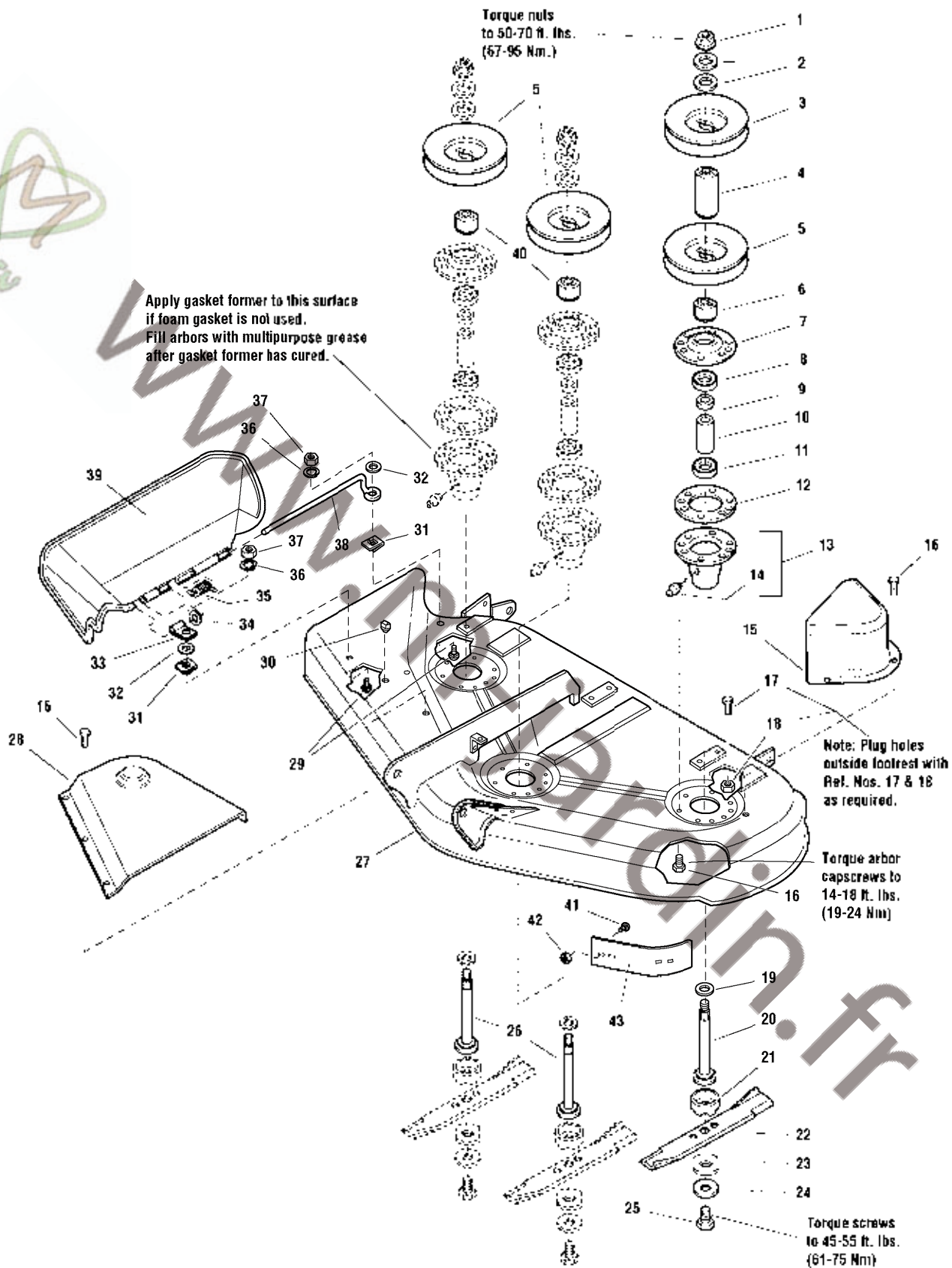


44" Mower Deck - Housing, Arbors & Blades

Item	Part No	Qty	Description	Note
1	1714419	3	NUT, Hex Flange, 9/16-18	
2	1713675	6	WASHER, Bellevilled, 9/16	
3	1713161	1	PULLEY, 4-1/2 O.D.	
4	1713158	1	HUB, Double Pulley	
5	1713098	3	PULLEY, 4-1/4 O.D.	
6	1713533	1	HUB, Double Pulley	
7	1655729A	3	COVER, Arbor Housing	
8	2108202	3	BEARING, Ball, 3/4 x 1-3/4 x 5/8	
9	1715724	3	SPACER, 21/32 x 3/4 x 5/8	
10	1715723	3	SPACER, 11/16 x 5/32 x 2-11/16	
11	1705897	3	BEARING, Ball, 11/16 x 1-9/16 x 15/32	
12	1707335	3	GASKET, Foam	
13	1713338	3	ARBOR HOUSING ASSEMBLY, (Includes Ref. No. 14)	
14	1704314	3	FITTING, Grease	
15	1720560A	1	COVER, Arbor	
16	1664847	26	CAPSCREW, Hex Head Taptite, 5/16-18 x 3/4	
17	1924856	1	CAPSCREW, Hex Washer Head, 5/16-18 x 1/2, Black	
18	1931277	1	NUT, Hex Flange, 5/16,	
19	1713619	3	WASHER, Bellevilled, 9/16, Black	
20	1713612	1	SHAFT, Arbor (LH)	
21	1713196	3	SHIELD, Grass, Lower	
22	1704100A	3	BLADE, Mower, 16-1/8 (for 44" Decks)	
23	1713089	3	WASHER, Hex, 11/16 x 2	
24	1656916	3	WASHER, Spring 15/32, Black	
25	2823471	3	CAPSCREW, Hex Head, 7/16-14 x 1	
26	1713195	2	SHAFT, Arbor (Center & RH)	
27	1687154	1	MOWER HOUSING ASSEMBLY, 44" Mower (Red)	
28	1703601	1	COVER, Arbor	
29	1931318	2	CARRIAGE BOLT, 1/4-20 x 7/8	
30	1705115	1	PLUG, Hole	
31	1960518	2	NUT, Push	
32	1960353	2	WASHER, 1/4, Black	
33	1704873	1	CLAMP	
34	1919326	1	WASHER, 5/16, Black	
35	1723938	1	SPRING	
36	1916964	2	WASHER, Lock, 1/4	
37	1916622	2	NUT, Hex, 1/4-20	

Footnotes:

44" Mower Deck - Housing, Arbors & Blades



44" Mower Deck - Housing, Arbors & Blades

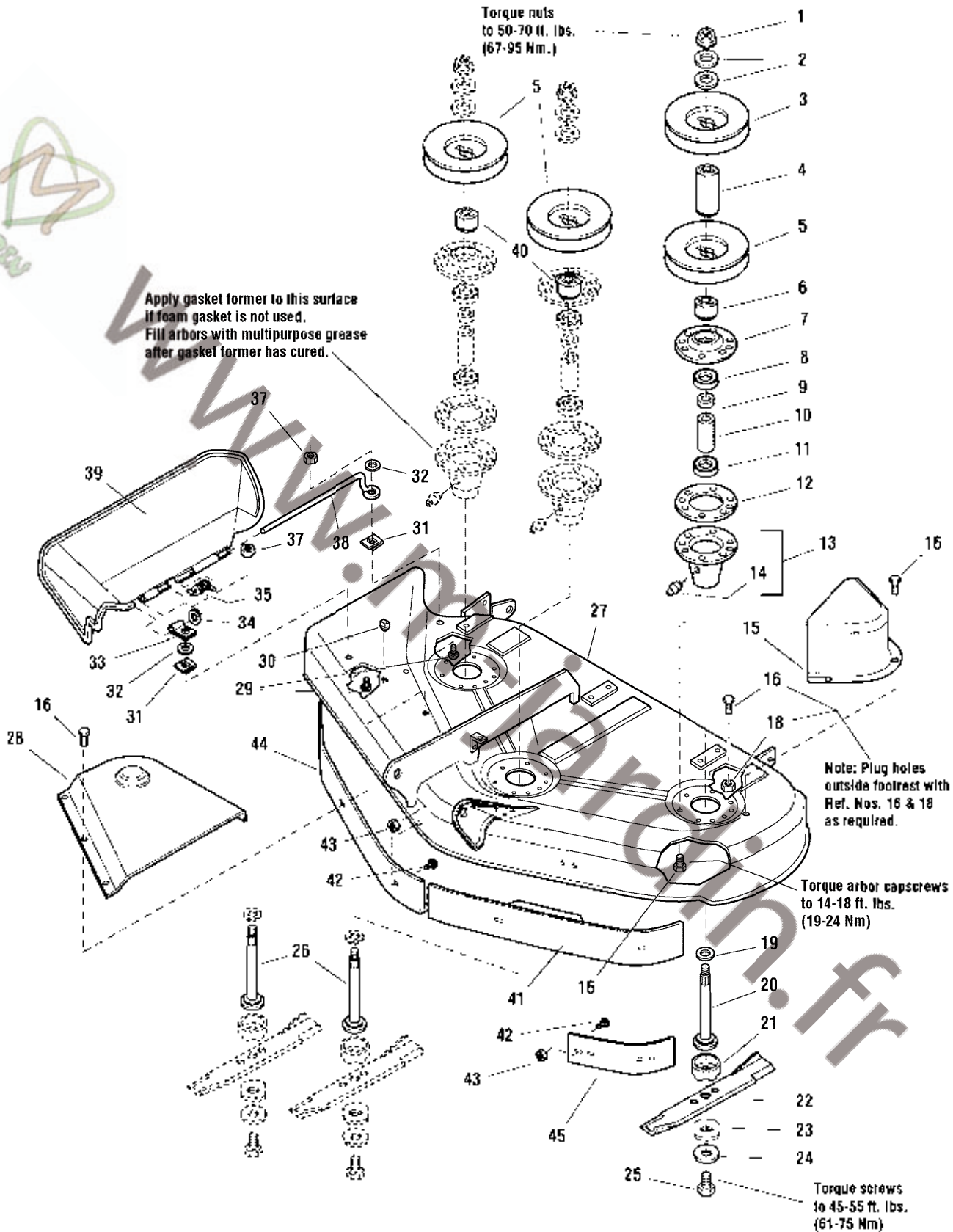
Item	Part No	Qty	Description	Note
38	1706709A	1	ROD, Deflector, Front	
39	1705449	1	DEFLECTOR, Plastic	
40	1713197	2	HUB, Pulley, Center & RH	
41	1931333	2	CARRIAGE BOLT, 5/16-18 x 3/4	
42	1927557	2	NUT, Hex Flange Whiz Lock, 5/16-18	
43	1724538A	1	BAFFLE, Blowout, 44" & 50"	



www.m-jardin.fr

Footnotes:

44" Mower Deck - Housing, Arbors & Blades

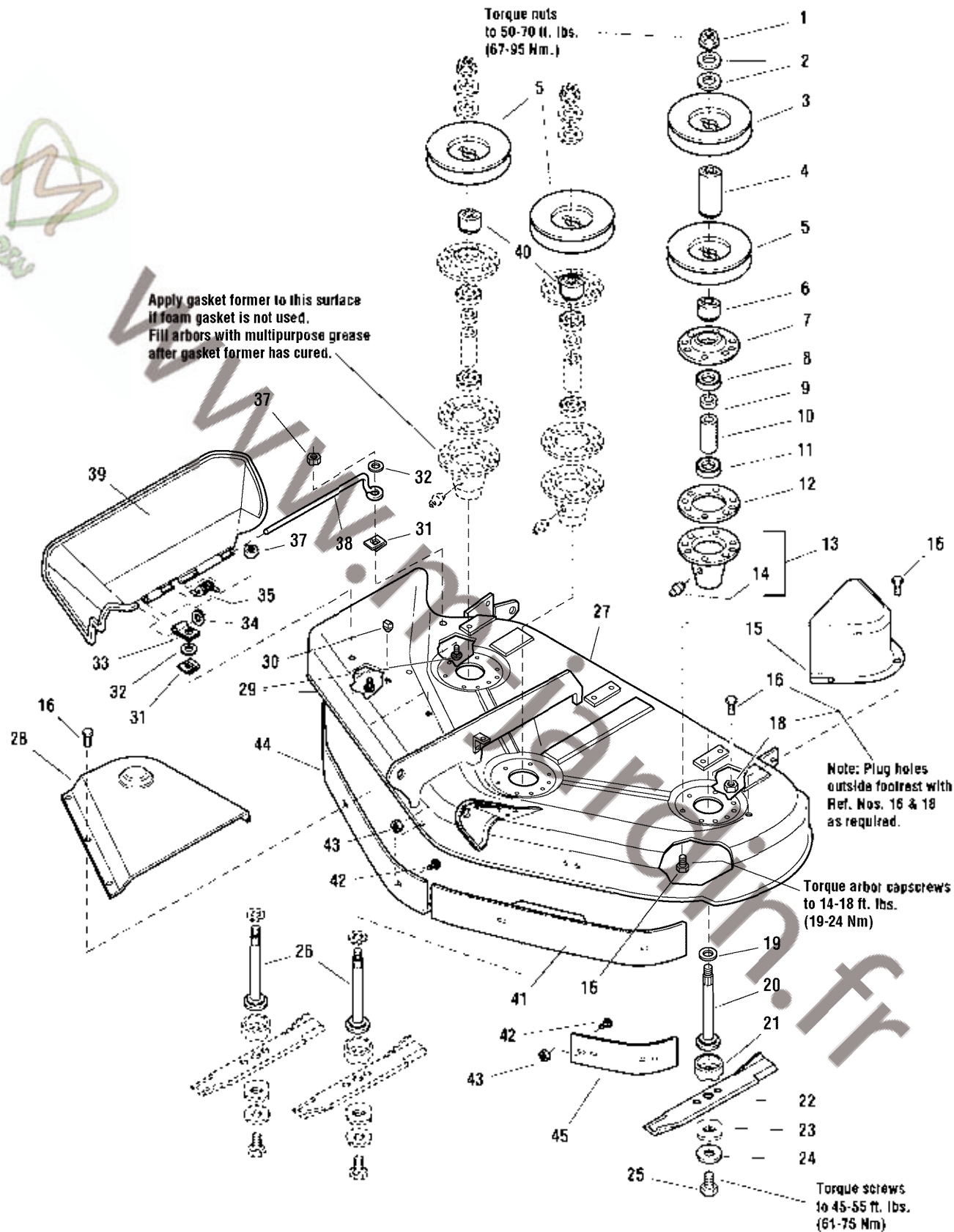


44" Mower Deck - Housing, Arbors & Blades

Item	Part No	Qty	Description	Note
1	1714419	3	NUT, Hex Flange, 9/16-18	
2	1713675	6	WASHER, Bellevilled, 9/16	
3	1713161	1	PULLEY, 4-1/2 O.D.	
3	1713091	1	PULLEY, 5 O.D.	
4	1713158	1	HUB, Double Pulley	
5	1713098	3	PULLEY	
6	1713533	1	HUB, Double Pulley	
7	1655729A	3	COVER, Arbor Housing	
8	2108202	3	BEARING, Ball, 3/4 x 1-3/4 x 5/8	
9	1715724	3	SPACER, 21/32 x 3/4 x 5/8	
10	1732544	3	SPACER, 11/16 x 5/32 x 2-11/16	
11	1705897	3	BEARING, Ball, 11/16 x 1-9/16 x 15/32	
12	1707335	3	GASKET, Foam	
13	1713338A	3	HOUSING ASSEMBLY, Arbor Bottom, w/Lube Fitting	(Includes Ref. No. 14)
14	1704314	3	FITTING, Grease	
15	1720560A	1	COVER, Arbor	
15	1732200A	1	COVER, Arbor without Ribs	
16	1664847	29	CAPSCREW, Hex Head Taptite, 5/16-18 x 3/4	
18	1931277	1	NUT, Hex Flange, 5/16,	
19	1713619	3	WASHER, Bellevilled, 9/16, Black	
20	1713612	1	SHAFT, Arbor (LH)	
21	1713196	3	SHIELD, Grass, Lower	
22	1704100A	3	BLADE, Mower, 16-1/8	
23	1713089	3	WASHER, Hex, 11/16 x 2	
24	1656916	3	WASHER, Spring 15/32, Black	
25	2823471	3	CAPSCREW, Hex Head, 7/16-14 x 1	
26	1713195	2	SHAFT, Arbor (Center & RH)	
27	1687154	1	MOWER HOUSING ASSEMBLY, 44" Mower (Red)	
28	1715673	1	COVER, Arbor	
29	1931318	2	CARRIAGE BOLT, 1/4-20 x 7/8	
30	1705115	1	PLUG, Hole	
31	1960518	2	NUT, Push	
32	1960353	2	WASHER, 1/4, Black	
33	1704873	1	CLAMP	
34	1919326	1	WASHER, 5/16, Black	
35	7101082	1	SPRING	

Footnotes:

44" Mower Deck - Housing, Arbors & Blades

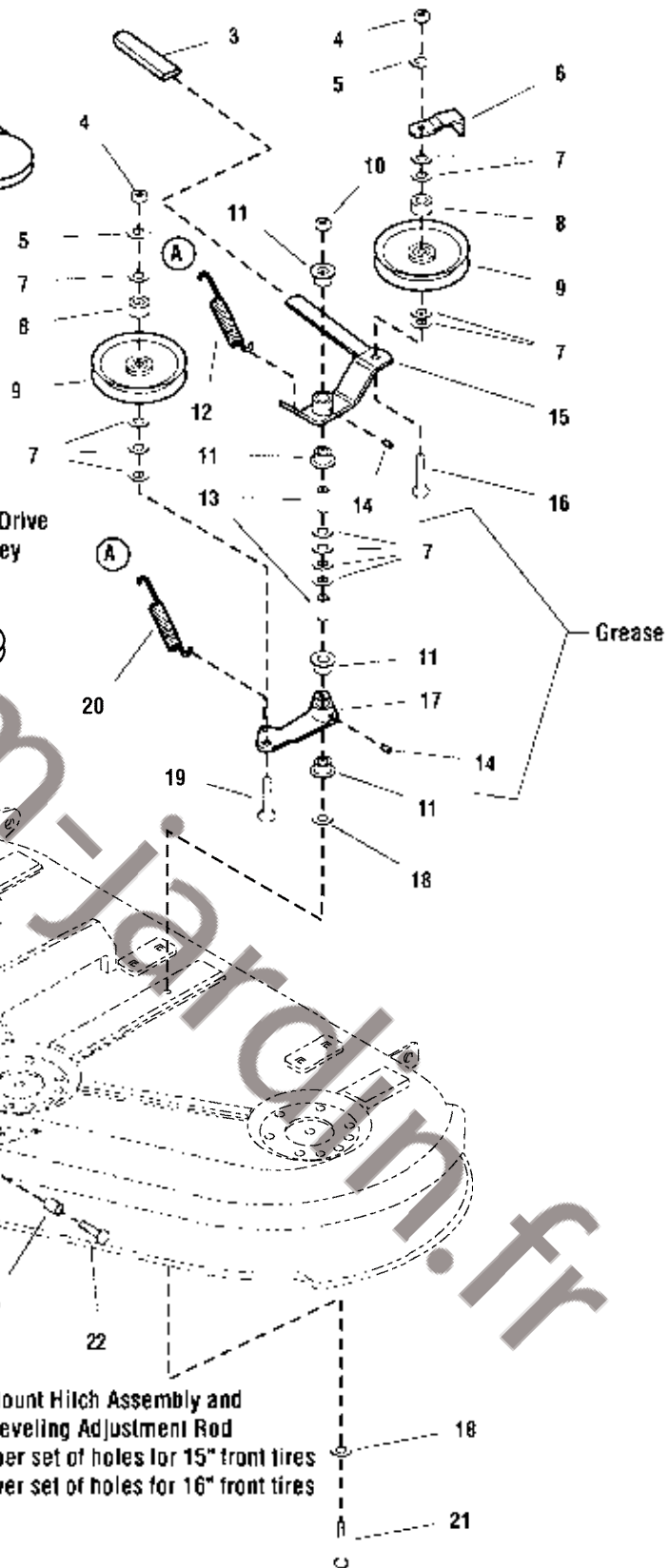
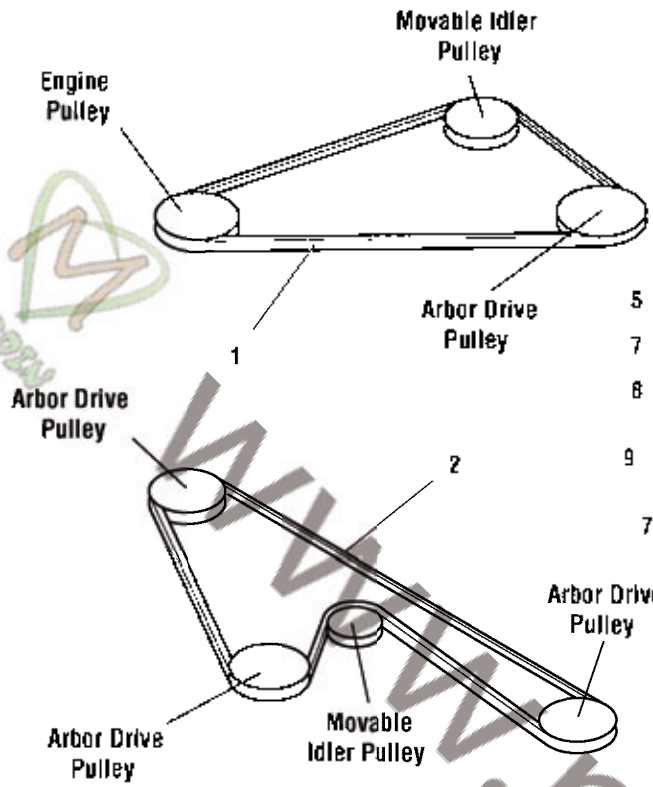


44" Mower Deck - Housing, Arbors & Blades

Item	Part No	Qty	Description	Note
37	1920397	2	NUT, ESNA 1/4-20	
38	1706709	1	ROD, Deflector, Front	
39	1705449	1	DEFLECTOR, Plastic	
40	1713197	2	HUB, Pulley, Center & RH	
41	1716879A	1	BAFFLE, Anti-Blowout, LH	(CE/Export)
42	1931333	2/8/11	CARRIAGE BOLT, 5/16-18 x 3/4, Black	(CE/Export)
43	1927557	2/8/11	NUT, Hex Flange Whiz Lock, 5/16-18, Black	(CE/Export)
44	1716878A	1	BAFFLE, Anti-Blowout, RH	(CE/Export)
45	1724538A	1	BAFFLE, Blowout, 44" & 50"	

Footnotes:

44" Mower Deck - Belt, Idler Arm & Hitch



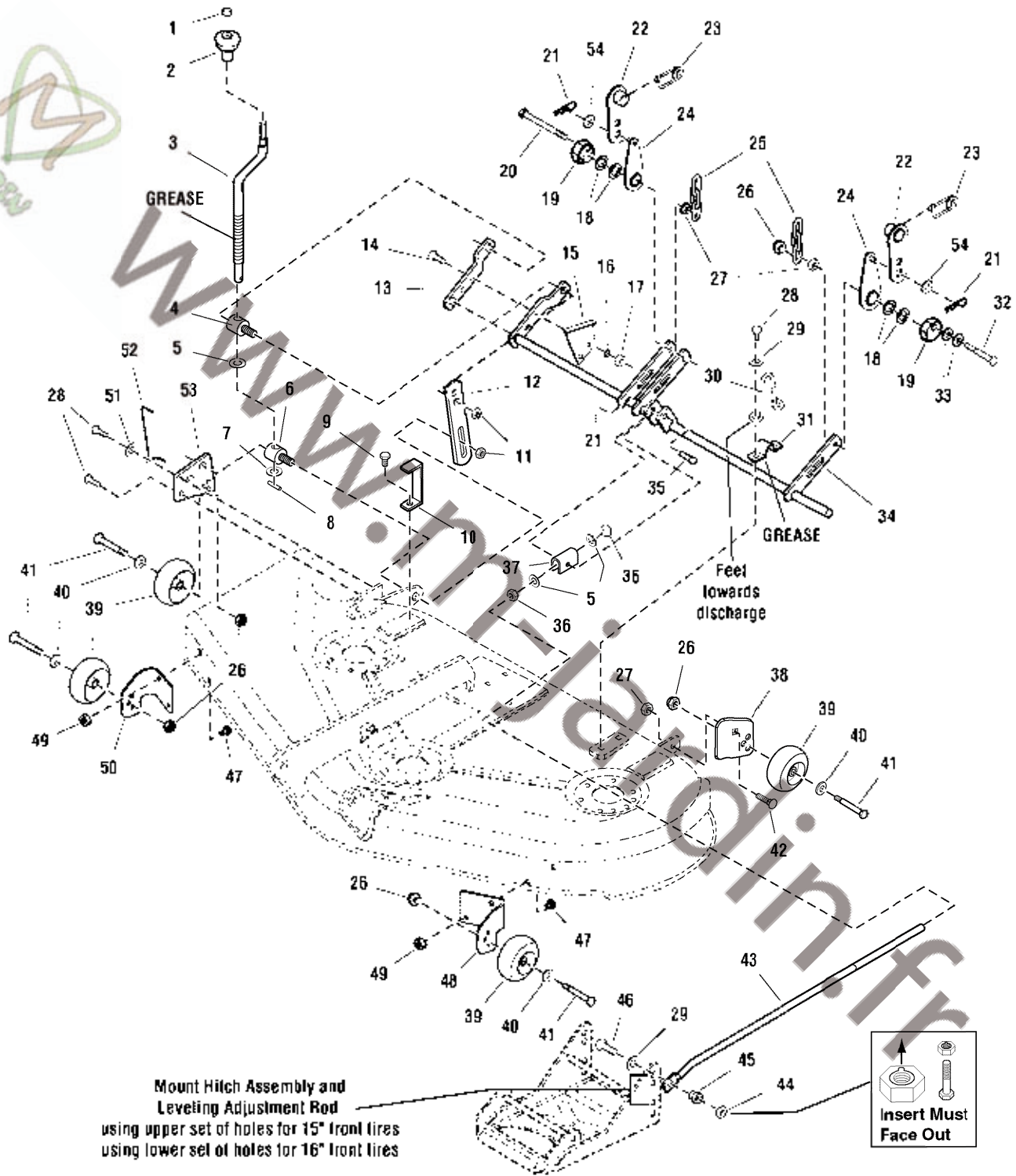
Mount Hitch Assembly and Leveling Adjustment Rod using upper set of holes for 15" front tires using lower set of holes for 16" front tires

44" Mower Deck - Belt, Idler Arm & Hitch

Item	Part No	Qty	Description	Note
1	1601672	1	V-BELT, Mower Drive	
2	1721532	1	V-BELT, Arbor Drive	
3	1665835	1	GRIP, Lever	
4	1916950	2	NUT, Hex, 3/8-16	
5	1916965	2	WASHER, Lock, 3/8	
6	1677135A	1	BELT STOP, Idler	
7	1924940	14	WASHER, 3/8	
8	1666294	2	SPACER, 25/64 x 21/32 x 7/16, Powder Metal	
9	1685150	2	PULLEY, Idler	(Includes Ref. No. 8)
10	1960339	1	NUT, Hex Flange, 3/8-16, MAC Lock Large, Black	
11	1676148	4	BUSHING, 5/8 x 3/4 x 13/32, Powder Metal	
12	1715435	1	SPRING	
13	1674669A	2	SPACER, 25/64 x 5/8 x 1-1/8, Case Hardened	
14	2812808	2	GREASE FITTING	
15	1704658	1	LEVER ASSEMBLY, Idler	(Includes Ref. Nos. 3, 11 & 14)
16	1960315	1	CARRIAGE BOLT, 3/8-16 x 2	
17	1718561	1	LEVER ASSEMBLY, Idler Arm	(Includes Ref. Nos. 11 & 14)
18	1924356	2	WASHER, 3/8, Black	
19	1931352	1	CARRIAGE BOLT, 3/8-16 x 1-1/2	
20	1656936	1	SPRING	
21	1923938	1	CAPSCREW, Hex Head, 3/8-16 x 3-1/2	
22	1921968	2	CAPSCREW, Hex Head, 3/8-16 x 1-3/8	
23	2157081	2	SPACER, 3/8 x 3/4 x 1/2	
24	2860681	2	NUT, Hex Toplock Spirallock Flange, 3/8-16	
25	2156302	1	SPRING	
26	1707432A	1	HITCH ASSEMBLY	
27	1715759	1	ROD, Latch	

Footnotes:

44" Mower Deck - Height Adjustment

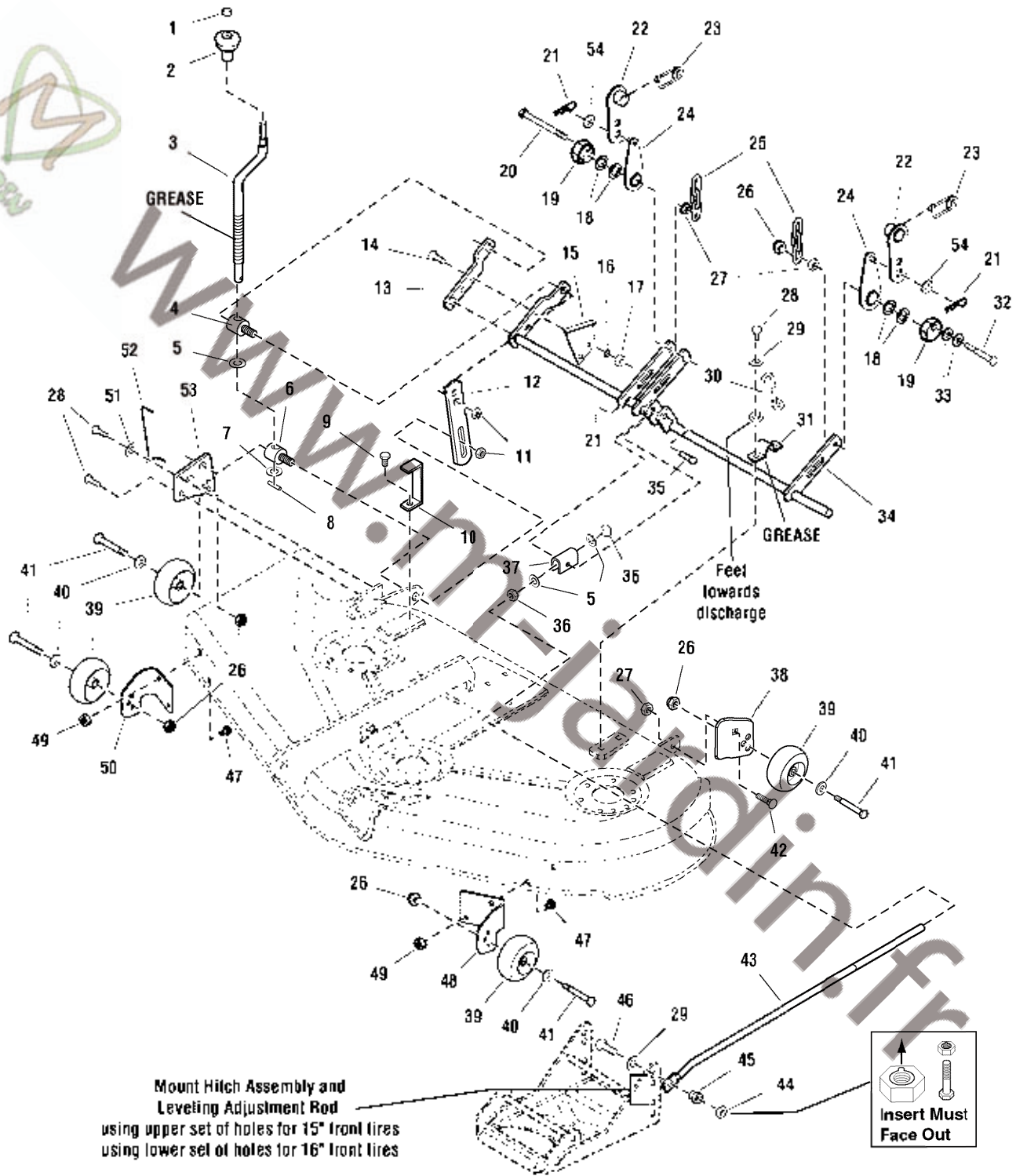


44" Mower Deck - Height Adjustment

Item	Part No	Qty	Description	Note
1	1960093	1	NUT, Push Pal Stud Capped	
2	1714084	1	KNOB, Spinner	
3	1719901	1	CRANK, Height Adjustment	
4	1704087	1	TRUNNION	
5	1960170	3	WASHER, 1/2	
6	1704086	1	TRUNNION	
7	1704097	1	WASHER, Detent	
8	2816001	1	PIN, Spring	
9	1664847	5	SCREW, Hex Washer Head Taptite, 5/16-18 x 3/4	
10	1722750A	1	BRACKET, Upstop	
11	1930644	2	NUT, Hex Flange Two-Way Lock, 1/2-13	
12	1727143A	1	STOP, Height Adjust	
13	1704083A	1	ARM, 1-1/4 Wide 6-41/64 Long	
14	1921977	2	CAPSCREW, Hex Head, 5/16-18 x 1-1/4 G5	
15	1704116A	1	BRACKET, Height of Cut	
16	1917356	2	LOCKWASHER, Spring 5/16	
17	1917372	2	NUT, Hex, 5/16-18 NC-2B	
18	2860208	4	WASHER,1.000(1.01IDX1.50ODX.05THK)	
19	1704082	2	NUT, Hex Adjust, Powdered Metal	
20	1913709	1	CAPSCREW, Hex Head, 3/8-16 x 3 G5	
21	1960074	3	CLIP, Hair Pin Spring Wire 1-5/8 Long	
22	1727361A	2	HANGER & SPACER ASSEMBLY	
23	2176012	2	RETAINER, Pin Spring	
24	1727356A	2	HANGER & PIN ASSEMBLY	
25	1707514A	2	CHAIN, Link 3 Links 4-1/2 Long	
26	1960687	5	NUT, Hex Flange ESNA, 3/8-16	
27	1931211	3	NUT, Hex Flange Whiz Lock Small, 3/8-16	
28	1931202	4	SCREW, Hex Washer Head Taptite, 5/16-18 x 1-1/4	
29	1924940	3	WASHER, 3/8	
30	1720659	1	STOP, Up	
31	1665374A	3	STRAP	
32	1922130	1	CAPSCREW, Hex Head, 3/8-16 x 2-1/4 G5	
33	1922755	2	WASHER, 3/8	
34	1727138A	1	SHAFT ASSEMBLY, Rocker 44"	
35	2118053	1	PIN, Round Head Drilled, 3/8 x 2	
36	1913744	2	NUT, Hex Jam, 1/2-13 NC-2B	
37	1704081A	1	TRUNNION, 2 Wide for 9/16 Rod	

Footnotes:

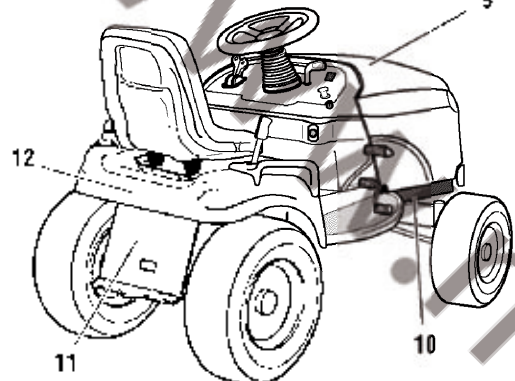
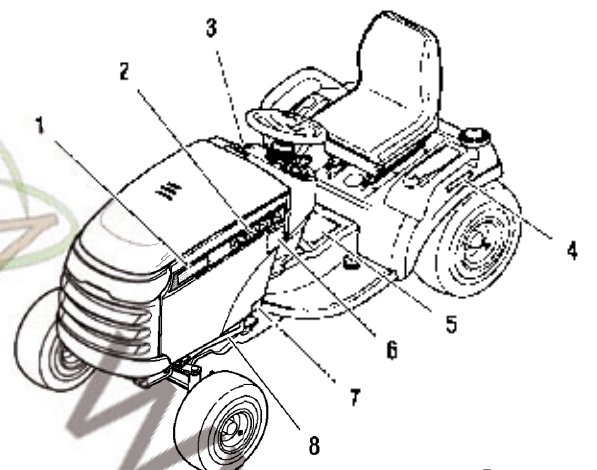
44" Mower Deck - Height Adjustment



44" Mower Deck - Height Adjustment

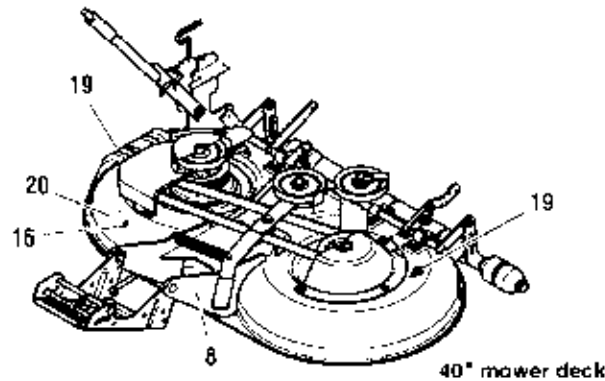
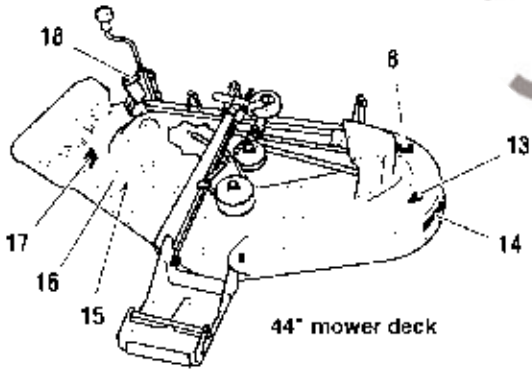
Item	Part No	Qty	Description	Note
38	1727135A	1	SUPPORT, Roller LH	
39	1714760	4	WHEEL, 2 Wide	
40	1960170	4	WASHER, 1/2	
41	2108765	4	BOLT, Wheel, 3/8-16 x 2-25/32	
42	1931350	1	CARRIAGE BOLT, 3/8-16 x 1 G5	
43	1704093	1	ROD, Adjustment, 28 Long	
44	2860681	1	NUT, Hex Toplock Spiral Flange 3/8-16	
45	1706644	1	SPACER	
46	1922606	1	CAPSCREW, Hex Head, 3/8-16 x 1-3/4 G8	
47	1931334	4	CARRIAGE BOLT, 5/16-18 x 7/8 G5	
48	1719852A	1	BRACKET, Wheel Guage LH	
49	1927557	4	NUT, Hex Flange Whiz Liock Large, 5/16-18	
50	1719853A	1	BRACKET, Wheel Guage RH	
51	1919381	1	WASHER, 5/16	
52	1704114	1	ROD, Indicator, 6-5/16 Long	
53	1727134A	1	SUPPORT, Plate	
54	1960103	2	WASHER, 3/8	

Footnotes:



6

MOWER DECK & BLADE	
Model	TP 400-5079-1
Part No.	198772
Rev.	198772
Qty.	1
Notes	1. See exploded view for assembly instructions.
	2. See exploded view for assembly instructions.
	3. See exploded view for assembly instructions.
	4. See exploded view for assembly instructions.
	5. See exploded view for assembly instructions.
	6. See exploded view for assembly instructions.
	7. See exploded view for assembly instructions.
	8. See exploded view for assembly instructions.
	9. See exploded view for assembly instructions.
	10. See exploded view for assembly instructions.
	11. See exploded view for assembly instructions.
	12. See exploded view for assembly instructions.
	13. See exploded view for assembly instructions.
	14. See exploded view for assembly instructions.
	15. See exploded view for assembly instructions.
	16. See exploded view for assembly instructions.
	17. See exploded view for assembly instructions.
	18. See exploded view for assembly instructions.
	19. See exploded view for assembly instructions.
	20. See exploded view for assembly instructions.



Decals Group

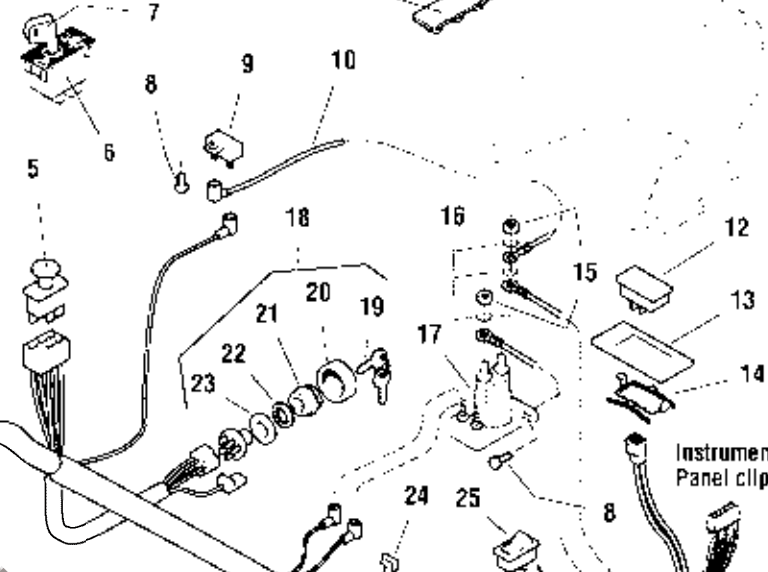
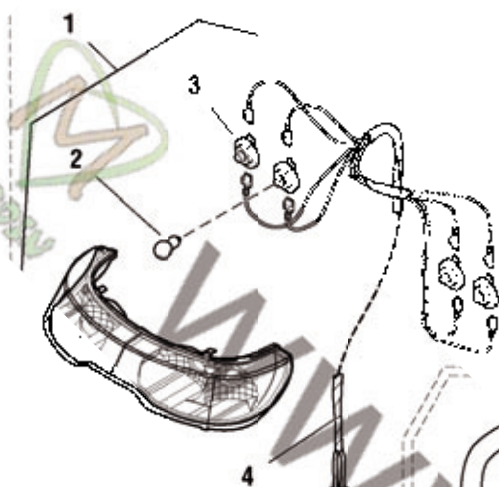
Item	Part No	Qty	Description	Note
1	1727749	2	DECAL, LT1840	
1	1727031	2	DECAL, LT2044	
2	1725065	1	DECAL, Hood Stripe, Snapper, LH	
2	1725066	1	DECAL, Hood Stripe, Snapper, RH	
3	1722806	1	DECAL, Ignition Switch Symbols, White/Black	
4	1718025	1	DECAL, Automatic Control Traction	
5	1726923	1	DECAL, Tunnel Cover, Danger Slopes/Blades	
6	1727014	1	DECAL, Drive Belts & Mower Blades	
7	1723296	2	DECAL, Protective Sticker	
8		1	* DECAL, I.D. Plate	
9	1708927	1	DECAL, Touch Up Paint	
10		1	* DECAL, Patent	
11	1723160	1	DECAL, Transmission Release Valve	
12	1725061	1	DECAL, Snapper	
13	1704276	1	DECAL, Danger Do Not Put Hands/Feet in Mower	
14	1722771	1	DECAL, Free Floating Mower, Silver	
15		1	* DECAL, OPEI Certified	
16	1722789	1	DECAL, 44", Silver on Black with Stripe	
17	1704277	1	DECAL, Danger Do Not Operate Without Deflector	
18	1721197	1	DECAL, Height of Cut, 38" & 44"	
19	1720389	2	DECAL, Danger Rotating Blades	
20	1722788	1	DECAL, 40", Silver on Black with Stripe	

Footnotes:

Note* Not a serviceable part.

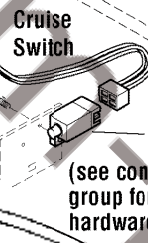
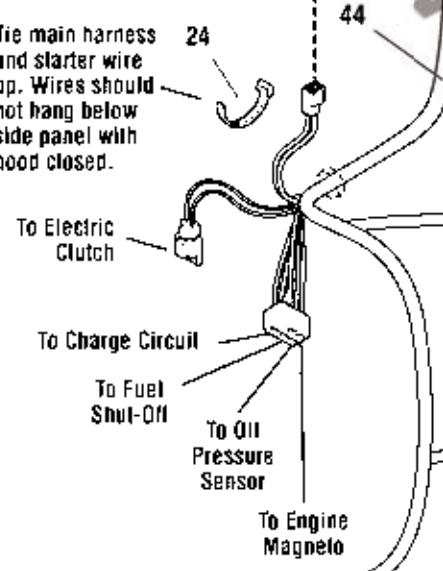
HOOD MOUNTED

DASH MOUNTED

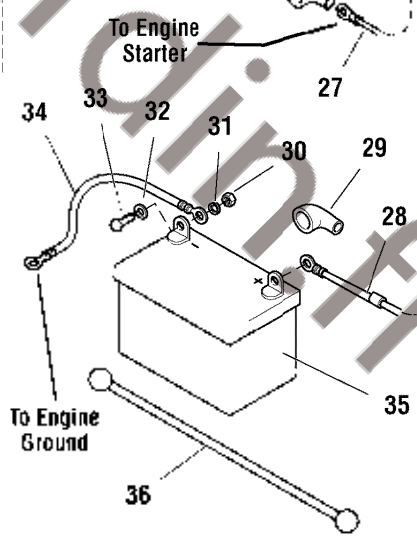


UNDER HOOD

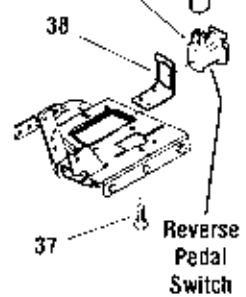
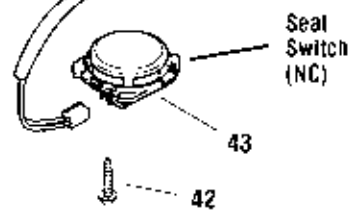
Tie main harness and starter wire up. Wires should not hang below side panel with hood closed.



UNDER HOOD



UNDER SEAT



UNDER FRAME

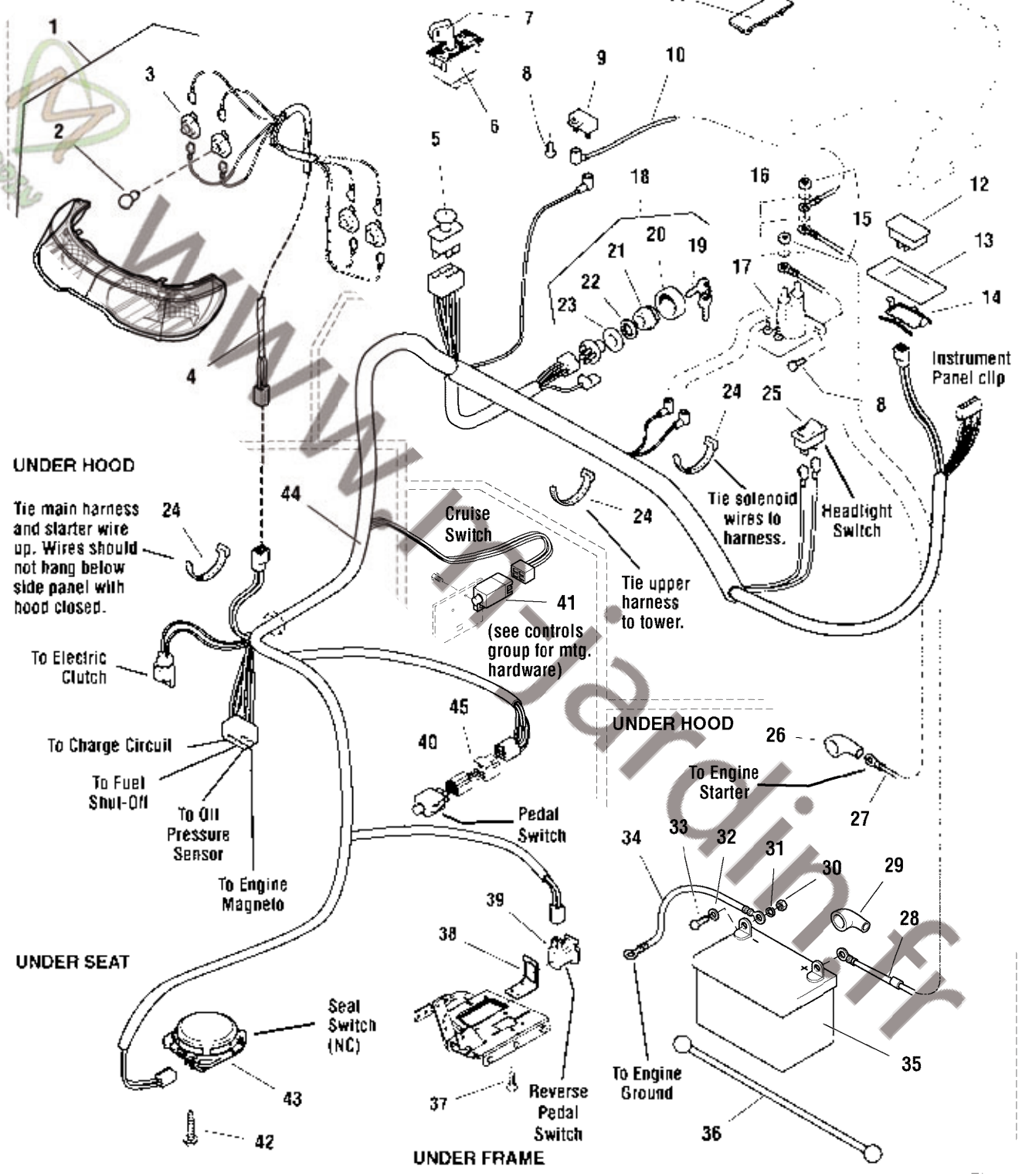
Electrical Group

Item	Part No	Qty	Description	Note
1	1721810	1	HEADLIGHT ASSEMBLY, 4 Bulb, (Includes Ref. Nos. 2 & 3)	
2	1677371	4	BULB, Headlight, 12.8V	
3	1723451	4	SOCKET ASSEMBLY, Headlight, Sealed	
4	1722669	1	HARNESS, Headlight	
5	1722887	1	SWITCH, PTO Push/Pull Symbols	
6	1726556	1	MODULE, RMO (Includes Ref. No. 7)	
7	1726557	1	KEY, RMO Module Plastic	
8	1925003	2	CAPSCREW, Hex Washer Head Taptite, 1/4-20 x 1/2, Black	
9	1665238	1	BREAKER, Circuit, 12 Volt 20 Amps	
10	1665237	1	WIRE, 12GA 5-15/16 Long, Red	
11	1722611	1	PLUG, Hole, Square	
12	1731184	1	HOUR METER, (Includes Ref. Nos. 12)	
13	1725524	1	PLUG, Dash	
14	1725835	1	CLIP, Hour Meter (Service Only)	
15	2820263	2	NUT, Hex, 5/16-24	
16	2820426	3	LOCKWASHER, External Tooth, 5/16	
17	1722739	1	SOLENOID	
18	1686734	1	SWITCH ASSEMBLY, Ignition, 6 Pin, (Includes Ref. Nos. 17, 18, 19, 20 & 21)	
19	1717163	1	KEYS, Set of 2	
20	1717550	1	COVER, For Ignition Switch, Plastic	
21	1717549	1	NUT, Hex Flange, 5/8-32, Ignition Switch	
22	1960547	1	LOCKWASHER, Internal Tooth, 5/8, Thin	
23	2101025	1	WASHER, Shim	
24	1701011	3	TIE, Strap, 7-5/16 Long	
25	1716951	1	SWITCH, Headlights , 2 Terminal	
26	1713535	1	BOOT, Insulator Cable Terminal, 1-15/16 Long, Red	
27	1721830	1	CABLE, #6 x 25" Long, Ring Terminals	
28	1603618	1	CABLE, #6 x 8" Long, Ring Terminals	
29	1677296	1	BOOT, Insulator Battery Terminal	
30	2816622	3	NUT, Hex, 1/4-20	
31	2816964	2	LOCKWASHER, 1/4	
32	2821319	2	WASHER, 1/4	
33	2823341	2	CAPSCREW, Hex Head, 1/4-20 x 3/4	
34	1713163	1	CABLE, #6 x 26 Long, Ring Terminal	
35	1685215	1	BATTERY, 12 Volt	
36	1722009	1	STRAP, Battery, 14 Long, Rubber	
37	1929000	2	CAPSCREW, Hex Head Taptite, 1/4-20 x 3/8	

Footnotes:

HOOD MOUNTED

DASH MOUNTED



Electrical Group

Item	Part No	Qty	Description	Note
38	1726810A	1	BRACKET, Switch Mount	
39	1732004	1	SWITCH, Reverse Pedal	
40	1732006	1	SWITCH, Push Button, Foot Pedal	
41	1717050	1	SWITCH, Cruise Control, Grey, NO	
42	1960536	2	CAPSCREW, Hex Washer Head Plastite, 1/4 x 1/2	
43	1716368	1	SWITCH, Seat, Grey, NC	
44	1730192	1	HARNESS, Wiring	
45	1734025	1	WIRING ASSEMBLY, All Conditions Shutdown	(CE/Export)

www.m-jardin.fr

Footnotes:



www.majard.fr



**Yvan Béal - 21, av. de l'Agriculture - B.P 16
Z.I. du Brézet - 63014 Clermont-Ferrand Cedex 2
Tél : 04 73 91 93 51 - Télécopie : 04 73 90 23 11
www.yvanbeal.fr - E-mail : info@yvanbeal.fr
R.C.S. B 304 973 886 - S.A.S. au capital de 612 000 €**