

# Installation Instruction, Electrical

Applicable for K750i / K750c

## Contents

<b>1</b>	<b>General.....</b>	<b>2</b>
<b>2</b>	<b>Go/No Go Testing.....</b>	<b>2</b>
2.1	Test Set-up Go/No Go test .....	2
2.2	Test Set .....	3
2.3	RF Connections Antenna Coupler.....	3
2.4	RF Connections Antenna adapter (optional) .....	3
<b>3</b>	<b>Calibration.....</b>	<b>4</b>
3.1	Test set up – SERP (only authorized centers) .....	4
3.2	Test Set .....	5
3.3	Power Supply.....	5
3.4	Battery eliminator.....	5
3.5	GPIB card and cable .....	5
3.6	RF Connection.....	5
3.7	SonyEricsson programming interface – SEPI .....	5
3.8	SonyEricsson programming interface cable .....	5
3.9	USB PC cable .....	5
<b>4</b>	<b>General Equipment.....</b>	<b>6</b>
4.1	Test Set up .....	6
4.2	Computer .....	7
4.3	Service Card Reader and Service Card.....	7
4.4	SonyEricsson programming interface – DCU-60.....	7
4.5	Label Printer (optional) .....	7
4.6	Infrared Device .....	7
4.7	Bluetooth Device .....	7
<b>5</b>	<b>Software .....</b>	<b>8</b>
5.1	EMMA III.....	8
5.2	Labelmake II software (optional) .....	8
5.3	Go/No Go script .....	8
5.4	SERP (only authorized centers).....	8
<b>6</b>	<b>Revision History .....</b>	<b>9</b>

# 1 General

The Electrical Installation Instructions describes the procedures for installing all of the hardware and software needed to perform testing, calibration, software loading and repair activities at an Electrical level for the Sony Ericsson products specified.

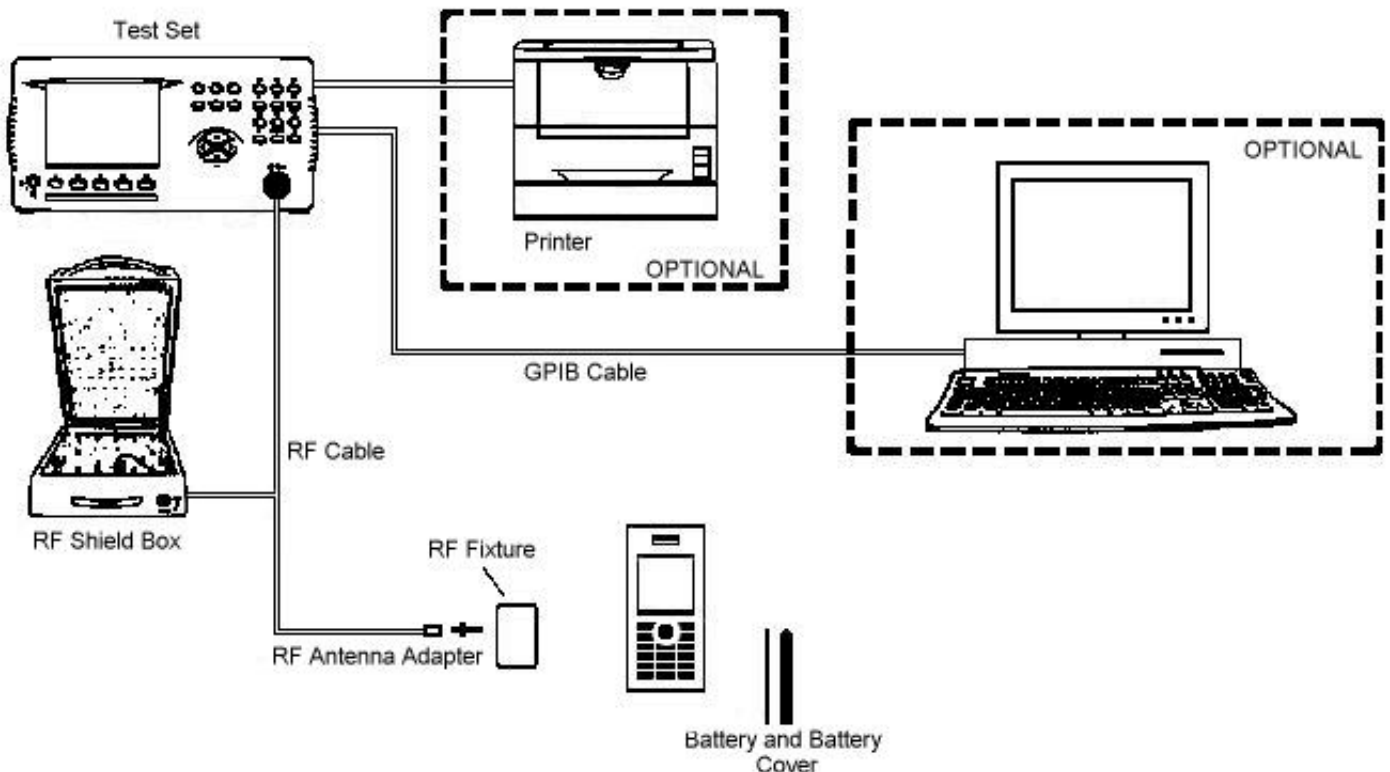
**NOTE!** This product is manufactured with lead-free solder and lead-free components. During electrical repair, it is critical to make sure that no lead is introduced into the product. For this reason, certain repair materials and equipment must be designated as lead-free and labelled accordingly. A lead-free work area must be setup that is completely separated from work areas that are used to make leaded repairs. Certain items must be designated for lead-free work only. Some of the items that need to be clearly labelled in this way are listed in the Equipment List Electrical. Note that any item that contacts the solder must be labelled and used for lead-free work only.

# 2 Go/No Go Testing

There are two options for performing a Go No/Go test. One is to use an RF Fixture and the other is to use an antenna coupler together with a shielding box.

## 2.1 Test Set-up Go/No Go test

All test hardware necessary for this test set up is documented in the Electrical Equipment List.



## **2.2 Test Set**

An E-GSM 900/GSM 1800/GSM 1900 Test Set approved according to the Instrument List must be used.

It should be installed according to the Instrument Manufacturer Instructions.

## **2.3 RF Connections Antenna Coupler**

Connect the RF Cable between the RF-port of the Test set and the RF Shield box. The Antenna Coupler should be installed into the RF Shield Box according to manufacturer instructions.

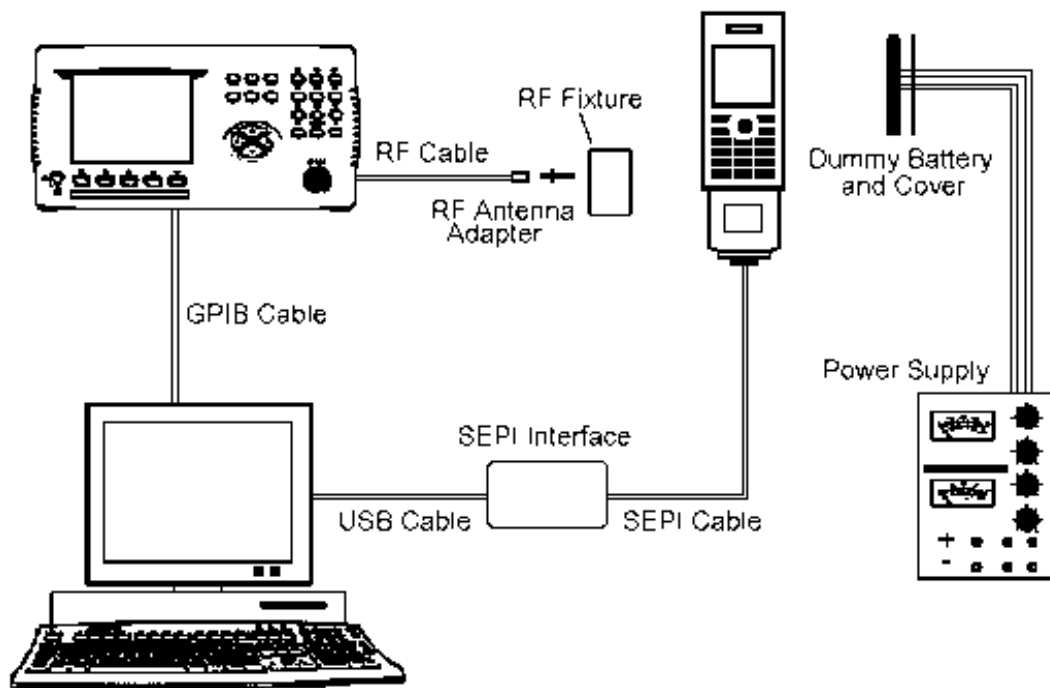
## **2.4 RF Connections Antenna adapter (optional)**

Connect the RF-cable between the RF-port of the Test set and the Antenna adapter. Assemble the RF adapter to the RF-holder according to the information in the Test Instruction Electrical.

## 3 Calibration

### 3.1 Test set up – SERP (only authorized centers)

All test hardware necessary for this test set up is documented in the Electrical Equipment and Instrument List.



### **3.2 Test Set**

A Test Set approved according to the Instrument List must be used. It should be installed according to the Instrument Manufacturer Instructions.

### **3.3 Power Supply**

Power Supply according to Instrument List must be used.

### **3.4 Battery eliminator**

Battery eliminator is to be used together with a power supply to power the phone during the calibration. Connect the cables from the battery eliminator to the power supply, red cable to positive output terminal and black cable to negative output terminal.

### **3.5 GPIB card and cable**

GPIB card and cable according to the Equipment List. Use the GPIB cable to connect the GPIB card to the test instrument.

### **3.6 RF Connection**

RF-holder and RF adapter according to Equipment List. Connect the RF adapter to the RF cable. The RF adapter is held on the phone with the RF fixture.

### **3.7 SonyEricsson programming interface – SEPI**

The USB programming interface is delivered with the necessary software and instruction for installation. The USB programming interface (SEPI) should be connected to an USB-port on the computer.

### **3.8 SonyEricsson programming interface cable**

The cable is the interface between the USB programming interface (SEPI) and the phone.

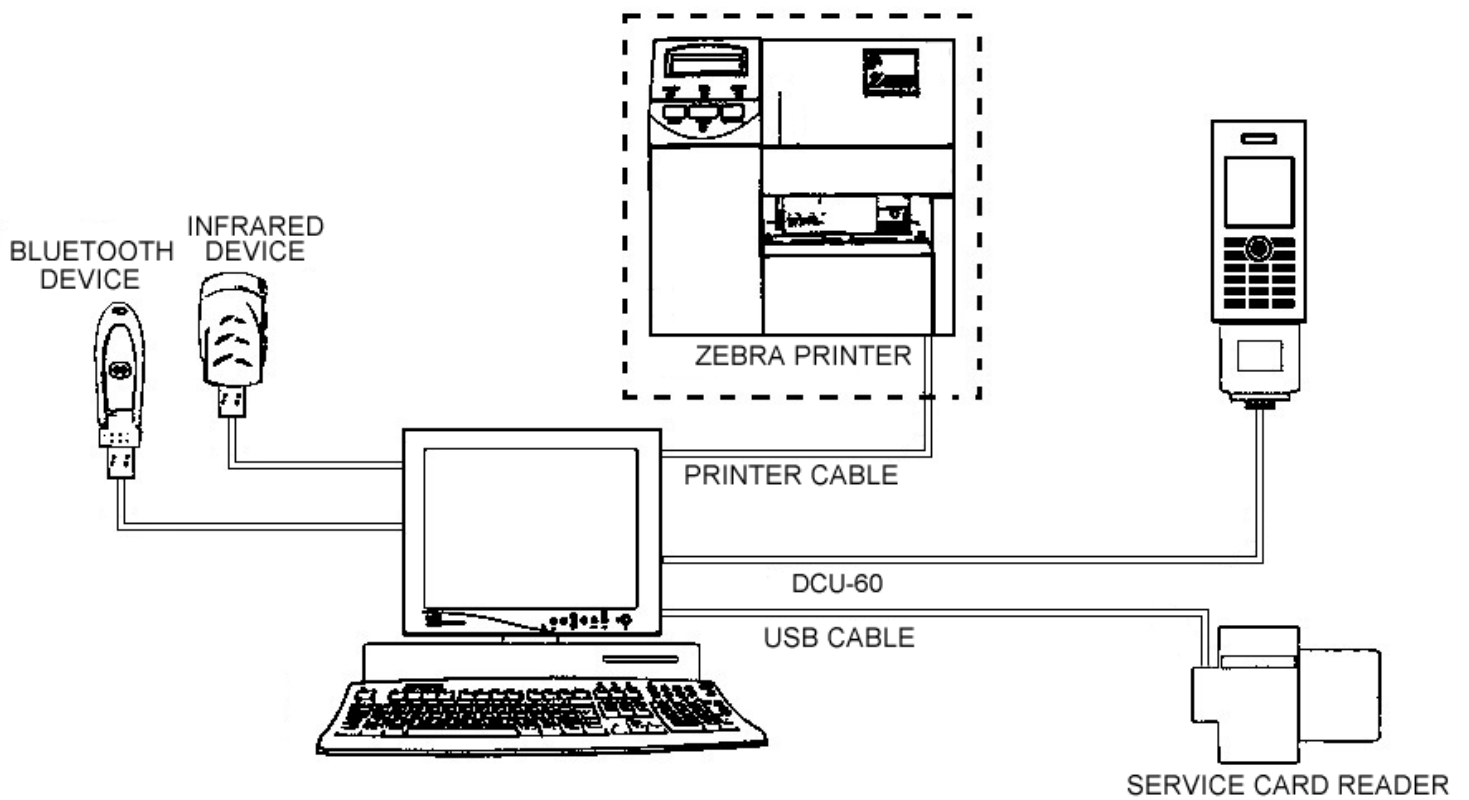
### **3.9 USB PC cable**

The A-B Plug-Plug cable is the interface between the computer and the USB programming interface (SEPI). Connect the cable between the USB programming interface and the computer.

## 4 General Equipment

### 4.1 Test Set up

General Test set up to perform SW loading and manual test according to Test Instruction. All necessary hardware for this test set up is documented in the Electrical Equipment list.



## **4.2 Computer**

IBM compatible computer is required. The computer should include at least two USB-ports. Refer to Equipment List for minimum requirements.

## **4.3 Service Card Reader and Service Card**

The Service Card Reader is delivered with the necessary software and instructions for installation. The Service Card Reader should be connected to an USB-port on the computer.

## **4.4 SonyEricsson programming interface – DCU-60**

The cable is the interface between the computer and the phone. DCU-60 cable should be connected to an USB-port on the computer.

## **4.5 Label Printer (optional)**

A Zebra printer model 90xi, 90xiII or 4000 deluxe shall be used. Connect the printer with a standard RS 232 serial printer cable [refer to the Zebra printer manual] to the serial port on the computer. Read the Zebra installation manual for more information about the installation.

## **4.6 Infrared Device**

RS 232 or USB type infrared adapter may be used. Install according to the manufactures instructions.

## **4.7 Bluetooth Device**

Any Bluetooth device as headset, other Bluetooth phone or other Bluetooth device can be used to verify the Bluetooth function in the phone. Set up the connection according to the chosen equipments manufacturer.

## 5 Software

### 5.1 EMMA III

EMMA III contains all software required to service the product. Installation and user manuals are available in the EMMA III start page.

<http://ma3.extranet.sonyericsson.com/ma3/>

### 5.2 Labelmake II software (optional)

LabelMake II is an application installed through Java Web Start.

Access the Labelmake software from [CSPN](#) Web page.

You will find LabelMake II in the dropdown menu on the CSPN web page.

<http://cspn.extranet.sonyericsson.com>

Press “START LabelMake II “button and you will be directed to the LABELMAKE II client page.

Product labels are downloaded on-line from a remote server database.

### 5.3 Go/No Go script

An approved Sony Ericsson Test Script must be installed in the Test Instrument. The script can be downloaded from [CSPN](#). The Test Script is located on [CSPN](#) under **Repair Instructions / Standard**.

<http://cspn.extranet.sonyericsson.com>

Install the script according to the Instrument Manufacture’s Instruction.

### 5.4 SERP (only authorized centers)

Download the latest revision of SERP application from [CSPN](#). This application is located under **Repair Instructions/Standard/SERP Install package**

<http://cspn.extranet.sonyericsson.com>

Unzip the file and open the Installation instructions.

Follow the Install instructions to install SERP.



## 6 Revision History

<b>Rev.</b>	<b>Date</b>	<b>Changes / Comments</b>
A	2005-05-13	Initial release
B	2005-05-19	Updated information about Labelmake II

[www.s-manuals.com](http://www.s-manuals.com)