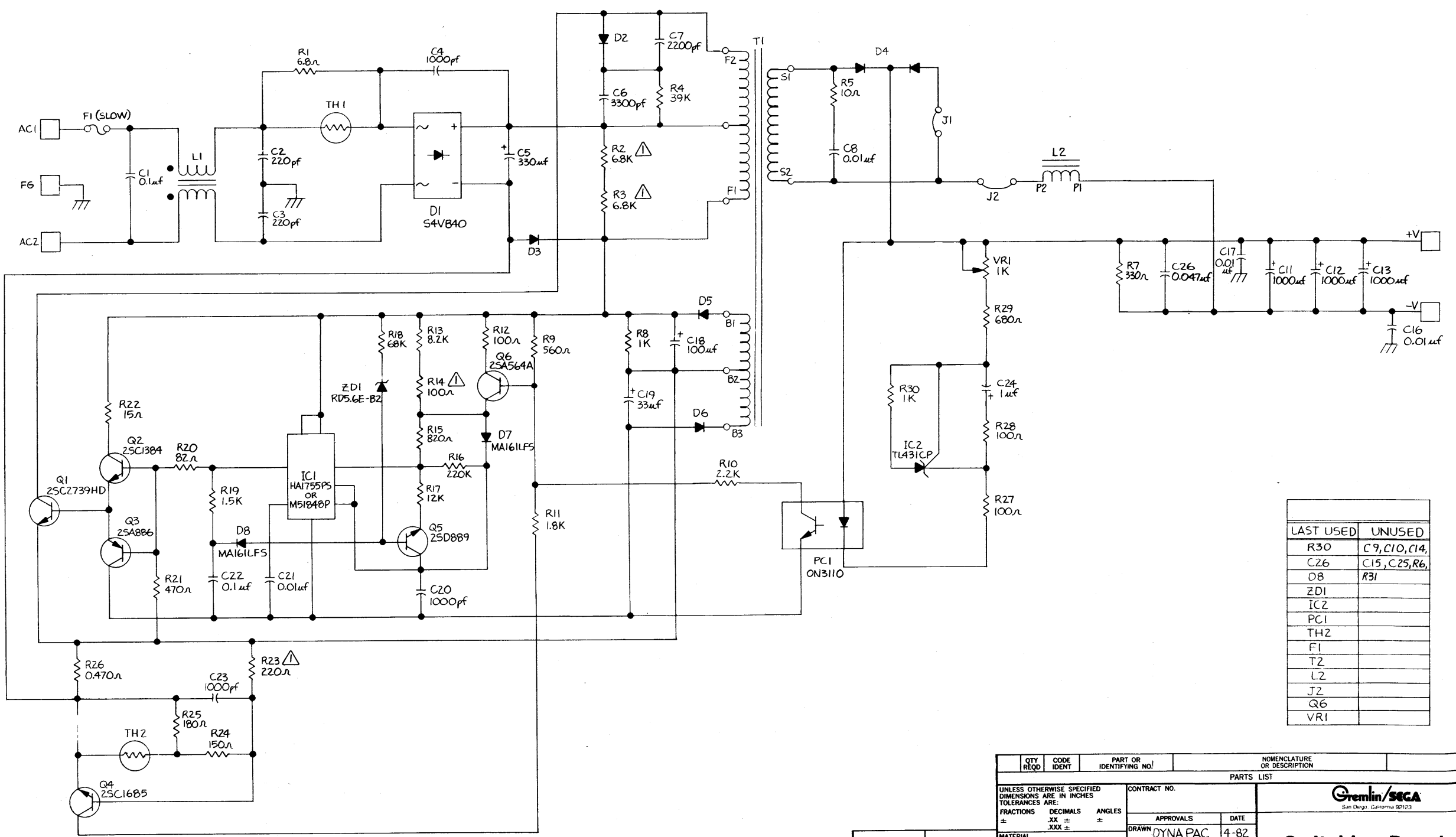


REVISIONS				
ZONE	LTR	DESCRIPTION	DATE	APPROVED
-	-	SEE SHT 1		



LAST USED	UNUSED
R30	C9, C10, C14,
C26	C15, C25, R6,
D8	R31
ZD1	
IC2	
PC1	
TH2	
F1	
T2	
L2	
J2	
Q6	
VRI	

NOTES:  
 ▲ VALUE MAY VARY.

QTY	REQD	CODE	IDENT	PART OR IDENTIFYING NO.	NOMENCLATURE OR DESCRIPTION	ITEM NO.
PARTS LIST						
UNLESS OTHERWISE SPECIFIED DIMENSIONS ARE IN INCHES TOLERANCES ARE:				CONTRACT NO.		
FRACTIONS ± .XX				APPROVALS		
DECIMALS ± .XXX				DATE		
ANGLES ±				DRAWN DYNAPAC 4-82		
MATERIAL				CHECKED <i>[Signature]</i> 5-6-82		
FINISH				MECH		
NEXT ASSY				ELEC		
USED ON				MFG		
APPLICATION				PROJECT		
DO NOT SCALE DRAWING				SCALE NONE		

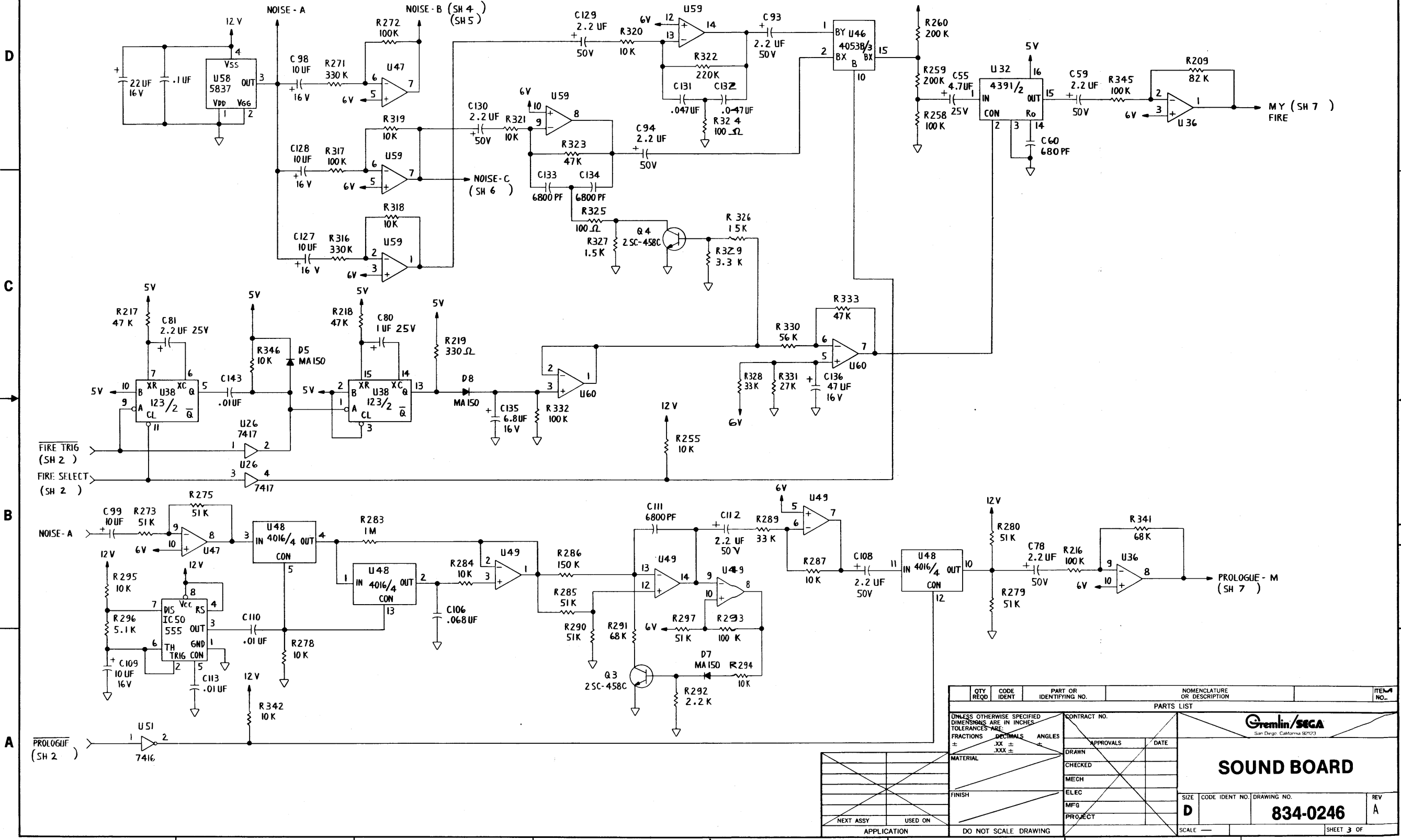
  

Gremlin/SEGA San Diego, California 92123	
<b>Switching Regulator</b>	
SIZE D	CODE IDENT NO. DRAWING NO. 601-0692
REV A	SHEET 5 OF 5

601-0692

8 7 6 5 4 3 2 1

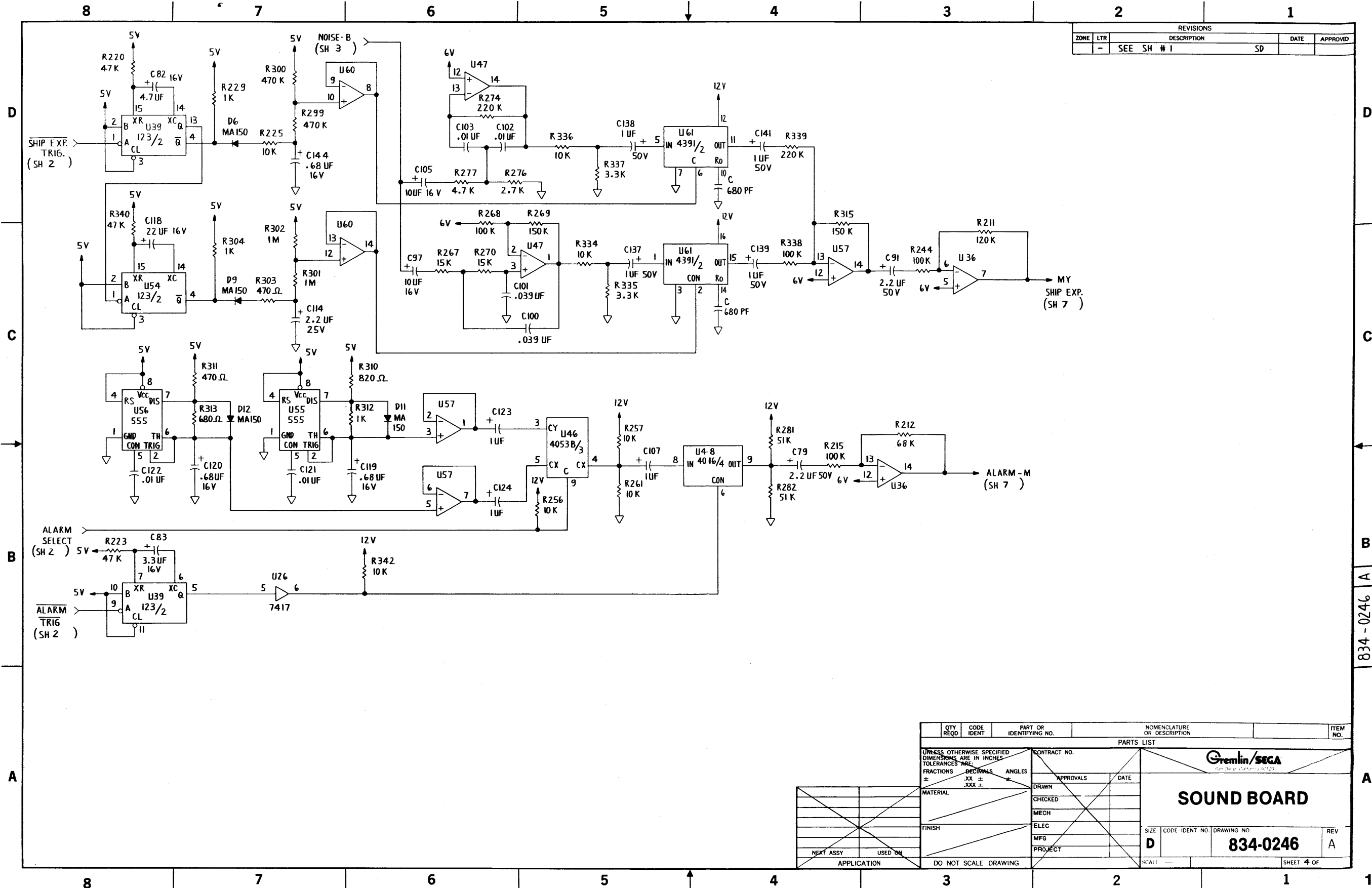
REVISIONS				
ZONE	LTR	DESCRIPTION	DATE	APPROVED
-	SEE SH # 1		SD	



QTY REQD	CODE IDENT	PART OR IDENTIFYING NO.	NOMENCLATURE OR DESCRIPTION	ITEM NO.
PARTS LIST				
UNLESS OTHERWISE SPECIFIED DIMENSIONS ARE IN INCHES TOLERANCES ARE: FRACTIONS DECIMALS ANGLES ± .XX ± .XXX ± °				
MATERIAL		CONTRACT NO.		 San Diego, California 92123
FINISH		APPROVALS		
NEXT ASSY		USED ON		DATE
APPLICATION		DO NOT SCALE DRAWING		SCALE
DRAWN			SOUND BOARD	
CHECKED			SIZE CODE IDENT NO. DRAWING NO.	
MECH			D 834-0246	
ELEC			REV A	
MFG			SHEET 3 OF	
PROJECT				

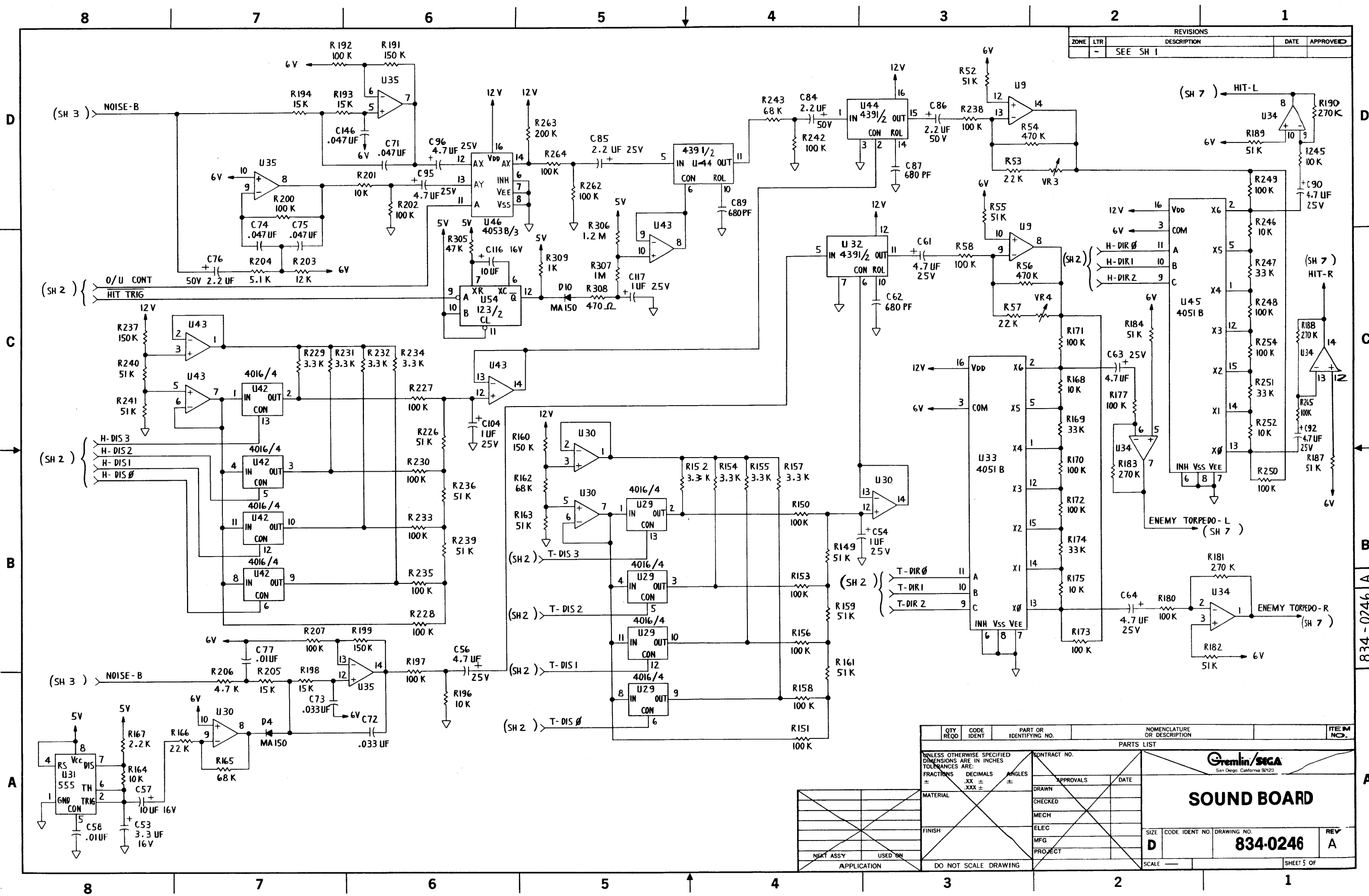
834-0246

REVISIONS				
ZONE	LTR	DESCRIPTION	DATE	APPROVED
-	SEE SH # 1	SD		



834-0246 A

QTY REQD	CODE IDENT	PART OR IDENTIFYING NO.	NOMENCLATURE OR DESCRIPTION	ITEM NO.
PARTS LIST				
UNLESS OTHERWISE SPECIFIED DIMENSIONS ARE IN INCHES TOLERANCES ARE:		CONTRACT NO.		
FRACTIONS	DECIMALS	ANGLES	APPROVALS	
±	.XX ±	±	DATE	
	.XXX ±			
MATERIAL	FINISH	DO NOT SCALE DRAWING		
DRAWN		<h1 style="margin: 0;">SOUND BOARD</h1>		
CHECKED		<p>SIZE CODE IDENT NO. DRAWING NO. REV</p> <p><b>D</b>      <b>834-0246</b>      <b>A</b></p>		
MECH		<p>SCALE</p>		
ELEC		<p>SHEET 4 OF</p>		
MFG				
PROJECT				



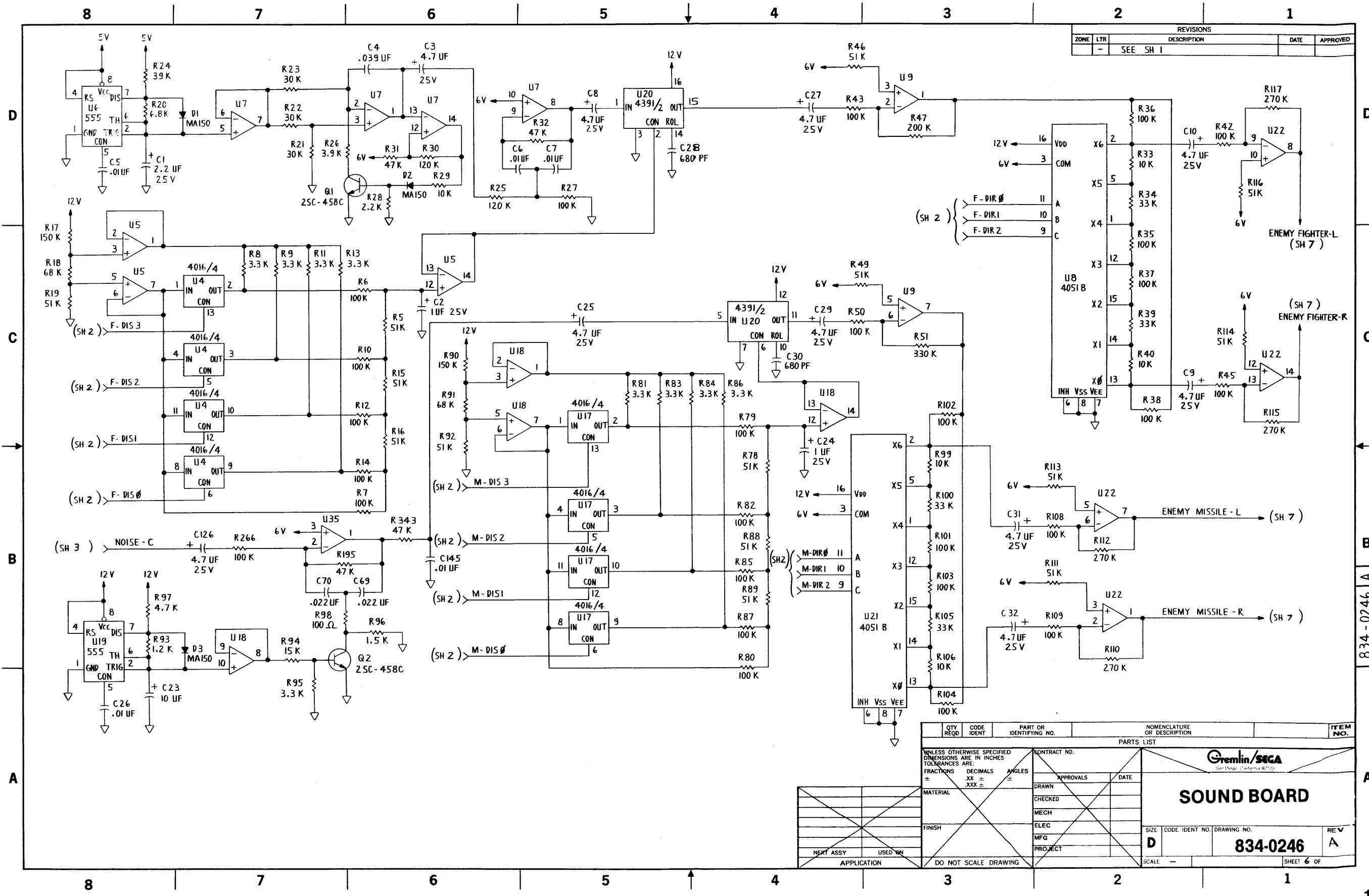
REVISIONS				
ZONE	LTR	DESCRIPTION	DATE	APPROVED
-	-	SEE SH 1		

QTY REQD	CODE IDENT	PART OR IDENTIFYING NO.	NOMENCLATURE OR DESCRIPTION	ITEM NO.
PARTS LIST				
UNLESS OTHERWISE SPECIFIED DIMENSIONS ARE IN INCHES TOLERANCES ARE:		CONTRACT NO.		
FRACTIONS	DECIMALS	ANGLES	APPROVALS	DATE
±	±	±	DRAWN	
±	±	±	CHECKED	
±	±	±	MECH	
±	±	±	ELEC	
±	±	±	MFG	
±	±	±	PROJECT	
MATERIAL		FINISH		
FINISH		SCALE		
NEXT ASSY		USED ON		
APPLICATION		DO NOT SCALE DRAWING		

<b>Gremlin/SIGA</b> San Diego California 92123	
<b>SOUND BOARD</b>	
SIZE	CODE IDENT NO. DRAWING NO.
D	834-0246
REV	A
SHEET 5 OF	

834-0246 A



REVISIONS				
ZONE	LTR	DESCRIPTION	DATE	APPROVED
-	-	SEE SH 1		

(SH 2)  
 F-DIR 0  
 F-DIR 1  
 F-DIR 2

ENEMY FIGHTER-L  
 (SH 7)

ENEMY FIGHTER-R  
 (SH 7)

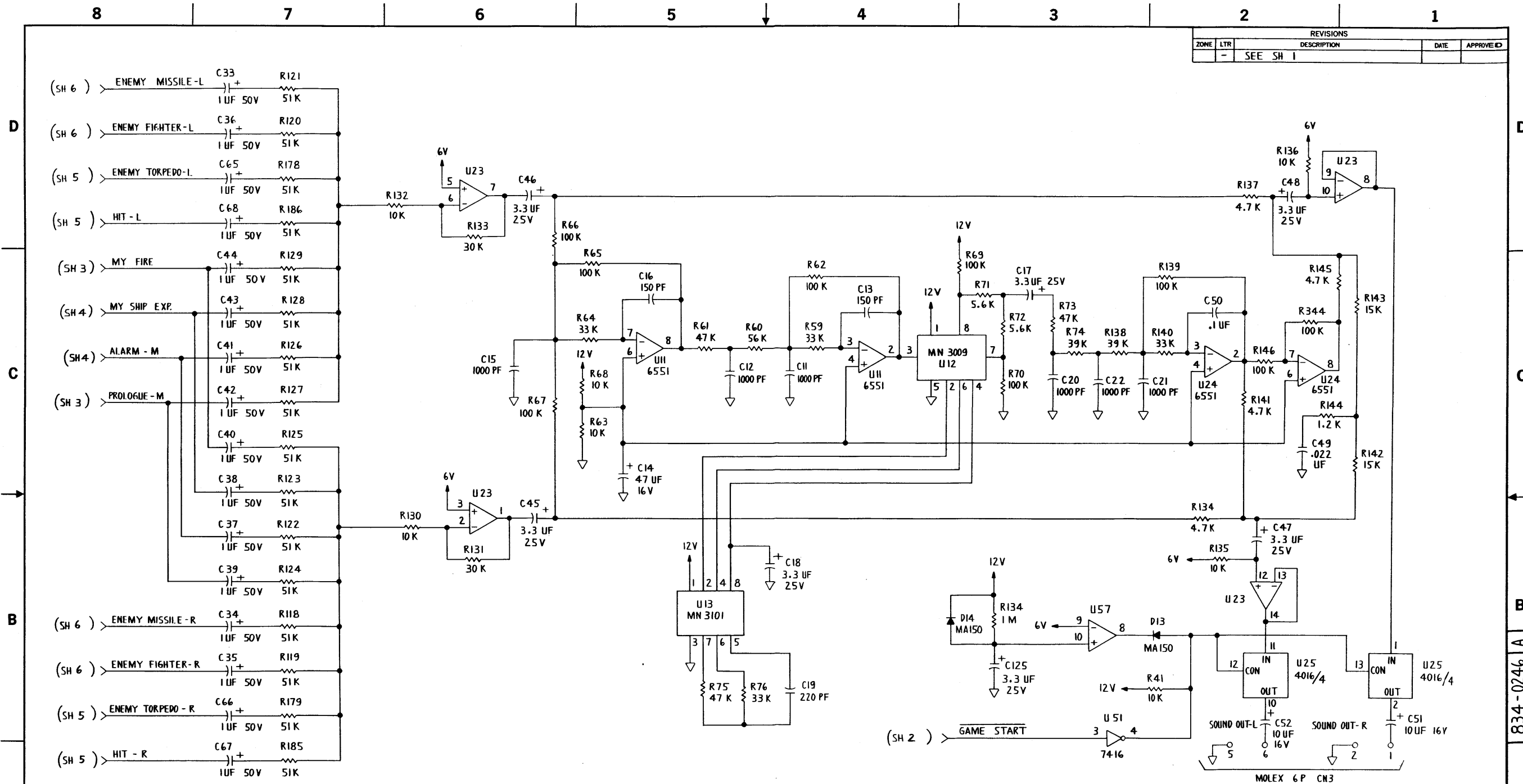
ENEMY MISSILE-L  
 (SH 7)

ENEMY MISSILE-R  
 (SH 7)

834-0246

QTY REQD	CODE IDENT	PART OR IDENTIFYING NO.	NOMENCLATURE OR DESCRIPTION	ITEM NO.
PARTS LIST				
UNLESS OTHERWISE SPECIFIED DIMENSIONS ARE IN INCHES TOLERANCES ARE:				
FRACTIONS	DECIMALS	ANGLES		
±	.xx ±	±		
	.xxx ±			
MATERIAL		CONTRACT NO.		APPROVALS
FINISH		DATE		DATE
NEXT ASSY		USED ON		DRAWN
APPLICATION		DO NOT SCALE DRAWING		CHECKED
				MECH
				ELEC
				MFG
				PROJECT
<b>Gremlin/SECA</b>				REV
<b>SOUND BOARD</b>				A
SIZE CODE IDENT NO. DRAWING NO.				REV
D 834-0246				A
SCALE				SHEET 6 OF

REVISIONS				
ZONE	LTR	DESCRIPTION	DATE	APPROVED
-	-	SEE SH 1		



QTY REQD	CODE IDENT	PART OR IDENTIFYING NO.	NOMENCLATURE OR DESCRIPTION	ITEM NO.
PARTS LIST				
UNLESS OTHERWISE SPECIFIED DIMENSIONS ARE IN INCHES TOLERANCES ARE:		CONTRACT NO.		
FRACTIONS	DECIMALS	ANGLES	APPROVALS	DATE
±	.XX ±	±	DRAWN	
	.XXX ±		CHECKED	
MATERIAL			MECH	
FINISH			ELEC	
			MFG	
			PROJECT	
NEXT ASSY		USED ON		APPLICATION
				DO NOT SCALE DRAWING
				SCALE
				SHEET 7 OF

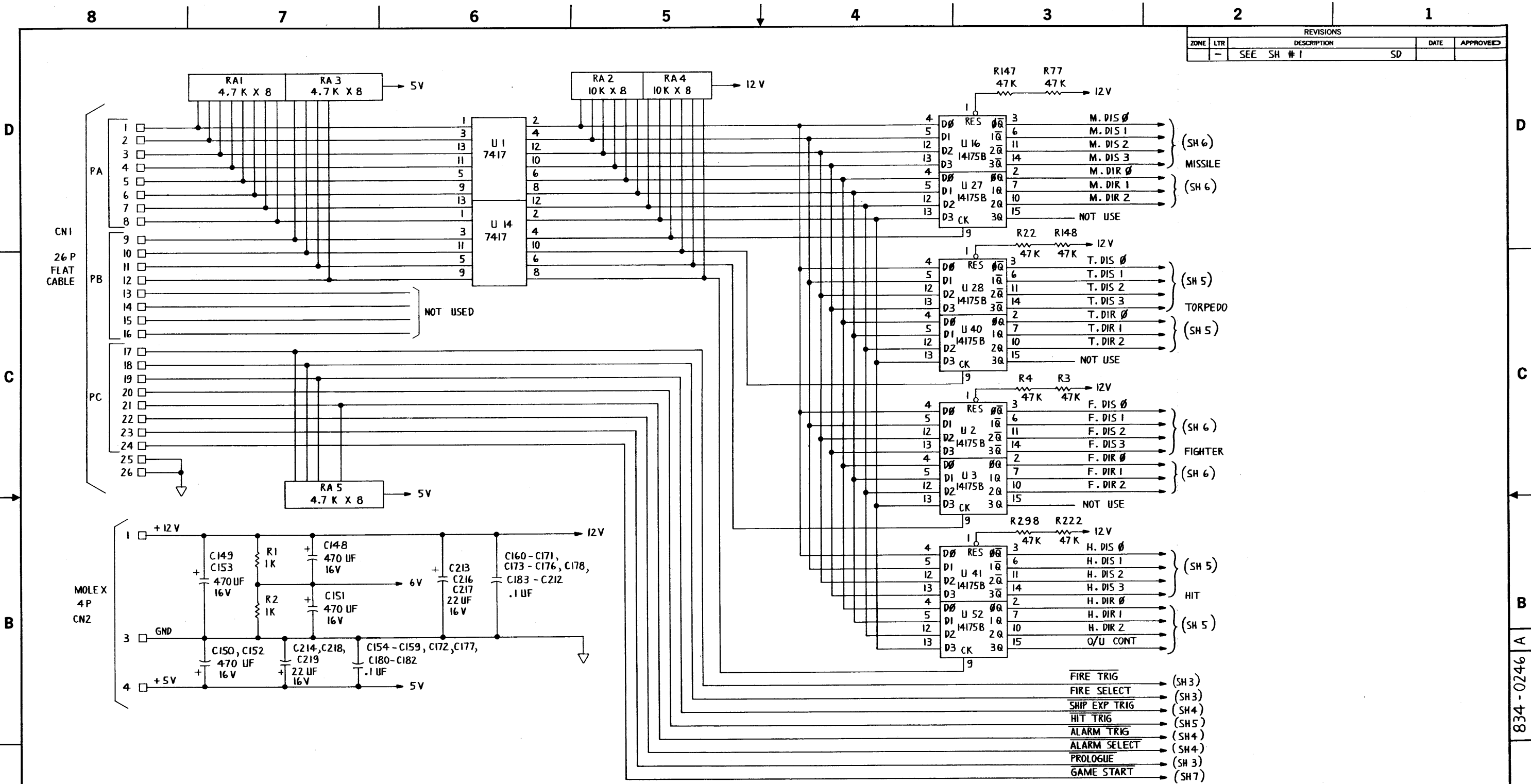
**Gremlin/SEGA**  
San Diego, California 92131

**SOUND BOARD**

SIZE CODE IDENT NO. DRAWING NO. REV  
**D 834-0246 A**

834-0246 A

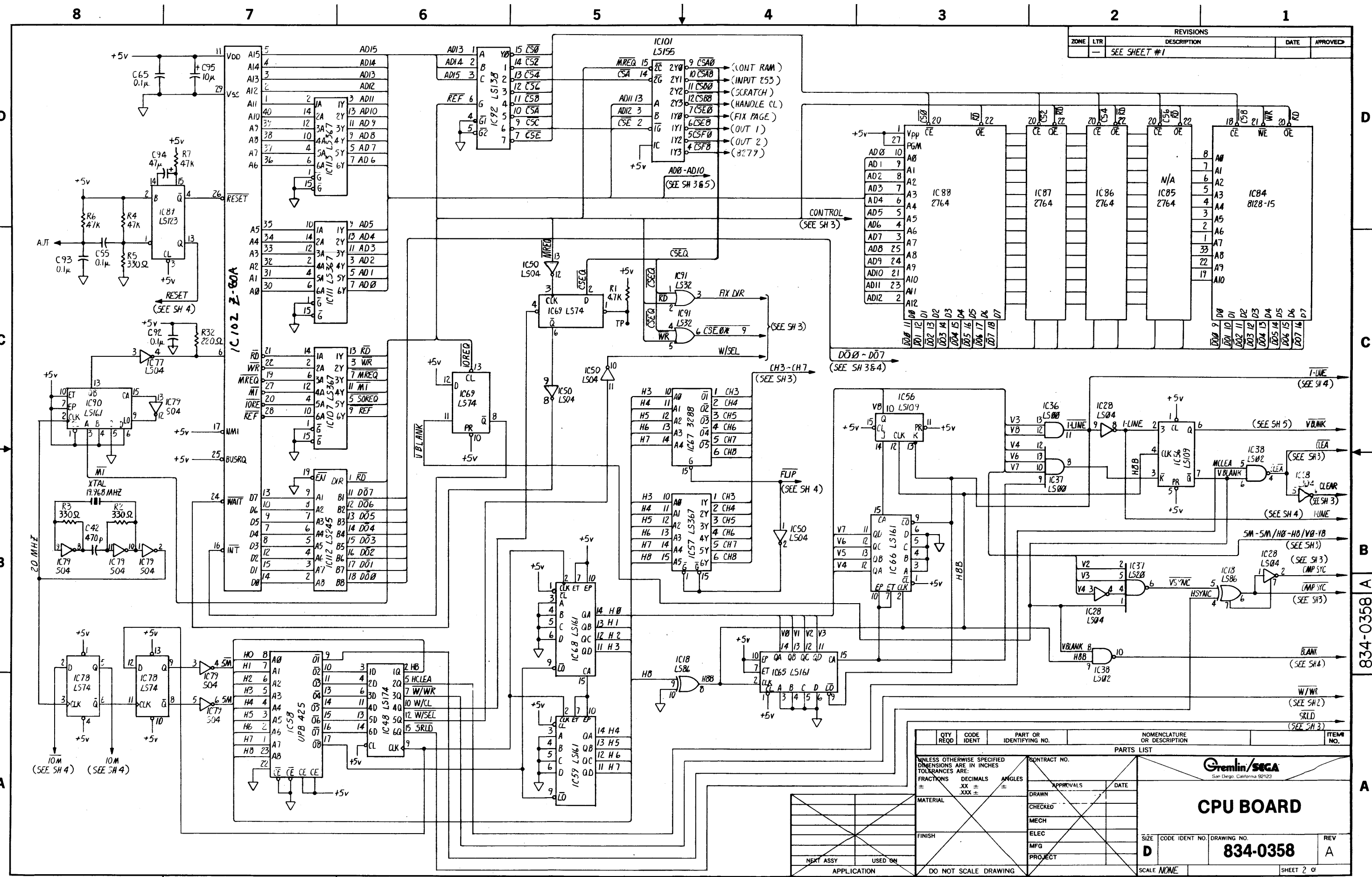
REVISIONS				
ZONE	LTR	DESCRIPTION	DATE	APPROVED
-	-	SEE SH # 1	SD	



QTY REQD	CODE IDENT	PART OR IDENTIFYING NO.	NOMENCLATURE OR DESCRIPTION	ITEM NO.
PARTS LIST				
UNLESS OTHERWISE SPECIFIED DIMENSIONS ARE IN INCHES TOLERANCES ARE:		CONTRACT NO.		
FRACTIONS	DECIMALS	ANGLES	APPROVALS	DATE
±	.XX ±	°		
	.XXX ±			
MATERIAL		 <b>SOUND BOARD</b>		
FINISH				
NEXT ASSY USED ON				
APPLICATION				
DO NOT SCALE DRAWING		SIZE: <b>D</b> CODE IDENT NO.: <b>834-0246</b> DRAWING NO.: <b>834-0246</b> REV: <b>A</b>		SHEET 2 OF

834-0246 A

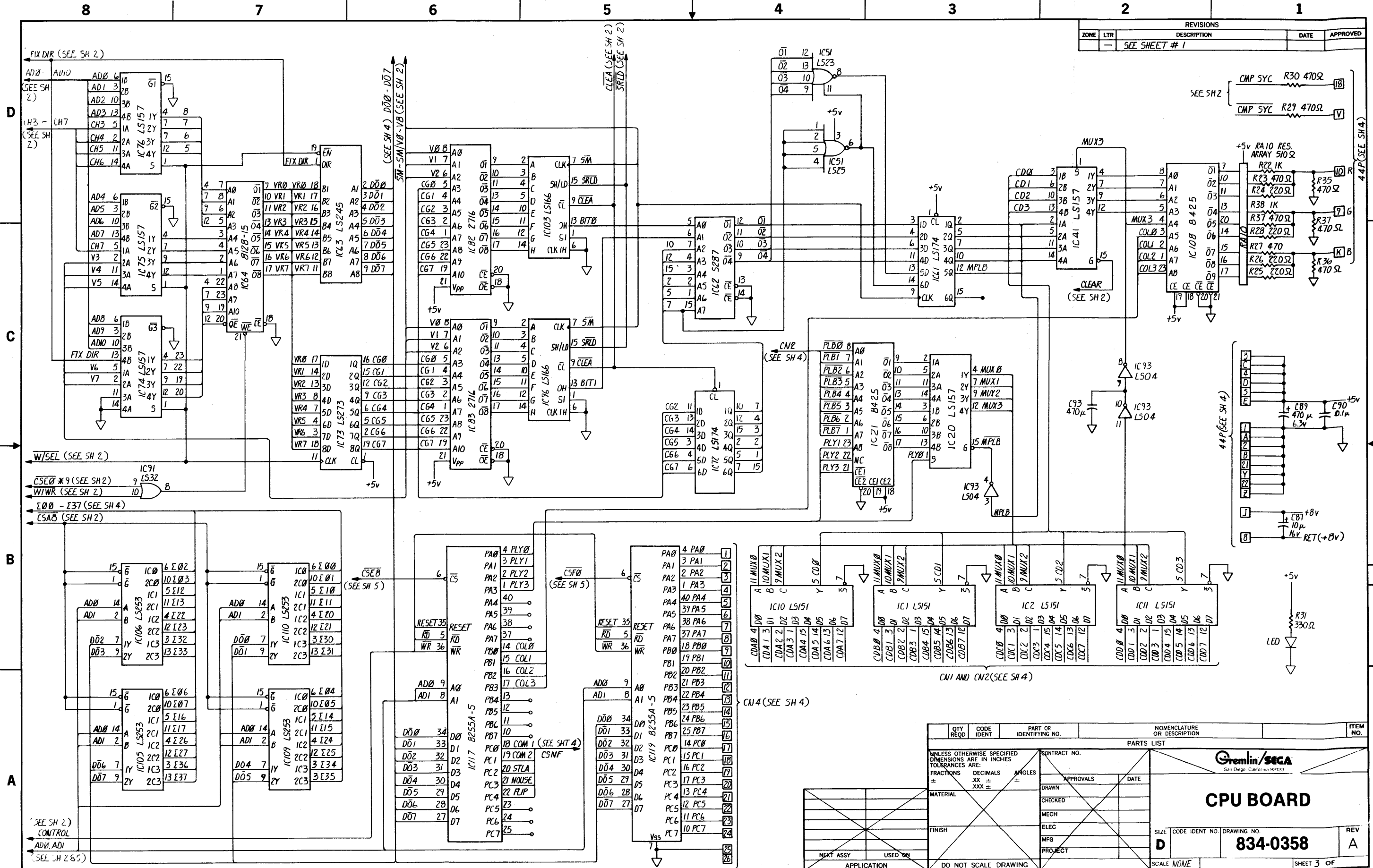
REVISIONS				
ZONE	LTR	DESCRIPTION	DATE	APPROVED
-	-	SEE SHEET #1		



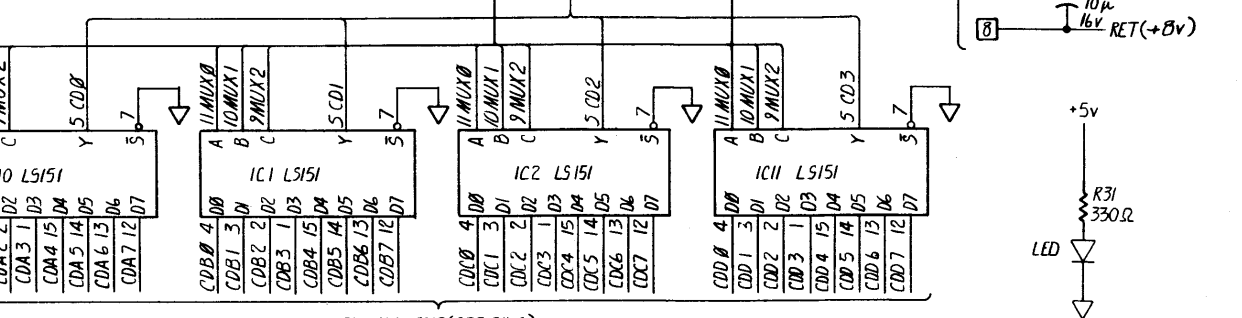
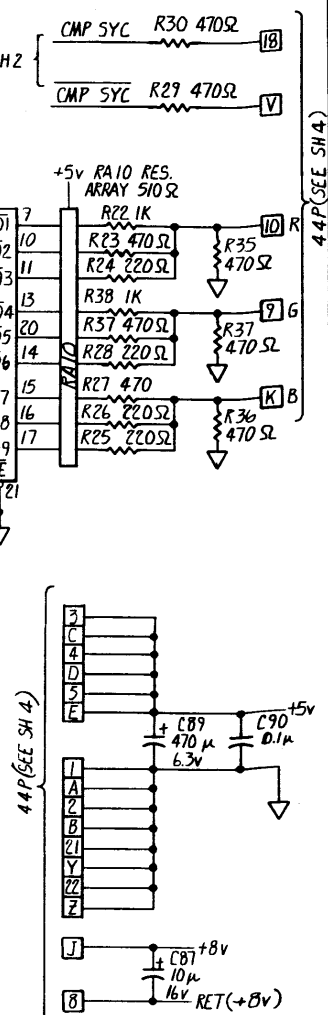
QTY REQD	CODE IDENT	PART OR IDENTIFYING NO.	NOMENCLATURE OR DESCRIPTION	ITEM NO.
PARTS LIST				
UNLESS OTHERWISE SPECIFIED DIMENSIONS ARE IN INCHES TOLERANCES ARE: FRACTIONS DECIMALS ANGLES ± .XX ± .XXX ±				
CONTRACT NO.				
APPROVALS DATE				
DRAWN				
CHECKED				
MECH				
ELEC				
MFG				
PROJECT				
NEXT ASSY USED ON				
APPLICATION DO NOT SCALE DRAWING				
 San Diego, California 92122				
<b>CPU BOARD</b>				
SIZE	CODE IDENT NO.	DRAWING NO.	REV	
D		834-0358	A	
SCALE NONE SHEET 2 OF				

834-0358 A





REVISIONS				
ZONE	LTR	DESCRIPTION	DATE	APPROVED
		SEE SHEET # 1		



QTY REQD	CODE IDENT	PART OR IDENTIFYING NO.	NOMENCLATURE OR DESCRIPTION	ITEM NO.

UNLESS OTHERWISE SPECIFIED DIMENSIONS ARE IN INCHES TOLERANCES ARE:		CONTRACT NO.	APPROVALS	DATE
FRACTIONS	DECIMALS			
±	.XX ±	±		

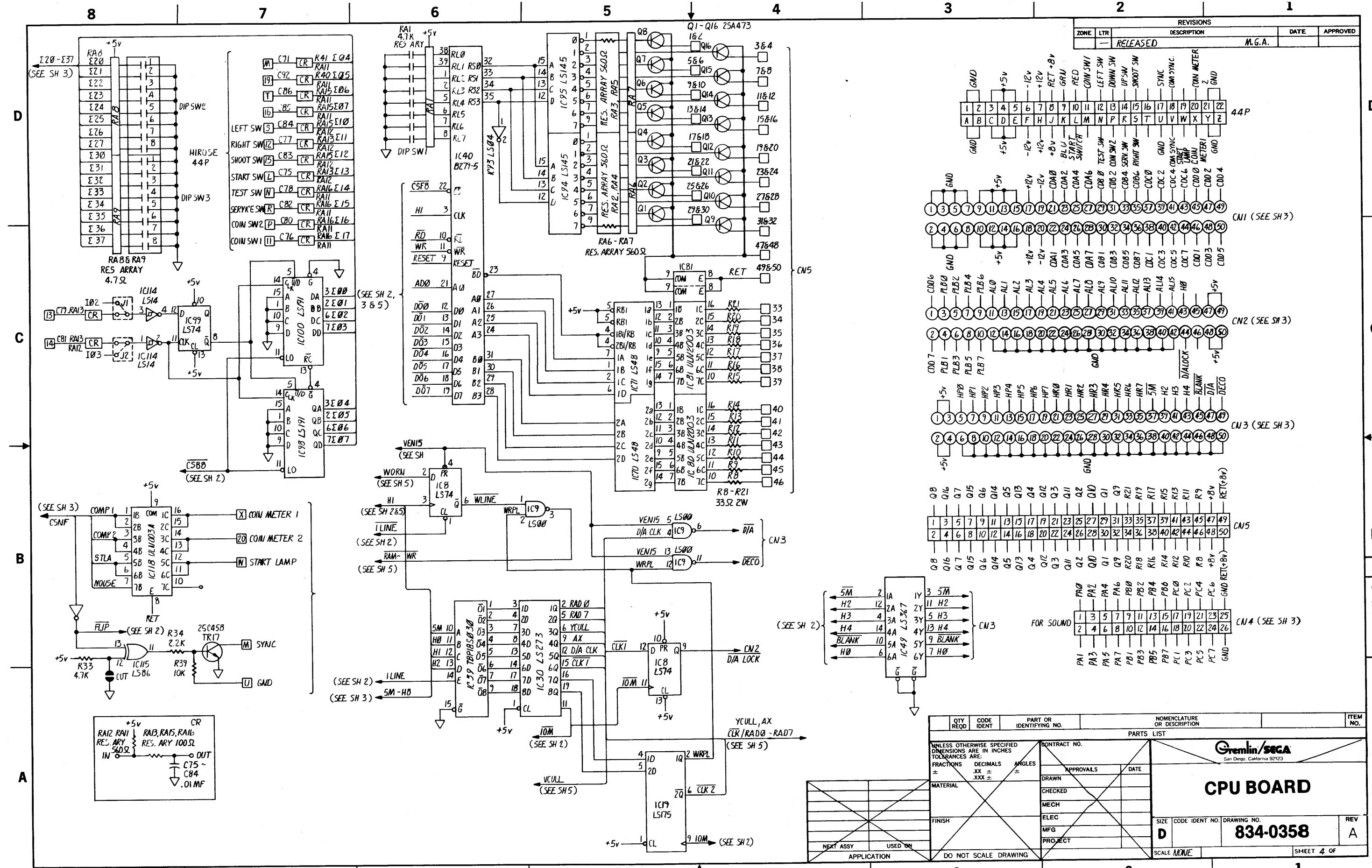
  

DRAWN		CHECKED		MECH		ELEC		MFG		PROJECT	

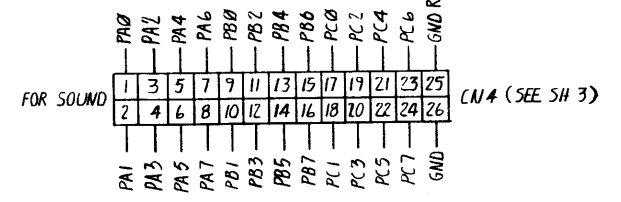
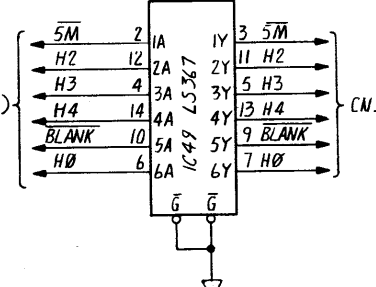
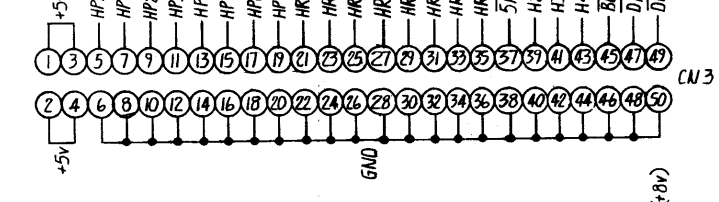
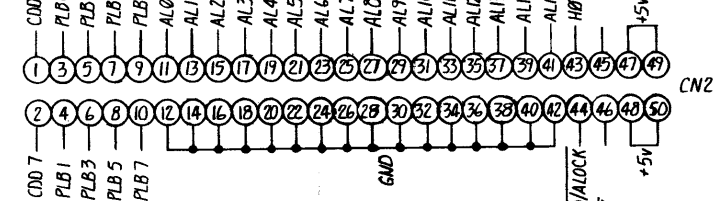
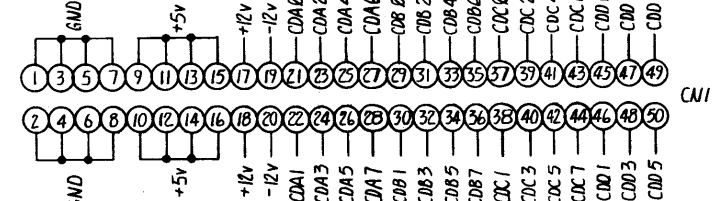
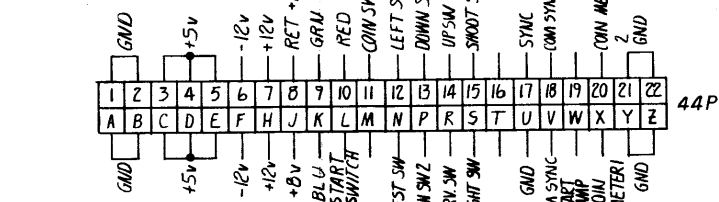
  

SIZE	CODE IDENT NO.	DRAWING NO.	REV
D		834-0358	A

834-0358

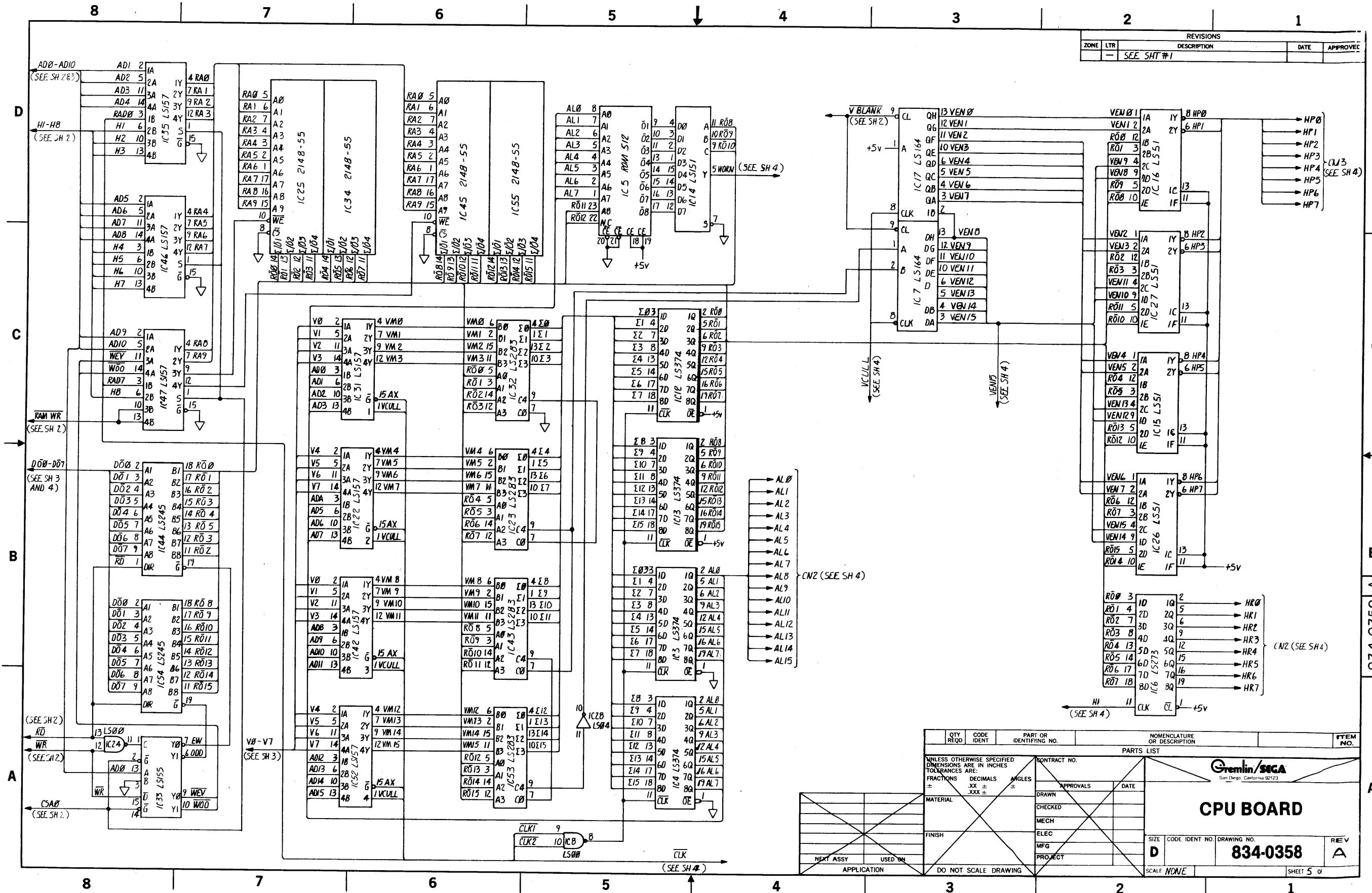


REVISIONS				
ZONE	LTR	DESCRIPTION	DATE	APPROVED
		RELEASED		M.G.A.



QTY REQD	CODE IDENT	PART OR IDENTIFYING NO.	NOMENCLATURE OR DESCRIPTION	ITEM NO.
PARTS LIST				
<p>UNLESS OTHERWISE SPECIFIED DIMENSIONS ARE IN INCHES TOLERANCES ARE:</p> <p>FRACTIONS DECIMALS ANGLES</p> <p>± .XX ± ± .XXX ± ±</p>				
MATERIAL		CONTRACT NO.		<p><b>Gremlin/SEGA</b></p> <p>San Diego, California 92123</p> <p><b>CPU BOARD</b></p>
FINISH		APPROVALS		
NEXT ASSY		USED ON		DATE
APPLICATION		DO NOT SCALE DRAWING		REV
<p>SIZE CODE IDENT NO. DRAWING NO.</p> <p><b>D 834-0358</b></p>				<p>SCALE <b>NONE</b></p> <p>SHEET <b>4</b> OF</p>

834-0358 A



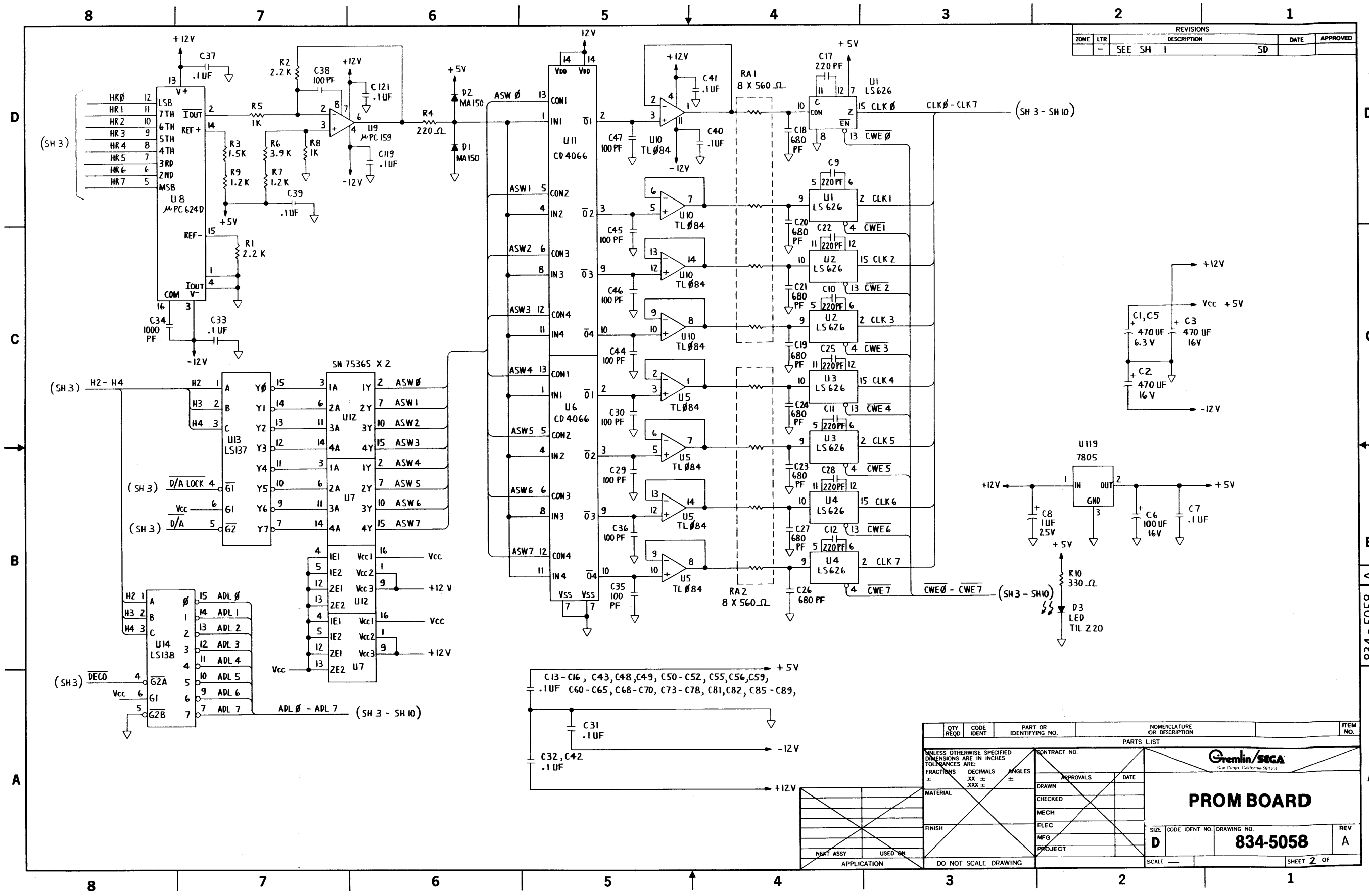
REVISIONS				
ZONE	LTR	DESCRIPTION	DATE	APPROVEE
-	-	SEE SH 1		

- AL0
- AL1
- AL2
- AL3
- AL4
- AL5
- AL6
- AL7
- AL8
- AL9
- AL10
- AL11
- AL12
- AL13
- AL14
- AL15

QTY REQD	CODE IDENT	PART OR IDENTIFYING NO.	NOMENCLATURE OR DESCRIPTION	ITEM NO.
PARTS LIST				
UNLESS OTHERWISE SPECIFIED DIMENSIONS ARE IN INCHES TOLERANCES ARE:				
FRACTIONS		DECIMALS		
±		±		
ANGLES		±		
±		±		
MATERIAL		FINISH		
DRAWN		CHECKED		
MECH		ELEC		
MFG		PROJECT		
APPROVALS		DATE		
CONTRACT NO.		DRAWING NO.		
DRAWN		REV		
MECH		D		
ELEC		834-0358		
MFG		SCALE NONE		
PROJECT		SHEET 5 OF		

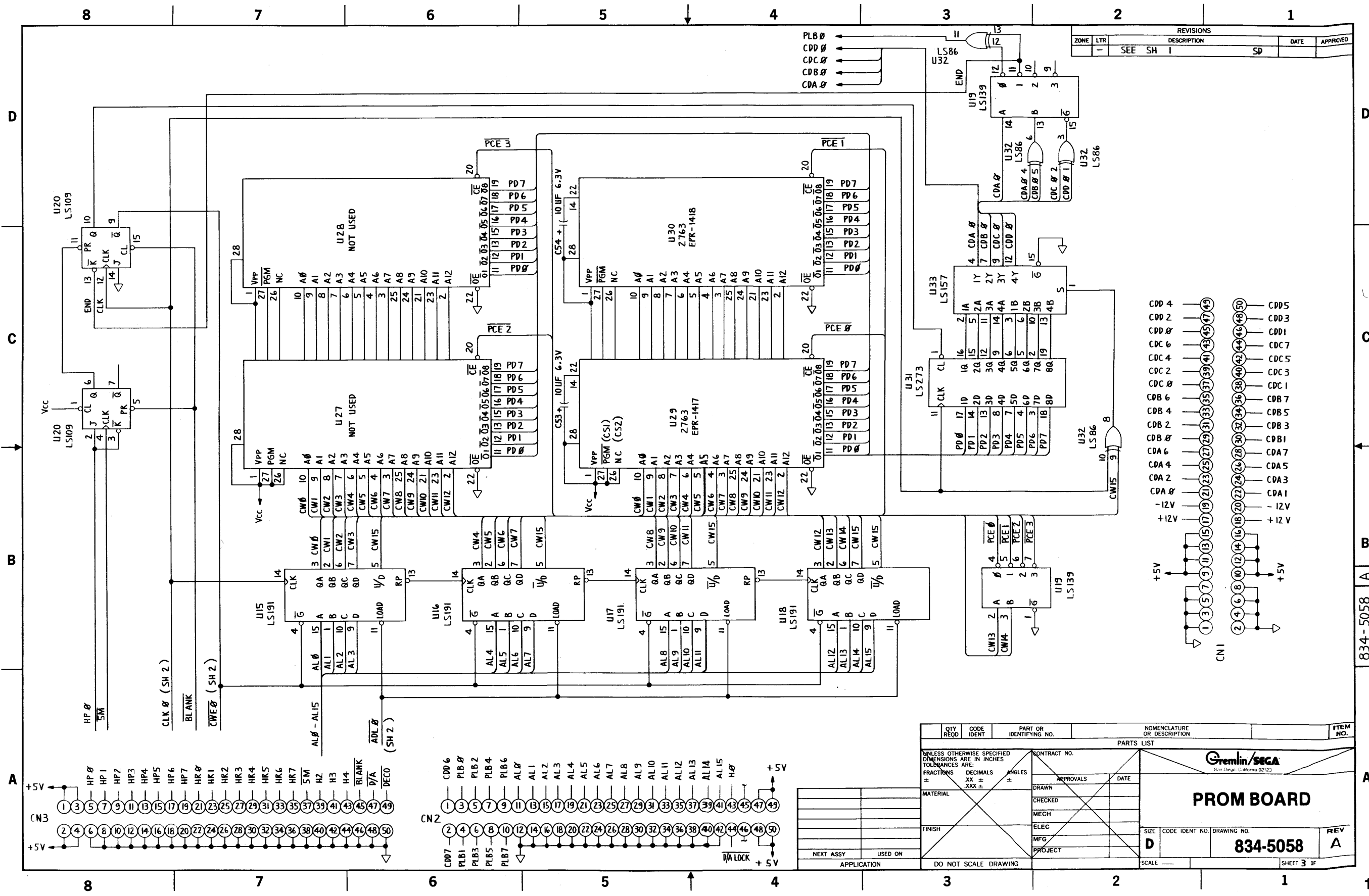
834-0358 A

REVISIONS				
ZONE	LTR	DESCRIPTION	DATE	APPROVED
-	SEE SH 1		SD	

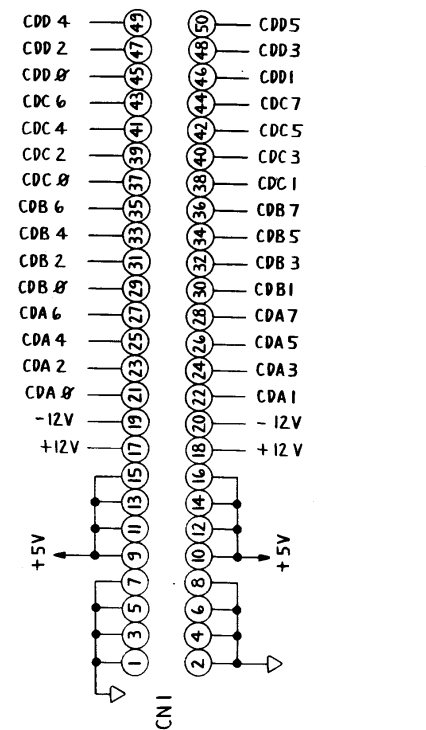


834-5058

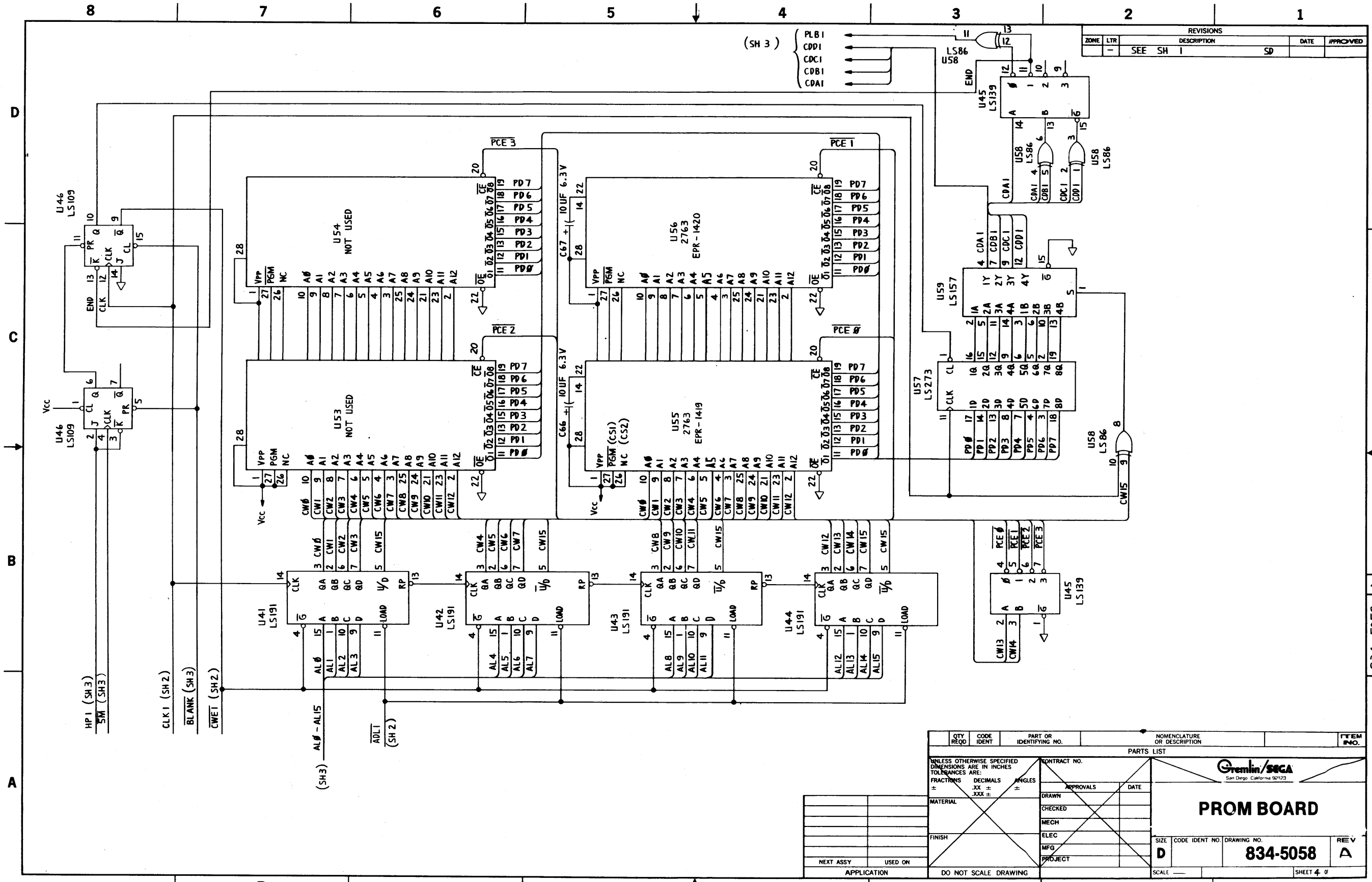
QTY REQD	CODE IDENT	PART OR IDENTIFYING NO.	NOMENCLATURE OR DESCRIPTION	ITEM NO.
PARTS LIST				
UNLESS OTHERWISE SPECIFIED DIMENSIONS ARE IN INCHES TOLERANCES ARE:		CONTRACT NO.		
FRACTIONS	DECIMALS	ANGLES	APPROVALS	DATE
±	.XX ±	±		
	.XXX ±			
MATERIAL		DRAWN		
FINISH		CHECKED		
NEXT ASSY		MECH		
USED ON		ELEC		
APPLICATION		MFG		
DO NOT SCALE DRAWING		PROJECT		
SCALE		SIZE		
		CODE IDENT NO. DRAWING NO.		
		D 834-5058		
		REV A		
		SHEET 2 OF		



REVISIONS				
ZONE	LTR	DESCRIPTION	DATE	APPROVED
-	SEE SH 1		SD	



QTY REQD	CODE IDENT	PART OR IDENTIFYING NO.	NOMENCLATURE OR DESCRIPTION	ITEM NO.
PARTS LIST				
UNLESS OTHERWISE SPECIFIED DIMENSIONS ARE IN INCHES TOLERANCES ARE:		CONTRACT NO.		
FRACTIONS	DECIMALS	ANGLES	APPROVALS	DATE
+	.XX	±	DRAWN	
-	.XXX		CHECKED	
MATERIAL		FINISH		
FINISH		ELEC		
NEXT ASSY		MFG		
USED ON		PROJECT		
APPLICATION		DO NOT SCALE DRAWING		
<p style="text-align: center;"><b>Gremlin/SEGA</b> San Diego, California 92123</p> <h2 style="text-align: center;">PROM BOARD</h2>			<p>SIZE CODE IDENT NO. DRAWING NO. REV</p> <p style="text-align: center;"><b>D 834-5058 A</b></p>	
SCALE			SHEET 3 OF	



REVISIONS				
ZONE	LTR	DESCRIPTION	DATE	APPROVED
-	SEE SH 1			

(SH 3) PLB I  
 CDC I  
 CDB I  
 CDA I

HP 1 (SH 3)  
 SW (SH 3)  
 CLK 1 (SH 2)  
 BLANK (SH 3)  
 CWET (SH 2)

(SH 3) AL 0 - AL 15  
 ADLT (SH 2)

QTY REQD	CODE IDENT	PART OR IDENTIFYING NO.	NOMENCLATURE OR DESCRIPTION	ITEM NO.

UNLESS OTHERWISE SPECIFIED DIMENSIONS ARE IN INCHES TOLERANCES ARE:

FRACTIONS	DECIMALS	ANGLES
±	± .XX	± .XXX

CONTRACT NO. \_\_\_\_\_

APPROVALS: \_\_\_\_\_ DATE \_\_\_\_\_

DRAWN \_\_\_\_\_ CHECKED \_\_\_\_\_ MECH \_\_\_\_\_ ELEC \_\_\_\_\_ MFG \_\_\_\_\_ PROJECT \_\_\_\_\_

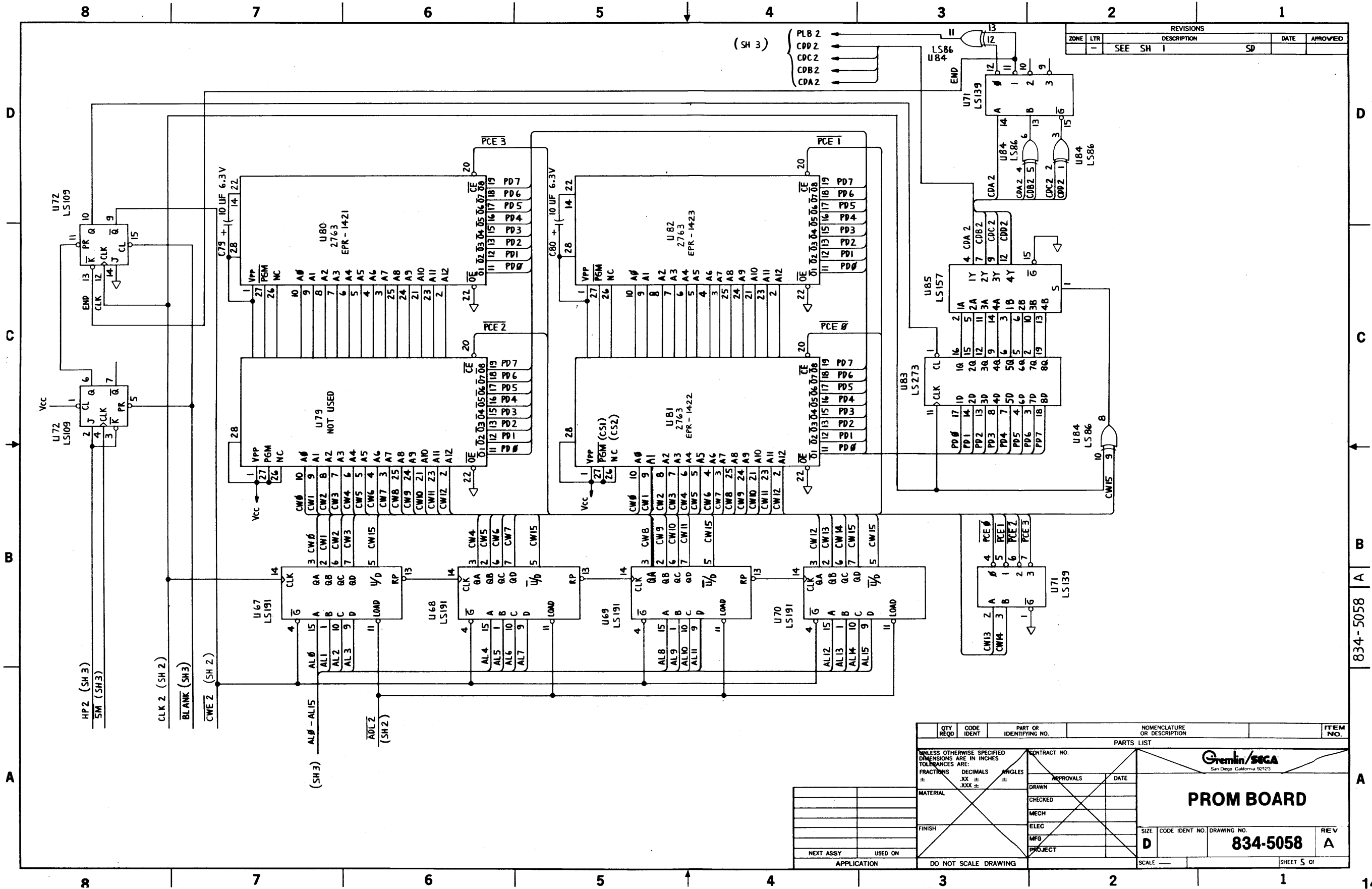
**Gremlin/SECA**  
 San Diego, California 92123

**PROM BOARD**

SIZE: **D** CODE IDENT NO.: **834-5058** DRAWING NO.: **834-5058** REV: **A**

SCALE: \_\_\_\_\_ SHEET 4 of \_\_\_\_\_

834-5058 A B C D

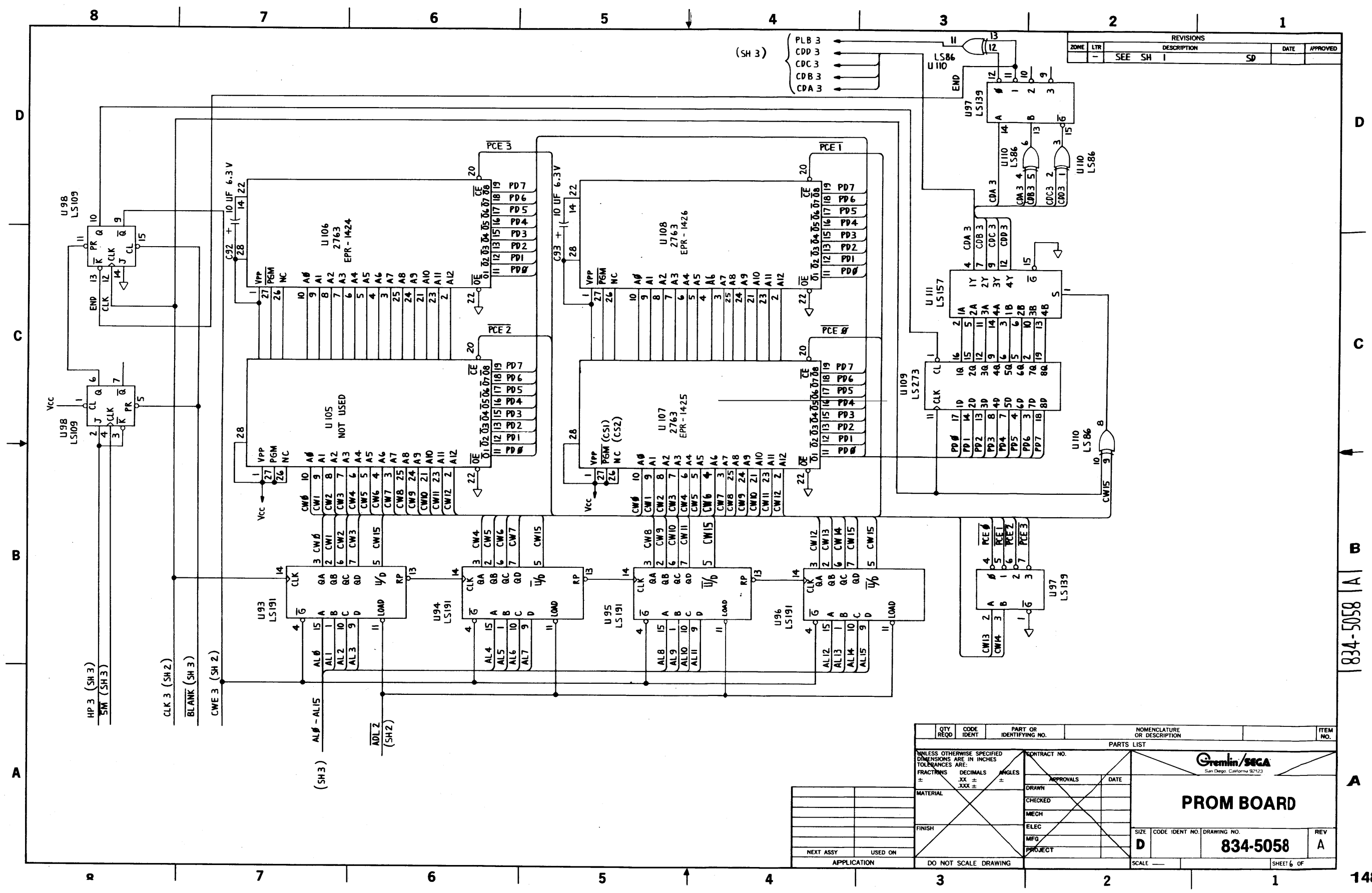


REVISIONS				
ZONE	LTR	DESCRIPTION	DATE	APPROVED
-	-	SEE SH 1	SD	

A

147





REVISIONS				
ZONE	LTR	DESCRIPTION	DATE	APPROVED
1	SEE SH 1			SD

QTY	CODE	PART OR IDENTIFYING NO.	NOMENCLATURE OR DESCRIPTION	ITEM NO.
PARTS LIST				
UNLESS OTHERWISE SPECIFIED DIMENSIONS ARE IN INCHES. TOLERANCES ARE:				
FRACTIONS	DECIMALS	ANGLES		
±	±	±		
MATERIAL			CONTRACT NO.	
FINISH			APPROVALS	DATE
NEXT ASSY			CHECKED	
USED ON			MECH	
APPLICATION			ELEC	
DO NOT SCALE DRAWING			MFG	
			PROJECT	

Gremlin/SEGA  
San Diego, California 92123

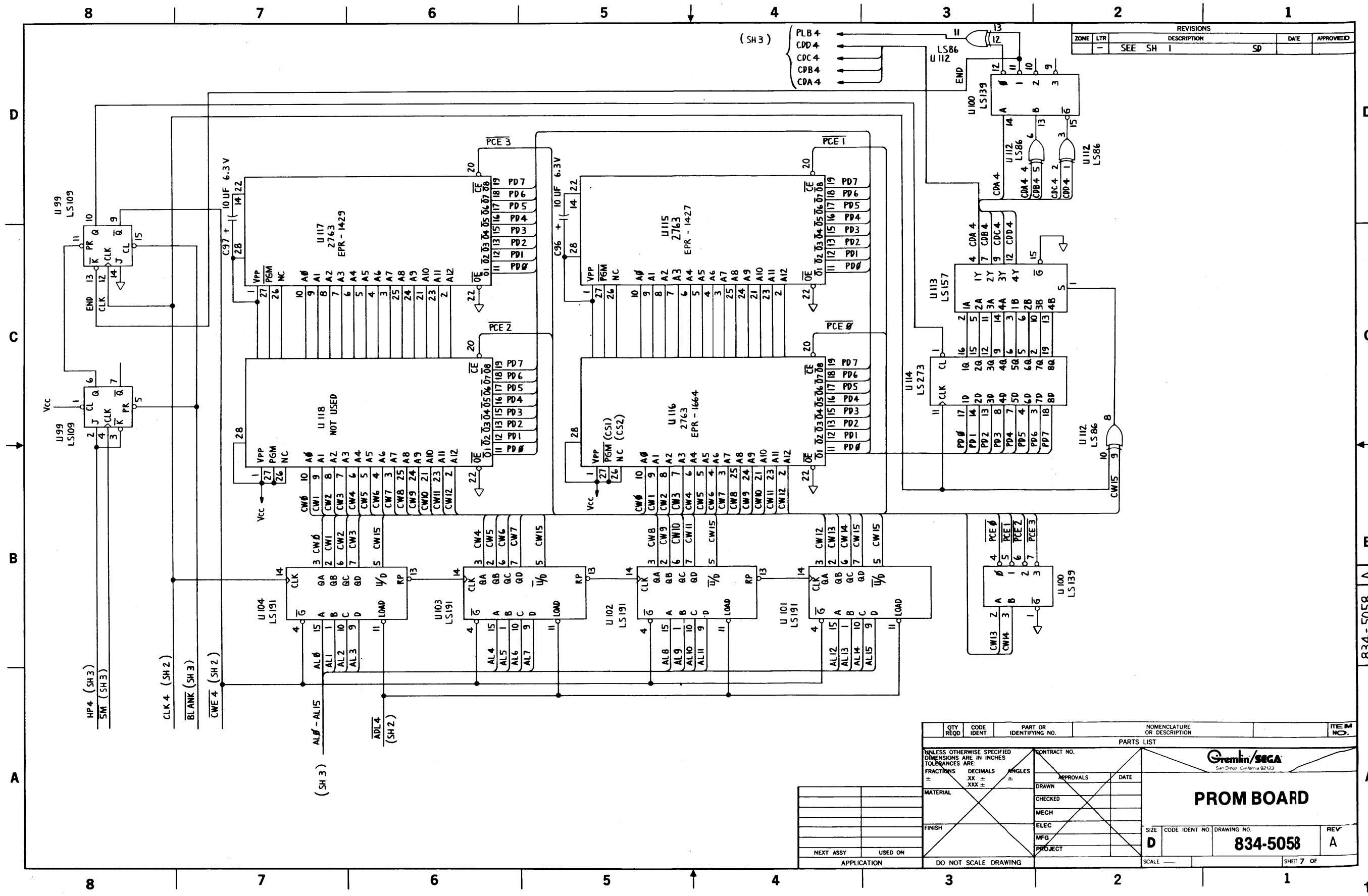
**PROM BOARD**

SIZE CODE IDENT NO. DRAWING NO. REV  
**D 834-5058 A**

SCALE SHEET 6 OF

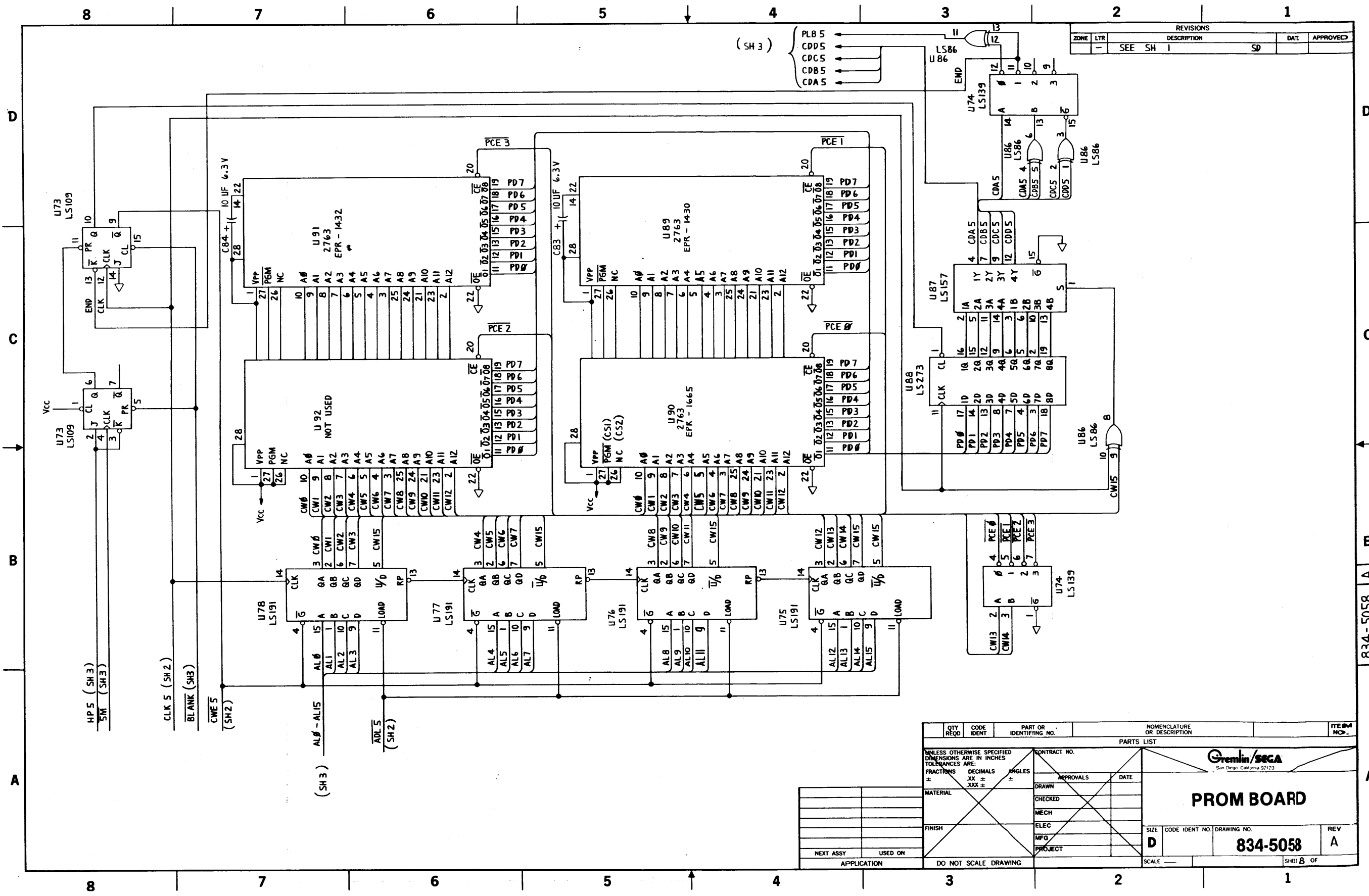
834-5058 | A | B





QTY REQD	CODE IDENT	PART OR IDENTIFYING NO.	NOMENCLATURE OR DESCRIPTION	ITEM NO.
PARTS LIST				
<b>PROM BOARD</b>				
DRAWN		APPROVALS		DATE
CHECKED				
MECH				
ELEC				
MFG				
PROJECT				
NEXT ASSY		USED ON		APPLICATION
DO NOT SCALE DRAWING				
SCALE		SIZE CODE IDENT NO. DRAWING NO.		REV
		834-5058		A
SHEET 7 OF				

834-5058 A B



REVISIONS			
ZONE	LTR	DESCRIPTION	DATE
-	SEE SH 1		SD

QTY REQD	CODE IDENT	PART OR IDENTIFYING NO.	NOMENCLATURE OR DESCRIPTION	ITEM NO.
PARTS LIST				
UNLESS OTHERWISE SPECIFIED DIMENSIONS ARE IN INCHES TOLERANCES ARE:				
FRACTIONS ± .XX ± .XXX ±		DECIMALS ± .005 ± .010 ± .020 ± .050 ± .100 ±		
ANGLES ± ° ± ' ± "		CONTRACT NO.		
MATERIAL		APPROVALS		DATE
FINISH		DRAWN		
NEXT ASSY		CHECKED		
USED ON		MECH		
APPLICATION		ELEC		
DO NOT SCALE DRAWING		MFG		
		PROJECT		

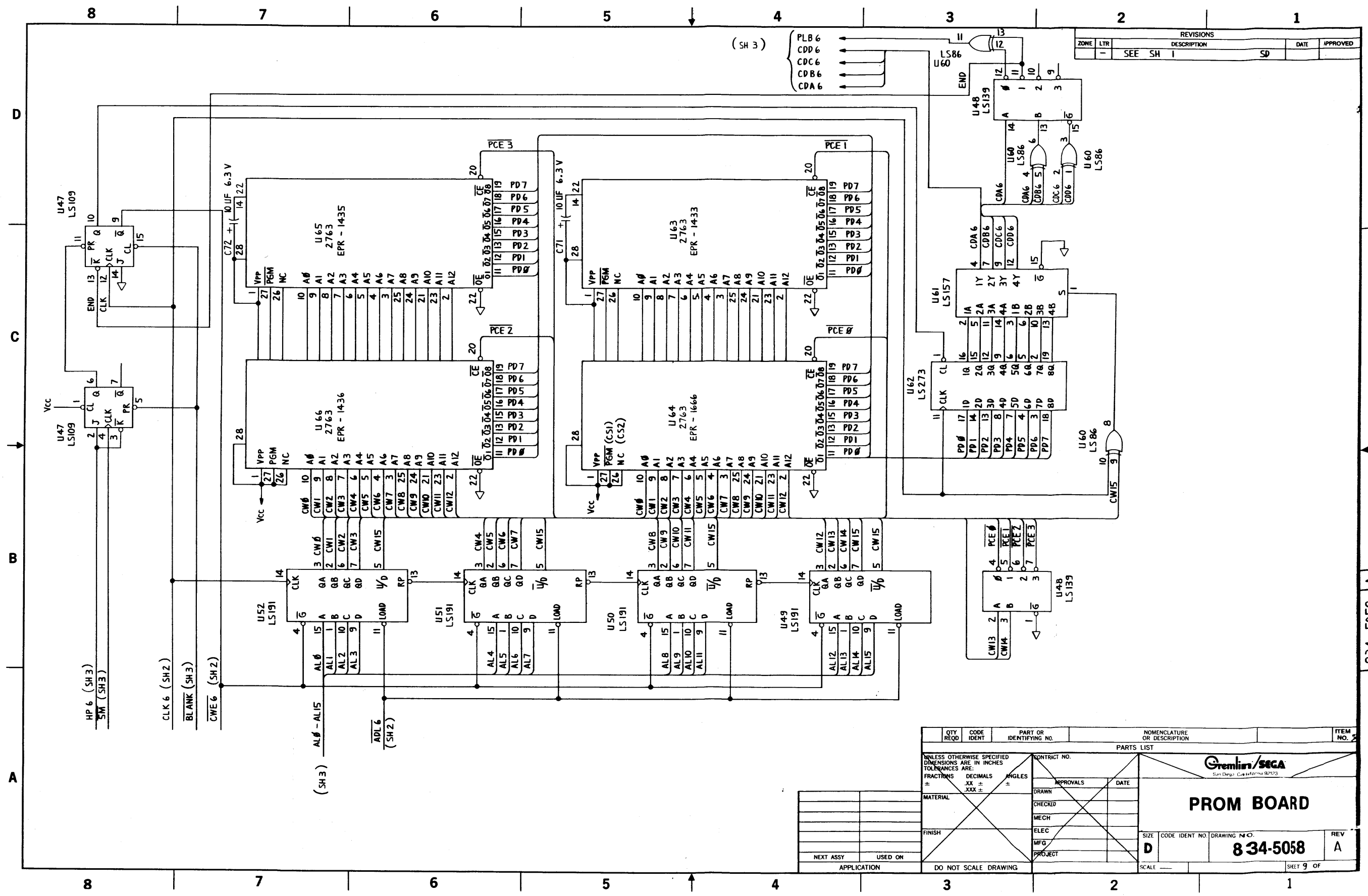
**Gremlin/SEGA**  
San Diego, California 92123

**PROM BOARD**

SIZE: **D** CODE IDENT NO.: **834-5058** DRAWING NO.: **834-5058** REV: **A**

SCALE: \_\_\_\_\_ SHEET **B** OF \_\_\_\_\_

834-5058 | A | B



REVISIONS				
ZONE	LTR	DESCRIPTION	DATE	APPROVED
-	SEE SH 1		SD	

QTY REQD	CODE IDENT	PART OR IDENTIFYING NO.	NOMENCLATURE OR DESCRIPTION	ITEM NO.
PARTS LIST				
UNLESS OTHERWISE SPECIFIED DIMENSIONS ARE IN INCHES TOLERANCES ARE:				
FRACTIONS	DECIMALS	ANGLES		
±	±	±		
MATERIAL			APPROVALS	DATE
FINISH			DRAWN	
NEXT ASSY			CHECKED	
USED ON			MECH	
APPLICATION			ELEC	
DO NOT SCALE DRAWING			MFG	
			PROJECT	

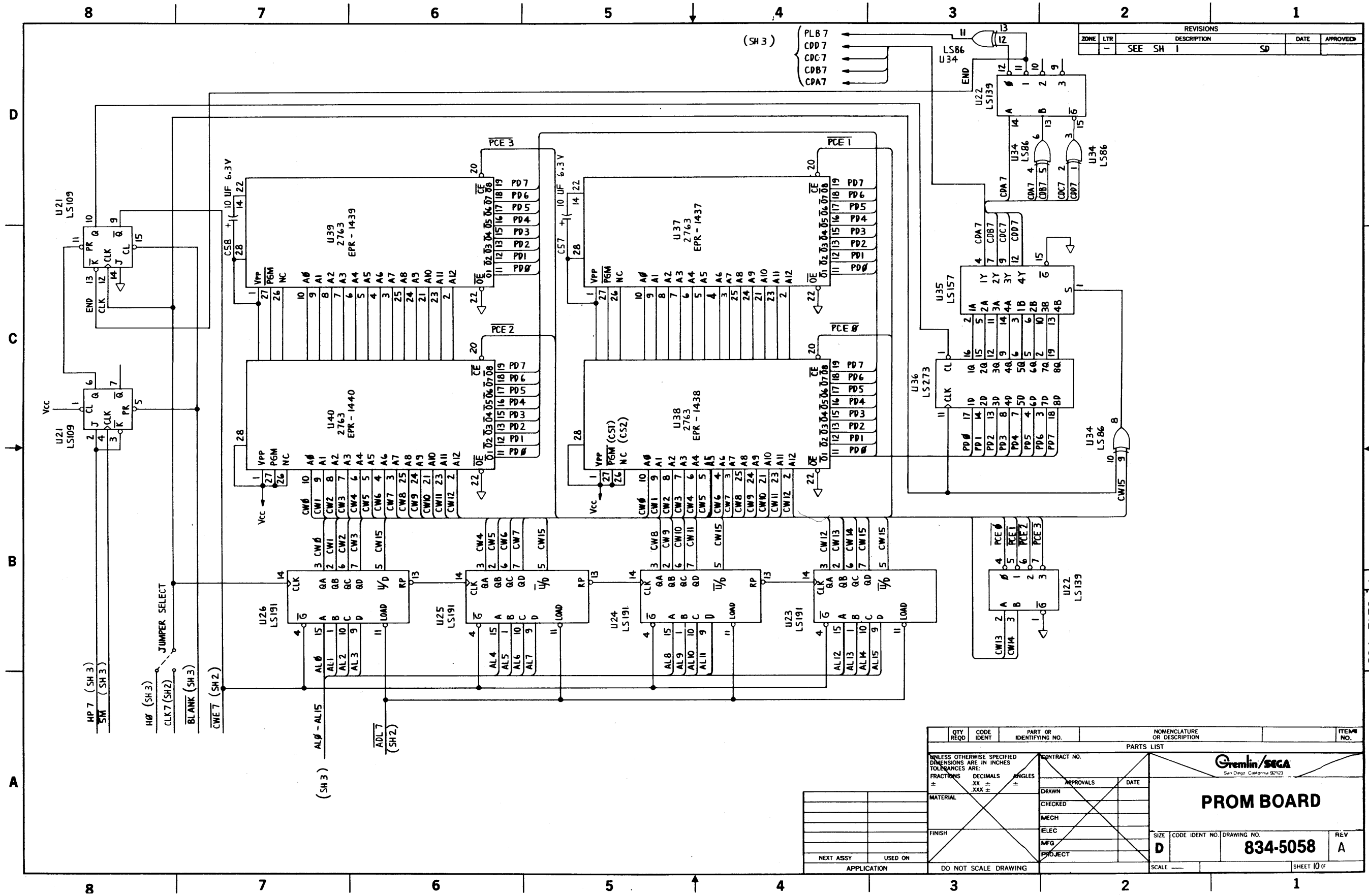
**Gremier/SEGA**  
San Diego, California 92103

## PROM BOARD

SIZE: **D** CODE IDENT NO: **834-5058** DRAWING NO: **834-5058** REV: **A**

SCALE: \_\_\_\_\_ SHEET 9 OF \_\_\_\_\_

834-5058 | A | B



REVISIONS				
ZONE	LTR	DESCRIPTION	DATE	APPROVED
-	SEE SH 1		SD	

QTY REQD	CODE IDENT	PART OR IDENTIFYING NO.	NOMENCLATURE OR DESCRIPTION	ITEM NO.
PARTS LIST				
UNLESS OTHERWISE SPECIFIED DIMENSIONS ARE IN INCHES TOLERANCES ARE:				
FRACTIONS	DECIMALS	ANGLES		
±	.XX ±	±		
±	.XXX ±	±		
MATERIAL			CONTRACT NO.	
FINISH			APPROVALS	
NEXT ASSY			DATE	
USED ON			DRAWN	
APPLICATION			CHECKED	
			MECH	
			ELEC	
			MFG	
			PROJECT	
			SCALE	
			DO NOT SCALE DRAWING	

Gremlin/SEGA  
San Diego, California 92123

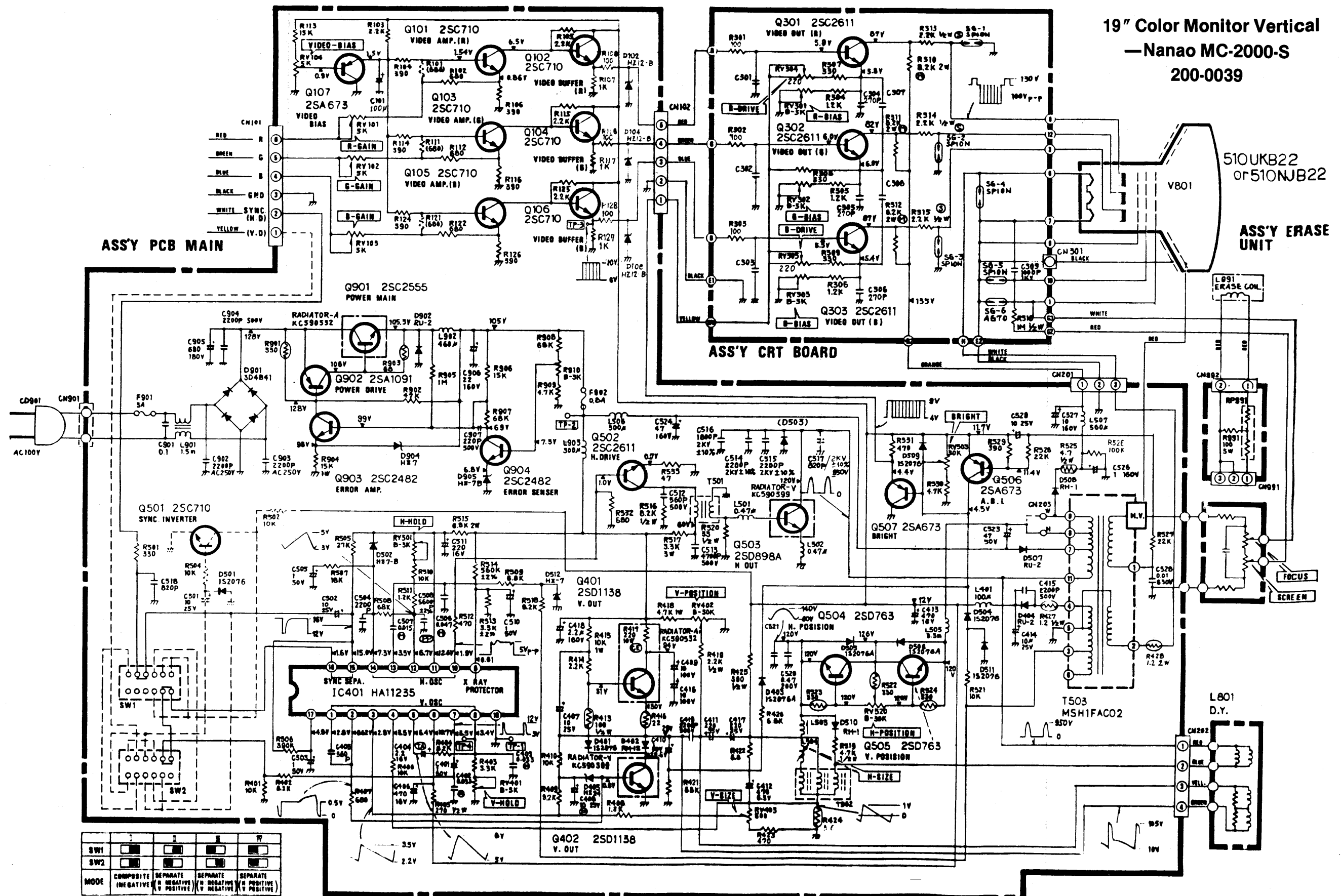
**PROM BOARD**

SIZE CODE IDENT NO. DRAWING NO. REV  
**D 834-5058 A**

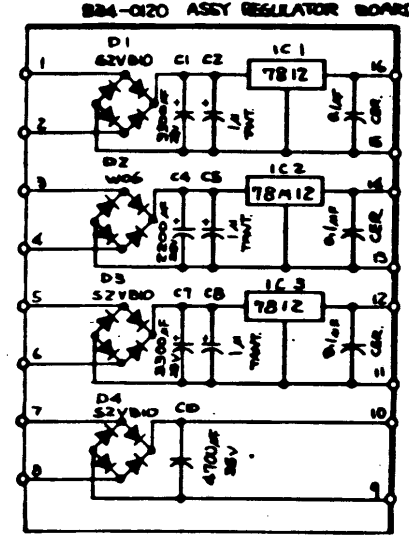
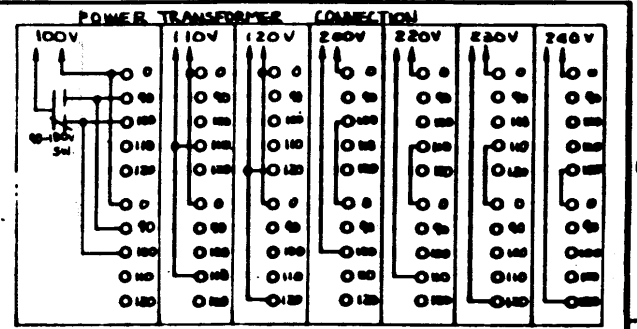
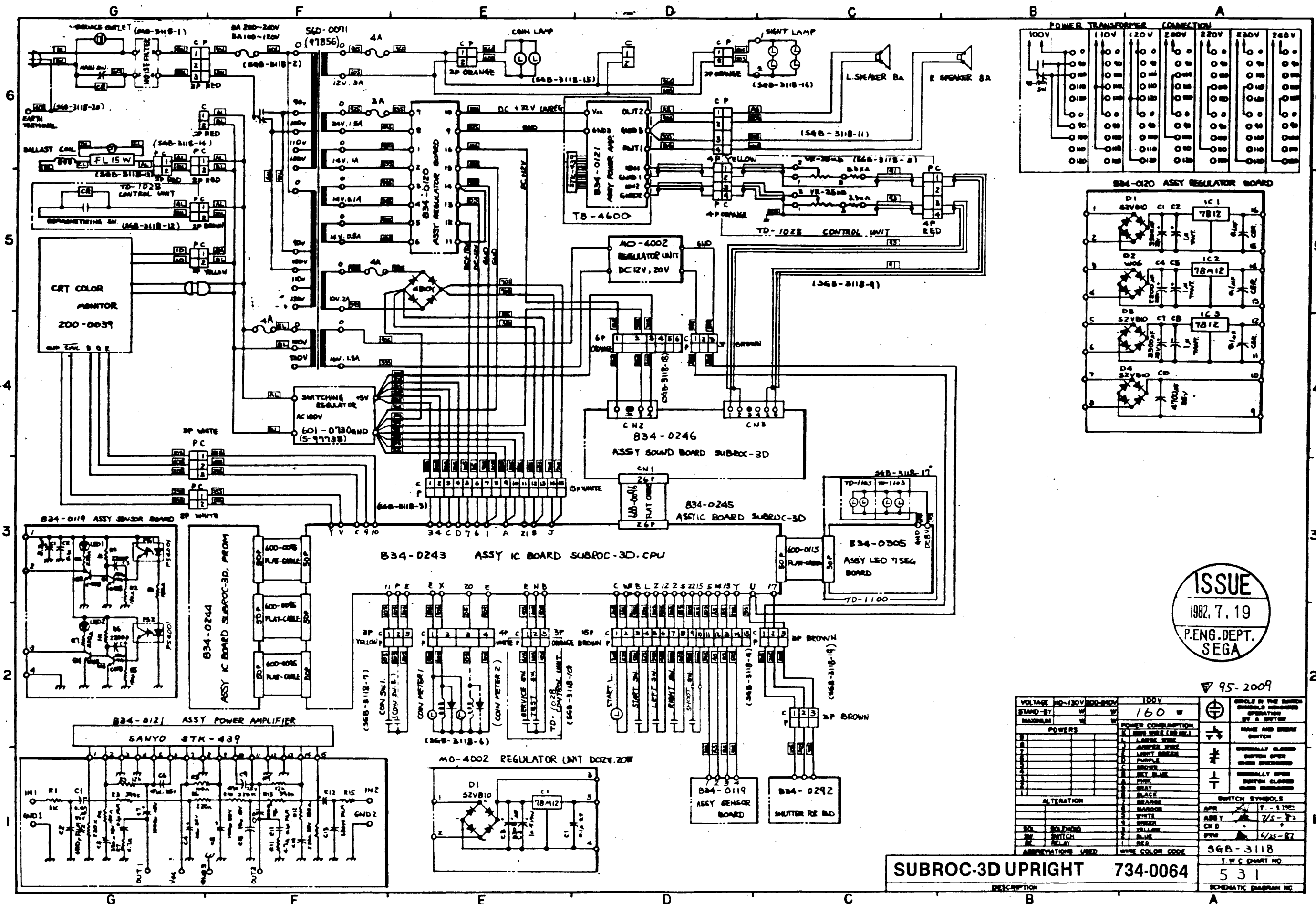
834-5058 | A | B | C | D



19" Color Monitor Vertical  
 — Nanao MC-200-S  
 200-0039



SW1	<input type="checkbox"/>	<input type="checkbox"/>	<input type="checkbox"/>	<input type="checkbox"/>
SW2	<input type="checkbox"/>	<input type="checkbox"/>	<input type="checkbox"/>	<input type="checkbox"/>
MODE	COMPOSITE NEGATIVE	SEPARATE NEGATIVE POSITIVE	SEPARATE NEGATIVE POSITIVE	SEPARATE NEGATIVE POSITIVE



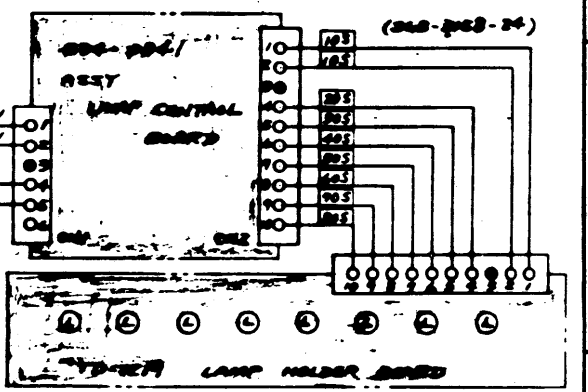
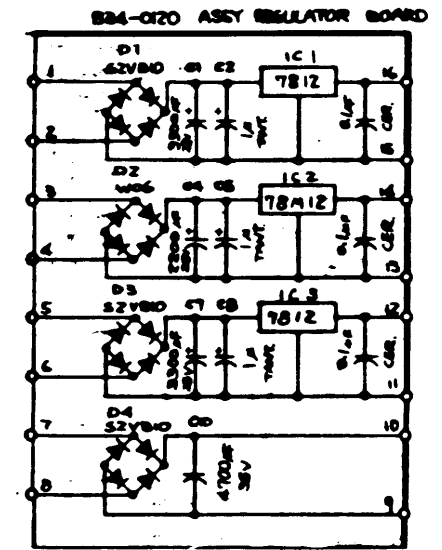
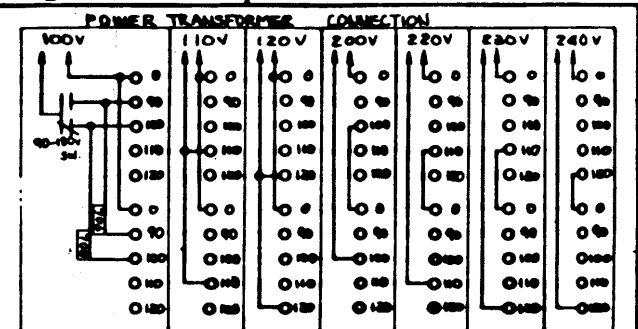
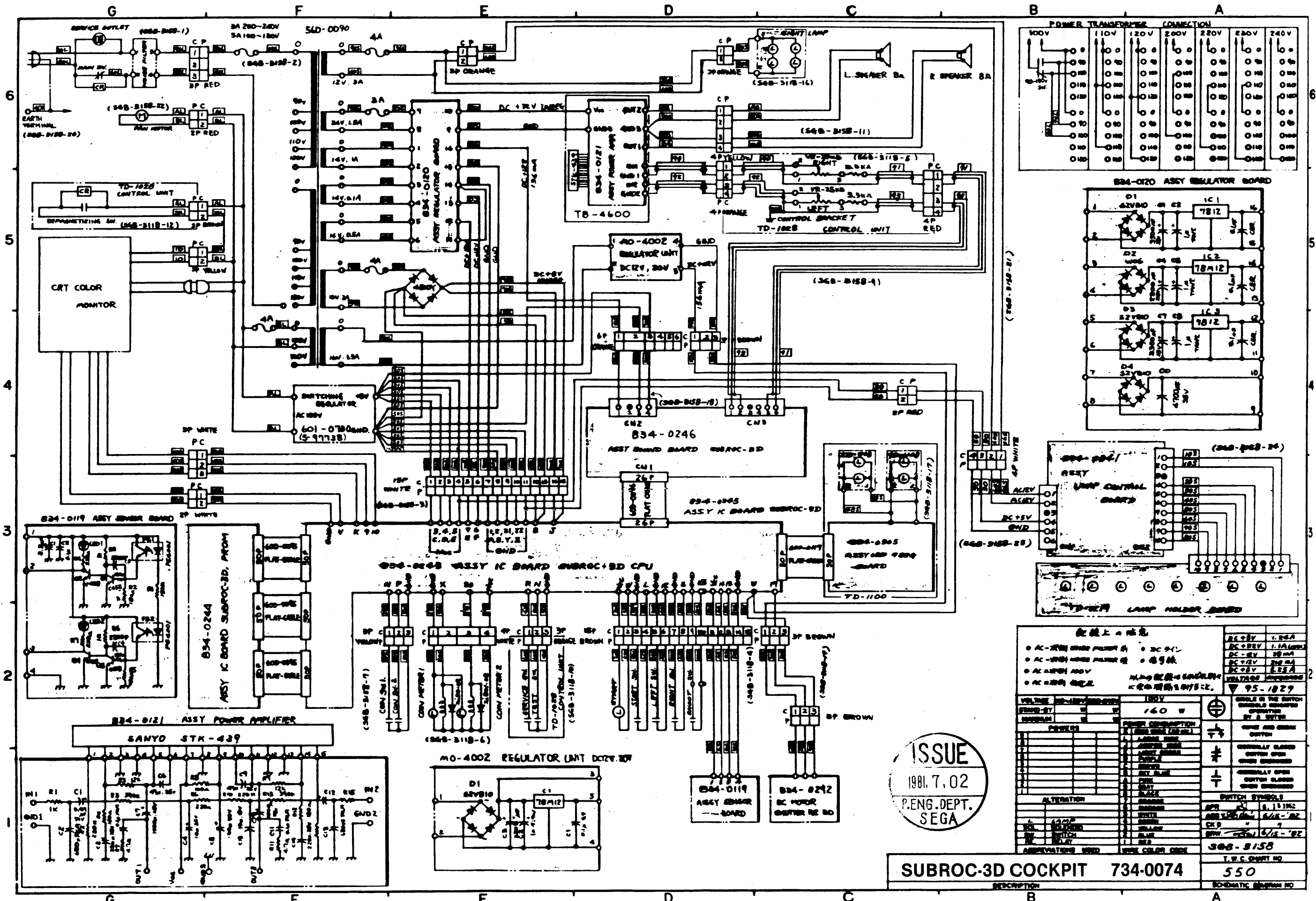
**ISSUE**  
 1982. 7. 19  
 P.ENG.DEPT.  
 SEGA

▽ 95-2009

VOLTAGE	100-110V/200-240V	100V		SINGLE IN THE BOARD SHOULD BE USED FOR OPERATION BY A MOTOR			
STAND-BY	W	160 W					
MAXIMUM	W						
POWER		POWER CONSUMPTION K. 100 W (100 W)		NAME AND MODEL SWITCH			
					1	LAMP	GENERALLY CLOSED
					2	LAMP	SWITCH OPEN
					3	PLATE	SWITCH OPEN
					4	GRID	SWITCH OPEN
					5	KEY	SWITCH OPEN
					6	GRID	SWITCH OPEN
ALTERATION		SWITCH SYMBOLS APT 7. - 512C ASST 7/5-82 CK D SW RELAY 6/AS-87		SWITCH SYMBOLS 7. - 512C ASST 7/5-82 CK D SW RELAY 6/AS-87			
					1	BLACK	
					2	GRASS	
					3	SHADE	
4	WHITE	ASST 7/5-82					
5	GREEN	CK D					
6	YELLOW	SW					
7	BLUE	RELAY					
8	RED	6/AS-87					
ABBREVIATIONS USED			WIRE COLOR CODE	5GB-3118			
			T.W.C. PART NO	531			
			DESCRIPTION	SCHEMATIC DIAGRAM NO			

**SUBROC-3D UPRIGHT 734-0064**





AC-100V 100W		DC 5V		DC 12V		DC 24V	
AC-100V 100W	100W	DC 5V	1.0A	DC 12V	1.0A	DC 24V	0.5A
AC-100V 100W	100W	DC 5V	1.0A	DC 12V	1.0A	DC 24V	0.5A
AC-100V 100W	100W	DC 5V	1.0A	DC 12V	1.0A	DC 24V	0.5A
AC-100V 100W	100W	DC 5V	1.0A	DC 12V	1.0A	DC 24V	0.5A
AC-100V 100W	100W	DC 5V	1.0A	DC 12V	1.0A	DC 24V	0.5A

VOLTAGES	100V	110V	120V	200V	220V	240V
POWER	100W	100W	100W	100W	100W	100W
POWER	100W	100W	100W	100W	100W	100W
POWER	100W	100W	100W	100W	100W	100W
POWER	100W	100W	100W	100W	100W	100W
POWER	100W	100W	100W	100W	100W	100W

ALTERATION	DESCRIPTION	DATE	BY
1	REVISION		
2	REVISION		
3	REVISION		
4	REVISION		
5	REVISION		
6	REVISION		
7	REVISION		
8	REVISION		
9	REVISION		
10	REVISION		

ISSUE  
1981.7.02  
P.ENG.DEPT.  
SEGA

SUBROC-3D COCKPIT 734-0074