

DATA SHEET

TDA6108JF

Triple video output amplifier

Product specification
Supersedes data of 1998 Jun 22
File under Integrated Circuits, IC02

1999 Oct 29

Triple video output amplifier

TDA6108JF

FEATURES

- Typical bandwidth of 9.0 MHz for an output signal of 60 V (p-p)
- High slew rate of 1850 V/ μ s
- No external components required
- Very simple application
- Single supply voltage of 200 V
- Internal reference voltage of 2.5 V
- Fixed gain of 51

- Black-Current Stabilization (BCS) circuit
- Thermal protection.

GENERAL DESCRIPTION

The TDA6108JF includes three video output amplifiers in one plastic DIL-bent-SIL 9-pin medium power (DBS9MPF) package (SOT111-1), using high-voltage DMOS technology, and is intended to drive the three cathodes of a colour CRT directly. To obtain maximum performance, the amplifier should be used with black-current control.

ORDERING INFORMATION

TYPE NUMBER	PACKAGE		
	NAME	DESCRIPTION	VERSION
TDA6108JF	DBS9MPF	plastic DIL-bent-SIL medium power package with fin; 9 leads	SOT111-1

BLOCK DIAGRAM

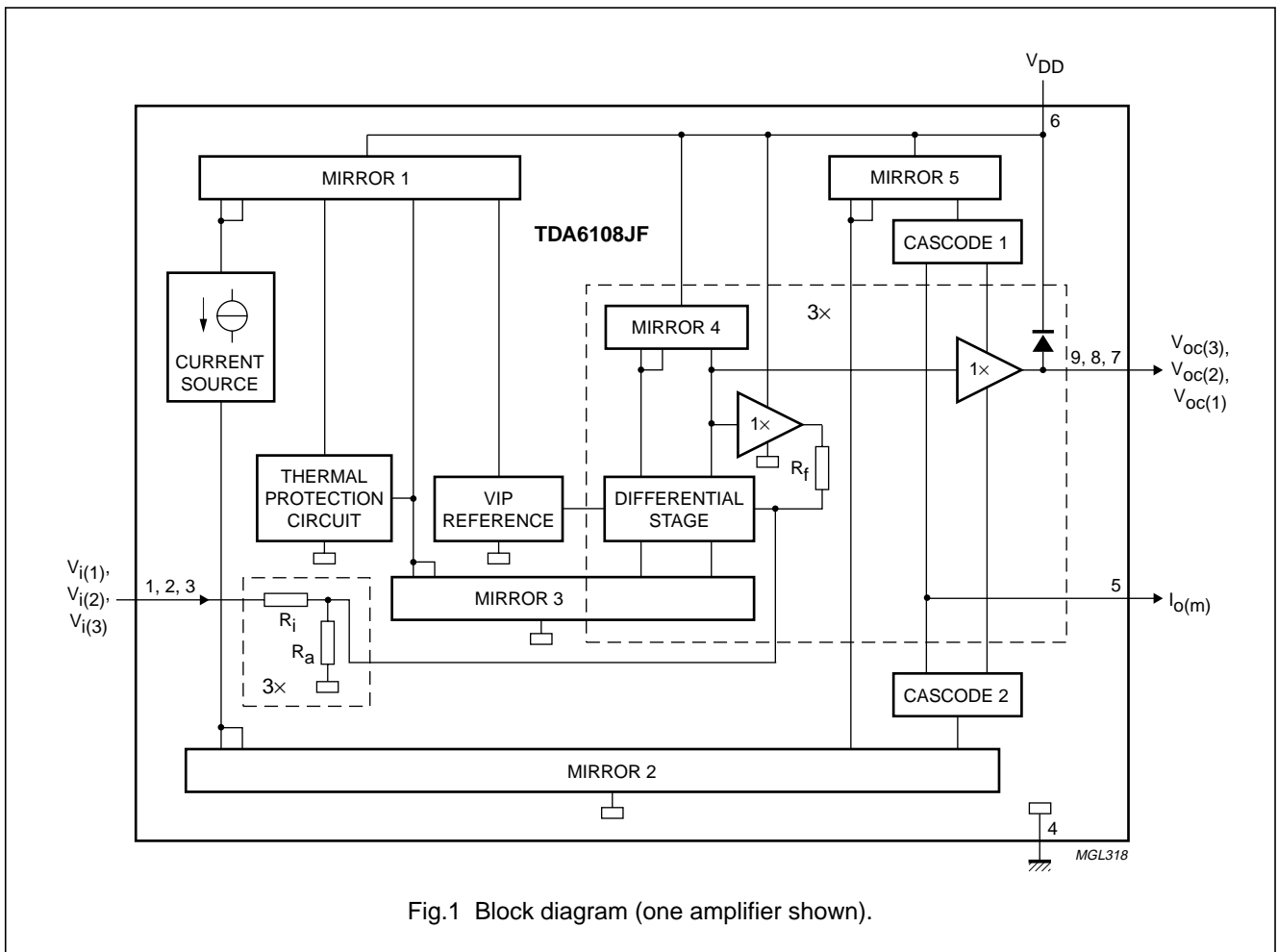


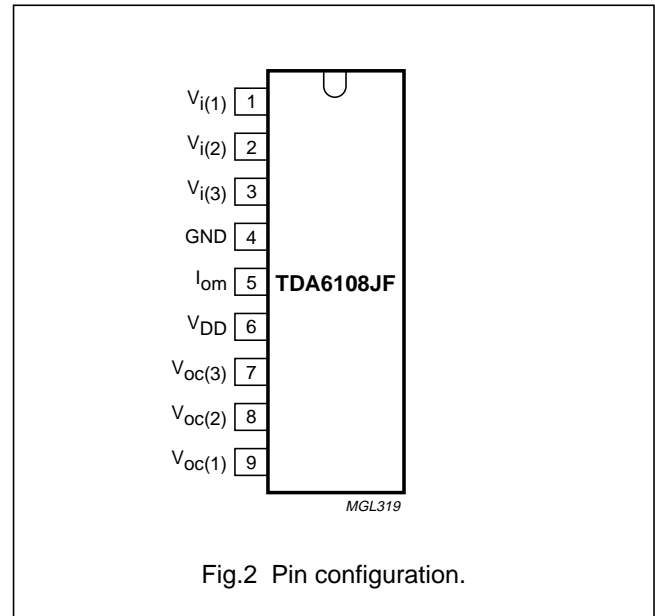
Fig.1 Block diagram (one amplifier shown).

Triple video output amplifier

TDA6108JF

PINNING

SYMBOL	PIN	DESCRIPTION
$V_{i(1)}$	1	inverting input 1
$V_{i(2)}$	2	inverting input 2
$V_{i(3)}$	3	inverting input 3
GND	4	ground (fin)
I_{om}	5	black current measurement output
V_{DD}	6	supply voltage
$V_{oc(3)}$	7	cathode output 3
$V_{oc(2)}$	8	cathode output 2
$V_{oc(1)}$	9	cathode output 1



LIMITING VALUES

In accordance with the Absolute Maximum Rating System (IEC 134); voltages measured with respect to pin 4 (ground); currents as specified in Fig.1; unless otherwise specified.

SYMBOL	PARAMETER	MIN.	MAX.	UNIT
V_{DD}	supply voltage	0	250	V
V_i	input voltage	0	12	V
V_{om}	measurement output voltage	0	6	V
V_{oc}	cathode output voltage	0	V_{DD}	V
T_{stg}	storage temperature	-55	+150	°C
T_j	junction temperature	-20	+150	°C
V_{es}	electrostatic handling			
	human body model (HBM)	-	2000	V
	machine model (MM)	-	300	V

HANDLING

Inputs and outputs are protected against electrostatic discharge in normal handling. However, to be totally safe, it is desirable to take normal precautions appropriate to handling MOS devices (see "Handling MOS Devices").

QUALITY SPECIFICATION

Quality specification "SNW-FQ-611 part D" is applicable.

Triple video output amplifier

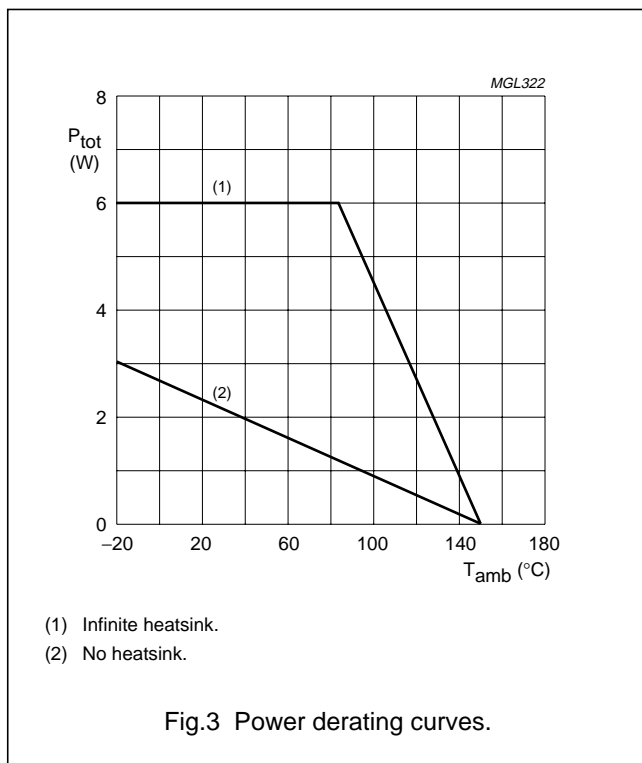
TDA6108JF

THERMAL CHARACTERISTICS

SYMBOL	PARAMETER	CONDITIONS	VALUE	UNIT
$R_{th(j-a)}$	thermal resistance from junction to ambient		56	K/W
$R_{th(j-fin)}$	thermal resistance from junction to fin	note 1	11	K/W
$R_{th(h-a)}$	thermal resistance from heatsink to ambient		10	K/W

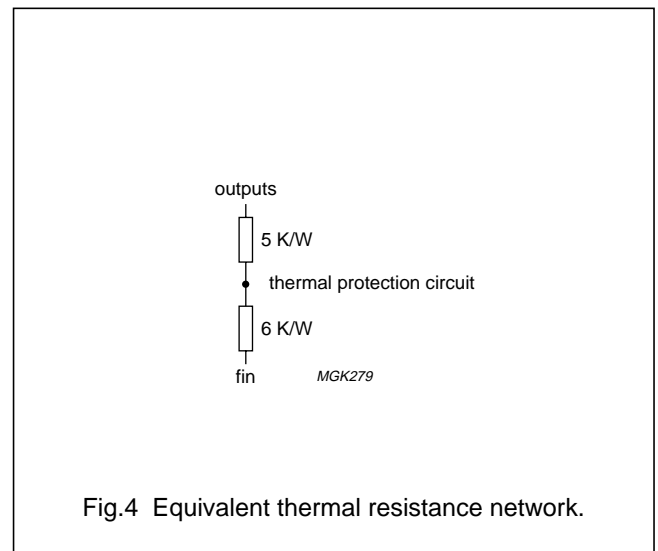
Note

1. An external heatsink is necessary.



Thermal protection

The internal thermal protection circuit gives a decrease of the slew rate at high temperatures: 10% decrease at 130 °C and 30% decrease at 145 °C (typical values on the spot of the thermal protection circuit).



Triple video output amplifier

TDA6108JF

CHARACTERISTICS

Operating range: $T_j = -20$ to $+150$ °C; $V_{DD} = 180$ to 210 V. Test conditions: $T_{amb} = 25$ °C; $V_{DD} = 200$ V;

$V_{o(c1)} = V_{o(c2)} = V_{o(c3)} = \frac{1}{2}V_{DD}$; $C_L = 10$ pF (C_L consists of parasitic and cathode capacitance); $R_{th(h-a)} = 18$ K/W (measured in test circuit of Fig.8); unless otherwise specified.

SYMBOL	PARAMETER	CONDITIONS	MIN.	TYP.	MAX.	UNIT
I_q	quiescent supply current		8.8	10.3	11.7	mA
$V_{ref(int)}$	internal reference voltage (input stage)		–	2.5	–	V
R_i	input resistance		–	3.2	–	k Ω
G	gain of amplifier		47.5	51.0	55.0	
ΔG	gain difference		–2.5	0	+2.5	
$V_{O(c)}$	nominal output voltage at pins 7, 8 and 9 (DC value)	$I_i = 0$ μ A	116	129	142	V
$\Delta V_{O(c)(offset)}$	differential nominal output offset voltage between pins 7 and 8, 8 and 9 and 9 and 7 (DC value)	$I_i = 0$ μ A	–	0	5	V
$\Delta V_{O(c)(T)}$	output voltage temperature drift at pins 7, 8 and 9		–	–10	–	mV/K
$\Delta V_{O(c)(T)(offset)}$	differential output offset voltage temperature drift between pins 7 and 8, 8 and 9 and 7 and 9		–	0	–	mV/K
$I_{o(m)(offset)}$	offset current of measurement output (for 3 channels)	$I_{o(c)} = 0$ μ A; 1.5 V < V_i < 5.5 V; 3 V < $V_{o(m)}$ < 6 V	–50	–	+50	μ A
$\Delta I_{o(m)}/\Delta I_{o(c)}$	linearity of current transfer	-100 μ A < $I_{o(c)}$ < 100 μ A; 1.5 V < V_i < 5.5 V; 3 V < $V_{o(m)}$ < 6 V	0.9	1.0	1.1	
$I_{o(c)(max)}$	maximum peak output current (pins 7, 8 and 9)	50 V < $V_{o(c)}$ < $V_{DD} - 50$ V	–	28	–	mA
$V_{o(c)(min)}$	minimum output voltage (pins 7, 8 and 9)	$V_i = 7.0$ V; note 1	–	–	10	V
$V_{o(c)(max)}$	maximum output voltage (pins 7, 8 and 9)	$V_i = 1.0$ V; note 1	$V_{DD} - 15$	–	–	V
B_S	small signal bandwidth (pins 7, 8 and 9)	$V_{o(c)} = 60$ V (p-p)	–	9.0	–	MHz
B_L	large signal bandwidth (pins 7, 8 and 9)	$V_{o(c)} = 100$ V (p-p)	–	8.0	–	MHz
t_{PCO}	cathode output propagation time 50% input to 50% output (pins 7, 8 and 9)	$V_{o(c)} = 100$ V (p-p) square wave; $f < 1$ MHz; $t_r = t_f = 40$ ns (pins 1, 2 and 3); see Figs 6 and 7	–	32	–	ns

Triple video output amplifier

TDA6108JF

SYMBOL	PARAMETER	CONDITIONS	MIN.	TYP.	MAX.	UNIT
Δt_{PCO}	difference in cathode output propagation time 50% input to 50% output (pins 7 and 8, 7 and 9 and 8 and 9)	$V_{o(c)} = 100$ V (p-p) square wave; $f < 1$ MHz; $t_r = t_f = 40$ ns (pins 1, 2 and 3)	-10	0	+10	ns
$t_{o(r)}$	cathode output rise time 10% output to 90% output (pins 7, 8 and 9)	$V_{o(c)} = 50$ to 150 V square wave; $f < 1$ MHz; $t_f = 40$ ns (pins 1, 2 and 3); see Fig.6	35	50	65	ns
$t_{o(f)}$	cathode output fall time 90% output to 10% output (pins 7, 8 and 9)	$V_{o(c)} = 150$ to 50 V square wave; $f < 1$ MHz; $t_r = 40$ ns (pins 1, 2 and 3); see Fig.7	35	50	65	ns
t_{st}	settling time 50% input to 99% < output < 101% (pins 7, 8 and 9)	$V_{o(c)} = 100$ V (p-p) square wave; $f < 1$ MHz; $t_r = t_f = 40$ ns (pins 1, 2 and 3); see Figs 6 and 7	-	-	350	ns
SR	slew rate between 50 V to ($V_{DD} - 50$ V) (pins 7, 8 and 9)	$V_i = 4$ V (p-p) square wave; $f < 1$ MHz; $t_r = t_f = 40$ ns (pins 1, 2 and 3)	-	1850	-	V/ μ s
O_v	cathode output voltage overshoot (pins 7, 8 and 9)	$V_{o(c)} = 100$ V (p-p) square wave; $f < 1$ MHz; $t_r = t_f = 40$ ns (pins 1, 2 and 3); see Figs 6 and 7	-	10	-	%
PSRR	power supply rejection ratio	$f < 50$ kHz; note 2	-	65	-	dB
$\alpha_{ct(DC)}$	DC crosstalk between channels		-	50	-	dB

Notes

1. See also Fig.5 for the typical DC-to-DC transfer of V_i to $V_{o(c)}$.
2. The ratio of the change in supply voltage to the change in input voltage when there is no change in output voltage.

Triple video output amplifier

TDA6108JF

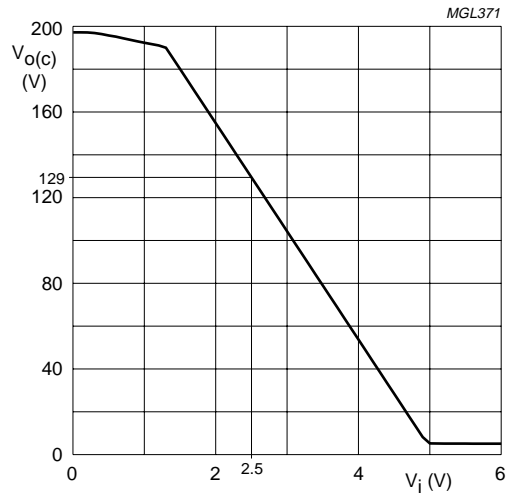


Fig.5 Typical DC-to-DC transfer of V_i to $V_{o(c)}$.

Triple video output amplifier

TDA6108JF

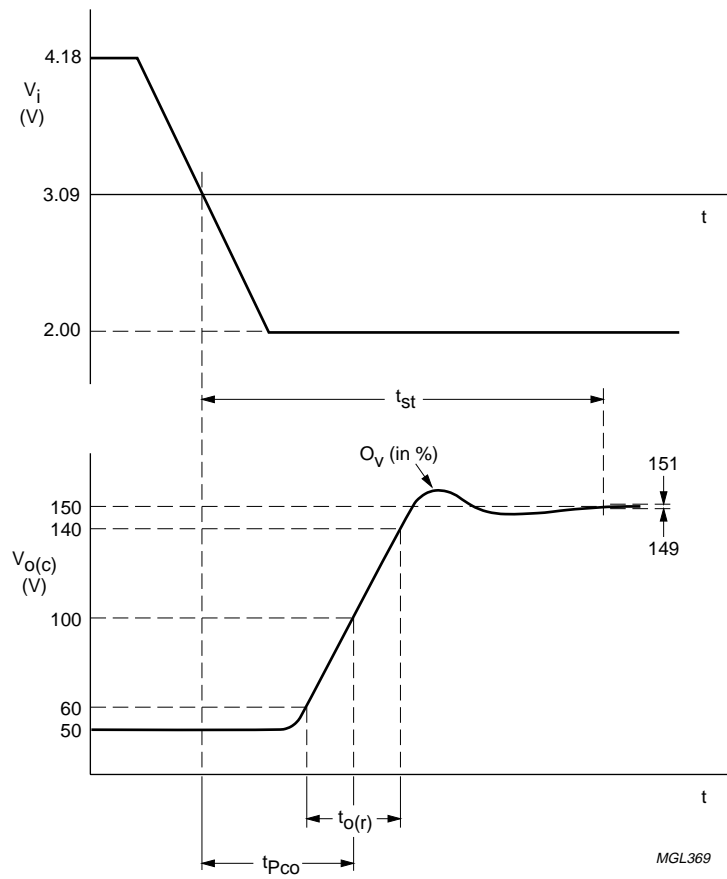


Fig.6 Output voltage (pins 7, 8 and 9) rising edge as a function of the AC input signal.

Triple video output amplifier

TDA6108JF

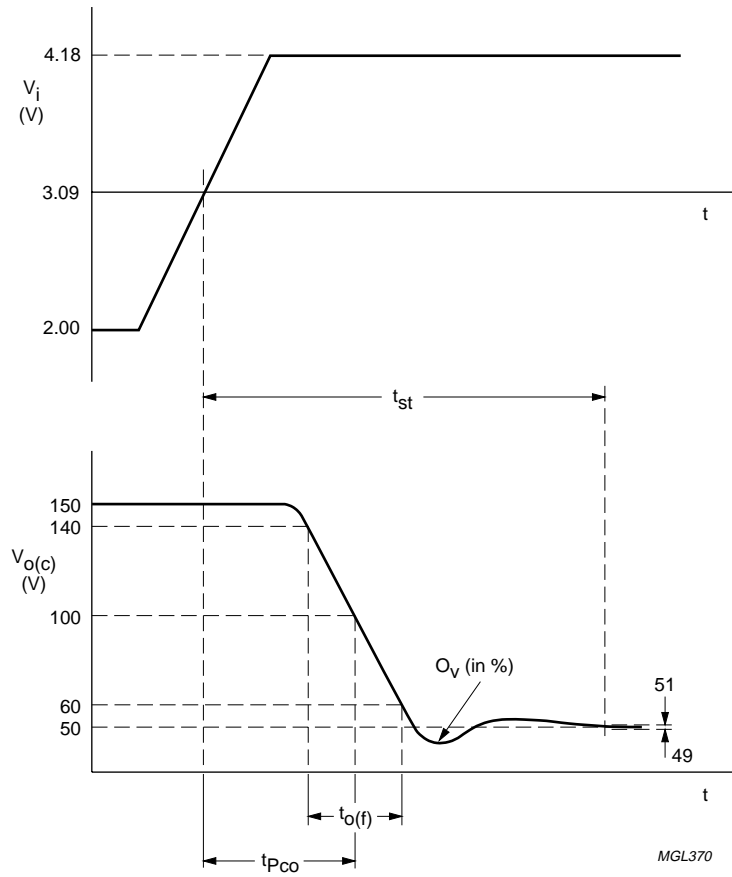


Fig.7 Output voltage (pins 7, 8 and 9) falling edge as a function of the AC input signal.

Triple video output amplifier

TDA6108JF

External flashover protection

For sufficient flashover protection it is necessary to apply an external diode and 100 Ω resistor for each channel. See application note "Application and Product description of TDA6107Q/N1" (report number AN96072).

To limit the diode current an external 1 k Ω carbon high-voltage resistor in series with the external diode and a 2 kV spark gap are needed (for this resistor value, the CRT has to be connected to the main PCB).

V_{DD} must be decoupled to GND:

1. With a capacitor >20 nF with good HF behaviour (e.g. foil); this capacitor must be placed as close as possible to pins 6 and 4, but definitely within 5 mm.
2. With a capacitor >3.3 μ F on the picture tube base print.

Switch-off behaviour

The switch-off behaviour of the TDA6108JF is controllable. This is due to the fact that the output pins of the TDA6108JF are still under control of the input pins for low power supply voltages (approximately 30 V and higher).

Bandwidth

The addition of the flash resistor produces a decreased bandwidth and increases rise and fall times. For further information, see Application note of the TDA6108JF.

Dissipation

Regarding dissipation, distinction must first be made between static dissipation (independent of frequency) and dynamic dissipation (proportional to frequency).

The static dissipation of the TDA6108JF is due to voltage supply currents and load currents in the feedback network and CRT.

The static dissipation P_{stat} equals:

$$P_{stat} = V_{DD} \times I_{DD} + 3 \times V_{O(c)} \times I_{O(c)}$$

Where:

V_{DD} = supply voltage

I_{DD} = supply current

$V_{O(c)}$ = DC value of cathode voltage

$I_{O(c)}$ = DC value of cathode current.

The dynamic dissipation P_{dyn} equals:

$$P_{dyn} = 3 \times V_{DD} \times (C_L + C_{int}) \times f_i \times V_{o(c)(p-p)} \times \delta$$

Where:

C_L = load capacitance

C_{int} = internal load capacitance (\approx 4 pF)

f_i = input frequency

$V_{o(c)(p-p)}$ = output voltage (peak-to-peak value)

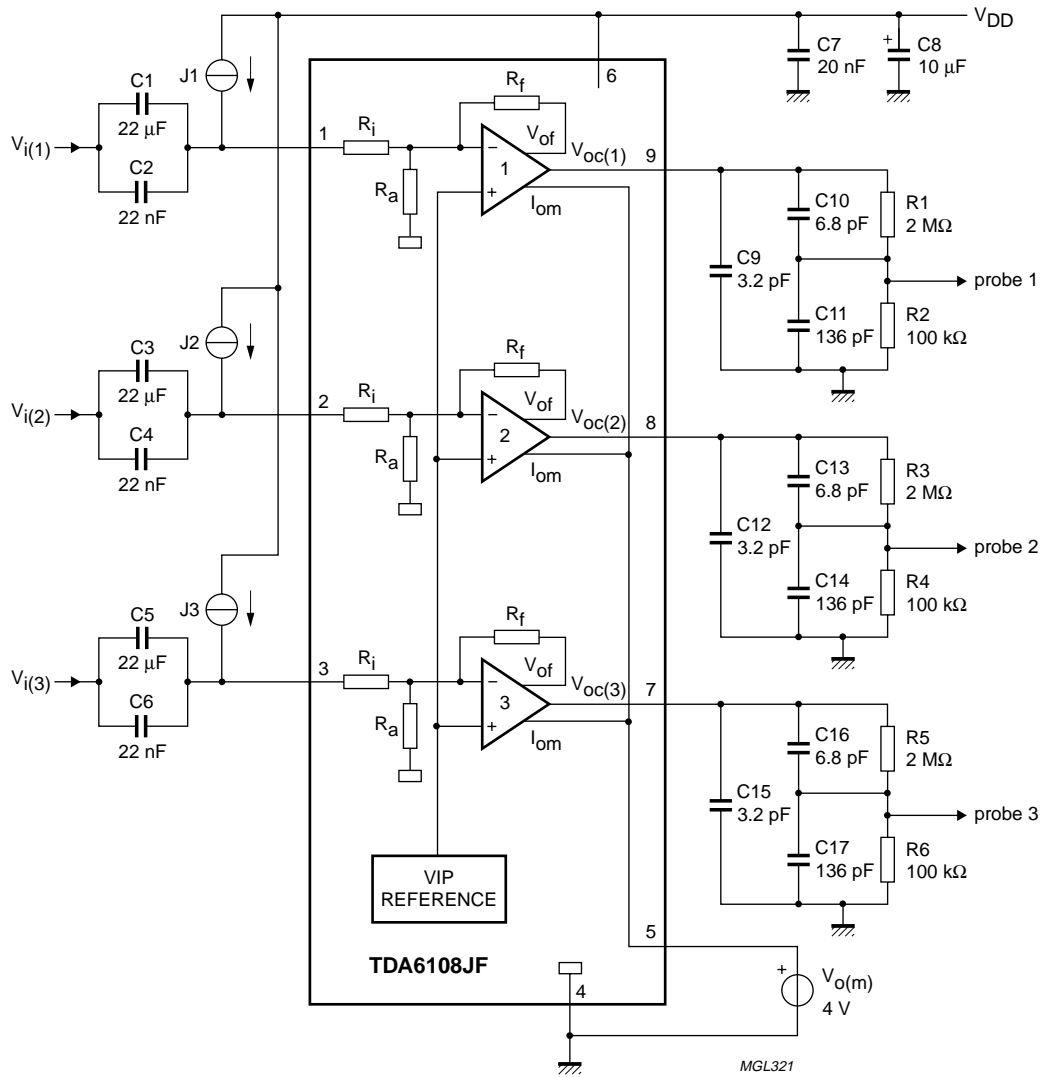
δ = non-blanking duty cycle.

The IC must be mounted on the picture tube base print to minimize the load capacitance C_L .

Triple video output amplifier

TDA6108JF

TEST AND APPLICATION INFORMATION



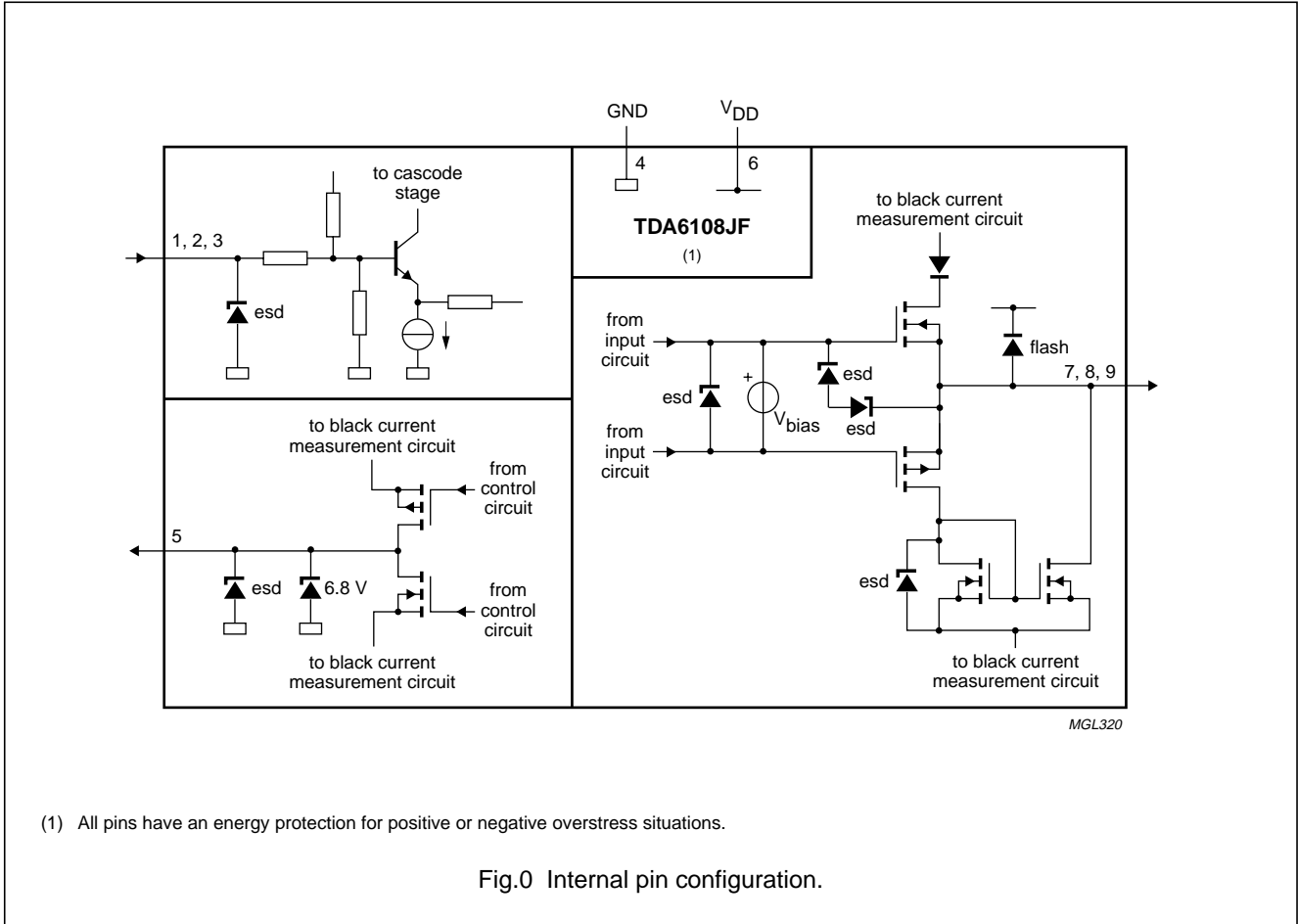
Current sources J1, J2 and J3 are to be tuned so that $V_{o(e)}$ of pins 9, 8 and 7 is set to 100 V.

Fig.8 Test circuit.

Triple video output amplifier

TDA6108JF

INTERNAL CIRCUITRY



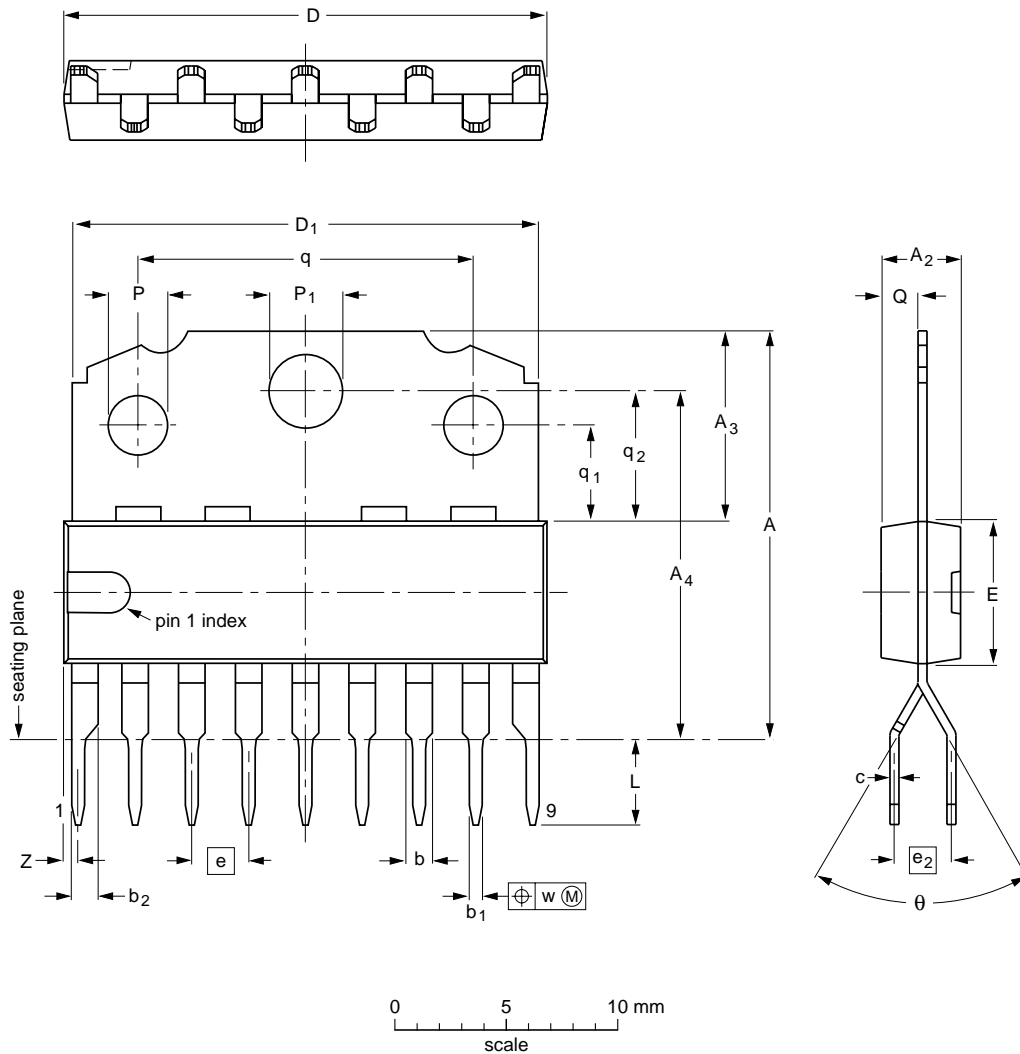
Triple video output amplifier

TDA6108JF

PACKAGE OUTLINE

DBS9MPF: plastic DIL-bent-SIL medium power package with fin; 9 leads

SOT111-1



DIMENSIONS (mm are the original dimensions)

UNIT	A	A ₂ max.	A ₃	A ₄	b	b ₁	b ₂	c	D ⁽¹⁾	D ₁	E ⁽¹⁾	e	e ₂	L	P	P ₁	Q	q	q ₁	q ₂	w	Z ⁽¹⁾ max.	θ
mm	18.5 17.8	3.7	8.7 8.0	15.5 15.1	1.40 1.14	0.67 0.50	1.40 1.14	0.48 0.38	21.8 21.4	21.4 20.7	6.48 6.20	2.54 2.54	2.54	3.9 3.4	2.75 2.50	3.4 3.2	1.75 1.55	15.1 14.9	4.4 4.2	5.9 5.7	0.25	1.0	65° 55°

Note

1. Plastic or metal protrusions of 0.25 mm maximum per side are not included.

OUTLINE VERSION	REFERENCES				EUROPEAN PROJECTION	ISSUE DATE
	IEC	JEDEC	EIAJ			
SOT111-1						92-11-17 95-03-11

Triple video output amplifier

TDA6108JF

SOLDERING**Introduction to soldering through-hole mount packages**

This text gives a brief insight to wave, dip and manual soldering. A more in-depth account of soldering ICs can be found in our *"Data Handbook IC26; Integrated Circuit Packages"* (document order number 9398 652 90011).

Wave soldering is the preferred method for mounting of through-hole mount IC packages on a printed-circuit board.

Soldering by dipping or by solder wave

The maximum permissible temperature of the solder is 260 °C; solder at this temperature must not be in contact with the joints for more than 5 seconds.

The total contact time of successive solder waves must not exceed 5 seconds.

The device may be mounted up to the seating plane, but the temperature of the plastic body must not exceed the specified maximum storage temperature ($T_{stg(max)}$). If the printed-circuit board has been pre-heated, forced cooling may be necessary immediately after soldering to keep the temperature within the permissible limit.

Manual soldering

Apply the soldering iron (24 V or less) to the lead(s) of the package, either below the seating plane or not more than 2 mm above it. If the temperature of the soldering iron bit is less than 300 °C it may remain in contact for up to 10 seconds. If the bit temperature is between 300 and 400 °C, contact may be up to 5 seconds.

Suitability of through-hole mount IC packages for dipping and wave soldering methods

PACKAGE	SOLDERING METHOD	
	DIPPING	WAVE
DBS, DIP, HDIP, SDIP, SIL	suitable	suitable ⁽¹⁾

Note

- For SDIP packages, the longitudinal axis must be parallel to the transport direction of the printed-circuit board.

DEFINITIONS

Data sheet status	
Objective specification	This data sheet contains target or goal specifications for product development.
Preliminary specification	This data sheet contains preliminary data; supplementary data may be published later.
Product specification	This data sheet contains final product specifications.
Limiting values	
Limiting values given are in accordance with the Absolute Maximum Rating System (IEC 134). Stress above one or more of the limiting values may cause permanent damage to the device. These are stress ratings only and operation of the device at these or at any other conditions above those given in the Characteristics sections of the specification is not implied. Exposure to limiting values for extended periods may affect device reliability.	
Application information	
Where application information is given, it is advisory and does not form part of the specification.	

LIFE SUPPORT APPLICATIONS

These products are not designed for use in life support appliances, devices, or systems where malfunction of these products can reasonably be expected to result in personal injury. Philips customers using or selling these products for use in such applications do so at their own risk and agree to fully indemnify Philips for any damages resulting from such improper use or sale.

Triple video output amplifier

TDA6108JF

NOTES

Philips Semiconductors – a worldwide company

Argentina: see South America

Australia: 3 Figtree Drive, HOMEBUSH, NSW 2140,
Tel. +61 2 9704 8141, Fax. +61 2 9704 8139

Austria: Computerstr. 6, A-1101 WIEN, P.O. Box 213,
Tel. +43 1 60 101 1248, Fax. +43 1 60 101 1210

Belarus: Hotel Minsk Business Center, Bld. 3, r. 1211, Volodarski Str. 6,
220050 MINSK, Tel. +375 172 20 0733, Fax. +375 172 20 0773

Belgium: see The Netherlands

Brazil: see South America

Bulgaria: Philips Bulgaria Ltd., Energoproject, 15th floor,
51 James Bourchier Blvd., 1407 SOFIA,
Tel. +359 2 68 9211, Fax. +359 2 68 9102

Canada: PHILIPS SEMICONDUCTORS/COMPONENTS,
Tel. +1 800 234 7381, Fax. +1 800 943 0087

China/Hong Kong: 501 Hong Kong Industrial Technology Centre,
72 Tat Chee Avenue, Kowloon Tong, HONG KONG,
Tel. +852 2319 7888, Fax. +852 2319 7700

Colombia: see South America

Czech Republic: see Austria

Denmark: Sydhavnsgade 23, 1780 COPENHAGEN V,
Tel. +45 33 29 3333, Fax. +45 33 29 3905

Finland: Sinikalliontie 3, FIN-02630 ESPOO,
Tel. +358 9 615 800, Fax. +358 9 6158 0920

France: 51 Rue Carnot, BP317, 92156 SURESNES Cedex,
Tel. +33 1 4099 6161, Fax. +33 1 4099 6427

Germany: Hammerbrookstraße 69, D-20097 HAMBURG,
Tel. +49 40 2353 60, Fax. +49 40 2353 6300

Hungary: see Austria

India: Philips INDIA Ltd, Band Box Building, 2nd floor,
254-D, Dr. Annie Besant Road, Worli, MUMBAI 400 025,
Tel. +91 22 493 8541, Fax. +91 22 493 0966

Indonesia: PT Philips Development Corporation, Semiconductors Division,
Gedung Philips, Jl. Buncit Raya Kav.99-100, JAKARTA 12510,
Tel. +62 21 794 0040 ext. 2501, Fax. +62 21 794 0080

Ireland: Newstead, Clonskeagh, DUBLIN 14,
Tel. +353 1 7640 000, Fax. +353 1 7640 200

Israel: RAPAC Electronics, 7 Kehilat Saloniki St, PO Box 18053,
TEL AVIV 61180, Tel. +972 3 645 0444, Fax. +972 3 649 1007

Italy: PHILIPS SEMICONDUCTORS, Via Casati, 23 - 20052 MONZA (MI),
Tel. +39 039 203 6838, Fax +39 039 203 6800

Japan: Philips Bldg 13-37, Kohnan 2-chome, Minato-ku,
TOKYO 108-8507, Tel. +81 3 3740 5130, Fax. +81 3 3740 5057

Korea: Philips House, 260-199 Itaewon-dong, Yongsan-ku, SEOUL,
Tel. +82 2 709 1412, Fax. +82 2 709 1415

Malaysia: No. 76 Jalan Universiti, 46200 PETALING JAYA, SELANGOR,
Tel. +60 3 750 5214, Fax. +60 3 757 4880

Mexico: 5900 Gateway East, Suite 200, EL PASO, TEXAS 79905,
Tel. +9-5 800 234 7381, Fax +9-5 800 943 0087

Middle East: see Italy

Netherlands: Postbus 90050, 5600 PB EINDHOVEN, Bldg. VB,
Tel. +31 40 27 82785, Fax. +31 40 27 88399

New Zealand: 2 Wagener Place, C.P.O. Box 1041, AUCKLAND,
Tel. +64 9 849 4160, Fax. +64 9 849 7811

Norway: Box 1, Manglerud 0612, OSLO,
Tel. +47 22 74 8000, Fax. +47 22 74 8341

Pakistan: see Singapore

Philippines: Philips Semiconductors Philippines Inc.,
106 Valero St. Salcedo Village, P.O. Box 2108 MCC, MAKATI,
Metro MANILA, Tel. +63 2 816 6380, Fax. +63 2 817 3474

Poland: Al.Jerozolimskie 195 B, 02-222 WARSAW,
Tel. +48 22 5710 000, Fax. +48 22 5710 001

Portugal: see Spain

Romania: see Italy

Russia: Philips Russia, Ul. Usatcheva 35A, 119048 MOSCOW,
Tel. +7 095 755 6918, Fax. +7 095 755 6919

Singapore: Lorong 1, Toa Payoh, SINGAPORE 319762,
Tel. +65 350 2538, Fax. +65 251 6500

Slovakia: see Austria

Slovenia: see Italy

South Africa: S.A. PHILIPS Pty Ltd., 195-215 Main Road Martindale,
2092 JOHANNESBURG, P.O. Box 58088 Newville 2114,
Tel. +27 11 471 5401, Fax. +27 11 471 5398

South America: Al. Vicente Pinzon, 173, 6th floor,
04547-130 SÃO PAULO, SP, Brazil,
Tel. +55 11 821 2333, Fax. +55 11 821 2382

Spain: Balmes 22, 08007 BARCELONA,
Tel. +34 93 301 6312, Fax. +34 93 301 4107

Sweden: Kottbygatan 7, Akalla, S-16485 STOCKHOLM,
Tel. +46 8 5985 2000, Fax. +46 8 5985 2745

Switzerland: Allmendstrasse 140, CH-8027 ZÜRICH,
Tel. +41 1 488 2741 Fax. +41 1 488 3263

Taiwan: Philips Semiconductors, 6F, No. 96, Chien Kuo N. Rd., Sec. 1,
TAIPEI, Taiwan Tel. +886 2 2134 2886, Fax. +886 2 2134 2874

Thailand: PHILIPS ELECTRONICS (THAILAND) Ltd.,
209/2 Sanpavuth-Bangna Road Prakanong, BANGKOK 10260,
Tel. +66 2 745 4090, Fax. +66 2 398 0793

Turkey: Yukari Dudullu, Org. San. Blg., 2.Cad. Nr. 28 81260 Umraniye,
ISTANBUL, Tel. +90 216 522 1500, Fax. +90 216 522 1813

Ukraine: PHILIPS UKRAINE, 4 Patrice Lumumba str., Building B, Floor 7,
252042 KIEV, Tel. +380 44 264 2776, Fax. +380 44 268 0461

United Kingdom: Philips Semiconductors Ltd., 276 Bath Road, Hayes,
MIDDLESEX UB3 5BX, Tel. +44 208 730 5000, Fax. +44 208 754 8421

United States: 811 East Arques Avenue, SUNNYVALE, CA 94088-3409,
Tel. +1 800 234 7381, Fax. +1 800 943 0087

Uruguay: see South America

Vietnam: see Singapore

Yugoslavia: PHILIPS, Trg N. Pasica 5/v, 11000 BEOGRAD,
Tel. +381 11 62 5344, Fax.+381 11 63 5777

For all other countries apply to: Philips Semiconductors,
International Marketing & Sales Communications, Building BE-p, P.O. Box 218,
5600 MD EINDHOVEN, The Netherlands, Fax. +31 40 27 24825

Internet: <http://www.semiconductors.philips.com>

© Philips Electronics N.V. 1999

SCA 68

All rights are reserved. Reproduction in whole or in part is prohibited without the prior written consent of the copyright owner.

The information presented in this document does not form part of any quotation or contract, is believed to be accurate and reliable and may be changed without notice. No liability will be accepted by the publisher for any consequence of its use. Publication thereof does not convey nor imply any license under patent- or other industrial or intellectual property rights.

Printed in The Netherlands

545004/200/03/pp16

Date of release: 1999 Oct 29

Document order number: 9397 750 06486

Let's make things better.

Philips
Semiconductors



PHILIPS

www.s-manuals.com