

# RC10

**WORLD'S CAR**

#6002 RC10 World's Car Kit



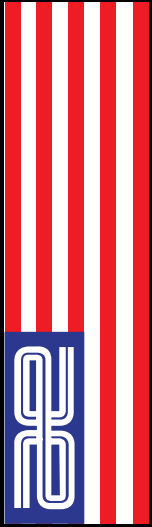
**competitionX**  
A WEB SITE FOR THE SERIOUS RACER



1:10 SCALE COMPETITION 2WD OFFROAD CAR KIT MANUAL & CATALOG



# TEAM ASSOCIATED



## :: Introduction

Thank you for purchasing this Team Associated product. This assembly manual contains instructions and tips for building and maintaining your new RC10 Worlds Car Kit. Please take a moment to read through this manual to help familiarize yourself with these steps.

We are continually changing and improving our designs; therefore, actual parts may appear slightly different than in the illustrations. New parts will be noted on supplementary sheets located in the appropriate parts bags.

Check each bag for these sheets before you start to build.

## :: KIT Features

Features in the RC10 Worlds Car Kit:

- Black hard anodized 6061-T6 machined aluminum monocoque chassis
- Stealth 3-gear transmission with ball differential
- V2 slipper assembly with molded gear cover
- 16 precision ball bearings included
- Turbo Mirage body, 5.5" wing, and replica vintage decals
- V2 threaded hard anodized 6061-T6 aluminum coilover shocks with molded bleeder caps
- Independent suspension with durable long front arms and refined geometry
- In-line aluminum front axles and 30 degree caster blocks
- Fiber composite shock towers and battery strap
- Graphite transmission brace
- Updated CVA axle drivetrain
- World's Car bellcrank steering
- 2.2" one-piece wheels
- Steel turnbuckles

## :: Additional

Your new RC10 Worlds Kit comes as a kit. There are some items you will need to complete your kit (refer to catalog for suggestions):

- R/C two channel surface frequency radio system
- Electronic Speed Control (ESC)
- Steering Servo
- 2S, 7.4V Lipo stick battery or 7.2V NiMH battery
- Peak detection battery charger
- #2 Bit Type Phillips Screw Driver
- Pinion gear, size to be determined by type and wind of motor you use
- R/C Electric Motor
- Tires with inserts
- Thread Lock (AE # 1596)
- Polycarbonate specific paint

Tools included:

- Allen wrenches (AE # 6950)  
(.050", 1/16", 3/32", 5/64")
- Molded tools (AE # 6956)
- Camber gauge (AE # 1719)

## :: Other Helpful Items

- Silicone Shock Fluid (Refer to catalog for complete listings)
- Body Scissors (AE # 1737)
- FT Hex Wrenches (AE # 1655)
- Soldering Iron
- Tire Adhesive (AE # 1597)
- Wire Cutters
- Multi Tool (AE # 7494)
- Green Slime shock lube (AE # 1105)
- Reamer / Hole Punch
- Needle Nose Pliers
- Calipers or a Precision Ruler
- Hobby Knife








**Associated Electrics, Inc.**  
26021 Commercentre Dr.  
Lake Forest, CA 92630



**Customer Service**  
Tel: 949.544.7500  
Fax: 949.544.7501

**:: Hardware - 1:1 Scale View**




**Cap Head (shcs)**

-  **4-40x1/4 (6285)**
-  **4-40x5/16" (6932)  
(4145, aluminum)**
-  **4-40x3/8 (6924)  
w/hole (6929)**
-  **4-40x1/2 (6925)  
w/hole (6916)**
-  **4-40x5/8 (6926)**
-  **4-40x3/4 (6927)**
-  **4-40x1 (6928)**







**Flat Head (fhcs)**

-  **4-40x3/8 (6292)**
-  **4-40x1/2 (6922)**




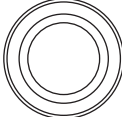
**Flat Head (fhps)**

-  **8-32x1/4 (6931)**
-  **8-32x1/2 (6280)**
-  **8-32x7/8 (6281)**

**Button Head (bhcs)**

-  **0-80x3/16 (6613)**
-  **2-56x1/8 (9645)**
-  **4-40x3/16 (6920)**
-  **4-40x1/4 (6288)**
-  **4-40x3/8 (6917)**
-  **3x6mm (31531)**

**Bushings / Bearings**

-  **Oilite Bushing Set (6630)  
1/4 x 3/8 x 1/8 Flanged**
-  **5/32" x 5/16" x .125"  
ball bearing (6589)**
-  **3/16" x 3/8"  
ball bearing (3977)  
(PTFE bearing, 6906)**
-  **3/8" x 5/8"  
ball bearing (3976)  
(PTFE bearing, 6903)**

**Set Screws**

-  **4-40x1/8 (6951)**
-  **4-40x5/16 (4436)**



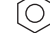



**Clips**

-  **E-clip 1/8 (6299)**

**Diff Balls**




-  **5/64 Diff Thrust Balls (6574)**
-  **3/32 Carbide Diff Balls (6581)**

**Nuts (lock/plain)**

-  **4-40 Plastic Nut (6472)**
-  **4-40 Nuts (6295)**
-  **4-40 Small Pattern  
Plain Nut (7260)**
-  **5-40 Diff Locknut (6629)**
-  **4-40"/5-40" nylon locknut (6222)**
-  **8-32 Steel Locknut (6952)**

**Notes:**

**Shims and Washers**

-  **.030 Nylon Spacer (4187)**
-  **3/16 Axle Shim - Silver (7368)**
-  **#4 Washer (6936)**
-  **#8 Aluminum Thick  
Washer (3323)**

**Ballstuds**

-  **Silver .20 Short (6271)**
-  **Silver .30 Long (6273)**

## :: Table of Contents

1..... Cover	11 - 12..... Turnbuckles Build (Bag F)
2..... Introduction	12 - 14..... Shocks Build (Bag G-GG)
3..... 1:1 Hardware "Fold Out"	14 - 15 ..... Chassis Build (Bag H-HH)
4..... Table of Contents	15 - 16..... Servo Build (Bag I)
5..... Nose Plate / Steering Build (Bag A-AA)	16 - 17..... Wheels, Tires and Body Install (Bag J)
6..... Front Suspension Build (Bag B)	18 - 19..... Tuning Tips
7 - 8..... Transmission Build (Bag C-CC)	20 - 28..... Catalog
9..... Rear Bulkhead Build (Bag D-DD)	29..... Setup Sheet "Blank"
10 - 11..... Rear Suspension Build (Bag E)	30..... Back Cover

## :: Notes



**This symbol indicates a special note or instruction in the manual.**



**This symbol indicates a Racers Tip.**

**There is a 1:1 hardware foldout page in the front of the manual. To check the size of a part, line up your hardware with the correct drawing until you find the exact size. Each part in the foldout has a number assigned to it for ordering replacement parts.**

Associated Electrics, Inc.  
26021 Commercentre Dr.  
Lake Forest, CA 92630



Customer Service  
Tel: 949.544.7500  
Fax: 949.544.7501

**:: Nose Plate / Steering Build - Bag A-AA - Step 1**

**6331**  
RC10 Body Mounts (white)

**3323**  $\Sigma 2$   
#8 Aluminum Washer (thick)

**6309**  
RC10WC Front Nose Plate, (black)

**6280**  
8-32 x 1/2 Aluminum FHPS

**6931**  
8-32 x 1/4 FHPS

**6302**  
RC10WC Chassis, (black)

**6254**  
RC10WC Bellcranks

**6271**  $\Sigma 3$   
Ballstud .20 (silver)

You can use 2 or 3 #3323 #8 washers based on body height preference.

**#1596**  
thread lock

**:: Nose Plate / Steering Build - Bag A-AA - Step 2**

**6254**  $\Sigma 2$   
Bellcrank Bushing Nut

**6630**  $\Sigma 4$   
Flanged Oilite Bushing, (.25 x .375 x .125)

**6254**  $\Sigma 2$   
Bellcrank Shim

**Racer's Tip:**  
Hold the chassis and bulkhead assemblies upside down during install to ensure the #6254 bellcrank shims are correctly seated. Tighten down the bushing and then loosen until bellcrank turns freely.

**:: Nose Plate / Steering Build - Bag A-AA - Step 3**

**6936**  $\Sigma 2$   
#4 aluminum washer

**7260**  $\Sigma 2$   
4-40 Plain Nut

**6208**  $\Sigma 2$   
RC10 Front Arm Mounts (Left & Right)

**6232**  
RC10WC Front Shock Tower

**6925**  $\Sigma 2$   
4-40 x 1/2 SHCS

**#1596**  
thread lock

**6295**  $\Sigma 2$   
4-40 Nut

**6927**  $\Sigma 2$   
4-40 x 3/4 SHCS

**6271**  $\Sigma 2$   
Ballstud .20 (silver)

**6280**  $\Sigma 6$   
8-32 x 1/2 Aluminum FHPS

**:: Front Suspension Build - Bag B - Step 1**

**7260**  
4-40  
Plain  
Nut

**LEFT**

**6273**  
Ballstud  
.30 (silver)

**6936**  $\Sigma 2$   
#4 Washer,  
Aluminum

**6225**  
RC10WC  
Inline  
Steering  
Blocks

**7222**  
Wide Front  
Axle

**6273**  
Ballstud  
.30 (silver)

**LEFT**

**6210**  
RC10 front  
caster blocks,  
30 degrees  
(Left & Right)

**7260**  
4-40  
Plain  
Nut

#1596  
thread lock

Press stub axles into steering blocks. Use a hard surface to push down on!

**Build left and right sides!**

**Build left and right sides!**

**:: Front Suspension Build - Bag B - Step 2**

**6299**  $\Sigma 2$   
E-clip  
(small)

**6951**  
4-40 x 1/8  
Set Screw

**6223**  
RC10  
King Pins

**6206**  
RC10WC  
Front Arms,  
(black)  
(Left & Right)

**6299**  $\Sigma 2$   
E-clip  
(small)

**6227**  
RC10 Front  
Outer  
Hinge Pins

**Build left and right sides!**

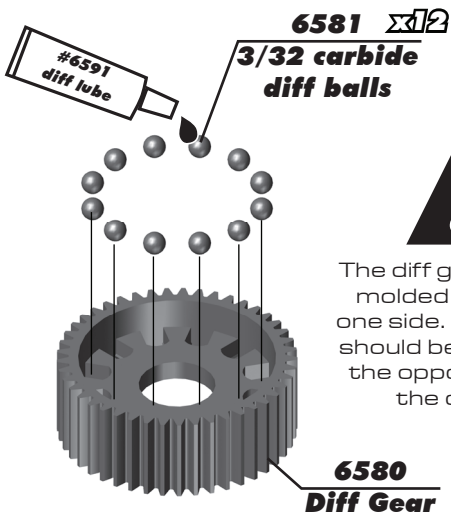
**:: Front Suspension Build - Bag B - Step 3**

**6226**  
RC10 Front  
Inner Hinge  
Pins

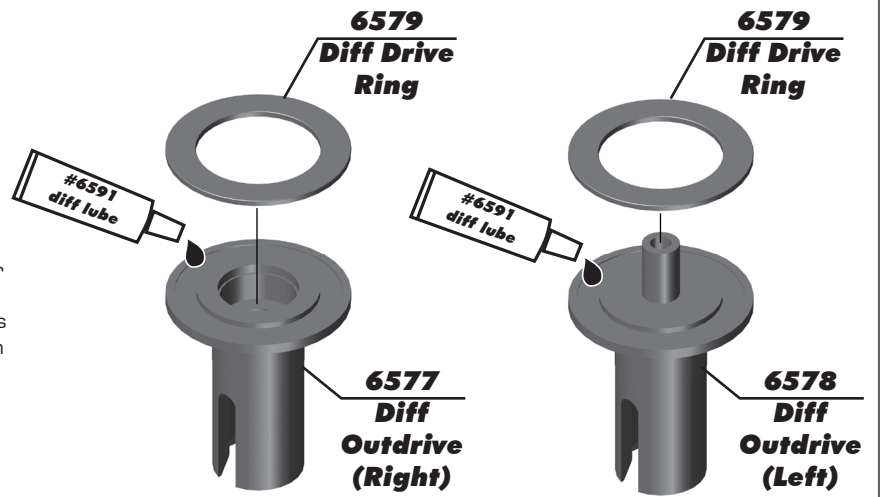
**6299**  $\Sigma 2$   
E-clip  
(small)

**Build left and right sides!**

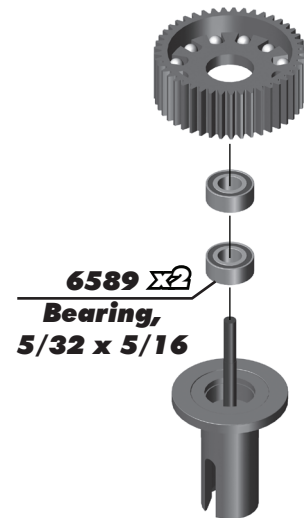
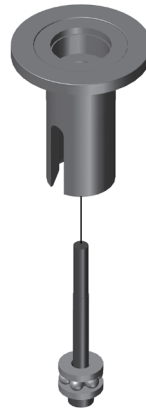
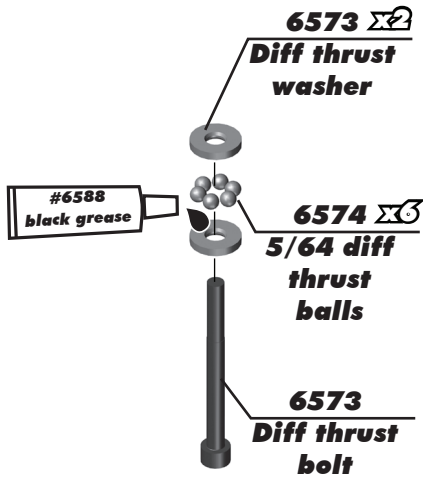
**:: Transmission Build - Bag C-CC - Step 1**



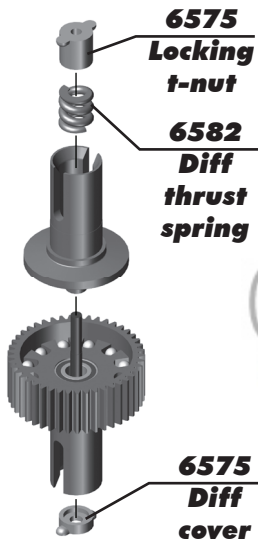
The diff gear has four molded dimples on one side. The diff balls should be installed on the opposite side of the dimples.



**:: Transmission Build - Bag C-CC - Step 2**



**:: Transmission Build - Bag C-CC - Step 3**

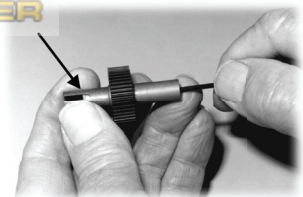


**!**  
Compress spring first.

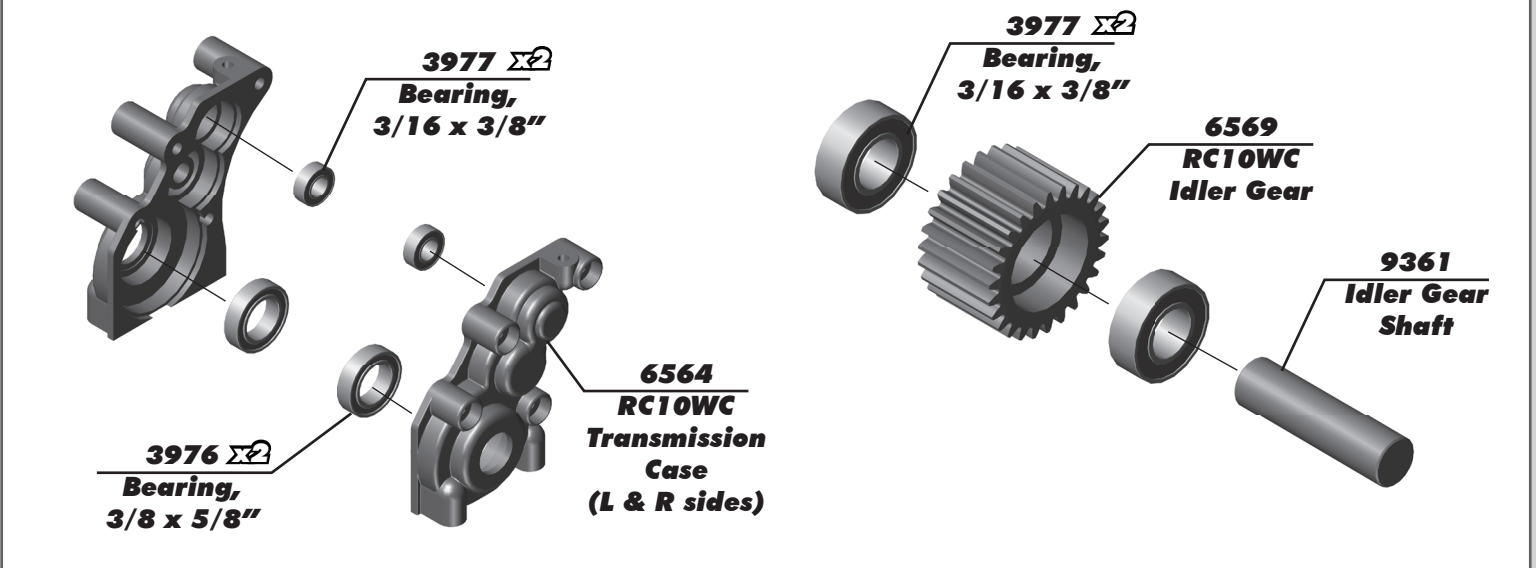
As you tighten the diff bolt, you will notice the T-nut ears moving closer to the bottom of the outdrive slot. This compresses the spring behind the T-nut. The spring should be completely compressed at the same time the T-nut reaches the end of the slot.

**Caution!** Pay close attention to the feeling when the spring is completely compressed. Do not overtighten the bolt. When you feel the spring completely compressed, loosen the diff bolt 1/4" of a turn. Your diff should now operate smoothly with resistance as the outdrives move in opposite directions. After you have driven the car once, re-check the diff setting.

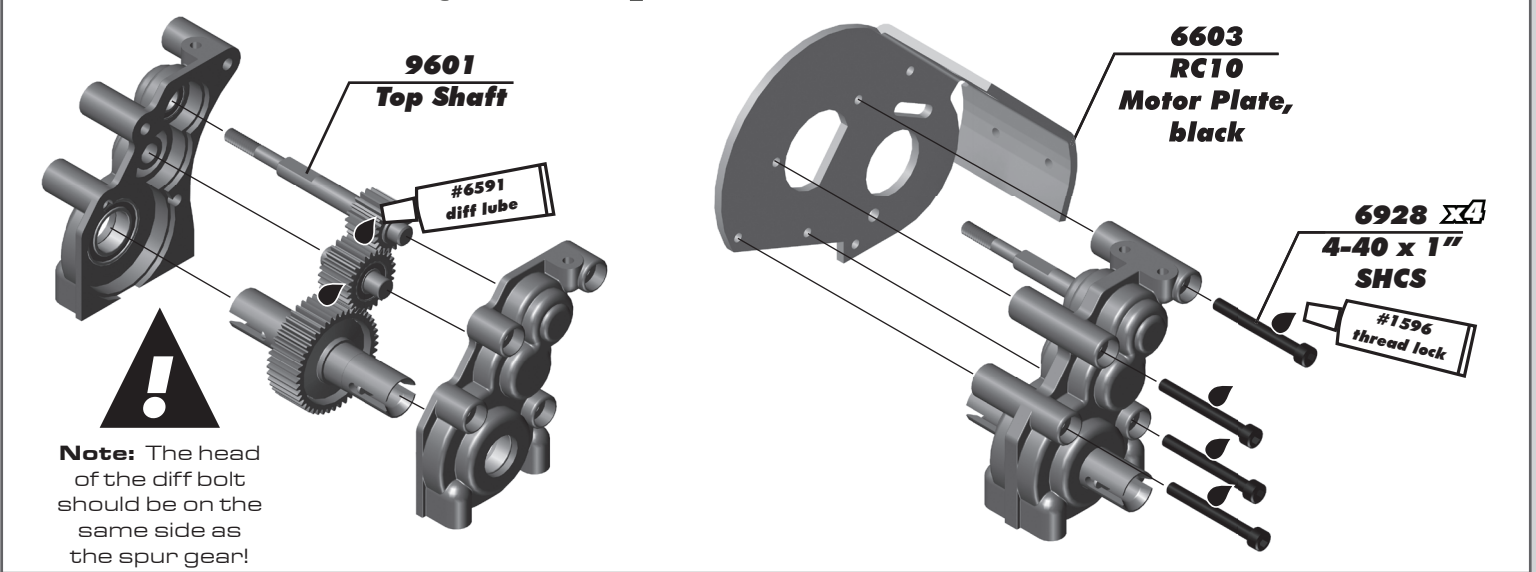
**COMPETITION**  
A WEB SITE FOR THE SERIOUS RACER



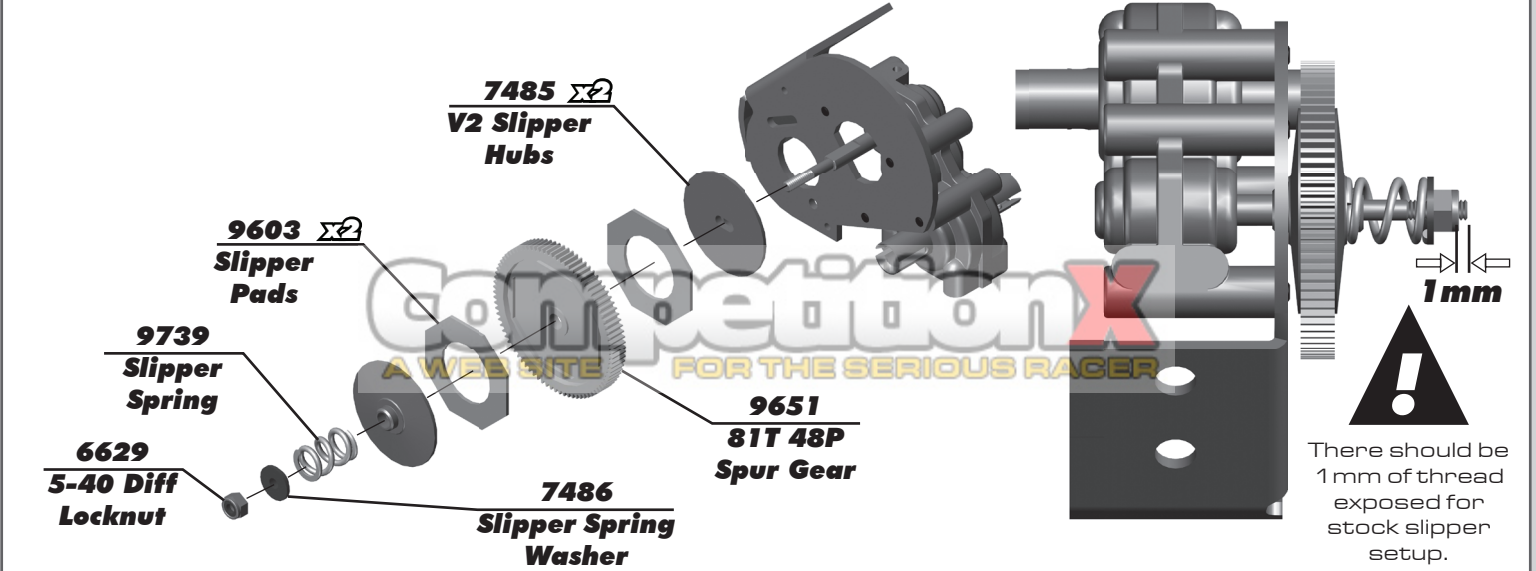
**:: Transmission Build - Bag C-CC - Step 4**



**:: Transmission Build - Bag C-CC - Step 5**

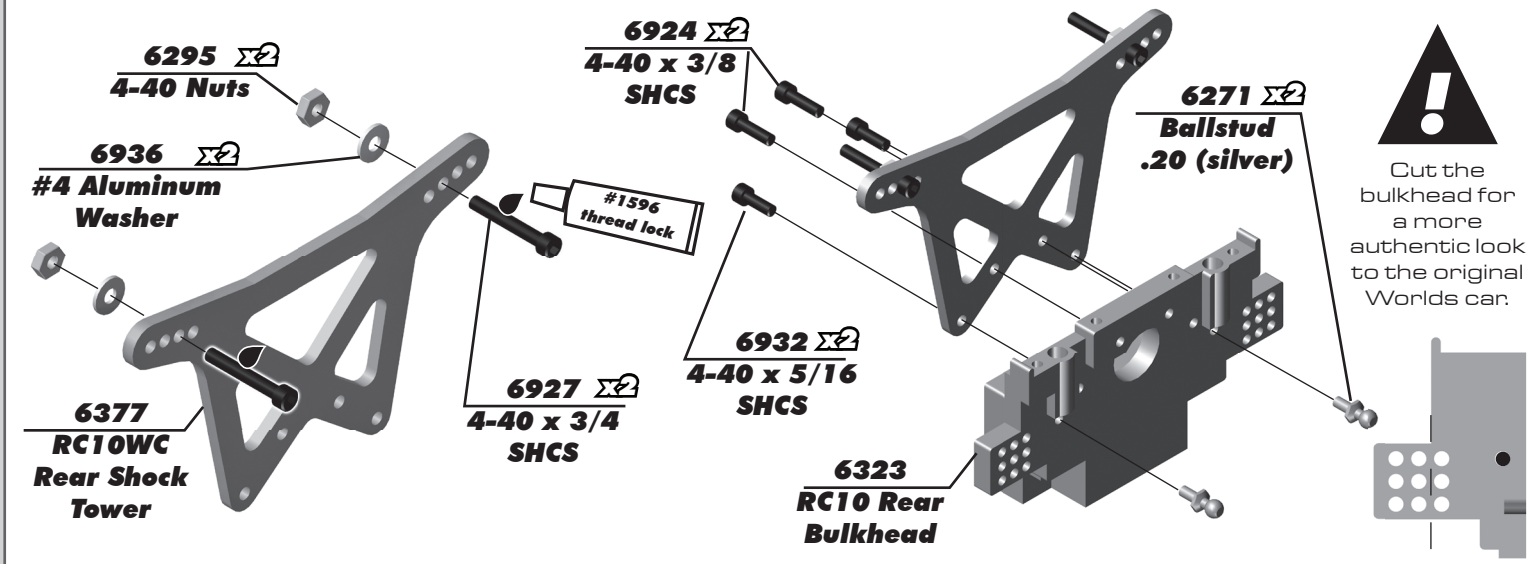


**:: Transmission Build - Bag C-CC - Step 6**

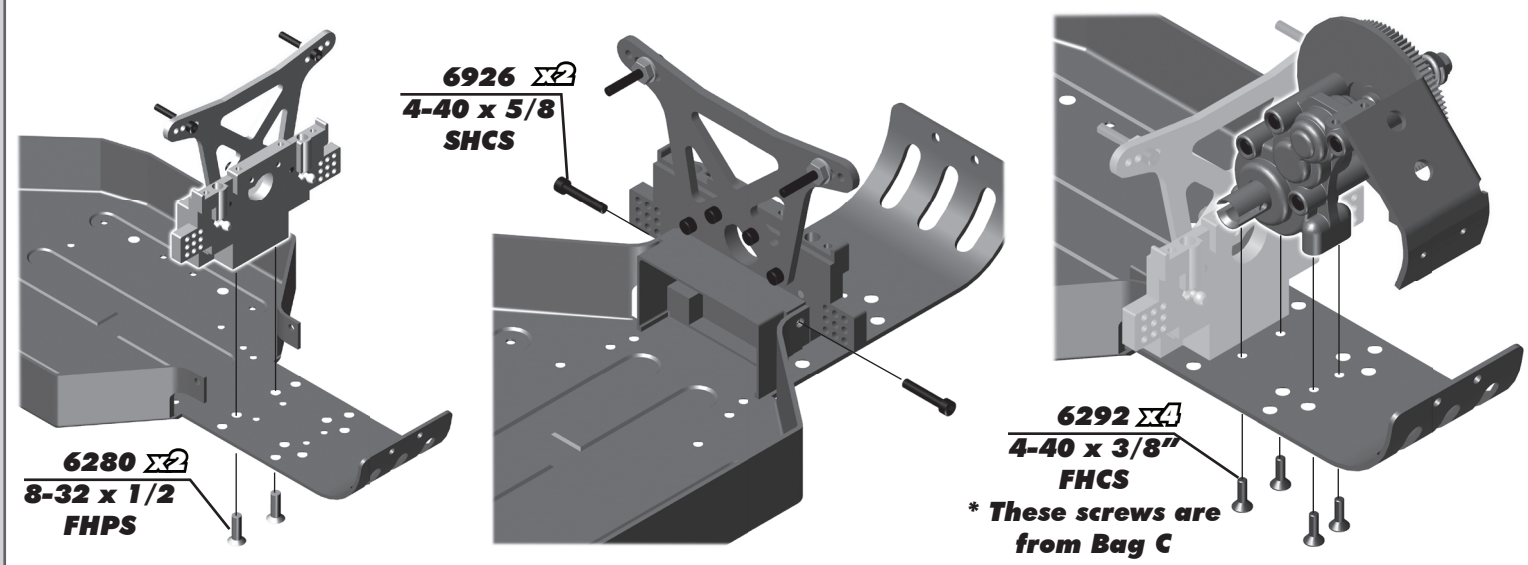




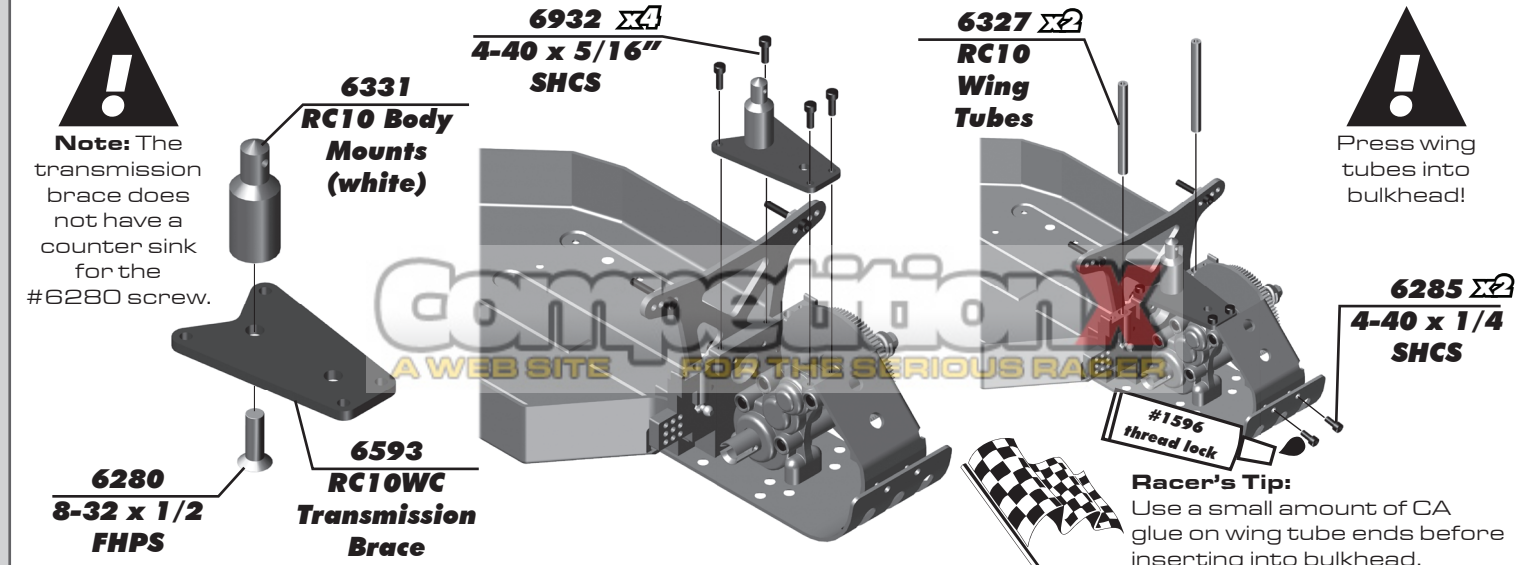
**:: Rear Bulkhead Build - Bag D-DD - Step 1**



**:: Rear Bulkhead Build - Bag D-DD - Step 2**



**:: Rear Bulkhead Build - Bag D-DD - Step 3**



**:: Rear Suspension Build - Bag E - Step 1**

**6360**  
RC10 Rear Arm Mounts

**6380**  
RC10 Rear Inner Hinge Pins

**6355B**  
RC10WC Rear Arms, (black)

**6299**  $\Sigma 2$   
E-clip (small)

**6280**  $\Sigma 2$   
8-32 x 1/2 FHPS

**Forward holes**

**Build left and right sides!**

**Build left and right sides!**

**:: Rear Suspension Build - Bag E - Step 2**

**9760**  
CVA Bone

**9755**  
CVA Axle

**7381**  
CVD Coupler

**7996**  
CVA Pin Retainer

**7381**  
CVD Pin

**Note:**  
Remove pin retainer to prevent binding if using 4-40 set screw in CVA.

**#6588**  
black grease

**#1597**  
ca glue

**1 drop!**  
CA glue not included

**Racer's Tip:**  
Use a small amount of CA glue on CVA Pin Retainer ends to hold retainer in place.

**Build x2**

**:: Rear Suspension Build - Bag E - Step 3**

**9608**  
Rear Axle Wheel Spacer, blue aluminum

**7364**  
RC10WC 0° Rear Hub

**7368**  $\Sigma 3$   
Rear Axle (Universal) Shims, 3/16 X .010"

**7377**  
Rear Axle Bearing Spacer, aluminum

**3977**  $\Sigma 2$   
Bearing, 3/16" X 3/8"

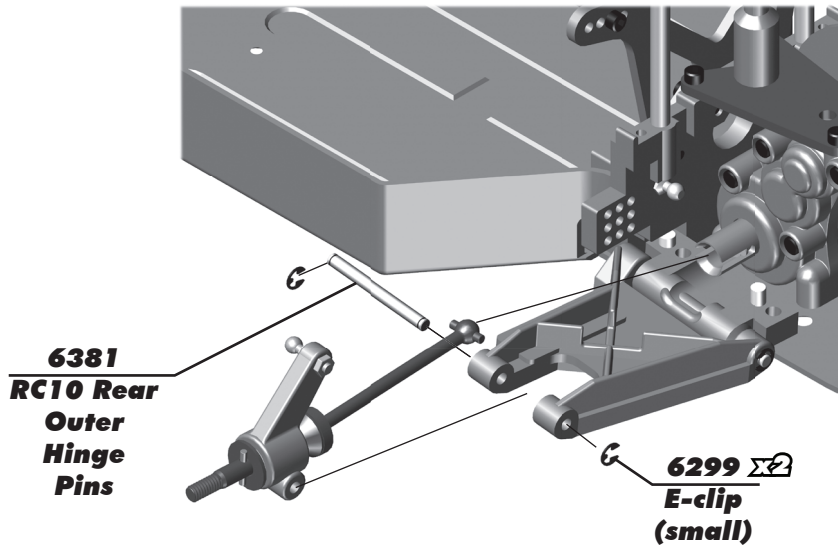
**7665**  
Drive Shaft Roll Pin

**6273**  
Ballstud .30 (silver)

**7260**  
4-40 Plain Nut

**Build left and right sides!**

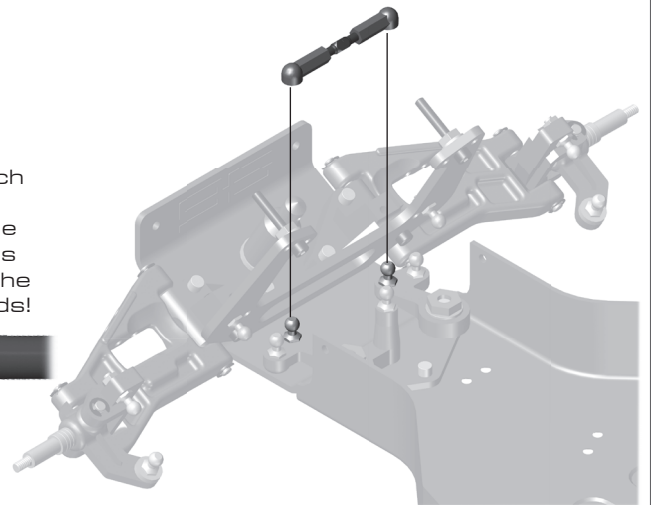
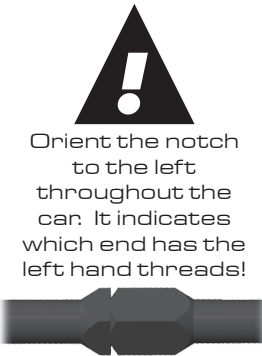
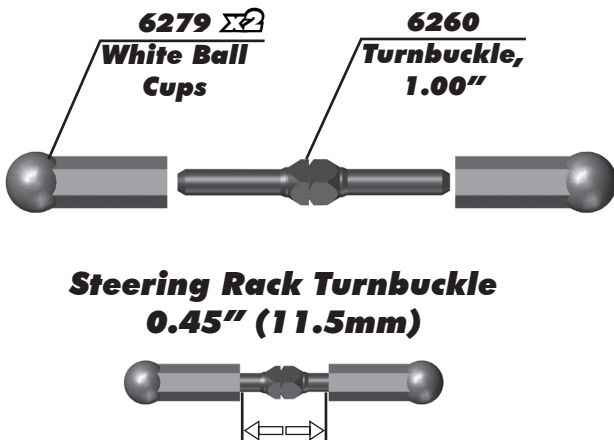
**:: Rear Suspension Build - Bag E - Step 4**



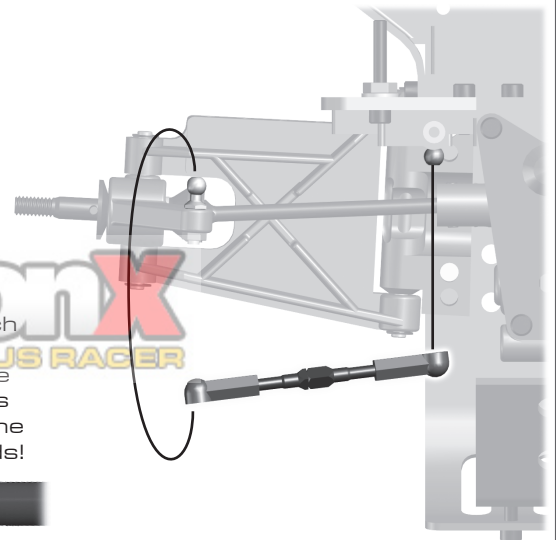
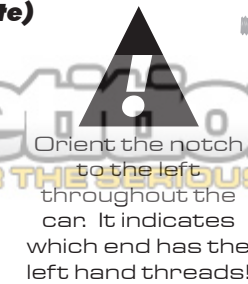
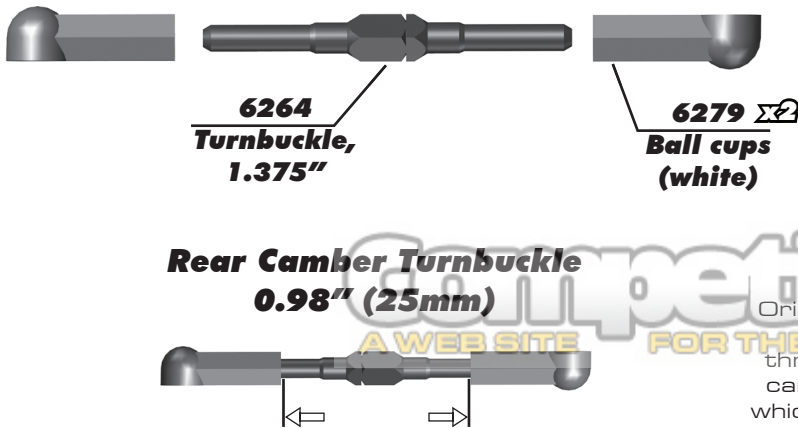
**Build left and right sides!**

**:: Turnbuckles Build - Bag F - Step 1**

**Note:**  
The servo turnbuckle will be set aside and built when the servo is built and installed into the chassis on page 15.

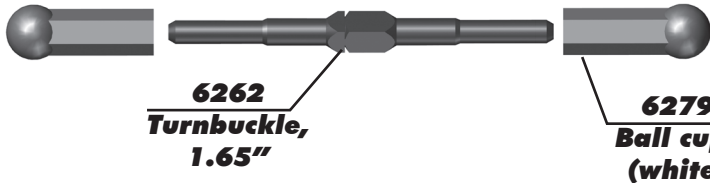


**:: Turnbuckles Build - Bag F - Step 2**

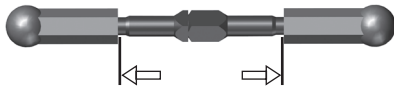


**Build left and right sides!**

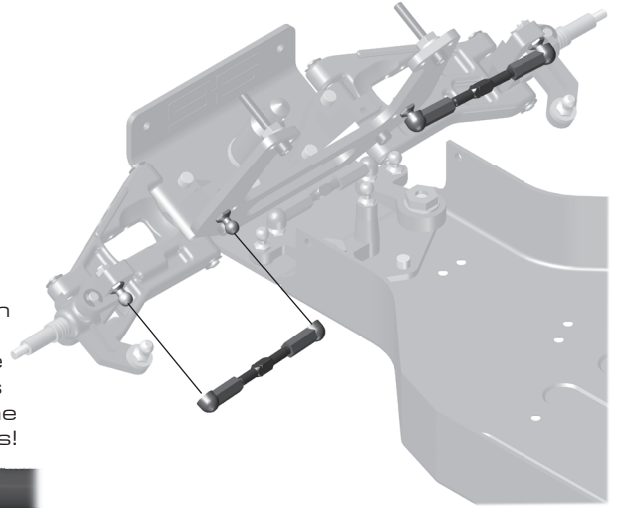
**:: Turnbuckles Build - Bag F - Step 2**



**Front Camber Turnbuckle**  
0.86" (22mm)

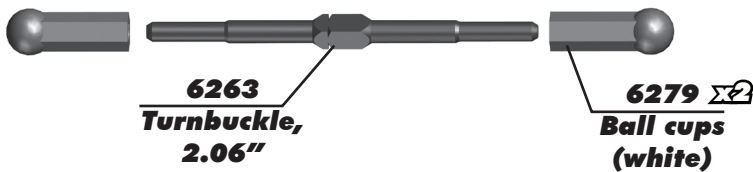


**!**  
Orient the notch to the left throughout the car. It indicates which end has the left hand threads!

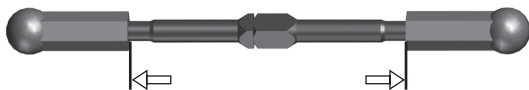


**Build left and right sides!**

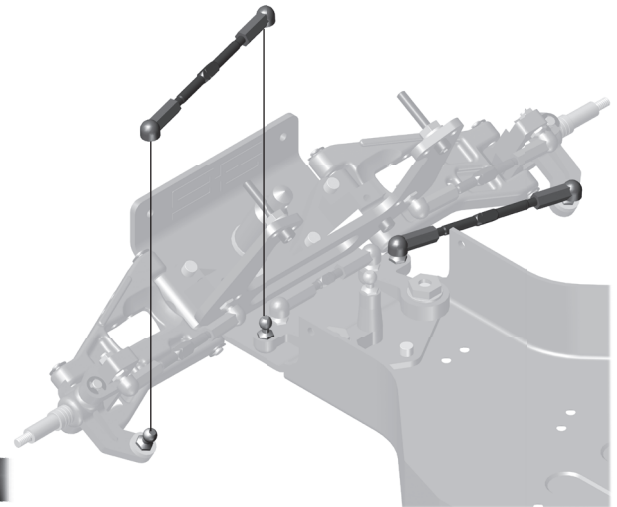
**:: Turnbuckles Build - Bag F - Step 3**



**Steering Turnbuckle**  
1.45" (37mm)



**!**  
Orient the notch to the left throughout the car. It indicates which end has the left hand threads!

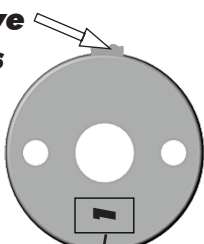


**Build left and right sides!**

**:: Shocks Build - Bag G-GG - Step 1**

**Remove spurs**

**Piston**



**Piston number here**  
Use #1 = front shocks  
Use #1 = rear shocks

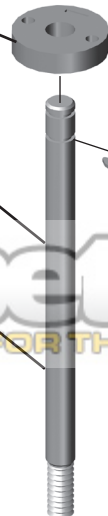
6465 Shock pistons (1, 2, 3)

6460 Shock shaft, front (0.71)

6459 Shock shaft, rear (1.02)

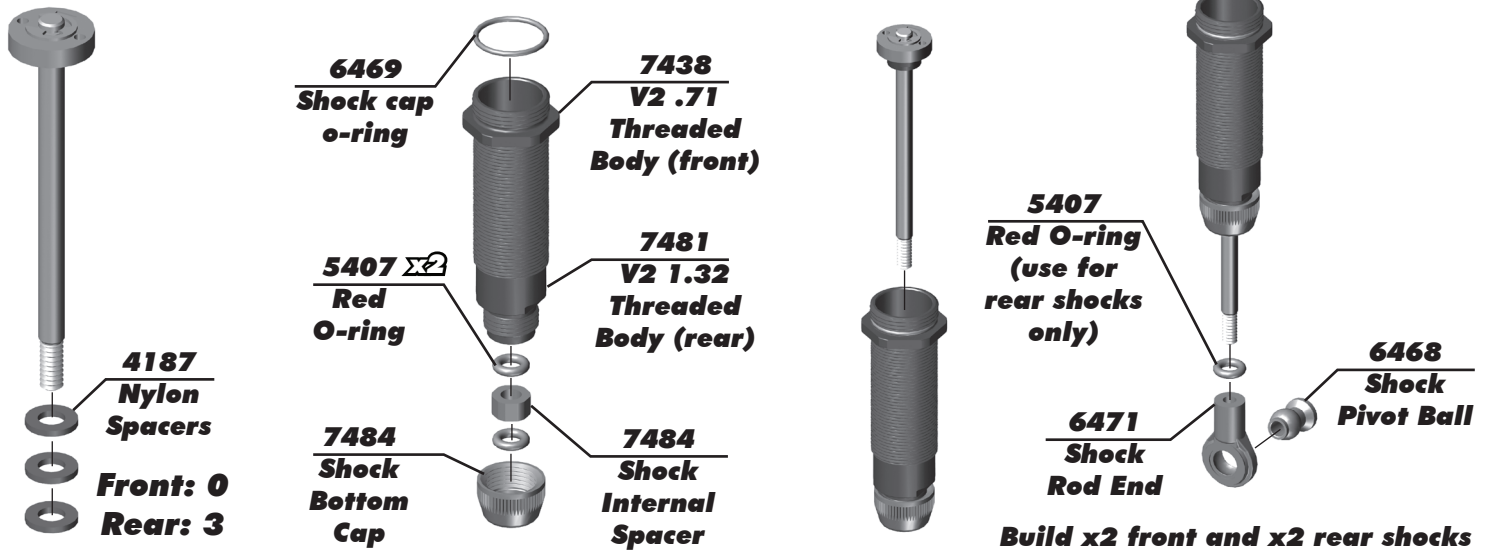
6299 E-clip (small)

6299 E-clip (small)

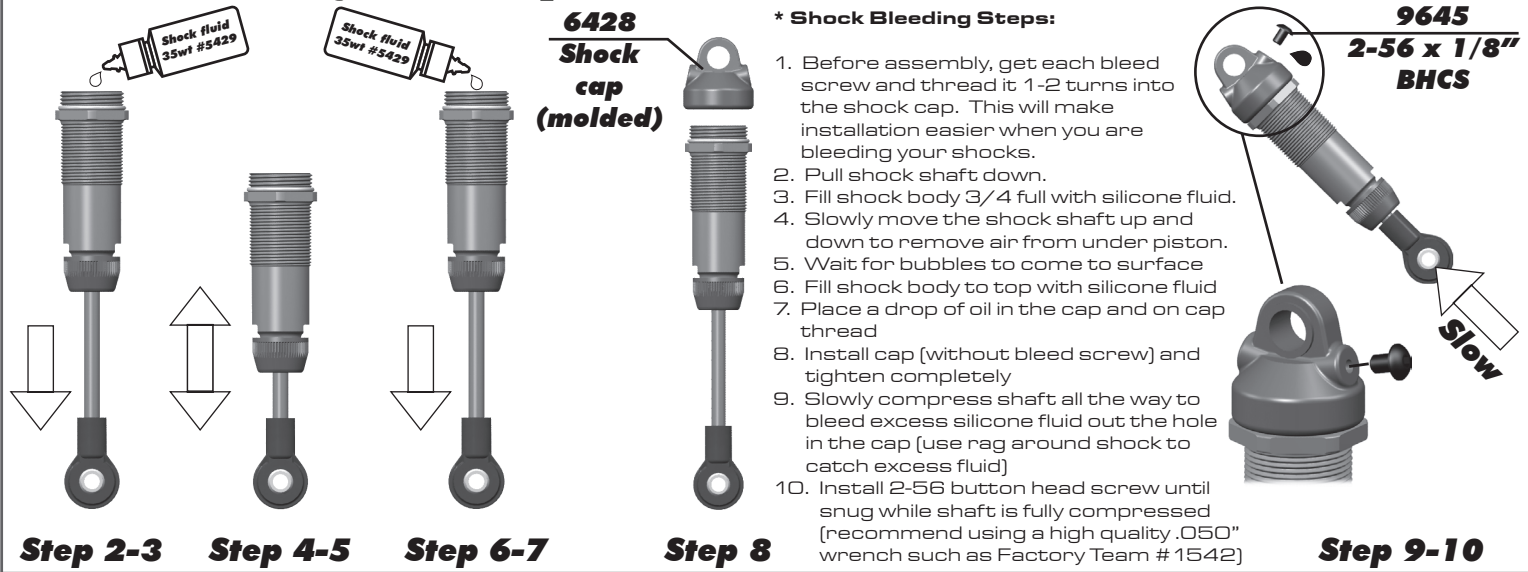


**Racer's Tip:**  
Use a marker to mark the piston numbers for easy identification!

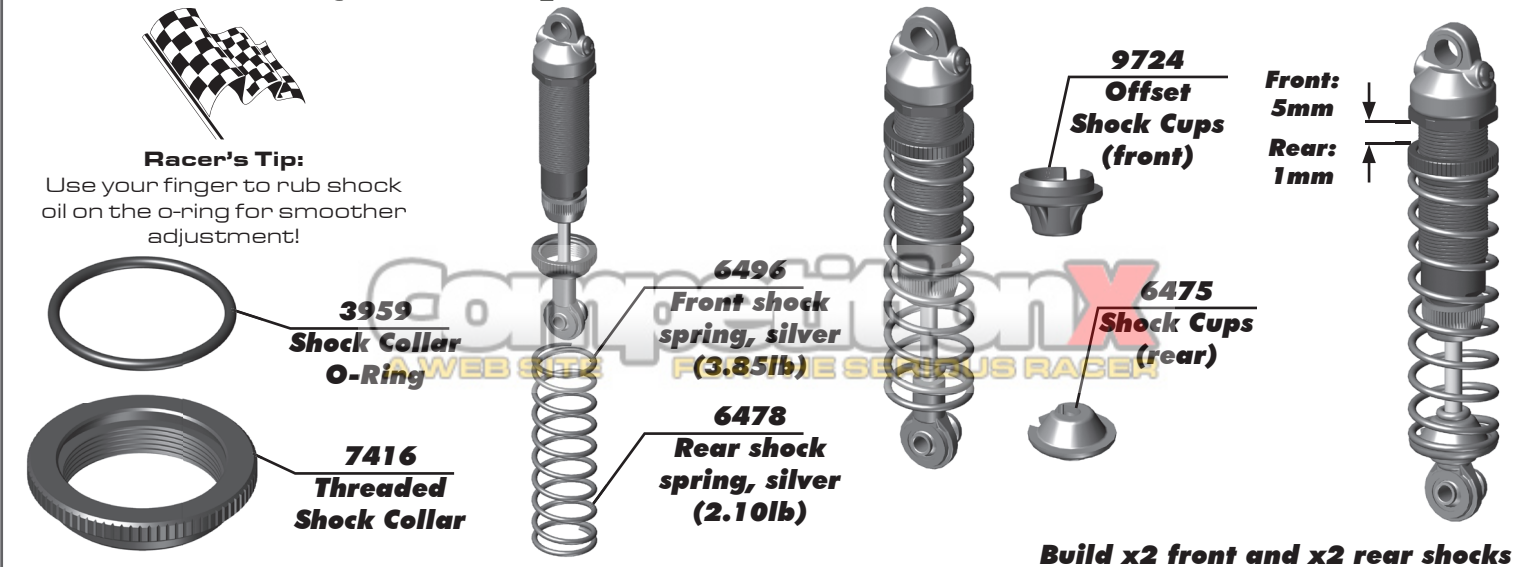
**:: Shocks Build - Bag G-GG - Step 2**



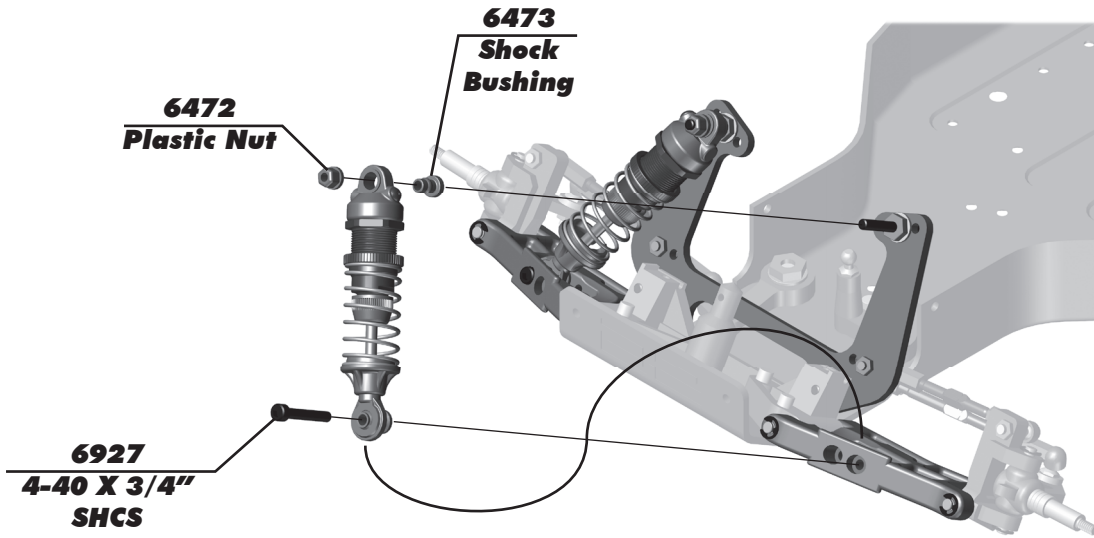
**:: Shocks Build - Bag G-GG - Step 3**



**:: Shocks Build - Bag G-GG - Step 4**

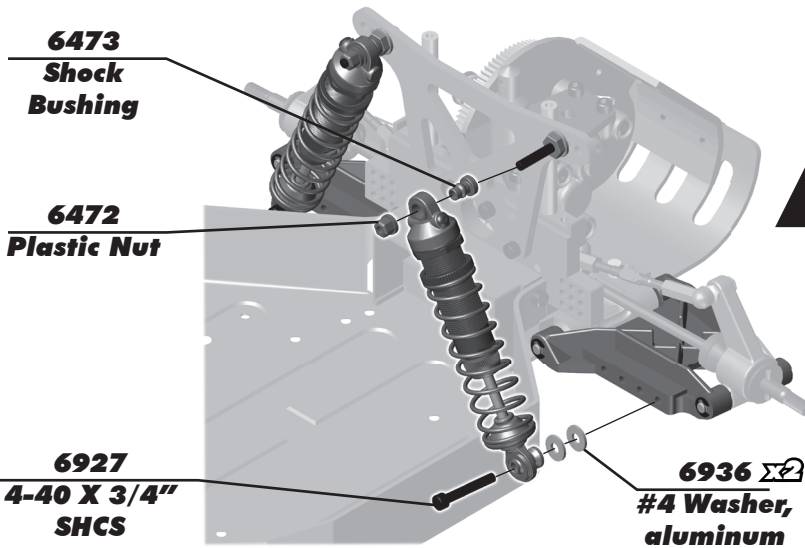


**:: Shocks Build - Bag G-GG - Step 5**

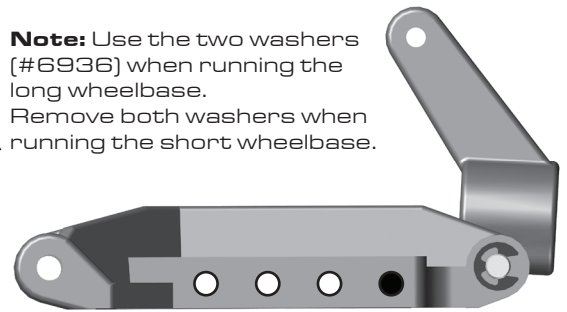


**Install two front shocks!**

**:: Shocks Build - Bag G-GG - Step 6**

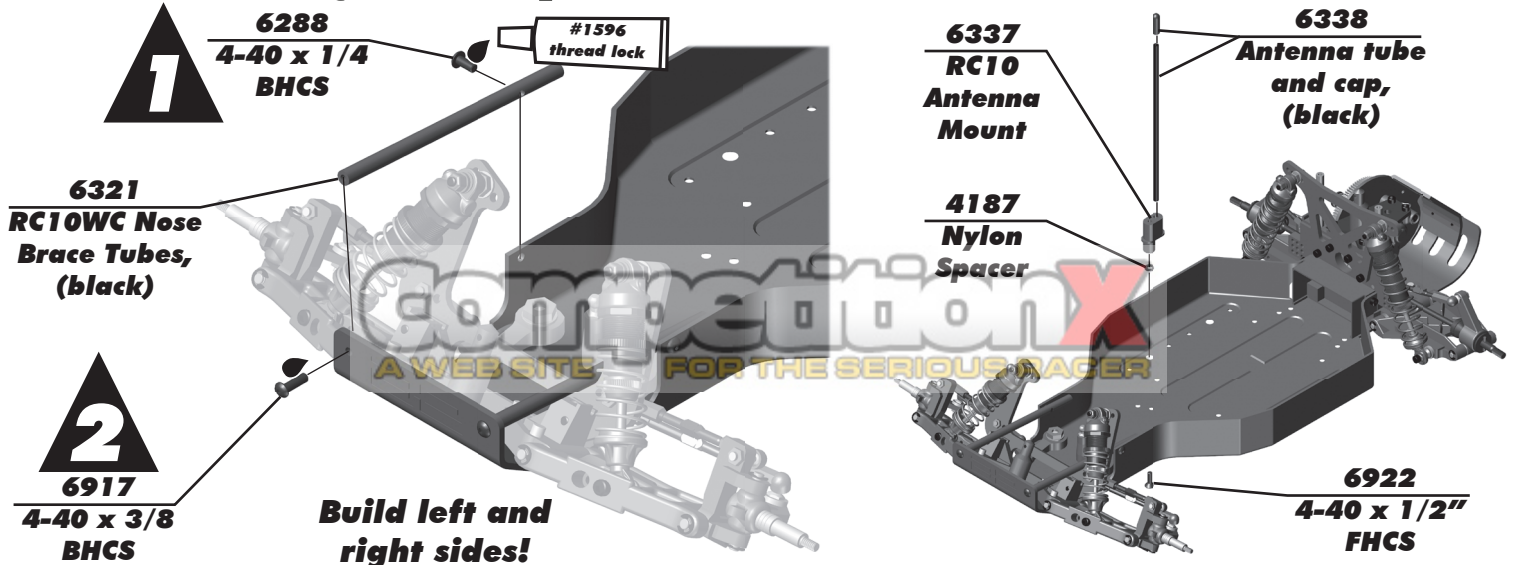


**Note:** Use the two washers (#6936) when running the long wheelbase. Remove both washers when running the short wheelbase.



**Install two rear shocks!**

**:: Chassis Build - Bag H-HH - Step 1**



**6288**  
4-40 x 1/4  
BHCS

#1596  
thread lock

**6321**  
RC10WC Nose  
Brace Tubes,  
(black)

**6337**  
RC10  
Antenna  
Mount

**6338**  
Antenna tube  
and cap,  
(black)



**6917**  
4-40 x 3/8  
BHCS

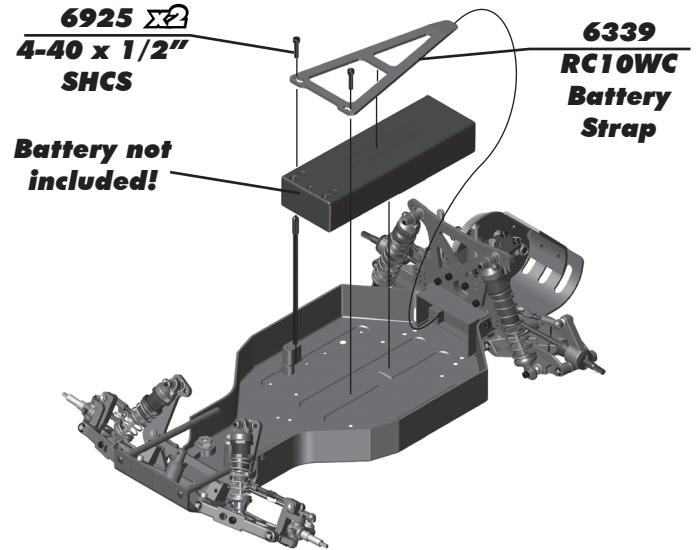
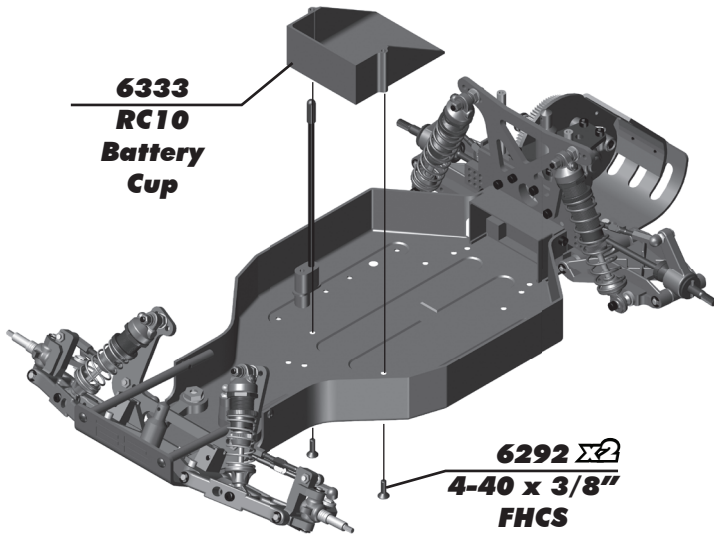
**Build left and  
right sides!**

**4187**  
Nylon  
Spacer

**6922**  
4-40 x 1/2"  
FHCS

**CompetitionX**  
A WEB SITE FOR THE SERIOUS RACER

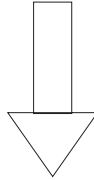
**:: Chassis Build - Bag H-HH - Step 2**



**:: Chassis Build - Bag H-HH - Step 3**



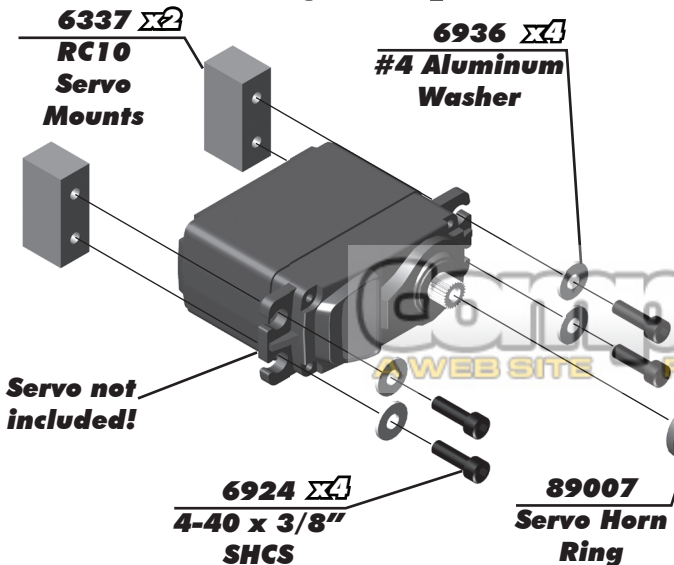
**Note:** You can sand the end of the battery strap to better fit between the battery pack and the rear bulkhead.



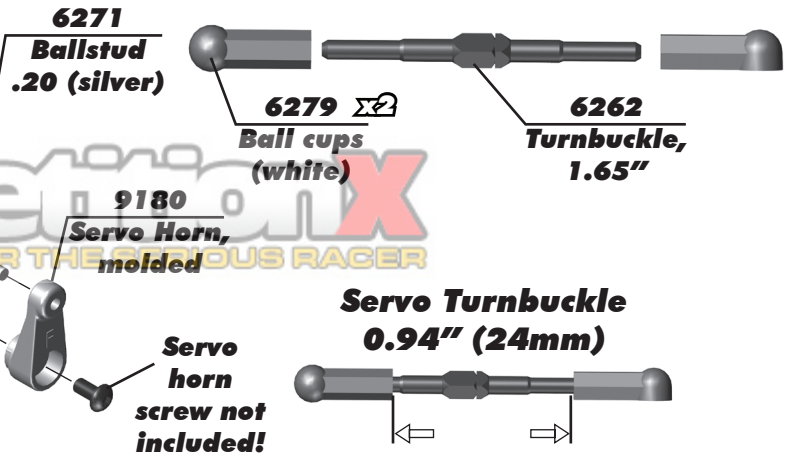
**Rear of Battery Strap**



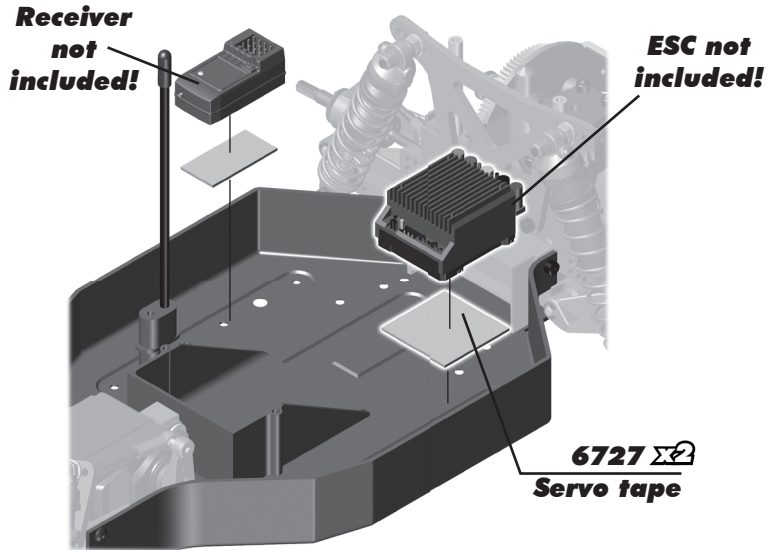
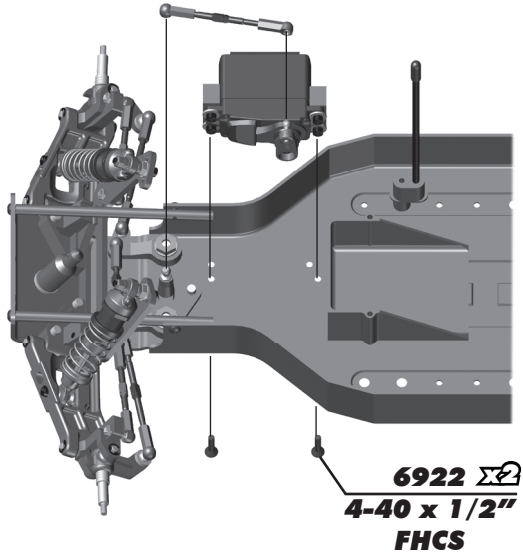
**:: Servo Build - Bag I - Step 1**



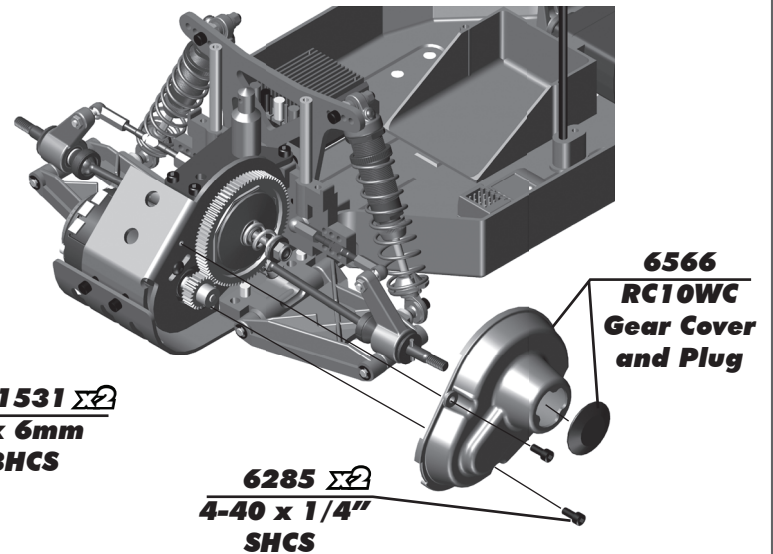
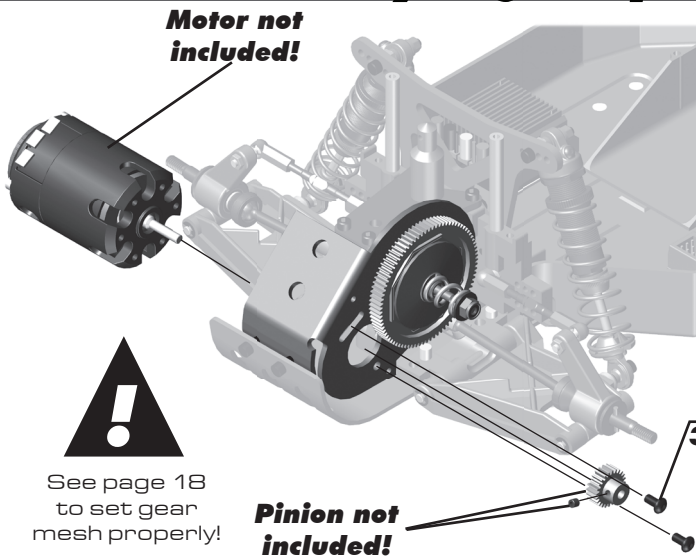
**Note:** The servo turnbuckle and ball cups are left over from bag F.



**:: Servo Build - Bag I - Step 2**



**:: Wheels / Tires and Body - Bag J - Step 1**



**:: Wheels / Tires and Body - Bag J - Step 2**

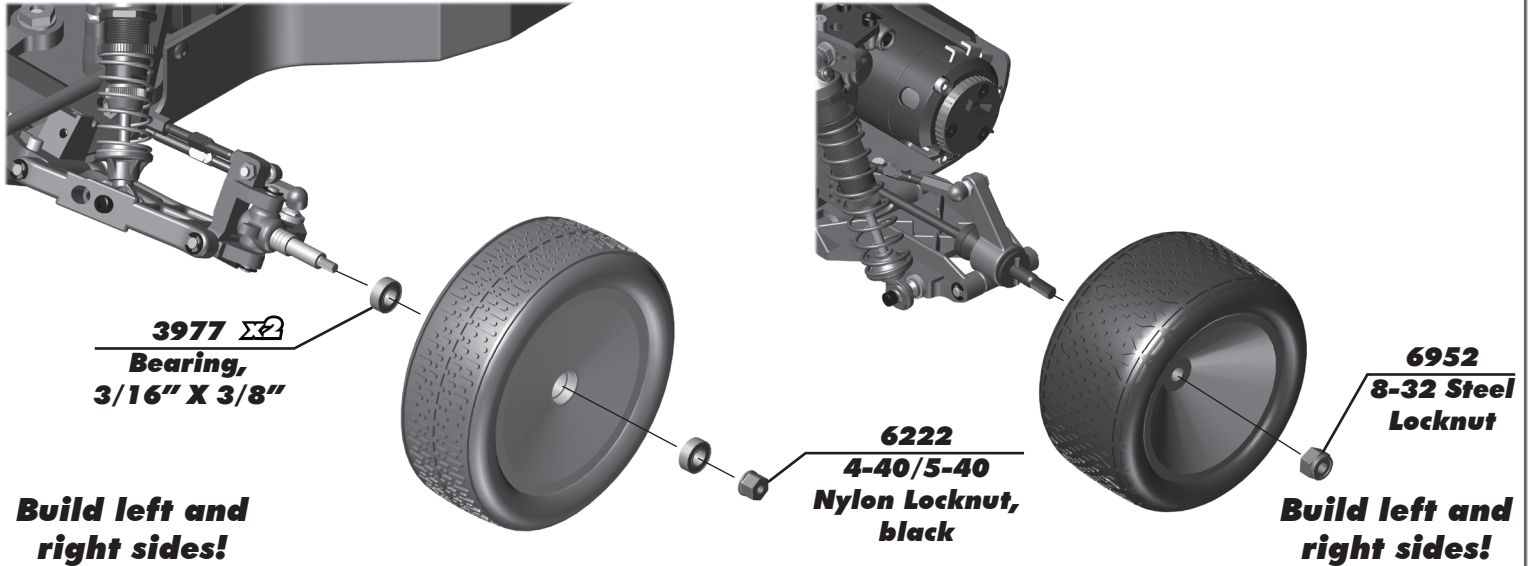


**Competition X**  
A WEB SITE FOR THE SERIOUS RACER

Once the tire is mounted to the wheel, carefully apply ca glue to the tire bead. Do one side at a time. Allow it to dry before gluing the other side!



**:: Wheels / Tires and Body - Bag J - Step 3**



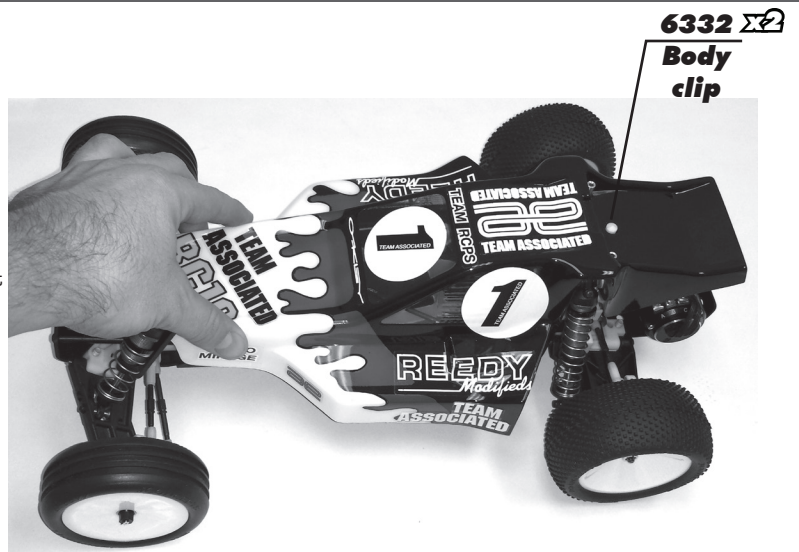
**:: Wheels / Tires and Body - Bag J - Step 4**

**Painting Tips:**

**Body and Wing:**  
Your RC10 Worlds Kit comes with a clear polycarbonate body and wing. You will need to prep the body and wing before you can paint them. Wash the inside thoroughly with warm water and liquid detergent. Dry the body and wing using a clean, soft, lint-free cloth. Install the window masks on the inside of the body. (RC cars get painted from the inside). Using high quality masking tape, apply tape to the inside of the body to create a design. Spray (either rattle can or airbrush R/C specific paint) the paint to the inside of the body (preferably dark colors first, lighter colors last).

**NOTE:** use ONLY paint that is recommended for use with [polycarbonate] plastics. If you do not, you can destroy the plastic body and wing!!!!).

After painting, cut the body and wing along the trim lines. Make sure to drill or use a body reamer to make the holes for the body mounts, wing mounts, and antenna!



**:: Wheels / Tires and Body - Bag J - Step 5**



**TIP:** Bending the wire as shown can help ensure the wing buttons are parallel.



**TIP:** Bend wire to create tight fit inside wing tubes.

## :: Tuning Tips

### Tips for Beginners:

Before making any changes to the standard setup, make sure you can get around the track without crashing. Changes to your vehicle will not be beneficial if you can't stay on the track. Your goal is consistent laps. Once you can get around the track consistently, start tuning your vehicle. Make only ONE adjustment at a time, testing it before making another change. If the result of your adjustment is a faster lap, mark the change on the included setup sheet (make additional copies of the sheet before writing on it). If your adjustment results in a slower lap, revert back to the previous setup and try another change. When you are satisfied with your vehicle, fill in the setup sheet thoroughly and file it away. Use this as a guide for future track days or conditions.

Periodically check all moving suspension parts. Suspension components must be kept clean and move freely without binding to prevent poor and/or inconsistent handling.

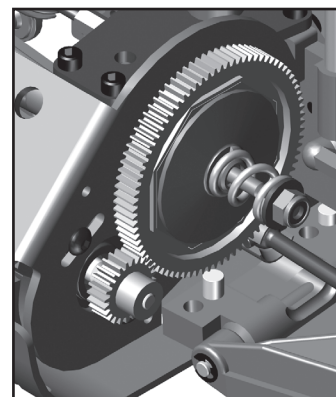
### Motor Gearing:

Proper motor gearing will result in maximum performance and run time while reducing the chance of overheating and premature motor failure. The gear ratio chart lists recommended starting gear ratios for the most widely used motor types. Gear ratios will vary depending upon motor brand, wind, and electronic speed control. Consult your motor and electronic speed control manufacturers for more information. Team Associated is not responsible for motor damage due to improper gearing. \* These gearings are for use with advanced timing speed control settings!

#### RC10WC Gear Ratio Chart (Internal Gear Ratio 2.25:1)

Motor	Pinion	Spur	FDR
27T Stock Brushed	20	81	9.11:1
19T Super Stock Brushed	19	81	9.59:1
17.5 Reedy Sonic Brushless *	21	81	8.68:1
17.5 Reedy Sonic Brushless	30	81	6.08:1
13.5 Reedy Sonic Brushless *	19	81	9.59:1
13.5 Reedy Sonic Brushless	28	81	6.51:1
10.5 Reedy Sonic Brushless	21	81	8.68:1
9.5 Reedy Sonic Brushless	20	81	9.11:1
8.5 Reedy Sonic Brushless	19	81	9.59:1

Due to the original design of the RC10, motors exceeding the power of a 8.5T motor are **NOT** recommended, to prevent damage to the drivetrain!



### Set The Gear Mesh:

You should be able to rock the spur gear back and forth in the teeth of the pinion gear without making the pinion gear move. If the spur gear mesh is tight, then loosen the #31531 screws and move the motor away, then try again. A gear mesh that is too tight or too loose will reduce power and damage the gear teeth.

### Slipper Clutch:

The assembly instructions give you a base setting for your clutch. Turn the nut on the shaft so that the end of the top shaft is even with the outside of the nut. Tighten the nut until the shaft extends thru the nut by 0.5mm. At the track, tighten or loosen the nut in 1/8 turn increments, until you hear a faint slipping sound for 1-2 feet on takeoffs.

Another popular way to set the clutch is to hold both rear tires firmly in place and apply short bursts of throttle. If the clutch is properly set, the front tires should lift slightly up off the surface.



**Competition X**  
A WEB SITE FOR THE SERIOUS RACER

### Wheelbase Adjustment:

The wheel base on the RC10WC can be adjusted by moving the rear arm mounts forward or backwards. The kit setting has the arm mount back which provides the most stability over bumps and rhythm sections. Going to the shorter wheelbase option will improve rear traction.

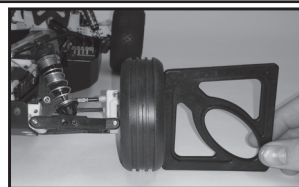
## :: Tuning Tips (cont.)

### Front Camber Links:

Changing the length of the camber link is considered a bigger step than adjusting the ball end height on the tower. Shortening the camber link will give the front end less roll and quicken steering response. Lengthening the camber link (or raising the ball end) will give the front more roll and slower steering response.

### Front Camber:

Camber describes the angle at which the tire and wheel rides when looked at from the front. Negative camber means that the tire leans inward at the top. A good starting camber setting is  $-1^\circ$ . Use the included # 1719 camber gauge to set your camber. Positive camber, where the top of the tire is leaning out, is not recommended.



\*Checking camber with camber gauge

### Caster:

Caster describes the angle of the kingpin as it leans toward the rear of the vehicle. Positive caster means the kingpin leans rearward at the top. The supplied  $30^\circ$  caster blocks (#6210) are recommended in most cases. For less corner entry steering and more exit steering, try the optional  $15^\circ$  caster blocks (#6213).

### Rear Camber Link:

Changing the length of the camber link is considered a bigger step than adjusting the ball end height on the rear chassis brace. Shortening the camber link (or lowering the ball end) will give the rear end less roll and the car will tend to accelerate or "square up" better. Lengthening the camber link (or raising the ball end) will give the rear more roll and more cornering grip. In order to run some of the very short link locations, a shorter turnbuckle will be required.



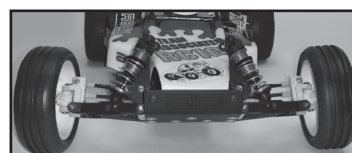
\*Raise or lower the ball end by adjusting the ballstud location on the bulkhead

### Rear Camber:

Camber describes the angle at which the tire and wheel rides when looked at from the back. Negative camber means that the tire leans inward at the top. A good starting camber setting is  $-1^\circ$ . Use the included # 1719 camber gauge to set your camber. Adding a small amount of positive camber, where the top of the tire is leaning out, will tend to improve straight-line acceleration on loose tracks.

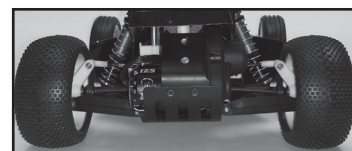
### Ride Height:

Ride height is the distance from the ground to the bottom of the chassis. The standard front ride height setting is with the front arms just below level or 24mm (Ride Height Gauge # 1449). Check the ride height by lifting up the entire car about 8-12 inches off the bench and drop it. After the suspension "settles" into place, measure ride height (Ride Height Gauge # 1449). Raise or lower the shock collars as necessary so that the left & right arms appear to be level.



\*Front arms should be just below level ride height

The rear ride height setting you should use most often is with the outdrive, driveshaft, and axles all on the same imaginary horizontal line (referred to as "bones level") or 24mm (Ride Height Gauge # 1449). Check the ride height by lifting up the entire car about 8-12 inches off the bench and drop it. After the suspension "settles" into place, measure ride height (Ride Height Gauge # 1449). Raise or lower the shock collars as necessary so that the left & right driveshafts appear to be level.



\*Dog bones should be in a straight line when ride height is set at "Bones level"



\*TIP: Set the rear dog bones level and then adjusting the front to make the chassis parallel to the ground.

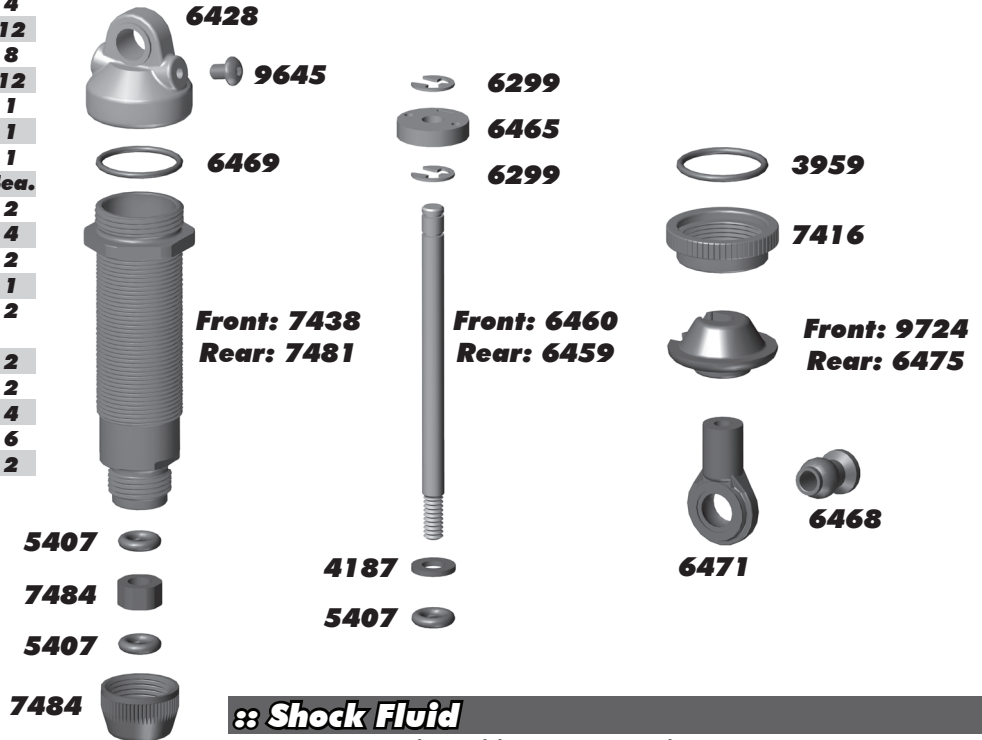
### Motor Maintenance:

Brushed motors require frequent maintenance to keep performance levels at their maximum. Between runs and after letting the motor cool completely, inspect the brushes to ensure that they are moving freely in their holders. Remove the springs and slide the brushes in and out of their holders checking for any resistance or rough spots. If found, remove the brush and carefully wipe it clean. Removing buildup will allow the brush to slide freely and create maximum contact with the commutator resulting in maximum power output. After every 3-5 runs, remove the brushes from their holders and inspect the tips for wear or burning. If there is noticeable wear (less than 75% of the brush remaining), it is best to cut the commutator and replace the brushes with a new pair. If the tips become a burned blue color, the lubricant in the brush has been burned away and new brushes should be installed. Occasionally, the motor should be cleaned with a soft brush to prevent dirt build up around the brush hood area and ball bearings. At this time, it is a good idea to add one drop of bushing / bearing oil to each bushing or ball bearing.

If using a brushless motor, please refer to the motor manufacturer's guidelines for proper maintenance.

**:: Shocks**

3959	Threaded Shock Collar O-Ring	4
4187	Nylon Spacer, 1/32" (.030)	12
5407	Red O-Rings	8
6299	1/8" E-Clips	12
6428	Shock End Cap, molded composite	1
6459	Shock Shaft, 1.02" stroke	1
6460	Shock Shaft, .71" stroke	1
6465	Shock Piston, (1, 2, 3)	4ea.
6468	RC10 Shock Rod Ends / Pivots	2
6469	Black O-Ring	4
6471	Rod End, .230 ball, for 2 shocks	2
6475	Shock Cups (4)	1
7416	FT Off Road Threaded Shock Collar with O-Rings, black	2
7438	FT V2 .71 Threaded Bodies	2
7481	FT V2 1.32 Threaded Bodies	2
7484	FT V2 1:10 Shock Rebuild	4
9645	2-56 x 1/8" BHCS	6
9724	Offset Spring Cup	2



**:: Springs**

1581	Factory Team Buggy Front Spring Kit. 1 pr of green, silver, blue, black springs	1
1582	Factory Team Truck/Buggy Rear Spring Kit. 1 pr of green, silver, blue, gold, red springs	1
6493	Front Buggy Spring Brown 2.80 lb	Pr.
6494	Front Buggy Spring Green 3.50 lb	Pr.
6496	Front Buggy Spring Silver 3.85 lb (Kit)	Pr.
6497	Front Buggy Spring Blue 4.20 lb	Pr.
8232	Front Buggy Spring Black 3.20 lb	Pr.
6478	Rear Spring Silver 2.10 lb (Kit)	Pr.
6480	Rear Spring Green 1.90 lb	Pr.
6481	Rear Spring Black 1.74 lb	Pr.
6482	Rear Spring Gray 2.33 lb	Pr.
7434	Rear Spring Blue 2.55 lb	Pr.
7435	Rear Spring Gold 2.75 lb	Pr.
7436	Rear Spring Red 2.95 lb	Pr.



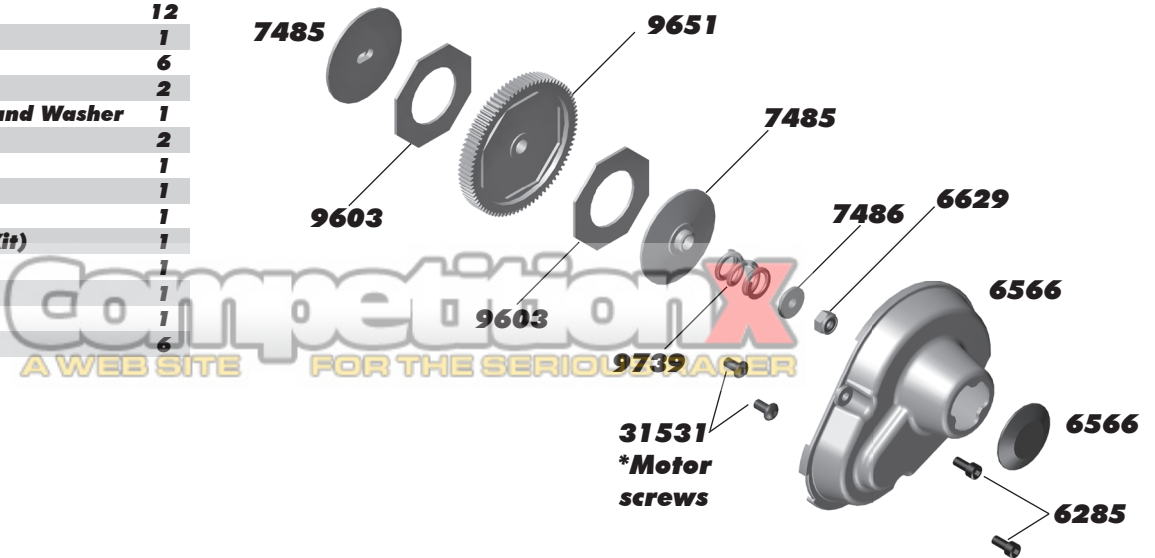
**:: Shock Fluid**

5420	10 Weight Silicone Shock Fluid	2oz.
5421	20 Weight Silicone Shock Fluid	2oz.
5422	30 Weight Silicone Shock Fluid	2oz.
5423	40 Weight Silicone Shock Fluid	2oz.
5424	22.5 Weight Silicone Shock Fluid	2oz.
5425	80 Weight Silicone Shock Fluid	2oz.
5426	27.5 Weight Silicone Shock Fluid	2oz.
5427	15 Weight Silicone Shock Fluid	2oz.
5428	25 Weight Silicone Shock Fluid	2oz.
5429	35 Weight Silicone Shock Fluid	2oz.
5430	45 Weight Silicone Shock Fluid	2oz.
5431	55 Weight Silicone Shock Fluid	2oz.
5432	32.5 Weight Silicone Shock Fluid	2oz.
5433	37.5 Weight Silicone Shock Fluid	2oz.
5434	42.5 Weight Silicone Shock Fluid	2oz.
5435	50 Weight Silicone Shock Fluid	2oz.
5436	60 Weight Silicone Shock Fluid	2oz.
5437	70 Weight Silicone Shock Fluid	2oz.
5438	47.5 Weight Silicone Shock Fluid	2oz.



**:: Slipper / Gear Cover**

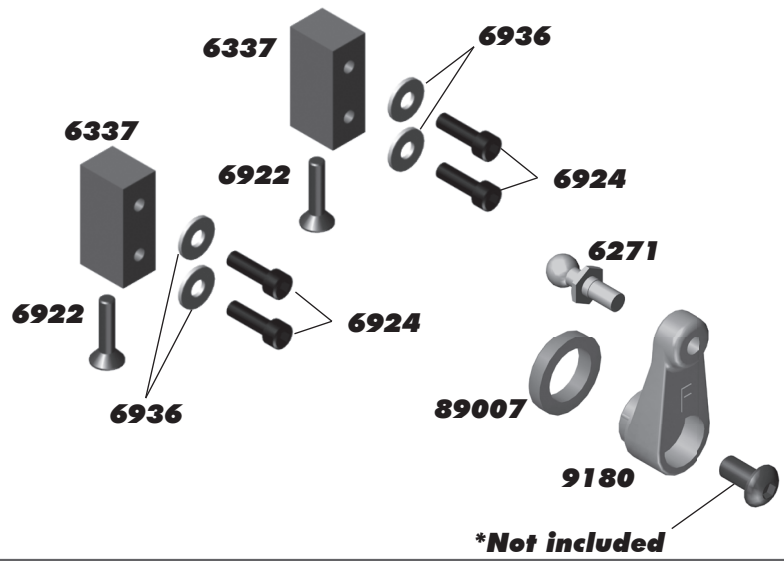
6285	4-40 x 1/4 SHCS	12
6566	RC10WC Gear Cover	1
6629	5-40 Diff Locknut	6
7485	FT V2 Slipper Hubs	2
7486	FT V2 Slipper Spring and Washer	1
9603	Slipper Pad	2
9648	69T 48P Spur Gear	1
9649	72T 48P Spur Gear	1
9650	75T 48P Spur Gear	1
9651	81T 48P Spur Gear (Kit)	1
9652	78T 48P Spur Gear	1
9653	84T 48P Spur Gear	1
9739	Slipper Spring	1
31531	M3 x 6 BHCS	6



**CompetitionX**  
A WEB SITE FOR THE SERIOUS RACER

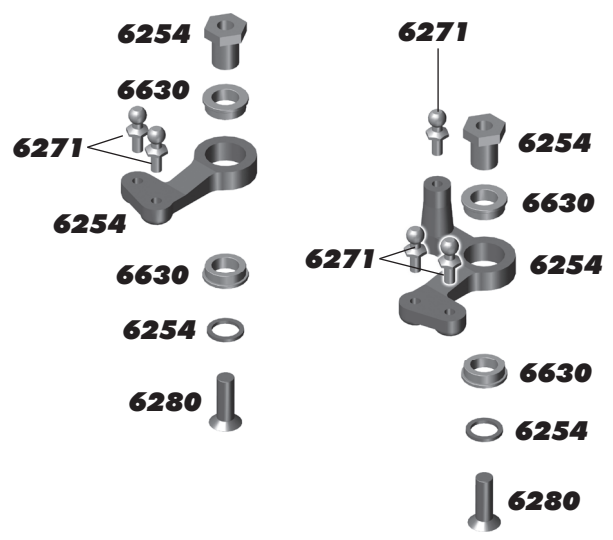
**:: Turnbuckles / Servo**

6260	Turnbuckle, 1.00"	2
6262	Turnbuckle, 1.65"	2
6263	Turnbuckle, 2.06"	2
6264	Turnbuckle, 1.375"	2
6271	Short Ballstud, stainless steel, short	12
6279	White Ball Cups	14
6337	RC10 Servo/Antenna Mount	1
6922	4-40 x 1/2" FHCS	6
6924	4-40 x 3/8" SHCS	6
6936	#4 Washer, Aluminum	10
9180	Servo Horns, Molded	1
89007	Steering Servo Horn Ring	1



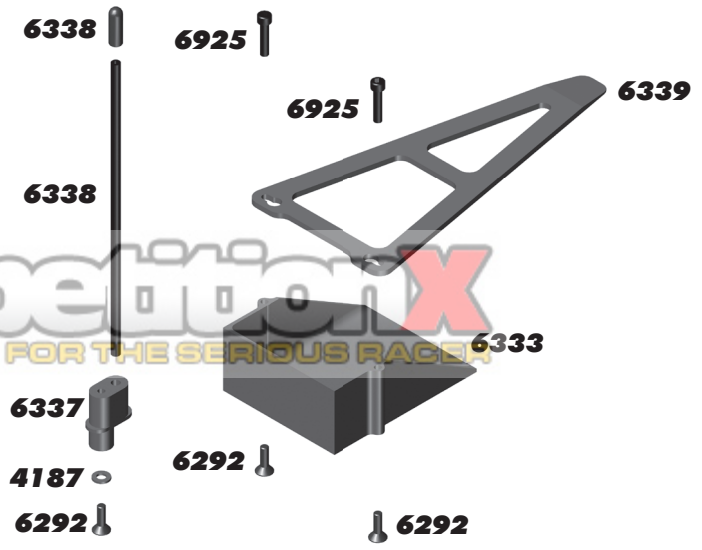
**:: Steering**

6254	RC10WC Bellcrank Set	1
6271	Short Ballstud, stainless steel, short	12
6280	8-32 x 1/2" Aluminum FHPS	16
6630	RC10 Oilite Bushing Set	1



**:: Antenna Mount / Battery Strap**

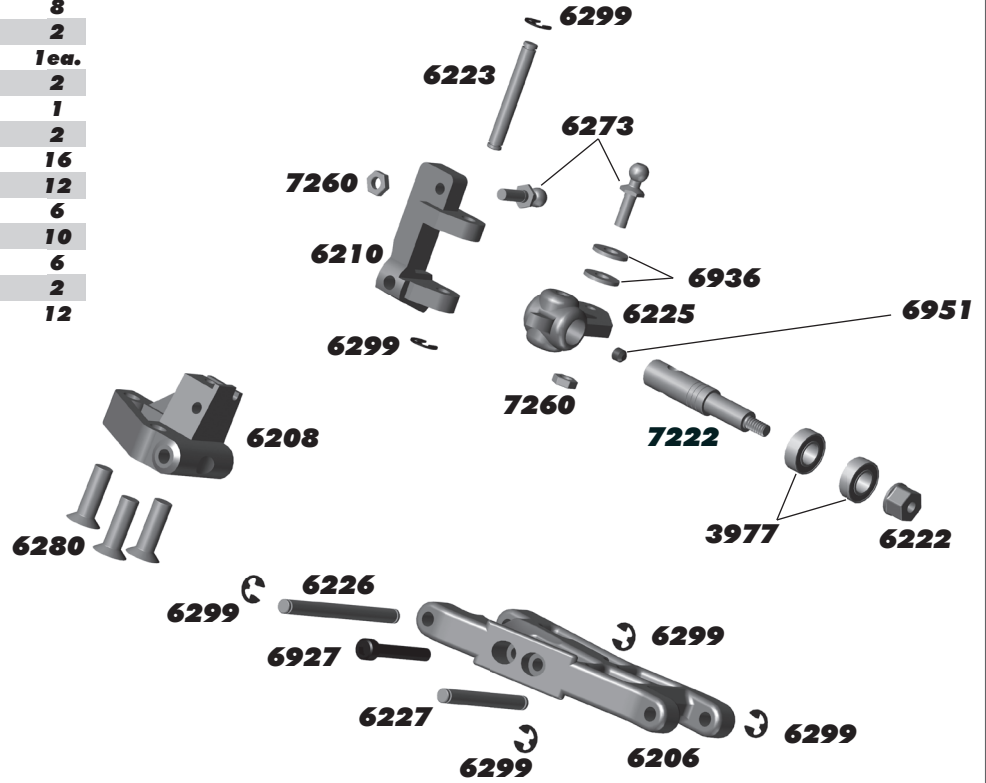
4187	Nylon Spacer, 1/32" (.030)	12
6292	4-40 x 3/8" FHCS	6
6333	RC10 Battery Cup	1
6337	RC10 Servo/Antenna Mounts	1
6338	Antenna Tube with Cap, black	1
6339	RC10WC Battery Strap	1
6925	4-40 X 1/2" SHCS	6



CompetitionX  
A WEB SITE FOR THE SERIOUS RACER

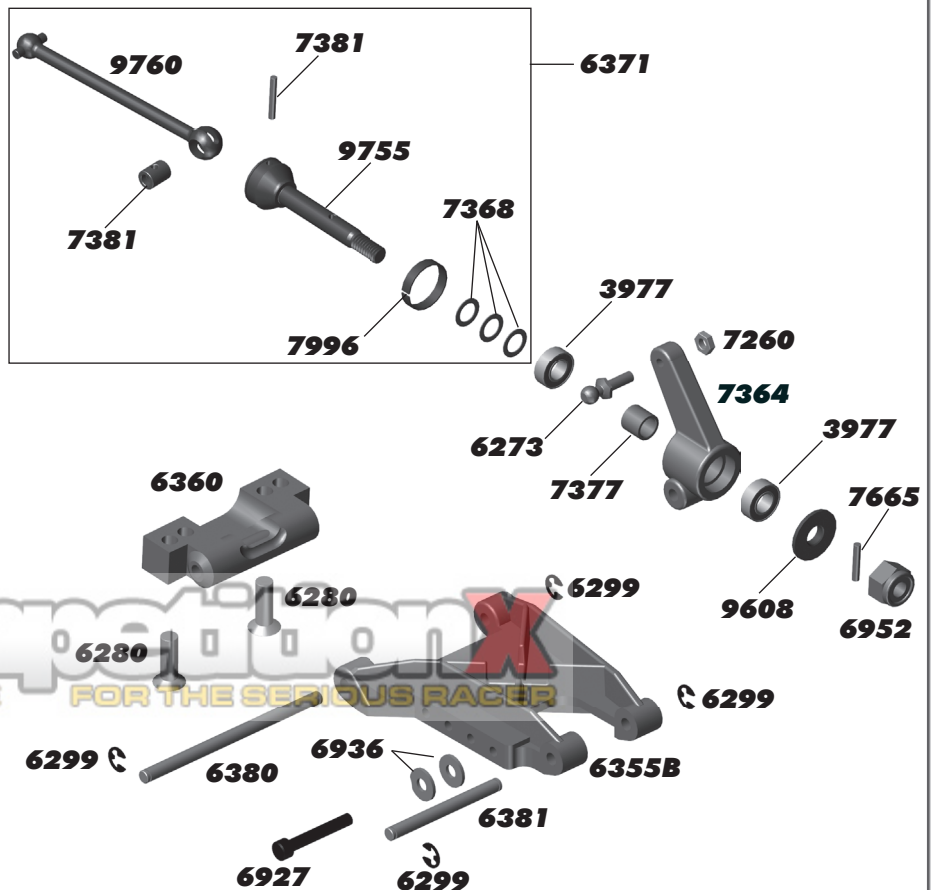
**:: Front Arm**

3977	Bearing, 3/16" X 3/8"	2
6206	Front Suspension Arm, wide, black	1ea.
6208	RC10 Front Arm Mounts	1ea.
6210	RC10 Front Caster Blocks, 30 deg	1ea.
6222	4-40/5-40 Nylon Locknut, black	8
6223	RC10 King Pin w/Clips	2
6225	RC10WC Inline Steering Block	1ea.
6226	RC10 Front Inner Hinge Pin	2
6227	Hinge Pin, outer, 1.020", w/ clips	1
6273	Long Ballstud, .17 Ball Stud	2
6280	8-32 x 1/2" Aluminum FHPS	16
6299	E-Clip, 1/8"	12
6927	4-40 X 3/4" SHCS	6
6936	#4 Washer, aluminum	10
6951	4-40 X 1/8" Socket Set Screws	6
7222	Wide Front Axle	2
7260	4-40 Small Pattern Plain Nut	12



**:: Rear Arm**

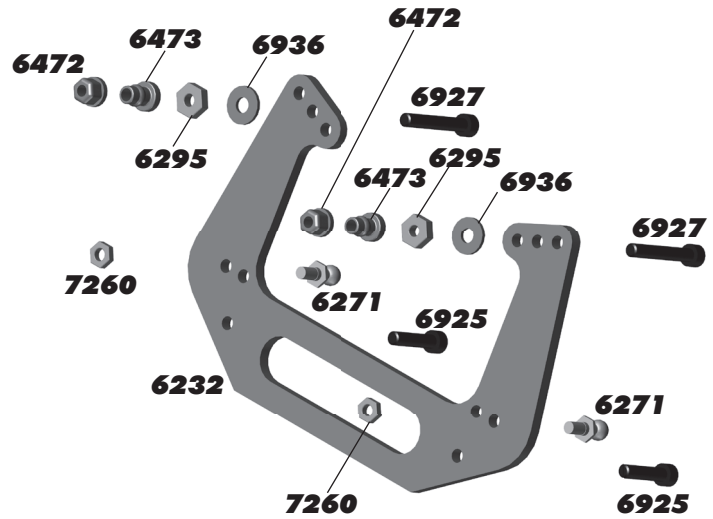
3977	Bearing, 3/16" X 3/8"	2
6273	Long Ballstud, .30 Ball Stud	2
6280	8-32 x 1/2" Aluminum FHPS	16
6299	E-Clip, 1/8"	12
6355B	RC10WC Rear Arms, black	1ea.
6360	RC10 Rear Arm Mounts	1ea.
6371	RC10 CVA Set, 3/16" axle	2
6380	RC10 Rear Inner Hinge Pins	2
6381	Hinge Pin, Rear, Outer	2
6927	4-40 x 3/4" SHCS	6
6936	#4 Washer, aluminum	10
6952	8-32 Locknut, Steel	6
7260	4-40 Small Pattern Plain Nut	12
7364	RC10WC 0 degree Rear Hubs	1ea.
7368	Rear Axle Shims, 3/16 X .010"	14
7377	Rear Axle Bearing Spacer, aluminum	2
7381	MIP CVD/Uni-Drive Rebuild Kit	1
7665	Drive Shaft Roll Pin	6
7996	FT Pin Retainer	2
9608	Rear Wheel Spacer, blue aluminum	2
9755	CVA Axle, rear	2
9760	Center Bone, rear	1



**Competition X**  
A WEB SITE FOR THE SERIOUS RACER

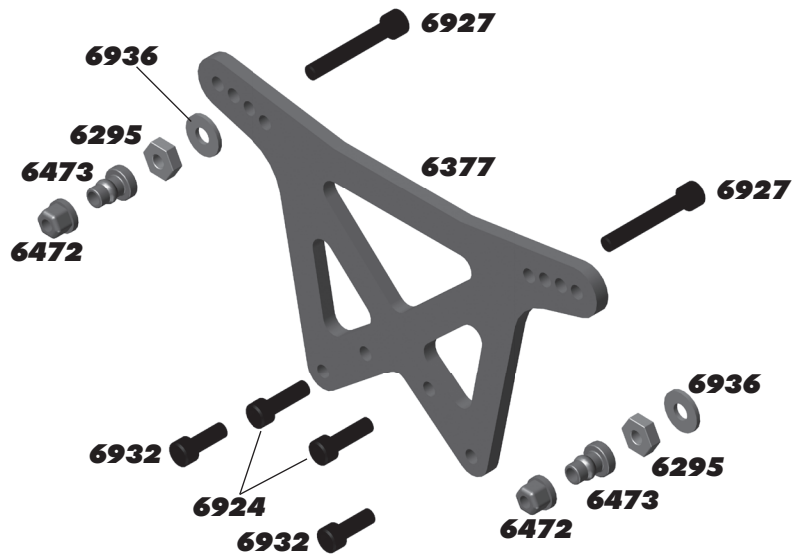
**:: Front Shock Tower**

6232	RC10WC Front Shock Tower	1
6271	Short Ballstud, Stainless Steel, .20	12
6295	4-40 Nuts	6ea.
6472	Plastic Nut	4
6473	Shock Bushing	4
6925	4-40 x 1/2" SHCS	6
6927	4-40 x 3/4" SHCS	6
6936	#4 Washer, Aluminum	10
7260	4-40 Small Pattern Plain Nut	12



**:: Rear Shock Tower**

6295	4-40 Nuts	6ea.
6377	RC10WC Rear Shock Tower	1
6472	Plastic Nut	4
6473	Shock Bushing	4
6924	4-40 x 3/8" SHCS	6
6927	4-40 x 3/4" SHCS	6
6932	4-40 x 5/16" SHCS	6
6936	#4 Washer, Aluminum	10



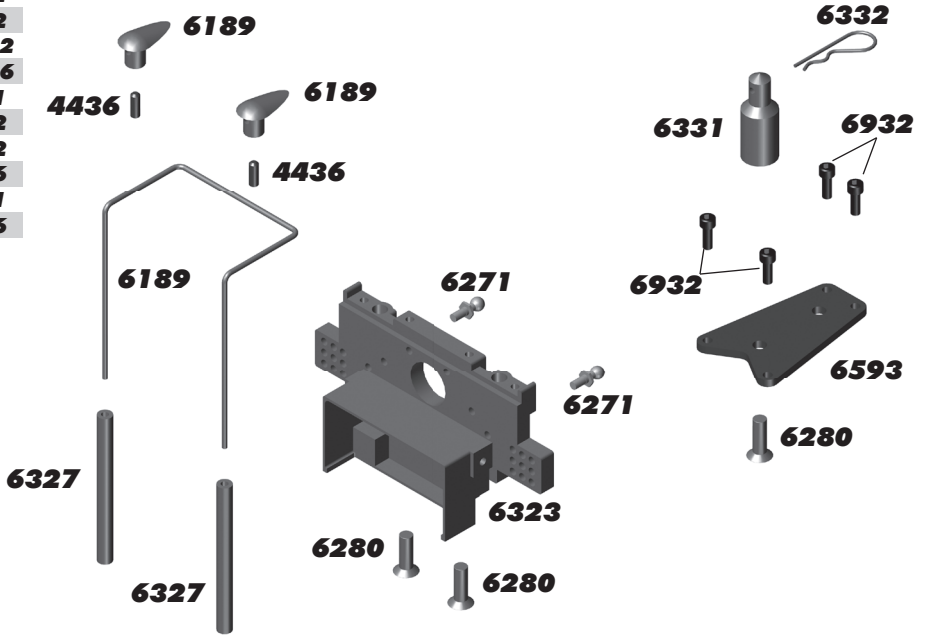
**:: Wheels / Tires**

6805W	RC10 2.2" Rear Wheel, White	2
6805Y	RC10 2.2" Rear Wheel, Yellow	2
9588	Front Wheel, 2.2", White	2
9688	Front Wheel, 2.2", Yellow	2



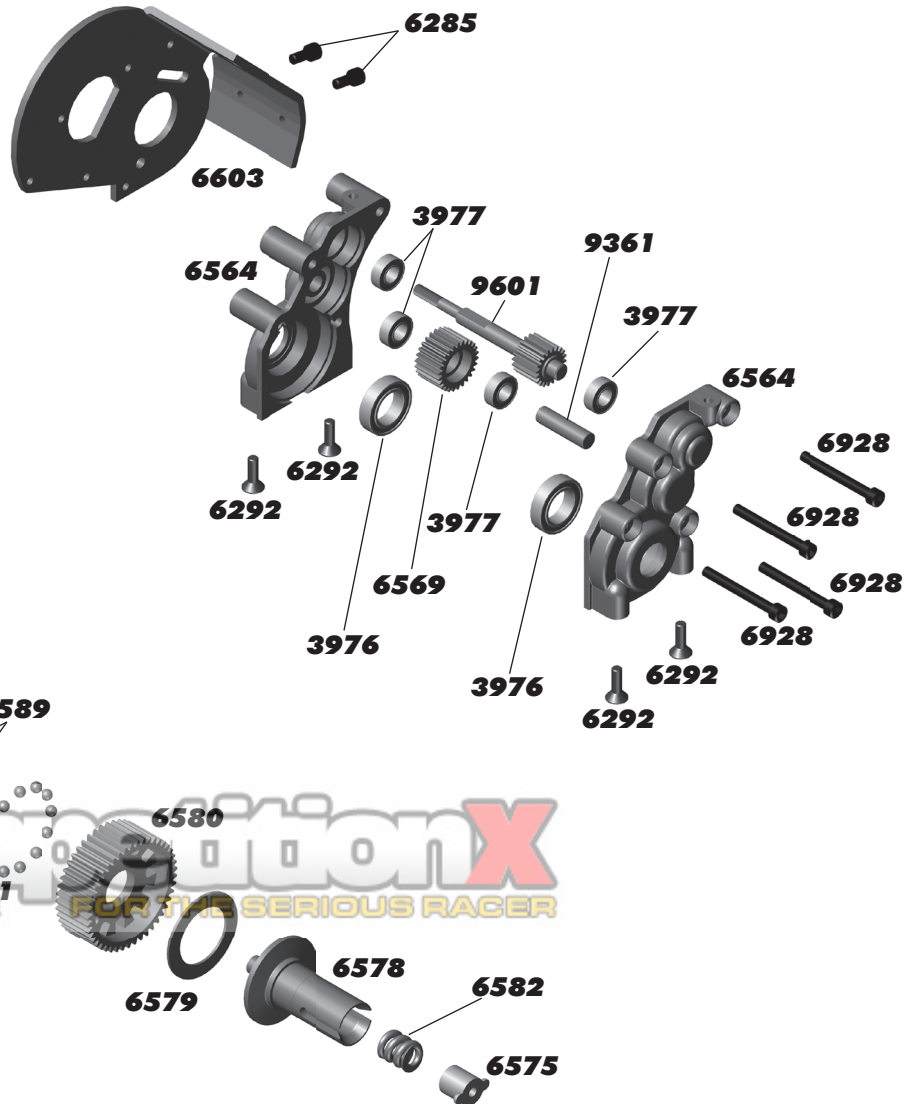
**:: Rear Bulkhead**

4436	Set Screw, 4-40 x 5/16"	4
6189	RC10WC Wing Mounts (White) and wire	2
6271	Short Ballstud, Stainless Steel, .20	12
6280	8-32 x 1/2" Aluminum FHPS	16
6323	RC10 Rear Bulkhead	1
6327	RC10 Wing Tubes	2
6331	RC10 Body Mounts (White)	2
6332	Body Clips	6
6593	RC10WC Transmission Brace	1
6932	4-40 x 5 16" SHCS	6



**:: Transmission / Ball Diff**

3976	Bearing, 3/8" X 5/8"	2
3977	Bearing, 3/16" X 3/8"	2
6285	4-40 x 1/4 SHCS	12
6292	4-40 X 3/8" FHCS	6
6564	RC10WC Transmission Case, L & R	1
6569	RC10WC Idler Gear	1
6573	Diff Thrust Screw and Washers (2)	1
6574	Precision Diff Thrust Ball, 5/64"	6
6575	Diff Thrust Bolt Parts	1
6577	Diff Outdrive Hub (R)	1
6578	Diff Outdrive Hub (L)	1
6579	Associated Diff Drive Ring	2
6580	Diff Gear (45 tooth) for 2.25 trans.	1
6581	Carbide Diff Ball, large, 3/32"	14
6582	Diff Thrust Spring	1
6589	Bearing, 5/32 x 5/16, unflanged	2
6603	RC10 Motor Plate, (Black)	1
6928	4-40 x 1" SHCS	6
9361	Idler Gear Shaft	1
9601	Top Shaft	1

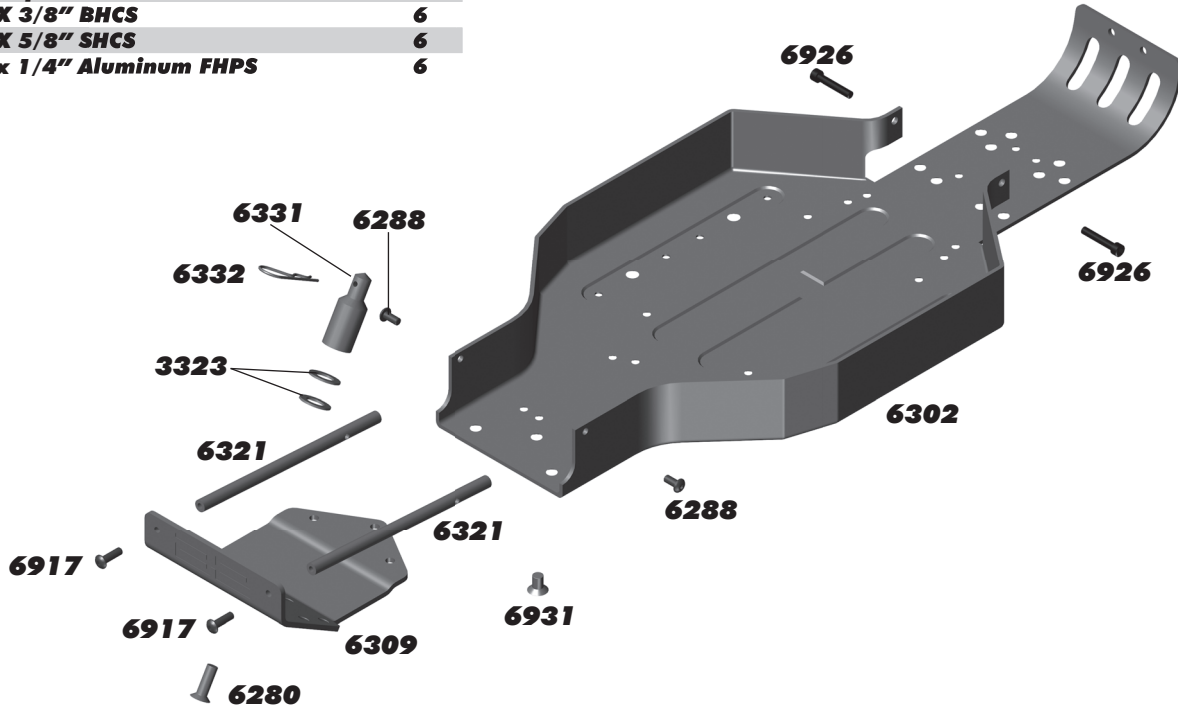


**CompetitionX**  
A WEB SITE FOR THE SERIOUS RACER



**:: Chassis**

3323	#8 Aluminum Thick Washer	12
6280	8-32 x 1/2" Aluminum FHPS	12
6288	4-40 X 1/4" BHCS	6
6302	RC10WC Chassis, Black	1
6309	RC10WC Front Nose Plate, Black	1
6321	RC10WC Nose Brace Tubes, Black	2
6331	RC10 Body Mounts (White)	2
6332	Body Clips	6
6917	4-40 X 3/8" BHCS	6
6926	4-40 X 5/8" SHCS	6
6931	8-32 x 1/4" Aluminum FHPS	6



**:: Lubes & Adhesives / Decals / Misc.**

1105	FT Green Slime Shock Lube	1
1596	FT Locking Adhesive	1
1597	FT Tire Adhesive, medium	1
6588	Black Grease - 4cc	1
6591	S.Diff Lube - 4cc	1
6636	Silicone Grease - 4cc	1
6727	Servo Tape	2
716	Reedy 2009 Sticker Set	1
3816	American Bumper Sticker	1
3820	AE Logo Decal Sheet	1
3834	AE Blue Embossed Logo Sticker	2
9787	FT Chassis Protective Sheet	1



**:: XP Electronics**

29107	XP DS1903/S1903 Metal Gear Set	1
29133	XP DS1903 Digital Servo	1
29134	XP DS1903MG Digital Servo	1
29138	XP SC500-BL Brushless ESC	1
29139	XP SC900-BL Brushless ESC	1
29140	XP SC200 Brushed ESC	1
29141	XP SC450 Brushless ESC	1
29142	XP ESC Fan Option	1
29143	XP SC700-BL Brushless ESC	1
29144	XP SC1200-BL Brushless ESC	1
29145	XP SC1300-BL Brushless ESC	1
29146	XP SC1300DB Brushless ESC	1
29166	XP DS1313 Digital Servo	1
29167	XP DS1015 Digital Servo	1
29168	XP DS1510MG Digital Servo	1
29209	Gear Set, DS1313	1
29210	Gear Set, DS1015	1
29211	Servo Case, DS1313/DS1015	1
29212	Accessory Pack, DS1313/DS1015	1
29214	TRS403-SSi 2.4GHz 4Ch Receiver	1
29215	XP2G 2.4GHz Radio System	1
29216	XP3G 2.4GHz Radio System	1
29250	XP DS1505 Digital Servo	1
29251	XP DS1505MG Digital Servo	1
29252	XP DS1505 Metal Gear Set	1
29253	XP DS1510 Metal Gear Set	1
29254	XPSSi Receiver Antenna	1

**:: Body, Wing, and Decals**

6121	Viper Buggy Body, clear	1
6160	Protech Buggy Body, clear	1
6162	Turbo Mirage Buggy Body, clear - Kit	1
6180	RC10 Driver Figure, clear	1
6181	High Downforce Wing Kit, w/wire and buttons	1
6182	High Downforce Wing, 5 1/2"	1
6183	High Downforce Wing, 7"	1
6186	Large Wing	1
6187	RC10 Wing Kit	1
6189	RC10WC Wing Mount Kit, (tear drop mounts, black)	1
6190	Wing Mounts, (tear drop mounts, black)	2
6191	Wing Mount Kit, (diamond mounts, white)	1
6192	RC10 Accessories (Wheel Knock Offs, Headlights)	1
6193	Wing Mounts, Aluminum	2
6193B	FT Wing Mounts, Aluminum (blue)	2
6866	RC10 Classic Decal Sheet	1
6867	RC10 Worlds Car Decal Sheet	1

**:: Factory Team and Option Parts**

897	Bearing, 1/4 X 3/8, flanged	2
1401	FT Titanium Turnbuckle, 1.30", blue	2
1402	FT Blue Titanium Turnbuckle, 1.375"	2
1403	FT Titanium Turnbuckle, 1.65", blue	2
1405	FT Titanium Turnbuckle, 1.875", blue	2
1409	FT Titanium Turnbuckles, 1.00", blue	2
1736	FT Body Clips, Metallic Blue, Short	6
1779	FT Servo Mount, Blue Aluminum	2
4449	4-40 Aluminum Locknut, small pattern	5
6210	Front Block Carrier, 30° Caster	2
6220	Aluminum Front Inline Axle	2
6221	Inline Steering Block	2
6222	4-40/5-40 Nylon Locknut, black	8
6241	RC10 Front End Screw Set	1
6242	4-40 Steel Locknut	6
6259	Turnbuckle Tie Rod Set, black	1
6260	Turnbuckle, 1.00", black	2
6261	Turnbuckle, 1.25", black	2
6262	Turnbuckle, 1.65", black	2
6263	Turnbuckle, 2.06", black	2
6264	Turnbuckle, 1.375", black	2
6270	Short Ballstud, .20, Stainless Steel, short	2
6271	Short Ballstud Set, Stainless Steel, short	12
6272	Ballstud Dust Cover, foam	28
6273	Long Ballstud, .30, silver	2
6274	Ball Cup, molded	14
6325	Transmission Brace, black	1
6366	Rear Hub Carrier, 1.5° toe-in (per side), black	2
6390	Rear Wheel Knockoffs, (2 prong) white	4
6416	FT Gold Shock Shaft, 1.32" stroke	1
6418	FT Gold shock shaft, .71" Stroke	1
6431	Shock Kit, hard anodized, 1.32"	2
6435	Rear Shock Body, hard anodized, 1.32"	1
6443	Bleeder Shock Cap, 1:10.	4
6463	1:10 Blank Shock Pistons	8
6465	Shock Piston, PTFE (1, 2, 3)	4ea
6473	Shock Bushing	4
6565	RC10 Stealth Transmission Case, L & R	1
6619	FT 1/8" Carbide Diff Balls	8
6910	FT Blue Aluminum Screw Kit, RC10	1
6937	FT 4-40 Aluminum Locknut, Blue Anodized	6
6943	FT 8-32 Blue Aluminum Locknut	6
8253	16T 48P Pinion Gear	1
8254	17T 48P Pinion Gear	1
8255	18T 48P Pinion Gear	1
8256	19T 48P Pinion Gear	1
8257	20T 48P Pinion Gear	1
8258	21T 48P Pinion Gear	1
8259	22T 48P Pinion Gear	1
8260	23T 48P Pinion Gear	1
8261	24T 48P Pinion Gear	1
8263	26T 48P Pinion Gear	1
8264	27T 48P Pinion Gear	1
8265	28T 48P Pinion Gear	1
8266	29T 48P Pinion Gear	1
8267	30T 48P Pinion Gear	1
8268	31T 48P Pinion Gear	1
8269	32T 48P Pinion Gear	1
8270	33T 48P Pinion Gear	1
8271	34T 48P Pinion Gear	1
8272	35T 48P Pinion Gear	1
9310	Front Shock Body, .89" stroke	1

**:: Reedy Motors and ESC's**

228	Sonic 540 Mach 2 25.5 Competition Brushless Motor	1
231	Sonic 540 Mach 2 21.5 Competition Brushless Motor	1
232	Sonic 540 Mach 2 17.5 Competition Brushless Motor	1
233	Sonic 540 Mach 2 13.5 Competition Brushless Motor	1
233S	Sonic 540/540 Mach 2 Stator 13.5	1
234	Sonic 540 Mach 2 10.5 Competition Brushless Motor	1
235	Sonic 540 Mach 2 9.5 Competition Brushless Motor	1
236	Sonic 540 Mach 2 8.5 Competition Brushless Motor	1
237	Sonic 540 Mach 2 8.0 Competition Brushless Motor	1
238	Sonic 540 Mach 2 7.5 Competition Brushless Motor	1
239	Sonic 540 Mach 2 7.0 Competition Brushless Motor	1
240	Sonic 540 Mach 2 6.5 Competition Brushless Motor	1
241	Sonic 540 Mach 2 6.0 Competition Brushless Motor	1
242	Sonic 540 Mach 2 5.5 Competition Brushless Motor	1
243	Sonic 540 Mach 2 5.0 Competition Brushless Motor	1
244	Sonic 540 Mach 2 4.5 Competition Brushless Motor	1
245	Sonic 540 Mach 2 4.0 Competition Brushless Motor	1
246	Sonic 540 Mach 2 3.5 Competition Brushless Motor	1
247	Sonic 540 Mach 2 Sensor w/bearing	1
248	Sonic 540 Mach 2 Steel Bearing Set	1
249	Sonic 540 Mach 2 Ceramic Bearing Set	1
250	Sonic 540 Mach 2 Insulator Set	1
941S	Sonic 540/540 Mach 2 Stator 17.5	1
954	Sonic 540 Stock Rotor 12.3 x 24.2 (7.25)	1
955	Sonic 540 Stock Rotor 12.3 x 25.0 (7.25)	1
956	Sonic 540 Stock Rotor 12.5 x 25.0 (7.25)	1
957	Sonic 540 Modified Rotor 12.2 x 25.0 (5.0)	1
958	Sonic 540 Modified Rotor 12.5 x 25.0 (5.0)	1
962	Sonic 540/540 Mach 2 Case Screws (3 pcs.)	1
965	Reedy 540-SL 3300kV/XP SC700-BL ESC Combo	1
966	Reedy 540-SL 3900kV/XP SC700-BL ESC Combo	1
967	Reedy 540-SL 4900kV/XP SC700-BL ESC Combo	1
978	Flat Sensor Wire 70mm	1
979	Flat Sensor Wire 110mm	1
980	Flat Sensor Wire 150mm	1
981	Flat Sensor Wire 200mm	1
982	Flat Sensor Wire 270mm	1
983	Reedy 540-SL 3300kV/XP SC1200-BL ESC Combo	1
984	Reedy 540-SL 3900kV/XP SC1200-BL ESC Combo	1
985	Reedy 540-SL 4900kV/XP SC1200-BL ESC Combo	1
986	Reedy 540-SL 6100kV/XP SC1200-BL ESC Combo	1
987	Sonic 540 Modified Rotor 13.0 x 25.0 (5.0)	1

**:: Reedy Batteries**

302	AA Alkaline 1.5V (4)	1
309	LiPo 65C 7000mAh 7.4V	1
313	LiPo 65C 7000mAh 7.4V 5mm	1
602	LiPo 65C 4100mAh 7.4V Shorty	1
637	LiPo TX Battery - M11X 2500mAh 7.4V	1
681	Wolfpack 2400mAh 7.2V w/DEANS® connector	1
682	Wolfpack 3000mAh 7.2V w/DEANS® connector	1
683	Wolfpack 3600mAh 7.2V w/DEANS® connector	1
684	Wolfpack 4200mAh 7.2V w/DEANS® connector	1
693	Wolfpack 2400mAh 7.2V w/TAM connector	1
694	Wolfpack 3000mAh 7.2V w/TAM connector	1
695	Wolfpack 3600mAh 7.2V w/TAM connector	1
700	Wolfpack 4200mAh 7.2V w/TAM connector	1
730	Wolfpack LiPo 3000mAh 7.4V 25C w/DEANS®	1
731	Wolfpack LiPo 3300mAh 7.4V 35C w/DEANS®	1
732	Wolfpack LiPo 3400mAh 7.4V 35C w/DEANS®	1
734	Wolfpack LiPo 6500mAh 7.4V 25C w/DEANS®	1
736	Wolfpack LiPo 5000mAh 7.4V 25C	1
738	Wolfpack LiPo 3800mAh 7.4V 25C Shorty	1
739	Wolfpack LiPo 5500mAh 7.4V 60C	1

**:: Reedy Accessories**

247	Sonic 540 Mach 2 Sensor w/bearing	1
248	Sonic 540 Mach 2 Steel Bearing Set	1
249	Sonic 540 Mach 2 Ceramic Bearing Set	1
250	Sonic 540 Mach 2 Insulator Set	1
604	526-S AC/DC 2S-6S LiPo/LiFe Charger	1
606	Charge Harness 2S Saddle Pack 4mm	1
607	Charge Harness 2S Standard Pack 4mm	1
609	TAM to DEANS® charge adapter	1
610	447-S AC/DC NiMH Peak Charger	1
643	Low-Profile Bullet Connector, 4mm x 14mm (2)	1
644	Low-Profile Bullet Connector, 4mm x 14mm (10)	1
645	Low-Profile Bullet Connector, 5mm x 14mm (2)	1
646	Low-Profile Bullet Connector, 5mm x 14mm (10)	1
647	Pro Silicone Wire, 12AWG Black	1
648	Pro Silicone Wire, 14AWG Black	1
649	Silicone Wire 16AWG-Black (1m)	1
650	Shrink Tubing (Yellow, Orange, Red, Blue, Black)	3ea.
654	4.0mm Bullet Plugs (2M, 2F)	1
655	4.0mm Bullet Plugs (2M, 10F)	1
656	4.0mm Bullet Plugs (10F)	1
657	4.0mm Bullet Plugs (100F)	1
658	4.0mm Bullet Plugs (10M)	1
659	4.0mm Bullet Plugs (30M)	1
660	3.5mm Bullet Plugs (3M, 3F)	1
661	3.5mm Bullet Plugs (10F)	1
663	3.5mm Bullet Plugs (10M)	1
664	3.5mm Bullet Plugs (30M)	1
669	5mm Bullet Connector	2
716	Reedy 09 Decal Set	1
961	Sonic 540/550 Timing Cap with Screws	1
962	Sonic 540 Case Screws	3
974	540-SL/550-SL Steel Bearing Set	1
975	540-SL/550-SL Ceramic Bearing Set	1
978	Flat Sensor Wire 70mm	1
979	Flat Sensor Wire 110mm	1
980	Flat Sensor Wire 150mm	1
981	Flat Sensor Wire 200mm	1
982	Flat Sensor Wire 270mm	1
992	Sonic 540 Rotor Spacers	1

**:: Qualifier Series Vehicles**

7052	Pro Lite 4x4 RTR, 1/10 Scale (ready-to-run)	1
20111	Rival Mini Monster Truck 1/18 Scale (ready-to-run)	1
20119	APEX Mini Touring RTR	1
20510	RIVAL Electric Monster Truck RTR, 1/8 Scale (ready-to-run)	1
30112	APEX Touring V-Type, 1/10 Scale (ready-to-run)	1

**:: 1/18 Kits and RTR's**

20103	RC18B2 - RC18T2 Team Kit	1
20121	SC18 RTR Brushless (ready-to-run)	1

**:: 1/12, 1/10 Kits and RTR's**

4020	RC12R5.2 Factory Team Kit	1
6002	RC10 Worlds Car Kit	1
7025	RC10T4.2 Factory Team Kit	1
7028C	SC10 Pro Comp RTR (ready-to-run) Combo	1
7030	SC10 KMC Wheels Race Truck RTR (ready-to-run)	1
7030C	SC10 KMC Wheels RTR (ready-to-run) Combo	1
7038	SC10.2 Factory Team Kit	1
7039	RC10T4.2 RS RTR 2.4GHz Brushless (ready-to-run)	1
7046	SC10 RS RTR, Lucas Oil (ready-to-run)	1
7049	SC10 RS RTR, Rockstar/Makita (ready-to-run)	1
7050	SC10 RS RTR, Hart and Huntington (ready-to-run)	1
7051	SC10 RS RTR, Lucas Slick Mist® Body	1
7054	SC10 RS RTR, Toyota Racing/TRD	1
7055	SC10 RS RTR, Monster Energy Toyota	1
7093	SC10GT RTR (ready-to-run)	1
8020	RC10R5 Factory Team Kit	1
9041	RC10B4.2 Factory Team Kit	1
9042	RC10B4.2 RS RTR 2.4GHz Brushless (ready-to-run)	1
9050	SC10B RS RTR (ready-to-run)	1
9062	RC10B44.2 Factory Team 4WD Buggy Kit	1
30101	TC4 Club Racer 4WD Touring Car Race Roller	1
30109	RC10TC6.2 Factory Team 4WD Touring Car Kit	1
90001	RC10B5 Team Kit	1
90003	RC10B5M Team Kit	1
90008	Limited Edition SC10 4x4 RTR Monster Energy	1
90010	SC10 4x4 Factory Team Kit	1

**:: 1/8 Kits and RTR's**

20501	MGT 4.60 SE RTR (ready-to-run)	1
20502	MGT 8.0 Nitro RTR (ready-to-run)	1
20503	Limited Edition MGT 4.60 Nitro RTR, w/flag body (ready-to-run)	1
20504	Limited Edition MGT 8.0 Nitro RTR, w/flag body (ready-to-run)	1
80906	RC8.2 Nitro Buggy Factory Team Kit	1
80907	RC8.2e Electric Buggy Factory Team Kit	1
80908	RC8.2e Electric Buggy RTR (ready-to-run)	1
80909	RC8.2RS Nitro Buggy RTR (ready-to-run)	1
80912	RC8T Championship Edition	1
80933	SC8.2e Short Course Race Truck, Rockstar/Makita Electric RTR (ready-to-run)	1
80934	SC8.2e Short Course Race Truck, Slick Mist Electric RTR (ready-to-run)	1

**:: Tools**

1111	FT Turnbuckle Wrench	1
1113	12mm Big Bore Shock Tool	1
1449	FT Off Road Ride Height Gauge	1
1541	FT Hex Driver Set, (7 pcs)	1
1542	FT .050" Silver Hex Driver	1
1543	FT 1/16" Black Hex Driver	1
1544	FT 1.5mm Purple Hex Driver	1
1545	FT 5/64" Blue Hex Driver	1
1546	FT 3/32" Gold Hex Driver	1
1547	FT 2.5mm Green Hex Driver	1
1548	FT 3mm Red Hex Driver	1
1553	FT Phillips Silver Screwdriver	1
1554	FT Silver Spring Hook Tool	1
1561	FT Nut Driver Set, (6 pcs)	1
1562	FT 3/16" Black Nut Driver	1
1563	FT 1/4" Red Nut Driver	1
1564	FT 5.5mm Red Nut Driver	1
1565	FT 11/32" Green Nut Driver	1
1567	FT 8mm Gold Nut Driver	1
1589	FT 5/64" Blue Ball Hex Driver	1
1590	FT 3/32" Gold Ball Hex Driver	1
1592	FT Ball Hex Driver Set, (3 pcs)	1
1655	FT 8-Piece 1/4" Hex Drive Set	1
1656	FT 1/4" Hex Drive Handle, without tips	1
1657	FT 1/4" Hex Drive .050" Tip	1
1658	FT 1/4" Hex Drive 1/16" Tip	1
1659	FT 1/4" Hex Drive 5/64" - 2.0mm Tip	1
1660	FT 1/4" Hex Drive 3/32" Tip	1
1661	FT 1/4" Hex Drive 1.5mm Tip	1
1662	FT 1/4" Hex Drive 2.5mm Tip	1
1663	FT 1/4" Hex Drive 3/16" Nut Driver Tip	1
1664	FT 1/4" Hex Drive 1/4" Nut Driver Tip	1
1665	FT 1/4" Hex Drive 11/32" Nut Driver Tip	1
1666	FT 1/4" Hex Drive 5.5mm Nut Driver Tip	1
1667	FT 1/4" Hex Drive 7.0mm Nut Driver Tip	1
1668	FT 1/4" Hex Drive 8.0mm Nut Driver Tip	1
1669	FT 1/4" Hex Drive 5/64" - 2.0mm Ball End Tip	1
1670	FT 1/4" Hex Drive 3/32" Ball End Tip	1
1671	FT 1/4" Hex Drive Standard Screwdriver Tip	1
1672	FT 1/4" Hex Drive Phillips Screwdriver Tip	1
1673	FT 1/4" Hex Drive 2.5mm Ball End Tip	1
1674	FT 1/4" 5 Piece Power Tool Tips Set (5/64"-2.0mm, 1.5mm, 2.5mm, 5/64"- 2.0mm ball, 2.5mm ball)	1
1719	FT Camber + Track Width Tool	1
1737	FT Body Scissors	1
3718	12 Inch Nylon Wire Ties	12
3719	6 Inch Nylon Wire Ties	12
3720	8 Inch Nylon Wire Ties	12
6956	Molded Tools, Set	1
7494	V2 Stamped Multi-tool	1
7709	4 Inch Nylon Wire Ties	12

**:: RePlay Cameras**

RP001	Replay XD1080 Complete Camera System	1
RP002	Replay XD720 Complete Camera System	1
RP021	Replay XD1080 Lens Bezel Kit	1
RP022	Replay XD1080 Clear Lens Cover	1
RP023	Replay XD1080 Lens Bezel & Rear Cap O-Ring	1
RP024	Replay XD Lens Bezel	1
RP029	Replay XD1080 HDMI to Mini-HDMI	1
RP030	Replay XD1080 Mini 8-pin USB Charge Data Cable	1
RP032	USB DC Car Charger 1A Stubby	1
RP033	USB DC Car Charger 500mAh	1
RP034	Micro SDHC USB Reader	1
RP036	3M VHB 4991 Mount Adhesive for SnapTray	1
RP038	3M VHB 5962 Mount Adhesive for SnapTray	1
RP041	Replay XD Suction Cup Arm Mini Clamp	1
RP042	Replay XD Suction Cup Short Arm Base	1
RP043	Replay XD Skateboard Mount	1
RP044	Replay XD VHB SnapTray, Convex	1
RP045	Replay XD VHB SnapTray, Flat	1
RP046	Au Plug for Universal DC Wall Charger	1
RP047	Eu Plug for Universal DC Wall Charger	1
RP048	Uk Plug for Universal DC Wall Charger	1
RP049	Universal USB DC Wall Charger 1A	1
RP054	Replay ReView Field Monitor	1

**:: Apparel**

SP31**	27 Time WC T-Shirt, Black (S, M, L, XL, 2XL, 3XL)	1
SP32**	Kids AE 2012 T-Shirt, Blue (S, M, L)	1
SP37**	Reedy 2012 T-shirt - Black (S, M, L, XL, 2XL, 3XL)	1
SP38	Reedy Trucker Hat	1
SP39	Reedy Patch	1
SP71**	Associated Winter Jacket (M, L, XL)	1
SP77**	AE 2012 T-Shirt, Blue (S, M, L, XL, 2XL, 3XL)	1
SP78**	AE 2012 T-Shirt, White (S, M, L, XL, 2XL, 3XL)	1
SP79**	AE 2012 T-Shirt, Black (S, M, L, XL, 2XL, 3XL)	1
SP84**	Reedy 3D T-Shirt, Black (S, M, L, XL, 2XL, 3XL)	1
SP86**	Reedy Womens 3D T-Shirt, Black (S, M)	1
SP90**	AE Retro T-Shirt, Blue (S, M, L, XL, 2-5XL)	1
SP91**	AE Retro T-Shirt, Black (S, M, L, XL, 2-5XL)	1
SP92**	AE Retro T-Shirt, White (S, M, L, XL, 2-5XL)	1
SP93**	2013 Worlds T-Shirt, Blue (S, M, L, XL, 2-5XL)	1
SP94**	2013 Worlds T-Shirt, Black (S, M, L, XL, 2-5XL)	1
SP95**	2013 Worlds Hoodie, Black (S, M, L, XL, 2-3XL)	1
SP96**	AE Retro Womens T-Shirt, Pink (S, M, L, XL)	1
SP97**	AE Retro Womens T-Shirt, Black (S, M, L, XL)	1
SP98**	AE Womens T-Shirt, Black (S, M, L, XL)	1
SP416	Associated Car Carrier Bag, Medium	1
SP417	1/10 FT Motor Bag	1
SP420**	AE Pit Gloves (L, XL)	Pr.
SP421S	AE 2012 Hat, Black, Flat Bill, S/M	1
SP421L	AE 2012 Hat, Black, Flat Bill, L/XL	1
SP422S	AE 2012 Hat, Black, Curved Bill, S/M	1
SP422L	AE 2012 Hat, Black, Curved Bill, L/XL	1
SP423S	AE 2012 Hat, White, Flat Bill, S/M	1
SP423L	AE 2012 Hat, White, Flat Bill, L/XL	1
SP424S	AE 2012 Hat, White, Curved Bill, S/M	1
SP424L	AE 2012 Hat, White, Curved Bill, L/XL	1
715	Reedy 2009 Track Banner	1
110684	Team Associated Track Banner	1

\*\* Use part number plus the desired size when ordering!

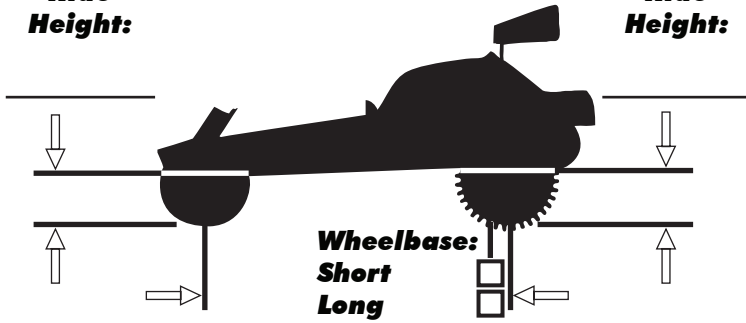
# TEAM ASSOCIATED RC10 SETUP SHEET

Driver: \_\_\_\_\_ Date: \_\_\_\_\_  
 Track: \_\_\_\_\_ Event: \_\_\_\_\_  
 Conditions: Indoor  Outdoor  Temp. \_\_\_\_\_ Rev. 1

## Ride Height / Wheelbase

Front Ride Height:

Rear Ride Height:

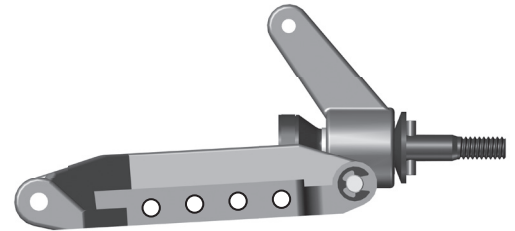
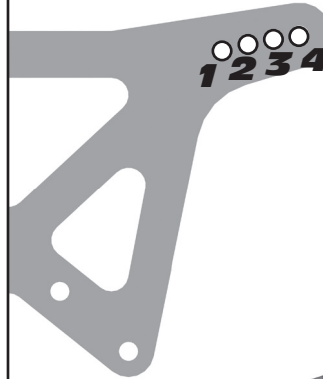


Wheelbase:  
Short   
Long

## Rear Suspension

Camber: \_\_\_\_\_

Rear Hub Carriers:  
0°   
1.5°



A B C D

Rear Drive Shafts:  
CVA   
Dogbone

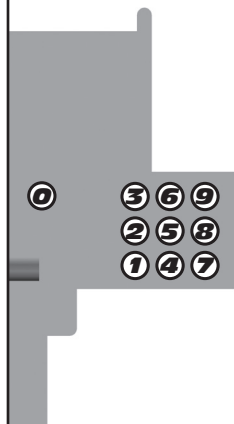
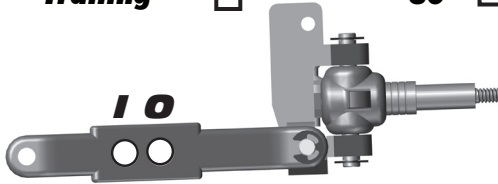
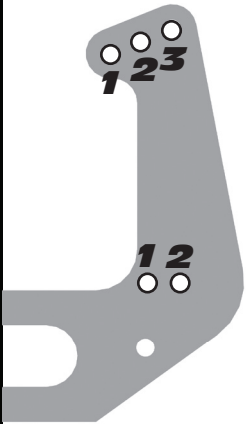
## Front Suspension

Camber: \_\_\_\_\_

Toe: \_\_\_\_\_

Steering Block:  
Inline   
Trailing

Casters:  
15°   
30°



## Front Shocks

Spring: \_\_\_\_\_ Piston: \_\_\_\_\_  
 Shock Oil: \_\_\_\_\_ Limiter: \_\_\_\_\_

## Rear Shocks

Spring: \_\_\_\_\_ Piston: \_\_\_\_\_  
 Shock Oil: \_\_\_\_\_ Limiter: \_\_\_\_\_

## Electronics

Motor & Wind: \_\_\_\_\_  
 Pinion: \_\_\_\_\_ Spur Gear: \_\_\_\_\_  
 Batteries: \_\_\_\_\_

## Radio / ESC Settings

Radio: \_\_\_\_\_  
 Throttle / Brake e.p.a.: \_\_\_\_\_  
 Throttle / Brake expo: \_\_\_\_\_  
 Servo: \_\_\_\_\_ Steering Expo: \_\_\_\_\_  
 ESC: \_\_\_\_\_  
 ESC Settings: \_\_\_\_\_

## Drivetrain

Slipper: \_\_\_\_\_  
 2 Pads  3 Pads  4 Pads   
 Notes: \_\_\_\_\_

## Other

Body Type: \_\_\_\_\_  
 Wing Type: \_\_\_\_\_

## Weight

Battery Placement: \_\_\_\_\_  
 Ballast Weight: \_\_\_\_\_  
 Notes: \_\_\_\_\_

## Rear Tires

Tire: \_\_\_\_\_  
 Compound: \_\_\_\_\_  
 Insert: \_\_\_\_\_ Wheel: \_\_\_\_\_

## Front Tires

Tire: \_\_\_\_\_  
 Compound: \_\_\_\_\_  
 Insert: \_\_\_\_\_ Wheel: \_\_\_\_\_

## Track Info

Surface:	Traction:	Conditions:	Moisture:
Dirt <input type="checkbox"/>	Low <input type="checkbox"/>	Grooved <input type="checkbox"/>	Wet <input type="checkbox"/>
Carpet <input type="checkbox"/>	Med <input type="checkbox"/>	Dusty <input type="checkbox"/>	Damp <input type="checkbox"/>
Astro <input type="checkbox"/>	High <input type="checkbox"/>	Smooth <input type="checkbox"/>	Dry <input type="checkbox"/>
Multi <input type="checkbox"/>		Bumpy <input type="checkbox"/>	
		Hard Pack <input type="checkbox"/>	
		Loamy <input type="checkbox"/>	

## Race and Vehicle Comments

Qualify: \_\_\_\_\_ Main: \_\_\_\_\_ Finish: \_\_\_\_\_ TQ: \_\_\_\_\_  
 Comments: \_\_\_\_\_



**Associated Electrics, Inc.  
26021 Commercentre Dr.  
Lake Forest, CA 92630 USA**

**<http://www.TeamAssociated.com>**

**<https://www.RC10.com>**

**[https://twitter/Team\\_Associated](https://twitter/Team_Associated)**

**<https://bit.ly/AEonFacebook>**

**call: (949) 544-7500 - fax: (949) 544-7501**

**Check out the following web sites for all of our kits,  
current products, new releases, setup help, tips, and racing info!  
[www.TeamAssociated.com](http://www.TeamAssociated.com) - [www.RC10.com](http://www.RC10.com)**

**CompetitionX**  
A WEB SITE FOR THE SERIOUS RACER