



DESCRIPTION

The Extron TeamWork® 601 is a complete, pre-configured collaboration system for four digital and two analog sources. The package includes:

- Four HDMI and two VGA "Show Me" cables, plus MPS 601 switcher
- System controller
- Cable Cubby® Series/2 enclosure with four US AC outlets
- Other necessary system cables

TeamWork 601 supports digital laptops or tablets, and legacy analog computer-video and audio sources. Analog signals are digitized so that they can be switched to the display, along with native HDMI signals, on a single HDMI cable. Optional mounting hardware facilitates different collaboration table or work surface designs.

FEATURES

- ▶ Supports groups of four to six users
- ▶ Simple, intuitive operation
- ▶ Four digital and two analog inputs
- ▶ Pre-configured for fast, easy installation
- ▶ Works with virtually any new or existing furniture system
- ▶ Works with most flat panel displays, laptops, and tablets

SWITCHER

Resolution	
HDMI	Up to 1080p @ 60 Hz or 720p/1080i @ 120 Hz, 12-bit color
VGA	640x480 @ 60Hz to 2048x1080 @ 60 Hz
Power supply	External, Input: 100-240 VAC, 50-60 Hz, Output: 12 VDC, 1A, 12 watts
Enclosure dimensions	1.75" H x 8.75" W x 6.0" D (1U high, half rack wide) (4.4 cm H x 22.2 cm W x 15.2 cm D) (Depth excludes connectors)

SYSTEM CONTROLLER

Connectors	
IPL T PC1i	1 female IEC power connector
Voltage	
IPL T PC1	120 VAC, 50-60 Hz
Maximum AC load	
IPL T PC1	12A, 1440 watts at 120 VAC
Serial control pin configuration	1 = Tx, 2 = Rx, 3 = GND, 4 = +5 VDC
Power supply	Internal: 100-240 VAC, 50-60 Hz, 5 watts
Enclosure dimensions	1.75" H x 4.3" W x 6.0" D (1U high, quarter rack wide) (4.4 cm H x 10.9 cm W x 15.2 cm D) (depth excludes connectors)

CABLE CUBBY

Min./max. table thickness	0.50" to 2.50" (1.27 cm to 6.35cm)
Top plate (outer rim)	10.3" W x 7.2" D (26.2 cm W x 18.2 cm D)
Surface cutout (inside rim)	10.0" W x 6.75" D (25.4 cm W x 17.1 cm D)
Enclosure depth	6.5" H (16.5 cm H)
Enclosure only	8 lbs (4 kg)
With AC modules	11 lbs (5 kg)

HDMI SM "SHOW ME" CABLE

Standards	High speed HDMI® cable
Data rates	Supports 10.2 Gbps
Connector type	1 male type A HDMI to 1 male type A HDMI
Overall length	6' (1.8 m) measured neck-to-neck

VGA SMC "SHOW ME" CABLE

Connector type	1 male 15-pin HD to 1 male 15-pin HD
Overall length	6' (1.8 m) measured neck-to-neck

For complete specifications, please go to www.extron.com
Specifications are subject to change without notice.

MODEL

TeamWork 601

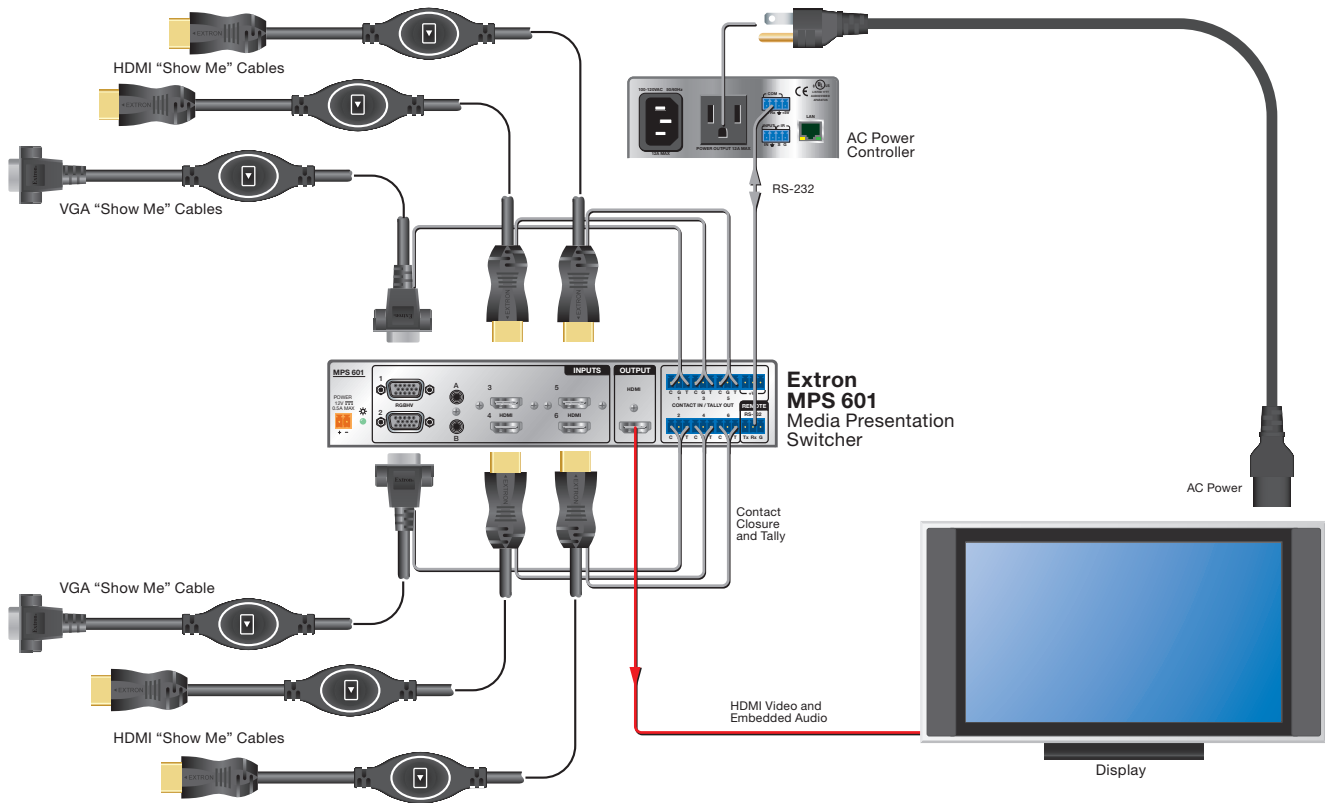
VERSION DESCRIPTION

Four Digital and Two Analog Sources

PART

42-241-01

Application Diagram



Worldwide Sales Offices

Anaheim • Raleigh • Silicon Valley • Dallas • New York • Washington, DC • Toronto • Mexico City • Paris • London • Frankfurt
Amersfoort • Moscow • Dubai • Johannesburg • New Delhi • Bangalore • Singapore • Seoul • Shanghai • Beijing • Tokyo

UNITED STATES

+800.633.9876
Inside USA/Canada
+1.714.491.1500

EUROPE

+800.3987.6673
Inside Europe
+31.33.453.4040

ASIA

+800.7339.8766
Inside Asia
+65.6383.4400

MIDDLE EAST

+971.4.299.1800