

# TECHNICAL GUIDE

---



Heating and Air Conditioning

# PREDATOR<sup>®</sup>

## STANDARD EFFICIENCY SINGLE PACKAGE AIR CONDITIONERS AND SINGLE PACKAGE GAS/ELECTRIC UNITS

DM 078, 090, 102, 120 and 150  
6-1/2, 7-1/2, 8-1/2, 10 and 12-1/2 NOMINAL TONS  
9.0 EER



## DESCRIPTION

YORK<sup>®</sup> Predator<sup>®</sup> units are convertible single packages with a common footprint cabinet and common roof curb for all 6-1/2 through 12-1/2 ton models. All units have two compressors with independent refrigeration circuits to provide two stages of cooling. The units were designed for commercial applications and can be easily installed on a roof curb, slab, or frame.

All Predator<sup>®</sup> units are self-contained and assembled on rigid full perimeter base rails allowing for 3-way forklift access and overhead rigging. Every unit is completely charged, wired, piped, and tested at the factory to provide a quick and easy field installation.

All units are convertible between side and down airflow. A independent economizer design is used on side and down discharge applications, as well as all tonnage sizes.

Predator<sup>®</sup> units are available in the following configurations: cooling only, cooling with electric heat, and cooling with gas heat. Electric heaters are available as factory-installed options or field-installed accessories.

*Tested in accordance with:*



# TABLE OF CONTENTS

- DESCRIPTION** ..... 1
- FEATURES**..... 3
- FACTORY INSTALLED OPTIONS** ..... 5
- FIELD INSTALLED ACCESSORIES** ..... 6
- NOMENCLATURE** ..... 10
- GUIDE SPECIFICATIONS** ..... 46

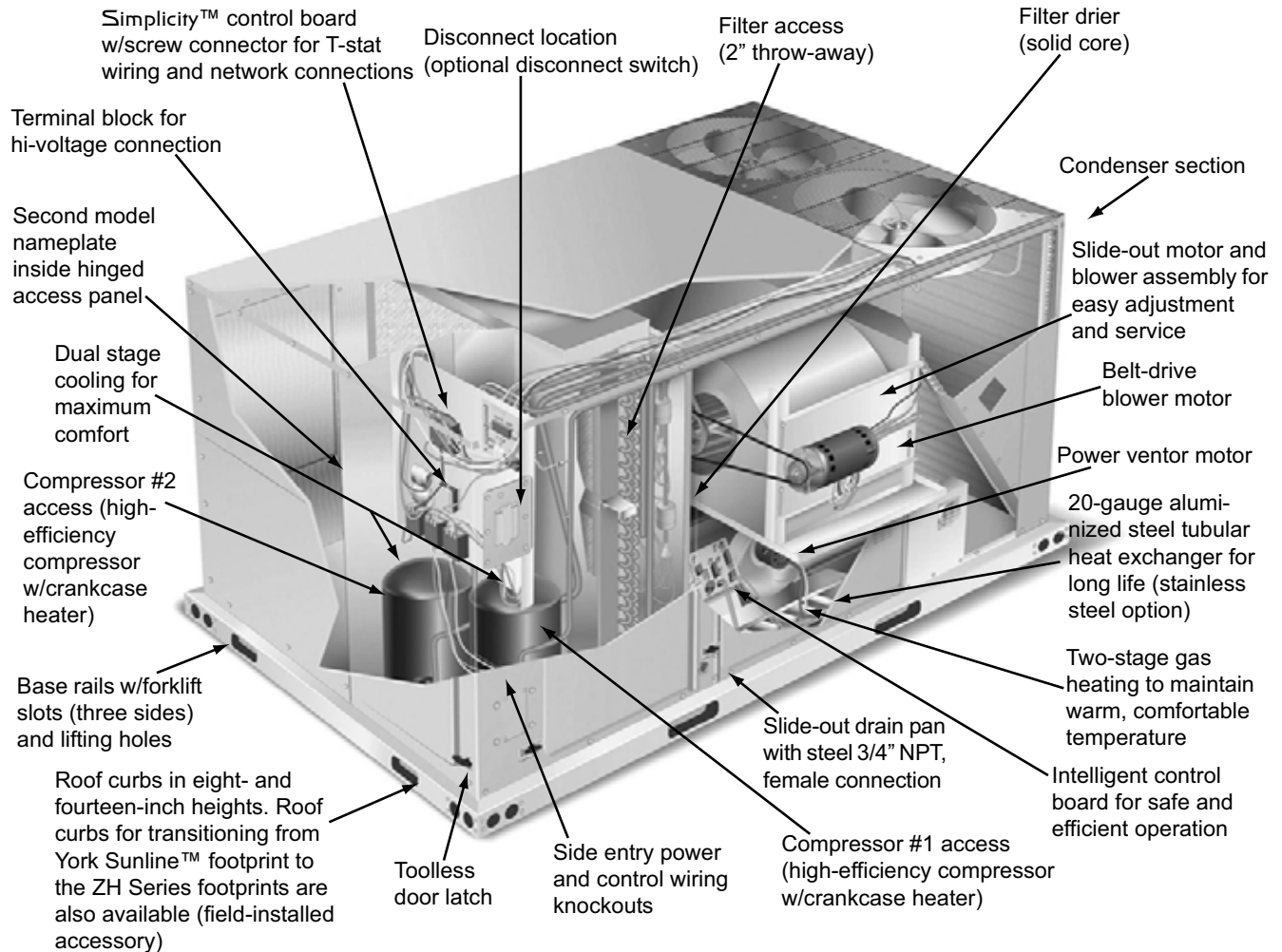
## LIST OF FIGURES

<u>Fig. #</u>	<u>Pg. #</u>
1	3
2	35
3	35
4	35
5	36
6	37
7	38
8	38
9	39
10	39
11	40
12	40
13	41
14	41
15	42
16	43
17	44
18	45

## LIST OF TABLES

<u>Tbl. #</u>	<u>Pg. #</u>
1	8
2	11
3	12
4	12
5	13
6	14
7	15
8	16
9	17
10	40

W/O PWRD CONVENIENCE OUTLET	18
11 ELECTRICAL DATA DM078 (6-1/2 TON) STD EFFICIENCY WITH PWRD CONVENIENCE OUTLET	18
12 ELECTRICAL DATA - DM090 (7-1/2 TON) STANDARD EFFICIENCY W/O PWRD CONV. OUTLET	19
13 ELECTRICAL DATA - DM090 (7-1/2 TON) STANDARD EFFICIENCY W/PWRD CONV. OUTLET	19
14 ELECTRICAL DATA DM102 (8-1/2 TON) STD EFFICIENCY W/O PWRD CONVENIENCE OUTLET	20
15 ELECTRICAL DATA DM102 (8-1/2 TON) STD EFFICIENCY WITH PWRD CONVENIENCE OUTLET	20
16 ELECTRICAL DATA DM120 (10 TON) STD EFFICIENCY W/O PWRD CONVENIENCE OUTLET	21
17 ELECTRICAL DATA DM120 (10 TON) STD EFFICIENCY WITH PWRD CONVENIENCE OUTLET	21
18 ELECTRICAL DATA DM150 (12-1/2 TON) STD EFFICIENCY W/O PWRD CONVENIENCE OUTLET	22
19 ELECTRICAL DATA DM150 (12-1/2 TON) STD EFFICIENCY W/PWRD CONVENIENCE OUTLET	22
20 ELECTRIC HEAT MULTIPLIERS	22
21 DM078 (6-1/2 TON) SIDE SHOT BLOWER PERFORMANCE	23
22 DM090 (7-1/2 TON) SIDE SHOT BLOWER PERFORMANCE	24
23 DM102 (8-1/2 TON) SIDE SHOT BLOWER PERFORMANCE	25
24 DM120 (10 TON) SIDE SHOT BLOWER PERFORMANCE	26
25 DM150 (12-1/2 TON) SIDE SHOT BLOWER PERFORMANCE	27
26 DM078 (6-1/2 TON) DOWN SHOT BLOWER PERFORMANCE	28
27 DM090 (7-1/2 TON) DOWN SHOT BLOWER PERFORMANCE	29
28 DM102 (8-1/2 TON) DOWN SHOT BLOWER PERFORMANCE	30
29 DM120 (10 TON) DOWN SHOT BLOWER PERFORMANCE	31
30 DM150 (12-1/2 TON) DOWN SHOT BLOWER PERFORMANCE	32
31 ADDITIONAL STATIC RESISTANCE DM078, 120 AND 150	33
32 ADDITIONAL STATIC RESISTANCE DM090, 102	33
33 ELECTRIC HEAT MINIMUM SUPPLY AIR CFM	34
34 INDOOR BLOWER SPECIFICATIONS	34
35 POWER EXHAUST SPECIFICATIONS	34
36 4 POINT LOAD WEIGHT	35
37 6 POINT LOAD WEIGHT	36
38 UNIT WEIGHT	36
39 UNIT HEIGHT	36
40 UNIT CLEARANCES	36
41 ECONOMIZER USAGE	40



**FIGURE 1 - PREDATOR® COMPONENT LOCATION (DM 120 SHOWN)**

## FEATURES

- **Standard Efficiency**— All standard efficiency units have a minimum EER of 9.0. Gas/electric units have electronic spark ignition and power vented combustion with steady state efficiencies of 80%.
- **Service Friendly** – The Predator® incorporates a number of enhancements which improve serviceability.

The motor and blower slide out of the unit as a common assembly. This facilitates greater access to all the indoor airflow components, thus simplifying maintenance and adjustment.

Service time is reduced through the use of hinged, toolless panels. Such panels provide access to frequently inspected components and areas, including the control box, compressors, filters, indoor motor & blower, and the heating section. The panels are screwed in place at the factory to prevent access by children or other unauthorized persons. It is recommended that the panels be secured with screws once service is complete.

Service windows have been placed in both condenser section walls. Rotation of the cover allows easy access to the condenser coils for cleaning or inspection.

Both the unit control board and ignition control board utilize flash codes to aid in diagnosis of unit malfunctions. Unique alarm codes quickly identify the source of the unit alarm.

All units use the same standard filter size. This standardization removes any confusion on which filter sizes are needed for replacement.

The non-corrosive drain pan slides out of the unit to permit easy cleaning. The drain pan is accessed by removing the drain pan cover plate on the rear of the unit. Once the plate is removed, the drain pan slides out through the rear of the unit.

All Predator® units have a second model nameplate located inside the control access door. This is to prevent deterioration of the nameplate through weathering.

- **Environmentally Aware** – For improved Indoor Air Quality, foil faced insulation is used exclusively throughout the units.

- **Balanced Heating** – The Predator® offers “Ultimate Heating Comfort” with a balance between 1<sup>st</sup> and 2<sup>nd</sup> stage gas heating. The 1<sup>st</sup> stage of a gas heat Predator® unit provides 60% of the heating capacity. Balanced heating allows the unit to better maintain desired temperatures.
  - **Convertible Airflow Design** – The side duct openings are covered when they leave the factory. If a side supply/return is desired, the installer simply removes the two side duct covers from the outside of the unit and installs them over the down shot openings. No panel cutting is required. Convertible airflow design allows maximum field flexibility and minimum inventory.
  - **System Protection** - Suction line freezestats are supplied on all units to protect against loss of charge and coil frosting when the economizer operates at low outdoor air temperatures while the compressors are running. Every unit has solid-core liquid line filter-driers and high and low-pressure switches. Internal compressor protection is standard on all compressors. Crankcase heaters are standard on reciprocating compressors. Scroll compressors do not require crankcase heaters. Phase Monitors are standard on units with scroll compressors. This accessory monitors the incoming power to the unit and protects the unit from phase loss and reversed phase rotation.
  - **Advanced Controls** - Simplicity™ control boards have standardized a number of features previously available only as options or by utilizing additional controls.
    - **Low Ambient** - An integrated low-ambient control allows all units to operate in the cooling mode down to 0°F outdoor ambient without additional assistance. Optionally, the control board can be programmed to lockout the compressors when the outdoor air temperature is low or when free cooling is available.
    - **Anti-Short Cycle Protection** - To aid compressor life, an anti-short cycle delay is incorporated into the standard controls. Compressor reliability is further ensured by programmable minimum run times. For testing, the anti-short cycle delay can be temporarily overridden with the push of a button.
    - **Fan Delays** - Fan on and fan off delays are fully programmable. Furthermore, the heating and cooling fan delay times are independent of one another. All units are programmed with default values based upon their configuration of cooling and heat.
    - **Safety Monitoring** - The control board monitors the high and low-pressure switches, the freezestats, the gas valve, if applicable, and the temperature limit switch on gas and electric heat units. The unit control board will alarm on ignition failures, compressor lockouts and repeated limit switch trips.
    - **Nuisance Trip Protection and Strikes** - To prevent nuisance trouble calls, the control board uses a “three times, you’re out” philosophy. The high and low-pressure switches and the freezestats must trip three times within two hours before the unit control board will lock out the associated compressor.
  - **On Board Diagnostics** - Each alarm will energize a trouble light on the thermostat, if so equipped, and flash an alarm code on the control board LED. Each high and low-pressure switch alarm as well as each freezestat alarm has its own flash code. The control board saves the five most recent alarms in memory, and these alarms can be reviewed at any time. Alarms and programmed values are retained through the loss of power.
  - **Reliable** – From the beginning – All units undergo computer automated testing before they leave the factory. Units are tested for refrigerant charge and pressure, unit amperage, and 100% functionality. For the long term – All Predator® units are painted with a long lasting, powder paint that stands up over the life of the unit. The paint used has been proven by a 1000 hour salt spray test.
  - **Flexible Placement** – All models and configurations share the same cabinet/footprint and thus the same roof curb. You have the flexibility to set one curb and choose the correct tonnage size and heating option after the internal loads have been determined.
- To further simplify planning and installation, Predator® cabinets are designed to fit your roof. With the optional roof curb, the unit ductwork is designed to fit around 24” on-center joists or between 48” on-center joists.
- The drain pan can be rotated to drain to either the front or the rear of the unit. Additionally, the drain pan can be piped to drain through the roof curb. As it is sometimes difficult to have a level installation, the drain pan features a generous slope to ensure proper drainage.
- **Full Perimeter Base Rails** – The permanently attached base rails provide a solid foundation for the entire unit and protect the unit during shipment. The rails offer fork-lift access from 3 sides, and rigging holes are available so that an overhead crane can be used to place the units on a roof.
  - **Easy Installation** – Gas and electric utility knockouts are supplied in the unit underside as well as the side of the unit. A clearly identified location is provided to mount a field supplied electrical disconnect switch. Utility connections can be made quickly and with a minimum amount of field labor.
- All units are shipped with 2” filters installed.
- **Wide Range of Indoor Airflows** – All indoor fan motors are belt-drive type providing maximum flexibility to handle most airflow requirements. For high static applications, factory installed alternate indoor fan motors are available. With the optional indoor fan motor, all units can supply nominal airflow at a minimum of 1.5” ESP.
  - **Warranty** - All models include a 1-year limited warranty on the complete unit. Compressors and electric heater elements each carry a 5-year warranty. Aluminized steel and stainless steel tubular heat exchangers carry an additional 10-year warranty.

## FACTORY INSTALLED OPTIONS

YORK® offers several equipment options factory installed, for the Predator® line.

- **Optional Factory Installed Economizers** - Predator units offer a variety of optional factory installed economizers with low leak dampers. The outdoor air enthalpy sensor enables economizer operation if the outdoor enthalpy is less than the setpoint of the economizer logic module. See Table 41 to determine the correct economizer for your application.
- **Downflow Economizer - (With barometric relief)** - The economizer is provided with a single enthalpy input. The economizer is 2% low leakage type, and is shipped installed and wired. The installer needs only to assemble and mount the outdoor air hood (Provided). The economizer has spring return, fully modulating damper actuators and is capable of introducing up to 100% outdoor air. As the outdoor air intake dampers open, the return air dampers close. The changeover from mechanical refrigeration to economizer operation is regulated by the standard single enthalpy input. There is an optional input dual dry bulb available. To meet regulated air standards, the economizer control accepts an optional CO<sub>2</sub> input for demand ventilation. With single enthalpy input, the economizer control monitors outdoor air. The dual enthalpy kit provides a second input used to monitor the return air. With a dual input kit installed, the economizer control compares the values of the two enthalpy or temperature inputs and positions the dampers to provide the maximum efficiency possible.
- **Horizontal Economizer - (Without barometric relief)** - All features of the downflow economizer exist except you must order the duct mount barometric relief separately. **You must order a 1EH0408 if you are installing a power exhaust. You can order a 1RD0411 Barometric Relief for horizontal flow economizers only.**
- **BAS Ready Economizer -(With barometric relief)** - The economizer is provided with a Belimo actuator that requires a 0-10V DC input from an external source (i.e., field installed building automation system controller). Power exhaust options are available. The economizer is 2% low leakage type with spring return and fully modulating dampers capable of introducing up to 100% outside air. Also include 2" pleated filters.
- **Slab Economizer for Energy Recovery Ventilators-(With barometric relief and Fresh Air Hood)** - The economizer is provided with a single enthalpy input. The economizer is 2% low leakage type, and is shipped installed and wired. The economizer has spring return, fully modulating damper actuators and is capable of introducing up to 100% outdoor air. As the outdoor air intake dampers open, the return air dampers close. The changeover from mechanical refrigeration to economizer operation is regulated by the standard single enthalpy input. There is an optional input dual dry bulb available. To meet regulated air standards, the economizer control accepts an optional CO<sub>2</sub> input for demand ventilation. With single enthalpy input, the economizer control monitors outdoor air. The dual enthalpy kit provides a second input used to monitor the return air. With a dual input kit installed, the economizer control compares the values of the two enthalpy or temperature inputs and positions the dampers to provide the maximum efficiency possible.
- **Power Exhaust (Downflow only)** - This accessory installs in the unit with a down flow economizer.
- **Motorized Outdoor Air Damper** - The motorized outdoor air damper includes a slide-in/plug-in damper assembly with an outdoor air hood and filters. The outdoor air dampers open to the preset position when the indoor fan motor is energized. The damper has a range of 0% to 100% outdoor air entry. Factory installed option or field installed accessory.
- **Alternate Indoor Blower Motor** - For applications with high static restrictions, units are offered with optional indoor motors that provide higher static output and/or higher airflow, depending upon the installer's needs.
- **Aluminized Steel Gas Heat Exchanger** - For applications in non-corrosive environments.
- **Stainless Steel Gas Heat Exchanger** - For applications in corrosive environments, this option provides a full stainless steel heat exchanger assembly.
- **Stainless Steel Drain Pan** - An optional rust-proof stainless steel drain pan is available to provide years of trouble-free operation in corrosive environments.
- **Electric Heaters** - The electric heaters range from 9kW to 54kW and are available in all the voltage options of the base units. All heaters are dual staged. All heaters are intended for single point power supply.
- **Disconnect Switch** - For gas heat units and cooling units with electric heat, an HACR breaker sized to the unit is provided. For cooling only units, a switch sized to the largest electric heat available for the particular unit is provided. Factory installed option only.
- **Convenience Outlet - (Non-Powered /Powered)** - This option locates a 120V single-phase GFCI outlet with cover, on the corner of the unit housing adjacent to the compressors. The "Non-powered" option requires the installer to provide the 120V single-phase power source and wiring. The "Powered" option is powered by a step-down transformer in the unit. Factory installed option only.
- **Smoke Detectors** - The smoke detectors stop operation of the unit by interrupting power to the control board if smoke is detected within the air compartment. Available for both the supply and/or return air.

## ▲ WARNING

Factory installed smoke detectors in the return air, may be subjected to freezing temperatures during "off" times due to outside air infiltration. These smoke detectors have an operational limit of 32 °F to 131°F. Smoke detectors installed in areas that could be outside those limitations will have to be moved to prevent having false alarms.

- **Phase Monitors** - Designed to prevent unit damage. The phase monitor will shut the unit down in an out-of-phase condition. **(Standard on units with Scroll Compressors.)**
- **Coil Guard** - Customers can purchase a coil guard kit to protect the condenser coil from damage. Additionally, this kit stops animals and foreign objects from entering the space between the inner condenser coil and the main cabinet. This is not a hail guard kit.
- **Dirty Filter Switch** - This kit includes a differential pressure switch that energizes the fault light on the unit thermostat, indicating that there is an abnormally high pressure drop across the filters. Factory installed option or field installed accessory.
- **Technicoat Condenser Coils** - The condenser coils are coated with a phenolic coating for protection against corrosion due to harsh environments.
- **Technicoat Evaporator Coil** - The evaporator coils are coated with a phenolic coating for protection against corrosion due to harsh environments.
- **BAS - Building Automation System Controls Simplicity™ INTELLI-Comfort™ Control** - The York® Simplicity™ INTELLI-Comfort™ control is factory installed. It includes a supply air sensor, a return air sensor, and an outside air sensor. There are provisions for a field installed dirty filter indicator switch, an air-proving switch, an Outside Air Humidity sensor, a Return Air Humidity sensor, an Inside IAQ sensor, and an Outside Air IAQ sensor. Construction mode operation, 365-day real time clock with 7 day programming plus holiday scheduling is built-in. Two different modes of demand ventilation are achieved through the INTELLI-Comfort™ using CO<sub>2</sub> sensors. It uses an inside CO<sub>2</sub> sensor to perform Demand Ventilation. It can also use an Outside CO<sub>2</sub> sensor to perform Differential Demand Ventilation. It uses a Patented Comfort Ventilation algorithm to provide comfortable ventilation air temperature. The patented economizer-loading algorithm will protect the equipment when harsh operating conditions exist. Humidity in the occupied space or return duct can be monitored and controlled via humidity sensors and the on-board connection for hot gas re-heat system. It uses the INTELLI-Start™ algorithm to maximize energy savings by recovering the building from the Unoccupied Setpoints to the Occupied Setpoints just in time for the Occupied Time Period to begin. The Simplicity™ INTELLI-Comfort™ balances space temperature, ventilation air temperature, CO<sub>2</sub> and humidity for ultimate comfort.
- **Simplicity™ INTELLI-Comfort™ with ModLINC Control** - The York® Simplicity™ INTELLI-Comfort™ with ModLINC control is factory installed. It includes all the features of the INTELLI-Comfort™ control with an additional control to translate communications from MODBUS to the BACnet MSTP protocol.
- **Novar® BAS Control** - The Novar® ETC-3 building automation system controller is factory installed. Includes supply air sensor, return air sensor, dirty filter indicator switch, and air proving switch.
- **Johnson Controls BAS Control** - The Johnson Control YK-UNT-1126 building automation system controller is factory installed. Includes supply air sensor, return air sensor, dirty filter indicator switch, and air proving switch.
- **CPC BAS Control** - The Computer Process Controls Model 810-3060 ARTC Advanced Rooftop building automation system controller is factory installed. Includes supply air sensor, return air sensor, dirty filter indicator switch and air proving switch.
- **Honeywell BAS Control** - The Honeywell W7750C building automation system controller is factory installed. Includes air supply sensor, return air sensor, dirty filter indicator switch, and air proving switch.

## FIELD INSTALLED ACCESSORIES

YORK® offers several equipment accessories for field installation, for the Predator® line.

- **Downflow Economizer - (With barometric relief)** - The economizer is provided with a single enthalpy input. The economizer is 2% low leakage type. The economizer has spring return, fully modulating damper actuators and is capable of introducing up to 100% outdoor air. As the outdoor air intake dampers open, the return air dampers close. The changeover from mechanical refrigeration to economizer operation is regulated by the standard single enthalpy input. There is an optional input dual dry bulb available. To meet regulated air standards, the economizer control accepts an optional CO<sub>2</sub> input for demand ventilation. With single enthalpy input, the economizer control monitors outdoor air. The dual enthalpy kit provides a second input used to monitor the return air. With a dual input kit installed, the economizer control compares the values of the two enthalpy or temperature inputs and positions the dampers to provide the maximum efficiency possible
- **Horizontal Economizer - (Without barometric relief)** - All features of the downflow economizer exist except you must order the duct mount barometric relief separately. **You must order a 1EH0408 if you are installing a power exhaust. You can order a 1RD0411 Barometric Relief for horizontal flow economizer.**
- **Slab Economizer for Energy Recovery Ventilator - (Without barometric relief or Fresh Air Hood)** - The economizer is provided with a single enthalpy input. The economizer is 2% low leakage type. The economizer has spring return, fully modulating damper actuators and is capable of introducing up to 100% outdoor air. As the out-

door air intake dampers open, the return air dampers close. The changeover from mechanical refrigeration to economizer operation is regulated by the standard single enthalpy input. There is an optional input dual dry bulb available. To meet regulated air standards, the economizer control accepts an optional CO<sub>2</sub> input for demand ventilation. With single enthalpy input, the economizer control monitors outdoor air. The dual enthalpy kit provides a second input used to monitor the return air. With a dual input kit installed, the economizer control compares the values of the two enthalpy or temperature inputs and positions the dampers to provide the maximum efficiency possible.

**You can order 1EH0409 Barometric Relief/FA Hood for field installations without an ERV.**

- **Dual Enthalpy Control, Accessory** - This kit contains the required components to convert a single enthalpy economizer to dual enthalpy.
- **Barometric Relief Damper** - Zero to 100% capacity barometric relief dampers for use with horizontal flow, or field installed slab economizers.
- **Power Exhaust** - This accessory installs in the unit with a down flow economizer. Power exhaust plugs into the connector in the unit bulkhead. **You must purchase 1EH0408 barometric relief when applying to a horizontal flow application.**
- **Manual Outdoor Air Damper** - Like the motorized outdoor air damper, each manual outdoor air damper includes a slide-in damper assembly with an outdoor air hood and filters. Customers have a choice of dampers with ranges of 0% to 100% or 0% to 35% outdoor air entry.
- **Motorized Outdoor Air Damper** - The motorized outdoor air damper includes a slide-in/plug-in damper assembly with an outdoor air hood and filters. The outdoor air dampers open to the preset position when the indoor fan motor is energized. The damper has a range of 0% to 100% outdoor air entry. Factory installed option or field installed accessory.
- **Smoke Detectors** - The smoke detectors stop operation of the unit by interrupting power to the control board if smoke is detected within the air compartment.
- **CO<sub>2</sub> Sensor** - Senses CO<sub>2</sub> levels and automatically overrides the economizer when levels rise above the preset limits.
- **Dirty Filter Switch** - This kit includes a differential pressure switch that energizes the fault light on the unit thermostat, indicating that there is an abnormally high pressure drop across the filters.
- **Coil Guard** - Field installed decorative wire coil guard.
- **Hail Guard** - This kit includes a sloped hood which installs over the outside condenser coil and prevents damage to the coil fins from hail strikes. Field installed accessory only.
- **Flue Exhaust Extension Kit** - In locations with wind or weather conditions which may interfere with proper exhausting of furnace combustion products, this kit can be installed to prevent the flue exhaust from entering nearby fresh air intakes.
- **-60°F Gas Heat Kit** - For installations which require gas heat units to perform in low ambient temperatures, a gas section heating kit is available. This kit provides electric heat in the gas heat controls section to ensure the gas valve and controls will continue to function properly at extremely low temperatures.
- **Gas Heat High Altitude Kit** - This kit converts a gas heat unit to operate at high altitudes, 2,000 to 6,000 feet. Conversion kits are available for natural gas and propane.
- **Gas Heat Propane Conversion Kit** - This kit converts a gas-fired heater from natural gas to propane. It contains the main burner orifices and gas valve replacement springs.
- **Gas Piping Kit** - Contains pipe nipples, fittings and gas cock required for gas supply connection with external shut off.
- **Electric Heaters** - The electric heaters range from 9 kW to 54kW and are available in all the voltage options of the base units. All heaters are dual staged. Cooling units include an adapter panel for easy installation of the electric heaters. Necessary hardware and connectors are included with the heaters. All heaters are intended for single point power supply.
- **Low Limit / Compressor Lockout Kit**
  1. **Compressor Lockout (CLO):** To prevent mechanical (compressorized) operation of the unit during cold outdoor conditions where there is a risk of returning liquid refrigerant back to the compressors.
  2. **Low Limit Control (LLC):** To prevent the supply air from dropping below a specified setpoint by utilizing the units first stage heating means when there is a demand for cooling during cold outside conditions.
- **Metal Frame Filter Kit** - Metal frame with polyester filter medium.
- **Permanent Filters** - Permanent filters are available.
- **Roof Curbs** - The roof curbs have insulated decks and are shipped disassembled. The roof curbs are available in 8" and 14" heights. For applications with security concerns, burglar bars are available for the duct openings of the roof curbs.
- **Roof Curb Transition - Single Piece Adapter (10" High)** - Roof curbs for transitioning from Sunline™ units to Predator® units. Fits 7.5 to 12.5 Sunline™ roof curbs only.
- **Burglar Bars** - Mount in the supply and return openings to prevent entry into the duct work.
- **Thermostat** - The units are designed to operate with 24-volt electronic and electro-mechanical thermostats. All units (with or without an economizer) operate with two-stage heat/two-stage cool or two-stage cooling only thermostats, depending upon unit configuration.

**TABLE 1: ACCESSORIES**

<b>Part Number</b>	<b>Description</b>	<b>Weight</b>
1RC0470	Roof Curb, 8" Height	-
1RC0471	Roof Curb, 14" Height	-
1RC0472	Roof Curb, Transition (7.5 T through 12.5 T)	-
1BD0408	Burglar Bars, Downflow	-
2TP04520925	Electric Heat 9kW 230V	-
2TP04521825	Electric Heat 18kW 230V	-
2TP04522425	Electric Heat 24kW 230V	-
2TP04523625	Electric Heat 36kW 230V	-
2TP04525425	Electric Heat 54kW 230V	-
2TP04520946	Electric Heat 9kW 460V	-
2TP04521846	Electric Heat 18kW 460V	-
2TP04522446	Electric Heat 24kW 460V	-
2TP04523646	Electric Heat 36kW 460V	-
2TP04525446	Electric Heat 54kW 460V	-
2TP04520958	Electric Heat 9kW 575V	-
2TP04521858	Electric Heat 18kW 575V	-
2TP04522458	Electric Heat 24kW 575V	-
2TP04523658	Electric Heat 36kW 575V	-
2TP04525458	Electric Heat 54kW 575V	-
2TP04540925	Electric Heat 9kW 230V, 42" Tall Cabinet	-
2TP04541825	Electric Heat 18kW 230V, 42" Tall Cabinet	-
2TP04542425	Electric Heat 24kW 230V, 42" Tall Cabinet	-
2TP04543625	Electric Heat 36kW 230V, 42" Tall Cabinet	-
2TP04540946	Electric Heat 9kW 460V, 42" Tall Cabinet	-
2TP04541846	Electric Heat 18kW 460V, 42" Tall Cabinet	-
2TP04542446	Electric Heat 24kW 460V, 42" Tall Cabinet	-
2TP04543646	Electric Heat 36kW 460V, 42" Tall Cabinet	-
2TP04540958	Electric Heat 9kW 575V, 42" Tall Cabinet	-
2TP04541858	Electric Heat 18kW 575V, 42" Tall Cabinet	-
2TP04542458	Electric Heat 24kW 575V, 42" Tall Cabinet	-
2TP04543658	Electric Heat 36kW 575V, 42" Tall Cabinet	-
1FA0411	Manual Outside Air Damper 0-35%, Downflow (Incl. Hood, Damper & Filters, No Barometric Relief)	-
1FA0412	Manual Outside Air Damper 0-100%, Downflow (Incl. Hood, Damper & Filters, No Barometric Relief)	-
2MD04702724	Motorized Damper, Downflow (Incl. Hood, Damper & Filter, no Barometric Relief)	-
2MD04703324	Motorized Damper, Horizontal (Incl. Hood, Damper & Filter, no Barometric Relief)	-
2EE04705424	Economizer, Downflow (Incl. Barometric Relief & All Hoods)	124 lbs.
2EE04705524	Economizer, Horizontal (Incl. Dampers & Hoods, no Barometric Relief)	97 lbs.
2EE04705224	Economizer, Slab, Downflow (Incl. Dampers only no Hoods or Barometric Relief)	-
2EE04705624	"Downflow Economizer, Slab type for ERV (no Barometric Relief or FA hood)", 42" Tall Cabinet	-
2PE04703225	Power Exhaust, Downflow, 230V (For Units with Economizer only)	-
2PE04703246	Power Exhaust, Downflow, 460V (For Units with Economizer only)	-
2PE04703258	Power Exhaust, Downflow, 580V (For Units with Economizer only)	-
2EC04700924	Dual Enthalpy Control (Use with Single Enthalpy Economizer)	-
1EH0407	Hood Kit, Downflow Economizer (Included with all Downflow Economizers)	-
1RD0411	Barometric Relief Kit, Ductmount for Horizontal Application (Incl. Damper & Hood)	-
1EH0408	Barometric Relief Kit, Ductmount for Horizontal Application w/Power Exhaust (Incl. Damper & Hood)	25 lbs.
1EH0409	Barometric Relief / Hood Kit, for Field Installed Slab Econ. w/o ERV (Incl. Barometric Relief & FA Hood)	-
2AQ04700424	CO2 Detector Unit Mount	-
2AQ04700324	CO2 Detector Space Mount	-
2SD04700424	Smoke Detector, Supply or Return (Return Not Available with Horizontal Economizer)	-
2MK04700624	Low Limit / Compressor Lockout Kit	-
1CG0419	Coil Guard (Electric / Electric & HP models)	-



**TABLE 1: ACCESSORIES (CONTINUED)**

<b>Part Number</b>	<b>Description</b>	<b>Weight</b>
1CG0420	Coil Guard (Gas / Electric models)	-
1CG0427	Coil Guard (Electric / Electric & HP Models), 42" Tall Cabinet	-
1CG0428	Coil Guard (Gas / Electric Models), 42" Tall Cabinet	-
1HG0411	Hail Guard Kit	-
1HG0415	Hail Guard Kit, 42" Tall Cabinet	-
1GP0405	Gas Piping Kit	-
1NP0442	Propane Conversion Kit	-
1HA0442	High Altitude Kit for Natural Gas	-
1HA0443	High Altitude Kit for Propane	-
1FE0412	Flue Exhaust Extension Kit	-
2BC04700106	Gas Heat Kit, -60 deg F, 230V	-
2BC04700151	Gas Heat Kit, -60 deg F, 460V	-
2BC04700154	Gas Heat Kit, -60 deg F, 575V	-
1FL0402	Permanent Filter Kit (Includes (4) Four Filters)	-
1FL0423	Permanent Filter Kit, (Includes (4) Four Filters) 42" Tall Cabinet	-
2DF0401	Dirty Filter Switch	-
1FF0410	Filter Frame Kit, Metal	-
1FF0411	Metal Filter Frame Kit, 42" Tall Cabinet	-

**NOMENCLATURE**

**6.5-12.5 Ton York® Model Number Nomenclature**

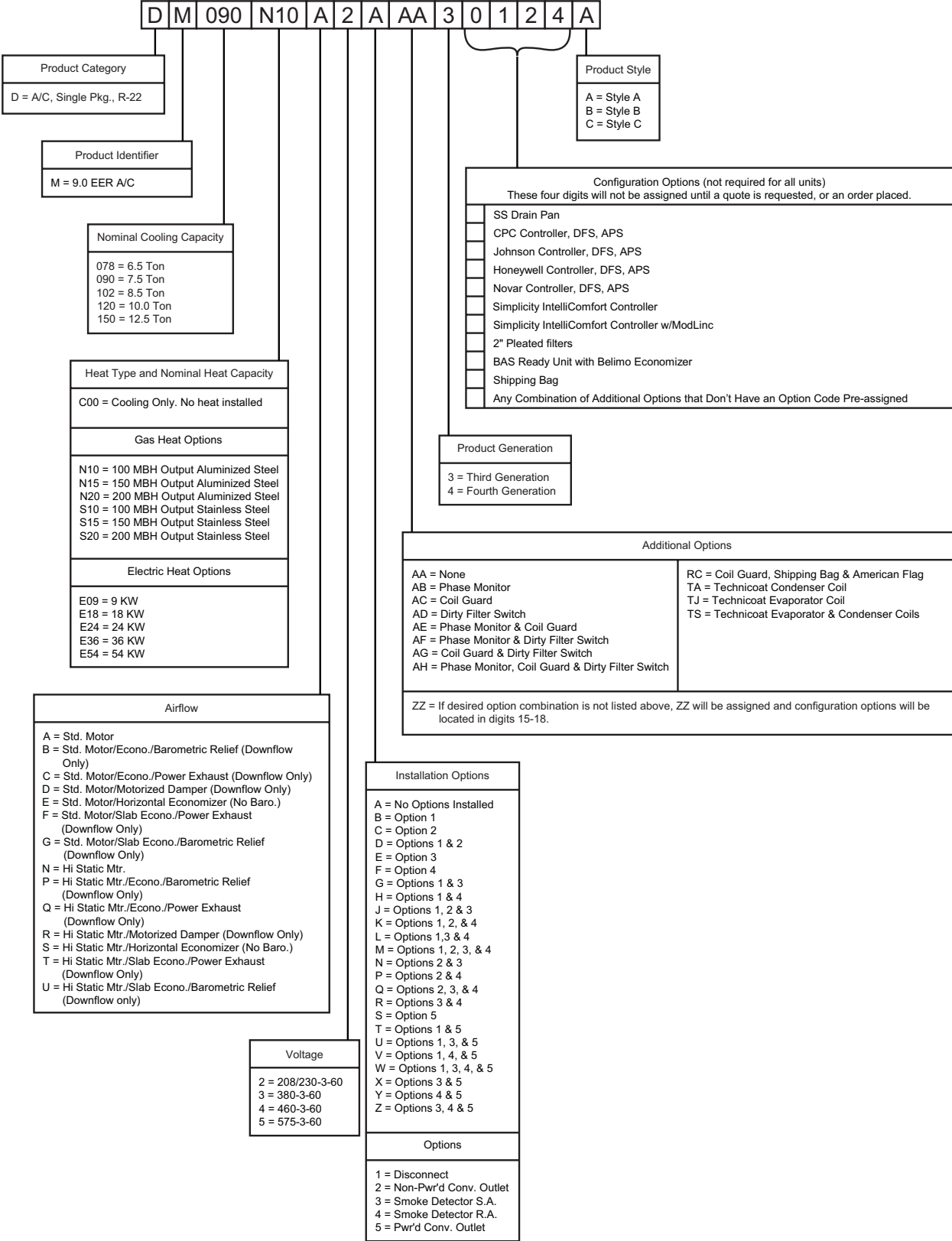


TABLE 2: DM PHYSICAL DATA

Component		Models				
		078	090	102	120	150
<b>Evaporator Blower</b>	Blower, Centrifugal (Dia. X Wd. in.)	15 x 15	12 x 12	12 X 12	15 x 15	15 x 15
	Motor, Standard (HP)	1-1/2	2	3	2	3
	Motor, Optional (HP)	2	3	3	3	5
<b>Evaporator Coil</b>	Rows	2	2	3	2	3
	Fins per Inch	15	15	15	15	15
	Height (in.)	30	32	32	40	40
	Face Area (ft. <sup>2</sup> each)	9.9	10.67	10.67	13.2	13.2
<b>Condenser Fan (2 per Unit)</b>	Propeller Dia. (in., each)	24	24	24	24	24
	Motor (HP, each)	1/3	3/4	3/4	3/4	3/4
	CFM, Nominal (each)	1700	2200	2200	2200	2200
<b>Condenser Coil (2 per unit)</b>	Rows (each)	1	1	1	1	2
	Fins per Inch	20	20	20	20	20
	Height (in. each)	24	28	36	44	44
	Face Area (ft. <sup>2</sup> each)	7.9	9.33	12	14.5	14.5
<b>Refrigerant Charge</b>	System 1 (lb./oz.)	4/6	4/10	5/8	6/12	10/12
	System 2 (lb./oz.)	4/0	3/14	5/2	6/12	11/0
<b>Compressors</b>	Quantity	2	2	2	2	2
	Type	Recip	Recip	Recip.	Recip	Scroll
<b>Air Filters</b>	Size (Wd. x Ht. x Thickness in.)	25x20x2	25x16x2	25x16x2	25x20x2	25x20x2
	Number Per Unit	4	4	4	4	4

**TABLE 3: DM CAPACITY RATINGS**

Size (Tons)	Model	Cooling Capacities ARI Ratings*			CFM	Sound Rating (dB)†	Nominal Electric Heat Capacity‡ (kW)	Gas Heat Capacity				Gas Line Size (in. OD)
		MBH	EER	IPLV				Input (MBH)	Output (MBH)	Seasonal Efficiency (%)	Temp. Rise (°F)	
<b>078 (6-1/2)</b>	Cooling Only	77	9.0	9.45	2600	84	-	-	-	-	-	-
	Electric Heat						9, 18, 24, 34	-	-	-	-	-
	Gas Heat						-	120	96	80	20-50	3/4
	Gas Heat						-	180	144	80	35-65	3/4
<b>090 (7-1/2)</b>	Cooling Only	86	9.0	9.2	2886	89	-	-	-	-	-	-
	Electric Heat						18, 34	-	-	-	-	-
	Gas Heat						-	120	96	80	15-45	3/4
	Gas Heat						-	180	144	80	30-60	3/4
<b>102 (8-1/2)</b>	Cooling Only	99	9.0	10.04	3400	90	-	-	-	-	-	-
	Electric Heat						9, 18, 24, 34	-	-	-	-	-
	Gas Heat						-	120	96	80	15-45	3/4
	Gas Heat						-	180	144	80	30-60	3/4
<b>120 (10)</b>	Cooling Only	120	9.0	9.10	4000	90	-	-	-	-	-	-
	Electric Heat						9, 24, 34, 54	-	-	-	-	-
	Gas Heat						-	180	144	80	20-50	3/4
	Gas Heat						-	240	192	80	35-65	3/4
<b>150 (12-1/2)</b>	Cooling Only	144	9.3	9.25	4500	90	-	-	-	-	-	-
	Electric Heat						9, 24, 34, 54	-	-	-	-	-
	Gas Heat						-	180	144	80	10-40	3/4
	Gas Heat						-	240	192	80	25-55	3/4

\* Rated at 95°F ambient 80°F dry bulb and 67°F wet bulb.

† Rated in accordance with ARI 270 standard.

‡ See Table 20.

**TABLE 4: UNIT VOLTAGE LIMITATIONS**

POWER RATING	MIN.	MAX.
<b>208/230-3-60</b>	187	252
<b>460-3-60</b>	432	504
<b>575-3-60</b>	540	630

**TABLE 5: COOLING CAPACITY DM078 (6-1/2 TON) UNIT**

Air On Evap. Coil		Temperature of Air on Condenser Coil 85°F									Temperature of Air on Condenser Coil 95°F										
CFM	WB (°F)	Tot. Cap.* (MBH)	Tot. Input† (kW)	Sensible Capacity (MBH)* Return Dry Bulb (°F)								Tot. Cap.* (MBH)	Tot. Input† (kW)	Sensible Capacity (MBH)* Return Dry Bulb (°F)							
				86	83	80	77	74	71	68	86			83	80	77	74	71	68		
1950	72	87	6.8	49	43	37	32	26	-	-	78	7.3	45	40	34	28	23	-	-		
	67	80	6.7	61	55	50	44	38	33	27	73	7.1	57	52	46	41	35	29	24		
	62	71	6.4	71	66	61	55	50	44	39	63	6.9	63	61	56	50	45	39	33		
2275	57	66	6.4	66	66	61	56	50	44	39	59	6.8	59	59	54	49	43	37	32		
	72	91	6.9	54	47	41	34	28	-	-	82	7.4	50	44	37	31	24	-	-		
	67	83	6.7	67	61	54	47	41	34	28	76	7.2	64	57	51	44	38	31	24		
2600	62	74	6.5	74	72	66	60	53	47	40	66	6.9	66	65	61	55	48	42	35		
	57	69	6.5	69	69	67	60	54	47	40	62	6.9	62	62	60	53	46	40	33		
	72	94	7.0	59	52	44	37	29	-	-	86	7.5	56	48	41	33	26	-	-		
2925	67	87	6.8	74	66	58	51	43	36	28	80	7.3	70	63	55	48	40	33	25		
	62	77	6.6	77	77	72	64	57	49	42	69	7.0	69	69	67	59	52	44	37		
	57	72	6.6	72	72	72	65	57	49	42	65	7.0	65	65	65	57	50	42	35		
3250	72	95	7.0	63	55	46	37	29	-	-	85	7.5	60	51	43	34	25	-	-		
	67	88	6.8	78	70	61	52	44	35	26	79	7.3	74	66	58	49	40	32	23		
	62	77	6.6	77	77	75	66	58	49	40	69	7.1	69	69	67	59	50	42	33		
3250	57	73	6.6	73	73	73	64	56	47	38	64	7.0	64	64	64	56	47	39	30		
	72	96	7.0	67	58	48	38	29	-	-	85	7.5	64	54	44	35	25	-	-		
	67	89	6.8	83	73	64	54	44	35	25	78	7.3	78	70	60	50	41	31	21		
3250	62	78	6.6	78	78	78	68	59	49	39	68	7.1	68	68	68	58	49	39	29		
	57	74	6.6	74	74	74	64	54	45	35	64	7.1	64	64	64	54	45	35	25		
	Temperature of Air on Condenser Coil 105°F									Temperature of Air on Condenser Coil 115°F											
1950	72	73	7.8	43	37	31	26	20	-	-	67	8.3	40	35	29	23	18	-	-		
	67	66	7.5	54	48	43	37	32	26	21	58	7.9	51	45	40	34	29	23	17		
	62	64	7.4	61	57	52	46	41	35	30	66	7.9	59	54	48	42	37	31	26		
2275	57	54	7.3	54	54	48	43	37	32	26	48	7.8	48	48	43	37	31	26	20		
	72	76	7.9	48	41	34	28	21	-	-	69	8.4	45	38	32	25	18	-	-		
	67	68	7.6	60	54	47	40	34	27	21	60	8.0	56	50	43	37	30	24	17		
2600	62	67	7.5	65	62	57	50	44	37	31	67	8.0	64	59	52	46	39	33	26		
	57	56	7.4	56	56	53	46	40	33	27	49	7.9	49	49	46	40	33	27	20		
	72	78	8.0	53	45	38	30	22	-	-	71	8.4	49	42	34	27	19	-	-		
2925	67	71	7.7	66	59	51	44	36	28	21	61	8.1	61	55	47	39	32	24	17		
	62	69	7.5	69	67	62	54	47	39	31	69	8.0	69	64	57	49	42	34	26		
	57	58	7.5	58	58	58	50	42	35	27	50	7.9	50	50	50	43	35	28	20		
3250	72	78	8.0	57	48	40	31	23	-	-	71	8.5	54	46	37	28	20	-	-		
	67	70	7.7	68	62	54	46	37	28	20	62	8.2	62	58	51	42	33	25	16		
	62	69	7.6	69	68	64	56	47	38	30	69	8.1	69	67	61	53	44	35	27		
3250	57	58	7.5	58	58	58	49	40	32	23	51	8.0	51	51	51	42	33	25	16		
	72	78	8.1	61	52	42	32	23	-	-	71	8.6	59	49	40	30	20	-	-		
	67	70	7.8	70	66	57	48	38	28	19	62	8.3	62	62	55	45	35	25	16		
3250	62	69	7.6	69	69	67	57	48	38	28	70	8.2	70	70	66	56	46	37	27		
	57	57	7.6	57	57	57	48	38	28	19	51	8.1	51	51	51	41	31	22	12		
	Temperature of Air on Condenser Coil 125°F																				
1950	72	62	8.8	38	32	27	21	15	-	-	-	-	-	-	-	-	-	-	-		
	67	51	8.4	48	42	37	31	25	20	14	-	-	-	-	-	-	-	-	-		
	62	67	8.4	57	50	44	39	33	27	22	-	-	-	-	-	-	-	-	-		
2275	57	42	8.3	42	42	37	31	26	20	15	-	-	-	-	-	-	-	-	-		
	72	63	8.8	42	35	29	22	16	-	-	-	-	-	-	-	-	-	-	-		
	67	52	8.4	52	46	40	33	27	20	13	-	-	-	-	-	-	-	-	-		
2600	62	68	8.5	63	56	48	41	35	28	22	-	-	-	-	-	-	-	-	-		
	57	43	8.3	43	43	40	33	27	20	14	-	-	-	-	-	-	-	-	-		
	72	63	8.9	46	39	31	23	16	-	-	-	-	-	-	-	-	-	-	-		
2925	67	52	8.5	52	50	43	35	28	20	12	-	-	-	-	-	-	-	-	-		
	62	69	8.5	69	62	52	44	37	29	21	-	-	-	-	-	-	-	-	-		
	57	43	8.4	43	43	43	35	28	20	13	-	-	-	-	-	-	-	-	-		
3250	72	64	9.0	52	43	34	26	17	-	-	-	-	-	-	-	-	-	-	-		
	67	53	8.6	53	53	47	39	30	21	13	-	-	-	-	-	-	-	-	-		
	62	70	8.6	70	66	58	50	41	32	24	-	-	-	-	-	-	-	-	-		
3250	57	44	8.5	44	44	44	35	26	18	9	-	-	-	-	-	-	-	-	-		
	72	65	9.1	57	47	38	28	18	-	-	-	-	-	-	-	-	-	-	-		
	67	54	8.7	54	54	52	42	32	23	13	-	-	-	-	-	-	-	-	-		
3250	62	71	8.8	71	71	65	55	45	36	26	-	-	-	-	-	-	-	-	-		
	57	44	8.6	44	44	44	34	25	15	5	-	-	-	-	-	-	-	-	-		

\* These capacities are gross ratings. For net capacity, deduct air blower motor, MBH = 3.415 x kW. Refer to the appropriate Blower Performance Table for the kW of the supply air blower motor.

† These ratings include condenser fan motors and the compressor motors but not the supply air blower motor.

TABLE 6: COOLING CAPACITY DM090 (7-1/2 TON) UNIT

Air on Evaporator Coil		Temperature of Air on Condenser Coil																	
		75°F									85°F								
CFM	WB (°F)	Total Cap. (MBH)	Total <sup>†</sup> Input (kW)	Sensible Capacity (MBH) <sup>*</sup> Return Dry Bulb (°F)						Total Cap. (MBH)	Total <sup>†</sup> Input (kW)	Sensible Capacity (MBH) <sup>*</sup> Return Dry Bulb (°F)							
				86	83	80	77	74	71			68	86	83	80	77	74	71	68
2250	72	101.7	7.2	57.5	51.1	44.7	38.3	31.8	-	-	96.7	7.8	55.8	49.4	43.0	36.6	30.1	-	-
	67	96.3	7.1	73.3	66.8	60.4	54.0	47.6	41.2	34.8	90.8	7.6	70.8	64.4	58.0	51.6	45.2	38.8	32.4
	62	89.4	7.0	89.4	80.1	73.7	67.3	60.9	54.4	48.0	83.5	7.5	83.5	77.4	71.0	64.5	58.1	51.7	45.3
	57	88.6	6.9	88.6	85.9	79.5	73.1	66.7	60.3	53.8	83.7	7.5	83.7	81.9	75.5	69.0	62.6	56.2	49.8
2625	72	105.2	7.3	63.7	56.2	48.6	41.0	33.4	-	-	99.9	7.8	61.8	54.2	46.6	39.1	31.5	-	-
	67	99.6	7.2	80.9	73.3	65.7	58.1	50.5	43.0	35.4	93.8	7.7	78.1	70.6	63.0	55.4	47.8	40.2	32.6
	62	92.5	7.0	92.5	87.8	80.1	72.5	65.0	57.4	49.8	86.2	7.5	86.2	83.2	77.0	69.4	61.9	54.3	46.7
	57	91.6	7.0	91.6	90.3	86.5	78.9	71.3	63.7	56.1	86.5	7.5	86.5	85.6	81.9	74.3	66.7	59.2	51.6
3000	72	108.7	7.3	70.0	61.2	52.5	43.7	35.0	-	-	103.1	7.9	67.8	59.1	50.3	41.6	32.8	-	-
	67	102.9	7.2	88.5	79.7	71.0	62.2	53.5	44.7	36.0	96.8	7.8	85.4	76.7	67.9	59.2	50.4	41.7	32.9
	62	95.6	7.1	95.6	95.6	86.6	77.8	69.1	60.3	51.6	89.0	7.6	89.0	89.0	83.1	74.3	65.6	56.8	48.1
	57	94.7	7.0	94.7	94.7	93.4	84.6	75.9	67.2	58.4	89.2	7.6	89.2	89.2	88.4	79.6	70.9	62.1	53.4
3375	72	110.1	7.3	74.1	64.1	54.2	44.2	34.3	-	-	104.4	7.9	72.3	62.4	52.4	42.5	32.5	-	-
	67	104.2	7.2	93.8	83.3	73.3	63.3	53.4	43.4	33.5	98.0	7.8	90.7	80.7	70.8	60.8	50.8	40.9	30.9
	62	96.8	7.1	96.8	96.8	91.1	81.2	71.2	61.2	51.3	90.1	7.6	90.1	90.1	86.6	76.6	66.6	56.7	46.7
	57	95.9	7.1	95.9	95.9	95.2	85.3	75.3	65.4	55.4	90.4	7.6	90.4	90.4	89.9	80.0	70.0	60.0	50.1
3750	72	111.5	7.4	78.3	67.1	55.9	44.7	33.5	-	-	105.7	7.9	76.9	65.7	54.5	43.3	32.2	-	-
	67	105.5	7.2	99.1	86.8	75.6	64.4	53.3	42.1	30.9	99.2	7.8	96.0	84.8	73.6	62.4	51.2	40.1	28.9
	62	98.0	7.1	98.0	98.0	95.7	84.5	73.3	62.1	51.0	91.2	7.6	91.2	91.2	90.0	78.8	67.7	56.5	45.3
	57	97.1	7.1	97.1	97.1	97.1	85.9	74.7	63.6	52.4	91.5	7.6	91.5	91.5	91.5	80.3	69.1	57.9	46.8
		95°F									105°F								
2250	72	91.8	8.4	54.1	47.7	41.3	34.9	28.4	-	-	85.6	9.0	51.6	45.2	38.8	32.3	25.9	-	-
	67	85.3	8.2	68.4	62.0	55.6	49.2	42.8	36.3	29.9	78.0	8.7	65.4	59.0	52.6	46.2	39.8	33.4	26.9
	62	77.5	8.0	77.5	74.6	68.2	61.8	55.4	49.0	42.6	72.4	8.6	72.4	70.5	64.0	57.6	51.2	44.8	38.4
	57	78.9	8.0	78.9	77.8	71.4	65.0	58.6	52.1	45.7	73.2	8.6	73.2	71.7	65.3	58.9	52.5	46.1	39.6
2625	72	94.6	8.4	59.9	52.3	44.7	37.1	29.6	-	-	87.9	9.0	57.1	49.6	42.0	34.4	26.8	-	-
	67	87.9	8.3	75.4	67.8	60.2	52.7	45.1	37.5	29.9	80.1	8.8	71.7	64.6	57.0	49.4	41.8	34.3	26.7
	62	79.9	8.1	79.9	78.5	73.9	66.3	58.8	51.2	43.6	74.3	8.6	74.3	73.3	69.4	61.8	54.2	46.6	39.1
	57	81.3	8.1	81.3	80.8	77.4	69.8	62.2	54.6	47.0	75.2	8.7	75.2	74.4	70.7	63.2	55.6	48.0	40.4
3000	72	97.5	8.5	65.7	56.9	48.2	39.4	30.7	-	-	90.2	9.1	62.7	54.0	45.2	36.5	27.7	-	-
	67	90.6	8.3	82.4	73.6	64.9	56.1	47.4	38.6	29.9	82.1	8.9	78.0	70.1	61.4	52.6	43.9	35.1	26.4
	62	82.3	8.1	82.3	82.3	79.6	70.9	62.1	53.4	44.6	76.2	8.7	76.2	76.2	74.7	66.0	57.2	48.5	39.7
	57	83.8	8.2	83.8	83.8	83.3	74.6	65.8	57.1	48.3	77.1	8.7	77.1	77.1	76.2	67.4	58.7	49.9	41.2
3375	72	98.7	8.5	70.6	60.6	50.7	40.7	30.7	-	-	91.5	9.1	67.7	57.7	47.8	37.8	27.8	-	-
	67	91.7	8.4	87.6	78.2	68.2	58.3	48.3	38.3	28.4	83.3	8.9	81.2	74.8	64.9	54.9	44.9	35.0	25.0
	62	83.3	8.2	83.3	83.3	82.0	72.0	62.1	52.1	42.1	77.3	8.8	77.3	77.3	76.6	66.6	56.6	46.7	36.7
	57	84.8	8.2	84.8	84.8	84.6	74.6	64.7	54.7	44.7	78.2	8.8	78.2	78.2	77.8	67.8	57.8	47.9	37.9
3750	72	99.9	8.5	75.5	64.3	53.1	42.0	30.8	-	-	92.8	9.2	72.7	61.5	50.3	39.2	28.0	-	-
	67	92.8	8.4	92.8	82.7	71.6	60.4	49.2	38.0	26.9	84.5	8.9	84.5	79.4	68.3	57.2	46.0	34.8	23.6
	62	84.4	8.2	84.4	84.4	84.4	73.2	62.0	50.8	39.6	78.4	8.8	78.4	78.4	78.4	67.2	56.1	44.9	33.7
	57	85.9	8.2	85.9	85.9	85.9	74.7	63.5	52.3	41.1	79.3	8.8	79.3	79.3	79.3	68.1	57.0	45.8	34.6
		115°F									125°F								
2250	72	79.5	9.6	49.1	42.6	36.2	29.8	23.4	-	-	73.4	10.1	46.5	40.1	33.7	27.3	20.9	-	-
	67	70.7	9.3	62.5	56.0	49.6	43.2	36.8	30.4	24.0	63.4	9.8	59.5	53.1	46.6	40.2	33.8	27.4	21.0
	62	67.3	9.1	67.3	66.3	59.9	53.4	47.0	40.6	34.2	62.2	9.7	62.2	62.1	55.7	49.2	42.8	36.4	30.0
	57	67.6	9.1	67.6	65.6	59.2	52.8	46.4	40.0	33.5	61.9	9.7	61.9	59.5	53.1	46.7	40.3	33.9	27.4
2625	72	81.2	9.6	54.4	46.8	39.2	31.7	24.1	-	-	74.5	10.2	51.7	44.1	36.5	28.9	21.3	-	-
	67	72.2	9.4	68.1	61.3	53.8	46.2	38.6	31.0	23.4	64.3	9.9	64.3	58.1	50.5	42.9	35.4	27.8	20.2
	62	68.7	9.2	68.7	68.2	64.8	57.3	49.7	42.1	34.5	63.1	9.8	63.1	63.0	60.3	52.7	45.1	37.6	30.0
	57	69.0	9.2	69.0	68.0	64.1	56.6	49.0	41.4	33.8	62.8	9.8	62.8	61.6	57.5	49.9	42.4	34.8	27.2
3000	72	82.9	9.7	59.8	51.0	42.3	33.5	24.8	-	-	75.5	10.3	56.8	48.1	39.3	30.6	21.8	-	-
	67	73.7	9.5	73.7	66.6	57.9	49.1	40.4	31.6	22.9	65.2	10.0	65.2	63.2	54.4	45.7	36.9	28.2	19.4
	62	70.1	9.3	70.1	70.1	69.8	61.1	52.3	43.6	34.8	64.0	9.9	64.0	64.0	64.0	56.2	47.4	38.7	29.9
	57	70.4	9.3	70.4	70.4	69.1	60.3	51.6	42.8	34.1	63.7	9.9	63.7	63.7	62.0	53.2	44.5	35.7	27.0
3375	72	84.3	9.8	64.8	54.9	44.9	34.9	25.0	-	-	77.0	10.4	61.9	52.0	42.0	32.1	22.1	-	-
	67	74.9	9.5	74.9	71.4	61.5	51.5	41.6	31.6	21.6	66.5	10.0	66.5	66.5	58.1	48.2	38.2	28.2	18.3
	62	71.3	9.3	71.3	71.3	71.2	61.2	51.2	41.3	31.3	65.3	9.9	65.3	65.3	65.3	55.8	45.8	35.8	25.9
	57	71.6	9.3	71.6	71.6	70.9	61.0	51.0	41.0	31.1	65.0	9.9	65.0	65.0	64.1	54.1	44.2	34.2	24.2
3750	72	85.7	9.8	69.9	58.7	47.5	36.3	25.2	-	-	78.6	10.4	67.1	55.9	44.7	33.5	22.4	-	-
	67	76.1	9.5	76.1	76.1	65.1	53.9	42.7	31.6	20.4	67.8	10.1	67.8	67.8	61.9	50.7	39.5	28.3	17.2
	62	72.5	9.4	72.5	72.5	72.5	61.3	50.1	38.9	27.8	66.5	10.0	66.5	66.5	66.5	55.4	44.2	33.0	21.8
	57	72.8	9.4	72.8	72.8	72.8	61.6	50.4	39.3	28.1	66.2	9.9	66.2	66.2	66.2	55.1	43.9	32.7	21.5

\* The capacities are gross ratings. For net capacity, deduct indoor blower motor, MBH=3.415 x kW. Refer to the appropriate Blower Performance table for the kW of the supply air blower motor.

† These ratings include the condenser fan motors (total 1 kW) and the compressor motors but not the supply air blower motor.

**TABLE 7: COOLING CAPACITY DM102 (8-1/2 TON) UNIT**

Air on Evaporator Coil		Temperature of Air on Condenser Coil																	
		75°F									85°F								
		CFM	WB (°F)	Total Cap.* (MBH)	Total† Input (kW)	Sensible Capacity (MBH)* Return Dry Bulb (°F)							Total Cap.* (MBH)	Total† Input (kW)	Sensible Capacity (MBH)* Return Dry Bulb (°F)				
86	83					80	77	74	71	68	86	83			80	77	74	71	68
2550	72	123.8	7.4	68.9	61.6	54.3	47.1	39.8	-	-	114.8	8.0	65.3	58.0	50.8	43.5	36.2	-	-
	67	112.4	7.3	85.2	78.0	70.7	63.4	56.2	48.9	41.6	104.3	7.9	81.9	74.6	67.3	60.1	52.8	45.5	38.3
	62	106.9	7.1	106.9	95.5	88.1	80.8	73.5	66.3	59.0	96.4	7.7	96.4	90.7	83.5	76.2	68.9	61.6	54.4
	57	99.3	7.1	99.3	98.9	91.5	84.2	76.9	69.7	62.4	93.2	7.7	93.2	92.9	85.7	78.4	71.1	63.9	56.6
2975	72	127.6	7.4	75.6	67.0	58.5	49.9	41.3	-	-	118.7	8.1	72.0	63.4	54.8	46.2	37.6	-	-
	67	115.9	7.3	93.2	84.6	76.0	67.4	58.8	50.2	41.7	107.8	7.9	89.9	81.3	72.7	64.1	55.5	46.9	38.3
	62	110.3	7.2	110.3	104.6	94.7	86.1	77.5	69.0	60.4	99.7	7.7	99.7	96.9	90.1	81.5	72.9	64.3	55.7
	57	102.4	7.1	102.4	102.2	98.4	89.8	81.2	72.6	64.0	96.3	7.8	96.3	96.2	92.5	83.9	75.3	66.7	58.1
3400	72	131.5	7.5	82.4	72.5	62.6	52.6	42.7	-	-	122.6	8.2	78.7	68.7	58.8	48.9	39.0	-	-
	67	119.4	7.4	101.2	91.3	81.3	71.4	61.5	51.6	41.7	111.3	8.0	97.9	88.0	78.0	68.1	58.2	48.3	38.4
	62	113.7	7.2	113.7	113.7	101.4	91.5	81.5	71.6	61.7	103.0	7.8	103.0	103.0	96.7	86.8	76.9	67.0	57.1
	57	105.5	7.2	105.5	105.5	105.3	95.4	85.5	75.5	65.6	99.5	7.8	99.5	99.5	99.3	89.4	79.5	69.5	59.6
3825	72	134.7	7.5	88.7	77.5	66.2	54.9	43.6	-	-	125.2	8.2	85.0	73.7	62.4	51.1	39.8	-	-
	67	122.3	7.4	110.0	97.3	86.0	74.7	63.4	52.1	40.9	113.7	8.0	105.4	94.1	82.8	71.5	60.2	48.9	37.6
	62	116.4	7.3	116.4	116.4	110.3	99.0	87.7	76.4	65.1	105.2	7.8	105.2	105.2	102.1	90.8	79.5	68.2	56.9
	57	108.1	7.3	108.1	108.1	108.0	96.7	85.4	74.1	62.8	101.6	7.9	101.6	101.6	101.5	90.2	78.9	67.6	56.4
4250	72	137.9	7.6	95.1	82.4	69.8	57.1	44.4	-	-	127.8	8.3	91.3	78.7	66.0	53.3	40.7	-	-
	67	125.3	7.5	118.8	103.4	90.7	78.0	65.4	52.7	40.0	116.1	8.1	112.9	100.2	87.6	74.9	62.2	49.6	36.9
	62	119.2	7.3	119.2	119.2	119.2	106.5	93.8	81.2	68.5	107.4	7.9	107.4	107.4	107.4	94.8	82.1	69.4	56.8
	57	110.7	7.3	110.7	110.7	110.7	98.0	85.3	72.6	60.0	103.8	7.9	103.8	103.8	103.8	91.1	78.4	65.8	53.1
		95°F									105°F								
2550	72	105.8	8.7	61.7	54.5	47.2	39.9	32.6	-	-	96.9	9.4	58.0	50.8	43.5	36.2	29.0	-	-
	67	96.1	8.5	78.5	71.3	64.0	56.7	49.5	42.2	34.9	86.6	9.1	74.3	67.0	59.7	52.5	45.2	37.9	30.7
	62	86.0	8.3	86.0	86.0	78.8	71.6	64.3	57.0	49.7	79.4	8.9	79.4	78.9	71.7	64.4	57.1	49.9	42.6
	57	87.0	8.3	87.0	87.0	79.9	72.6	65.3	58.1	50.8	79.5	8.9	79.5	79.4	72.2	65.0	57.7	50.4	43.2
2975	72	109.7	8.8	68.3	59.7	51.1	42.5	34.0	-	-	100.5	9.4	64.6	56.0	47.4	38.8	30.2	-	-
	67	99.7	8.5	86.6	78.0	69.4	60.8	52.2	43.6	35.0	89.8	9.1	81.5	73.7	65.1	56.5	47.9	39.3	30.7
	62	89.1	8.3	89.1	89.1	85.4	76.8	68.3	59.7	51.1	82.3	9.0	82.3	82.1	78.1	69.5	60.9	52.3	43.7
	57	90.2	8.4	90.2	90.2	86.6	78.0	69.4	60.8	52.2	82.5	9.0	82.5	82.4	78.7	70.1	61.5	52.9	44.3
3400	72	113.6	8.8	74.9	65.0	55.1	45.2	35.3	-	-	104.0	9.5	71.1	61.2	51.3	41.3	31.4	-	-
	67	103.2	8.6	94.6	84.7	74.7	64.8	54.9	45.0	35.1	93.0	9.2	88.7	80.3	70.4	60.5	50.6	40.7	30.8
	62	92.3	8.4	92.3	92.3	92.1	82.1	72.2	62.3	52.4	85.3	9.0	85.3	85.3	84.5	74.6	64.6	54.7	44.8
	57	93.5	8.4	93.5	93.5	93.3	83.4	73.5	63.5	53.6	85.4	9.1	85.4	85.4	85.1	75.2	65.3	55.4	45.5
3825	72	115.7	8.9	81.2	70.0	58.7	47.4	36.1	-	-	105.6	9.5	77.4	66.1	54.8	43.5	32.2	-	-
	67	105.1	8.6	100.8	90.9	79.6	68.3	57.0	45.7	34.4	94.5	9.2	92.3	85.7	75.3	64.0	52.7	41.4	30.1
	62	94.0	8.4	94.0	94.0	93.9	82.6	71.3	60.0	48.7	86.6	9.1	86.6	86.6	86.2	74.9	63.6	52.3	41.0
	57	95.2	8.5	95.2	95.2	95.1	83.8	72.5	61.2	49.9	86.7	9.1	86.7	86.7	86.6	75.3	64.0	52.7	41.4
4250	72	117.7	8.9	87.6	74.9	62.2	49.6	36.9	-	-	107.3	9.6	83.7	71.0	58.3	45.7	33.0	-	-
	67	107.0	8.7	107.0	97.1	84.4	71.8	59.1	46.4	33.7	95.9	9.3	95.9	91.0	80.2	67.5	54.8	42.1	29.5
	62	95.7	8.5	95.7	95.7	95.7	83.0	70.4	57.7	45.0	87.9	9.1	87.9	87.9	87.9	75.3	62.6	49.9	37.3
	57	96.9	8.5	96.9	96.9	96.9	84.2	71.5	58.9	46.2	88.1	9.1	88.1	88.1	88.1	75.4	62.7	50.1	37.4
		115°F									125°F								
2550	72	88.0	10.0	54.3	47.1	39.8	32.5	25.3	-	-	79.1	10.7	50.7	43.4	36.1	28.8	21.6	-	-
	67	77.2	9.7	70.0	62.8	55.5	48.2	40.9	33.7	26.4	67.7	10.2	65.8	58.5	51.2	44.0	36.7	29.4	22.1
	62	72.9	9.6	72.9	71.8	64.5	57.3	50.0	42.7	35.5	66.3	10.2	66.3	64.7	57.4	50.1	42.9	35.6	28.3
	57	72.1	9.6	72.1	71.9	64.6	57.3	50.1	42.8	35.5	64.6	10.2	64.6	64.3	57.0	49.7	42.4	35.2	27.9
2975	72	91.2	10.1	60.8	52.2	43.6	35.0	26.4	-	-	82.0	10.7	57.0	48.4	39.8	31.3	22.7	-	-
	67	80.0	9.7	76.4	69.4	60.8	52.2	43.6	35.0	26.4	70.2	10.3	70.2	65.1	56.5	47.9	39.3	30.7	22.1
	62	75.5	9.6	75.5	75.0	70.7	62.1	53.5	44.9	36.3	68.7	10.2	68.7	68.0	63.4	54.8	46.2	37.6	29.0
	57	74.7	9.6	74.7	74.6	70.8	62.2	53.6	45.0	36.4	67.0	10.2	67.0	66.8	62.9	54.3	45.7	37.1	28.5
3400	72	94.5	10.1	67.2	57.3	47.4	37.5	27.6	-	-	84.9	10.8	63.4	53.5	43.6	33.7	23.7	-	-
	67	82.8	9.8	82.8	76.0	66.1	56.2	46.3	36.4	26.4	72.6	10.4	72.6	71.7	61.8	51.9	41.9	32.0	22.1
	62	78.2	9.7	78.2	78.2	76.9	67.0	57.1	47.1	37.2	71.2	10.3	71.2	71.2	69.3	59.4	49.5	39.6	29.6
	57	77.4	9.7	77.4	77.4	77.0	67.1	57.1	47.2	37.3	69.3	10.3	69.3	69.3	68.8	58.9	49.0	39.1	29.2
3825	72	95.6	10.2	73.5	62.2	50.9	39.6	28.3	-	-	85.6	10.9	69.6	58.3	47.1	35.8	24.5	-	-
	67	83.9	9.8	83.9	80.4	71.0	59.7	48.4	37.1	25.8	73.2	10.4	73.2	73.2	66.7	55.4	44.1	32.8	21.5
	62	79.2	9.7	79.2	79.2	78.5	67.2	55.9	44.6	33.4	71.8	10.4	71.8	71.8	70.8	59.6	48.3	37.0	25.7
	57	78.3	9.7	78.3	78.3	78.1	66.8	55.5	44.3	33.0	69.9	10.4	69.9	69.9	69.7	58.4	47.1	35.8	24.5
4250	72	96.8	10.2	79.8	67.1	54.4	41.8	29.1	-	-	86.3	10.9	75.9	63.2	50.5	37.9	25.2	-	-
	67	84.9	9.9	84.9	84.9	75.9	63.2	50.5	37.9	25.2	73.8	10.5	73.8	73.8	71.6	58.9	46.3	33.6	20.9
	62	80.2	9.8	80.2	80.2	80.2	67.5	54.8	42.1	29.5	72.4	10.4	72.4	72.4	72.4	59.7	47.0	34.4	21.7
	57	79.3	9.8	79.3	79.3	79.3	66.6	53.9	41.3	28.6	70.5	10.4	70.5	70.5	70.5	57.8	45.1	32.5	19.8

\* The capacities are gross ratings. For net capacity, deduct indoor blower motor, MBH=3.415 x kW. Refer to the appropriate Blower Performance table for the kW of the supply air blower motor.

† These ratings include the condenser fan motors (total 1 kW) and the compressor motors but not the supply air blower motor.

**TABLE 8: COOLING CAPACITY DM120 (10 TON) UNIT**

Air On Evap. Coil		Temperature of Air on Condenser Coil 85°F									Temperature of Air on Condenser Coil 95°F										
CFM	WB (°F)	Tot. Cap.* (MBH)	Tot. Input† (kW)	Sensible Capacity (MBH) <sup>*</sup> Return Dry Bulb (°F)								Tot. Cap.* (MBH)	Tot. Input† (kW)	Sensible Capacity (MBH) <sup>*</sup> Return Dry Bulb (°F)							
				86	83	80	77	74	71	68	86			83	80	77	74	71	68		
3000	72	132	11.0	76	68	59	50	42	-	-	125	11.7	74	65	57	48	40	-	-		
	67	124	10.7	96	87	79	70	62	53	45	116	11.4	93	84	75	67	58	50	41		
	62	116	10.5	115	106	98	89	81	72	64	106	11.1	106	100	91	82	74	65	57		
	57	110	10.3	110	109	101	92	83	75	66	106	11.1	106	103	95	86	78	69	61		
3500	72	135	11.1	83	73	63	53	43	-	-	129	11.8	82	72	62	52	41	-	-		
	67	127	10.8	104	94	84	74	64	54	44	120	11.5	102	92	82	72	62	52	42		
	62	119	10.6	118	114	105	95	84	74	64	110	11.2	110	106	99	89	79	69	58		
	57	112	10.4	112	112	108	98	87	77	67	109	11.2	109	108	103	93	83	73	63		
4000	72	138	11.2	91	79	67	56	44	-	-	133	12.0	90	78	67	55	43	-	-		
	67	130	10.9	113	101	90	78	66	55	43	124	11.7	112	100	89	77	65	54	42		
	62	121	10.7	121	121	111	100	88	76	65	113	11.3	113	113	107	95	84	72	60		
	57	115	10.5	115	115	115	103	91	80	68	113	11.3	113	113	111	100	88	76	65		
4500	72	141	11.3	98	85	71	58	45	-	-	135	12.0	96	83	70	56	43	-	-		
	67	132	11.0	122	108	95	82	69	55	42	126	11.7	119	106	92	79	66	53	39		
	62	124	10.7	124	124	118	105	92	78	65	115	11.4	115	115	112	98	85	72	58		
	57	117	10.5	117	117	117	104	90	77	64	115	11.4	115	115	114	101	88	74	61		
5000	72	144	11.3	105	90	75	60	45	-	-	138	12.1	102	87	72	58	43	-	-		
	67	135	11.0	130	116	101	86	71	56	41	128	11.8	126	111	96	81	67	52	37		
	62	126	10.8	126	126	125	110	95	80	65	117	11.5	117	117	116	101	86	71	57		
	57	119	10.6	119	119	119	105	90	75	60	117	11.5	117	117	117	102	87	72	57		
		Temperature of Air on Condenser Coil 105°F									Temperature of Air on Condenser Coil 115°F										
3000	72	117	12.4	70	62	53	45	36	-	-	109	13.1	67	58	50	41	33	-	-		
	67	107	12.0	89	80	71	63	54	46	37	97	12.5	85	76	67	59	50	42	33		
	62	97	11.6	97	94	85	77	68	60	51	88	12.2	88	88	80	71	62	54	45		
	57	98	11.7	98	96	88	79	71	62	54	91	12.3	91	89	81	72	64	55	46		
3500	72	121	12.5	78	68	58	48	38	-	-	113	13.2	75	64	54	44	34	-	-		
	67	110	12.1	98	88	78	68	57	47	37	100	12.6	94	83	73	63	53	43	33		
	62	100	11.7	100	99	93	83	73	62	52	91	12.3	91	91	87	76	66	56	46		
	57	102	11.8	102	100	95	85	75	65	55	94	12.4	94	93	88	78	67	57	47		
4000	72	124	12.7	86	74	63	51	39	-	-	116	13.4	82	70	59	47	35	-	-		
	67	113	12.2	107	96	84	72	61	49	37	103	12.8	103	91	79	68	56	44	33		
	62	103	11.9	103	103	100	89	77	65	54	94	12.4	94	94	94	82	70	59	47		
	57	105	11.9	105	105	103	91	80	68	56	97	12.5	97	97	95	83	71	60	48		
4500	72	127	12.8	93	79	66	53	39	-	-	119	13.5	89	76	63	49	36	-	-		
	67	116	12.3	112	102	88	75	62	49	35	106	12.9	106	98	84	71	58	45	31		
	62	106	12.0	106	106	104	91	77	64	51	96	12.5	96	96	96	83	70	56	43		
	57	107	12.0	107	107	106	93	80	66	53	99	12.6	99	99	98	85	72	59	45		
5000	72	130	12.9	99	84	69	54	40	-	-	123	13.6	96	81	66	51	37	-	-		
	67	119	12.4	117	108	93	78	63	48	33	109	13.0	109	104	90	75	60	45	30		
	62	108	12.1	108	108	107	93	78	63	48	99	12.7	99	99	99	84	69	54	39		
	57	110	12.1	110	110	110	95	80	65	50	102	12.7	102	102	102	87	72	57	42		
		Temperature of Air on Condenser Coil 125°F																			
3000	72	101	13.8	64	55	46	38	29	-	-											
	67	87	13.0	80	72	63	55	46	38	29											
	62	79	12.7	79	79	74	65	57	48	40											
	57	83	12.9	83	82	74	65	56	48	39											
3500	72	105	14.0	71	61	51	40	30	-	-											
	67	90	13.2	89	79	69	59	49	39	29											
	62	81	12.9	81	81	80	70	60	50	40											
	57	86	13.0	86	85	80	70	60	50	40											
4000	72	108	14.1	78	66	55	43	31	-	-											
	67	92	13.3	92	86	75	63	51	40	28											
	62	84	13.0	84	84	84	75	64	52	40											
	57	88	13.1	88	88	87	75	63	52	40											
4500	72	112	14.2	86	72	59	46	32	-	-											
	67	96	13.4	96	94	80	67	54	41	27											
	62	87	13.1	87	87	87	75	62	49	35											
	57	91	13.2	91	91	90	77	64	51	37											
5000	72	115	14.4	93	78	63	48	33	-	-											
	67	99	13.6	99	99	86	71	56	41	27											
	62	89	13.3	89	89	89	75	60	45	30											
	57	94	13.4	94	94	94	79	65	50	35											

\* These capacities are gross ratings. For net capacity, deduct air blower motor, MBH = 3.415 x kW. Refer to the appropriate Blower Performance Table for the kW of the supply air blower motor.

† These ratings include condenser fan motors and the compressor motors but not the supply air blower motor.



**TABLE 9: COOLING CAPACITY DM150 (12-1/2 TON) UNIT**

Air On Evap. Coil		Temperature of Air on Condenser Coil 85°F									Temperature of Air on Condenser Coil 95°F										
CFM	WB (°F)	Tot. Cap.* (MBH)	Tot. Input† (kW)	Sensible Capacity (MBH)* Return Dry Bulb (°F)								Tot. Cap.* (MBH)	Tot. Input† (kW)	Sensible Capacity (MBH)* Return Dry Bulb (°F)							
				86	83	80	77	74	71	68	86			83	80	77	74	71	68		
3750	72	154	12.0	93	82	71	61	50	39	29	151	13.4	91	80	70	59	48	38	27		
	67	152	11.8	122	112	101	90	79	69	58	147	13.1	120	109	98	88	77	66	56		
	62	145	11.6	145	138	128	117	106	96	85	138	13.0	138	134	123	112	101	91	80		
4375	57	144	11.6	144	143	133	122	111	101	90	138	13.0	138	137	126	116	105	94	84		
	72	158	12.0	101	89	76	63	51	38	26	155	13.5	100	87	75	62	50	37	24		
	67	156	11.8	133	120	107	95	82	70	57	150	13.2	131	118	106	93	80	68	55		
5000	62	148	11.7	148	145	136	123	111	98	85	142	13.0	142	139	132	119	107	94	81		
	57	147	11.7	147	147	141	129	116	104	91	142	13.0	142	141	136	123	111	98	85		
	72	161	12.1	110	95	81	66	52	37	22	158	13.5	109	95	80	65	51	36	22		
5625	67	159	11.8	143	129	114	99	85	70	56	154	13.2	142	128	113	98	84	69	55		
	62	151	11.7	151	151	144	130	115	101	86	145	13.1	145	145	141	126	112	97	83		
	57	150	11.7	150	150	150	136	121	106	92	145	13.1	145	145	145	131	116	101	87		
6250	72	161	12.1	116	99	83	66	49	33	16	157	13.5	115	99	82	66	49	32	16		
	67	158	11.9	150	133	117	100	83	67	50	153	13.2	147	133	116	100	83	66	50		
	62	151	11.7	151	151	147	131	114	97	81	144	13.1	144	144	142	126	109	92	76		
6250	57	150	11.7	150	150	150	133	116	100	83	144	13.1	144	144	144	128	111	94	78		
	72	160	12.1	122	103	84	66	47	28	10	157	13.5	122	103	84	66	47	28	10		
	67	158	11.9	156	138	119	100	82	63	45	152	13.2	152	138	119	101	82	63	45		
6250	62	150	11.7	150	150	150	132	113	94	76	143	13.1	143	143	143	125	106	88	69		
	57	149	11.7	149	149	149	130	112	93	74	143	13.0	143	143	143	125	106	88	69		
	Temperature of Air on Condenser Coil 105°F									Temperature of Air on Condenser Coil 115°F											
3750	72	144	15.1	88	77	66	56	45	34	24	138	16.7	85	74	63	53	42	31	21		
	67	139	14.7	117	106	96	85	74	63	53	131	16.2	114	103	93	82	71	61	50		
	62	130	14.5	130	126	115	104	94	83	72	122	16.0	122	118	107	97	86	75	65		
4375	57	130	14.5	130	128	117	106	96	85	74	122	16.1	122	118	108	97	86	75	65		
	72	148	15.1	98	85	72	60	47	34	22	142	16.8	95	82	70	57	44	32	19		
	67	143	14.8	129	117	104	91	79	66	53	135	16.4	127	115	102	89	77	64	51		
5000	62	134	14.6	134	131	125	113	100	87	75	126	16.1	126	124	118	106	93	80	68		
	57	134	14.6	134	132	127	114	102	89	77	126	16.2	126	124	118	106	93	81	68		
	72	152	15.2	107	93	78	63	49	34	20	146	16.9	105	91	76	61	47	32	18		
5625	67	147	14.9	141	127	112	98	83	68	54	139	16.5	139	126	111	97	82	68	53		
	62	137	14.6	137	137	135	121	106	91	77	129	16.2	129	129	129	115	100	85	71		
	57	137	14.7	137	137	137	123	108	93	79	129	16.3	129	129	129	115	100	86	71		
6250	72	151	15.3	113	96	80	63	47	30	13	144	17.0	111	94	77	61	44	28	11		
	67	145	14.9	142	131	115	98	82	65	48	137	16.6	137	130	113	97	80	64	47		
	62	136	14.7	136	136	135	118	102	85	68	127	16.3	127	127	127	111	94	78	61		
6250	57	136	14.7	136	136	136	119	103	86	69	127	16.4	127	127	127	111	94	78	61		
	72	149	15.3	119	100	82	63	44	26	7	142	17.0	116	97	79	60	42	23	4		
	67	144	14.9	144	136	117	99	80	61	43	135	16.6	135	134	115	97	78	59	41		
6250	62	134	14.7	134	134	134	116	97	79	60	125	16.3	125	125	125	107	88	70	51		
	57	135	14.7	135	135	135	116	97	79	60	126	16.4	126	126	126	107	88	70	51		
	Temperature of Air on Condenser Coil 125°F									Temperature of Air on Condenser Coil 125°F											
3750	72	131	18.3	81	71	60	49	39	28	17											
	67	124	17.8	111	100	90	79	68	58	47											
	62	114	17.5	114	110	100	89	78	68	57											
4375	57	114	17.6	114	109	98	87	77	66	55											
	72	136	18.4	92	80	67	54	42	29	17											
	67	128	18.0	124	113	100	88	75	62	50											
5000	62	117	17.6	117	116	112	99	86	74	61											
	57	118	17.8	118	115	110	97	85	72	59											
	72	140	18.6	103	89	74	60	45	30	16											
5625	67	132	18.2	132	125	111	96	81	67	52											
	62	121	17.8	121	121	121	109	94	80	65											
	57	121	18.0	121	121	121	107	92	78	63											
6250	72	137	18.7	108	92	75	58	42	25	9											
	67	129	18.2	129	129	112	95	79	62	46											
	62	119	17.9	119	119	119	103	87	70	53											
6250	57	119	18.0	119	119	119	102	86	69	53											
	72	134	18.8	113	95	76	57	39	20	2											
	67	127	18.3	127	127	113	95	76	58	39											
6250	62	117	18.0	117	117	117	98	79	61	42											
	57	117	18.1	117	117	117	98	79	61	42											

\* These capacities are gross ratings. For net capacity, deduct air blower motor, MBH = 3.415 x kW. Refer to the appropriate Blower Performance Table for the kW of the supply air blower motor.

† These ratings include condenser fan motors and the compressor motors but not the supply air blower motor.

**TABLE 10: ELECTRICAL DATA DM078 (6-1/2 TON) STD EFFICIENCY W/O PWRD CONVENIENCE OUTLET**

Voltage	Compressors		OD Fan Motors	Supply Blower Motor FLA		Pwr Exh Motor	Pwr Conv Outlet	Electric Heater Model No.	Actual KW	Heater Amps	Min. Circuit Ampacity (Amps)		MCA w/Power Exhaust (Amps)		Max Fuse* Size (Amps)		Max Fuse* Size w/Power Exhaust (Amps)	
	RLA ea.	LRA ea.	FLA ea.	1.5 HP	2 HP	FLA	FLA				1.5 HP	2 HP	1.5 HP	2 HP	1.5 HP	2 HP	1.5 HP	2 HP
	208	12.8	110.0	1.5	6.2	8.2	5.5				0.0	None	--	--	38.0	40.0	43.5	45.5
								2TP04520925	6.8	18.9	38.0	40.0	43.5	45.5	50	50	50	50
								2TP04521825	13.5	37.5	54.6	57.1	61.5	64.0	60	60	70	70
								2TP04522425	18	50.0	70.2	72.7	77.1	79.6	80	80	80	80
								2TP04523625	25.5	70.8	96.2	98.7	103.1	105.6	100	100	110	110
230	12.8	110.0	1.5	6.2	8.2	5.5	0.0	None	--	--	38.0	40.0	43.5	45.5	50	50	50	50
								2TP04520925	9	21.7	38.0	40.0	43.5	45.5	50	50	50	50
								2TP04521825	18	43.3	61.9	64.4	68.8	71.3	70	70	70	80
								2TP04522425	24	57.7	79.9	82.4	86.8	89.3	80	90	90	90
								2TP04523625	34	81.8	110.0	112.5	116.9	119.4	110	125	125	125
460	7.1	54.0	0.8	3.1	4.1	2.2	0.0	None	--	--	20.7	21.7	22.9	23.9	25	25	25	30
								2TP04520946	9	11.3	20.7	21.7	22.9	23.9	25	25	25	30
								2TP04521846	18	22.6	30.9	32.2	33.7	34.9	35	35	35	35
								2TP04522446	24	30.1	40	41.2	42.7	44	40	45	45	45
								2TP04523646	34	42.7	55	56.2	57.7	59	60	60	60	60
575	5.1	44.0	0.6	2.4	3.6	1.8	0.0	None	--	--	15.1	16.3	16.9	18.1	20	20	20	20
								2TP04520958	9	9.0	15.1	16.3	16.9	18.1	20	20	20	20
								2TP04521858	18	18.1	24.7	26.2	26.9	28.4	25	30	30	30
								2TP04522458	24	24.1	31.9	33.4	34.1	35.6	35	35	35	40
								2TP04523658	34	34.1	43.9	45.4	46.1	47.6	45	50	50	50

\* Maximum HACR breaker of the same AMP size is applicable.

**TABLE 11: ELECTRICAL DATA DM078 (6-1/2 TON) STD EFFICIENCY WITH PWRD CONVENIENCE OUTLET**

Voltage	Compressors		OD Fan Motors	Supply Blower Motor FLA		Pwr Exh Motor	Pwr Conv Outlet	Electric Heater Model No.	Actual KW	Heater Amps	Min. Circuit Ampacity (Amps)		MCA w/Power Exhaust (Amps)		Max Fuse* Size (Amps)		Max Fuse* Size w/Power Exhaust (Amps)	
	RLA ea.	LRA ea.	FLA ea.	1.5 HP	2 HP	FLA	FLA				1.5 HP	2 HP	1.5 HP	2 HP	1.5 HP	2 HP	1.5 HP	2 HP
	208	12.8	110.0	1.5	6.2	8.2	5.5				10.0	None	--	--	48.0	50.0	53.5	55.5
								2TP04520925	6.8	18.9	48.0	50.0	53.5	55.5	60	60	60	60
								2TP04521825	13.5	37.5	67.1	69.6	74.0	76.5	70	70	80	80
								2TP04522425	18	50.0	82.7	85.2	89.6	92.1	90	90	90	100
								2TP04523625	25.5	70.8	108.7	111.2	115.6	118.1	110	125	125	125
230	12.8	110.0	1.5	6.2	8.2	5.5	10.0	None	--	--	48.0	50.0	53.5	55.5	60	60	60	60
								2TP04520925	9	21.7	48.0	50.0	54.2	56.7	60	60	60	60
								2TP04521825	18	43.3	74.4	76.9	81.3	83.8	80	80	90	90
								2TP04522425	24	57.7	92.4	94.9	99.3	101.8	100	100	100	110
								2TP04523625	34	81.8	122.5	125.0	129.4	131.9	125	125	150	150
460	7.1	54.0	0.8	3.1	4.1	2.2	5.0	None	--	--	25.7	26.7	27.9	28.9	30	30	30	35
								2TP04520946	9	11.3	25.7	26.7	27.9	28.9	30	30	30	35
								2TP04521846	18	22.6	37.2	38.4	39.9	41.2	40	40	40	45
								2TP04522446	24	30.1	46.2	47.5	49	50.2	50	50	50	60
								2TP04523646	34	42.7	61.2	62.5	64	65.2	70	70	70	70
575	5.1	44.0	0.6	2.4	3.6	1.8	4.0	None	--	--	19.1	20.3	20.9	22.1	20	25	25	25
								2TP04520958	9	9.0	19.1	20.3	21.1	22.6	20	25	25	25
								2TP04521858	18	18.1	29.7	31.2	31.9	33.4	30	35	35	35
								2TP04522458	24	24.1	36.9	38.4	39.1	40.6	40	40	40	45
								2TP04523658	34	34.1	48.9	50.4	51.1	52.6	50	60	60	60

\* Maximum HACR breaker of the same AMP size is applicable.

**TABLE 12: ELECTRICAL DATA - DM090 (7-1/2 TON) STANDARD EFFICIENCY W/O PWRD CONV. OUTLET**

Voltage	Compressors		OD Fan Motors	Supply Blower Motor FLA		Pwr Exh Motor	Pwr Conv Outlet	Electric Heater Model No.	Actual KW	Heater Amps	Min. Circuit Ampacity (Amps)		MCA w/Power Exhaust (Amps)		Max Fuse* Size (Amps)		Max Fuse Size w/Power Exhaust (Amps)			
	RLA	LRA	FLA	2 HP	3 HP	FLA	FLA				2 HP	3 HP	2 HP	3 HP	2 HP	3 HP	2 HP	3 HP		
	ea.	ea.	ea.																	
208	11.5	84.0	3.5	8.2	10.9	5.5	0.0	None	--	--	41.1	43.8	46.6	49.3	50	50	50	60		
								2TP04540925	6.8	18.9	41.1	43.8	46.6	49.3	50	50	50	50	60	60
								2TP04541825	13.5	37.5	57.1	60.5	64.0	67.3	60	70	70	70	70	70
								2TP04542425	18.0	50.0	72.7	76.1	79.6	83.0	80	80	80	80	80	90
								2TP04543625	25.5	70.8	98.7	102.1	105.6	109.0	100	110	110	110	110	110
230	11.5	84.0	3.5	8.2	10.9	5.5	0.0	None	--	--	41.1	43.8	46.6	49.3	50	50	50	60		
								2TP04540925	9.0	21.7	41.1	43.8	46.6	49.3	50	50	50	50	60	
								2TP04541825	18.0	43.3	64.4	67.8	71.3	74.6	70	70	80	80	80	80
								2TP04542425	24.0	57.7	82.4	85.8	89.3	92.7	90	90	90	90	100	100
								2TP04543625	34.0	81.8	112.5	115.9	119.4	122.7	125	125	125	125	125	125
460	6.4	42.0	1.6	4.1	5.3	2.2	0.0	None	--	--	21.7	22.9	23.9	25.1	25	25	30	30		
								2TP04540946	9	11.3	21.7	22.9	23.9	25.1	25	25	30	30	30	
								2TP04541846	18	22.6	32.2	33.7	34.9	36.4	35	35	35	40	40	
								2TP04542446	24	30.1	41.2	42.7	44	45.5	45	45	45	50	50	
								2TP04543646	34	42.7	56.2	57.7	59	60.5	60	60	60	70	70	
575	5.1	34.0	1.3	3.6	4.1	1.8	0.0	None	--	--	17.7	18.2	19.5	20	20	20	20	25		
								2TP04540958	9	9.0	17.7	18.2	19.5	20	20	20	20	20	25	
								2TP04541858	18	18.1	26.2	26.8	28.4	29	30	30	30	30	30	
								2TP04542458	24	24.1	33.4	34	35.6	36.2	35	35	40	40	40	
								2TP04543658	34	34.1	45.4	46	47.6	48.3	50	50	50	50	50	

**TABLE 13: ELECTRICAL DATA - DM090 (7-1/2 TON) STANDARD EFFICIENCY W/PWRD CONV. OUTLET**

Voltage	Compressors		OD Fan Motors	Supply Blower Motor FLA		Pwr Exh Motor	Pwr Conv Outlet	Electric Heater Model No.	Actual KW	Heater Amps	Min. Circuit Ampacity (Amps)		MCA w/Power Exhaust (Amps)		Max Fuse* Size (Amps)		Max Fuse Size w/Power Exhaust (Amps)			
	RLA	LRA	FLA	2 HP	3 HP	FLA	FLA				2 HP	3 HP	2 HP	3 HP	2 HP	3 HP	2 HP	3 HP		
	ea.	ea.	ea.																	
208	11.5	84.0	3.5	8.2	10.9	5.5	10.0	None	--	--	51.1	53.8	56.6	59.3	60	60	60	70		
								2TP04540925	6.8	18.9	51.1	53.8	56.6	59.3	60	60	60	60	70	70
								2TP04541825	13.5	37.5	69.6	73.0	76.5	79.8	70	80	80	80	80	80
								2TP04542425	18.0	50.0	85.2	88.6	92.1	95.5	90	90	100	100	100	100
								2TP04543625	25.5	70.8	111.2	114.6	118.1	121.5	125	125	125	125	125	125
230	11.5	84.0	3.5	8.2	10.9	5.5	10.0	None	--	--	51.1	53.8	56.6	59.3	60	60	60	70		
								2TP04540925	9.0	21.7	51.1	53.8	56.7	60.1	60	60	60	70	70	
								2TP04541825	18.0	43.3	76.9	80.3	83.8	87.1	80	90	90	90	90	
								2TP04542425	24.0	57.7	94.9	98.3	101.8	105.2	100	100	110	110	110	
								2TP04543625	34.0	81.8	125.0	128.4	131.9	135.2	125	150	150	150	150	
460	6.4	42.0	1.6	4.1	5.3	2.2	5.0	None	--	--	26.7	27.9	28.9	30.1	30	30	35	35		
								2TP04540946	9	11.3	26.7	27.9	28.9	30.1	30	30	35	35		
								2TP04541846	18	22.6	38.4	39.9	41.2	42.7	40	40	45	45		
								2TP04542446	24	30.1	47.5	49	50.2	51.7	50	50	60	60		
								2TP04543646	34	42.7	62.5	64	65.2	66.7	70	70	70	70		
575	5.1	34.0	1.3	3.6	4.1	1.8	4.0	None	--	--	21.7	22.2	23.5	24	25	25	25	25		
								2TP04540958	9	9.0	21.7	22.2	23.5	24	25	25	25	25		
								2TP04541858	18	18.1	31.2	31.8	33.4	34	35	35	35	35		
								2TP04542458	24	24.1	38.4	39	40.6	41.2	40	40	45	45		
								2TP04543658	34	34.1	50.4	51	52.6	53.3	60	60	60	60		

**TABLE 14: ELECTRICAL DATA DM102 (8-1/2 TON) STD EFFICIENCY W/O PWRD CONVENIENCE OUTLET**

Voltage	Compressors		OD Fan Motors	Supply Blower Motor FLA		Pwr Exh Motor	Pwr Conv Outlet	Electric Heater Model No.	Actual KW	Heater Amps	Min. Circuit Ampacity (Amps)		MCA w/Power Exhaust (Amps)		Max Fuse* Size (Amps)		Max Fuse Size w/Power Exhaust (Amps)			
	RLA ea.	LRA ea.	FLA ea.	3 HP	3 HP	FLA	FLA				3 HP	3 HP	3 HP	3 HP	3 HP	3 HP	3 HP	3 HP	3 HP	3 HP
	208	11.7	88.0	3.5	10.9	10.9	5.5				0.0	None	--	--	44.2	44.2	49.7	49.7	50	50
								2TP04540925	6.8	18.9	44.2	44.2	49.7	49.7	50	50	60	60		
								2TP04541825	13.5	37.5	60.5	60.5	67.3	67.3	70	70	70	70		
								2TP04542425	18	50.0	76.1	76.1	83.0	83.0	80	80	90	90		
								2TP04543625	25.5	70.8	102.1	102.1	109.0	109.0	110	110	110	110		
230	11.7	88.0	3.5	10.9	10.9	5.5	0.0	None	--	--	44.2	44.2	50.4	50.4	50	50	60	60		
								2TP04540925	9	21.7	44.2	44.2	50.4	50.4	50	50	60	60		
								2TP04541825	18	43.3	67.8	67.8	74.6	74.6	70	70	80	80		
								2TP04542425	24	57.7	85.8	85.8	92.7	92.7	90	90	100	100		
								2TP04543625	34	81.8	115.9	115.9	122.7	122.7	125	125	125	125		
460	6.4	42.0	1.6	5.3	5.3	2.2	0.0	None	--	--	22.9	22.9	25.1	25.1	25	25	30	30		
								2TP04540946	9	11.3	22.9	22.9	25.1	25.1	25	25	30	30		
								2TP04541846	18	22.6	33.7	33.7	36.4	36.4	35	35	40	40		
								2TP04542446	24	30.1	42.7	42.7	45.5	45.5	45	45	50	50		
								2TP04543646	34	42.7	57.7	57.7	60.5	60.5	60	60	70	70		
575	5.1	36.0	1.3	4.1	4.1	1.8	0.0	None	--	--	18.2	18.2	20	20	20	20	25	25		
								2TP04540958	9	9.0	18.2	18.2	20	20	20	20	25	25		
								2TP04541858	18	18.1	26.8	26.8	29	29	30	30	30	30		
								2TP04542458	24	24.1	34	34	36.2	36.2	35	35	40	40		
								2TP04543658	34	34.1	46	46	48.3	48.3	50	50	50	50		

**TABLE 15: ELECTRICAL DATA DM102 (8-1/2 TON) STD EFFICIENCY WITH PWRD CONVENIENCE OUTLET**

Voltage	Compressors		OD Fan Motors	Supply Blower Motor FLA		Pwr Exh Motor	Pwr Conv Outlet	Electric Heater Model No.	Actual KW	Heater Amps	Min. Circuit Ampacity (Amps)		MCA w/Power Exhaust (Amps)		Max Fuse* Size (Amps)		Max Fuse Size w/Power Exhaust (Amps)			
	RLA ea.	LRA ea.	FLA ea.	3 HP	3 HP	FLA	FLA				3 HP	3 HP	3 HP	3 HP	3 HP	3 HP	3 HP	3 HP	3 HP	3 HP
	208	11.7	88.0	3.5	10.9	10.9	5.5				10.0	None	--	--	54.2	54.2	59.7	59.7	60	60
								2TP04540925	6.8	18.9	54.2	54.2	59.7	59.7	60	60	70	70		
								2TP04541825	13.5	37.5	73.0	73.0	79.8	79.8	80	80	80	80		
								2TP04542425	18	50.0	88.6	88.6	95.5	95.5	90	90	100	100		
								2TP04543625	25.5	70.8	114.6	114.6	121.5	121.5	125	125	125	125		
230	11.7	88.0	3.5	10.9	10.9	5.5	10.0	None	--	--	54.2	54.2	59.7	59.7	60	60	70	70		
								2TP04540925	9	21.7	54.2	54.2	59.7	59.7	60	60	70	70		
								2TP04541825	18	43.3	80.3	80.3	87.1	87.1	90	90	90	90		
								2TP04542425	24	57.7	98.3	98.3	105.2	105.2	100	100	110	110		
								2TP04543625	34	81.8	128.4	128.4	135.2	135.2	150	150	150	150		
460	6.4	42.0	1.6	5.3	5.3	2.2	10.0	None	--	--	27.9	27.9	30.1	30.1	30	30	35	35		
								2TP04540946	9	11.3	27.9	27.9	30.1	30.1	30	30	35	35		
								2TP04541846	18	22.6	39.9	39.9	42.7	42.7	40	40	45	45		
								2TP04542446	24	30.1	49	49	51.7	51.7	50	50	60	60		
								2TP04543646	34	42.7	64	64	66.7	66.7	70	70	70	70		
575	5.1	36.0	1.3	4.1	4.1	1.8	10.0	None	--	--	22.2	22.2	24	24	25	25	25	25		
								2TP04540958	9	9.0	22.2	22.2	24	24	25	25	25	25		
								2TP04541858	18	18.1	31.8	31.8	34	34	35	35	35	35		
								2TP04542458	24	24.1	39	39	41.2	41.2	40	40	45	45		
								2TP04543658	34	34.1	51	51	53.3	53.3	60	60	60	60		

**TABLE 16: ELECTRICAL DATA DM120 (10 TON) STD EFFICIENCY W/O PWRD CONVENIENCE OUTLET**

Voltage	Compressors		OD Fan Motors	Supply Blower Motor FLA		Pwr Exh Motor FLA	Pwr Conv Outlet FLA	Electric Heater Model No.	Actual KW	Heater Amps	Min. Circuit Ampacity (Amps)		MCA w/Power Exhaust (Amps)		Max Fuse* Size (Amps)		Max Fuse* Size w/Power Exhaust (Amps)		
	RLA ea.	LRA ea.		FLA ea.	2 HP						3 HP	2 HP	3 HP	2 HP	3 HP	2 HP	3 HP	2 HP	3 HP
208	16.3	150.0	3.5	8.2	10.9	5.5	0.0	None	--	--	51.9	54.6	57.4	60.1	60	70	70	70	
								2TP04521825	13.5	37.5	57.1	60.5	64.0	67.3	60	70	70	70	70
								2TP04522425	18	50.0	72.7	76.1	79.6	83.0	80	80	80	80	90
								2TP04523625	25.5	70.8	98.7	102.1	105.6	109.0	100	110	110	110	110
								2TP04525425	40.6	112.7	151.1	154.5	158.0	161.4	175	175	175	175	175
230	16.3	150.0	3.5	8.2	10.9	5.5	0.0	None	--	--	51.9	54.6	57.4	60.1	60	70	70	70	
								2TP04521825	18	43.3	64.4	67.8	71.3	74.6	70	70	80	80	
								2TP04522425	24	57.7	82.4	85.8	89.3	92.7	90	90	90	90	100
								2TP04523625	34	81.8	112.5	115.9	119.4	122.7	125	125	125	125	
								2TP04525425	54	129.9	140.2	143.5	147.0	150.4	150	175	175	175	175
460	11.5	75.0	1.6	4.1	5.3	2.2	0.0	None	--	--	33.2	34.4	35.4	36.6	40	45	45	45	
								2TP04521846	18	22.6	33.2	34.4	35.4	36.6	40	45	45	45	
								2TP04522446	24	30.1	41.2	42.7	44	45.5	45	45	45	50	
								2TP04523646	34	42.7	56.2	57.7	59	60.5	60	60	60	70	
								2TP04525446	54	67.8	70.1	71.6	72.8	74.3	80	80	80	80	
575	7.1	62.0	1.3	3.6	4.1	1.8	0.0	None	--	--	22.2	22.7	24	24.5	25	25	30	30	
								2TP04521858	18	18.1	26.2	26.8	28.4	29	30	30	30	30	
								2TP04522458	24	24.1	33.4	34	35.6	36.2	35	35	40	40	
								2TP04523658	34	34.1	45.4	46	47.6	48.3	50	50	50	50	
								2TP04525458	54	54.2	56.5	57.1	58.7	59.3	70	70	70	70	

\* Maximum HACR breaker of the same AMP size is applicable.

**TABLE 17: ELECTRICAL DATA DM120 (10 TON) STD EFFICIENCY WITH PWRD CONVENIENCE OUTLET**

Voltage	Compressors		OD Fan Motors	Supply Blower Motor FLA		Pwr Exh Motor FLA	Pwr Conv Outlet FLA	Electric Heater Model No.	Actual KW	Heater Amps	Min. Circuit Ampacity (Amps)		MCA w/Power Exhaust (Amps)		Max Fuse* Size (Amps)		Max Fuse* Size w/Power Exhaust (Amps)	
	RLA ea.	LRA ea.		FLA ea.	2 HP						3 HP	2 HP	3 HP	2 HP	3 HP	2 HP	3 HP	2 HP
208	16.3	150.0	3.5	8.2	10.9	5.5	10.0	None	--	--	61.9	64.6	67.4	70.1	70	80	80	80
								2TP04521825	13.5	37.5	69.6	73.0	76.5	79.8	70	80	80	80
								2TP04522425	18	50.0	85.2	88.6	92.1	95.5	90	90	100	100
								2TP04523625	25.5	70.8	111.2	114.6	118.1	121.5	125	125	125	125
								2TP04525425	40.6	112.7	163.6	167.0	170.5	173.9	175	175	175	175
230	16.3	150.0	3.5	8.2	10.9	5.5	10.0	None	--	--	61.9	64.6	67.4	70.1	70	80	80	80
								2TP04521825	18	43.3	76.9	80.3	83.8	87.1	80	90	90	90
								2TP04522425	24	57.7	94.9	98.3	101.8	105.2	100	100	110	110
								2TP04523625	34	81.8	125.0	128.4	131.9	135.2	125	150	150	150
								2TP04525425	54	129.9	152.7	156.0	159.5	162.9	175	175	175	175
460	11.5	75.0	1.6	4.1	5.3	2.2	5.0	None	--	--	38.2	39.4	40.4	41.6	45	50	50	50
								2TP04521846	18	22.6	38.4	39.9	41.2	42.7	45	50	50	50
								2TP04522446	24	30.1	47.5	49	50.2	51.7	50	50	60	60
								2TP04523646	34	42.7	62.5	64	65.2	66.7	70	70	70	70
								2TP04525446	54	67.8	76.3	77.8	79.1	80.6	90	90	90	90
575	7.1	62.0	1.3	3.6	4.1	1.8	4.0	None	--	--	26.2	26.7	28	28.5	30	30	35	35
								2TP04521858	18	18.1	31.2	31.8	33.4	34	35	35	35	35
								2TP04522458	24	24.1	38.4	39	40.6	41.2	40	40	45	45
								2TP04523658	34	34.1	50.4	51	52.6	53.3	60	60	60	60
								2TP04525458	54	54.2	61.5	62.1	63.7	64.3	70	70	70	70

\* Maximum HACR breaker of the same AMP size is applicable.

**TABLE 18: ELECTRICAL DATA DM150 (12-1/2 TON) STD EFFICIENCY W/O PWRD CONVENIENCE OUTLET**

Voltage	Compressors		OD Fan Motors	Supply Blower Motor FLA		Pwr Exh Motor	Pwr Conv Outlet	Electric Heater Model No.	Actual KW	Heater Amps	Min. Circuit Ampacity (Amps)		MCA w/Power Exhaust (Amps)		Max Fuse* Size (Amps)		Max Fuse Size w/Power	
	RLA	LRA	FLA	3	5	FLA	FLA				3	5	3	5	3	5	3	5
	ea.	ea.	ea.	HP	HP						HP	HP	HP	HP	HP	HP	HP	HP
208	20.0	146.0	3.5	10.9	16.1	5.5	0.0	None	--	--	62.9	68.1	68.4	73.6	80	80	80	90
								2TP04521825	13.5	37.5	62.9	68.1	68.4	73.8	80	80	80	90
								2TP04522425	18	50.0	76.1	82.6	83.0	89.5	80	90	90	90
								2TP04523625	25.5	70.8	102.1	108.6	109.0	115.5	110	110	110	125
								2TP04525425	40.6	112.7	154.5	161.0	161.4	167.9	175	175	175	175
230	20.0	146.0	3.5	10.9	16.1	5.5	0.0	None	--	--	62.9	68.1	68.4	73.6	80	80	80	90
								2TP04521825	18	43.3	67.8	74.3	74.6	81.1	80	80	80	90
								2TP04522425	24	57.7	85.8	92.3	92.7	99.2	90	100	100	100
								2TP04523625	34	81.8	115.9	122.4	122.7	129.2	125	125	125	150
								2TP04525425	54	129.9	143.5	150.0	150.4	156.9	175	175	175	175
460	8.4	73.0	1.6	5.3	8.1	2.2	0.0	None	--	--	27.4	30.2	29.6	32.4	35	35	35	40
								2TP04521846	18	22.6	33.7	37.2	36.4	39.9	35	40	40	40
								2TP04522446	24	30.1	42.7	46.2	45.5	49	45	50	50	50
								2TP04523646	34	42.7	57.7	61.2	60.5	64	60	70	70	70
								2TP04525446	54	67.8	71.6	75.1	74.3	77.8	80	90	80	90
575	6.7	60.0	1.3	4.1	6.0	1.8	0.0	None	--	--	21.8	23.7	23.6	25.5	25	30	30	30
								2TP04521858	18	18.1	26.8	29.2	29	31.4	30	30	30	35
								2TP04522458	24	24.1	34	36.4	36.2	38.6	35	40	40	40
								2TP04523658	34	34.1	46	48.4	48.3	50.6	50	50	50	60
								2TP04525458	54	54.2	57.1	59.5	59.3	61.7	70	70	70	70

\* Maximum HACR breaker of the same AMP size is applicable.

**TABLE 19: ELECTRICAL DATA DM150 (12-1/2 TON) STD EFFICIENCY W/PWRD CONVENIENCE OUTLET**

Voltage	Compressors		OD Fan Motors	Supply Blower Motor FLA		Pwr Exh Motor	Pwr Conv Outlet	Electric Heater Model No.	Actual KW	Heater Amps	Min. Circuit Ampacity (Amps)		MCA w/Power Exhaust (Amps)		Max Fuse* Size (Amps)		Max Fuse Size w/Power	
	RLA	LRA	FLA	3	5	FLA	FLA				3	5	3	5	3	5	3	5
	ea.	ea.	ea.	HP	HP						HP	HP	HP	HP	HP	HP	HP	HP
208	20.0	146.0	3.5	10.9	16.1	5.5	10.0	None	--	--	72.9	78.1	78.4	83.6	90	90	90	100
								2TP04521825	13.5	37.5	73.0	79.5	79.8	86.3	90	90	90	100
								2TP04522425	18	50.0	88.6	95.1	95.5	102.0	90	100	100	110
								2TP04523625	25.5	70.8	114.6	121.1	121.5	128.0	125	125	125	150
								2TP04525425	40.6	112.7	167.0	173.5	173.9	180.4	175	175	175	200
230	20.0	146.0	3.5	10.9	16.1	5.5	10.0	None	--	--	72.9	78.1	78.4	83.6	90	90	90	100
								2TP04521825	18	43.3	80.3	86.8	87.1	93.6	90	90	90	100
								2TP04522425	24	57.7	98.3	104.8	105.2	111.7	100	110	110	125
								2TP04523625	34	81.8	128.4	134.9	135.2	141.7	150	150	150	150
								2TP04525425	54	129.9	156.0	162.5	162.9	169.4	175	175	175	175
460	8.4	73.0	1.6	5.3	8.1	2.2	5.0	None	--	--	32.4	35.2	34.6	37.4	40	40	40	45
								2TP04521846	18	22.6	39.9	43.4	42.7	46.2	40	45	45	50
								2TP04522446	24	30.1	49	52.5	51.7	55.2	50	60	60	60
								2TP04523646	34	42.7	64	67.5	66.7	70.2	70	70	70	80
								2TP04525446	54	67.8	77.8	81.3	80.6	84.1	90	90	90	90
575	6.7	60.0	1.3	4.1	6.0	1.8	4.0	None	--	--	25.8	27.7	27.6	29.5	30	30	30	35
								2TP04521858	18	18.1	31.8	34.2	34	36.4	35	35	35	40
								2TP04522458	24	24.1	39	41.4	41.2	43.6	40	45	45	45
								2TP04523658	34	34.1	51	53.4	53.3	55.6	60	60	60	60
								2TP04525458	54	54.2	62.1	64.5	64.3	66.7	70	70	70	70

\* Maximum HACR breaker of the same AMP size is applicable.

**NOTES FOR TABLE 21 THROUGH TABLE 30:**

- Blower performance includes dry coil and 2" throwaway filters.
- Blower performance for gas heat includes the maximum number of heat tubes available for each tonnage.
- ESP (External Static Pressure) given is that available for the supply and return air duct system. All internal resistances have been deducted from the total static pressure of the blower.

**TABLE 20: ELECTRIC HEAT MULTIPLIERS**

VOLTAGE		kW Cap. Multiplier
NOMINAL	RATING	
240	208	0.75
	230	0.92
480	460	0.92
600	575	0.92

**NOTE:** Electric heaters are rated at nominal voltage. Use this table to determine the electric heat capacity for heaters supplied at lower voltages.

**TABLE 21: DM078 (6-1/2 TON) SIDE SHOT BLOWER PERFORMANCE**

CFM	External Static Pressure																				
	0.2		0.4		0.6		0.8		1.0		1.2		1.4		1.6		1.8				
	RPM	BHP	Watts	RPM	BHP	Watts	RPM	BHP	Watts	RPM	BHP	Watts	RPM	BHP	Watts	RPM	BHP	Watts			
1900	687	0.69	641	764	0.81	758	839	0.95	884	893	1.18	1097	957	1.34	1252	1013	1.42	1324	1062	1.59	1484
2000	697	0.72	676	772	0.84	782	846	1.01	940	900	1.22	1137	963	1.39	1299	1019	1.48	1377	1067	1.65	1541
2100	707	0.76	712	781	0.87	810	854	1.07	997	907	1.26	1179	970	1.44	1346	1024	1.53	1430	1073	1.71	1599
2200	717	0.80	750	789	0.90	843	861	1.13	1055	913	1.31	1223	976	1.50	1395	1030	1.59	1485	1078	1.78	1656
2300	727	0.85	790	798	0.94	880	869	1.19	1113	920	1.36	1269	983	1.55	1444	1035	1.65	1541	1083	1.84	1713
2400	736	0.89	832	807	0.99	922	876	1.26	1172	927	1.41	1318	989	1.60	1493	1041	1.71	1597	1088	1.90	1770
2500	746	0.94	877	815	1.04	968	884	1.32	1232	934	1.47	1369	996	1.66	1544	1046	1.78	1655	1094	1.96	1827
2600	756	0.99	923	824	1.09	1019	891	1.39	1292	940	1.53	1423	1002	1.71	1595	1051	1.84	1713	1099	2.02	1884
2700	766	1.04	971	832	1.15	1074	899	1.45	1353	947	1.59	1479	1008	1.77	1647	1057	1.90	1773	1104	2.08	1941
2800	776	1.10	1022	841	1.22	1133	906	1.52	1414	954	1.65	1537	1015	1.82	1700	1062	1.97	1833	1109	2.14	1999
2900	786	1.15	1074	850	1.28	1197	914	1.58	1476	960	1.71	1597	1021	1.88	1753	1068	2.03	1894	1109	2.14	1999
3000	795	1.21	1129	858	1.36	1266	921	1.65	1539	967	1.78	1660	1028	1.94	1807	1073	2.10	1956	1109	2.14	1999
3100	805	1.27	1185	867	1.44	1339	929	1.72	1602	974	1.85	1725	1034	2.00	1862	1073	2.10	1956	1109	2.14	1999
3200	815	1.33	1244	876	1.52	1417	936	1.79	1666	981	1.92	1793	1041	2.06	1918	1073	2.10	1956	1109	2.14	1999
3300	825	1.40	1305	884	1.61	1499	944	1.86	1731	987	2.00	1862	1047	2.12	1974	1073	2.10	1956	1109	2.14	1999

High Horsepower Option Required

**TABLE 22: DM090 (7-1/2 TON) SIDE SHOT BLOWER PERFORMANCE**

CFM	External Static Pressure																													
	0.2			0.4			0.6			0.8			1.0			1.2			1.4			1.6			1.8			2		
	RPM	BHP	Watts	RPM	BHP	Watts	RPM	BHP	Watts	RPM	BHP	Watts	RPM	BHP	Watts	RPM	BHP	Watts	RPM	BHP	Watts	RPM	BHP	Watts	RPM	BHP	Watts	RPM	BHP	Watts
2000	745	0.31	292	811	0.51	478	876	0.71	658	939	0.89	827	1001	1.05	980	1113	1.19	1113	1118	1.31	1221	1174	1.46	1361	1227	1.59	1486	1278	1.74	1622
2100	759	0.38	359	825	0.58	545	890	0.78	725	954	0.96	894	1015	1.12	1047	1180	1.27	1180	1133	1.38	1288	1188	1.54	1434	1241	1.67	1559	1292	1.82	1695
2200	774	0.46	429	841	0.66	615	906	0.85	795	969	1.03	964	1031	1.20	1117	1251	1.34	1251	1148	1.46	1359	1204	1.62	1508	1257	1.75	1633	1307	1.90	1769
2300	791	0.54	504	857	0.74	690	922	0.93	870	985	1.11	1039	1047	1.28	1192	1325	1.42	1325	1164	1.54	1433	1220	1.70	1584	1273	1.83	1709	1324	1.98	1845
2400	808	0.62	582	874	0.82	768	939	1.02	948	1002	1.20	1117	1064	1.36	1270	1403	1.51	1403	1182	1.62	1511	1237	1.78	1664	1290	1.92	1789	1341	2.06	1925
2500	826	0.71	664	892	0.91	850	957	1.11	1030	1020	1.29	1199	1082	1.45	1353	1486	1.59	1486	1200	1.71	1594	1255	1.87	1746	1308	2.01	1871	1359	2.15	2007
2600	845	0.81	750	911	1.00	936	976	1.20	1116	1039	1.38	1285	1161	1.54	1438	1611	1.69	1571	1219	1.80	1680	1274	1.97	1832	1327	2.10	1957	1378	2.25	2093
2700	865	0.90	840	931	1.10	1026	996	1.29	1206	1059	1.47	1375	1121	1.64	1528	1811	1.78	1661	1238	1.90	1769	1294	2.06	1922	1347	2.20	2046	1398	2.34	2183
2800	885	1.00	933	952	1.20	1119	1016	1.39	1299	1080	1.58	1468	1141	1.74	1621	1851	1.88	1755	1259	2.00	1863	1314	2.16	2015	1368	2.30	2140	1418	2.44	2276
2900	907	1.11	1030	973	1.30	1216	1038	1.50	1396	1101	1.68	1565	1163	1.84	1718	1851	1.99	1851	1280	2.10	1960	1336	2.27	2113	1389	2.40	2238	1439	2.55	2374
3000	929	1.21	1131	995	1.41	1317	1060	1.61	1497	1123	1.79	1666	1185	1.95	1819	1952	2.09	1952	1302	2.21	2060	1358	2.38	2214	1411	2.51	2339	1461	2.66	2475
3100	951	1.32	1235	1017	1.52	1421	1082	1.72	1601	1146	1.90	1769	1207	2.06	1923	2056	2.21	2056	1325	2.32	2164	1380	2.49	2320	1434	2.62	2445	1484	2.77	2581
3200	975	1.44	1342	1041	1.64	1528	1106	1.83	1708	1169	2.01	1877	1231	2.18	2030	2163	2.32	2163	1348	2.48	2311	1404	2.61	2431	1457	2.74	2555	1507	2.89	2691
3300	999	1.56	1453	1065	1.76	1639	1130	1.95	1819	1193	2.13	1987	1255	2.30	2141	2304	2.47	2304	1372	2.60	2425	1428	2.73	2545	1481	2.86	2670	1531	3.01	2806
3400	1023	1.68	1567	1089	1.88	1753	1154	2.07	1932	1218	2.25	2101	1279	2.46	2293	2422	2.60	2422	1397	2.73	2544	1452	2.86	2664	1505	2.99	2789	1556	3.14	2925
3500	1048	1.81	1684	1115	2.01	1870	1179	2.20	2049	1243	2.44	2273	1304	2.59	2416	2546	2.73	2546	1422	2.86	2667	1478	2.99	2787	1531	3.12	2912	1581	3.27	3048
3600	1074	1.94	1804	1140	2.13	1990	1205	2.33	2170	1269	2.58	2401	1330	2.73	2544	2673	2.87	2673	1448	3.00	2794	1503	3.13	2914	1556	3.26	3039	1631	3.40	3171
3700	1101	2.07	1927	1167	2.27	2113	1232	2.54	2369	1295	2.72	2532	1357	2.87	2676	2805	3.01	2805	1474	3.14	2926	1530	3.27	3046	1583	3.40	3171	1681	3.54	3303
3800	1127	2.20	2053	1194	2.48	2315	1258	2.69	2505	1322	2.86	2669	1383	3.02	2812	2941	3.15	2941	1501	3.29	3062	1556	3.40	3171	1631	3.54	3303	1731	3.68	3435
3900	1155	2.39	2232	1221	2.63	2455	1286	2.84	2645	1349	3.01	2809	1411	3.17	2952	3081	3.31	3081	1528	3.42	3183	1581	3.54	3303	1681	3.68	3435	1781	3.82	3567
4000	1183	2.55	2377	1249	2.79	2600	1314	2.99	2790	1377	3.17	2953	1439	3.32	3097	3210	3.45	3210	1555	3.54	3303	1631	3.68	3435	1731	3.82	3567	1831	3.96	3703
4100	1211	2.71	2525	1277	2.95	2748	1342	3.15	2939	1406	3.33	3102	1467	3.47	3246	3329	3.61	3329	1582	3.68	3435	1681	3.82	3567	1781	3.96	3703	1881	4.10	3839
4200	1240	2.87	2678	1306	3.11	2901	1371	3.32	3091	1431	3.50	3207	1492	3.64	3397	3458	3.75	3458	1603	3.75	3544	1731	3.89	3635	1831	4.00	3780	1931	4.14	3975
4300	1269	3.04	2835	1336	3.28	3058	1401	3.49	3250	1456	3.68	3362	1523	3.79	3544	3519	3.90	3519	1625	3.82	3635	1781	3.96	3703	1881	4.14	3975	1981	4.28	4111
4400	1299	3.21	2996	1366	3.45	3227	1431	3.66	3429	1481	3.86	3521	1553	3.99	3739	3594	4.01	3594	1647	3.96	3703	1831	4.10	3839	1931	4.28	4111	2031	4.40	4245
4500	1329	3.39	3161	1396	3.62	3406	1461	3.83	3608	1511	4.05	3694	1585	4.18	3948	3679	4.11	3679	1671	4.00	3780	1881	4.14	3975	1981	4.28	4111	2081	4.40	4245

High Horsepower Option Required



**TABLE 23: DM102 (8-1/2 TON) SIDE SHOT BLOWER PERFORMANCE**

CFM	External Static Pressure																											
	0.2		0.4		0.6		0.8		1.0		1.2		1.4		1.6		1.8											
	RPM	BHP	Watts	RPM	BHP	Watts	RPM	BHP	Watts	RPM	BHP	Watts	RPM	BHP	Watts	RPM	BHP	Watts	RPM	BHP	Watts							
2000	802	0.31	288	866	0.55	510	923	0.75	700	864	0.93	864	1025	1.08	1007	1074	1.22	1137	1124	1.35	1259	1178	1.48	1378	1237	1.61	1503	
2100	813	0.38	354	877	0.62	576	934	0.82	766	986	1.00	930	1036	1.15	1074	1085	1.29	1203	1135	1.42	1325	1189	1.55	1445	1248	1.68	1569	
2200	825	0.45	423	889	0.69	646	946	0.90	836	999	1.07	1000	1048	1.23	1143	1097	1.37	1273	1147	1.50	1394	1201	1.62	1514	1260	1.76	1638	
2300	838	0.53	497	902	0.77	719	959	0.98	909	1012	1.15	1073	1061	1.30	1216	1110	1.44	1346	1160	1.57	1467	1214	1.70	1587	1273	1.84	1712	
2400	852	0.62	573	916	0.85	796	973	1.06	986	1026	1.23	1150	1075	1.39	1293	1124	1.53	1423	1174	1.66	1544	1228	1.79	1664	1287	1.92	1788	
2500	867	0.70	654	931	0.94	877	988	1.14	1067	1040	1.32	1230	1090	1.47	1374	1139	1.61	1504	1189	1.74	1625	1243	1.87	1745	1302	2.01	1869	
2600	882	0.79	739	946	1.03	962	1004	1.24	1152	1056	1.41	1316	1105	1.57	1459	1154	1.70	1589	1204	1.83	1710	1258	1.96	1830	1318	2.10	1954	
2700	899	0.89	829	963	1.13	1051	1020	1.33	1241	1072	1.51	1405	1122	1.66	1548	1170	1.80	1678	1221	1.93	1800	1274	2.06	1919	1334	2.19	2044	
2800	916	0.99	922	980	1.23	1145	1037	1.43	1335	1089	1.61	1498	1139	1.76	1642	1187	1.90	1771	1238	2.03	1893	1292	2.16	2013	1328	2.28	2128	
2900	934	1.09	1020	998	1.33	1243	1055	1.54	1433	1107	1.71	1596	1156	1.87	1740	1205	2.01	1869	1255	2.14	1991	1309	2.26	2111	1346	2.40	2235	
3000	952	1.20	1122	1016	1.44	1345	1073	1.65	1535	1125	1.82	1698	1175	1.98	1842	1224	2.12	1972	1274	2.25	2093	1315	2.38	2215	1365	2.52	2347	
3100	971	1.32	1229	1035	1.56	1451	1092	1.76	1641	1145	1.94	1805	1194	2.09	1949	1243	2.23	2078	1293	2.36	2200	1335	2.50	2333	1385	2.64	2465	
3200	991	1.44	1340	1055	1.68	1562	1112	1.88	1752	1164	2.06	1916	1214	2.21	2059	1263	2.35	2189	1313	2.48	2311	1355	2.64	2456	1406	2.78	2588	
3300	1012	1.56	1455	1076	1.80	1677	1133	2.00	1867	1185	2.18	2031	1234	2.33	2175	1283	2.47	2304	1327	2.63	2450	1377	2.77	2584	1427	2.91	2716	
3400	1033	1.69	1574	1097	1.93	1797	1154	2.13	1987	1206	2.31	2151	1256	2.46	2294	1304	2.60	2424	1349	2.77	2583	1399	2.91	2717	1449	3.06	2849	
3500	1054	1.82	1698	1118	2.06	1921	1176	2.26	2111	1228	2.44	2274	1277	2.59	2418	1322	2.77	2578	1372	2.92	2720	1421	3.06	2854	1471	3.20	2986	
3600	1077	1.96	1826	1141	2.20	2048	1198	2.40	2238	1250	2.58	2402	1300	2.73	2546	1345	2.92	2720	1395	3.07	2861	1444	3.21	2996	1495	3.36	3128	
3700	1100	2.10	1958	1164	2.34	2180	1221	2.54	2370	1273	2.72	2534	1318	2.91	2711	1369	3.07	2865	1418	3.23	3007	1468	3.37	3141	-----	-----	-----	
3800	1123	2.25	2094	1187	2.49	2316	1244	2.69	2506	1296	2.86	2670	1343	3.07	2861	1393	3.23	3015	1442	3.39	3156	-----	-----	-----	-----	-----	-----	-----
3900	1147	2.40	2234	1211	2.64	2457	1268	2.84	2647	1315	3.05	2843	1367	3.23	3014	1417	3.40	3168	-----	-----	-----	-----	-----	-----	-----	-----	-----	-----
4000	1171	2.55	2378	1236	2.79	2601	1293	2.99	2791	1340	3.22	2999	1392	3.40	3171	-----	-----	-----	-----	-----	-----	-----	-----	-----	-----	-----	-----	-----
4100	1197	2.71	2526	1261	2.95	2749	1311	3.18	2966	1365	3.39	3160	-----	-----	-----	-----	-----	-----	-----	-----	-----	-----	-----	-----	-----	-----	-----	-----
4200	1222	2.87	2678	1286	3.11	2900	1337	3.36	3129	-----	-----	-----	-----	-----	-----	-----	-----	-----	-----	-----	-----	-----	-----	-----	-----	-----	-----	-----
4300	1248	3.04	2834	1306	3.30	3075	-----	-----	-----	-----	-----	-----	-----	-----	-----	-----	-----	-----	-----	-----	-----	-----	-----	-----	-----	-----	-----	-----
4400	1275	3.21	2993	-----	-----	-----	-----	-----	-----	-----	-----	-----	-----	-----	-----	-----	-----	-----	-----	-----	-----	-----	-----	-----	-----	-----	-----	-----
4500	1302	3.39	3156	-----	-----	-----	-----	-----	-----	-----	-----	-----	-----	-----	-----	-----	-----	-----	-----	-----	-----	-----	-----	-----	-----	-----	-----	-----

Optional Drive Required

**TABLE 24: DM120 (10 TON) SIDE SHOT BLOWER PERFORMANCE**

CFM	External Static Pressure																										
	0.2		0.4		0.6		0.8		1.0		1.2		1.4		1.6		1.8										
	RPM	BHP	Watts	RPM	BHP	Watts	RPM	BHP	Watts	RPM	BHP	Watts	RPM	BHP	Watts	RPM	BHP	Watts									
3000	741	1.20	1122	816	1.35	1256	865	1.46	1365	923	1.69	1571	971	1.91	1784	1035	2.04	1906	1092.2	2.26	2110						
3100	705	1.13	1049	755	1.25	1167	828	1.41	1314	876	1.54	1431	933	1.75	1628	980	1.99	1851	1041	2.12	1976	1097.2	2.35	2190			
3200	719	1.18	1100	769	1.31	1218	840	1.48	1376	887	1.61	1501	943	1.81	1691	988	2.06	1922	1048	2.20	2049	1102.2	2.44	2274			
3300	733	1.24	1156	783	1.37	1274	851	1.55	1443	899	1.69	1575	952	1.89	1760	997	2.14	1997	1054	2.28	2125	1107.2	2.53	2360			
3400	694	1.18	1102	747	1.30	1216	797	1.43	1336	863	1.62	1514	910	1.77	1653	962	1.97	1834	1006	2.23	2076	1061	2.37	2205	1112.2	2.72	2540
3500	707	1.25	1161	761	1.37	1281	811	1.51	1404	874	1.70	1589	922	1.86	1735	972	2.05	1915	1015	2.31	2158	1067	2.45	2287	1117.2	2.83	2634
3600	720	1.31	1224	775	1.45	1351	825	1.59	1477	886	1.79	1669	933	1.95	1821	982	2.15	2001	1023	2.41	2244	1073	2.55	2373	1122.2	2.93	2732
3700	733	1.38	1290	789	1.53	1426	839	1.67	1556	897	1.88	1753	944	2.05	1911	992	2.24	2092	1032	2.50	2334	1080	2.64	2462	1127.2	2.93	2732
3800	746	1.46	1361	803	1.61	1505	853	1.76	1641	909	1.98	1841	956	2.15	2005	1002	2.35	2190	1041	2.60	2427	1086	2.74	2554	1132.2	3.04	2832
3900	759	1.54	1435	817	1.70	1589	867	1.86	1731	920	2.07	1934	967	2.26	2103	1012	2.46	2293	1050	2.71	2524	1093	2.84	2649	1137.2	3.15	2934
4000	772	1.62	1513	831	1.80	1678	881	1.96	1827	932	2.18	2031	979	2.37	2205	1022	2.58	2402	1058	2.82	2625	1099	2.95	2747	1142.2	3.26	3040
4100	784	1.71	1595	845	1.90	1771	895	2.07	1928	943	2.29	2132	990	2.48	2311	1032	2.70	2516	1067	2.93	2729	1106	3.06	2848	1147.2	3.38	3148
4200	797	1.80	1680	859	2.01	1869	909	2.18	2035	955	2.40	2238	1001	2.60	2422	1042	2.83	2637	1076	3.04	2838	1112	3.17	2953			
4300	810	1.90	1770	873	2.12	1972	923	2.30	2148	966	2.52	2348	1013	2.72	2536	1052	2.96	2763	1084	3.16	2949	1118	3.28	3061			
4400	823	2.00	1863	887	2.23	2079	937	2.43	2266	978	2.64	2463	1024	2.85	2654	1062	3.11	2895	1093	3.29	3065	1125	3.40	3171			
4500	836	2.10	1960	901	2.35	2191	951	2.56	2390	989	2.77	2581	1036	2.98	2776	1072	3.25	3032	1102	3.42	3184						
4600	849	2.21	2061	915	2.48	2308	965	2.70	2519	1001	2.90	2705	1047	3.11	2902	1082	3.41	3175									
4700	862	2.32	2166	929	2.61	2430	979	2.85	2654	1012	3.04	2832	1058	3.25	3032												
4800	875	2.44	2274	943	2.74	2556	993	3.00	2795	1024	3.18	2964	1070	3.40	3166												
4900	888	2.56	2387	957	2.88	2687	1007	3.15	2941	1036	3.33	3100															
5000	901	2.69	2503	971	3.03	2823	1021	3.32	3093																		

High Horsepower Option Required

**TABLE 25: DM150 (12-1/2 TON) SIDE SHOT BLOWER PERFORMANCE**

CFM	External Static Pressure																								
	0.2		0.4		0.6		0.8		1.0		1.2		1.4		1.6		1.8		2.0						
	RPM	Watts	RPM	Watts	RPM	Watts	RPM	Watts	RPM	Watts	RPM	Watts	RPM	Watts	RPM	Watts	RPM	Watts	RPM	Watts	RPM	Watts			
3700	840	1.82	1699	888	2.01	1871	941	2.14	1993	997	2.36	2202	1048	2.50	2334	1099	2.67	2485	1146	2.77	2586	1186	2.93	2728	
3800	855	1.92	1786	903	2.09	1947	954	2.24	2085	1009	2.46	2295	1060	2.60	2427	1109	2.76	2576	1155	2.88	2680	1195	3.04	2834	
3900	870	2.01	1877	917	2.18	2028	968	2.34	2182	1022	2.57	2392	1071	2.71	2524	1120	2.87	2672	1163	2.98	2780	1204	3.16	2947	
4000	885	2.12	1973	932	2.27	2115	982	2.45	2283	1035	2.68	2494	1083	2.82	2626	1130	2.98	2774	1171	3.10	2887	1212	3.29	3066	
4100	834	2.11	1970	900	2.22	2072	946	2.37	2207	996	2.56	2390	1048	2.79	2601	1094	2.93	2733	1140	3.09	2881	1179	3.22	3000	
4200	851	2.19	2042	915	2.33	2175	961	2.47	2305	1009	2.68	2501	1061	2.91	2712	1106	3.05	2844	1150	3.21	2993	1188	3.35	3119	
4300	868	2.28	2121	931	2.45	2283	975	2.58	2409	1023	2.81	2616	1074	3.03	2828	1117	3.18	2960	1160	3.34	3111	1196	3.48	3245	
4400	885	2.37	2208	946	2.57	2395	990	2.70	2518	1037	2.94	2736	1087	3.16	2948	1129	3.30	3080	1171	3.47	3234	1204	3.62	3377	
4500	838	2.23	2083	901	2.47	2301	961	2.69	2511	1004	2.82	2633	1051	3.07	2862	1099	3.30	3072	1141	3.44	3204	1181	3.61	3362	
4600	854	2.34	2184	918	2.58	2401	976	2.82	2631	1019	2.95	2753	1064	3.21	2991	1112	3.43	3201	1152	3.58	3333	1191	3.75	3496	
4700	870	2.46	2291	935	2.69	2508	991	2.96	2755	1033	3.09	2879	1078	3.35	3126	1125	3.58	3335	1164	3.72	3467	1201	3.90	3635	
4800	887	2.58	2406	952	2.81	2622	1007	3.09	2883	1048	3.23	3011	1092	3.50	3265	1138	3.73	3473	1175	3.87	3605	1211	4.05	3779	
4900	903	2.71	2527	968	2.94	2744	1022	3.24	3016	1062	3.38	3148	1105	3.66	3409	1151	3.88	3616	1187	4.02	3748	1222	4.21	3929	
5000	919	2.85	2656	985	3.08	2872	1037	3.38	3152	1077	3.53	3291	1119	3.82	3558	1164	4.04	3763	1198	4.18	3895	1232	4.38	4083	
5100	936	2.99	2791	1002	3.23	3007	1052	3.53	3293	1091	3.69	3439	1133	3.98	3711	1177	4.20	3914	1210	4.34	4046	1242	4.55	4244	
5200	952	3.15	2934	1018	3.38	3149	1067	3.69	3438	1106	3.85	3593	1147	4.15	3869	1189	4.37	4070	1221	4.51	4202	1252	4.73	4409	
5300	968	3.31	3083	1035	3.54	3298	1083	3.85	3587	1120	4.03	3753	1160	4.33	4032	1202	4.54	4231	1233	4.68	4363	1262	4.91	4580	
5400	984	3.48	3240	1052	3.71	3455	1098	4.01	3740	1135	4.20	3918	1174	4.51	4200	1215	4.72	4396	1244	4.86	4528	1273	5.10	4757	
5500	1001	3.65	3403	1069	3.88	3618	1113	4.18	3897	1149	4.39	4089	1188	4.69	4372	1228	4.90	4566	1256	5.04	4698	1283	5.30	4938	
5600	1017	3.83	3574	1085	4.06	3788	1128	4.35	4058	1164	4.58	4265	1201	4.88	4549	1241	5.08	4740	1267	5.23	4872	1293	5.50	5125	
5700	1033	4.02	3751	1102	4.25	3965	1143	4.53	4224	1178	4.77	4447	1215	5.07	4731	1254	5.28	4918	1279	5.42	5050	1308	5.70	5300	
5800	1050	4.22	3936	1119	4.45	4149	1159	4.71	4393	1193	4.97	4635	1229	5.27	4917	1267	5.47	5101	1293	5.62	5231	1327	5.90	5481	
5900	1066	4.43	4127	1136	4.66	4341	1174	4.90	4567	1207	5.18	4828	1243	5.48	5108	1283	5.68	5281	1312	5.82	5411	1342	6.10	5662	
6000	1082	4.64	4326	1152	4.87	4539	1189	5.09	4745	1222	5.39	5027	1258	5.68	5281	1308	5.88	5531	1338	6.02	5641	1368	6.30	5912	
6100	1098	4.86	4531	1169	5.09	4744	1204	5.29	4927	1236	5.61	5231	1273	5.90	5481	1312	6.10	5662	1342	6.30	5912	1372	6.50	6162	
6200																									

High Horsepower Option Required

**TABLE 26: DM078 (6-1/2 TON) DOWN SHOT BLOWER PERFORMANCE**

CFM	External Static Pressure																					
	0.2		0.4		0.6		0.8		1.0		1.2		1.4		1.6							
	RPM	BHP	Watts	RPM	BHP	Watts	RPM	BHP	Watts	RPM	BHP	Watts	RPM	BHP	Watts	RPM	BHP	Watts				
1900	---	---	---	733	0.75	698	804	0.9	825	881	1.03	963	931	1.21	1124	980	1.37	1279	1019	1.51	1409	
2000	---	---	---	745	0.8	742	814	0.94	872	885	1.09	1017	939	1.27	1181	987	1.43	1336	1025	1.57	1465	
2100	---	---	---	756	0.85	789	824	0.99	922	889	1.15	1073	946	1.33	1240	993	1.5	1395	1031	1.63	1521	
2200	---	---	---	767	0.9	839	835	1.05	975	894	1.21	1131	954	1.4	1301	1000	1.56	1454	1036	1.69	1578	
2300	---	---	---	778	0.96	891	845	1.1	1030	898	1.28	1191	962	1.46	1363	1006	1.63	1515	1042	1.76	1636	
2400	---	---	---	789	1.01	946	855	1.17	1088	902	1.34	1253	969	1.53	1426	1013	1.69	1577	1047	1.82	1695	
2500	---	---	---	743	0.9	828	801	1.08	1003	865	1.23	1148	906	1.41	1317	977	1.6	1491	1019	1.76	1641	1755
2600	---	---	---	755	0.96	895	812	1.14	1063	875	1.3	1211	910	1.48	1384	985	1.67	1558	1026	1.83	1705	1816
2700	728	0.76	709	767	1.03	964	823	1.21	1125	886	1.37	1276	914	1.56	1452	992	1.75	1627	1032	1.9	1771	1878
2800	739	0.86	801	778	1.11	1035	834	1.28	1190	896	1.44	1344	918	1.63	1523	1000	1.82	1697	1039	1.97	1838	---
2900	750	0.96	894	790	1.19	1107	846	1.35	1257	906	1.52	1414	923	1.71	1596	1008	1.9	1769	1045	2.04	1906	---
3000	761	1.06	987	801	1.27	1182	857	1.42	1327	916	1.59	1487	927	1.79	1671	1015	1.98	1842	---	---	---	---
3100	772	1.16	1080	813	1.35	1258	868	1.5	1400	926	1.68	1562	931	1.87	1748	1023	2.06	1917	---	---	---	---
3200	784	1.26	1175	825	1.43	1336	879	1.58	1475	937	1.76	1640	935	1.96	1827	---	---	---	---	---	---	---
3300	795	1.36	1269	836	1.52	1417	890	1.67	1552	947	1.85	1721	939	2.05	1908	---	---	---	---	---	---	---

High Horsepower Option Required

Motor Efficiency 0.8

Std HP Motor 1.5

**TABLE 27: DM090 (7-1/2 TON) DOWN SHOT BLOWER PERFORMANCE**

CFM	External Static Pressure																										
	0.2		0.4		0.6		0.8		1.0		1.2		1.4		1.6		1.8										
	RPM	BHP	Watts	RPM	BHP	Watts	RPM	BHP	Watts	RPM	BHP	Watts	RPM	BHP	Watts	RPM	BHP	Watts	RPM	BHP	Watts						
2000	814	0.52	488	888	0.71	665	960	0.89	834	1030	1.06	984	1103	1.18	1104	1179	1.27	1185	1253	1.51	1411	1335	1.69	1577	1429	1.90	1773
2100	831	0.60	558	905	0.79	735	977	0.97	904	1047	1.13	1054	1120	1.26	1174	1196	1.35	1255	1266	1.60	1492	1349	1.78	1658	1443	1.99	1854
2200	849	0.68	633	924	0.87	810	995	1.05	979	1066	1.21	1129	1138	1.34	1249	1214	1.43	1330	1282	1.69	1574	1364	1.87	1741	1458	2.08	1936
2300	869	0.77	713	943	0.95	890	1015	1.14	1059	1086	1.30	1208	1158	1.43	1329	1234	1.51	1410	1299	1.78	1658	1381	1.96	1824	1475	2.17	2020
2400	890	0.86	798	964	1.05	975	1036	1.23	1143	1106	1.39	1293	1179	1.52	1414	1255	1.60	1495	1317	1.87	1745	1400	2.05	1911	1493	2.26	2107
2500	911	0.95	887	986	1.14	1063	1057	1.32	1232	1128	1.48	1382	1201	1.61	1503	1277	1.70	1584	1337	1.97	1834	1420	2.15	2000	1513	2.36	2196
2600	934	1.05	980	1009	1.24	1157	1080	1.42	1325	1151	1.58	1475	1223	1.71	1596	1299	1.80	1677	1358	2.07	1928	1440	2.25	2094	1534	2.46	2290
2700	958	1.16	1077	1032	1.35	1254	1104	1.53	1422	1175	1.69	1572	1247	1.82	1693	1323	1.90	1774	1379	2.17	2026	1462	2.35	2192	1556	2.56	2388
2800	982	1.26	1178	1057	1.45	1355	1128	1.63	1524	1199	1.80	1674	1271	1.92	1794	1348	2.01	1875	1402	2.28	2128	1485	2.46	2294	1578	2.67	2490
2900	1007	1.38	1283	1082	1.57	1460	1153	1.75	1629	1224	1.91	1779	1297	2.04	1899	1373	2.12	1980	1425	2.40	2236	1508	2.58	2402	1602	2.79	2598
3000	1033	1.49	1392	1108	1.68	1569	1179	1.86	1737	1250	2.02	1887	1322	2.15	2008	1399	2.24	2089	1450	2.52	2348	1532	2.70	2515	1626	2.91	2710
3100	1060	1.61	1504	1134	1.80	1681	1206	1.98	1850	1277	2.15	1999	1349	2.27	2120	1400	2.49	2319	1474	2.65	2467	1557	2.82	2633	1651	3.03	2829
3200	1087	1.74	1620	1162	1.93	1797	1233	2.11	1965	1304	2.27	2115	1357	2.47	2303	1426	2.62	2443	1500	2.78	2590	1583	2.96	2756	1676	3.17	2952
3300	1115	1.87	1739	1189	2.06	1916	1261	2.24	2084	1318	2.46	2291	1383	2.61	2433	1451	2.76	2572	1526	2.92	2719	1608	3.10	2886	1702	3.31	3081
3400	1143	2.00	1861	1218	2.19	2038	1279	2.44	2270	1344	2.60	2426	1409	2.75	2568	1478	2.90	2707	1552	3.06	2854	1635	3.24	3021	1729	3.45	3216
3500	1172	2.13	1986	1246	2.32	2163	1306	2.59	2411	1371	2.75	2566	1436	2.91	2708	1505	3.06	2848	1579	3.21	2995	1662	3.39	3161	1759	3.66	3411
3600	1201	2.27	2114	1267	2.55	2377	1334	2.74	2557	1398	2.91	2713	1464	3.06	2855	1532	3.21	2994	1606	3.37	3142	1688	3.57	3311	1789	3.96	3611
3700	1223	2.48	2314	1295	2.71	2530	1361	2.91	2710	1426	3.07	2865	1491	3.23	3007	1560	3.38	3147	1658	3.58	3291	1768	3.78	3491	1858	4.16	3911
3800	1251	2.65	2473	1323	2.88	2688	1389	3.08	2868	1454	3.24	3023	1519	3.40	3165	1600	3.59	3291	1717	3.79	3461	1817	3.99	3661	1916	4.54	4311
3900	1280	2.83	2636	1351	3.06	2852	1418	3.25	3032	1487	3.45	3139	1551	3.57	3307	1650	3.70	3421	1780	3.99	3631	1886	4.19	3831	1985	4.91	5011
4000	1308	3.01	2806	1380	3.24	3021	1446	3.43	3201	1516	3.66	3311	1600	3.80	3511	1750	4.00	3711	1880	4.20	3911	1980	4.40	4111	2080	5.16	5611

High Horsepower Option Required

**TABLE 28: DM102 (8-1/2 TON) DOWN SHOT BLOWER PERFORMANCE**

CFM	External Static Pressure																										
	0.2		0.4		0.6		0.8		1.0		1.2		1.4		1.6		1.8										
	RPM	BHP	Watts	RPM	BHP	Watts	RPM	BHP	Watts	RPM	BHP	Watts	RPM	BHP	Watts	RPM	BHP	Watts									
2000	842	0.46	431	913	0.69	647	980	0.89	827	1044	1.05	982	1110	1.21	1124	1178	1.36	1263	1253	1.51	1411	1335	1.69	1577	1429	1.90	1773
2100	856	0.55	513	927	0.78	728	993	0.97	908	1058	1.14	1064	1123	1.29	1206	1192	1.44	1345	1266	1.60	1492	1349	1.78	1658	1443	1.99	1854
2200	871	0.64	595	942	0.87	810	1009	1.06	990	1074	1.23	1146	1139	1.38	1288	1207	1.53	1427	1282	1.69	1574	1364	1.87	1741	1458	2.08	1936
2300	888	0.73	679	959	0.96	894	1026	1.15	1074	1091	1.32	1230	1156	1.47	1372	1224	1.62	1511	1299	1.78	1658	1381	1.96	1824	1475	2.17	2020
2400	906	0.82	765	978	1.05	980	1044	1.24	1160	1109	1.41	1316	1174	1.56	1458	1243	1.71	1597	1317	1.87	1745	1400	2.05	1911	1493	2.26	2107
2500	926	0.92	855	997	1.15	1070	1064	1.34	1250	1129	1.51	1406	1194	1.66	1548	1262	1.81	1687	1340	2.02	1883	1415	2.13	1990	1494	2.21	2063
2600	947	1.02	948	1018	1.25	1164	1085	1.44	1344	1149	1.61	1499	1215	1.76	1641	1283	1.91	1780	1362	2.13	1990	1436	2.25	2096	1515	2.33	2170
2700	969	1.12	1046	1040	1.35	1261	1106	1.55	1441	1171	1.71	1597	1236	1.87	1739	1305	2.02	1878	1384	2.26	2102	1459	2.37	2209	1538	2.45	2282
2800	991	1.23	1149	1062	1.46	1364	1129	1.66	1544	1194	1.82	1700	1259	1.98	1842	1328	2.13	1981	1408	2.38	2221	1483	2.50	2328	1562	2.58	2401
2900	1015	1.35	1256	1086	1.58	1471	1152	1.77	1651	1217	1.94	1807	1283	2.09	1949	1362	2.37	2207	1434	2.52	2346	1508	2.63	2452	1587	2.71	2526
3000	1039	1.47	1369	1110	1.70	1584	1177	1.89	1764	1241	2.06	1920	1307	2.21	2062	1388	2.51	2338	1460	2.66	2477	1534	2.77	2583	1613	2.85	2657
3100	1064	1.60	1487	1135	1.83	1702	1201	2.02	1882	1266	2.19	2038	1345	2.47	2307	1415	2.66	2475	1487	2.80	2614	1561	2.92	2721	1641	3.00	2794
3200	1089	1.73	1611	1160	1.96	1826	1227	2.15	2006	1292	2.32	2161	1373	2.63	2450	1443	2.81	2619	1515	2.96	2757	1590	3.07	2864	1669	3.15	2937
3300	1115	1.87	1740	1186	2.10	1955	1253	2.29	2135	1318	2.46	2291	1402	2.79	2600	1472	2.97	2768	1544	3.12	2907	1619	3.23	3013	1698	3.31	3087
3400	1142	2.01	1875	1213	2.24	2090	1279	2.44	2270	1361	2.74	2558	1432	2.96	2755	1502	3.14	2924	1574	3.29	3062	1648	3.40	3169			
3500	1168	2.16	2016	1240	2.39	2231	1306	2.59	2411	1392	2.92	2720	1462	3.13	2917	1533	3.31	3086									
3600	1196	2.32	2162	1267	2.55	2377	1351	2.86	2663	1423	3.10	2887	1494	3.31	3085												
3700	1223	2.48	2314	1295	2.71	2530	1383	3.04	2837	1455	3.28	3061															
3800	1251	2.65	2473	1341	2.97	2767	1416	3.24	3016																		
3900	1280	2.83	2636	1374	3.17	2952	1450	3.43	3202																		
4000	1328	3.08	2870	1408	3.37	3143																					
4100	1363	3.29	3067																								

Optional Drive Required

**TABLE 29: DM120 (10 TON) DOWN SHOT BLOWER PERFORMANCE**

CFM	External Static Pressure																				
	0.2		0.4		0.6		0.8		1.0		1.2		1.4		1.6						
	RPM	BHP	Watts	RPM	BHP	Watts	RPM	BHP	Watts	RPM	BHP	Watts	RPM	BHP	Watts	RPM	BHP	Watts			
3000	741	1.21	1128	814	1.34	1248	880	1.50	1400	935	1.68	1564	981	1.86	1732	1018	2.03	1893	1047	2.17	2026
3100	758	1.26	1178	829	1.41	1312	892	1.58	1473	945	1.76	1643	990	1.95	1815	1025	2.12	1976	1053	2.26	2107
3200	775	1.32	1234	843	1.48	1381	904	1.66	1550	956	1.85	1726	998	2.04	1900	1032	2.21	2061	1060	2.35	2190
3300	792	1.39	1298	858	1.56	1456	916	1.75	1632	966	1.94	1812	1007	2.13	1989	1040	2.31	2149	1066	2.44	2275
3400	809	1.47	1369	872	1.65	1537	929	1.84	1719	976	2.04	1902	1015	2.23	2080	1047	2.40	2239	1072	2.53	2361
3500	826	1.55	1447	887	1.74	1623	941	1.94	1810	986	2.14	1995	1024	2.33	2174	1054	2.50	2331	1078	2.62	2458
3600	843	1.64	1532	901	1.84	1715	953	2.04	1905	997	2.24	2092	1033	2.44	2270	1062	2.60	2425	1084	2.71	2552
3700	860	1.74	1624	916	1.94	1812	965	2.15	2005	1007	2.35	2193	1041	2.54	2370	1069	2.71	2522	1090	2.82	2658
3800	877	1.85	1723	930	2.05	1915	977	2.26	2109	1017	2.46	2297	1050	2.65	2473	1076	2.81	2621	1096	2.92	2757
3900	894	1.96	1829	945	2.17	2023	990	2.38	2218	1027	2.58	2405	1059	2.77	2578	1082	2.92	2714	1102	3.03	2850
4000	911	2.08	1943	959	2.29	2138	1002	2.50	2331	1038	2.70	2516	1067	2.88	2686	1088	3.03	2771	1108	3.14	2986
4100	928	2.21	2063	974	2.42	2257	1014	2.63	2449	1048	2.82	2631	1076	3.00	2797	1094	3.14	2828	1114	3.25	3122
4200	945	2.35	2190	988	2.56	2383	1026	2.76	2571	1058	2.95	2749	1084	3.18	2927	1100	3.25	2885	1120	3.36	3258
4300	962	2.49	2324	1003	2.70	2514	1038	2.89	2697	1068	3.08	2871	1092	3.32	3057	1106	3.36	2942	1126	3.47	3394
4400	979	2.65	2466	1017	2.84	2650	1050	3.03	2828	1079	3.21	2996	1100	3.46	3187	1112	3.47	3000	1132	3.58	3530
4500	996	2.80	2614	1032	3.00	2792	1063	3.18	2963	1090	3.34	3121	1106	3.60	3317	1118	3.58	3058	1138	3.69	3666
4600	1013	2.97	2770	1046	3.15	2940	1075	3.33	3103	1102	3.47	3245	1112	3.72	3441	1124	3.69	3116	1144	3.80	3802
4700	1030	3.15	2932	1061	3.32	3094	1088	3.51	3245	1118	3.60	3369	1118	3.84	3565	1130	3.80	3174	1150	3.91	3938
4800	1047	3.33	3102	1075	3.49	3253	1102	3.69	3403	1124	3.73	3493	1124	3.96	3689	1136	3.91	3232	1156	4.02	4074
4900	1065	3.52	3278	1089	3.67	3428	1118	3.87	3563	1140	3.96	3647	1130	4.14	3813	1142	4.02	3290	1162	4.13	4210
5000	1082	3.71	3462	1103	3.85	3612	1132	4.06	3733	1156	4.15	3817	1146	4.32	3987	1148	4.13	3348	1168	4.24	4346

High Horsepower Option Required

Motor Efficiency 0.8

Std HP Motor 2

**TABLE 30: DM150 (12-1/2 TON) DOWN SHOT BLOWER PERFORMANCE**

CFM	External Static Pressure																										
	0.2		0.4		0.6		0.8		1.0		1.2		1.4		1.6		1.8		2.0								
	RPM	Watts	RPM	Watts	RPM	Watts	RPM	Watts	RPM	Watts	RPM	Watts	RPM	Watts	RPM	Watts	RPM	Watts	RPM	Watts							
3700	875	1831	926	209	1946	974	2.23	2077	1020	2.38	2220	1065	2.54	2372	1108	2.71	2530	1151	2.89	2693	1191	3.06	2856	1231	3.24	3021	
3800	893	206	1918	943	2.19	2044	990	2.34	2183	1036	2.50	2332	1080	2.67	2489	1123	2.84	2652	1165	3.02	2817	1205	3.20	2983	1244	3.38	3149
3900	911	2.16	2012	960	2.30	2147	1007	2.46	2294	1052	2.63	2449	1096	2.80	2611	1138	2.98	2777	1179	3.16	2945	1219	3.34	3113	1258	3.52	3280
4000	929	2.27	2113	977	2.42	2256	1023	2.59	2410	1068	2.76	2571	1111	2.94	2737	1153	3.12	2906	1194	3.30	3076	1233	3.48	3245	1271	3.66	3414
4200	947	2.38	2219	995	2.54	2371	1040	2.72	2531	1084	2.89	2697	1127	3.08	2867	1168	3.26	3039	1208	3.44	3211	1247	3.63	3381	1285	3.81	3550
4300	965	2.50	2332	1012	2.67	2491	1056	2.85	2657	1100	3.03	2828	1142	3.22	3001	1183	3.41	3175	1223	3.59	3348	1261	3.78	3520	1298	3.96	3690
4400	983	2.63	2451	1029	2.81	2617	1073	2.99	2788	1116	3.18	2963	1157	3.37	3139	1198	3.56	3315	1237	3.74	3490	1275	3.93	3662	1311	4.11	3832
4500	953	2.59	2411	1001	2.76	2577	1046	2.95	2749	1090	3.14	2925	1132	3.33	3103	1173	3.52	3281	1212	3.71	3459	1251	3.90	3634	1289	4.08	3807
4600	972	2.72	2536	1019	2.91	2708	1063	3.10	2886	1106	3.29	3066	1148	3.48	3247	1188	3.68	3428	1227	3.87	3606	1266	4.06	3782	1303	4.24	3955
4700	991	2.86	2667	1036	3.05	2846	1081	3.25	3029	1123	3.45	3212	1164	3.64	3396	1204	3.84	3578	1242	4.03	3758	1280	4.22	3933	1316	4.40	4125
4800	1009	3.01	2806	1054	3.21	2990	1098	3.41	3177	1139	3.61	3364	1180	3.81	3549	1219	4.00	3732	1257	4.20	3912	1294	4.39	4088	1330	4.57	4299
4900	1028	3.17	2951	1072	3.37	3141	1115	3.57	3331	1156	3.78	3520	1196	3.98	3707	1234	4.17	3891	1272	4.37	4071	1309	4.56	4246	1344	4.74	4429
5000	1047	3.33	3103	1090	3.54	3297	1132	3.74	3491	1172	3.95	3682	1211	4.15	3870	1250	4.35	4054	1287	4.54	4233	1323	4.73	4407	1368	4.91	4577
5100	1066	3.50	3263	1108	3.71	3460	1149	3.92	3656	1189	4.13	3848	1227	4.33	4037	1265	4.53	4221	1302	4.72	4399	1338	4.91	4572	1372	5.09	4744
5200	1084	3.68	3430	1126	3.89	3629	1167	4.11	3827	1205	4.31	4020	1243	4.51	4208	1281	4.71	4391	1317	4.90	4569	1352	5.09	4740	1392	5.27	4917
5300	1103	3.87	3603	1144	4.08	3805	1184	4.29	4003	1222	4.50	4196	1259	4.70	4384	1296	4.90	4566	1331	5.09	4742	1366	5.28	4939	1407	5.47	5114
5400	1122	4.06	3784	1162	4.28	3987	1201	4.49	4185	1238	4.70	4378	1275	4.90	4565	1311	5.09	4745	1356	5.28	4941	1391	5.47	5140	1441	5.66	5319
5500	1141	4.26	3971	1180	4.48	4175	1218	4.69	4373	1255	4.90	4564	1291	5.10	4750	1346	5.28	4948	1391	5.47	5146	1426	5.66	5345	1491	5.85	5524
5600	1160	4.47	4166	1198	4.69	4369	1235	4.90	4566	1271	5.10	4756	1311	5.28	4948	1361	5.47	5146	1416	5.66	5345	1461	5.85	5539	1531	6.04	5708
5700	1178	4.69	4368	1216	4.90	4569	1253	5.11	4765	1326	5.28	4948	1361	5.47	5146	1416	5.66	5345	1461	5.85	5539	1511	6.04	5708	1581	6.23	5877
5800	1197	4.91	4576	1234	5.12	4776	1271	5.28	4948	1361	5.47	5146	1416	5.66	5345	1461	5.85	5539	1511	6.04	5708	1561	6.23	5877	1631	6.42	6046
5900	1216	5.14	4792	1252	5.33	4992	1289	5.47	5146	1381	5.66	5345	1431	5.85	5539	1481	6.04	5708	1531	6.23	5877	1581	6.42	6046	1651	6.61	6215
6000	1235	5.36	5008	1270	5.54	5208	1306	5.66	5345	1401	5.85	5539	1451	6.04	5708	1481	6.23	5877	1531	6.42	6046	1581	6.61	6215	1661	6.80	6384
6100	1254	5.58	5224	1286	5.75	5424	1322	5.85	5539	1416	6.04	5708	1461	6.23	5877	1511	6.42	6046	1561	6.61	6215	1611	6.80	6384	1681	7.00	6553
6200	1273	5.80	5440	1302	5.96	5640	1338	6.04	5708	1426	6.23	5877	1476	6.42	6046	1511	6.61	6215	1561	6.80	6384	1611	7.00	6553	1691	7.19	6722

High Horsepower Option Required

Motor Efficiency 0.8

Std HP Motor 3



**TABLE 31: ADDITIONAL STATIC RESISTANCE DM078, 120 AND 150**

CFM	Cooling Only*	Economizer† ‡	Electric Heat KW†				
			9	18	24	36	54
1900	0.06	0.02	0.05	0.06	0.07	0.08	0.10
2100	0.07	0.02	0.06	0.07	0.08	0.09	0.11
2300	0.08	0.02	0.07	0.08	0.09	0.10	0.13
2500	0.09	0.02	0.08	0.09	0.10	0.11	0.14
2700	0.11	0.03	0.09	0.10	0.12	0.13	0.16
2900	0.12	0.03	0.10	0.11	0.13	0.14	0.18
3100	0.14	0.03	0.12	0.13	0.15	0.16	0.20
3300	0.16	0.03	0.13	0.14	0.17	0.18	0.22
3500	0.18	0.04	0.15	0.16	0.19	0.20	0.24
3700	0.20	0.04	0.17	0.18	0.21	0.22	0.26
3900	0.23	0.04	0.19	0.20	0.23	0.24	0.28
4100	0.25	0.04	0.21	0.22	0.25	0.26	0.31
4300	0.28	0.05	0.23	0.24	0.28	0.29	0.34
4500	0.30	0.05	0.25	0.26	0.30	0.31	0.37
4700	0.33	0.05	0.28	0.29	0.33	0.34	0.40
4900	0.36	0.05	0.30	0.31	0.35	0.37	0.43
5100	0.39	0.06	0.33	0.34	0.38	0.40	0.46
5300	0.42	0.06	0.35	0.37	0.41	0.43	0.49
5500	0.45	0.06	0.38	0.40	0.44	0.46	0.53
5700	0.48	0.06	0.41	0.43	0.47	0.49	0.56
5900	0.52	0.07	0.44	0.46	0.50	0.53	0.59
6100	0.56	0.07	0.47	0.49	0.53	0.56	0.62
6300	0.60	0.07	0.50	0.53	0.56	0.59	0.65

\* Add these resistance values to the available static resistance in the respective Blower Performance Tables.

† Deduct these resistance values from the available external static pressure shown in the respective Blower Performance Table.

‡ The pressure drop through the economizer is greater for 100% outdoor air than for 100% return air. If the resistance of the return air duct system is less than 0.25 IWG, the unit will deliver less CFM during full economizer operation.

**TABLE 32: ADDITIONAL STATIC RESISTANCE DM090, 102**

CFM	Cooling Only*	Economizer† ‡	Electric Heat KW†				
			9	18	24	36	54
1900	-0.004	0.07	0.05	0.06	0.07	0.08	0.1
2100	0.01	0.09	0.06	0.07	0.08	0.09	0.11
2300	0.01	0.11	0.07	0.08	0.09	0.1	0.13
2500	0.02	0.13	0.08	0.09	0.1	0.11	0.14
2700	0.03	0.16	0.09	0.1	0.12	0.13	0.16
2900	0.04	0.18	0.1	0.11	0.13	0.14	0.18
3100	0.05	0.20	0.12	0.13	0.15	0.16	0.2
3300	0.06	0.22	0.13	0.14	0.17	0.18	0.22
3500	0.07	0.24	0.15	0.16	0.19	0.2	0.24
3700	0.08	0.27	0.17	0.18	0.21	0.22	0.26
3900	0.09	0.29	0.19	0.2	0.23	0.24	0.28
4100	0.09	0.31	0.21	0.22	0.25	0.26	0.31
4300	0.10	0.33	0.23	0.24	0.28	0.29	0.34

\* Deduct these resistance values to the available static resistance in the respective Blower Performance Tables.

† Deduct these resistance values from the available external static pressure shown in the respective Blower Performance Table.

‡ The pressure drop through the economizer is greater for 100% outdoor air than for 100% return air. If the resistance of the return air duct system is less than 0.25 IWG, the unit will deliver less CFM during full economizer operation.

**TABLE 33: ELECTRIC HEAT MINIMUM SUPPLY AIR CFM**

HEATER		UNIT MODEL SIZE (NOMINAL TONS)				
kW	VOLTAGE	078 (6.5)	090 (7.5)	102 (8.5)	120 (10)	150 (12.5)
		MINIMUM SUPPLY AIR CFM				
9	208/230	1950	2250	2550	N/A	N/A
18		1950	2250	2550	3000	3750
24		1950	2250	2550	3000	3750
36		1950	2250	2550	3000	3750
54		N/A	N/A	N/A	3500	4000
9	480	1950	2250	2550	N/A	N/A
18		1950	2250	2550	3000	3750
24		1950	2250	2550	3000	3750
36		1950	2250	2550	3000	3750
54		N/A	N/A	N/A	3000	3750
9	600	1950	2250	2550	N/A	N/A
18		1950	2250	2550	3000	3750
24		1950	2250	2550	3000	3750
36		1950	2250	2550	3000	3750
54		N/A	N/A	N/A	3500	3750

**TABLE 34: INDOOR BLOWER SPECIFICATIONS**

MODEL	MOTOR					MOTOR SHEAVE			BLOWER SHEAVE			BELT
	HP	RPM	Eff.	SF	Frame	Datum Dia. (in.)	Bore (in.)	Model	Datum Dia. (in.)	Bore (in.)	Model	
DM078	1-1/2	1725	80%	1.15	56	3.4 - 4.4	7/8	1VM50	9.5	1	AK99	A58
	2	1725	80%	1.15	56	3.4 - 4.4	7/8	1VM50	7.5	1	AK79	A55
DM090	2	1725	80%	1.15	56	3.4 - 4.4	7/8	1VM50	6.5	1	AK69	A49
	3	1725	80%	1.15	56	3.4 - 4.4	7/8	1VM50	6.0	1	AK64	A49
DM102	3	1725	80%	1.15	56	3.4 - 4.4	7/8	1VM50	6.0	1	AK64	A49
	3	1725	80%	1.15	56	3.4 - 4.4	7/8	1VM50	5.7	1	AK61	A49
DM120	2	1725	80%	1.15	56	3.4 - 4.4	7/8	1VM50	8.5	1	AK89	A56
	3	1725	80%	1.15	56	3.4 - 4.4	7/8	1VM50	7.0	1	AK74	A54
DM150	3	1725	80%	1.15	56	3.4 - 4.4	7/8	1VM50	7.0	1	AK74	A54
	5	1725	87%	1.15	184T	4.3 - 5.3	1 1/8	1VP56	6.7	1	BK77	BX55

**TABLE 35: POWER EXHAUST SPECIFICATIONS**

POWER EXHAUST MODEL	VOLT	PHASE	MOTOR			ELECTRICAL			FUSE SIZE	CFM @ 0.1 ESP
			HP	RPM*	QTY	LRA	FLA	MCA		
2PE0473225	208/230	1	0.75	1075	1	24.9	5.0	6.3	10	3,800
2PE0473246	460	1				N/A	2.2	2.8	5	
2PE0473258	575	1				1.5	1.9	4		

\* Motors are multi-tapped and factory wired for high speed.

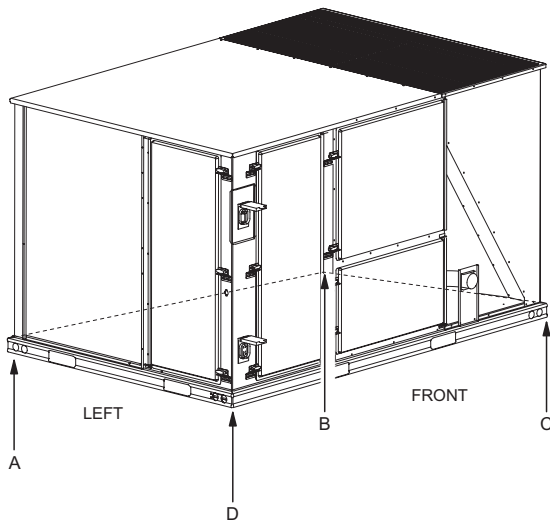
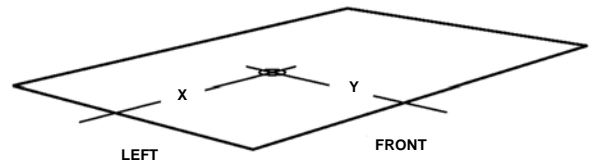


FIGURE 2 - UNIT 4 POINT LOAD

TABLE 36: 4 POINT LOAD WEIGHT

Model	Location (lbs.)			
	A	B	C	D
DM078	228	195	285	333
DM090	192	143	224	301
DM102	195	146	228	306
DM120	245	209	305	357
DM150	262	224	327	382



Unit Model Number	X	Y
DM078	47 1/2	25 1/2
DM090	38	23
DM102	38	23
DM120	47 1/2	25 1/2
DM150	47 1/2	25 1/2

FIGURE 3 - UNIT CENTER OF GRAVITY

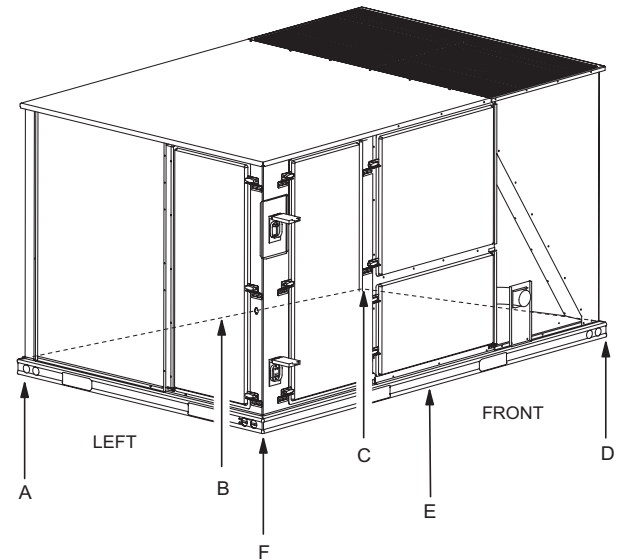


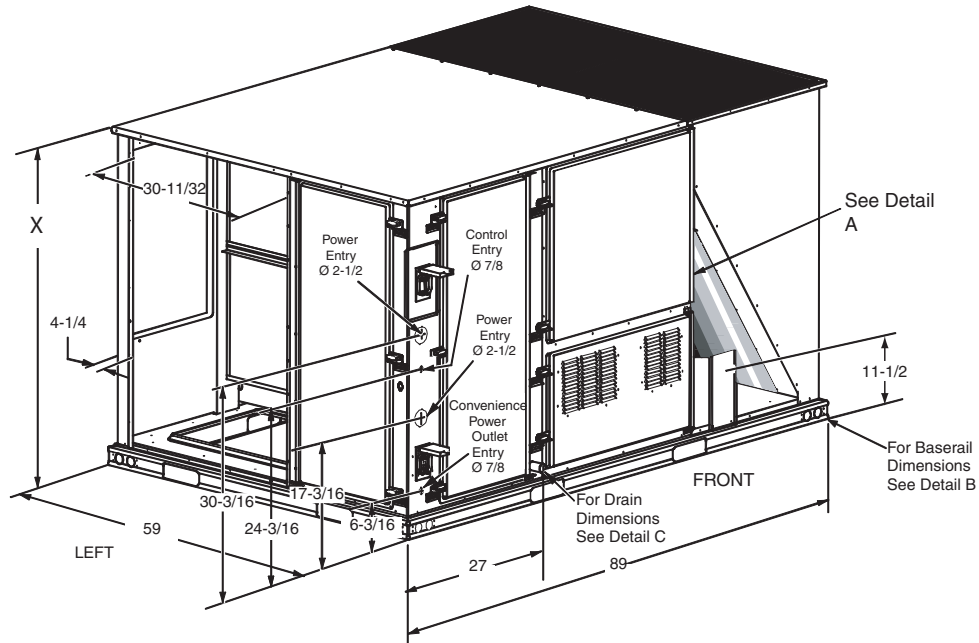
FIGURE 4 - UNIT 6 POINT LOAD

**TABLE 37: 6 POINT LOAD WEIGHT**

Model	Locations (lbs.)					
	A	B	C	D	E	F
DM078	156	140	127	185	205	228
DM090	135	110	91	142	172	211
DM102	137	112	93	145	145	214
DM120	168	151	136	198	219	244
DM150	180	161	145	212	235	262

**TABLE 38: UNIT WEIGHT**

Model	Shipping Weight (lbs.)	Operating Weight (lbs.)
DM078	1046	1041
DM090	865	860
DM102	880	875
DM120	1121	1116
DM150	1200	1195



**FIGURE 5 - UNIT DIMENSIONS**

**TABLE 39: UNIT HEIGHT**

Unit Model Number	X
DM078	50 3/4
DM090	42
DM102	42
DM120	50 3/4
DM150	50 3/4

**TABLE 40: UNIT CLEARANCES**

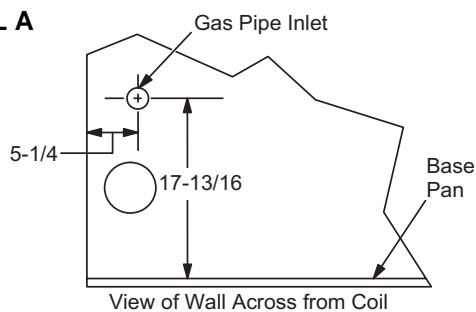
Top*	72"	Right	12"
Front	36"	Left	36"
Rear†	36"	Bottom‡	0"

\* Units must be installed outdoors. Overhanging structure or shrubs should not obstruct condenser air discharge outlet.

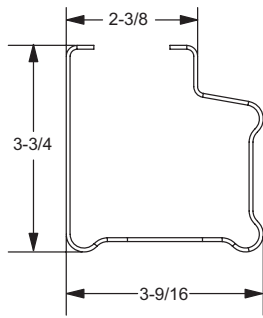
† To remove the slide-out drain pan, a rear clearance of 60" is required. If space is unavailable, the drain pan can be removed through the front by separating the corner wall.

‡ Units may be installed on combustible floors made from wood or class A, B or C roof covering materials.

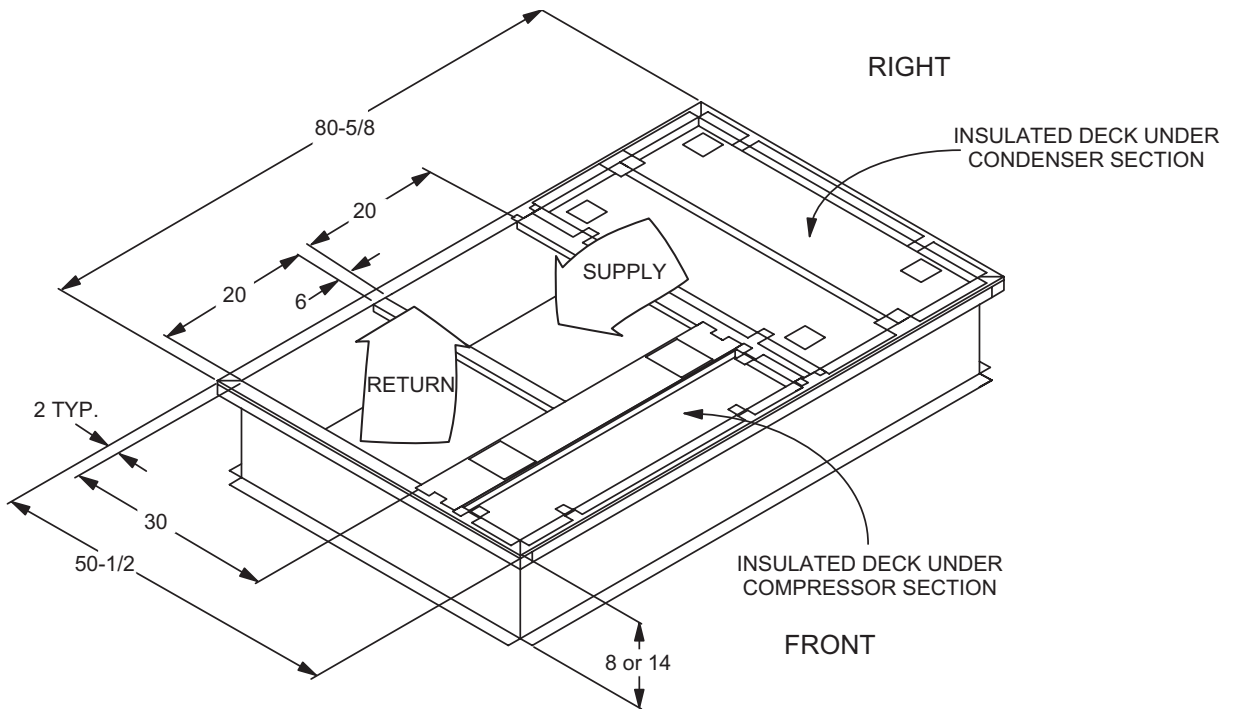
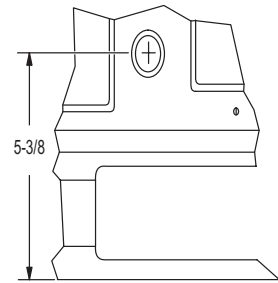
**DETAIL A**



**DETAIL B**



**DETAIL C**



**FIGURE 6 - PREDATOR® ROOF CURB DIMENSIONS**

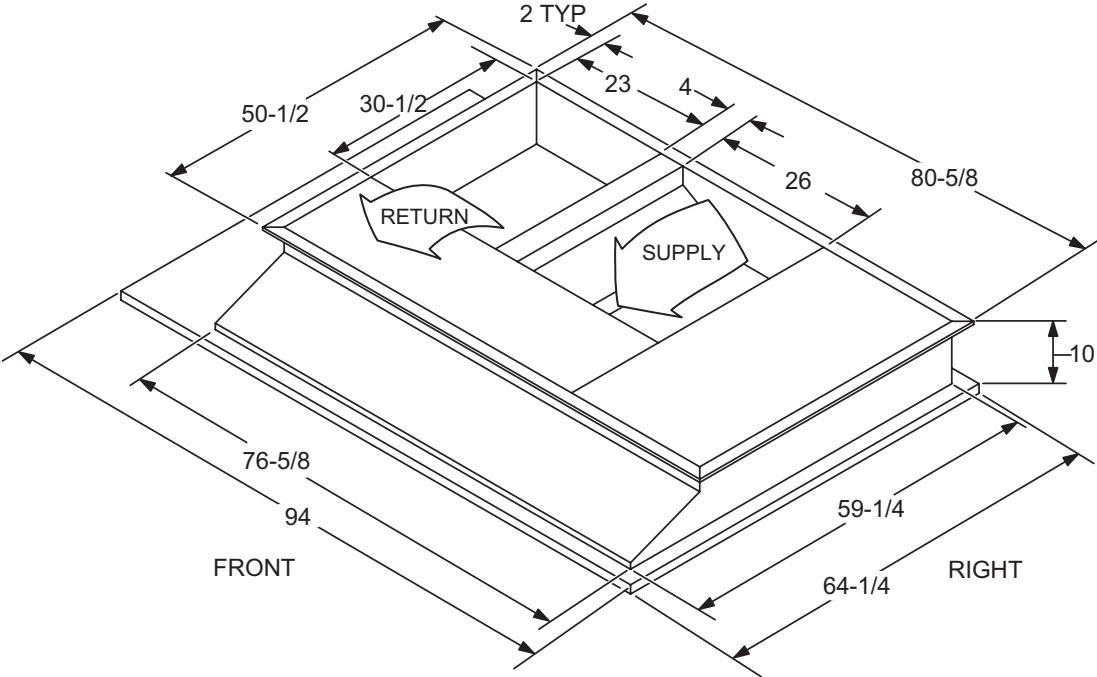


FIGURE 7 - SUNLINE™ TO PREDATOR® TRANSITION ROOF CURBS

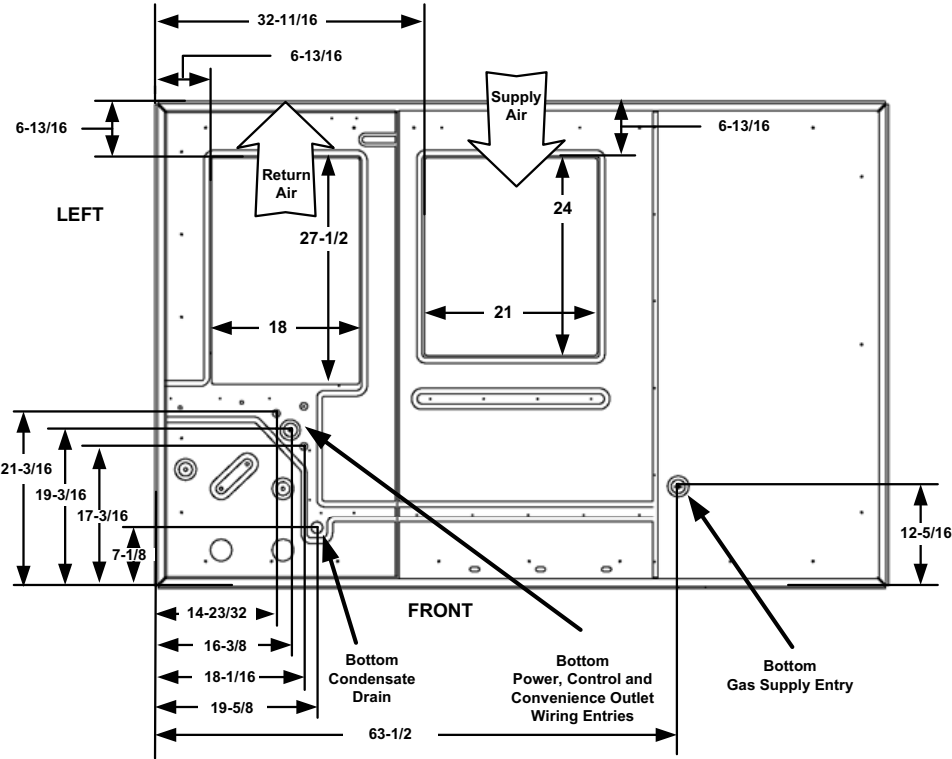
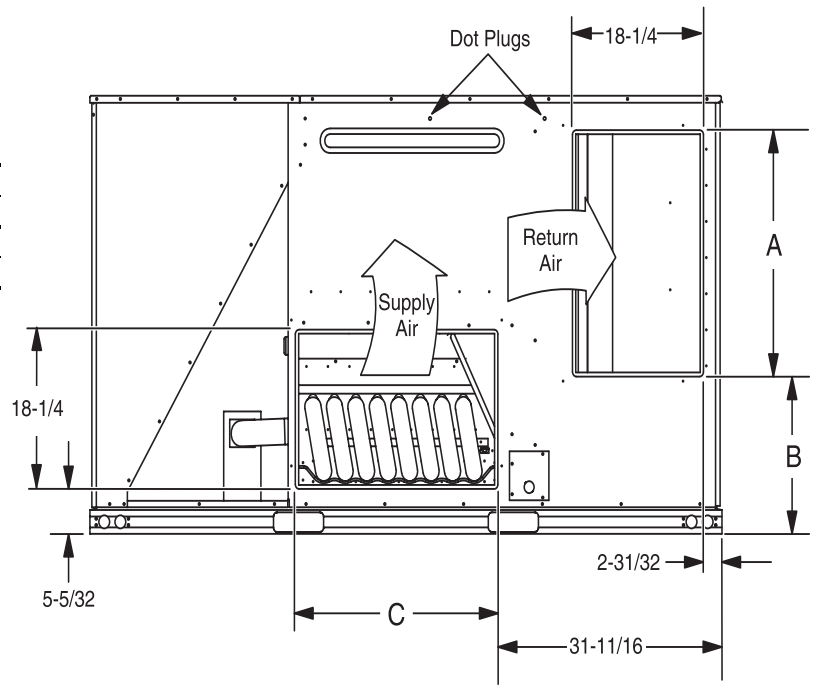


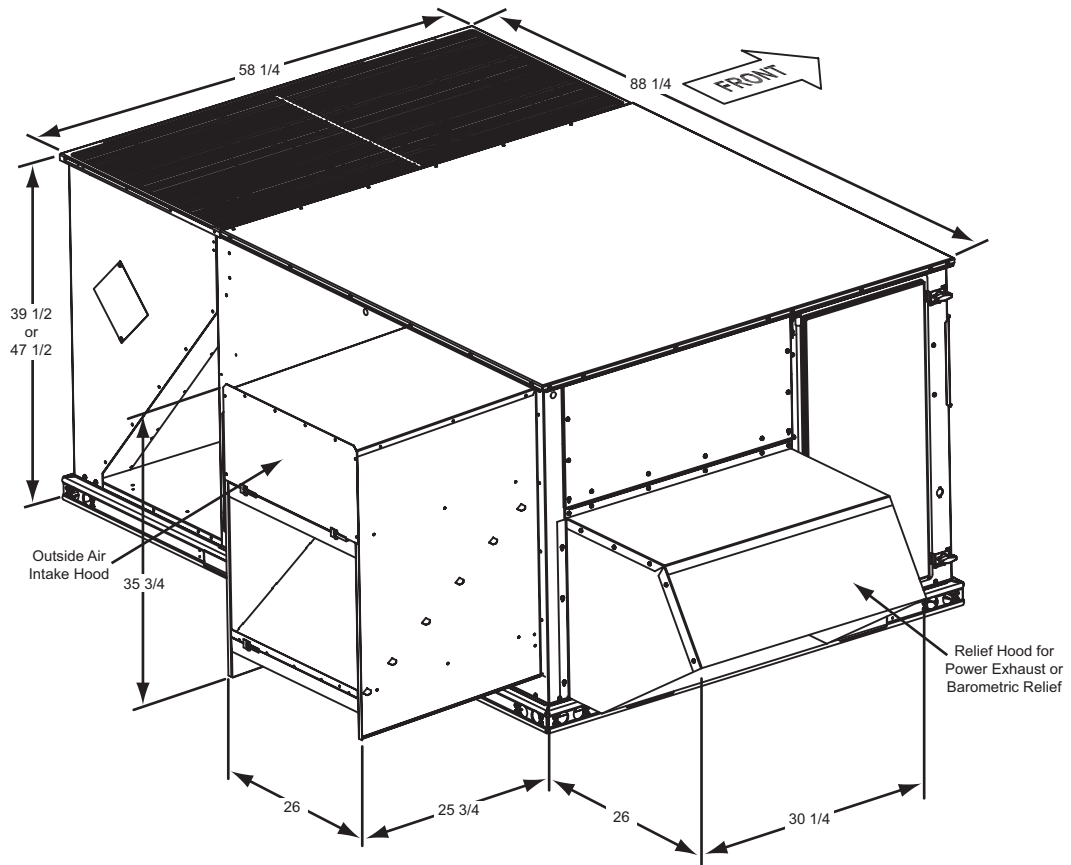
FIGURE 8 - BOTTOM DUCT OPENINGS (FROM ABOVE)

**REAR DUCT DIMENSIONS**

CABINET SIZE	DIMENSION		
	"A"	"B"	"C"
50 3/4"	28 1/4	18 1/16	28 1/4
42"	27 3/4	12 1/16	27 1/2



**FIGURE 9 - REAR DUCT DIMENSIONS**

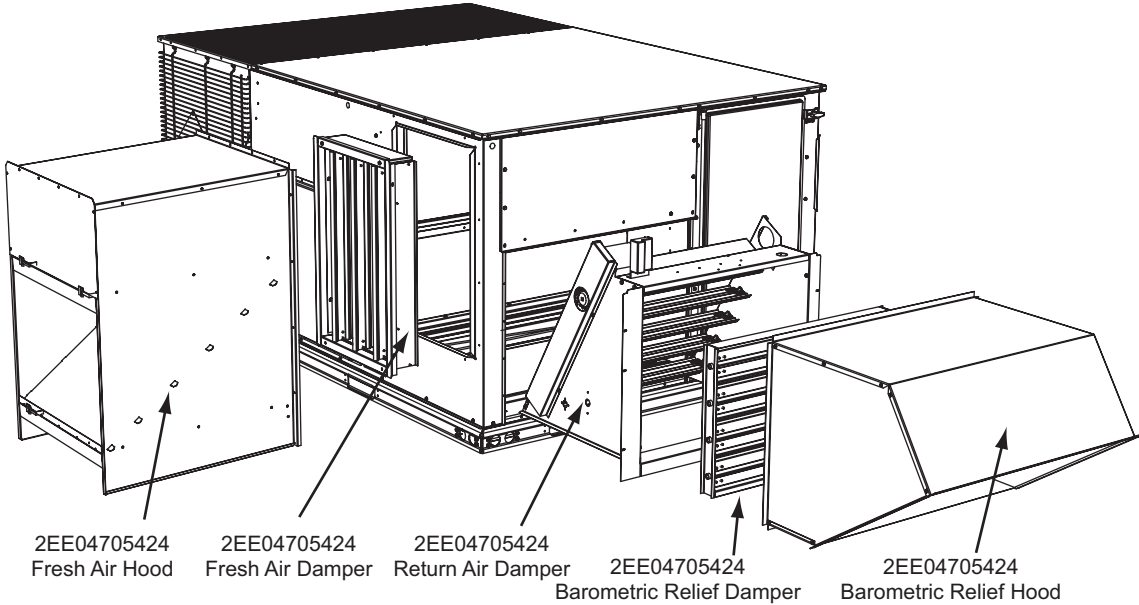


**FIGURE 10 - DOWNFLOW ECONOMIZER HOOD DETAIL**

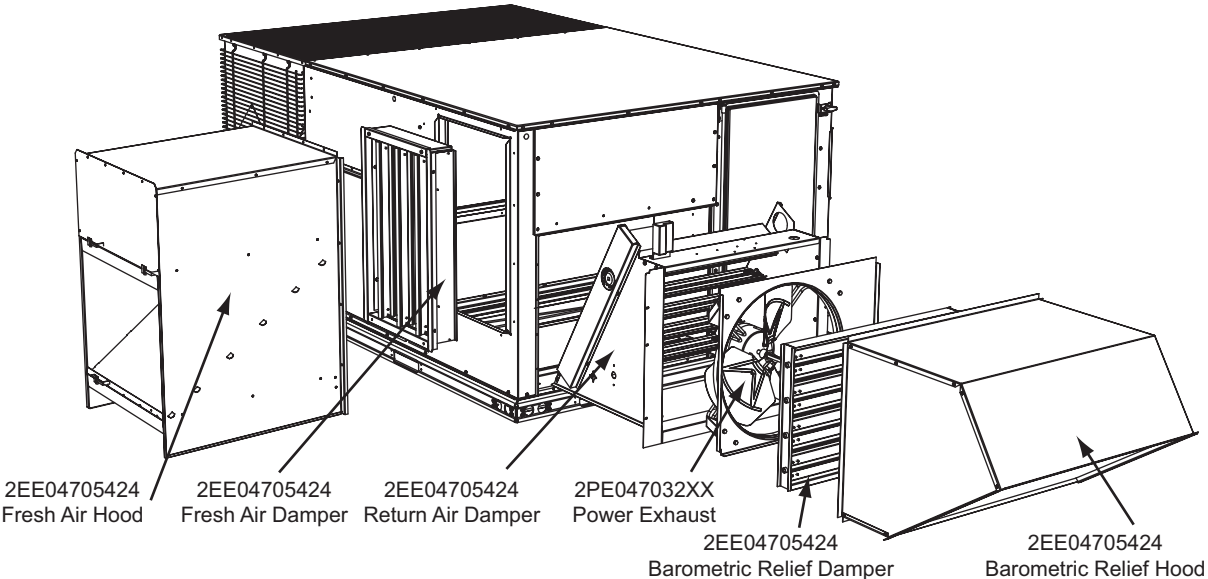
**TABLE 41: ECONOMIZER USAGE**

Application	Cabinet Height	Description	Model
Bottom Return	All	Downflow economizer with barometric relief	2EE04705424
Side Return	All	Horizontal economizer without barometric relief	2EE04705524*
ERV or End Return	42"	Slab Economizer, 42" tall cabinet	2EE04705624†
	50"	Slab Economizer, 50" tall cabinet	2EE04705224†

\* Barometric relief must be ordered separately and installed in duct work.  
 † Barometric relief or fresh air hood not included. Must be ordered separately.

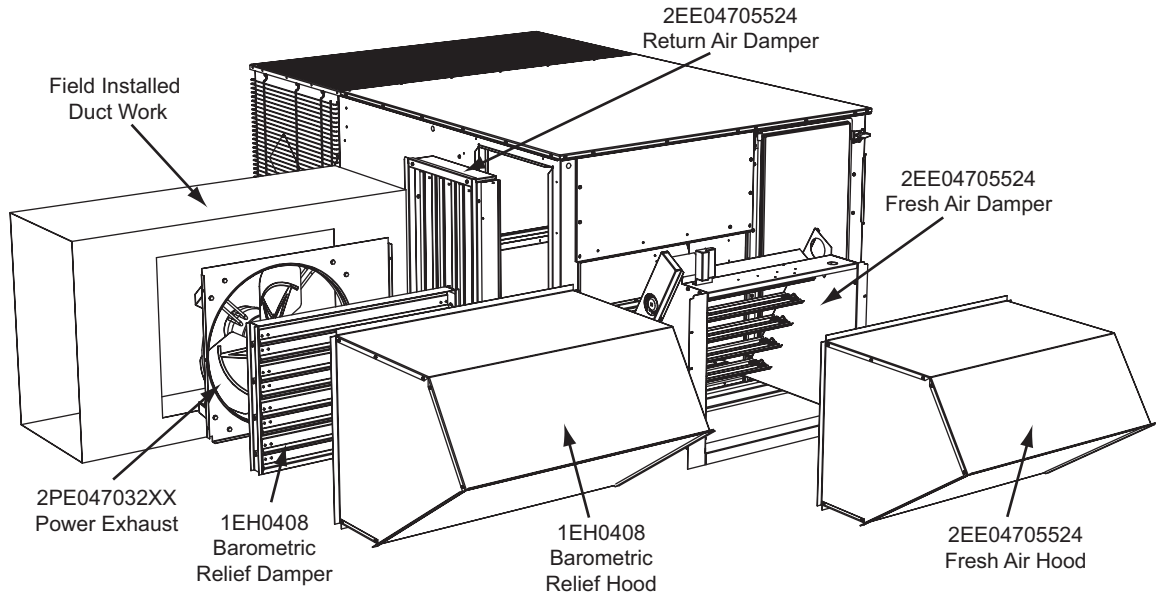


**FIGURE 11 - FACTORY INSTALLED DOWNFLOW ECONOMIZER**

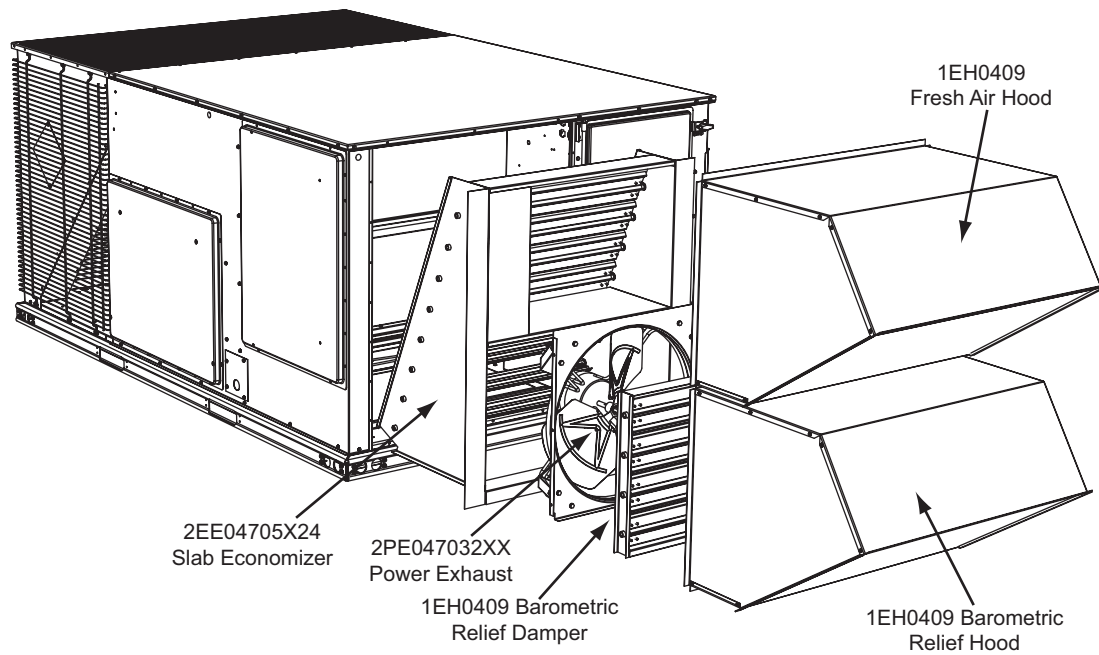


**FIGURE 12 - FIELD INSTALLED DOWNFLOW ECONOMIZER W/POWER EXHAUST**

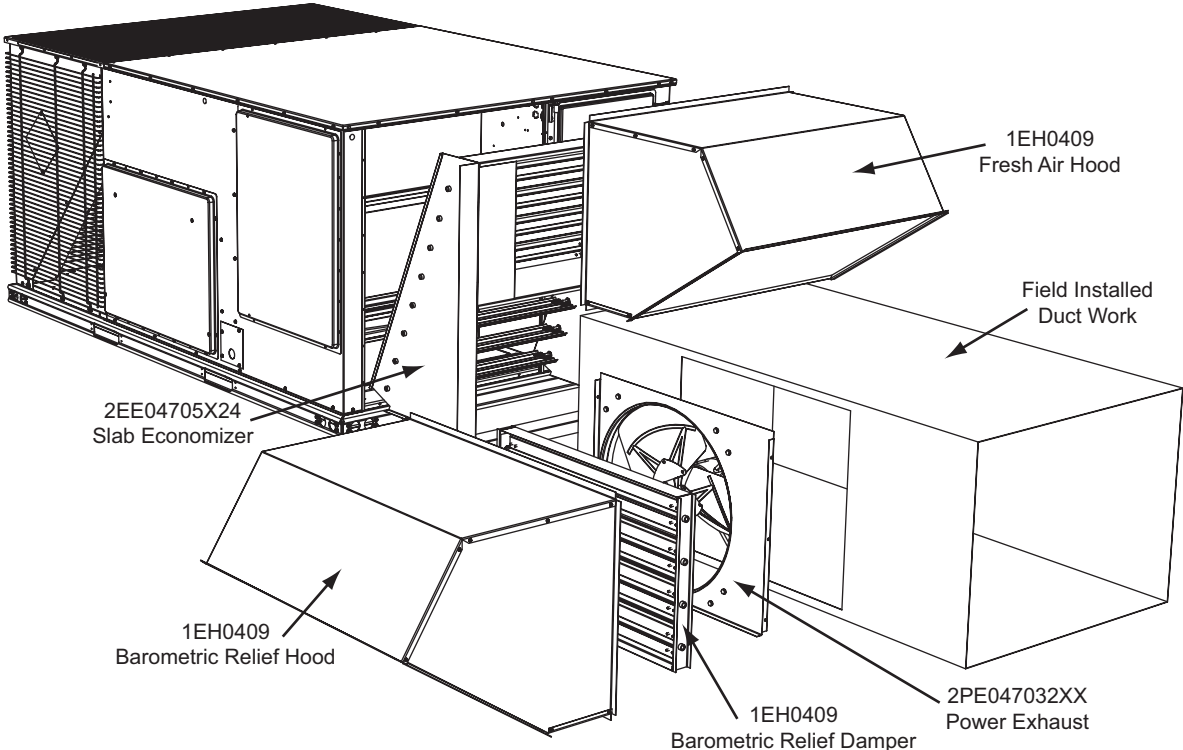




**FIGURE 13 - FIELD INSTALLED HORIZONTAL ECONOMIZER W/POWER EXHAUST**



**FIGURE 14 - SLAB ECONOMIZER DOWNFLOW W/POWER EXHAUST**



**FIGURE 15 - SLAB ECONOMIZER END RETURN W/POWER EXHAUST**

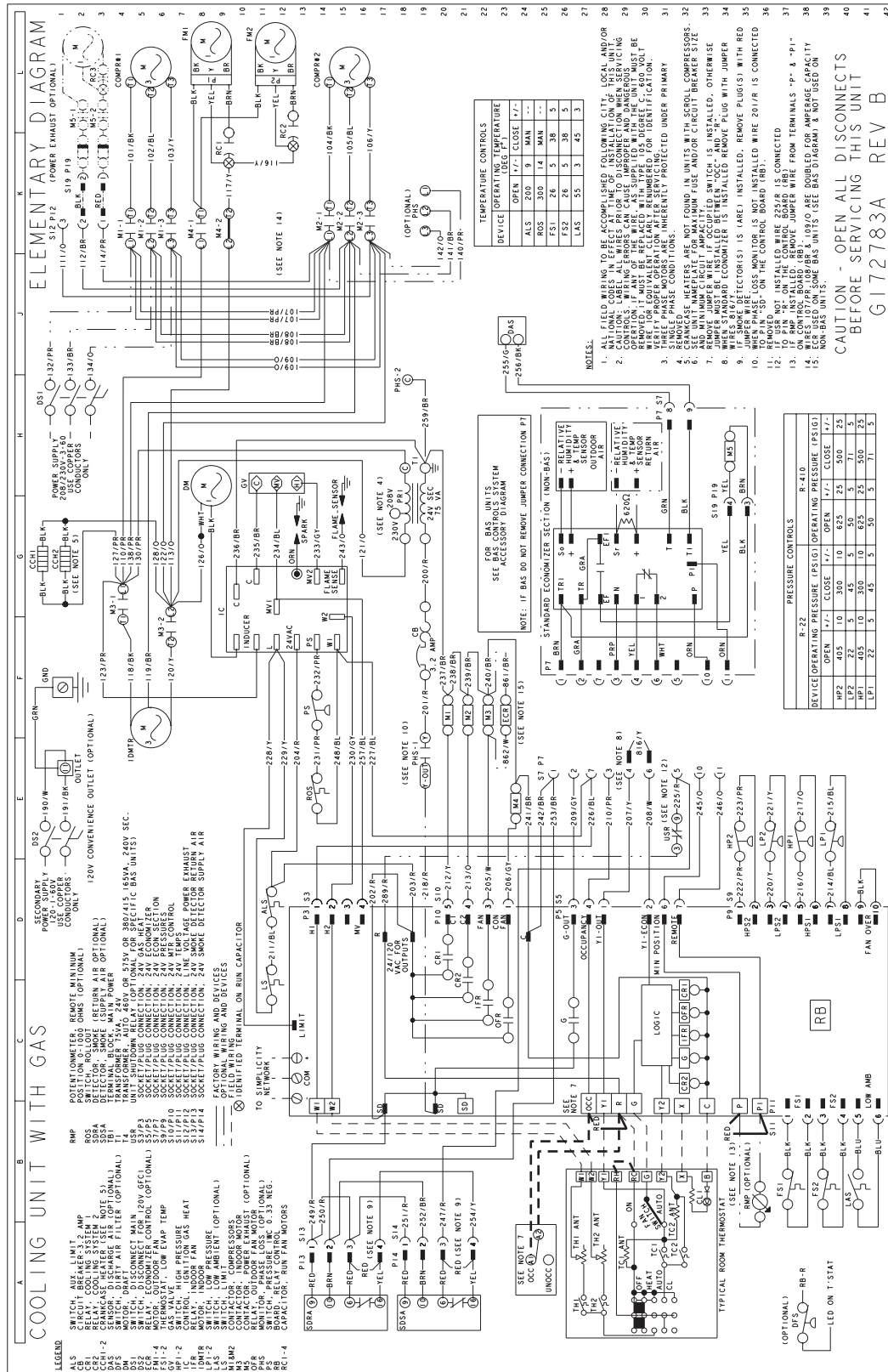


FIGURE 16 - COOLING UNIT WITH GAS HEAT WIRING 230 VOLT DIAGRAM

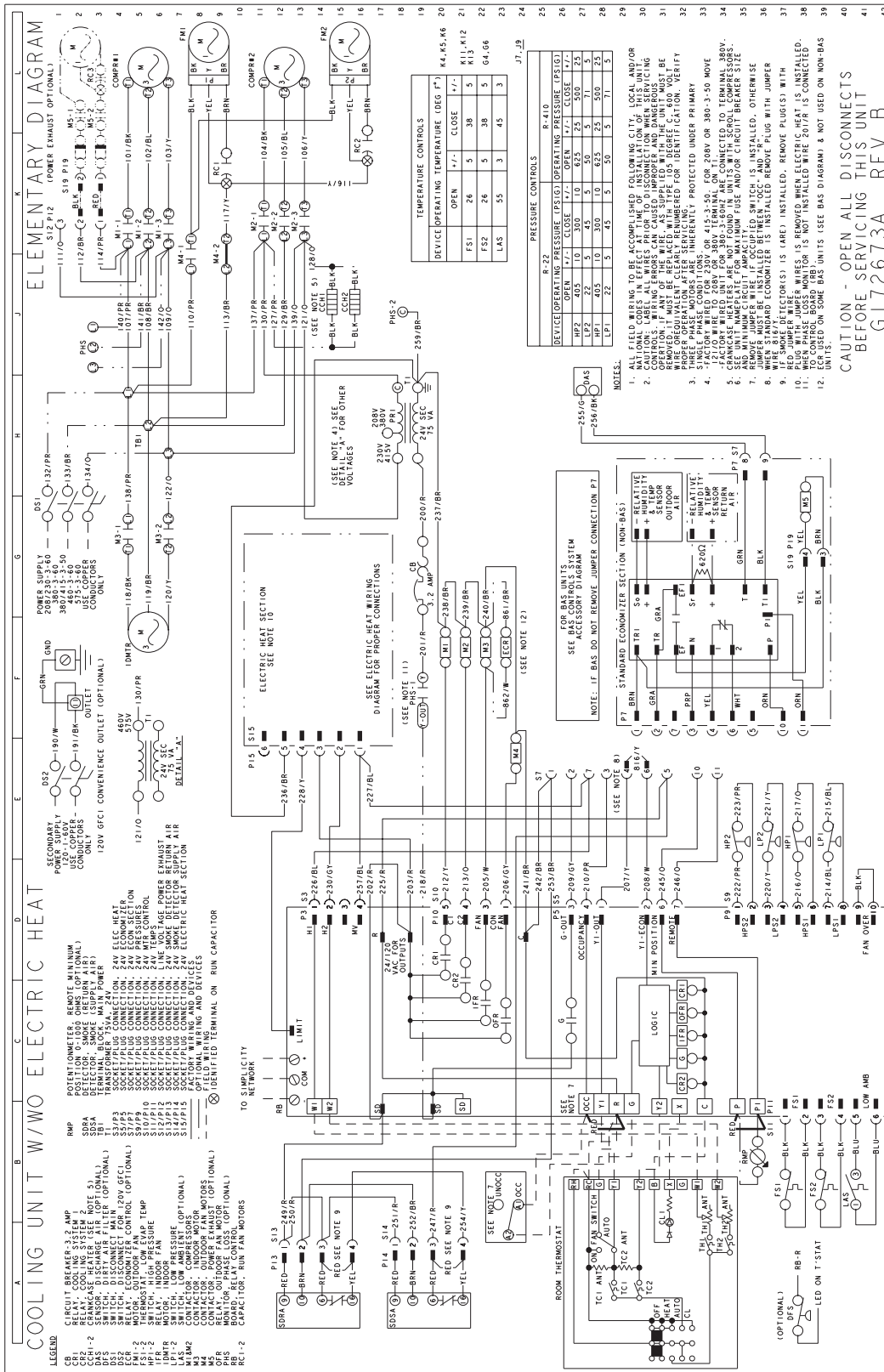


FIGURE 17 - COOLING UNIT WITH/WITHOUT ELECTRIC HEAT WIRING DIAGRAM

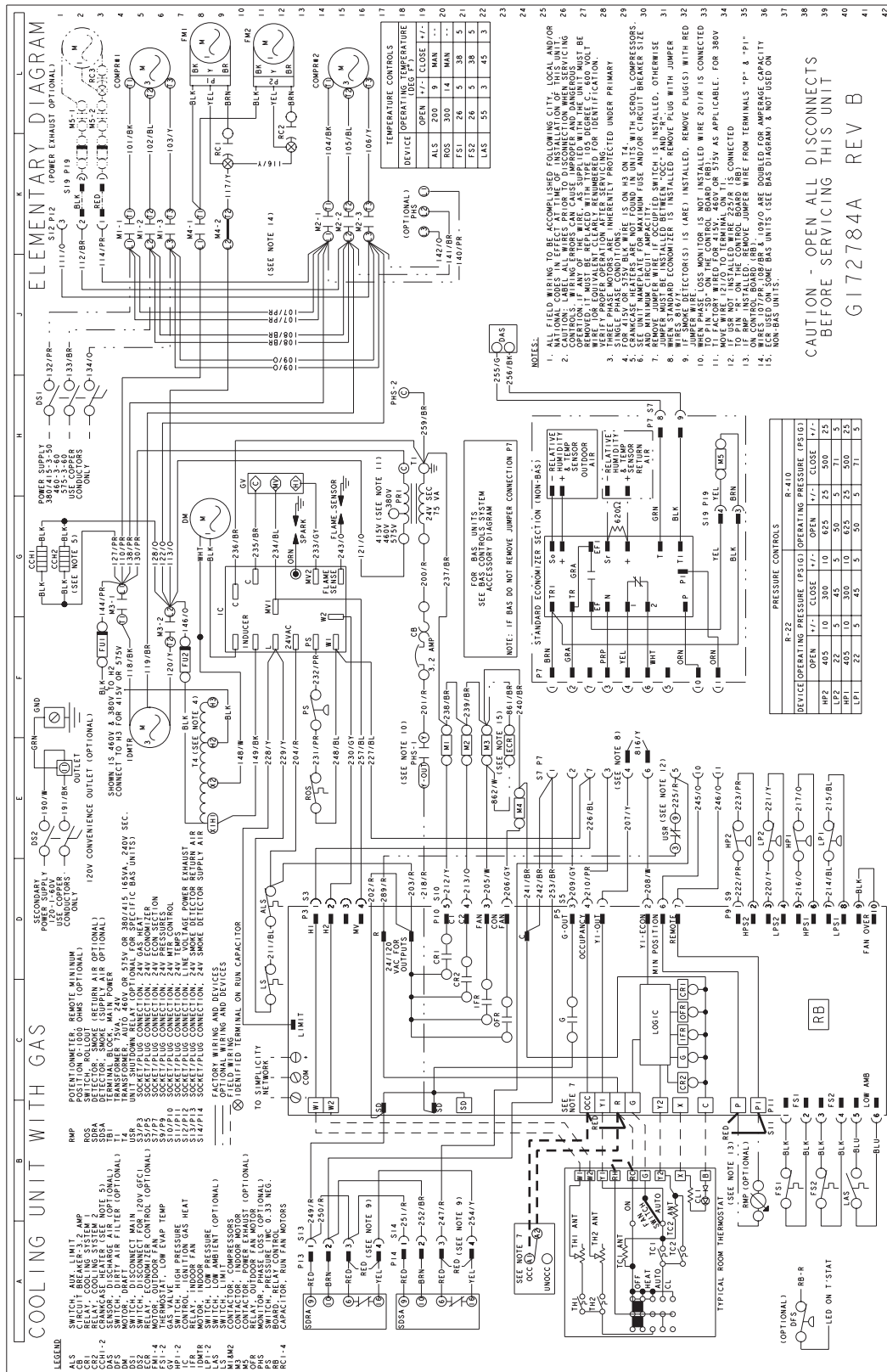


FIGURE 18 - COOLING UNIT WITH GAS HEAT WIRING 460, 575 VOLT AND 50 HZ DIAGRAM

## GUIDE SPECIFICATIONS

### PREDATOR® DM 078, 090, 102, 120 & 150 9.0 EER

#### GENERAL

Units shall be manufactured by York International Unitary Products Group in an ISO 9001 certified facility. YORK® Predator® units are convertible single packages with a common footprint cabinet and common roof curb for all 6-1/2 through 12-1/2 ton models. All units have two compressors with independent refrigeration circuits to provide 2 stages of cooling. The units were designed for light commercial applications and can be easily installed on a roof curb, slab, or frame. All Predator® units are self-contained and assembled on rigid full perimeter base rails allowing for 3-way forklift access and overhead rigging. Every unit is completely charged, wired, piped, and tested at the factory to provide a quick and easy field installation. All units are convertible between side and down airflow. Independent economizer designs are used on side and down discharge applications, as well as all tonnage sizes. Predator® units are available in the following configurations: cooling only, cooling with electric heat, and cooling with gas heat. Electric heaters are available as factory-installed options and field-installed accessories.

#### DESCRIPTION

Units shall be factory assembled, single package, (Elec/Elec, Gas/Elec), designed for outdoor installation. Units shall have a minimum EER of 9.0. They shall have built in field convertible duct connections for down discharge supply/return or horizontal discharge supply/return and be available with factory installed options or field installed accessories. The units shall be factory wired, piped and charged with R-22 refrigerant and factory tested prior to shipment. All unit wiring shall be both numbered and color coded. The cooling performance shall be rated in accordance with DOE and ARI test procedures. Units shall be CSA certified to ANSI Z21.47 and UL 1995/CAN/CSA No. 236-M90 standards.

#### UNIT CABINET

Unit cabinet shall be constructed of G90 galvanized steel with exterior surfaces coated with a non-chalking, powder paint finish, certified at 1000 hours salt spray test per ASTM-B117 standards. Indoor blower sections shall be insulated with up to 1" thick insulation coated on the airside. Aluminum foil faced insulation shall be used in the unit's compartments and be fastened to prevent insulation from entering the air stream. Cabinet doors shall be hinged with tool-less access for easy servicing and maintenance. Full perimeter base rails shall be provided to assure reliable transit of equipment, overhead rigging, fork truck access and proper sealing on roof curb applications. Disposable 2" filters shall be furnished and be accessible through hinged access door. Fan performance measuring ports shall be provided on the outside of the cabinet to allow accurate air measurements of evaporator

fan performance without removing panels or creating bypass of the coils. Condensate pan shall be slide out design, constructed of a non corrosive material, internally sloped and conforming to ASHRAE 62-B9 standards. Condensate connection shall be a minimum of 3/4" I.D. female and be rigid mount connection.

#### INDOOR (EVAPORATOR) FAN ASSEMBLY

Fan shall be a belt drive assembly and include an adjustable pitch motor pulley. Job site selected brake horsepower shall not exceed the motors nameplate horsepower rating plus the service factor. Units shall be designed to operate within the service factor. Fan wheel shall be double inlet type with forward curve blades, dynamically balanced to operate smoothly throughout the entire range of operation. Airflow design shall be constant volume. Bearings shall be sealed and permanently lubricated for longer life and no maintenance. Entire blower assembly and motor shall be slide out design.

#### OUTDOOR (CONDENSER) FAN ASSEMBLY

The outdoor fans shall be of the direct drive type, discharge air vertically, have aluminum blades riveted to corrosion resistant steel spider brackets and shall be dynamically balanced for smooth operation. The outdoor fan motors shall have permanently lubricated bearings internally protected against overload conditions and staged independently. A cleaning window shall be provided on two sides of the units for coil cleaning.

#### REFRIGERANT COMPONENTS

##### Compressors:

- A. Shall be fully hermetic type, direct drive, internally protected with internal high-pressure relief and over temperature protection. The hermetic motor shall be suction gas cooled and have a voltage range of + or – 10% of the unit nameplate voltage.
- B. Shall have internal spring isolation and sound muffling to minimize vibration and noise, and be externally isolated on a dedicated, independent mounting.

##### Coils:

- A. Evaporator and condenser coils shall have aluminum plate fins mechanically bonded to seamless internally enhanced copper tubes with all joints brazed. Special Phenolic coating shall be available as a factory option.
- B. Evaporator and condenser coils shall be of the direct expansion, draw-thru design.

Refrigerant Circuit and Refrigerant Safety Components shall include:

- A. Independent fixed-orifice or thermally operated expansion devices.
- B. Solid core filter drier/strainer to eliminate any moisture or foreign matter.
- C. Accessible service gage connections on both suction and discharge lines to charge, evacuate, and measure refrigerant pressure during any necessary servicing or troubleshooting, without losing charge.
- D. The unit shall have two independent refrigerant circuits, equally split in 50% capacity increments.

Unit Controls:

- A. Unit shall be complete with self-contained low-voltage control circuit protected by a resettable circuit breaker on the 24-volt transformer side.
- B. Unit shall incorporate a lockout circuit which provides reset capability at the space thermostat or base unit should any of the following standard safety devices trip and shut off compressor:
  - (1) High-pressure switch.
  - (2) Freeze-protection thermostat, evaporator coil. If any of the above safety devices trip, an LED (light-emitting diode) indicator shall flash a diagnostic code that indicates which safety switch has tripped.
- D. Unit shall incorporate "AUTO RESET" compressor over temperature, over current protection.
- E. Unit shall operate with conventional thermostat designs and have a low voltage terminal strip for easy hook-up.
- F. Unit control board shall have on-board diagnostics and fault code display.
- G. Standard controls shall include anti-short cycle and low voltage protection, and permit cooling operation down to 0 °F.
- H. Control board shall monitor each refrigerant safety switch independently.
- I. Control board shall retain last 5 fault codes in non-volatile memory, which will not be lost in the event of a power loss.

**GAS HEATING SECTION (IF EQUIPPED)**

Heat exchanger and exhaust system shall be constructed of aluminized steel and shall be designed with induced draft combustion with post purge logic, energy saving direct spark ignition, and redundant main gas valve. The heat exchanger shall be of the tubular type, constructed of T1-40 aluminized steel for corrosion resistance and allowing minimum mixed air entering temperature of 40 °F. Burners shall be of the in-

shot type, constructed of aluminum-coated steel. All gas piping shall enter the unit cabinet at a single location, through either the side or bottom, without any field modifications. An integrated control board shall provide timed control of evaporator fan functioning and burner ignition. Heating section shall be provided with the following minimum protection:

- A. Primary and auxiliary high-temperature limit switches.
- B. Induced draft pressure sensor.
- C. Flame roll out switch (manual reset).
- D. Flame proving controls. Unit shall have two independent stages of capacity (60% 1<sup>st</sup> stage, 100% 2<sup>nd</sup> stage).

**ELECTRIC HEATING SECTION (IF EQUIPPED)**

An electric heating section, with nickel chromium elements, shall be provided in a range of 9 thru 54 KW, offering two states of capacity all sizes. The heating section shall have a primary limit control(s) (automatic reset) to prevent the heating element system from operating at an excessive temperature. The Heating Section assembly shall slide out of the unit for easy maintenance and service. Units with Electric Heating Sections shall be wired for a single point power supply with branch circuit fusing (where required).

**UNIT OPERATING CHARACTERISTICS**

Unit shall be capable of starting and running at 125 °F outdoor temperature, exceeding maximum load criteria of ARI Standard 340/360. The compressor, with standard controls, shall be capable of operation down to 0 °F outdoor temperature. Unit shall be provided with fan time delay to prevent cold air delivery before heat exchanger warms up. (Gas heat only)

**ELECTRICAL REQUIREMENTS** - All unit power wiring shall enter unit cabinet at a single factory provided location and be capable of side or bottom entry to minimize roof penetrations and avoid unit field modifications. Separate side and bottom openings shall be provided for the control wiring.

**STANDARD LIMITED WARRANTIES** - Compressor – 5 Years, Heat Exchanger – 10 Years, Elect. Heat Elem. – 5 Years, Parts – 1 Year

**FACTORY INSTALLED OPTIONAL OUTDOOR AIR** (Shall be made available by either/or):

1. **ELECTRONIC ENTHALPY AUTOMATIC ECONOMIZER** – Outdoor and return air dampers that are interlocked and positioned by a fully-modulating, spring-return damper actuator. The maximum leakage rate for the outdoor air intake dampers shall not exceed 2% when dampers are fully closed and operating against a pressure differential of 0.5 IWG. A unit-mounted potentiometer shall be provided to adjust the outdoor and return air damper assembly to take in outdoor air to meet the minimum ventilation requirement of the conditioned space during normal operation. During economizer operation, a mixed-air temperature control shall modulate the

outdoor and return air damper assembly to prevent the supply air temperature from dropping below 55 °F. Changeover from compressor to economizer operation shall be provided by an integral electronic enthalpy control that feeds input into the basic module. The outdoor intake opening shall be covered with a rain hood that matches the exterior of the unit. Water eliminator/filters shall be provided. Simultaneous economizer/compressor operation is also possible. Dampers shall fully close on power loss. Available with barometric relief or power exhaust.

2. **MOTORIZED OUTDOOR AIR DAMPERS** – Outdoor and return air dampers that are interlocked and positioned by a 2-position, spring-return damper actuator. The maximum leakage rate for the outdoor air intake dampers shall not exceed 2% when dampers are fully closed and operating against a pressure differential of 0.5 IWG. A unit-mounted potentiometer shall be provided to adjust the outdoor and return air damper assembly to take in the design CFM of outdoor air to meet the ventilation requirements of the conditioned space during normal operation. Whenever the indoor fan motor is energized, the dampers open up to one of two pre-selected positions – regardless of the outdoor air enthalpy. Dampers return to the fully closed position when the indoor fan motor is de-energized. Dampers shall fully close on power loss.

**ADDITIONAL FACTORY INSTALLED OPTIONS**

- **ALTERNATE INDOOR BLOWER MOTOR** – For applications with high restrictions, units are available with optional indoor blower motors that provide higher static output and/or higher airflow.
- **CONVENIENCE OUTLET (POWERED/NON-POWERED)** – Unit can be provided with an optional 120VAC GFCI outlet with cover on the corner of the unit housing the compressors.
- **ELECTRIC HEAT** - Electric heaters range from 9 kW to 54 kW and are available in all the voltage options of the base unit.
- **PHASE MONITOR** - Designed to prevent damage in out-of-phase condition.

- **COIL GUARD** - Designed to prevent condenser coil damage.
- **BAS CONTROLS** - Include supply air sensor, return air sensor, dirty filter indicator and air proving switch.
- **DIRTY FILTER SWITCH** – This kit includes a differential pressure switch that energizes the fault light on the unit thermostat, indicating that there is an abnormally high-pressure drop across the filters.
- **BREAKER** – An HACR breaker can be factory installed on gas heat units or cooling units with electric heat.
- **DISCONNECT SWITCH** - A disconnect can be factory installed on a cooling only units sized for the largest electric heat available.
- **STAINLESS STEEL HEAT EXCHANGER** – For applications in a corrosive environment, this option provides a full stainless steel heat exchanger assembly.
- **STAINLESS STEEL DRAIN PAN** – Provides years of trouble-free operation in corrosive environments.
- **SMOKE DETECTOR** – A smoke detector can be factory mounted and wired in the supply and/or return air compartments.

**OTHER PRE-ENGINEERED ACCESSORIES AVAILABLE**

- **ROOF CURB** - 14” and 8” high, full perimeter knockdown curb, with hinged design for quick assembly.
- **BAROMETRIC RELIEF DAMPER** – (Unit mounted – Downflow, Duct Mounted – Horizontal) – Contains a rain hood, air inlet screen, exhaust damper and mounting hardware. Used to relieve internal air pressure through the unit during economizer operation.
- **PROPANE CONVERSION KIT** – Contains new orifices and gas valve springs to convert from natural to L.P. gas.
- **-60 °F GAS HEAT KIT** – Provides an electric heat kit for the gas compartment for use in extreme low ambient conditions.
- **ECONOMIZER** (Downflow and Horizontal flow)
- **POWER EXHAUST** – (Unit mount – Downflow, Duct mount – Horizontal flow)
- **DUAL ENTHALPY KIT** - Provides a second input to economizer to monitor return air.