

## OWNER'S MANUAL



**RX8**  
Forward/ Brake/ Reverse



**SENSORED/  
SENSORLESS**  
1/8 Scale Electronic Speed  
Control

**TEKIN**

## FAN REPLACEMENT

The RX8 comes with a 30mm x 30mm x 7mm 5V Brushless fan. Should the fan need replacement, simply unplug the fans power wires from the RX8, remove the 4 screws that secure the fan to the shroud and slide the fan out of the shroud housing (Fig. 2).

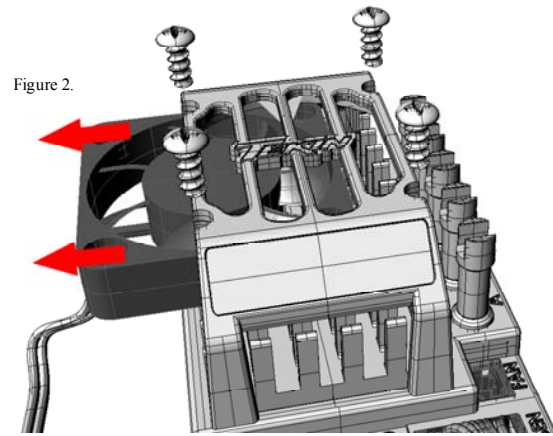


Figure 2.  
TT3812 30x30x7mm Fan

## SOLDERING CONT...

### ATTACHING WIRES TO THE BATTERY:

The same techniques described in the preceding section may be used to solder the wires to the battery or to battery connectors.

**IMPORTANT:** Take precautions if removing factory battery connectors. Connecting the battery backwards will cause damage, and will void warranty. When soldering connectors to a battery pack, cut only one wire of the battery pack at a time to ensure that the exposed wires cannot short together.

**HINT:** If you are using connectors for both the battery and the motor, make sure that they are not the same or that you have a male and a female attached to the speed control wires. That way, you cannot accidentally connect the battery to the motor wires or vice versa.

- 1) Make sure that the connector ends will be mated together correctly, male to female, and that the wire colors match—red to red and black to black.
- 2) Solder the wires from the speed control to each of the connectors, then solder wires from the battery to each connector's mate.

### ATTACHING WIRES TO THE MOTOR:

The same techniques described in section 5 and 6 may be used to solder the wires to the motor.

## CHECK YOUR SOLDERING!

Verify all your solder joints are well flowed and make complete contact within the saddles of each post. Failure at any one of these joints will produce some very undesirable results. Your RX8 is going to live it's life in a hostile environment so make sure it's life lines are secure. Your wires should have some slack to them and be zip tied down so they do not bounce around. Tight wires or unsecured wires will stress your solder joints on the RX8 and eventually break loose, again producing undesired results.

Proper attention to your soldering and install will go a long way with your RX8 and enable you to spend more time blowing out your local track!

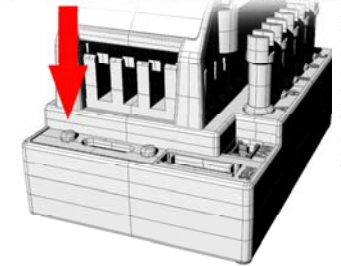
## RADIO CALIBRATION

**NOTE: Before Radio Calibrating,** ensure speed control is hooked up to the receiver, a charged battery is properly connected, and the transmitter is turned on. On your radio, set all trim adjustments to the middle, throttle/brake EPAs and Dual Rate set to max and ensure that your throttle direction is set to "normal". Some Radios will require you to set your throttle mode in reverse in order for your Speed Control to calibrate properly. Calibration; press and hold the MODE button for 3 seconds to enter radio calibrate, let the speed control "find" your neutral, then let it "find" your full throttle and full brake. If you are unsure how to perform this procedure, follow the detailed steps outlined below. After calibrating to your radio, when the speed control power switch is turned ON the unit will begin looking for the neutral signal. If a neutral signal is found the Arming Sequence (flashes LEDs/chime) will occur followed by LED4 on (Neutral), then flashing to LED1 (Current temperature). **HINT:** Once calibrated, the LEDs on the speed control will advance as the throttle or brake is applied.

## QuickTune™

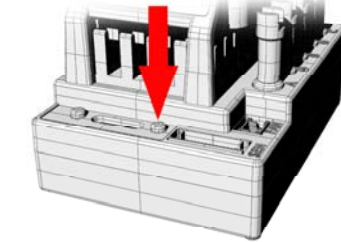
Tekin's QuickTune™

Push "mode" button to access:



Drag Brake  
Brake/Rev Strength  
Current Limiter  
Neutral Width  
Throttle Profile  
Motor Type  
Voltage Cut Off

Push "INC" button to adjust the values of each mode



## INTRODUCTION

Congratulations and thank you for purchasing the RX8, Tekin's High performance sensed large Scale Brushless/Brushed Motor Electronic Speed Control. The RX8 represents a Hybrid solution to sensorless and sensed technologies, providing all the features and robust design qualities of the RS series speed control with the reliable drive capability of a sensed system. Get ready to RACE!

## QUICKSTART

**Figure 6 -Brushless Connection Diagram**  
**Figures 7 & 8- Brushed Connection Diagram**

**CAUTION:** The following statements need to be understood before using the RX8:

- 1) Do not operate speed control in or around water.
- 2) Do not hook-up the battery backwards! No reverse voltage protection.
- 3) Turn on the transmitter first THEN turn on the speed control.
- 4) Disconnect battery from speed control when not in use.
- 5) Insulate exposed wire with heat shrink tubing to avoid shorts.
- 6) The RX8 series is intended for 1/8 scale or smaller vehicles.

## SOLDERING

**TIPS & TRICKS:** Place the speed control upright and use servo tape to secure it to the bench. Doing so provides a stable work area and allows easy access to the solder posts (Fig. 3). A good rule of thumb is that if a wire is to hot to hold at about 2 inches out in the wire, then the soldering iron has been on the joint to long—stop, let everything cool, then try again.

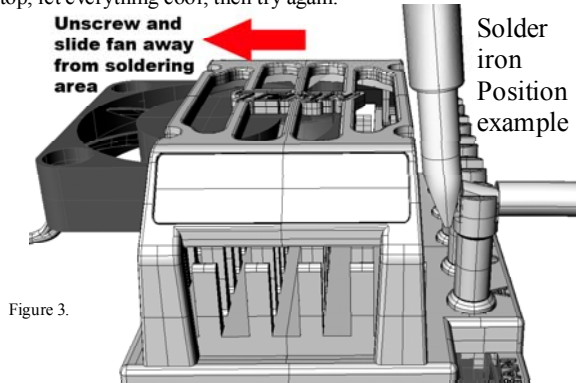
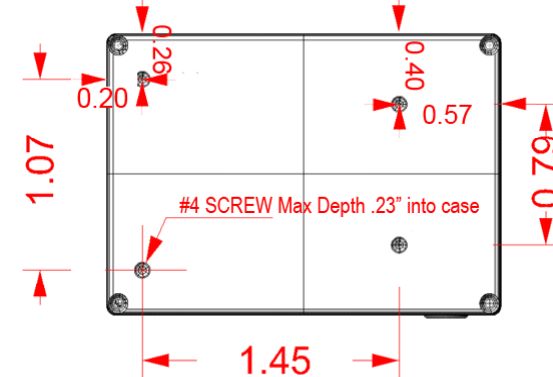


Figure 3.

- Heat Posts
- Heat Wire
- THEN heat both

## HOOKUP INSTRUCTIONS

### MOUNTING HOLE DIMENSIONS



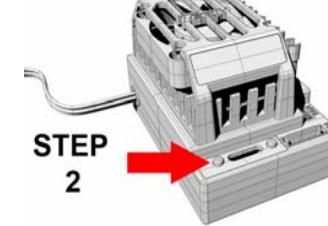
- 1) **CONNECT SPEED CONTROL TO RECEIVER**  
Plug the speed control into the throttle channel of the receiver.
  - Channel 1: Servo
  - Channel 2: Speed Control

"REMEMBER: 1 to Turn, 2 to Burn"
- 2) **CONNECT SPEED CONTROL TO BATTERY**  
Visually verify that the connector on the battery pack and the speed control match the chart below then connect.

## RADIO CALIBRATION, CONT...

### STEP 1 Push "mode" button for 3 seconds

Turn on Radio and then your RX8



### STEP 2

STEP 3, LEAVE Trigger centered for NEUTRAL

STEP 4, PULL Trigger to full THROTTLE

STEP 5, PUSH Trigger for full BRAKE



Once the Speed Control has successfully recognized Neutral, Full throttle and Full brake it will save the settings and reboot. You are now ready to drive!

**QuickTune Example:** Let's say you want to use a 4 cell LiPo battery. To change the Voltage Cutoff from the default setting (1 = None) to setting 4 (4 = 12.0 Volt Cutoff), first follow step 1 above by pressing and releasing the MODE button 7 times. Now press and release the INC button, the LED should show the current setting of 1. Press and release the INC button 4 times and the LED will move to position 4, indicating that Voltage Cutoff is now set to 12.0 Volts. Wait 5 seconds and the ESC returns to normal operation.

**HINT:** If you wish to set another Program Feature, press the "MODE" button again. After 5 seconds pause, the values you selected will be saved in memory and the speed control will resume normal operation.

## Pit Tune Mode

**PIT TUNING:** If you are in the pit area and cannot use your transmitter you may use pit tuning mode to adjust settings by following this procedure: Unplug the steering servo from the receiver to avoid servo damage. Hold down either MODE or INCR button while turning the power switch on. LEDs will ramp up and down in sequence indicating you are in pit tune mode. The user settings will be active, but the motor will not run and the speed control will not respond to receiver signals. Turn the speed control power off and back on to resume normal operation.

## BEFORE YOU BEGIN

### Plan Speed Control Placement

- 1) Choose a location for the speed control that is protected from debris. To prevent radio interference place the speed control as far away from the radio receiver as possible and keep the power wires as short as possible. Plan on routing power and motor wires away from the radio receiver and radio wires.
- 2) For best results clean the bottom of the speed control and chassis. Peel off the cover on one side of the doubled-sided tape, (included) and stick to the bottom of the speed control. DO NOT peel off the other side yet.
- 3) Use a small piece of double-sided tape on the ON/OFF switch.
- 4) Determine how you would prefer to connect the motor and battery pack to the speed control. For the motor, using connector pairs such as Tekin's Hi-Power Connectors are preferable for most applications as it allows you to easily change motors (Fig. 1).

TT 3054 4.0 mm High Power Connector  
TT 3055 5.5 mm High Power Connector  
TT 3056 6.5 mm High Power Connector



Figure 1.

## SOLDERING CONT...

### ATTACHING WIRES TO THE SPEED CONTROL:

- 1) Red wires are usually used to connect the speed control to the positive battery terminal and the positive motor terminal. Black wire is typically used for the battery negative terminal. Inspect the housing on the speed control next to each post or refer to the diagrams to determine which color wire to attach to each post.
- 2) Strip back the insulation of the wire by about 3/32" to 1/8" and "pre-tin" the wire by heating the end and applying solder until it is thoroughly covered. **CAUTION:** Be very careful not to splash yourself with hot solder.
- 3) Place the tip of the iron in the notch on top of the post and apply a small amount of solder to the post. When the solder has flowed, remove the soldering iron, wipe the tip clean and apply a small amount of fresh solder to it.
- 4) Pre-Heat both the wire and the post.
- 5) Hold the wire so the tinned end is in contact with the notch of the post. Now touch the iron tip to the wire and the post. Wait about 4 seconds for the solder to flow, and then remove the iron while still holding the wire. You may let go of the wire after a second or two when the solder sets.

## HOOKUP INSTRUCTION, CONT.

**DO NOT CONNECT BATTERY INCORRECTLY TO SPEED CONTROL, VERIFY THAT THE BATTERY POSITIVE WIRE WILL CONNECT TO THE SPEED CONTROL POSITIVE WIRE BEFORE CONNECTING!**

ESC	BATTERY
(-) Black Wire	(-) Negative
(+) Red Wire	(+) Positive

- 3) **CONNECT SPEED CONTROL TO MOTOR.** First, determine if your motor is Brushless or Brushed type.
- 4) If using a "SENSORED" motor, connect the sensor wire from ESC to the motor. If running unsensored, remove the sensor wire from both the RX8 and the motor.

SPEED CONTROL	BRUSHLESS MOTOR
(A) Red Wire	(A) Red
(B) White/Blue Wire	(B) White/Blue
(C) Black Wire	(C) Black

SPEED CONTROL	BRUSHED MOTOR
(-) Black Wire	(-) Negative
(+) Red Wire	(+) Positive

## SPEED CONTROL SPECIFICATIONS

Controls, RX8	Fwd/Brk or Fwd/Brk/Rev
Input Power (Cells)	(2-6S LiPo)
Motor Limits, RX8 Brushless Brushed Fwd Mode Brushed Fwd/Rev Mode	No Limit No Limit No Limit
On Resistance, RX8 Brushless Brushed Fwd Brushed Fwd/Rev	0.00015 Ohms 0.00005 Ohms 0.00015 Ohms
Max Current	210 Amps Per/Phase Per MFG specs
BEC	6 Volts, 5 Amps
Dimensions, RX8	1.5" x 2.2" x 1.4"

## QuickTune™ MODES

MODE	RANGE	DEFAULT
DRAG BRAKE (DB)	1-13	1 (No Drag)
BRAKE/REVERSE STRENGTH (BS) —Brushless Mode Only	1-13	4&5
PUSH CONTROL ANTI DRAG (PC)—Brushed Mode Only	1-13	1 (Off)
CURRENT LIMITER (LIM)	1-13	13 (No Limit)
NEUTRAL WIDTH (NW)	1-13	4&5
THROTTLE PROFILE (TP)	1-6	3 (Linear)
MOTOR TYPE (MT)	1-7	3 (Brushless) (Fwd/Brk/Rev w/ Delay)
VOLTAGE CUTOFF (VC)	1-7	1 (NONE)

**LED Display:** The LEDs light bar displays values in several ways: One LED shown at a time indicates a value range of 1-7. One or two LEDs that "walk" up the display can show a greater range of 1-13 values. Critical Settings (Motor Type and Voltage Cutoff) are indicated by multiple lights, making it easier to verify correct settings—pay close attention to these when adjusting.

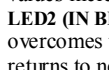
## ADJUSTMENT MODES



**LED1: DRAG BRAKE** provides immediate braking action in the neutral zone. This gently slows the car down when you let off the trigger. Higher values increase the degree of drag braking.



**LED2 (IN BRUSHLESS MODE): REV/BRAKE STRENGTH** adjusts your maximum brake strength and reverse speed when in brushless mode. Higher values increase brake strength and increase reverse speed.



**LED2 (IN BRUSHED MODE): PUSH CONTROL or ANTI-DRAG** overcomes the natural drag of a brushed motor when throttle returns to neutral. This setting eliminates the need to trim the throttle forward to create a coasting (pushing) effect. Low values give you a short duration push, higher values a longer duration push.



**LED3: CURRENT LIMITER** adjusts the throttle response during acceleration, gentle to abrupt. Low values allow low amounts of current to pass to the motor, higher values allow higher amounts of current. The highest value (13) turns off current limit.



**LED4: NEUTRAL WIDTH** adjusts your dead band around the neutral point. A low neutral width value provides more sensitive trigger response around neutral. A higher value allows you to move the trigger slightly before throttle or brake is engaged.

## HotWire™ PC INTERFACE

The HotWire PC Interface (TT1450) unlocks the full potential of your Tekin Speed Control, much more than just a pretty interface to your user-adjustable settings. When you connect the HotWire to your speed control you can download and install the latest software revisions as improvements and features are added to the speed control design. Further, because Tekin continually seeks to push performance levels, we occasionally releases Beta Version Software. With the HotWire you can, if you so choose, elect to join the team and become part of our Product Research and Development at Team Tekin.

The HotWire also allows you to adjust several hidden features not accessible through the on-board programming, such as user-defined Custom Throttle Profiles, Custom Voltage Cutoffs, Timing Boost and Adjustable Timing. Another feature is the ability to save and reload settings. If you want to recall the settings that helped put you in the A-Main last time, you can save your settings, then later instantly tweak your speed control to revert to that particular track and specific driving conditions. If you feel like leveling the playing field, you can share your custom settings with a friend.

Even better, downloadable speed control configurations from our top-level drivers give you access to the exact speed control settings that they have used in specific setups and for particular races! Check it out at [www.teamtekin.com/HotWire](http://www.teamtekin.com/HotWire)

## TROUBLESHOOTING CONT...

**SERVO WORKS, THROTTLE DEAD**  
If LEDs 1,3 and 5 are flickering, it indicates that Voltage Cutoff may be set above battery pack voltage. Check that cutoff is correctly set and that battery is fully charged. Motor or connections to motor are bad. Speed control not plugged into throttle channel on receiver, or receiver plug connection is bad. May be in Pit Tune mode.

**STUTTERING UNDER HEAVY ACCELERATION**  
Damaged or disconnected power capacitor. Receiver bad or getting magnetic field interference. Try adding an electrolytic cap on the power supply (BATT socket) of receiver. Move power wires away from receiver. Remove any zip ties securing wires and check for kinked, broken, or damaged motor wires. Twist motor wires around each other to help suppress noise.

**WILL NOT CALIBRATE**  
Neutral on radio is set outside of the speed controls expected range, adjust throttle trim and/or trigger "NORMAL/REVERSE" setting.

**BRAKES DO NOT WORK AT ALL**  
Speed control or radio transmitter improperly adjusted. Adjust EPAs on transmitter all the way out and recalibrate speed control to radio.

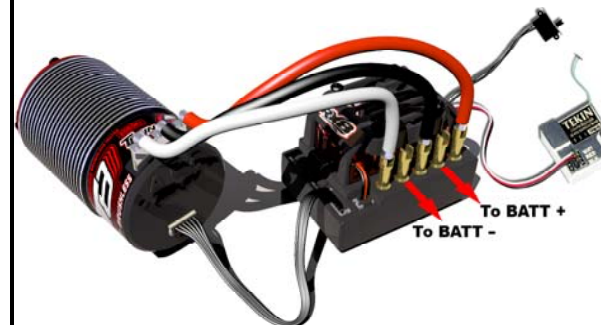
**MOTOR RUNS BACKWARDS**  
First check that your radio trigger setting is set to NORMAL, not REVERSE, then perform a radio calibration. Verify that your speed control is not set to Motor Type 7 Brushless Reversed Rotation.

## Brushless

Sensored

Motor Type Settings

1. FWD/BRK
2. FWD/BRK/REV
3. FWD/BRK/REV Delay
7. FWD/BRK/REV Delay REVERSED ROTATION



DO NOT SWITCH ANY TWO PHASE WIRES TO REVERSE MOTOR ROTATION. SELECT CORRECT MOTOR TYPE 7 TO REVERSE MOTOR ROTATION

Figure 6.

## BRUSHLESS MOTORS

- For RX8 Brushless Connection, Refer to Figure 6.**
- 1) Connect the battery pack: BAT (+) to the speed control BAT (+) then BAT (-) to the speed control BAT (-).
  - 2) **IMPORTANT:** Before connecting the motor, determine if the motor is sensored or sensorless and that you have the correct motor type selected on the speed control.
  - 3) Select Motor Type: Press and release the MODE button 6 times to get to the MOTOR TYPE selection in the user settings. Press and release the INC button once to view the current motor type selected. If necessary, continue to press and release the INC button to scroll through the motor types until brushless motor type is selected.
  - 4) Power off the speed control and connect the motor wires, matching colors appropriately.
  - 5) Wiring: Connect A, B and C wires from the motor to the A, B and C posts on the Speed Control, verify this is correct for proper function. Determine whether you would prefer to use connectors from speed control to motor and from speed control to battery. Refer to the instructions in the Soldering section of this manual for more information and refer to Figure 1.
  - 6) Power on the speed control, listen for the arming chime. Congratulations, you are ready to drive!

## ADJUSTMENT MODES CONT...



**LED5: THROTTLE PROFILES**



- 1) Mildest profile, concave (LED1 ON)
- 2) Mild profile, concave (LED1-LED2 ON)
- 3) Linear profile (LED1-LED3 ON)
- 4) Aggressive profile convex (LED1-LED4 ON)
- 5) More aggressive profile, convex (LED1-LED5 ON)
- 6) User Custom (LED1-LED6 ON) Requires Tekin HotWire
- 7) User Custom (LED1-LED7 ON) Requires Tekin HotWire



**LED6: MOTOR TYPE**



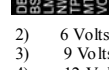
- 1) Brushless, Fwd/Brk (LED1 ON)
- 2) Brushless, Fwd/Brk/Rev (LED1-LED2 ON)
- 3) Brushless, Fwd/Brk/Rev Delay (LED1-LED3 ON)
- 4) Brushed, Fwd/Brk (LED1-LED4 ON)
- 5) Brushed, Fwd/Rev (LED1-LED5 ON)
- 6) Brushed, Fwd/Brk/Rev Delay (LED1-LED6 ON)
- 7) Brushless, For Reversed Motor Rotation Installs, Fwd/Brk/Rev Delay. (LED1-LED7 ON)



**LED7: VOLTAGE CUTOFF**



**IMPORTANT:** LiPo batteries, DO NOT operate your vehicle with factory default Cutoff Voltage setting (None).



- 1) NONE (LED1 ON). For NiCd/NiMH Cells.
- 2) 6 Volts (LED1-LED2 ON). Use for 2 Cells LiPo (2S)
- 3) 9 Volts (LED1-LED3 ON). Use for 3 Cells LiPo (3S)
- 4) 12 Volts (LED1-LED4 ON). Use for 4 Cells LiPo (4S)
- 5) 15 Volts (LED1-LED5 ON). Use for 5 Cells LiPo (5S)
- 6) 18 Volts (LED1-LED6 ON). Use for 6 Cells LiPo (6S)
- 7) CUSTOM (LED1-LED7 ON) Custom cut off settings. Requires Tekin HotWire.

## RX8 DRIVE MODES

The RX8 speed control is capable of running all brushless motors in sensorless mode. However the default used is Tekins D2 technology, this "Dual Drive" allows the speed control to start out in sensorless mode then switch to sensorless mode while at higher rpms. Dual Drive mode uses mechanical/motor timing at start up then uses software driven timing after the start up routine has phased into sensorless drive.

With Tekins RX8 speed control you can quickly verify your speed control and motor are communicating properly simply by observing the RX8 LEDs to the right (5, 6 and 7). If the RX8 speed control is reading the motors sensors, LEDs 5, 6 and 7 will dimly light up in a sequence corresponding to the rotation of the shaft. This indicates that all sensors within the motor are functioning correctly and the system is ready to roll. Should one sensor go bad during the course of a run the RX8 switches into sensorless mode, enabling you to finish out the race!

If you are not seeing LEDs 5, 6 and 7 dimly light up in a sequence: -Check that your sensor wire harness is secure. -Insure that there are no broken pins or a damaged wire harness. -Cross check with another sensored motor. This will tell you whether or not you have a damaged hall effect sensor within the motor.

## TROUBLESHOOTING CONT...

**NO REVERSE**  
QuickTune mode, Brake/Reverse Type is set to option 1. QuickTune mode, Brake/Reverse Type is set to option 3 (transmitter trigger must be in neutral position for 1 second before reverse is enabled).

**MOTOR WILL NOT SHUT OFF OR RUNS SLOWLY**  
Incorrect radio calibration or throttle trim setting on transmitter. Check transmitter settings and recalibrate speed control. Moisture in speed control: Unhook batteries and let the speed control dry.

**MOTOR CUT OUT/POOR RANGE**  
Transmitter batteries are low or damaged. Mismatched crystals. The three-wire cable from speed control to receiver may be routed improperly, try rerouting. This speed control radiates very low noise and you should have no trouble with interference. If you do have interference, mount the speedo in an alternate location. Try to keep the receiver away from the batteries, power wires, metal or graphite.

**THROTTLE WORKS, SERVO DEAD**  
Broken servo. Servo plug wiring is bad or incorrectly wired.

**LED's 1&2, 6&7 FLASHING**  
Incorrect motor type selected. Change motor type to correct motor setting. Loose or failed connection on one of the motor wires. Check motor wire solder joints at ESC and Motor.

## Brushed

Motor Wiring Diagrams

Figure 7.

Motor Type Setting

4. FWD/BRK

Forward Only

To Motor -

SHARED To BATT +

To Motor -

To BATT -

To Motor -

To Motor -

To Motor -

To BATT +

To Motor -

To BATT -

To Motor -

To Motor -

To Motor -

To Motor -

To Motor -

To Motor -

To Motor -

To Motor -

To Motor -

To Motor -

To Motor -

To Motor -

To Motor -

To Motor -

To Motor -

To Motor -

To Motor -

To Motor -

To Motor -

To Motor -

To Motor -

To Motor -

To Motor -

To Motor -

To Motor -

To Motor -

To Motor -

To Motor -

To Motor -

To Motor -

To Motor -

To Motor -

To Motor -

To Motor -

To Motor -

To Motor -

To Motor -

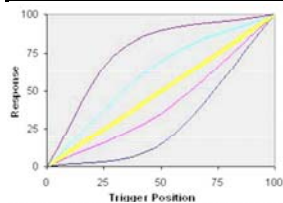
To Motor -

To Motor -

## BRUSHED MOTORS

- For RX8 Brushed Connection, Refer To Figs 7 or 8.**
- 1) Connect the battery pack: BAT (+) to the speed control BAT (+) then BAT (-) to the speed control BAT (-).
  - 2) **IMPORTANT:** Before connecting the motor, first plug the speed control into the receiver, connect a charged battery, then power on your transmitter. Turn on the speed control and perform a radio calibrate.
  - 3) Select Motor Type: Press and release the MODE button 6 times to get to the MOTOR TYPE selection in the user settings. Press and release the INC button once to view the current motor type selected (brushed types are indicated by LEDs 1-4, 1-5, or 1-6 lit—See Adjustment Modes table for motor type details).
  - 4) Forward Only Wiring (use only Motor Type 4): Refer to Fig. 7 and the instructions in the Soldering section of this manual. Connect all 3 speed control motor outputs together, then connect them to the NEG (-) terminal of the motor. Connect another wire from the motor's POS (+) terminal to the BAT (+) terminal on the speed control.
  - 5) Forward/Reverse Wiring (Motor Types 5&6): Refer to Fig. 8, connect motor NEG (-) terminal to speed control (C) post, then connect motor POS (+) terminal to speed control (A) post. NOTE: Speed control (B) is not used.
  - 6) Power on the speed control, listen for the arming chime.

## THROTTLE PROFILES



- 1) Mildest profile, concave
- 2) Mild profile, concave
- 3) **Linear profile (DEFAULT)**
- 4) Aggressive profile convex
- 5) More aggressive profile, convex

## TEMPERATURE MONITOR

The On-Board Temperature Monitor works to provide you with important feedback on speed control temperature, helping you to adjust gearing and avoid long term heat damage. To use;

- 1) The speed control must be calibrated to your radio and the radio must be in the neutral position.
- 2) The middle LED will be on steady then blink out every 2 seconds.
- 3) At the moment that the center LED blinks out, one or more of the other LEDs will light up.
- 4) LEDs 1-3 lit is typical of light loads or a stock motor. LEDs 1-6 lit indicates heavy loads and is typical when running mod motors. LEDs 1-7 lit indicates high internal temperatures approaching thermal shutdown. Discontinue use until the speed control returns to normal operating temperature.

## TROUBLESHOOTING

**HINT: When powered on, the ESC emits an all-systems-go chime if it is connected correctly to the motor and sees a valid neutral signal from your radio.**

**NO LIGHTS COME ON**  
Check for dead batteries. Check the connections between the batteries and the speed controller and that the switch is in the "ON" position. Verify that there are no bad connections at the speed controller. If you had a failed ESC update via the HotWire, simply re-update the ESC with your HotWire.

**ALL LEDs FLASHING**  
No radio signal can be found. Check receiver connection and verify that ESC is plugged into correct channel. Verify transmitter and receiver are functioning properly.

**BOTTOM OR TOP 3 LEDs FLASHING**  
Radio signal found, but neutral point from transmitter is out of expected range. Speed control not calibrated properly or radio settings have been changed. Adjust trim and recalibrate speed control as described in the Radio Calibration section.

**SERVO AND THROTTLE DEAD**  
Check for dead batteries, bad battery connections to speed control, bad receiver plug connection, broken power switch, broken wires, bad or mismatched crystals, or bad radio equipment. Check that servo plug is not shorting to the speed control plug and that speed control is plugged into THR (CH2).

## FACTORY RESET

The RX8 has a built-in factory reset mode that resets all user programmable settings to the default values. To activate, turn the speed control on, then press/hold INC button and then press/hold MODE button simultaneously for 3 seconds. After 3 seconds the LEDs will ramp up in sets of three. NOTE: Activating the self-test mode also resets all the radio calibration settings to their default values.

## T8 SENSORED MOTORS

- |                     |                     |
|---------------------|---------------------|
| TT2350 4030B 2650kv | TT2360 4038T 2250kv |
| TT2351 4030B 2050kv | TT2361 4038T 2000kv |
| TT2352 4030B 1900kv | TT2362 4038T 1700kv |
| TT2353 4030B 1700kv | TT2363 4038T 1550kv |
| TT2354 4030B 1400kv | TT2364 4038T 1350kv |

Couple the RX8 with a Tekin T8 Redline Sensored Motor for precision controllability and unmatched power!

## ERROR CODES

LED INDICATOR (S)	ERROR DESCRIPTION
All LEDs Flashing	No Radio Signal, check radio system
LEDs 1,2,3 Flashing	Radio signal found but lower than expected, See Radio Calibration Section
LEDs 5,6,7 Flashing	Radio signal found but higher than expected, See Radio Calibration Section
LEDs 1,3,5 Flashing	Voltage Cutoff set below battery voltage or in hi-temperature thermal shutdown
LEDs ramp up then down	ESC is in Pit Tune Mode
LED's 3&4 Flashing	Short Circuit Detected! Remove battery and check setup wiring carefully! Check servo plug.
LED 4 on briefly, then flashes to one or more other LEDs	Normal operation, see Temperature Monitor Section.
LED1&2, 6&7 Flashing	Wrong Motor Type selected

## OPERATING TIPS

**BRAKE STRENGTH:** Reducing your brake strength helps control excess skidding during heavy braking and on loose surfaces. **DRAG BRAKE:** Increased drag brake settings help by allowing you to concentrate less on braking, more on driving a good line, and can also be very helpful with free-spinning slotless motors. **NEUTRAL WIDTH:** A tight neutral width can interfere with correct operation of Drag Brake and Push Control if your radio trigger does not return precisely to the same neutral position.

## WARRANTY / REPAIR

TEKIN, INC. guarantees speed controllers to be free from factory defects in materials and workmanship for a period of 120 days from date of purchase, when verified by sales receipt. This warranty does not cover: suitability for specific application, components worn by use or improper voltage, tampering, misuse, or shipping. Our warranty liability shall be limited to repairing unit to our original specifications. Because we have no control over the installation or use of this product, in no case shall we be liable for damages.

- Additionally, these items void the warranty:
- 1) Using the same polarity connectors on the battery and motor wires from the speed controller.
  - 2) Allowing water or moisture into the speed controller.
  - 3) Incorrect wiring or use inconsistent with the instructions.
- WARRANTY SERVICE:** For warranty work, you MUST CLAIM WARRANTY on A COMPLETELY FILLED OUT PRODUCT SERVICE FORM and include a VALID CASH REGISTER RECEIPT with purchase date, dealer name & phone# on it, or an invoice from previous service. If warranty provisions have been voided, there will be service charges.

**REPAIR:** Before sending your RX8 in for service, please review the Instructions and Troubleshooting sections. After reviewing these instructions, if your speed control still requires service, please contact our customer service department for additional assistance.

**NOTE: Hobby dealers or distributors are not authorized to replace TEKIN products thought to be defective.**

**Tekin, Inc.**  
McCall, Idaho  
(208) 634-5559  
[www.teamtekin.com](http://www.teamtekin.com)