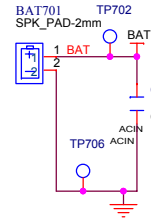
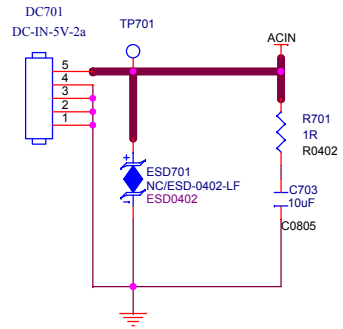
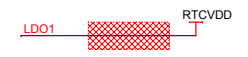
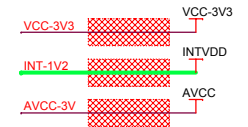
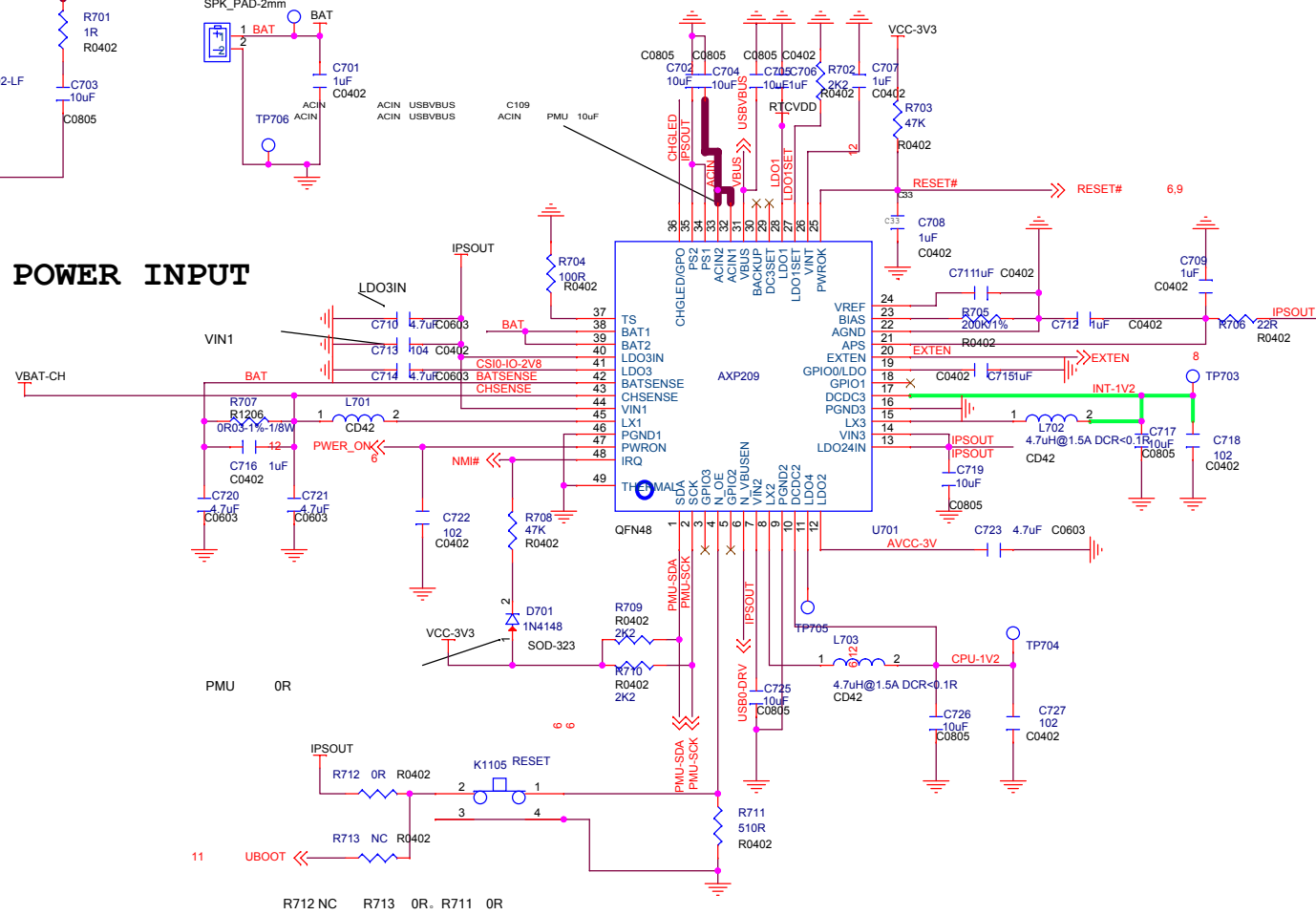


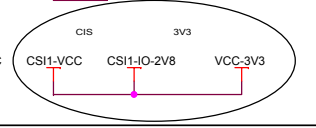
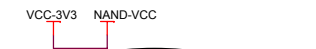
POWER-PMU



POWER INPUT



POWER LINE:Width>=60mil

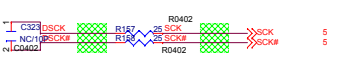
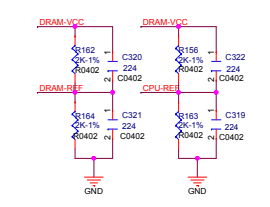
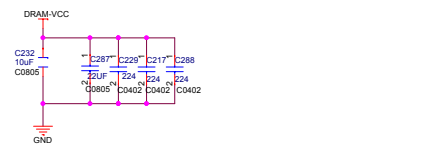
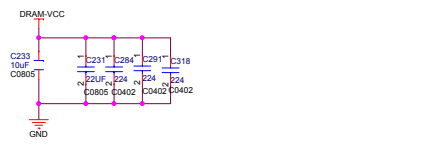


MAINCHIP_PAD_DDR3

Title			
POWER-PMU			
Size	Document Number	Rev	
A3	<V1.0>		
Date:	Saturday, May 26, 2012	Sheet	1 of 10

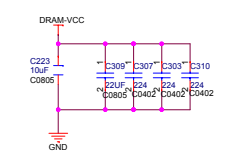
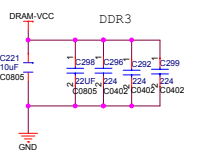
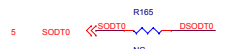
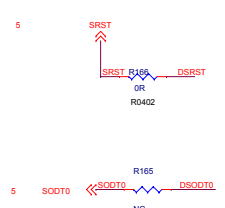
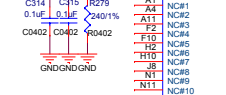
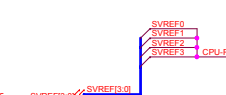
DDR3 8bit x 4ea

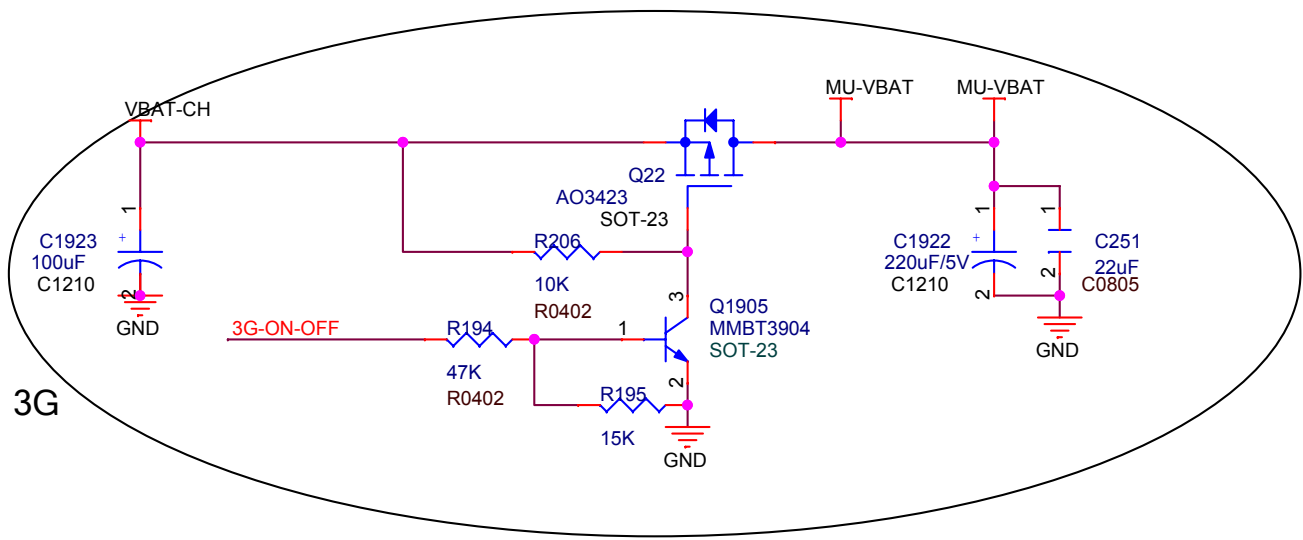
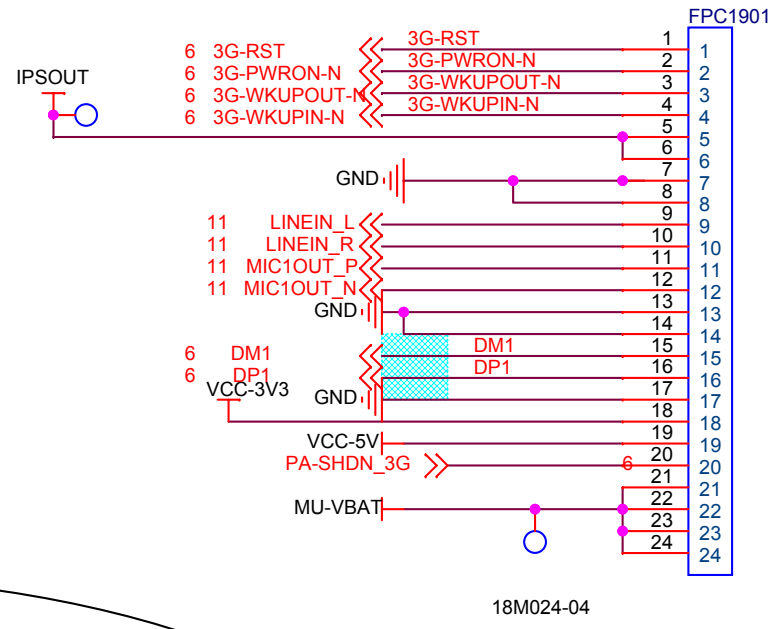
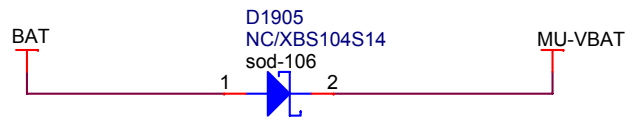
DDR TFBGA82



Differential pairs Z0= 100 ohm

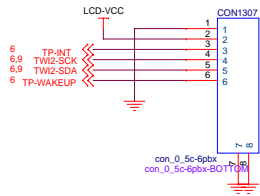
Equilong BUS Z0= 50 ohm



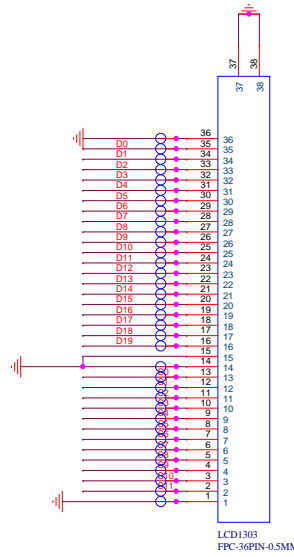
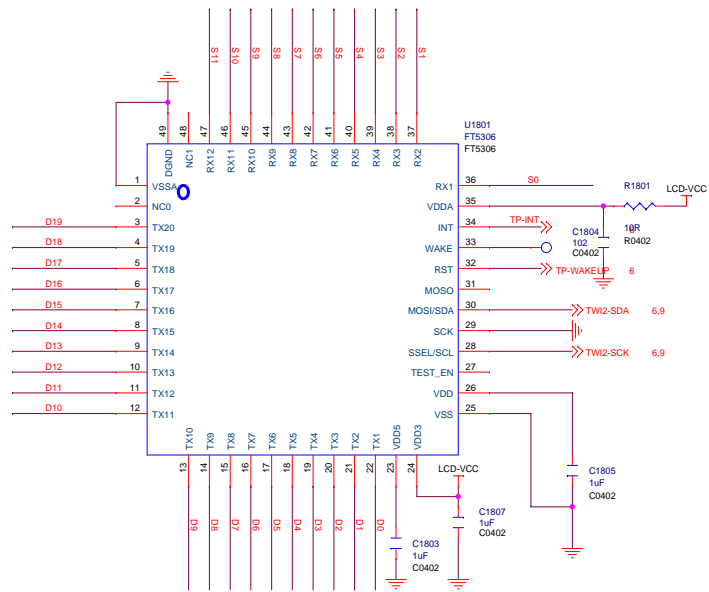


6 3G-ON-OFF ←← 3G-ON-OFF

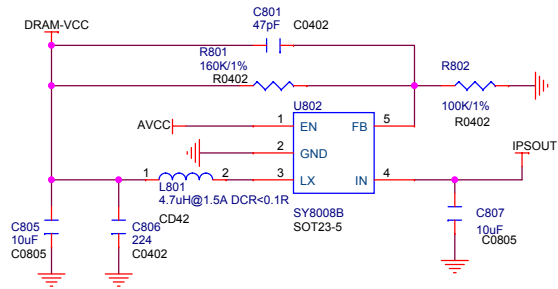
Title		
<Title>		
Size	Document Number	Rev
A	<Doc>	<RevCode>
Date:	Saturday, May 26, 2012	Sheet 1 of 1



con_0_5c-6pbx
con_0_5c-6pbx-BOT

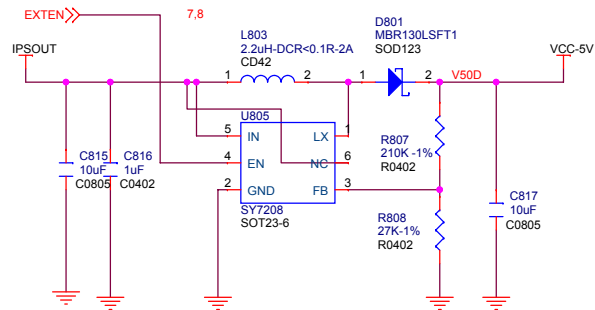
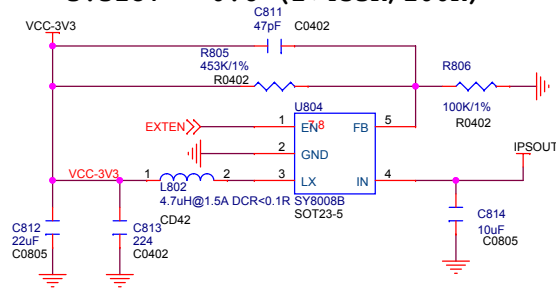


POWER-DC/DC



$$V_{out} = 0.6 * (1 + R1/R2)$$

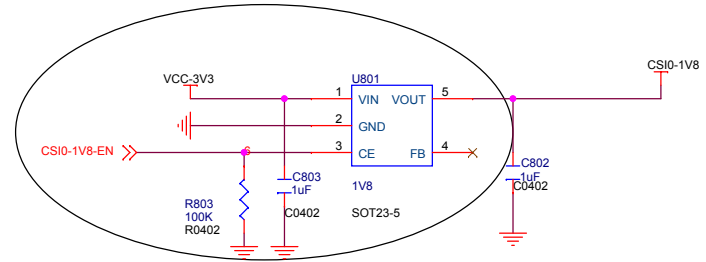
$$3.318V = 0.6 * (1 + 453K/100K)$$



$$V_{out} = 0.6 * (1 + R1/R2)$$

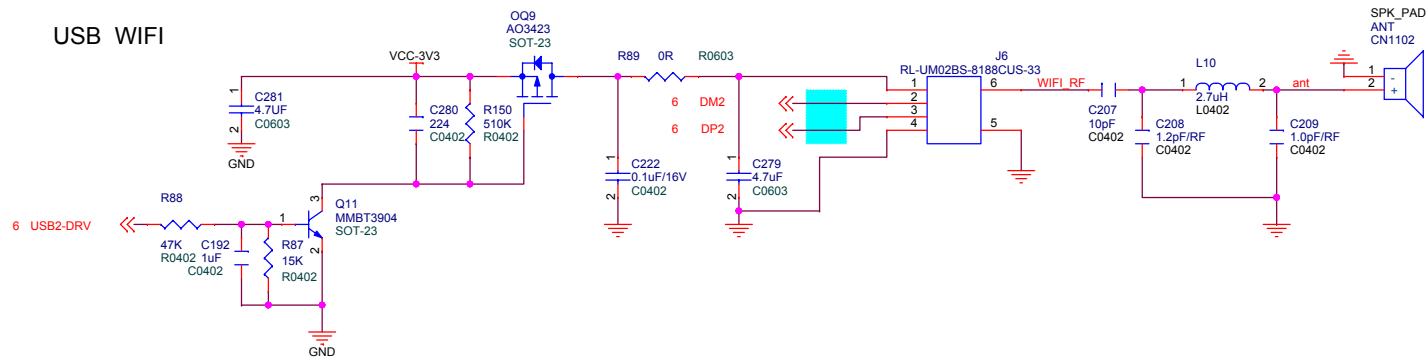
$$5.26V = 0.6 * (1 + 210K/27K)$$

0.1

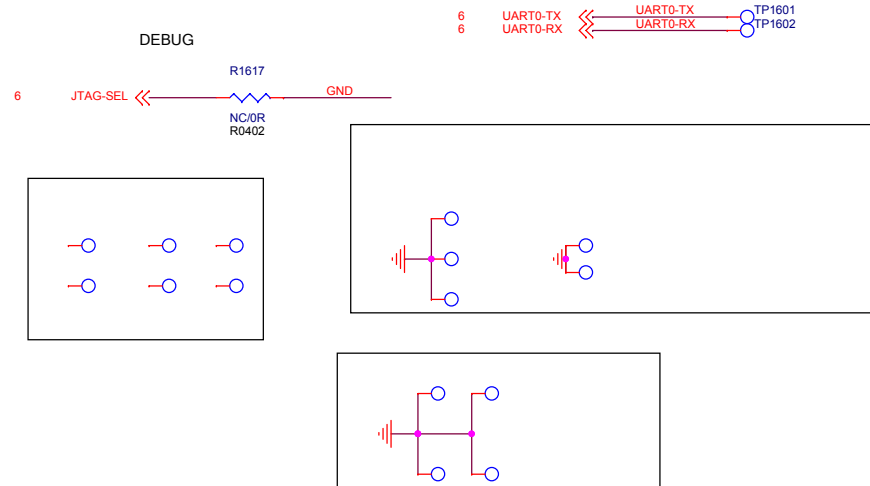


MAINCHIP_PAD_DDR3			
File	POWER-DC/DC		
Size	Document Number	<V1.0>	Rev
A3			
Date:	Saturday, May 26, 2012	Sheet	2 of 10

USB WIFI



DEBUG



USB WIFI

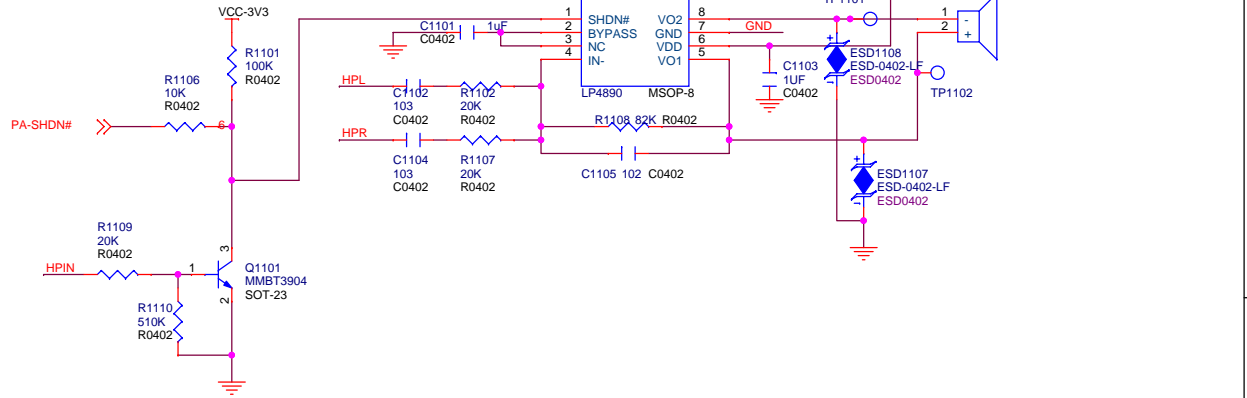
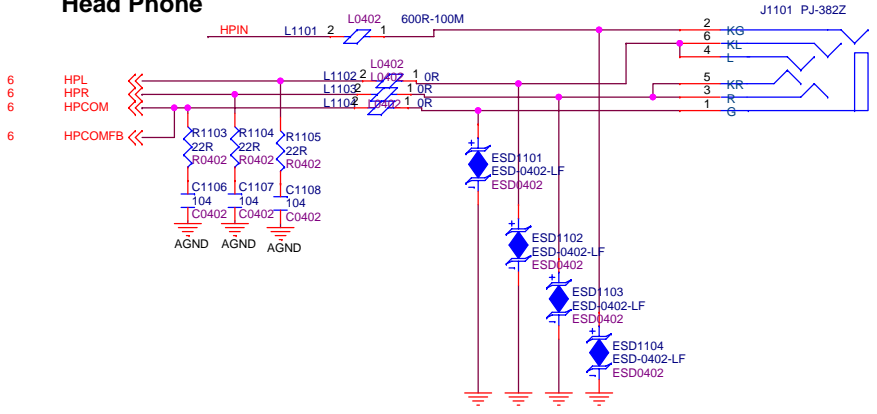


Differential pairs
Z0= 90 ohm

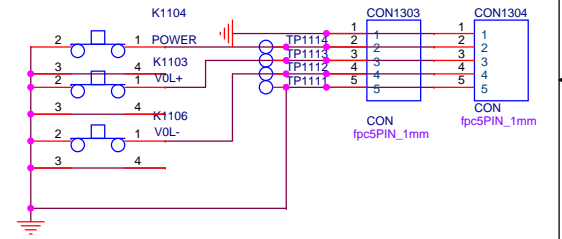
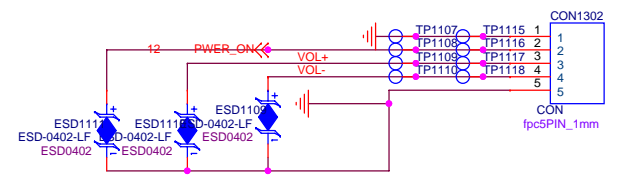
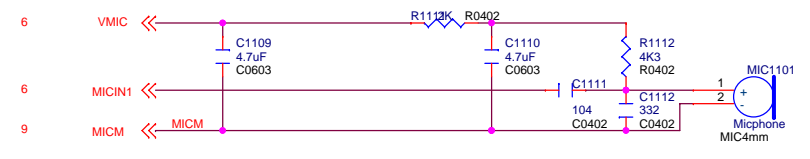


HP-KEY-MIC-IR-TVOUT

Head Phone

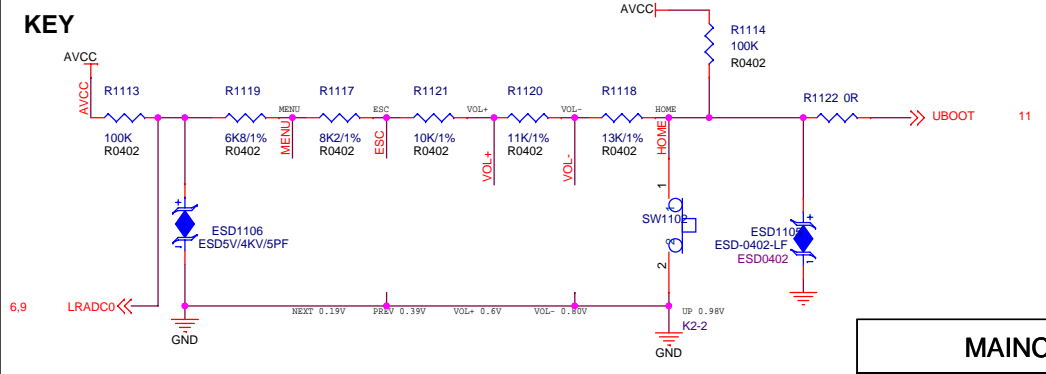


Microphone



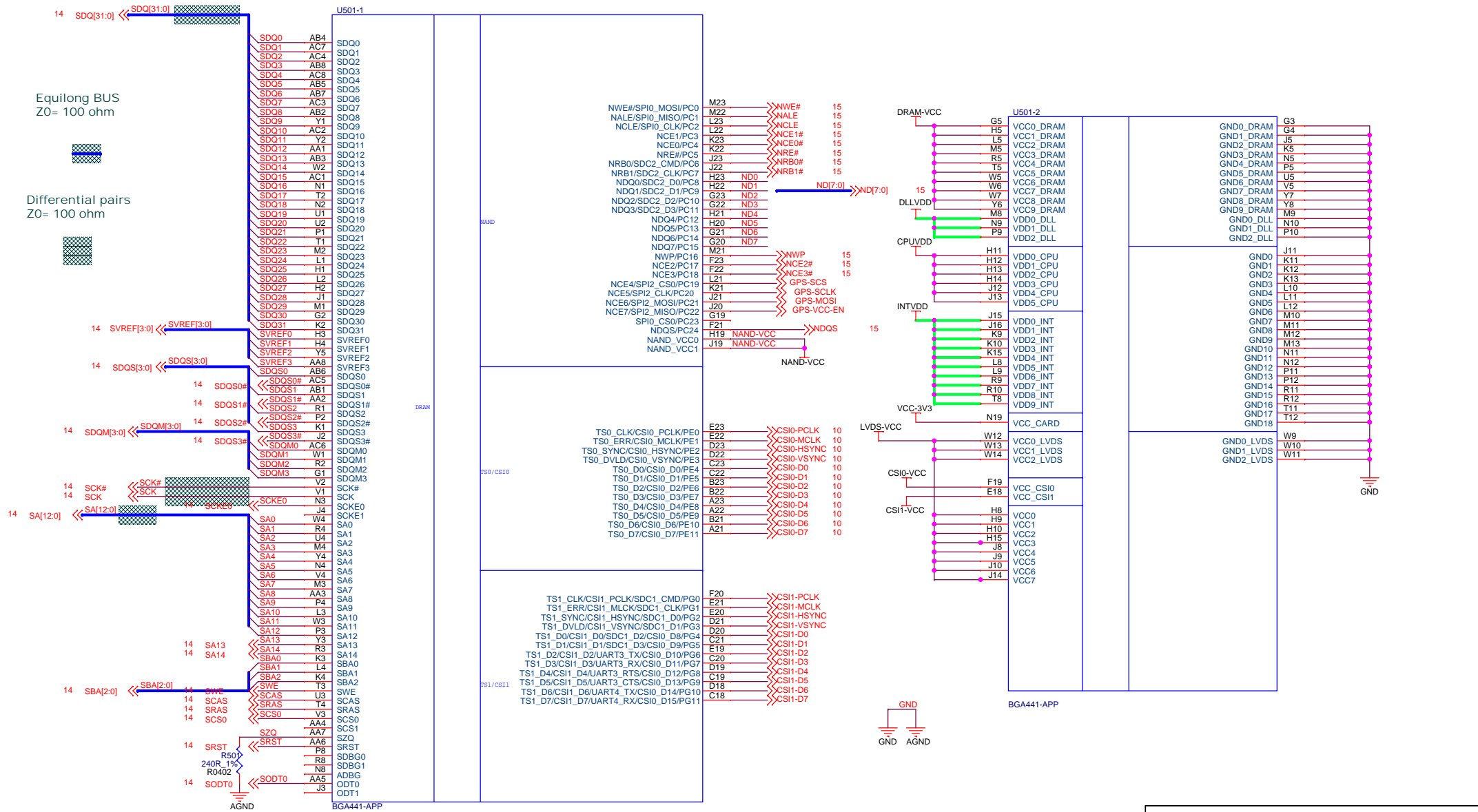
IR MODULE

KEY



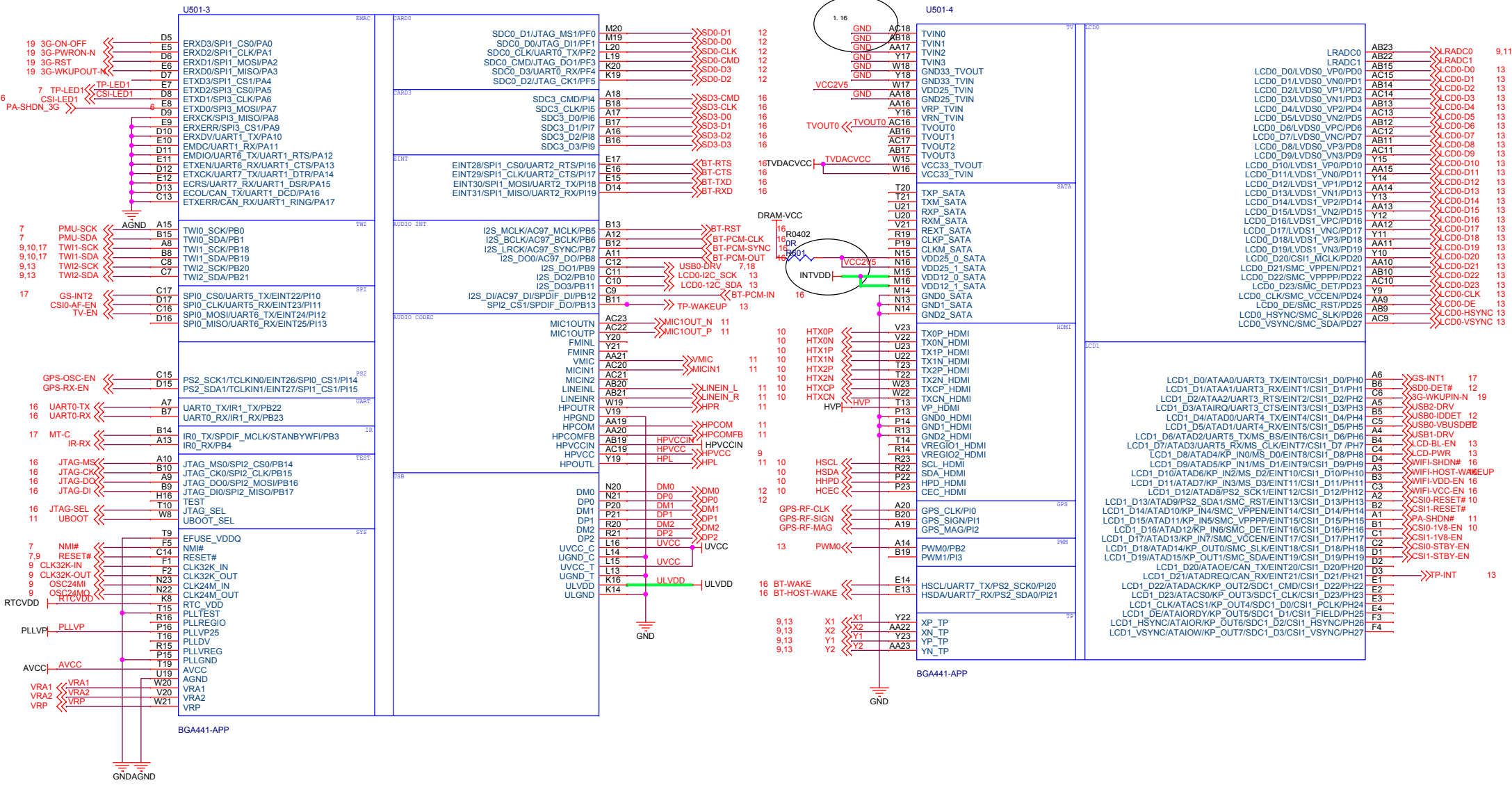
MAINCHIP_PAD_DDR3			
File	HP-KEY-MIC-IR-TVOUT		
Size	Document Number	<V1.0>	Rev
A3			
Date:	Saturday, May 26, 2012	Sheet	4 of 10

CPU1



MAINCHIP_PAD_DDR3		
File	CPU1	
Size	Document Number	Rev
A3	<V1.0>	
Date:	Saturday, May 26, 2012	Sheet 5 of 51

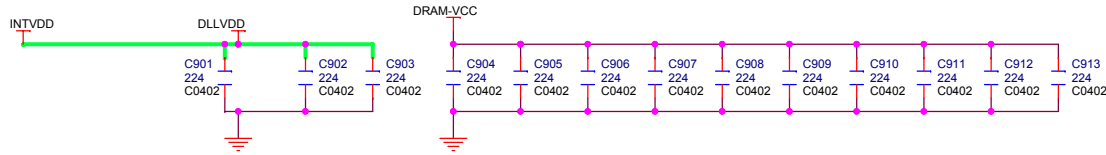
CPU2



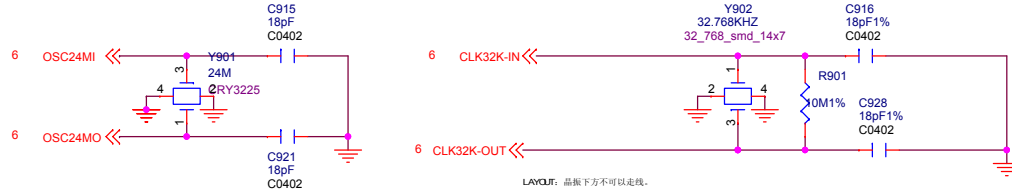
MAINCHIP_PAD_DDR3			
File	CPU2		
Size	Document Number	<V1.0>	Rev
A3			
Date:	Saturday, May 26, 2012	Sheet	6 of 51

BESIDE CPU

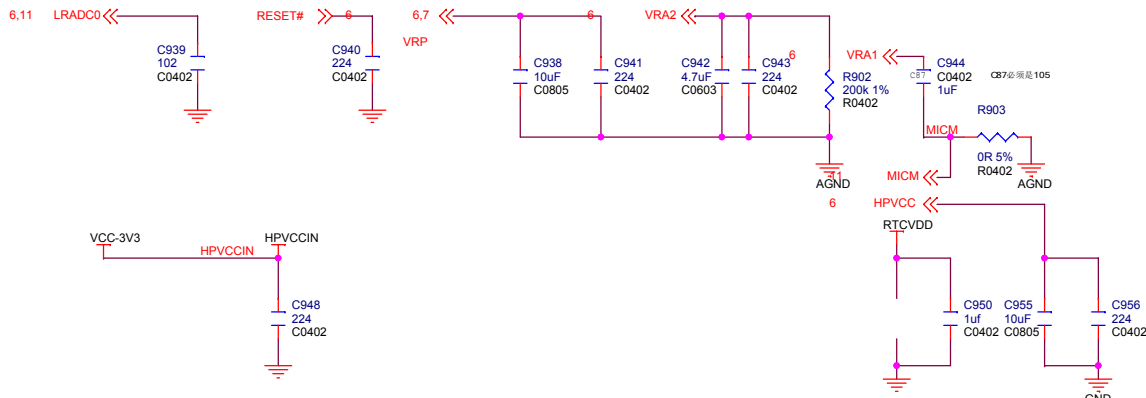
DRAM



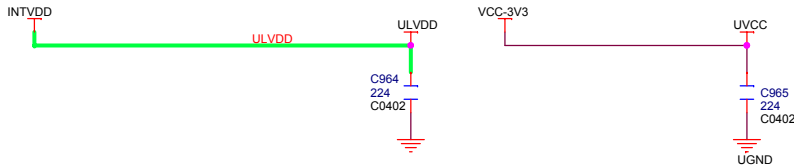
Crystal



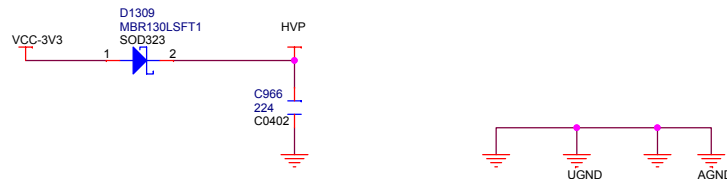
AUDIO&SYS&TP



USB



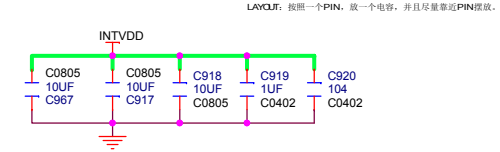
HDMI



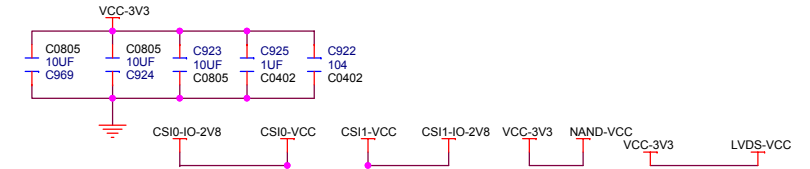
PLL



CORE



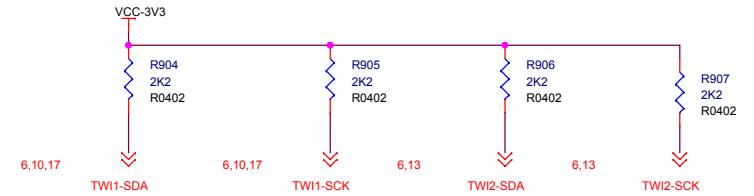
PIO-INTERFACE



CPU&TV



TWI-PULLUP



MAINCHIP_PAD_DDR3

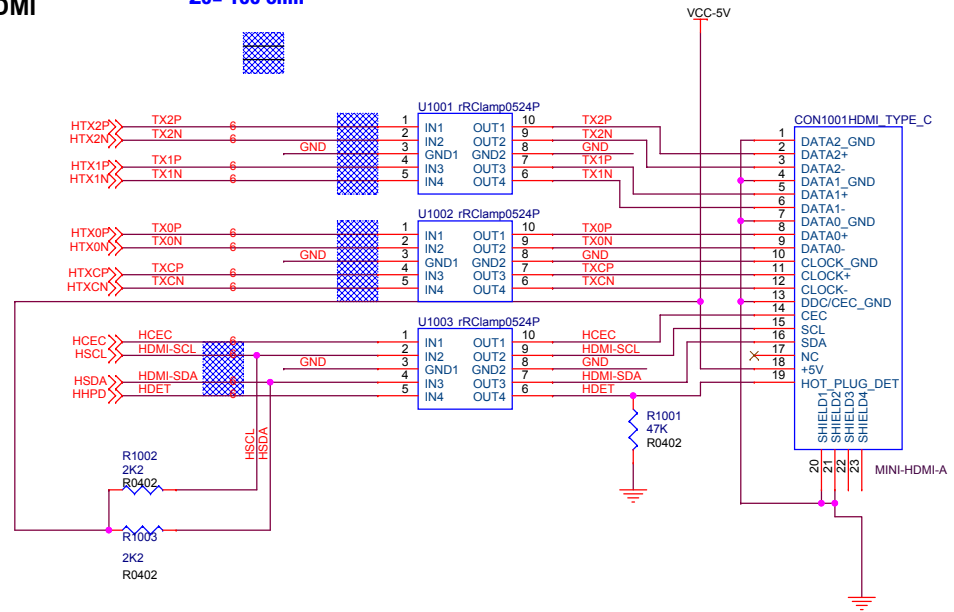
Title		
BESIDE CPU		
Size	Document Number	Rev
A3	<V1.0>	
Date:	Saturday, May 26, 2012	Sheet 9 of 51

HDMI-CSIO

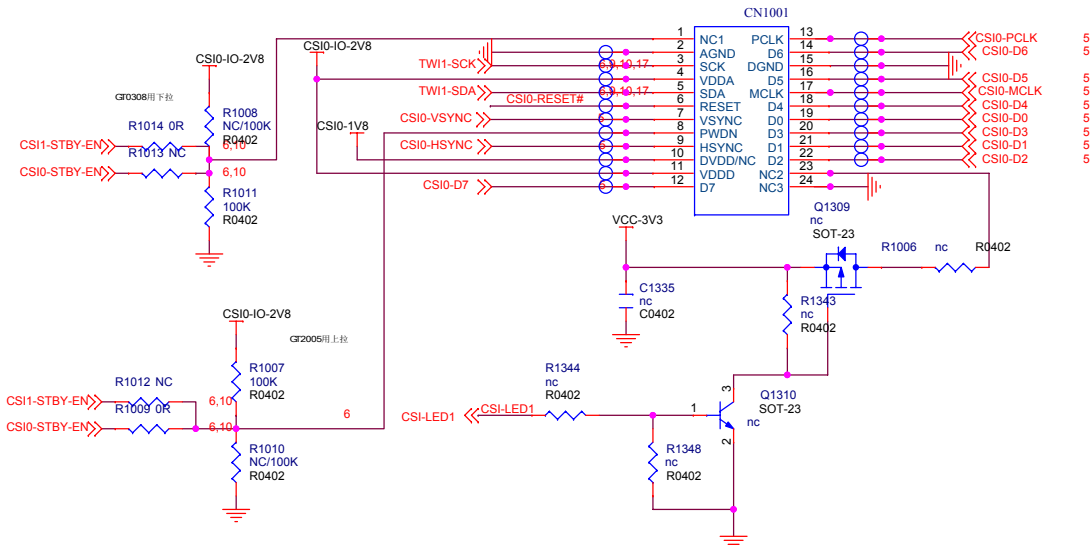
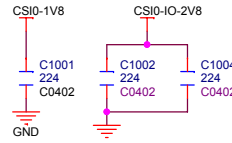
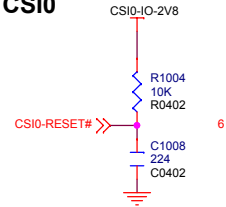
HDMI

HDMI

Differential pairs
Z0= 100 ohm



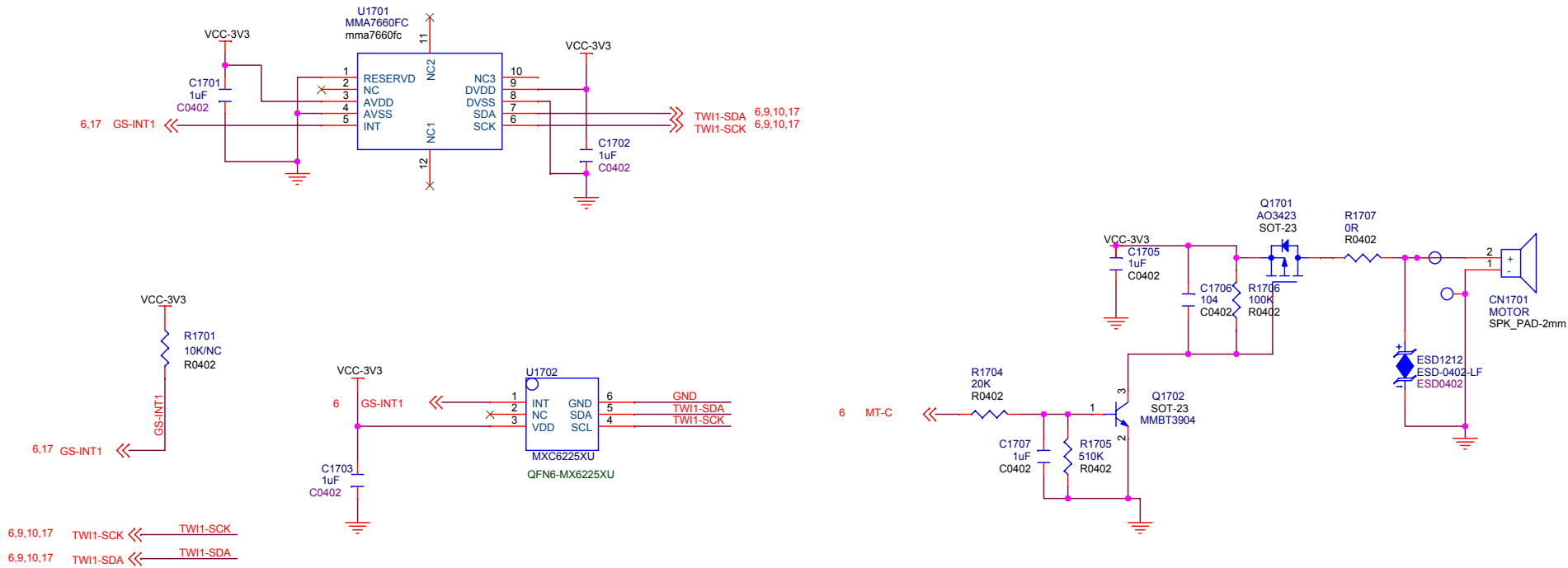
CSIO



MAINCHIP_PAD_DDR3

Size	Document Number	Rev
A3	<V1.0>	
Date:	Saturday, May 26, 2012	Sheet 10 of 16

G-SENSOR



Title		<Title>
Size	Document Number	Rev
B	<Doc>	<RevCode>
Date:	Saturday, May 26, 2012	Sheet 17 of 51

www.s-manuals.com