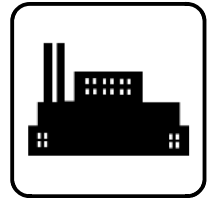


Service Parts

Industrial Generator Sets



Models:

25-150REZG

40-125ERES

See Group 701: Literature, inside this manual for
part numbers of engine parts catalogs

KOHLER[®]
POWER SYSTEMS

9001
KOHLER
POWER SYSTEMS
NATIONALLY REGISTERED

TP-6667 2/10c

Common Replacement Parts

Figure 1 identifies common replacement parts for your generator set. Refer to the groups on the following pages and the engine parts manual listed in Group 701: Literature for a complete list of maintenance and service parts.

Description	Part Number/Quantity On Model						
	25/30 kW	40-45 kW	50 kW	60 kW	80/100 kW	125 kW	150 kW
	3.0L	4.3L	5.0L	5.7L	8.1L	8.1L	8.1L
Belt, alternator	GM39428 (1)	GM16132 (1)	GM16132 (1)	GM16132 (1)	GM65427 (1)	GM16132 (1)	GM66205 (1)
Element, air cleaner	253107 (1)	253107 (1)	253107 (1)	253107 (1)	GM62309 (1)	GM62309 (1)	GM62309 (1)
Oil filter	GM16703 (1)	GM28351 (1)	GM16703 (1)	GM16703 (1)	GM16703 (1)	GM16703 (1)	GM16703 (1)
Spark plug	GM38998 (4)	GM16531 (6)	GM16531 (8)	GM16531 (8)	GM22171 (8)	GM22171 (8)	GM22171 (8)
Thermostat	GM16537 (1)	GM16537 (1)	GM16537 (1)	GM16537 (1)	GM19726 (1)	GM19726 (1)	GM19726 (1)

Figure 1 Common Replacement Parts

Table of Contents

Introduction	4
Numbering System Significance	4
Illustrations	4
How to Find Part Numbers	4
Hardware References	4
Specification Number Index	5
Group 101: Air Intake	7
25/30 kW	7
40-60 kW	8
80/100 kW	9
125/150 kW	10
Group 104: Cooling System	12
25/30 kW	12
40-60 kW	14
80-100 kW	16
125 kW	18
150 kW	20
Group 105: Engine	22
25/30 kW, Natural Gas/LPG Vapor	22
25/30 kW, Dual Fuel Natural Gas/LPG Vapor	24
25/30 kW, LP Liquid Withdrawal	26
40-60 kW, Natural Gas/LPG Vapor/LP Liquid Withdrawal	28
40-45 kW, Dual Fuel Natural Gas/LPG Vapor	30
50/60 kW, Dual Fuel Natural Gas/LPG Vapor	32
80-100 kW, Natural Gas/LPG Vapor	34
80-100 kW, Dual Fuel	36
80-100 kW, LP Liquid Withdrawal	38
125 kW, Natural Gas/LPG Vapor	40
125 kW, Dual Fuel Natural Gas/LPG Vapor	42
125 kW, Liquid Withdrawal	44
150 kW	46
Group 107: Nameplate and Decals	48
Group 109: Skid and Plant Mounting	49
25/30 kW	49
40-60 kW	50
80-150 kW	52
Group 201: Generator and Mounting	54
Control and Harness	60
25/30 kW, Non-DEC 3000	60
25/30 kW, DEC 3000	62
40-60 kW, Non-DEC 3000	64
40-60 kW, DEC 3000	66
80-150 kW, Non-DEC 3000	68
80-150 kW, DEC 3000	70
Group 701: Literature	72
Kit List	73
Cooling System Kits	74
Fuel System Kits	75
Appendix A Abbreviations	77
Appendix B Common Hardware Application Guidelines	79
Appendix C General Torque Specifications	80
Appendix D Common Hardware Identification	81
Appendix E Common Hardware List	82
Index	85

Introduction

This manual lists service replacement parts for 25-150REZG and 40-125ERES generator sets.

Information in this publication represents data available at the time of print. Kohler Co. reserves the right to change this publication and the products represented without notice and without any obligation or liability whatsoever.

This manual includes the following main sections:

Table of Contents. Lists the sections of the manual.

Introduction (and other information sections). Contains introductory material about part numbers, illustrations, and hardware.

Specification Number Index. Lists the generator set specs and groups.

Group Parts Lists. List the part numbers of parts in the groups.

Kit Sections. List modules and accessories and their parts.

Appendices. Include Abbreviations, Common Hardware Application Guidelines, General Torque Specifications, Common Hardware Identification, and Common Hardware List.

Numbering System Significance

This manual uses the following numbering systems:

Specification Number. The product identification number located on the generator set nameplate. Specification numbers break down into groups.

Group Number. A unique number representing a parts group needed to assemble a generator set function. For example, Group 101 is the Air Intake group.

Variation or Module Number. A group might have several variations. Each variation performs the same function with different parts lists. For example, a 50 Hz generator alternator and a 60 Hz generator alternator both perform the same function; however, with different parts. Each difference requires a group variation or module number.

Part Number. The part number identifies an individual assembly, subassembly, component, or accessory kit.

Illustrations

Illustrations (or exploded-view drawings) best representing the widest range of variations accompany most groups in this manual. Illustrations do not depict all details and may not show all parts. Do not use illustrations for assembly or disassembly.

How to Find Part Numbers

Use the following steps to locate a service replacement part.

1. Locate the generator set nameplate to **identify the generator set spec number**.
2. Locate a second generator set nameplate listing accessories to **identify installed modules**. On some models the accessory nameplate is mounted inside the generator junction box.
3. **Turn to the Specification Number Index**. The first column lists the generator set spec numbers. The headings identify the groups of parts that make up the generator set.
4. **Identify the group** most likely to include the service part number.
5. **Find the group variation number** at the intersection of the spec number row and the group column. Note the variation number.
6. **Page forward to locate the group** identified in step 4 or find the appropriate page in the Table of Contents.
7. **Find the part on the illustration** and note the item number of the part or **find the part description in the parts list**.
8. Select **the part number that corresponds to your group variation**. The first column lists the illustration item number. Find the variation identified in the Specification Number Index or the module number found on the generator set nameplate in the appropriate column on the right side of the parts list table. Find the quantity used at the intersection of the item number row and the variation column. A blank space at the intersection means the variation/module does not use that part number.

Hardware References

Many common hardware items do not appear in parts manuals or will appear as common hardware entries. A common hardware entry lists the size of the hardware. For example, an item that appears as "Hardware, 3/8-16" in the text means that the piece is 3/8-16 size. Obtain common hardware locally or, if contacting the factory, use the Common Hardware List in the appendix to identify the common hardware part number and specifications. See Common Hardware Application Guidelines in the appendix for mating hardware instructions.

Some hardware items require a specific size or some other characteristic. In that case, use the part number listed in the text.

When replacing hardware, do not substitute inferior grade hardware. Replacement hardware grade should be equal to or better than the grade of the manufacturer's original hardware. Use the Common Hardware List in the appendix to identify the common hardware hardness.

Specification Number Index, 40-150REZG

Group Title								
	<i>Air Intake</i>	<i>Cooling System</i>	<i>Engine</i>	<i>Nameplates and Decals</i>	<i>Skid and Plant Mounting</i>	<i>Generator and Mounting</i>	<i>Controller and Mounting</i>	<i>Literature</i>
Group No.	101	104	105	107	109	201	301	701
Spec No.	Variation Number							
25REZG								
GM69415-GA1	*	*	17	1	*	*	†	431
GM69415-GA3	*	*	18	1	*	*	†	431
GM69415-GA5	*	*	19	1	*	*	†	431
30REZG								
GM69415-GA2	*	*	17	1	*	*	†	432
GM69415-GA4	*	*	18	1	*	*	†	432
GM69415-GA6	*	*	19	1	*	*	†	432
40REZG								
GM66092-GA1	*	*	1	1	*	*	†	370
GM66092-GA3	*	*	2	1	*	*	†	370
GM66092-GA5	*	*	3	1	*	*	†	370
45REZG								
GM66092-GA2	*	*	1	1	*	*	†	373
GM66092-GA4	*	*	2	1	*	*	†	373
GM66092-GA6	*	*	3	1	*	*	†	373
50REZG								
GM66910-GA1	*	*	4	1	*	*	†	371
GM66910-GA2	*	*	5	1	*	*	†	371
GM66910-GA3	*	*	6	1	*	*	†	371
60REZG								
GM66911-GA1	*	*	7	1	*	*	†	372
GM66911-GA2	*	*	8	1	*	*	†	372
GM66911-GA3	*	*	9	1	*	*	†	372
80REZG								
GM66590-GA1	*	*	11	2	*	*	†	389
GM66590-GA3	*	*	13	2	*	*	†	389
GM66590-GA9	*	*	14	2	*	*	†	389
100REZG								
GM66590-GA2	*	*	11	2	*	*	†	388
GM66590-GA4	*	*	13	2	*	*	†	388
GM66590-GA10	*	*	14	2	*	*	†	388
125REZG								
GM65362-GA1	*	*	12	2	*	*	†	365
GM65362-GA2	*	*	15	2	*	*	†	365
GM65362-GA5	*	*	16	2	*	*	†	365
150REZG								
GM64060-GA1	*	*	10	2	*	*	†	364

- * Configured group. Refer to the generator set nameplate for the module number. Turn to the respective group on the following pages for parts breakdowns.
- † Configured group. Refer to the generator set nameplate for the module number. See controller parts catalog TP-6009 P/C Controllers, Industrial for controller parts lists.

Specification Number Index, 40-125ERES

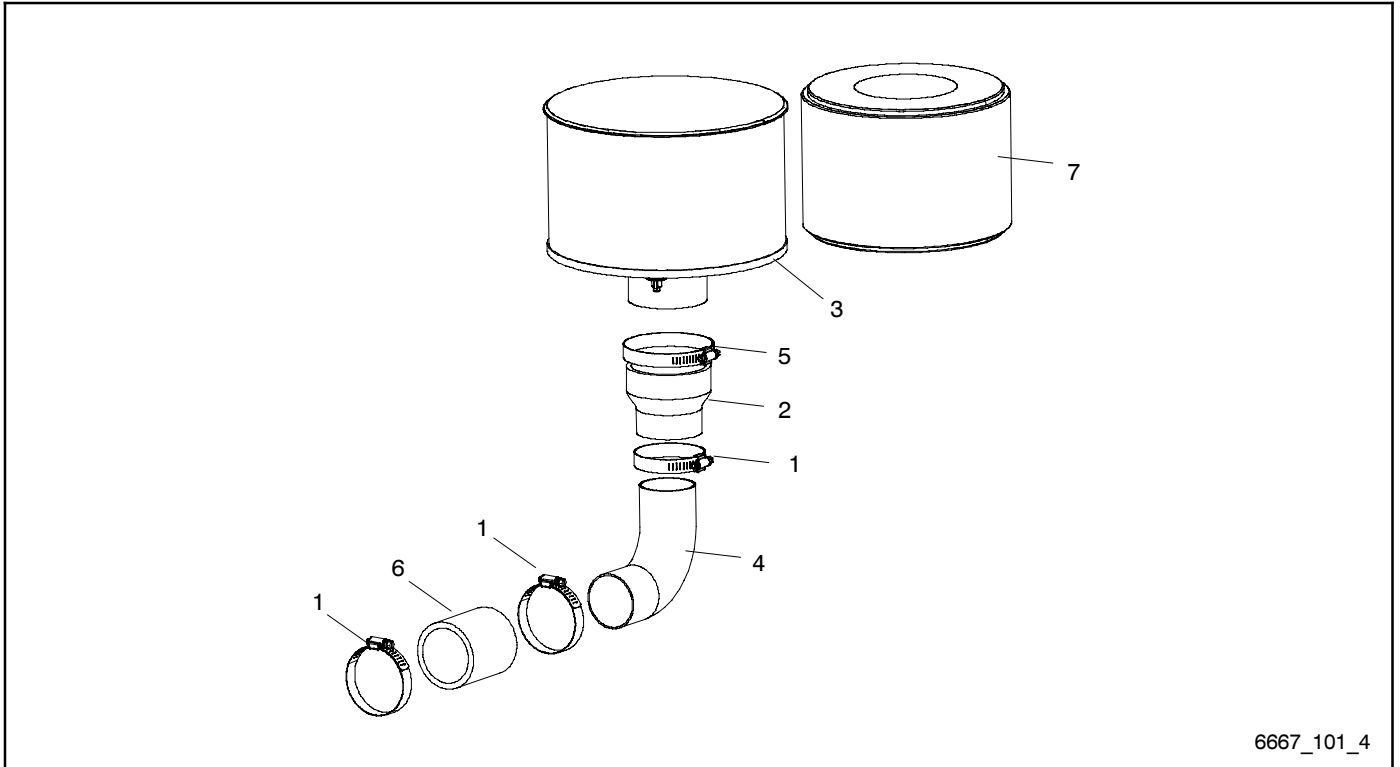
Group Title	<i>Air Intake</i>	<i>Cooling System</i>	<i>Engine</i>	<i>Nameplates and Decals</i>	<i>Skid and Plant Mounting</i>	<i>Generator and Mounting</i>	<i>Controller and Mounting</i>	<i>Literature</i>
Group No.	101	104	105	107	109	201	301	701
Spec No.	Variation Number							

40ERES								
GM66092-GA7	*	*	1	1	*	*	†	399
GM66092-GA9	*	*	2	1	*	*	†	399
GM66092-GA11	*	*	3	1	*	*	†	399
45ERES								
GM66092-GA8	*	*	1	1	*	*	†	400
GM66092-GA10	*	*	2	1	*	*	†	400
GM66092-GA12	*	*	3	1	*	*	†	400
50ERES								
GM66910-GA4	*	*	4	1	*	*	†	401
GM66910-GA5	*	*	5	1	*	*	†	401
GM66910-GA6	*	*	6	1	*	*	†	401
60ERES								
GM66911-GA6	*	*	7	1	*	*	†	402
GM66911-GA7	*	*	8	1	*	*	†	402
GM66911-GA8	*	*	9	1	*	*	†	402
80ERES								
GM66590-GA5	*	*	11	2	*	*	†	403
GM66590-GA7	*	*	13	2	*	*	†	403
GM66590-GA11	*	*	14	2	*	*	†	403
100ERES								
GM66590-GA6	*	*	11	2	*	*	†	404
GM66590-GA8	*	*	13	2	*	*	†	404
GM66590-GA12	*	*	14	2	*	*	†	404
125ERES								
GM65362-GA3	*	*	12	2	*	*	†	405
GM65362-GA4	*	*	15	2	*	*	†	405
GM65362-GA6	*	*	16	2	*	*	†	405

- * Configured group. Refer to the generator set nameplate for the module number.
Turn to the respective group on the following pages for parts breakdowns.
- † Configured group. Refer to the generator set nameplate for the module number.
See controller parts catalog TP-6009 P/C Controllers, Industrial for controller parts lists.

Group 101: Air Intake

25/30 kW

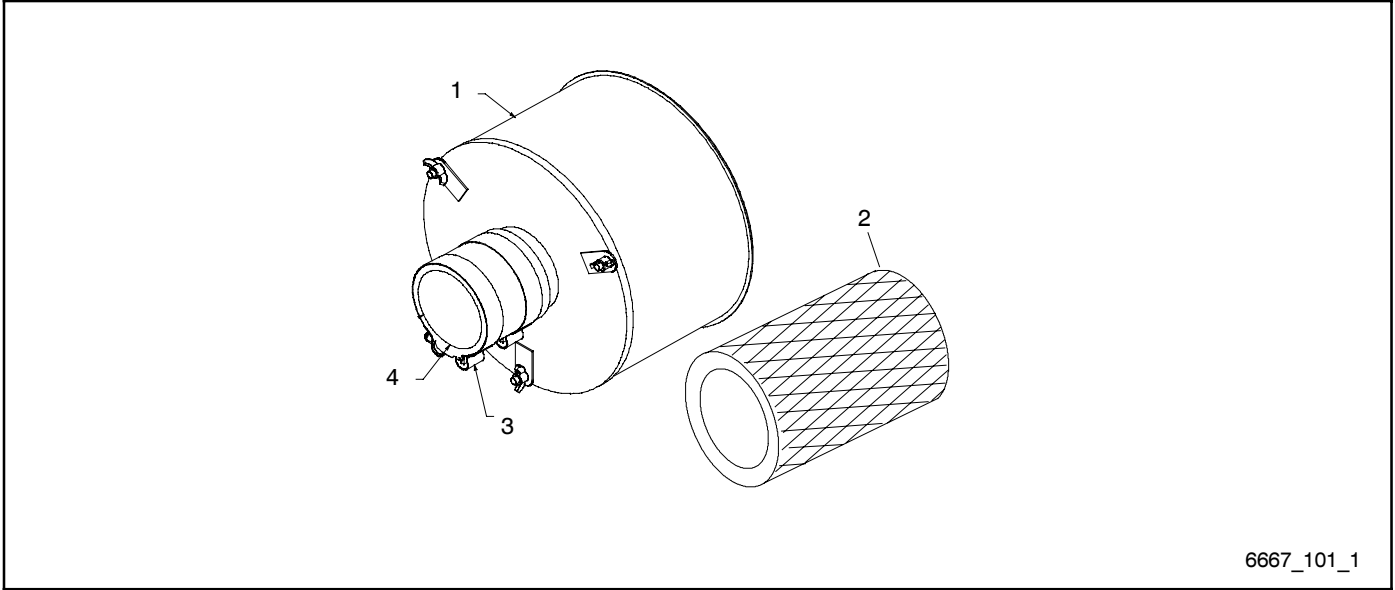


6667_101_4

Item	Part Number	Description	Quantity
			ModuleNumber GM69427-MA1
1	250081	Clamp, hose, 2.06/3 in.	3
2	328006	Hose, reducer (3.00 in. to 2.50 in. ID)	1
3	A-253104	Air cleaner assembly	1
4	GM67400	Tube, elbow	1
5	X-426-1	Clamp, hose, 2.81/3.75 in.	1
6	X-6014-139	Hose, radiator wire insert 3.0 (.25)	1
7	253107	Element, air cleaner	1

Group 101: Air Intake, continued

40-60 kW

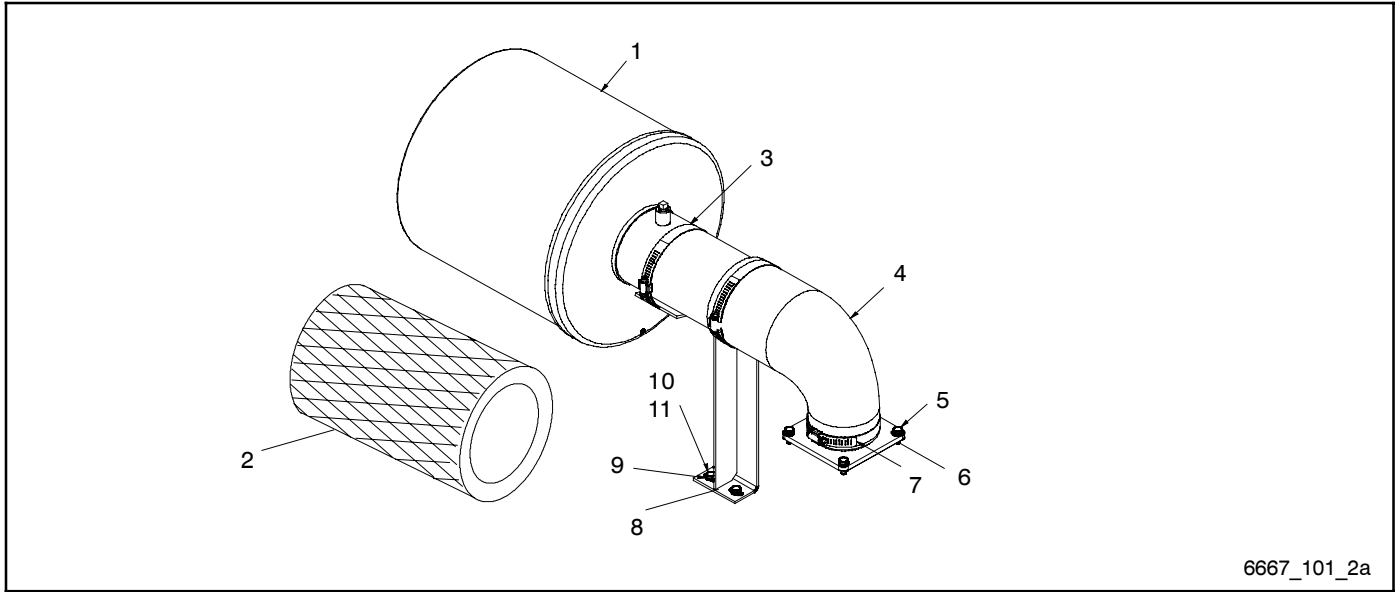


6667_101_1

Item	Part Number	Description	Quantity
			ModuleNumber GM66788-MA1
1	A-253104	Air cleaner assembly	1
2	253107	Element, Air Cleaner	1
3	291542	Clamp, Hose, 3.25/3.56 in.	2
4	X-6014-137	Hose, Wire Insert 3 in. ID	1

Group 101: Air Intake, continued

80/100 kW

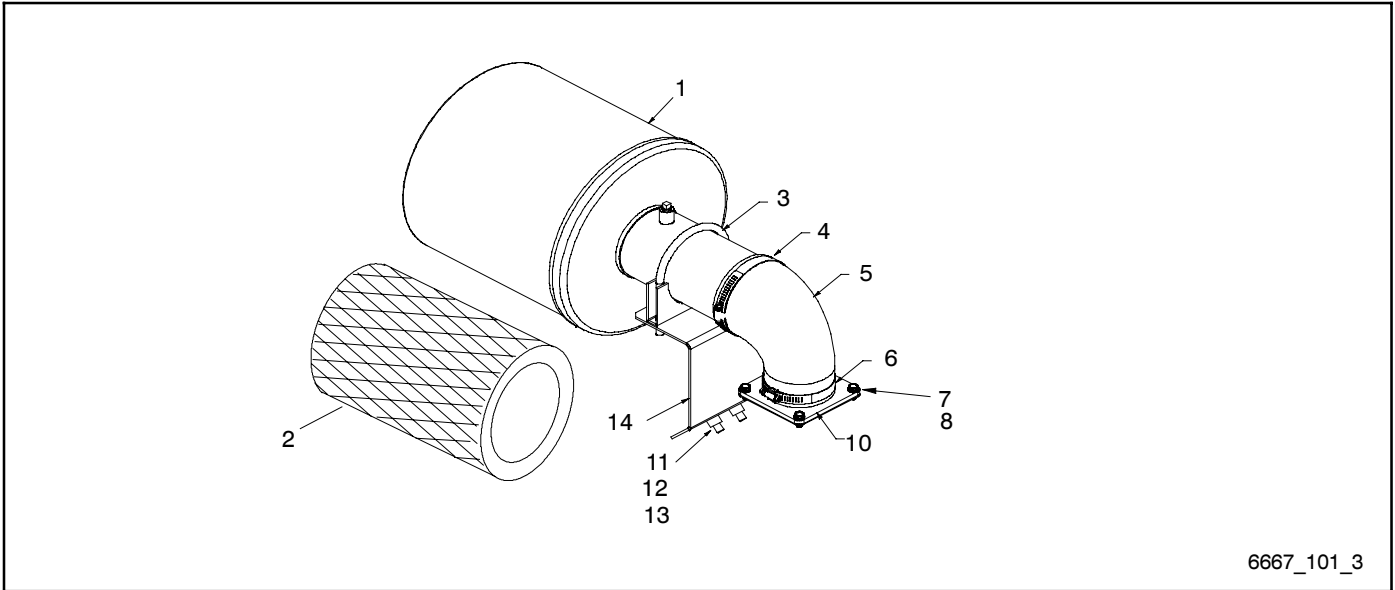


6667_101_2a

Item	Part Number	Description	Quantity	
			Module Number	GM66594-MA1
1	GM62308	Air cleaner assy.	1	
2	GM62309	Element, air cleaner	1	
3	X-426-5	Clamp, hose, 3.56/4.5 in.	2	
4	GM69285	Hose, air intake	1	
5	M933-06016-60	Screw, hex cap, M6x16mm, js500 full thrd	4	
6	GM64041	Flange, air cleaner	1	
7	X-426-1	Clamp, hose, 2.81/3.75 in.	1	
8	GM66578	Bracket, Air Cleaner Support	1	
9	M125A-06-80	Washer, plain	6	
10	M933-06020-60	Screw, hex cap	2	
11	M6923-06-80	Nut, hex	2	

Group 101: Air Intake, continued

125/150 kW

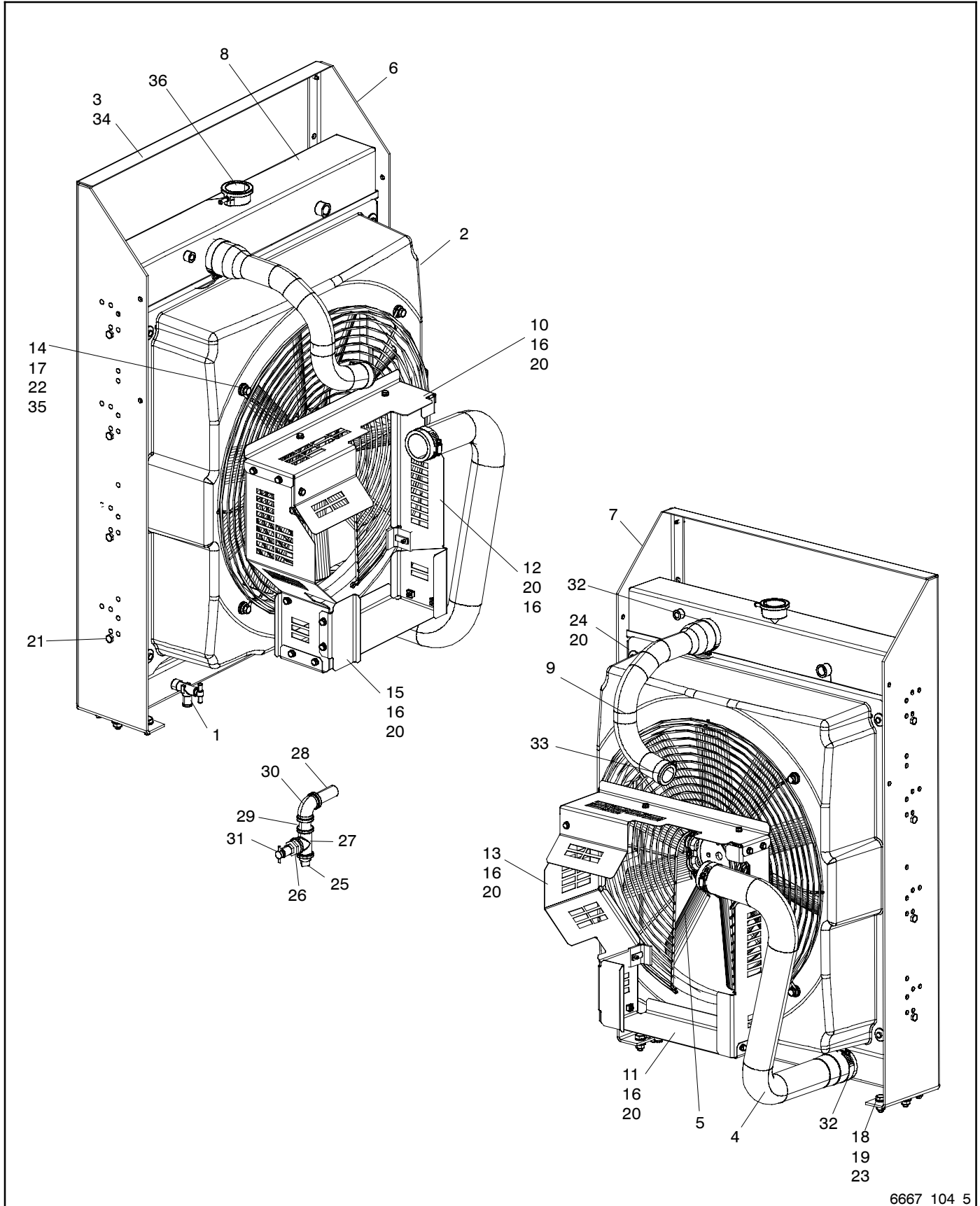


6667_101_3

Item	Part Number	Description	Quantity	
			Module Number	GM64064-MA1
1	GM62308	Air Cleaner Assy.		1
2	GM62309	Element, Air Cleaner		1
3	289372	Clamp, muffler, 4.12 in.		1
4	X-426-7	Clamp, hose, 4.06/5 in.		1
5	GM49984	Hose 90 deg. Elbow		1
6	X-426-5	Clamp, hose, 3.56/4.5 in.		1
7	M933-06016-60	Screw, hex cap, M6x16mm, js500 full thrd		4
8	M125A-06-80	Washer, Plain		4
10	GM64041	Flange, Air Cleaner		1
11	X-400-89	Spacer, .406 ID x .625 OD x .375 in.		2
12	X-6238-11	Bolt, Hex Cap (3/8-16 x 1 in.) gr. 5		2
13	X-25-28	Washer, plain, .406 ID x .656 OD		2
14	GM64052	Support, Air Cleaner		1

Group 104: Cooling System

25/30 kW



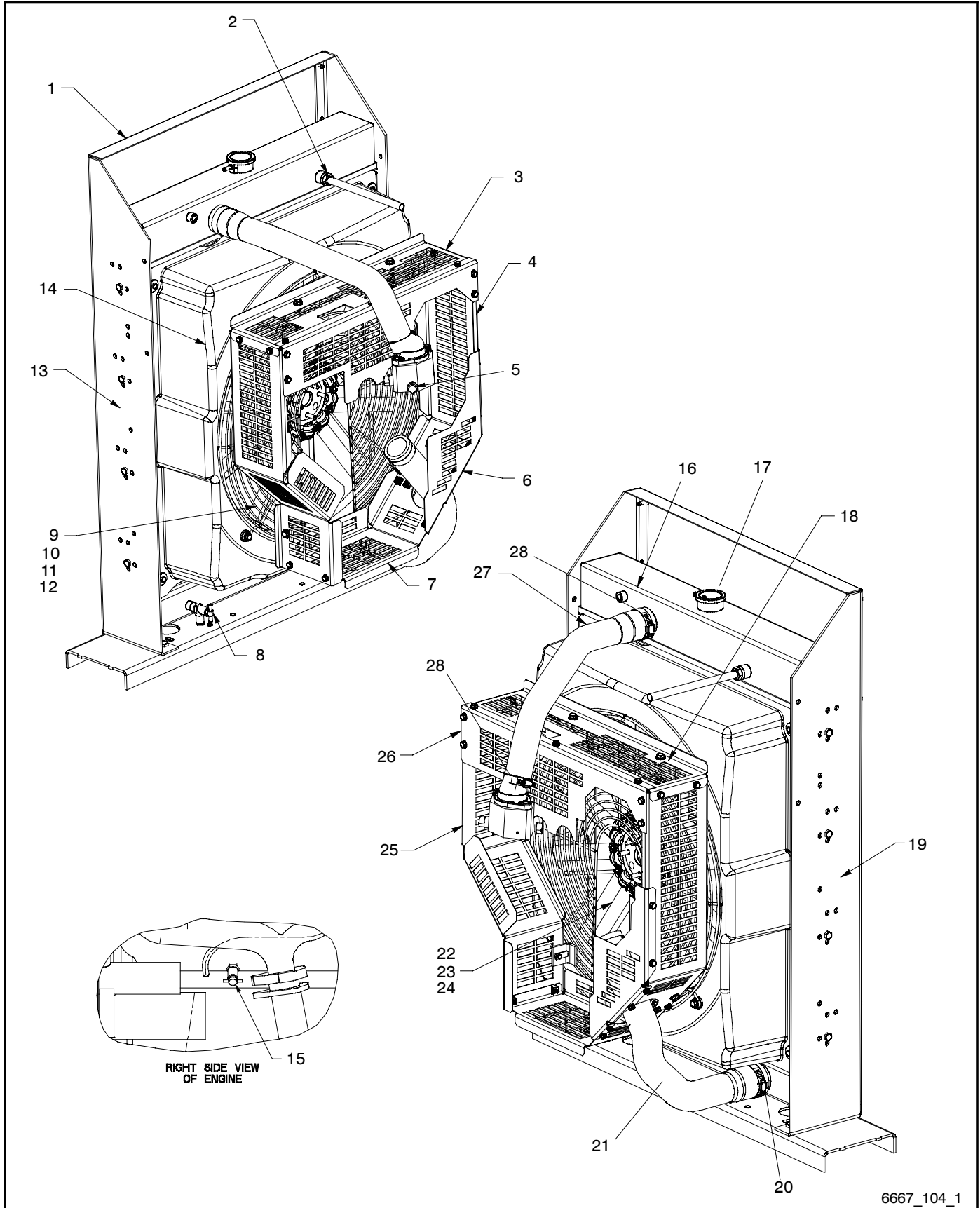
6667_104_5

Group 104: Cooling System

Item	Part Number	Description	Quantity
			Module Number GM69419-MA1
1	278788	Valve, drain (3/8 in. nptf)	1
2	324076	Shroud, fan	1
3	GM14100	Guard, radiator	1
4	GM21048	Hose, lower radiator	1
5	GM22215	Fan, pusher	1
6	GM29987	Support, radiator	1
7	GM29988	Support, radiator	1
8	GM52729	Radiator assembly	1
9	GM69432	Hose, upper radiator	1
10	GM69483	Guard, belt top	1
11	GM69484	Guard, belt bottom	1
12	GM69485	Guard, belt rh	1
13	GM69486	Guard, belt lh	1
14	GM69584	Guard, wire fan	1
15	GM69790	Guard, belt bottom rear	1
16	M125A-06-80	Washer, plain	15
17	M125A-08-80	Washer, plain 8.4 ID x 16.0 OD	4
18	M125A-10-80	Washer, Plain 10.5 ID x 20.0 OD	6
19	M6923-10-80	Nut, Hex 10mm	6
20	M933-06016-60	Screw, hex cap, M6 x 16mm, js500 full thrd	19
21	M933-08016-60	Screw, hex cap	8
22	M933-08025-60	Screw, hex cap	4
23	M933-10025-60	Screw, hex cap, fully thrd M10 x 25mm	6
24	X-25-73	Wshr, pl .266 ID x 1 in. OD	4
25	X-75-28	Plug, pipe (1/2 in. nptf)	1
26	X-202-12	Bushing, reducing (1/4 x 1/2 in. npt)	1
27	X-203-13	Tee, pipe (1/2 x 1/2 x 1/2 npt)	1
28	X-209-3	Pipe, Nipple (1/2 in. NPT x 2.50 in.)	1
29	X-209-5	Pipe (1/2 in. npt x 1.50 in.)	1
30	X-215-1	Elbow, pipe (90 deg x 1/2 in. npt)	1
31	X-256-3	Valve, drain (1/4 in. nptf)	1
32	X-426-16	Clamp, hose, 1.81/2.75 in.	3
33	X-426-4	Clamp, hose, 1.31/2.25 in.	1
34	X-794-1	Screw, hex wshr hd, drill 1/4-14 x 5/8	10
35	X-6365-2	Insert, threaded	4
36	352327	Cap, radiator	1

Group 104: Cooling System, continued

40-60 kW

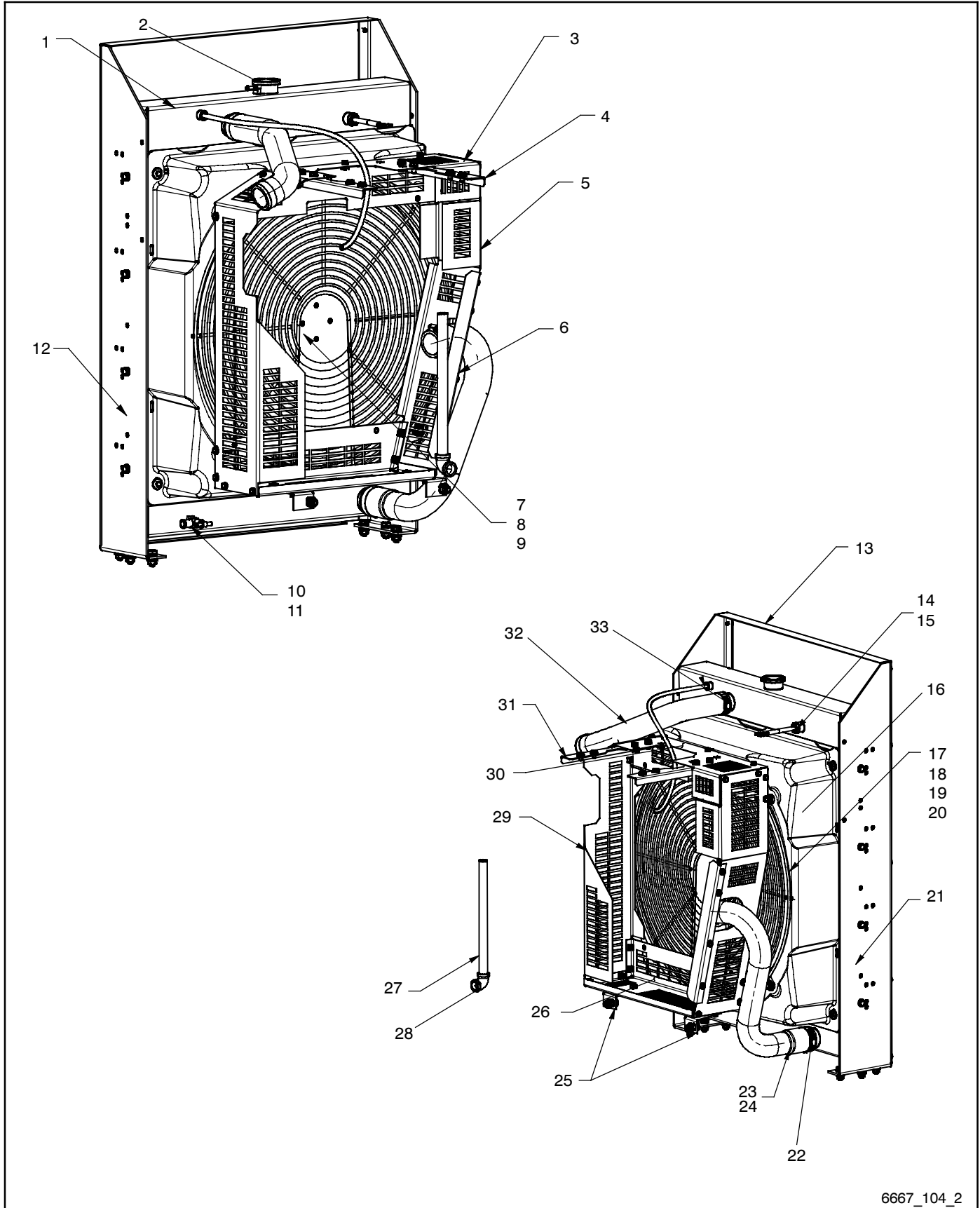


Group 104: Cooling System, continued

Item	Part Number	Description	Quantity			
			Module			
			GM66094-MA1	GM66094-MA2	GM73886-MA1	GM73886-MA2
1	GM14100	Guard, Radiator	1	1	1	1
2	365289	Sensor, Low Fluid Assembly	1	1		
2	-	See Control and Harness Group			1	1
2	X-6003-8	Conduit, convoluted	1	1		
3	GM15347	Guard, Belt Top	1	1	1	1
4	GM15345	Guard, Belt RH	1	1	1	1
5	X-75-28	Plug, pipe (1/2 in. nptf)	3		3	
6	GM15349	Guard, Belt Back	1	1	1	1
7	GM15348	Guard, Belt Bottom	1	1	1	1
8	278788	Valve, drain (3/8 in. nptf)	1	1	1	1
9	352378	Guard, Wire Fan	1	1	1	1
10	X-6365-2	Insert, threaded, 5/16-18 in.	4	4	4	4
11	M933-08025-60	Bolt, Hex Cap	4	4	4	4
12	M125A-08-80	Washer, plain	4	4	4	4
13	GM29988	Support, radiator	1	1	1	1
14	324076	Shroud, fan	1	1	1	1
15	X-256-3	Valve, drain (1/4 in. nptf)	1	1	1	1
16	GM52729	Radiator Assembly	1		1	
16	GM52730	Radiator Assembly		1		1
17	352327	Cap, radiator	1	1	1	1
18	352384	Bracket, belt guard	2	2	2	2
19	GM29987	Support, radiator	1	1	1	1
20	250081	Clamp, hose, 2.06/3 in.	2	2	2	2
21	GM14098	Hose, lower radiator (44mm ID)	1	1	1	1
22	GM16769	Fan, Pusher	1	1	1	1
23	M933-08030-82	Screw, Hex Cap	4	4	4	4
24	M125A-08-80	Washer, Plain 8.4 ID x 16.0 OD	4	4	4	4
25	GM15346	Guard, Belt LH	1	1	1	1
26	GM15350	Guard, Belt Upper Back	1	1	1	1
27	GM22939	Hose, upper radiator (1.5 in. ID)	1	1	1	1
28	X-426-6	Clamp, hose, 1.56/2.5 in.	2	2	2	2

Group 104: Cooling System, continued

80-100 kW



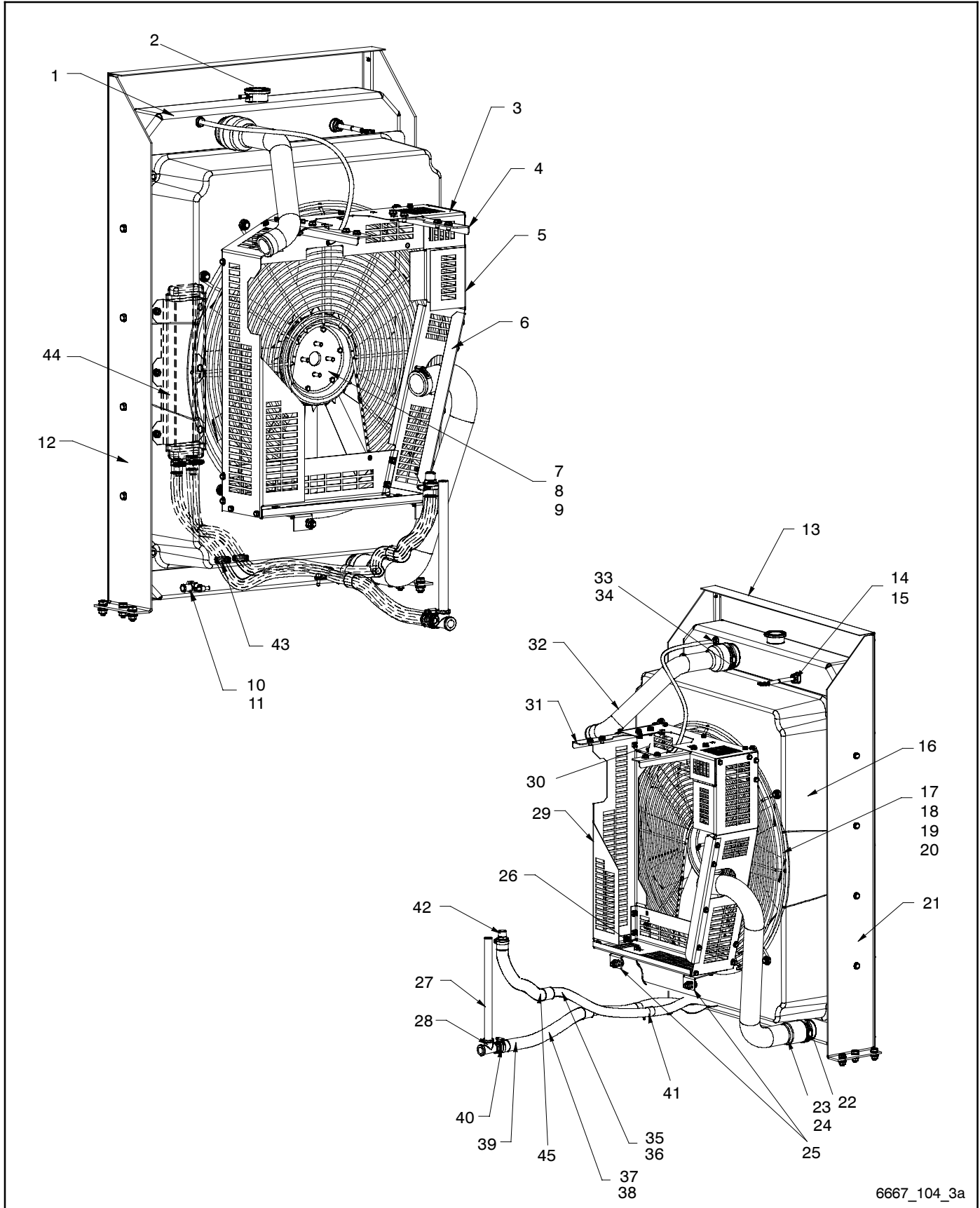
6667_104_2

Group 104: Cooling System, continued

Item	Part Number	Description	Quantity	
			Module Number	
			GM66592-MA1	GM66592-MA2
1	GM52730	Radiator assembly	1	1
2	352327	Cap, radiator	1	1
3	GM64617	Guard, belt top	1	1
4	GM64270	Bracket, belt guard	1	1
5	GM66599	Guard, belt rh	1	1
6	GM16080	Guard, belt back	1	1
7	GM16770	Fan, pusher	1	1
8	M933-08030-82	Screw, hex cap	4	4
9	M125A-08-80	Washer, plain 8.4 ID x 16.0 OD	4	4
10	X-202-47	Bushing, reducing (1/4 x 1/2 in. npt)	1	1
11	278788	Valve, drain	1	1
12	GM29988	Support, radiator	1	1
13	GM14100	Guard, radiator	1	1
14	365289	Sensor, low fluid assy	1	
14	-	See Control and Harness Group		1
15	X-6003-8	Conduit, convoluted	1	1
16	GM29772	Shroud, fan	1	1
17	GM16662	Guard, wire fan	1	1
18	X-125-31	Bolt, hex cap	4	4
19	X-25-85	Washer, plain, .344 ID x .687 in. OD	4	4
20	X-6365-1	Insert, threaded, 5/16-18 in.	4	4
21	GM29987	Support, radiator	1	1
22	250081	Clamp, hose	1	1
23	GM13884	Hose, lower radiator (45.4mm ID)	1	1
24	X-426-6	Clamp, hose, 1.56/2.5 in.	1	1
25	GM16078	Bracket, belt guard	2	2
26	GM66596	Guard, belt bottom	1	1
27	X-209-26	Pipe (1/2 in. npt x 12.00 in.)	1	1
28	X-215-1	Elbow, pipe (90 deg. x 1/2 in. npt)	1	1
29	GM16077	Guard, belt l.h.	1	1
30	GM66597	Guard, belt	1	1
31	GM64271	Bracket, belt guard	1	1
32	GM29884	Hose, upper radiator	1	1
33	X-426-6	Clamp, hose, 1.56/2.5 in.	2	2

Group 104: Cooling System, continued

125 kW



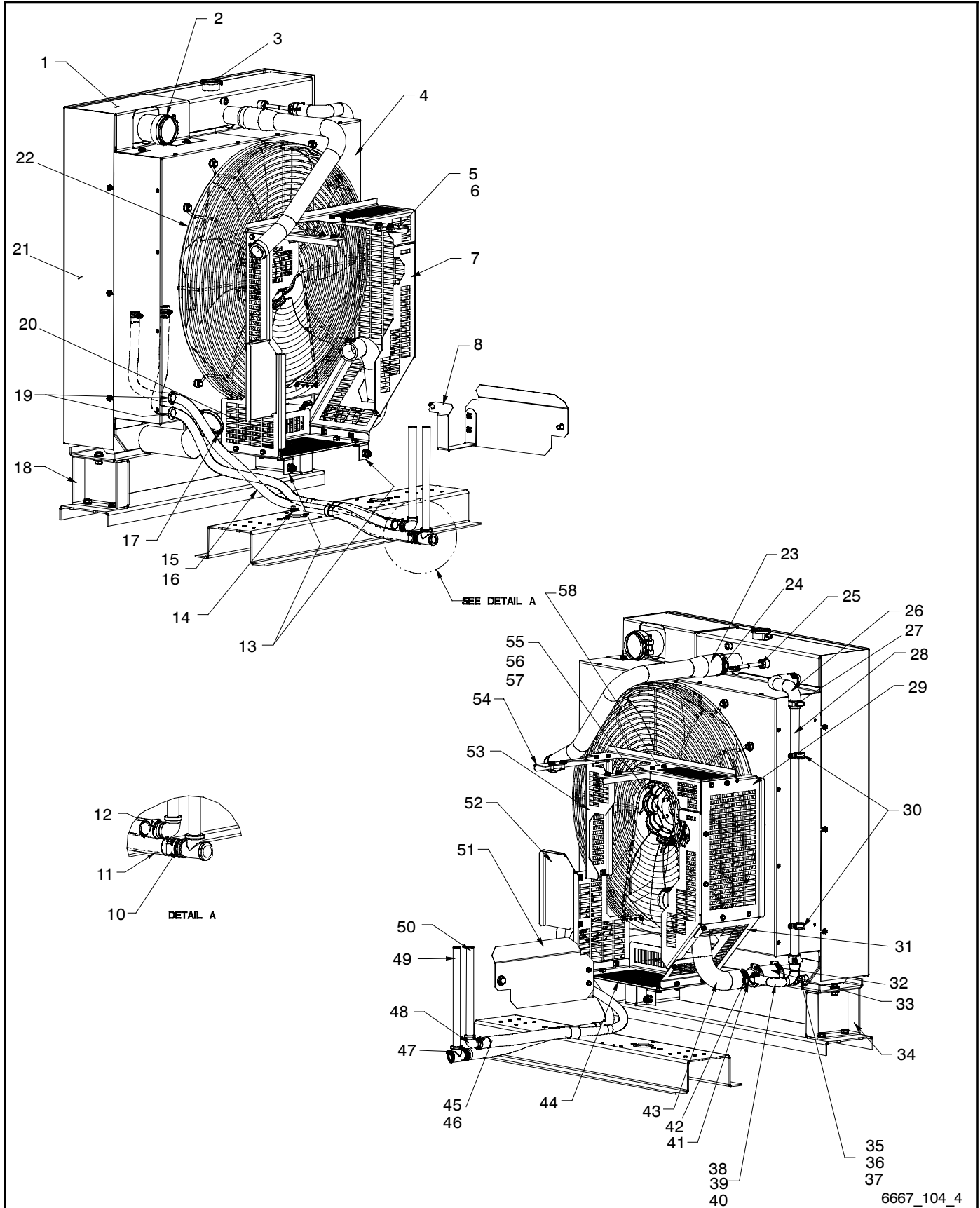
6667_104_3a

Group 104: Cooling System, continued

Item	Part Number	Description	Quantity	
			Module Number	
			GM65367-MA1	GM65367-MA2
1	GM52731	Radiator assembly	1	1
2	352327	Cap, radiator	1	1
3	GM64617	Guard, belt top	1	1
4	GM64270	Bracket, belt guard	1	1
5	GM66599	Guard, belt rh	1	1
6	GM16080	Guard, belt back	1	1
7	GM31940	Fan, pusher	1	1
8	M933-08030-82	Screw, hex cap	4	4
9	M125A-08-80	Washer, plain 8.4ID x 16.0 OD	4	4
10	X-202-47	Bushing, reducing (1/4 x 1/2 in. npt)	1	1
11	278788	Valve, drain	1	1
12	GM32286	Support, radiator (lh)	1	1
13	GM31192	Guard, radiator	1	1
14	365289	Sensor, low fluid assy	1	
14	-	See Control and Harness Group		1
15	X-6003-8	Conduit, convoluted	1	1
16	GM29800	Shroud, fan	1	1
17	336888	Guard, wire fan	1	1
18	X-125-31	Bolt, hex cap	6	6
19	X-25-85	Washer, plain, .344 ID x .687 in. OD	6	6
20	X-6365-1	Insert, threaded, 5/16-18 in.	6	6
21	GM32285	Support, radiator (rh)	1	1
22	250081	Clamp, hose	1	1
23	GM31195	Hose, lower radiator	1	1
24	X-426-6	Clamp, hose, 1.56/2.5 in.	1	1
25	GM16078	Bracket, belt guard	2	2
26	GM66596	Guard, belt bottom	1	1
27	X-209-26	Pipe (1/2in. npt x 12.00 in.)	1	1
28	X-203-13	Tee, pipe (1/2 x 1/2 x 1/2 npt)	1	1
29	GM16077	Guard, belt l.h.	1	1
30	GM66597	Guard, belt	1	1
31	GM64271	Bracket, belt guard	1	1
32	GM31194	Hose, upper radiator	1	1
33	X-426-6	Clamp, hose, 1.56/2.5 in.	1	1
34	X-426-2	Clamp, hose, 2.31/3.25 in.	1	1
35	X-6242-13	Line, flex fuel	1	1
36	X-426-10	Clamp, hose, .5/1 in.	2	2
37	X-6242-19	Line, flex fuel	1	1
38	X-426-10	Clamp, hose, .5/1 in.	2	2
39	GM23718	Shield, heat (32mm id x 455mm length)	1	1
40	X-582-5	Connector, hose + vibra seal	1	1
41	X-672-13	Clamp, insulated, .88 in.	2	2
42	X-582-5	Connector, hose + vibra seal	1	1
43	243488	Grommet	2	2
44	GM30589	Cooler, engine oil	1	1
45	GM71831	Shield, heat	1	1

Group 104: Cooling System, continued

150 kW

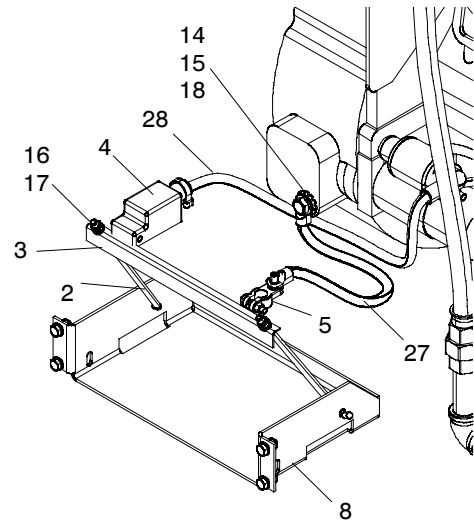


Group 104: Cooling System, continued

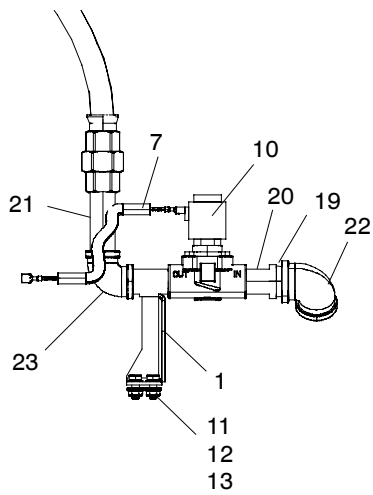
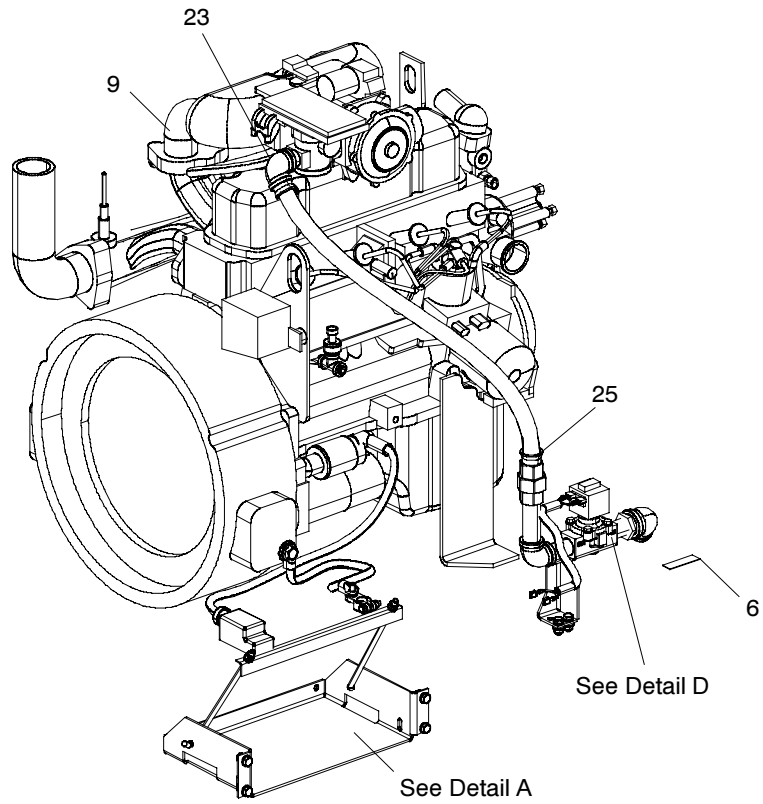
Item	Part Number	Description	Quantity	
			Module Number	
			GM64159-MA1	GM64159-MA2
1	GM55317	Guard, Charge Cooler	1	1
2	343175	Clamp, hose, 3.06/3.38 in.	1	1
3	GM64392	Cap, radiator	1	1
4	GM49660	Radiator Assembly	1	1
5	GM64270	Bracket, Belt Guard	1	1
6	X-400-148	Spacer, .531 ID x 1.000 OD x .179 in.	2	2
7	GM64263	Guard, Belt Rear	1	1
8	GM55480	Bracket, Heat Shield	1	1
10	X-582-5	Connector, hose + Vibra Seal	1	1
11	GM23718	Shield, heat (32mm id x 455mm length)	2	2
12	X-582-5	Connector, hose + Vibra Seal	1	1
13	GM64267	Bracket, Belt Guard	2	2
14	X-672-13	Clamp, insulated, .88 in.	2	2
15	X-6242-13	Line, Flex Fuel	1	1
16	X-426-10	Clamp, hose, .5/1 in.	2	2
17	343175	Clamp, hose, 3.06/3.38 in.	1	1
18	GM49983	Bracket, Radiator Mtg.	1	1
19	243488	Grommet, round	2	2
20	GM64264	Guard, Belt Lower Left	1	1
21	GM58171	Guard, Radiator	1	1
22	GM64239	Guard, Wire Fan	1	1
23	GM51912	Hose, Upper Radiator	1	1
24	X-426-6	Clamp, hose, 1.56/2.5 in.	2	2
25	365289	Sensor, Low Fluid Assembly	1	
25	-	See Control and Harness Group		1
26	GM51923	Hose, Radiator Bypass	1	1
27	X-426-15	Clamp, hose, .75/1.5 in.	2	2
28	GM52263	Tube, Radiator Bypass	1	1
29	GM64268	Guard, Belt Upper Right	1	1
30	X-672-30	Clamp, insulated, 1.06 in.	2	2
31	GM64261	Guard, Belt Right Lower	1	1
32	X-311-7	Hose, radiator, straight, 1.75 in. ID	1	1
33	X-426-6	Clamp, hose, 1.56/2.5 in.	2	2
34	GM49983	Bracket, Radiator Mtg.	1	1
35	278788	Valve, drain (3/8 in. nptf)	1	1
36	X-250-2	Coupling, reducer (3/8 in. x 1/4 in. npt)	1	1
37	X-220-6	Pipe (1/4 in. npt x 1.50 in.)	1	1
38	GM51972	Hose, Lower Radiator Bypass	1	1
39	X-426-15	Clamp, hose, .75/1.5 in.	1	1
40	X-426-3	Clamp, hose, .56/1.06 in.	1	1
41	GM59156	Connector, Hose	1	1
42	GM58131	Hose, Lower Radiator	1	1
43	X-426-6	Clamp, hose, 1.56/2.5 in.	2	2
44	GM64262	Guard, Belt Bottom	1	1
45	X-6242-15	Line, Flex Fuel	1	1
46	X-426-10	Clamp, hose, .5/1 in.	2	2
47	X-203-13	Tee, pipe (1/2 x 1/2 x 1/2 npt)	1	1
48	X-215-1	Elbow, pipe (90 deg x 1/2 in. npt)	1	1
49	X-209-26	Pipe (1/2 in. npt x 12.00 in.)	1	1
50	X-209-31	Pipe, Nipple 1/2 in. NPT x 10.5 in. Long	1	1
51	GM55481	Shield, Heat	1	1
52	GM64266	Guard, Belt Manifold	1	1
53	GM64265	Guard, Belt Upper Left	1	1
54	GM64271	Bracket, Belt Guard	1	1
55	GM49816	Fan, Pusher	1	1
56	X-125-5	Bolt, Hex Cap	4	4
57	X-801-4	Washer, hardened, .328 ID x .719 in. OD	4	4
58	GM64269	Guard, Belt Top	1	1

Group 105: Engine

25/30 kW, Natural Gas/LPG Vapor



Detail A



Detail D

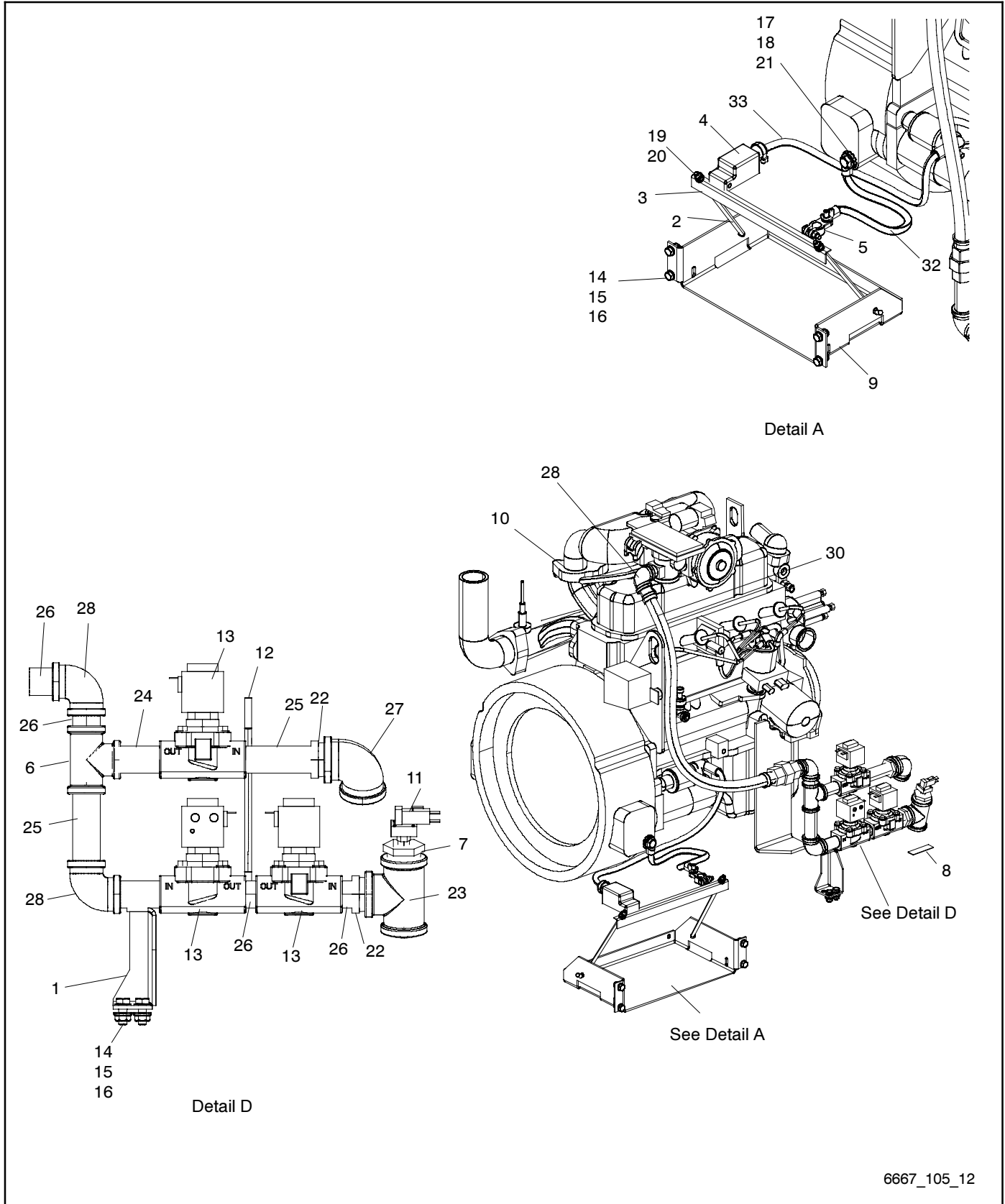
6667_105_11

Group 105: Engine

Item	Part Number	Description	Qty.
			Var. No. 17
1	254456	Bracket, fuel valve	1
2	290869	Bolt, angle	2
3	324033	Clamp, battery	1
4	345039	Terminal, battery	1
5	345056	Terminal, battery	1
6	GM20577	Decal, fuel type	1
7	GM42534	Harness, gas valve	1
8	GM57161	Rack, battery	1
9	GM65505-1	Engine assy	1
10	GM71053	Valve, shut off	1
11	M125A-08-80	Washer, plain 8.4 ID x 16.0 OD	6
12	M6923-08-80	Nut, Hex 8mm	6
13	M933-08020-60	Screw, hex cap	6
14	X-22-26	Washer, lock, .521 ID x 1.24 in. OD	1
15	X-25-26	Washer, plain, .531 ID x 1.062 in. OD	1
16	X-25-44	Washer, plain, .328 ID x .562 OD	2
17	X-101-16	Nut, hex elastic stop, 5/16-18	2
18	X-129-15	Bolt, hex cap	1
19	X-202-1	Bushing, reducing (3/4 x 1 in. npt)	1
20	X-206-2	Pipe, Nipple (3/4 in. npt x 2.00 in.)	1
21	X-206-6	Pipe (3/4 in. npt x 3.50 in.)	1
22	X-215-15	Elbow, pipe (90 deg x 1 in. npt)	1
23	X-215-2	Elbow, pipe (90 deg x 3/4 in. npt)	2
24	X-468-1	Cable tie	1
25	X-504-18	Fuel line, flexible (.75 in. ID x 28.75 in.)	1
26	X-519-20	Plug, cap	1
27	X-545-112	Cable, battery (No.2 x 16 in.) black-	1
28	X-545-135	Cable, battery (No.0 x 30 in.) red+	1

Group 105: Engine

25/30 kW, Dual Fuel Natural Gas/LPG Vapor



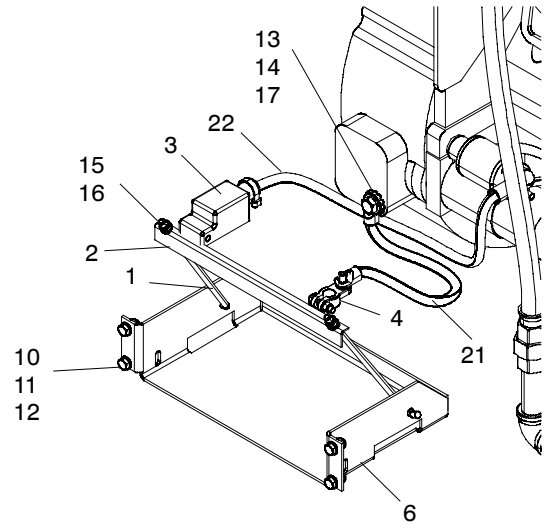
6667_105_12

Group 105: Engine

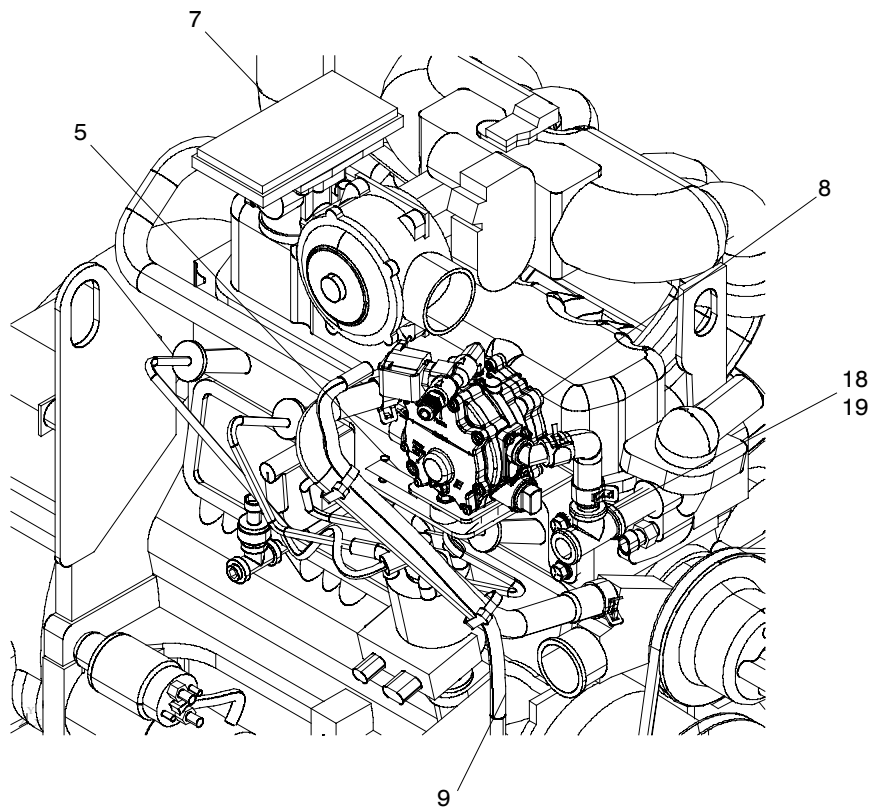
Item	Part Number	Description	Qty.
			Var. No.
			18
1	254456	Bracket, fuel valve	1
2	290869	Bolt, angle	2
3	324033	Clamp, battery	1
4	345039	Terminal, battery	1
5	345056	Terminal, battery	1
6	A-108	Tee, pipe (3/4 x 3/4 x 3/4 npt)	1
7	AC-1459	Bushing, reducing (1/8 x 1 in. npt)	1
8	GM20577	Decal, fuel type	1
9	GM57161	Rack, battery	1
10	GM65505-2	Engine assy	1
11	GM70539	Switch, pressure 3.0 in. h20	1
12	GM70638	Harness, dual fuel extension	1
13	GM71053	Valve, shut off	3
14	M125A-08-80	Washer, plain 8.4 ID x 16.0 OD	6
15	M6923-08-80	Nut, Hex 8mm	6
16	M933-08020-60	Screw, hex cap	6
17	X-22-26	Washer, lock, .521 ID x 1.24 in. OD	1
18	X-25-26	Washer, plain, .531 ID x 1.062 in. OD	1
19	X-25-44	Washer, plain, .328 ID x .562 OD	2
20	X-101-16	Nut, hex elastic stop, 5/16-18	2
21	X-129-15	Bolt, hex cap	1
22	X-202-1	Bushing, reducing (3/4 x 1 in. npt)	2
23	X-203-2	Tee, pipe (1 x 1 x 1 npt)	1
24	X-206-4	Pipe, Nipple (3/4 in. npt x 2.50 in.)	1
25	X-206-6	Pipe, nipple (3/4 in. npt x 4.00 in.)	2
26	X-206-9	Pipe (3/4 in. npt x 1.38 in.) (km)	5
27	X-215-15	Elbow, pipe (90 deg x 1 in. npt)	1
28	X-215-2	Elbow, pipe (90 deg x 3/4 in. npt)	3
29	X-468-1	Cable tie	1
30	X-504-18	Line, flexible fuel	1
31	X-519-20	Plug, cap	2
32	X-545-112	Cable, battery (No.2 x 16 in.) black-	1
33	X-545-135	Cable, battery (No.0 x 30 in.) red+	1

Group 105: Engine

25/30 kW, LP Liquid Withdrawal



Detail A



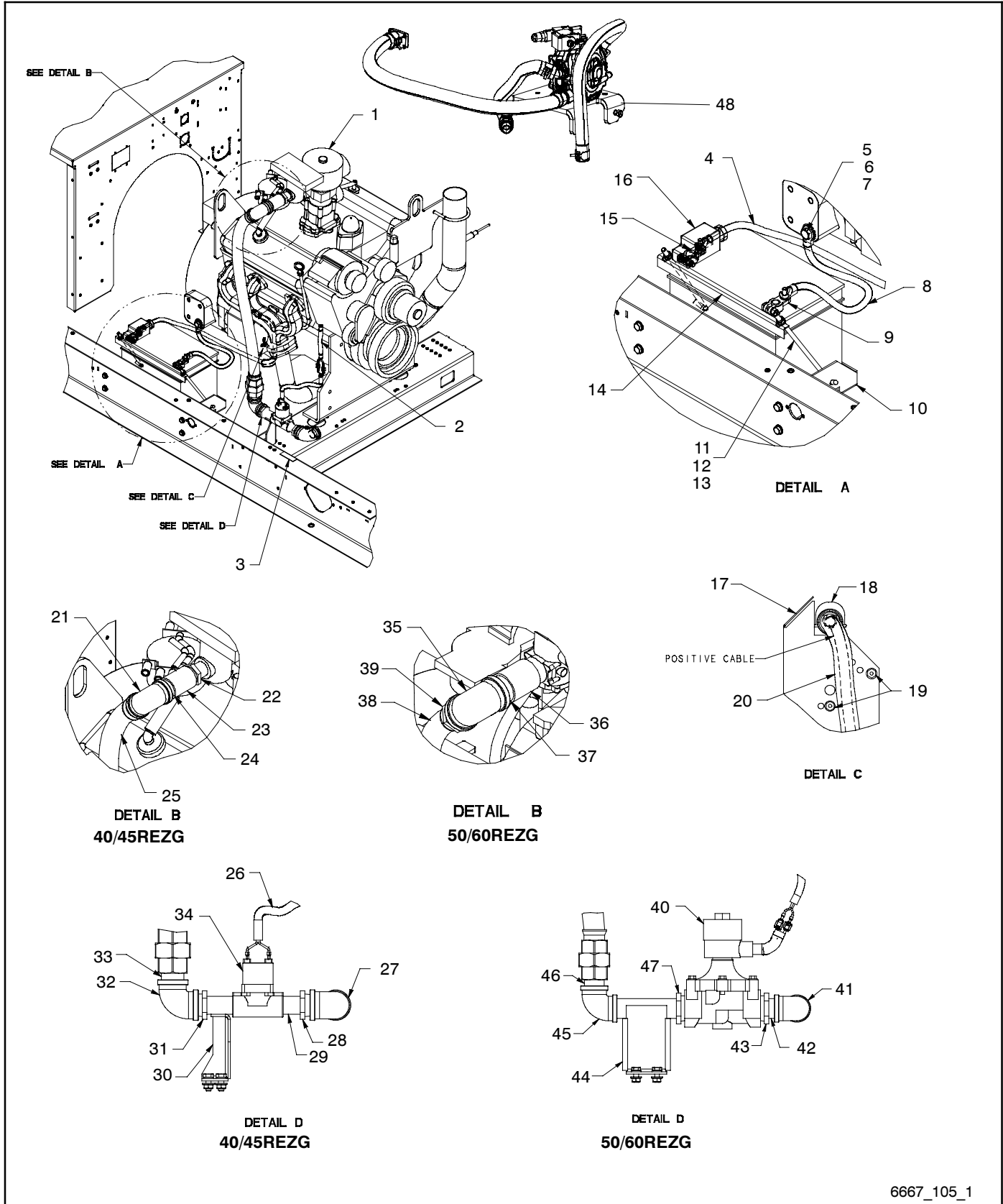
6667_105_13

Group 105: Engine

Item	Part Number	Description	Qty.
			Var. No. 19
1	290869	Bolt, angle	2
2	324033	Clamp, battery	1
3	345039	Terminal, battery	1
4	345056	Terminal, battery	1
5	GM20175	Decal, fuel type	1
6	GM57161	Rack, battery	1
7	GM65505-1	Engine assy	1
8	GM70312	Vaporizer, lp liquid withdrawal, 3.0l	1
9	GM70629	Harness, liq fuel	1
10	M125A-08-80	Washer, plain 8.4 ID x 16.0 OD	4
11	M6923-08-80	Nut, Hex 8mm	4
12	M933-08020-60	Screw, hex cap	4
13	X-22-26	Washer, lock, .521 ID x 1.24 in. OD	1
14	X-25-26	Washer, plain, .531 ID x 1.062 in. OD	1
15	X-25-44	Washer, plain, .328 ID x .562 OD	2
16	X-101-16	Nut, hex elastic stop, 5/16-18	2
17	X-129-15	Bolt, hex cap	1
18	X-203-13	Tee, pipe	1
19	X-203-3	Fitting, pipe nipple	1
20	X-468-1	Cable tie	3
21	X-545-112	Cable, battery (No.2 x 16 in.) black-	1
22	X-545-135	Cable, battery (No.0 x 30 in.) red+	1

Group 105: Engine

40-60 kW, Natural Gas/LPG Vapor/LP Liquid Withdrawal



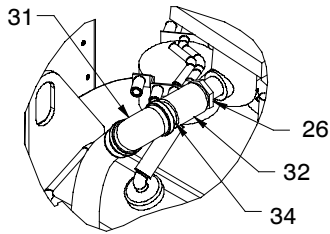
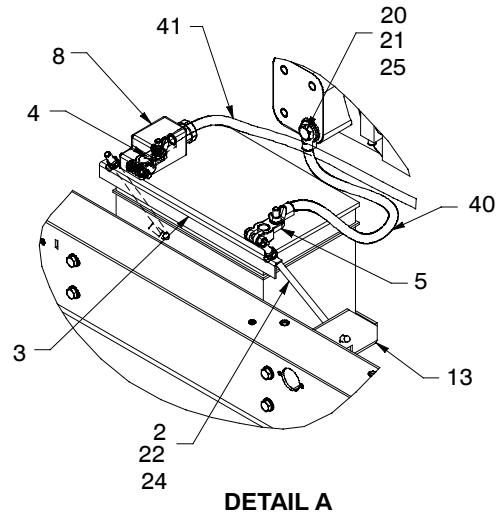
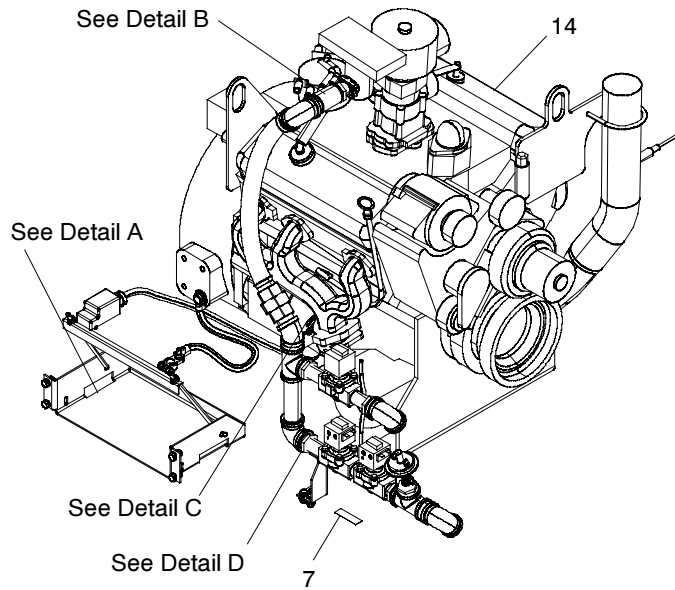
6667_105_1

Group 105: Engine

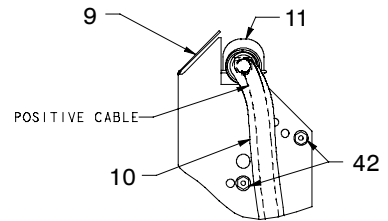
Item	Part Number	Description	Quantity					
			Variation Number					
			1	3	4	6	7	9
1	GM65420-1	Engine Assy 4.3L 12V Nat./LP Gas	1	1				
1	GM65421-1	Engine Assy 5.0L 12V Nat./LP Gas			1	1		
1	GM65422-1	Engine Assy 5.7L 12V Nat./LP Gas					1	1
2	GM14263	Harness, Fuel Nat./LP Gas			1		1	
2	GM70629	Harness, Liquid Fuel		1				
2	GM70480	Harness, Liquid Fuel				1		1
3	GM20577	Decal, Fuel Type	1		1		1	
3	GM20175	Decal, Fuel Type		1		1		1
4	X-545-137	Cable, battery (No.2 x 30 in.) red+	1	1	1	1	1	1
5	X-129-15	Bolt, Hex Cap	1	1	1	1	1	1
6	X-22-26	Washer,lock, .521 ID x 1.24 in. OD	1	1	1	1	1	1
7	X-25-26	Washer, plain, .531 ID x 1.062 in. OD	1	1	1	1	1	1
8	X-545-112	Cable, battery (No.2 x 16 in.) black-	1	1	1	1	1	1
9	345056	Terminal, battery	1	1	1	1	1	1
10	GM57161	Rack, Battery	1	1	1	1	1	1
11	290869	Bolt, Angle	2	2	2	2	2	2
12	X-101-16	Nut, hex elastic stop, 5/16-18	2	2	2	2	2	2
13	X-25-44	Washer, plain, .328 ID x .562 OD	2	2	2	2	2	2
14	324033	Clamp, battery	1	1	1	1	1	1
15	345039	Terminal, battery	1	1	1	1	1	1
16	GM20745	Boot, Battery Lug	1	1	1	1	1	1
17	GM21188	Shield, Heat	1	1	1	1	1	1
18	GM22350	Boot, Starter Terminal	1	1	1	1	1	1
19	X-6210-5	Nut, flange whiz, 10-24	2	2	2	2	2	2
20	GM21335	Shield, heat (20mm ID x 412mm length)	1	1	1	1	1	1
21	X-215-15	Elbow, pipe (90 deg x 1 in. npt)	1					
22	X-202-1	Bushing, reducing (3/4 x 1 in. npt)	1					
23	X-216-12	Coupling, pipe (1 in. npsc)	1					
24	X-218-24	Pipe (1 in. npt x 1.50 in.)	1					
25	X-504-20	Fuel line, flexible (1.00 in. ID x 29 in.)	1					
26	GM45927	Harness, Gas Valve	1					
27	X-215-15	Elbow, pipe (90 deg x 1 in. npt)	1					
28	X-202-1	Bushing, reducing (3/4 x 1 in. npt)	1					
29	X-206-2	Pipe, Nipple (3/4 in. npt x 2.00 in.)	1					
30	254456	Bracket, fuel valve	1					
31	X-202-1	Bushing, reducing (3/4 x 1 in. npt)	1					
32	X-215-15	Elbow, pipe (90 deg x 1 in. npt)	1					
33	X-218-24	Pipe (1 in. npt x 1.50 in.)	1					
34	GM42530	Valve, Gas Shut-Off	1					
35	X-215-14	Elbow, pipe (90 deg x 1-1/4 in. npt)			1		1	
36	X-216-22	Coupling, pipe (1-1/4 in. npsc)			1		1	
37	X-210-8	Pipe (1-1/4 in. npt x 1.63 in.)			1		1	
38	X-504-20	Fuel line, flexible (1.00 in. ID x 29 in.)			1		1	
39	X-202-32	Bushing, reducing (1 x 1-1/4 in. npt)			1		1	
40	GM70497	Valve assembly, gas			1		1	
41	X-215-15	Elbow, pipe (90 deg x 1 in. npt)			1		1	
42	X-218-24	Pipe (1 in. npt x 1.50 in.)			1		1	
43	X-202-32	Bushing, reducing (1 x 1-1/4 in. npt)			1		1	
44	GM13662	Bracket, Support			1		1	
45	X-215-15	Elbow, pipe (90 deg x 1 in. npt)			1		1	
46	X-218-24	Pipe (1 in. npt x 1.50 in.)			1		1	
47	X-202-32	Bushing, reducing (1 x 1-1/4 in. npt)			1		1	
48	GM70198	Vaporizer, LP Liquid Withdrawal		1				
48	GM70313	Vaporizer, LP Liquid Withdrawal				1		1

Group 105: Engine, continued

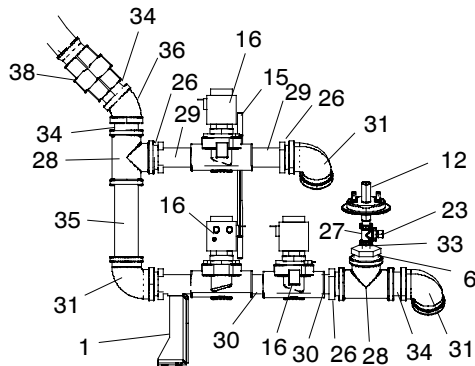
40-45 kW, Dual Fuel Natural Gas/LPG Vapor



DETAIL B



DETAIL C



DETAIL D

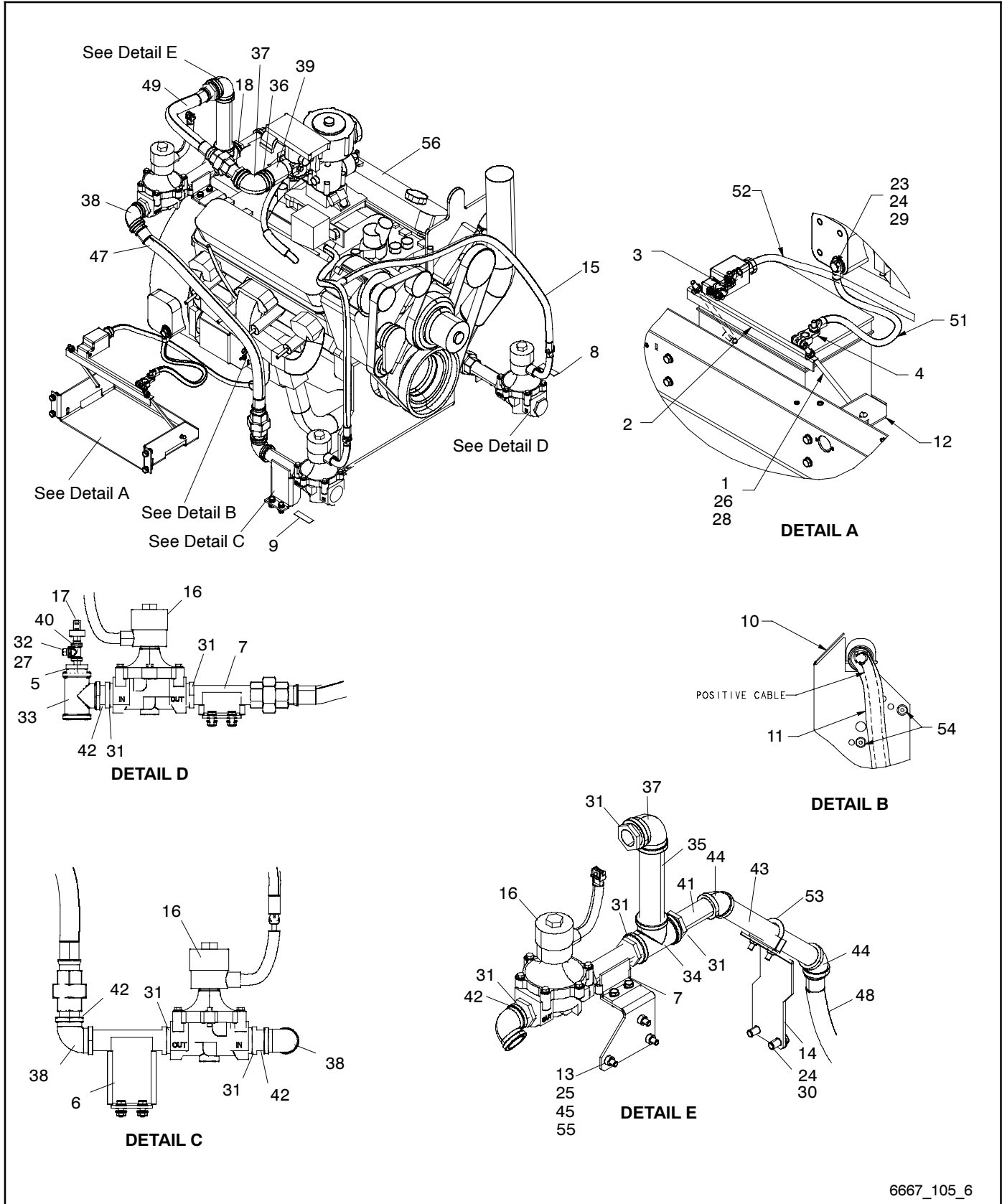
6667_105_5

Group 105: Engine, continued

Item	Part Number	Description	Qty.
			Var. No. 2
1	254456	Bracket, fuel valve	1
2	290869	Bolt, Angle	2
3	324033	Clamp, battery	1
4	345039	Terminal, battery	1
5	345056	Terminal, battery	1
6	AC-1459	Bushing, reducing (1/8 x 1 in. npt)	1
7	GM20577	Decal, Fuel Type	1
8	GM20745	Boot, Battery Lug	1
9	GM21188	Shield, Heat	1
10	GM21335	Shield, heat (20mm ID x 412mm length)	1
11	GM22350	Boot, Starter Terminal	1
12	GM70538	Switch, Pressure 6.27 in. H2O	1
13	GM57161	Rack, Battery	1
14	GM65420-1	Engine Assy 4.3L 12V Nat./LP Gas	1
15	GM70638	Harness, Dual Fuel GM 40/45 kW	1
16	GM71053	Valve, Shut Off	3
20	X-22-26	Washer, lock, .521 ID x 1.24 in. OD	1
21	X-25-26	Washer, plain, .531 ID x 1.062 in. OD	1
22	X-25-44	Washer, Plain.328 ID x .562 OD	2
23	X-75-1	Plug, pipe (1/8 in. nptf)	1
24	X-101-16	Nut, hex elastic stop, 5/16-18	2
25	X-129-15	Bolt, Hex Cap	1
26	X-202-1	Bushing, reducing (3/4 x 1 in. npt)	5
27	X-203-10	Tee, pipe (1/8 x 1/8 x 1/8 npt)	1
28	X-203-2	Tee, pipe (1 x 1 x 1 npt)	2
29	X-206-4	Pipe, Nipple (3/4 in. npt x 2.50 in.)	2
30	X-206-9	Pipe (3/4 in. npt x 1.38 in.)	2
31	X-215-15	Elbow, pipe (90 deg x 1 in. npt)	4
32	X-216-12	Coupling, pipe (1 in. npsc)	1
33	X-217-6	Pipe (1/8 in. npt x .75 in.)	2
34	X-218-24	Pipe (1 in. npt x 1.50 in.)	4
35	X-218-30	Pipe (1 in. npt x 5.00 in.)	1
36	X-225-9	Elbow, pipe (45 deg x 1 in. npt)	1
38	X-504-20	Fuel line, flexible (1.00 in. ID x 29 in.)	1
40	X-545-112	Cable, battery (No.2 x 16 in.) black-	1
41	X-545-137	Cable, battery (No.2 x 30 in.) red+	1
42	X-6210-5	Nut, flange whiz, 10-24	2

Group 105: Engine, continued

50/60 kW, Dual Fuel Natural Gas/LPG Vapor



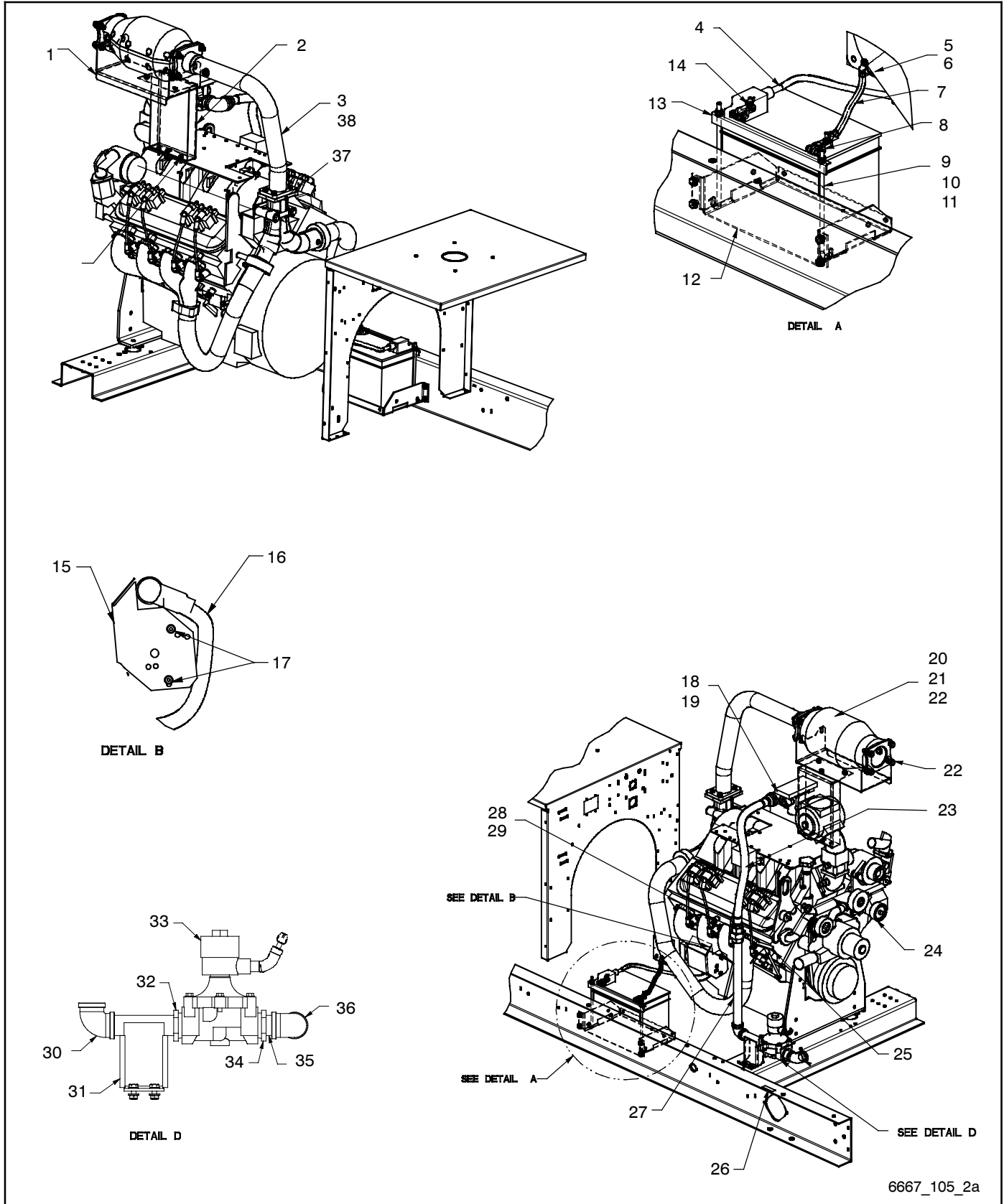
6667_105_6

Group 105: Engine, continued

Item	Part Number	Description	Qty.	
			5	8
1	290869	Bolt, Angle	2	2
2	324033	Clamp, battery	1	1
3	345039	Terminal, battery	1	1
4	345056	Terminal, battery	1	1
5	AC-1459	Bushing, reducing (1/8 x 1 in. npt)	1	1
6	GM13662	Bracket, Support	1	1
7	GM17263	Bracket, Fuel Valve	2	2
8	GM20174	Decal, Fuel Type	1	1
9	GM20577	Decal, Fuel Type	1	1
10	GM21188	Shield, Heat	1	1
11	GM21335	Shield, heat (20mm ID x 412mm length)	1	1
12	GM57161	Rack, Battery	1	1
13	GM70377	Bracket, Support	1	1
14	GM70399	Bracket, Support	1	1
15	GM70471	Harness, Dual Fuel Nat/LP Gas	1	1
16	GM70497	Valve, Gas Assy	3	3
17	GM70538	Switch, Pressure 6.27 in. H2O	1	1
18	K-122	Pipe (1 NPT x 2 in.)	1	1
23	X-22-26	Washer, lock, .521 ID x 1.24 in. OD	1	1
24	X-25-26	Washer, plain, .531 ID x 1.062 in. OD	3	3
25	X-25-37	Washer, plain, .406 ID x .812 in. OD	3	3
26	X-25-44	Washer, Plain.328 ID x .562 OD	2	2
27	X-75-1	Plug, pipe (1/8 in. nptf)	1	1
28	X-101-16	Nut, hex elastic stop, 5/16-18	2	2
29	X-129-15	Bolt, Hex Cap	1	1
30	X-129-17	Bolt, Hex Cap	2	2
31	X-202-32	Bushing, reducing (1 x 1-1/4 in. npt)	10	10
32	X-203-10	Tee, pipe (1/8 x 1/8 x 1/8 npt)	1	1
33	X-203-2	Tee, pipe (1 x 1 x 1 npt)	1	1
34	X-203-26	Tee, pipe (1-1/4 x 1-1/4 x 1-1/4 npt)	1	1
35	X-210-18	Pipe (1-1/4 in. npt x 7.00 in.)	1	1
36	X-210-8	Pipe (1-1/4 in. npt x 1.63 in.)	1	1
37	X-215-14	Elbow, pipe (90 deg x 1-1/4 in. npt)	2	2
38	X-215-15	Elbow, pipe (90 deg x 1 in. npt)	3	3
39	X-216-22	Coupling, pipe (1-1/4 in. npsc)	1	1
40	X-217-6	Pipe (1/8 in. npt x .75 in.)	1	1
41	X-218-13	Pipe (1 in. npt x 4.00 in.)	1	1
42	X-218-24	Pipe (1 in. npt x 1.50 in.)	4	4
43	X-218-26	Pipe (1 in. npt x 12.75 in.)	1	1
44	X-225-9	Elbow, pipe (45 deg x 1 in. npt)	2	2
45	X-400-75	Spacer, .406 ID x .625 OD x .297 in.	3	3
47	X-504-20	Fuel line, flexible (1.00 in. ID x 29 in.)	1	1
48	X-504-20	Fuel line, flexible (1.00 in. ID x 29 in.)	1	1
49	X-504-21	Fuel line, flexible (1.00 in. ID x 18 in.)	1	1
51	X-545-112	Cable, battery (No.2 x 16 in.) black-	1	1
52	X-545-137	Cable, battery (No.2 x 30 in.) red+	1	1
53	X-722-8	Clamp, muffler, 1.37 in.	1	1
54	X-6210-5	Nut, flange whiz, 10-24	2	2
55	X-6238-11	Bolt, Hex Cap (3/8-16 x 1 in.) Gr. 5	3	3
56	GM65421-2	Engine Assy 5.0L 12V Nat./LP Gas	1	
56	GM65422-2	Engine Assy 5.7L 12V Nat./LP Gas		1

Group 105: Engine, continued

80-100 kW, Natural Gas/LPG Vapor

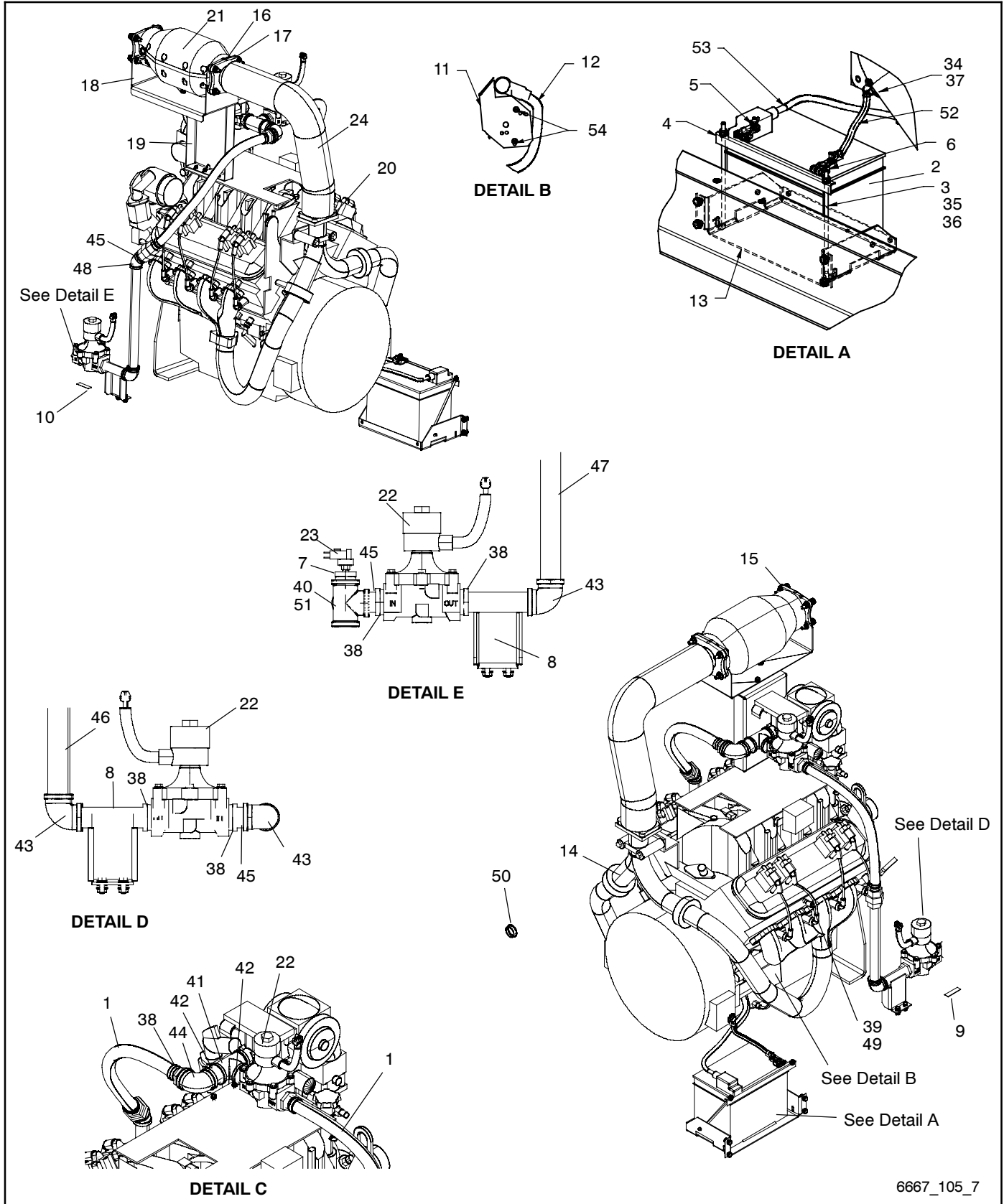


Group 105: Engine, continued

Item	Part Number	Description	Qty.
			Var. No. 11
1	GM66579	Bracket, catalyst mount	1
2	GM66580	Bracket, catalyst support	1
3	GM66576	Tube, exhaust	1
4	X-545-137	Cable, battery (no.2 x 30 in.) red+	1
5	X-129-15	Bolt, hex cap	1
6	X-22-26	Washer,lock, .521 ID x 1.24 in. OD	1
7	X-545-112	Cable, battery (no.2 x 16 in.) black-	1
8	345056	Terminal,battery	1
9	290869	Bolt, angle	2
10	X-101-4	Nut, hex elastic stop, 5/16-24	2
11	X-25-44	Washer,plain, .328 ID x .562 Od	2
12	GM57161	Rack, battery	1
13	324033	Clamp, battery	1
14	345039	Terminal, battery	1
15	GM21188	Shield, heat	1
16	GM21335	Shield, heat (20mm ID x 412mm length)	1
17	X-6210-5	Nut, flange whiz, 10-24	2
18	X-215-14	Elbow, pipe (90 deg x 1-1/4 in. npt)	1
19	X-202-32	Bushing, reducing (1 x 1-1/4 in. npt)	1
20	GM66574	Catalyst	1
21	GM67001	Wrap, catalyst	1
22	GM66053	Gasket, exhaust	2
23	X-504-20	Fuel line, flexible (1.00 in. ID X 29 in.)	1
24	GM62287-1	Engine assy NA 8.1L 12V NG/LPG	1
25	X-22-14	Washer, lock, .391 ID x .975 in. OD	1
26	GM20577	Decal, fuel type	1
27	X-218-26	Pipe (1 in. npt x 12.75 in.)	1
28	X-202-47	Bushing, reducing (1/4 x 1/2 in. npt)	1
29	X-256-3	Valve, drain (1/4 in. nptf)	1
30	X-215-15	Elbow, pipe (90 deg x 1 in. npt)	1
31	GM13662	Bracket, support	1
32	X-202-32	Bushing, reducing (1 x 1-1/4 in. npt)	1
33	GM70497	Valve assembly, gas	1
34	X-202-32	Bushing, reducing (1 x 1-1/4 in. npt)	1
35	X-218-24	Pipe (1 in. npt x 1.50 in.)	1
36	X-215-15	Elbow, pipe (90 deg x 1 in. npt)	1
37	GM66600	Gasket, exhaust	1
38	GM70711	Blanket, insulation	1

Group 105: Engine, continued

80-100 kW, Dual Fuel

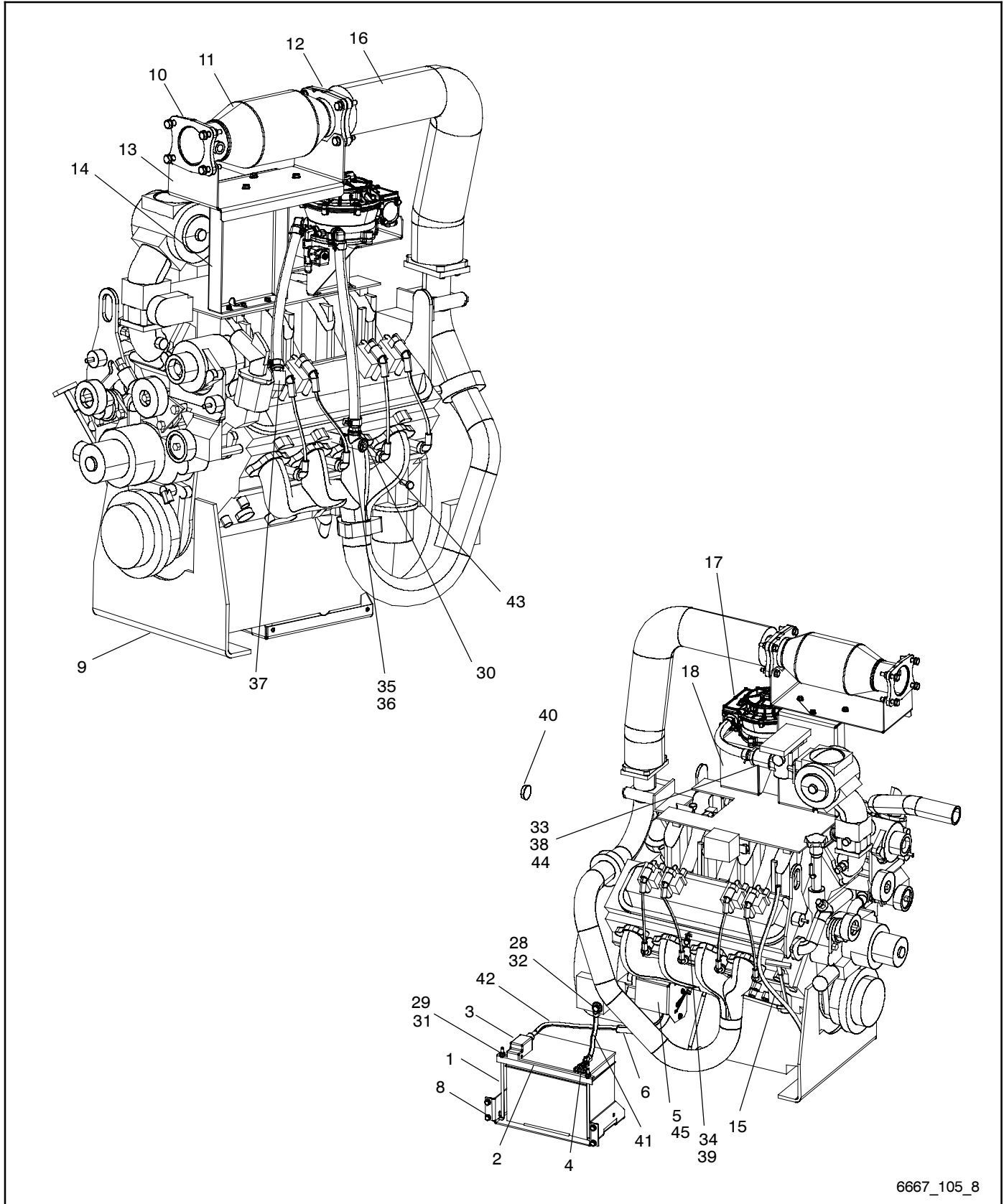


Group 105: Engine, continued

Item	Part Number	Description	Qty.
			Var. No. 13
1	X-504-20	Fuel line, flexible (1.00 in. ID x 29 in.)	2
2	256985	Battery, 1/12V, 650CCA, Wet	1
3	290869	Bolt, Angle	2
4	324033	Clamp, battery	1
5	345039	Terminal, battery	1
6	345056	Terminal, battery	1
7	AC-1459	Bushing, reducing (1/8 x 1 in. npt)	1
8	GM13662	Bracket, Support	2
9	GM20173	Decal, Fuel Type	1
10	GM20174	Decal, Fuel Type	1
11	GM21188	Shield, Heat	1
12	GM21335	Shield, heat (20mm ID x 412mm length)	1
13	GM57161	Rack, Battery	1
14	GM62287-2	Engine Assy NA 8.1L 12V Dual NG/LPG	1
15	GM66053	Gasket, Exhaust	2
16	GM66574	Catalyst	1
17	GM66576	Tube, Exhaust	1
18	GM66579	Bracket, Catalyst Mount	1
19	GM66580	Bracket, Catalyst Support	1
20	GM66600	Gasket, Exhaust	1
21	GM67001	Wrap, Catalyst	1
22	GM70497	Valve, Gas Assy	3
22	GM70471	Harness, Dual Fuel Nat/LP Gas (not shown)	1
23	GM70539	Switch, Pressure 3.0 in. H2O	1
24	GM70711	Blanket, Insulation	1
34	X-22-26	Washer, lock, .521 ID x 1.24 in. OD	1
35	X-25-44	Washer, Plain.328 ID x .562 OD	2
36	X-101-4	Nut, hex elastic stop, 5/16-24	2
37	X-129-15	Bolt, Hex Cap	1
38	X-202-32	Bushing, reducing (1 x 1-1/4 in. npt)	7
39	X-202-47	Bushing, reducing (1/4 x 1/2 in. npt)	1
40	X-203-2	Tee, pipe (1 x 1 x 1 npt)	1
41	X-203-26	Tee, pipe (1-1/4 x 1-1/4 x 1-1/4 npt)	1
42	X-210-3	Pipe (1-1/4 in. npt x 2.00 in.)	2
43	X-215-15	Elbow, pipe (90 deg x 1 in. npt)	3
44	X-215-20	Fitting, elbow, pipe	1
45	X-218-24	Pipe (1 in. npt x 1.50 in.)	3
46	X-218-26	Pipe (1 in. npt x 12.75 in.)	1
47	X-218-28	Pipe (1 in. npt x 16.00 in.)	1
48	X-225-9	Elbow, pipe (45 deg x 1 in. npt)	1
49	X-256-3	Valve, drain (1/4 in. nptf)	1
50	X-301-45	Plug, Button	1
51	X-519-20	Plug, Cap	2
52	X-545-112	Cable, battery (No.2 x 16 in.) black-	1
53	X-545-137	Cable, battery (No.2 x 30 in.) red+	1
54	X-6210-5	Nut, flange whiz, 10-24	2

Group 105: Engine, continued

80-100 kW, LP Liquid Withdrawal



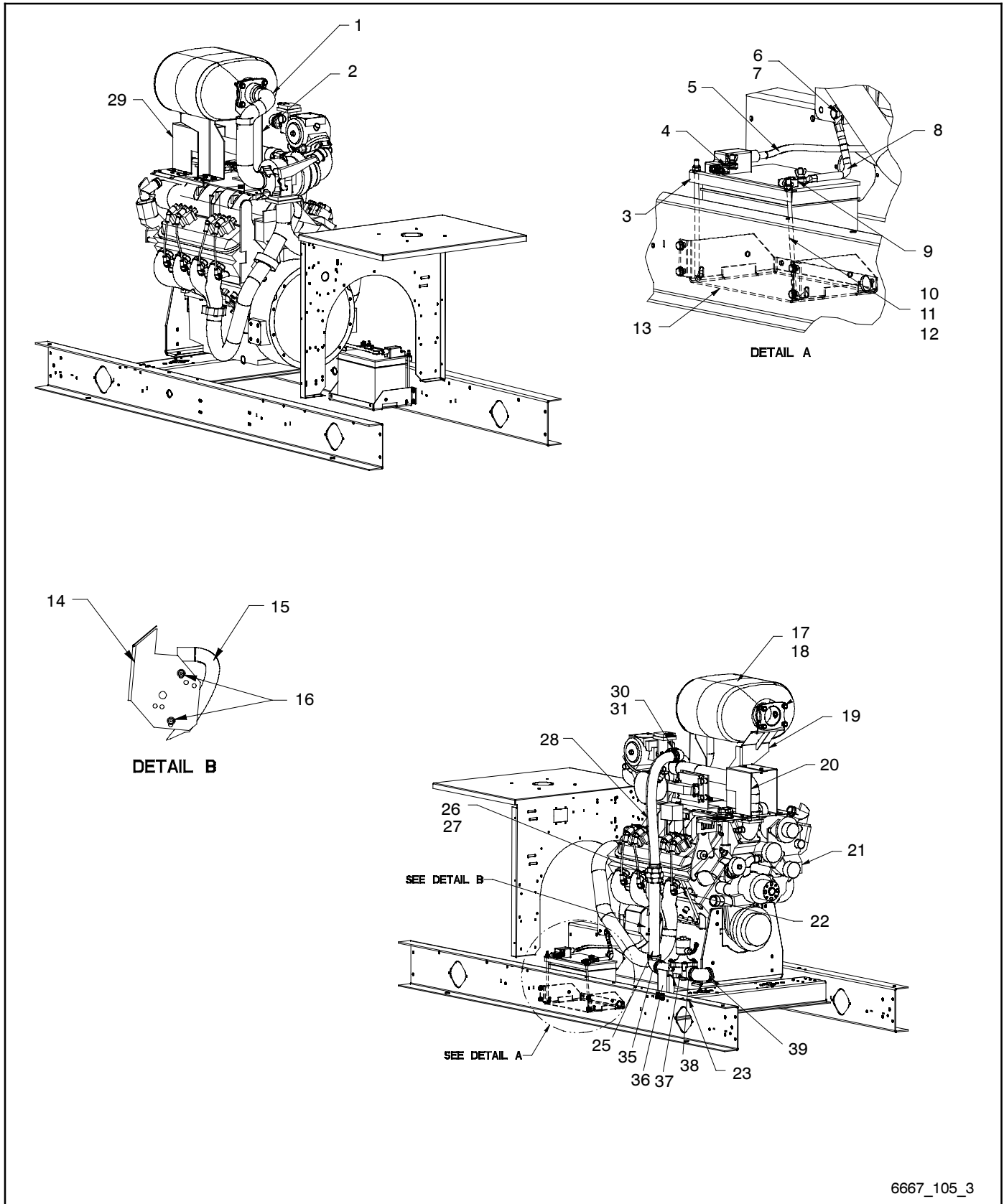
6667_105_8

Group 105: Engine, continued

Item	Part Number	Description	Qty.
			Var. No. 14
1	290869	Bolt, Angle	2
2	324033	Clamp, battery	1
3	345039	Terminal, battery	1
4	345056	Terminal, battery	1
5	GM21188	Shield, Heat	1
6	GM21335	Shield, heat (20mm ID x 412mm length)	1
8	GM57161	Rack, Battery	1
9	GM62287-2	Engine Assy NA 8.1L 12V Dual NG/LPG	1
10	GM66053	Gasket, Exhaust	2
11	GM66574	Catalyst	1
12	GM66576	Tube, Exhaust	1
13	GM66579	Bracket, Catalyst Mount	1
14	GM66580	Bracket, Catalyst Support	1
15	GM70629	Harness, extension LP Liquid Fuel	1
16	GM70711	Blanket, Insulation	1
17	GM71290	Vaporizer, LP Liquid Withdrawal	1
18	GM71331	Bracket, vaporizer mounting	1
28	X-22-26	Washer, lock, .521 ID x 1.24 in. OD	1
29	X-25-44	Washer, Plain.328 ID x .562 OD	2
30	X-75-54	Plug, pipe (1/2 in. nptf) brass	1
31	X-101-4	Nut, hex elastic stop, 5/16-24	2
32	X-129-15	Bolt, Hex Cap	1
33	X-202-18	Bushing, reducing (3/4 x 1-1/4 in. npt)	1
34	X-202-47	Bushing, reducing (1/4 x 1/2 in. npt)	1
35	X-203-13	Tee, pipe (1/2 x 1/2 x 1/2 npt)	1
36	X-209-3	Pipe, Nipple (1/2 in. NPT x 2.50 in.)	1
37	X-211-3	Elbow, street (90 deg x 1/2 in. nptf)	1
38	X-216-30	Coupling	1
39	X-256-3	Valve, drain (1/4 in. nptf)	1
40	X-301-45	Plug, Button	1
41	X-545-112	Cable, battery (No.2 x 16 in.) black-	1
42	X-545-137	Cable, battery (No.2 x 30 in.) red+	1
43	X-582-1	Connector, Hose 5/8 in. x 1/2 in. MIP Brass	2
44	X-582-8	Connector, hose + Vibra Seal	1
45	X-6210-5	Nut, flange whiz, 10-24	2

Group 105: Engine, continued

125 kW, Natural Gas/LPG Vapor



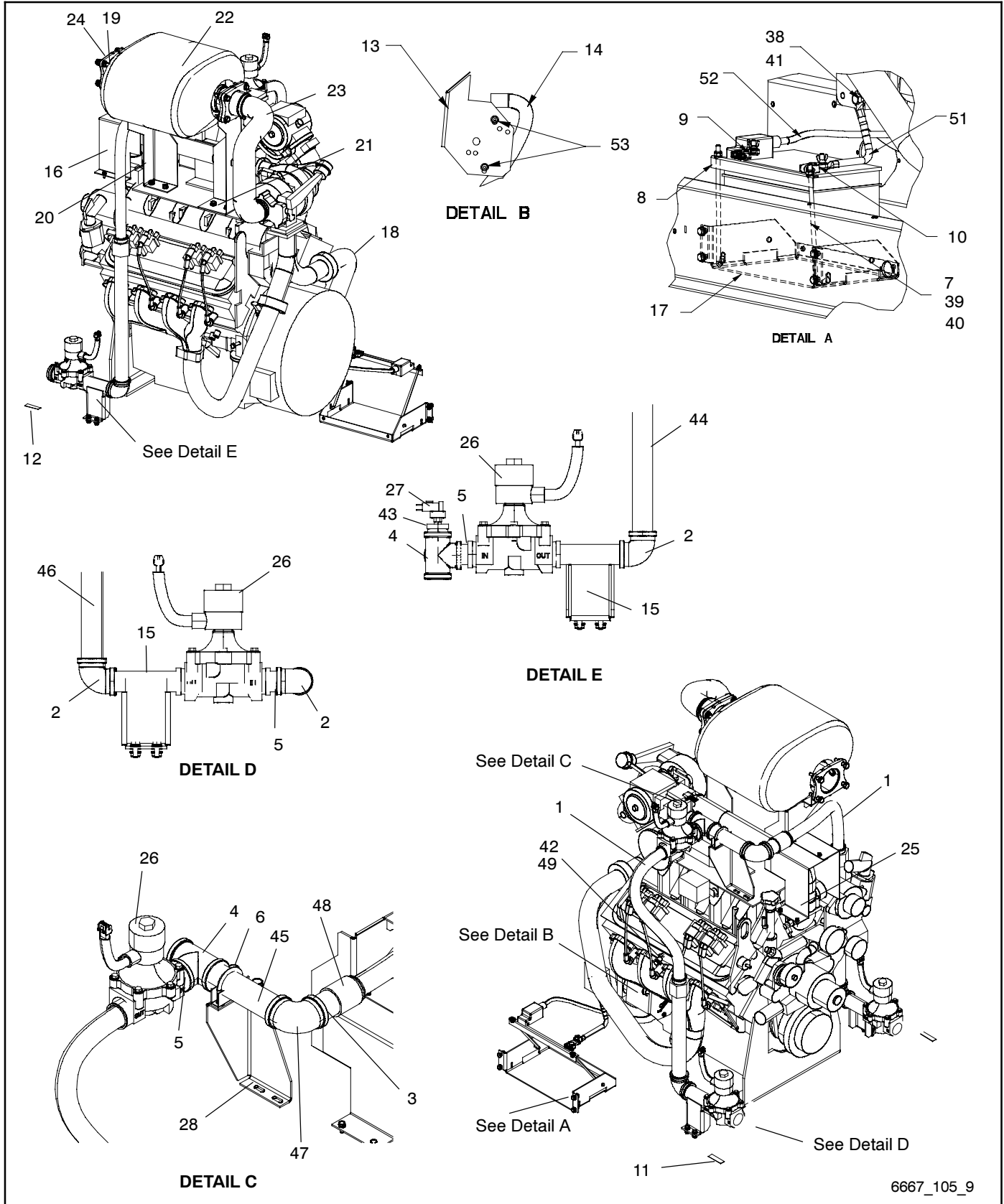
6667_105_3

Group 105: Engine, continued

Item	Part Number	Description	Qty.
			Var. No. 12
1	GM66052	Tube, exhaust	1
2	GM65751	Bracket, support	1
3	324033	Clamp, battery	1
4	345039	Terminal, battery	1
5	X-545-137	Cable, battery (no.2 x 30 in.) red+	1
6	X-129-15	Bolt, hex cap	1
7	X-22-26	Washer,lock, .521 ID x 1.24 in. OD	1
8	X-545-112	Cable, battery (no.2 x 16 in.) black-	1
9	345056	Terminal, battery	1
10	290869	Bolt, angle	2
11	X-101-16	Nut, hex elastic stop, 5/16-18	2
12	X-25-44	Washer,plain, .328 ID x .562 OD	2
13	GM57161	Rack, battery	1
14	GM21188	Shield, heat	1
15	GM21335	Shield, heat (20mm ID x 412mm length)	1
16	X-6210-5	Nut, flange whiz, 10-24	2
17	GM65728	Catalyst	1
17	GM65752	Wrap, catalyst	1
18	GM66053	Gasket, exhaust	2
19	GM65743	Bracket, support	1
20	GM66598	Guard, hose (left)	1
21	GM62288-1	Engine assy turbo 8.1L 12V NG/LPG	1
22	X-22-14	Washer, lock, .391 ID x .975 in. OD	1
23	GM20577	Decal, fuel type	1
25	X-205-25	Pipe (1-1/2 in. npt x 14.25 in.)	1
26	X-202-47	Bushing, reducing (1/4 x 1/2 in. npt)	1
27	X-256-3	Washer,plain, .328 ID x .562 OD	1
28	X-504-22	Fuel line, flexible (1.50 in. ID x 28.25 in.)	1
29	GM30906	Guard, hose (right)	1
30	X-215-14	Elbow, pipe (90 deg x 1-1/4in. npt)	1
31	153016	Bushing, reducer	1
35	151771	Elbow, pipe (90 deg x 1-1/2 in. npt)	1
36	GM23545	Bracket, support	1
37	GM70498	Valve, gas	1
38	155040	Pipe (1-1/2 in. npt x 1.75 in.)	1
39	151771	Elbow, pipe (90 deg x 1-1/2 in. npt)	1

Group 105: Engine, continued

125 kW, Dual Fuel Natural Gas/LPG Vapor

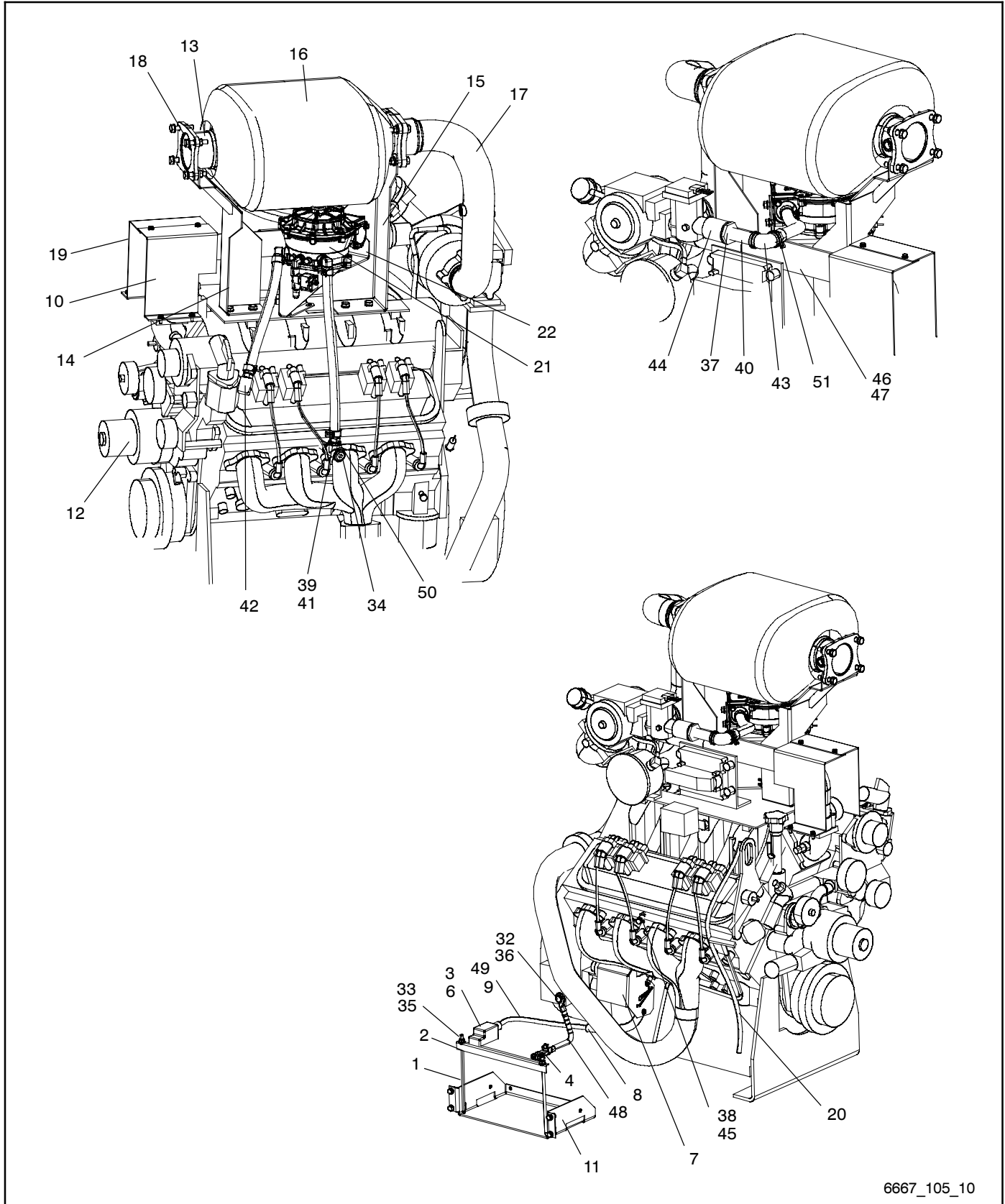


Group 105: Engine, continued

Item	Part Number	Description	Qty.
			Var. No. 15
1	X-504-22	Fuel line, flexible (1.50 in. ID x 28.25 in.)	2
2	151771	Elbow, pipe (90 deg x 1-1/2 in. npt)	3
3	151803	Pipe (1-1/2 in. npt x 2.50 in.)	1
4	155039	Tee, pipe (1-1/2 x 1-1/2 x 1-1/2 npt)	2
5	155040	Pipe (1-1/2 in. npt x 1.75 in.)	3
6	277706	Clamp, muffler, 1.87 in.	1
7	290869	Bolt, Angle	2
8	324033	Clamp, battery	1
9	345039	Terminal, battery	1
10	345056	Terminal, battery	1
11	GM20173	Decal, Fuel Type	1
12	GM20174	Decal, Fuel Type	1
13	GM21188	Shield, Heat	1
14	GM21335	Shield, heat (20mm ID x 412mm length)	1
15	GM23545	Bracket, Support	2
16	GM30906	Guard, Hose (Right)	1
17	GM57161	Rack, Battery	1
18	GM62288-2	Engine Assy Turbo 8.1L 12V Dual NG/LPG	1
19	GM65728	Catalyst	1
20	GM65743	Bracket, Support	1
21	GM65751	Bracket, Support	1
22	GM65752	Wrap, Catalyst	1
23	GM66052	Tube, Exhaust	1
24	GM66053	Gasket, Exhaust	2
25	GM66598	Guard, hose (left)	1
26	GM70498	Valve, Gas Assy	3
26	GM70441	Harness, Dual Fuel Nat/LP Gas (not shown)	1
27	GM70539	Switch, Pressure 3.0 in. H2O	1
28	GM70920	Bracket, Fuel Support	1
38	X-22-26	Washer, lock, .521 ID x 1.24 in. OD	1
39	X-25-85	Washer, plain, .344 ID x .687 in. OD	2
40	X-101-16	Nut, hex elastic stop, 5/16-18	2
41	X-129-15	Bolt, Hex Cap	1
42	X-202-47	Bushing, reducing (1/4 x 1/2 in. npt)	1
43	X-202-59	Bushing, reducing (1-1/2 in. npt to 1/8 in. npt)	1
44	X-205-13	Pipe (1-1/2 in. npt x 20.50 in.)	1
45	X-205-15	Pipe (1-1/2 in. npt x 7.00 in.)	1
46	X-205-25	Pipe (1-1/2 in. npt x 14.25 in.)	1
47	X-215-21	Fitting, elbow, 90 degree	1
48	X-216-21	Coupling, pipe (1-1/2 in. npsc)	1
49	X-256-3	Valve, drain (1/4 in. nptf)	1
51	X-545-112	Cable, battery (No.2 x 16 in.) black-	1
52	X-545-137	Cable, battery (No.2 x 30 in.) red+	1
53	X-6210-5	Nut, flange whiz, 10-24	2

Group 105: Engine, continued

125 kW, Liquid Withdrawal



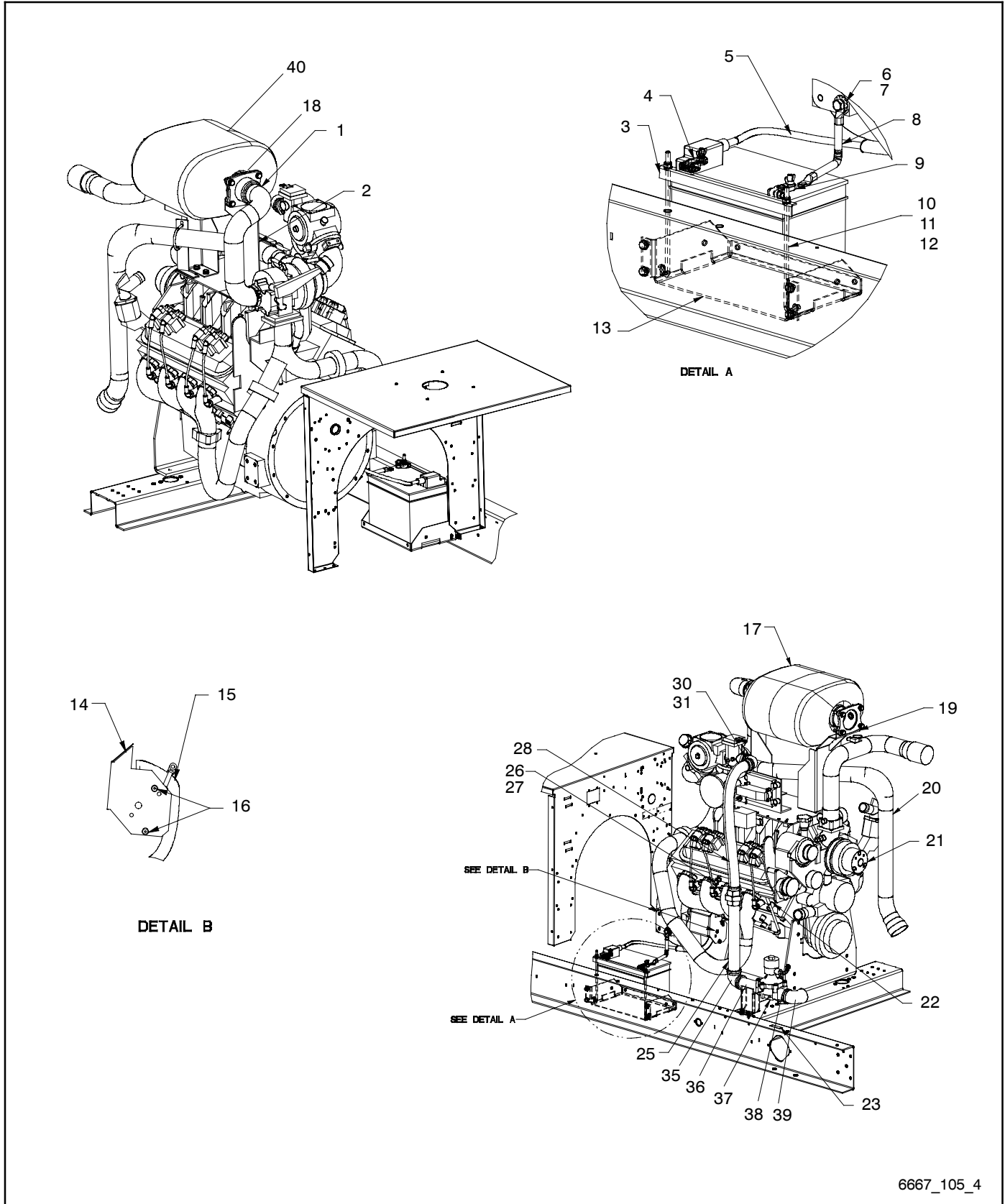
6667_105_10

Group 105: Engine, continued

Item	Part Number	Description	Qty.
			Var. No. 16
1	290869	Bolt, Angle	2
2	324033	Clamp, battery	1
3	345039	Terminal, battery	1
4	345056	Terminal, battery	1
5	GM20175	Decal, Fuel Type	1
6	GM20745	Boot, Battery Lug	1
7	GM21188	Shield, Heat	1
8	GM21335	Shield, heat (20mm ID x 412mm length)	1
9	GM22350	Boot, Starter Terminal	1
10	GM30906	Guard, Hose (Right)	1
11	GM57161	Rack, Battery	1
12	GM62288	Engine Assembly Composite	1
13	GM65728	Catalyst	1
14	GM65743	Bracket, Support	1
15	GM65751	Bracket, Support	1
16	GM65752	Wrap, Catalyst	1
17	GM66052	Tube, Exhaust	1
18	GM66053	Gasket, Exhaust	2
19	GM66598	Guard, hose (left)	1
20	GM70629	Harness, extension LP Liquid Fuel	1
21	GM71290	Vaporizer, LP Liquid Withdrawal	1
22	GM71331	Bracket, vaporizer mounting	1
32	X-22-26	Washer, lock, .521 ID x 1.24 in. OD	1
33	X-25-85	Washer, plain, .344 ID x .687 in. OD	2
34	X-75-54	Plug, pipe (1/2 in. nptf) brass	1
35	X-101-16	Nut, hex elastic stop, 5/16-18	2
36	X-129-15	Bolt, Hex Cap	1
37	X-202-18	Bushing, reducing (3/4 x 1-1/4 in. npt)	1
38	X-202-47	Bushing, reducing (1/4 x 1/2 in. npt)	1
39	X-203-13	Tee, pipe (1/2 x 1/2 x 1/2 npt)	1
40	X-206-6	Pipe (3/4 in. npt x 3.50 in.)	1
41	X-209-3	Pipe, Nipple (1/2 in. NPT x 2.50 in.)	1
42	X-211-3	Elbow, street (90 deg x 1/2 in. nptf)	1
43	X-215-2	Elbow, pipe (90 deg x 3/4 in. npt)	1
44	X-216-30	Coupling	1
45	X-256-3	Valve, drain (1/4 in. nptf)	1
46	X-431-25	Terminal, fast-on, female, 18-22 awg	1
47	X-431-29	Terminal, fast-on, male, 18-22 AWG	1
48	X-545-112	Cable, battery (No.2 x 16 in.) black-	1
49	X-545-137	Cable, battery (No.2 x 30 in.) red+	1
50	X-582-1	Connector, Hose 5/8 in. x 1/2 in. MIP Brass	2
51	X-582-8	Connector, hose + Vibra Seal	1
52	X-6210-5	Nut, flange whiz, 10-24	2

Group 105: Engine, continued

150 kW



6667_105_4

Group 105: Engine, continued

Item	Part Number	Description	Qty.
			Var. No. 10
1	GM66052	Tube, Exhaust	1
2	GM65751	Bracket, Support	1
3	324033	Clamp, battery	1
4	345039	Terminal, battery	1
5	X-545-137	Cable, battery (No.2 x 30 in.) red+	1
6	X-129-15	Bolt, Hex Cap	1
7	X-22-26	Washer, lock, .521 ID x 1.24 in. OD	1
8	X-545-112	Cable, battery (No.2 x 16 in.) black-	1
9	345056	Terminal, battery	1
10	290869	Bolt, Angle	2
11	X-101-16	Nut, hex elastic stop, 5/16-18	2
12	X-25-44	Washer, plain, .328 ID x .562 OD	2
13	GM57161	Rack, Battery	1
14	GM21188	Shield, Heat	1
15	GM21335	Shield, heat (20mm ID x 412mm length)	1
16	X-6210-5	Nut, flange whiz, 10-24	2
17	GM65728	Catalyst	1
18	GM66053	Gasket, Exhaust	2
19	GM65743	Bracket, Support	1
20	GM64376	Tube, Charge Cooler	1
21	GM62289-1	Engine Assy, Turbo CAC 8.1L 12V NG/LPG	1
22	X-22-14	Washer, lock, .391 ID x .975 in. OD	1
23	GM20577	Decal,Fuel Type	1
24	GM20708-2	Solenoid, Gas Group (includes items 35-39)	1
25	X-205-25	Pipe (1-1/2 in. npt x 14.25 in.)	1
26	X-202-47	Bushing, reducing (1/4 x 1/2 in. npt)	1
27	X-256-3	Valve, drain (1/4 in. nptf)	1
28	X-504-22	Fuel line, flexible (1.50 in. ID x 28.25 in.)	1
30	X-215-14	Elbow, pipe (90 deg x 1-1/4 in. npt)	1
31	153016	Bushing, reducing (1-1/4 x 1-1/2 in. npt)	1
35	151771	Elbow, pipe (90 deg x 1-1/2 in. npt)	1
36	GM23545	Bracket, Support	1
37	GM70498	Valve, gas	1
38	155040	Pipe (1-1/2 in. npt x 1.75 in.)	1
39	151771	Elbow, pipe (90 deg x 1-1/2 in. npt)	1
40	GM65752	Wrap, Catalyst	1

Group 107: Nameplate and Decals

25-60 kW

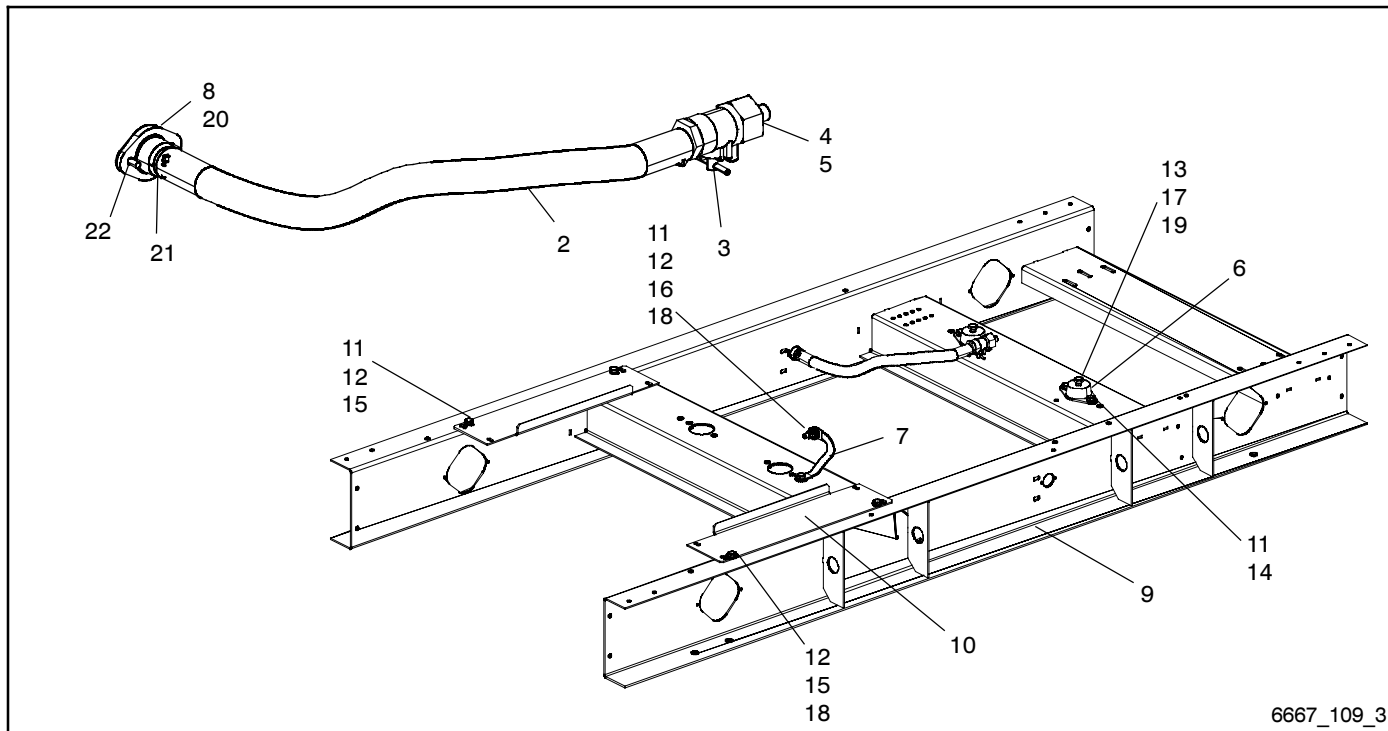
Item	Part Number	Description	Qty.
			Var. No.
1	238402	Decal, caution positive term.only	1
2	249808	Decal, warning rotating parts	1
3	249809	Decal, Caution Hot Engine	2
4	249810	Decal, warning hot coolant	1
5	273780	Decal, warning explosion	1
6	GM15300	Decal, Exhaust Piping	1
7	224233	Decal, 1-800 number	1
8	257438	Decal, danger moving rotor	3
9	257441	Decal, warning lifting eye	1
10	258815	Decal, warning voltage backfeed	1
11	327004	Nameplate, model/ratings, Kohler	1
12	GM13776	Decal, FRII Reconnection	1
13	GM39683	Tag, Hang	1
14	GM60531	Decal, Control Height	1
15	X-6232-6	Decal, stripe	3
16	X-6246-6	Decal, Kohler Power System	2

80-150 kW

Item	Part Number	Description	Qty.
			Var. No.
1	238402	Decal, caution positive term.only	1
2	249808	Decal, warning rotating parts	1
3	249809	Decal, Caution Hot Engine	2
4	249810	Decal, warning hot coolant	1
5	273780	Decal, warning explosion	1
6	GM15300	Decal, Exhaust Piping	1
7	224233	Decal, 1-800 number	1
8	257438	Decal, danger moving rotor	3
9	257441	Decal, warning lifting eye	1
10	258815	Decal, warning voltage backfeed	1
11	327004	Nameplate, model/ratings, Kohler	1
12	GM13776	Decal, FRII Reconnection	1
13	GM39683	Tag, Hang	1
14	GM60531	Decal, Control Height	1
15	X-6232-6	Decal, stripe	3
16	X-6246-1	Decal, Kohler Power System	2

Group 109: Skid and Plant Mounting

25/30 kW

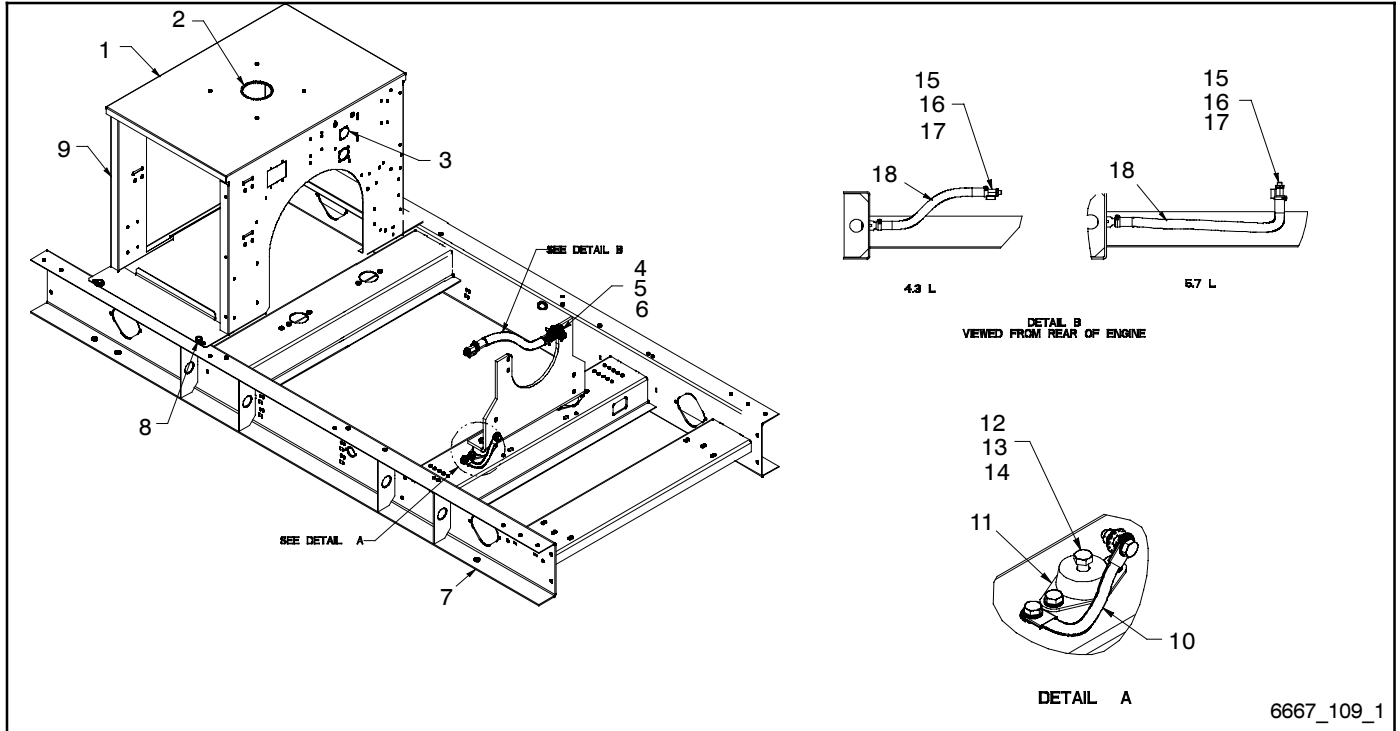


6667_109_3

Item	Part Number	Description	Quantity	
			GM69420-MA1	GM69422-MA1
2	X-577-34	Hose, rubber, straight, .62 in. ID	1	1
3	272701	Valve, oil drain (1/2-14 nptf)	1	1
4	276273	Adapter, bushing	1	1
5	276278	Washer, nylon, .511 ID x .906 in. OD	1	1
6	276476	Vibromount	2	2
7	290418	Strap, ground (8 in.)	1	1
8	GM59015	Fitting, bulkhead drain	1	1
9	GM65723	Skid	1	
9	GM65763	Skid, 41 in.		1
10	GM65811	Support, junction box		2
11	M125A-10-80	Washer, Plain 10.5 ID x 20.0 OD	7	13
12	M6923-10-80	Nut, Hex 10mm	1	5
13	M931-12065-60	Screw, hex cap	2	2
14	M933-10020-60	Screw, hex cap	5	5
15	M933-10025-60	Screw, hex cap, fully thrd M10 x 25mm		4
16	M933-10035-60	Screw, hex cap	1	1
17	M982-12-80	Nut, hex elastic stop	2	2
18	X-22-15	Washer, lock, .456 ID x 1.058 in. OD	3	5
19	X-25-140	Washer, plain, .531 ID x 2 in. OD	2	2
20	X-75-58	Plug, pipe	1	1
21	X-426-10	Clamp, hose, .5/1 in.	2	2
22	X-781-15	Rivet, pop, .187 in.	2	2

Group 109: Skid and Plant Mounting, continued

40-60 kW

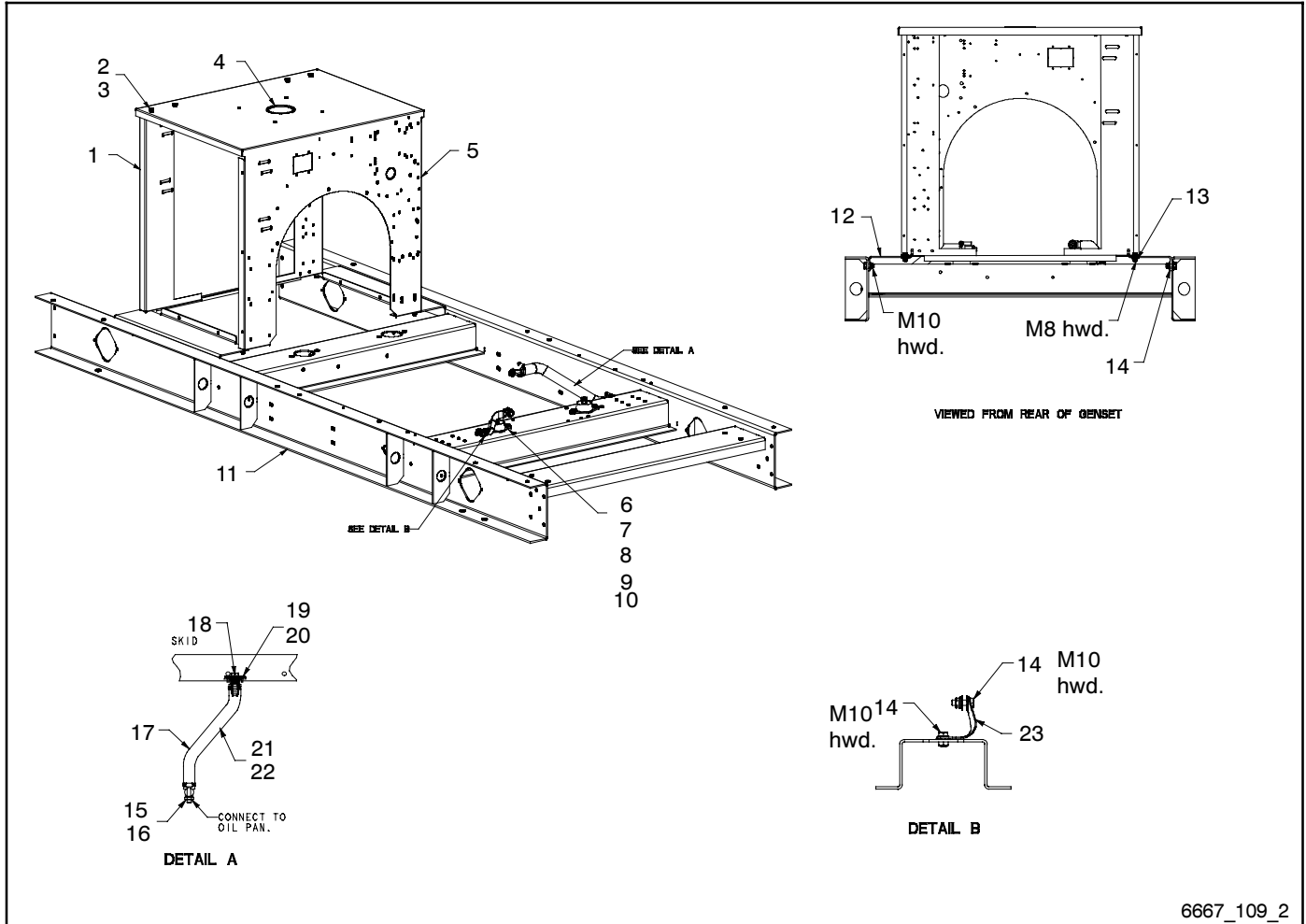


Group 109: Skid and Plant Mounting

Item	Part Number	Description	Quantity												
			Module												
			GM66095-MA1	GM66095-MA2	GM66096-MA1	GM66096-MA2	GM66916-MA1	GM66917-MA1	GM71692-MA1	GM71692-MA2	GM71693-MA1	GM71693-MA2	GM71694-MA1	GM71695-MA1	
1	GM60788-KCB	Panel, Junction Box (Front)	1	1	1	1									
1	GM62774-KCB	Panel, Junction Box (Front)					1	1							
1	-	See Control and Harness Group							1	1	1	1	1	1	1
2	X-6033-15	Grommet	1	1	1	1	1	1							
2	-	See Control and Harness Group							1	1	1	1	1	1	1
3	X-301-35	Button, Plug	1	1	1	1	1	1							
3	-	See Control and Harness Group							1	1	1	1	1	1	1
4	GM59015	Fitting, Bulkhead Drain	1	1	1	1	1	1	1	1	1	1	1	1	1
5	X-781-15	Rivet, pop, .187 in.	2	2	2	2	2	2	2	2	2	2	2	2	2
6	X-75-58	Plug, Pipe	1	1	1	1	1	1	1	1	1	1	1	1	1
7	GM65723	Skid, 34 in.	1						1						
7	GM65779	Skid, 34 in.		1						1					
7	GM65780	Skid, 34 in.					1							1	
7	GM65763	Skid, 41 in.			1						1				
7	GM65781	Skid, 41 in.				1						1			
7	GM65782	Skid, 41 in.						1							1
8	GM65811	Support, Junction Box			2	2					2	2			
8	GM65810	Support, Junction Box						2							2
9	GM17418	Panel, Junction Box (Rear)	1	1	1	1									
9	GM17624	Panel, Junction Box (Rear)					1	1							
9	-	See Control and Harness Group							1	1	1	1	1	1	1
10	290418	Strap, ground (8 in.)	1	1	1	1	1	1	1	1	1	1	1	1	1
11	276476	Vibromount	2		2				2		2				
11	324073	Vibromount		2						2					
12	M931-12065-60	Screw, hex cap	2	2	2	2	2	2	2	2	2	2	2	2	2
13	X-25-140	Washer, plain, .531 ID x2 in. OD	2	2	2	2	2	2	2	2	2	2	2	2	2
14	M982-12-80	Nut, hex elastic stop	2	2	2	2	2	2	2	2	2	2	2	2	2
15	GM19299	Valve, oil drain (M12 x 1.75)	1	1	1	1	1	1	1	1	1	1	1	1	1
16	X-6278-9	Washer, nylon, .48 ID x .825 in. OD	1	1	1	1	1	1	1	1	1	1	1	1	1
17	X-426-10	Clamp, hose, .5/1 in.	2	2	2	2	2	2	2	2	2	2	2	2	2
18	X-577-5	Hose, rubber, straight, .62 in. ID (1.17 ft.)	1		1				1		1				
18	X-577-24	Hose, rubber, straight, .62 in. ID (1.75 ft.)		1		1	1	1		1		1	1	1	1

Group 109: Skid and Plant Mounting, continued

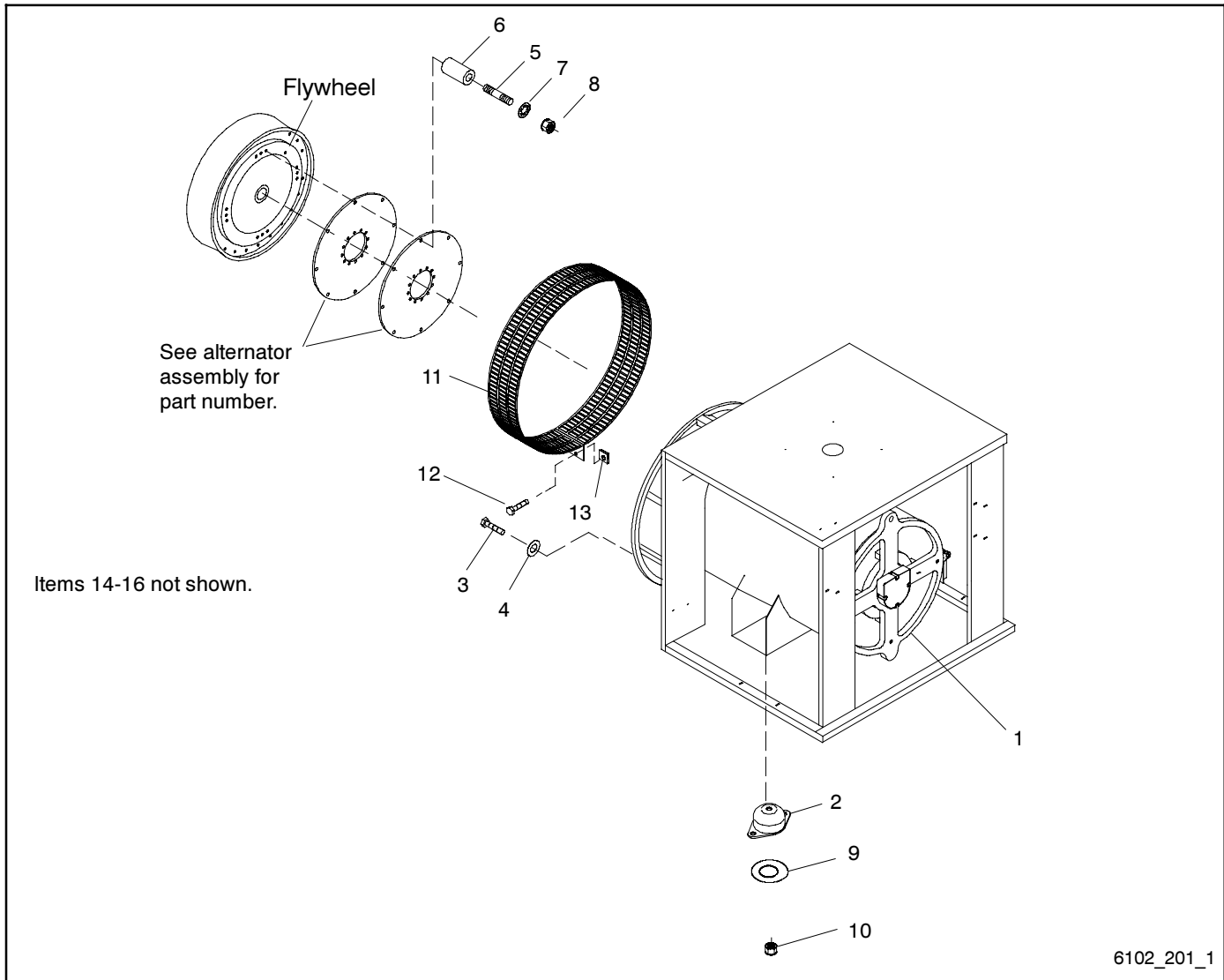
80-150 kW



Group 109: Skid and Plant Mounting, continued

Item	Part Number	Description	Quantity									
			Module									
			GM64062-MA1	GM64062-MA2	GM64062-MA3	GM65366-MA1	GM65366-MA2	GM71684-MA1	GM71684-MA2	GM71684-MA3	GM71656-MA1	GM71656-MA2
1	GM17624	Panel, Junction Box (Rear)	1	1	1	1	1					
1	-	See Control and Harness Group						1	1	1	1	1
2	X-6210-2	Nut, flange spirallock, 1/4-20	4	4	4	4	4					
2	-	See Control and Harness Group						4	4	4	4	4
3	X-25-40	Washer, plain, .281 ID x .625 in. OD	4	4	4	4	4					
3	-	See Control and Harness Group						4	4	4	4	4
4	X-6033-15	Grommet	1	1	1	1	1					
4	-	See Control and Harness Group						4	4	4	4	4
5	GM62774-KCB	Panel, Junction Box (Front)	1	1	1	1	1					
5	-	See Control and Harness Group						4	4	4	4	4
6	324073	Vibromount	2	2	2	2	2	2	2	2	2	2
7	M933-10020-60	Screw, hex cap	5	5	5	4	4	4	4	4	4	4
8	M931-12065-60	Screw, hex cap	2	2	2	2	2	2	2	2	2	2
9	M982-12-80	Nut, hex elastic stop	2	2	2	2	2	2	2	2	2	2
10	X-25-140	Washer, plain, .531 ID x2 in. OD	2	2	2	2	2	2	2	2	2	2
11	GM64063	Skid	1					1				
11	GM65342	Skid		1					1			
11	GM66560	Skid			1					1		
11	GM65377	Skid				1					1	
11	GM67060	Skid					1					1
12	GM64117	Support, Junction Box	2	2	2			2	2	2		
13	X-22-16	Washer, lock, .326 ID x .883 in. OD	4	4	4	4	4					
13	-	See Control and Harness Group						4	4	4	4	4
14	X-22-15	Washer, lock, .456 ID x 1.058 in. OD	5	5	5	3	3	5	5	5	3	3
15	GM19299	Valve, oil drain (M12 x 1.75)	1	1	1	1	1	1	1	1	1	1
16	X-6278-9	Washer, nylon, .48 ID x .825 in. OD	1	1	1	1	1	1	1	1	1	1
17	GM10669	Shield, heat (32mm ID x 305mm length)	1	1	1	1	1	1	1	1	1	1
18	X-75-58	Plug, Pipe	1	1	1	1	1	1	1	1	1	1
19	GM59015	Fitting, Bulkhead Drain	1	1	1	1	1	1	1	1	1	1
20	X-781-15	Rivet, pop, .187 in.	2	2	2	2	2	2	2	2	2	2
21	X-577-5	Hose, rubber, straight, .62 in. ID	1	1	1	1	1	1	1	1	1	1
22	X-426-10	Clamp, hose, .5/1 in.	2	2	2	2	2	2	2	2	2	2
23	290418	Strap, ground (8 in.)	2	2	2	2	2	2	2	2	2	2

Group 201: Generator and Mounting



Item	Part Number	Description	Qty.
1	See chart	Alternator assembly	1
2	See chart	Vibromount	2
3	270956	Screw, 3/8-16 x 1 1/4, (4P, 4Q alternator)	6
3	270158	Bolt, hex cap (4S, 4V alternator)	6
4	X-801-3	Washer, hardened, 0.406 ID x 0.812 OD	6
5	X-352-63	Stud, 3/8-16 x 4 in.	8
6	X-400-132	Spacer, 0.406 ID x 0.625 OD x 2.531 in.	8
7	X-801-3	Washer, hardened, 0.406 ID x 0.812 OD	8
8	X-6210-9	Nut, flange spirallock, 3/8-16	8
9	X-25-140	Washer, plain, 0.531 ID x 2 in. OD	2
9	X-25-112*	Washer, plain	2
10	M982-12-80	Nut, hex elastic stop	2
10	M982-16-80*	Nut, hex elastic stop	2
11	257046	Guard, generator fan	1
11	257179	Guard, generator fan (4S and 4V alt)	1
12	X-67-125	Screw, hex washer, thread-forming	2
13	257442	Clip, speed	2
14	X-750-14	Marker, wire L1 (not shown)	1
15	X-750-15	Marker, wire L2 (not shown)	1
16	X-750-16	Marker, wire L3 (not shown)	1

Alternator assembly includes items 1-32 on following page.

* Select this part number for modules using SAE 11 1/2 in. flywheel.

Group 201: Generator and Mounting

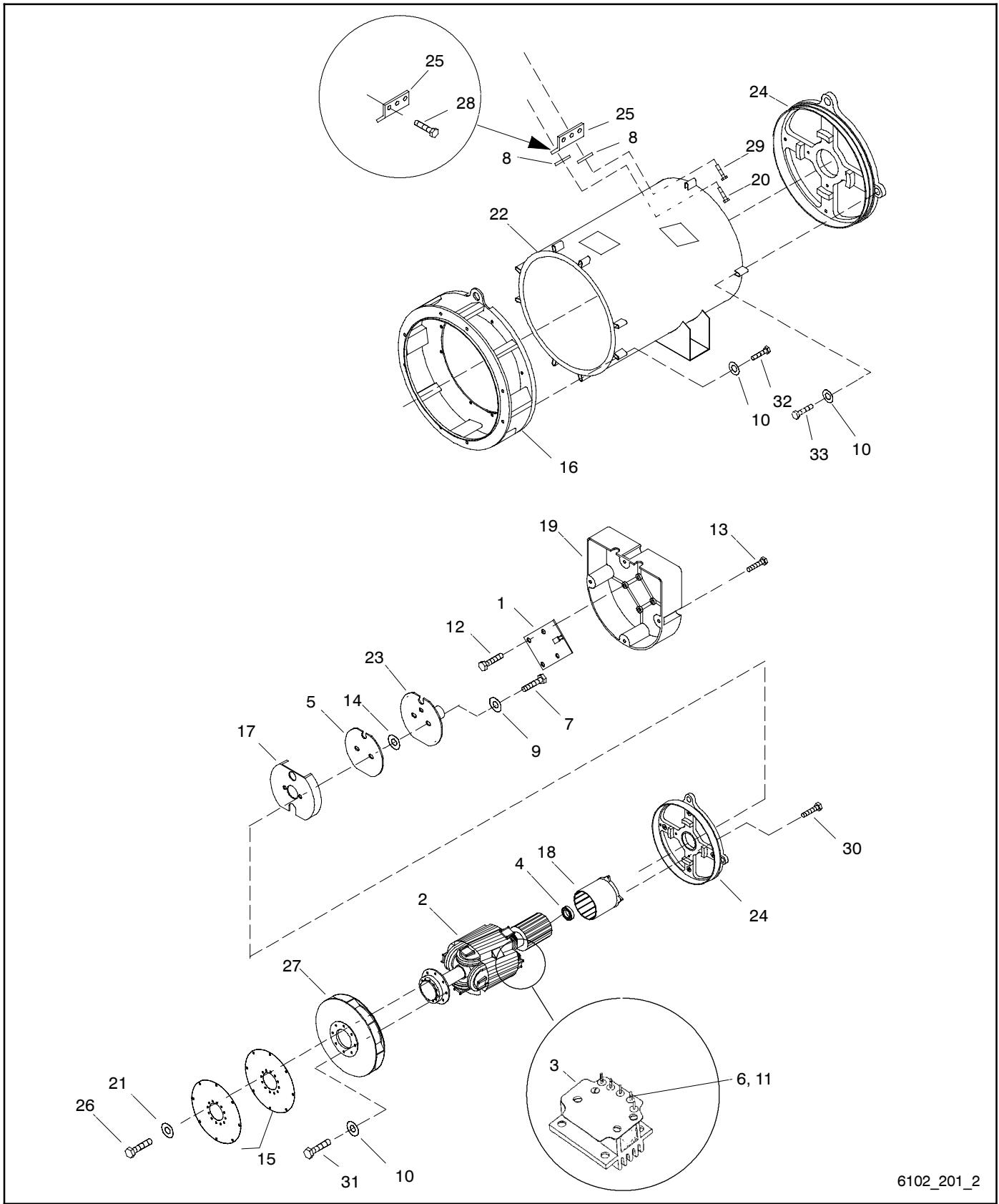
Alternator Part Number and Mount Type

Use this table to identify the module number's alternator part number and vibromount part number.

Module No.	Alternator Description	Item 1, Alternator Assembly	Item 2, Vibromount
GM17701-MA1	4P5	GCC-257719	324073
GM17701-MA2	4P5, 600 V	C-257726	324073
GM17701-MA3	4P5B	GC16880	324073
GM17701-MA4	4P5B, 600 V	GM16881	324073
GM17701-MA5	4P7B	GC16882	324074
GM17701-MA6	4P7B, 600 V	GM16883	324074
GM17701-MA7	4P8	GCC-257721	324074
GM17701-MA8	4P8, 600 V	C-257728	324074
GM17701-MA9	4P10	GCC-257739	324074
GM17701-MA10	4P10, 600 V	C-257729	324074
GM17701-MA11	4Q5	GCB-360736	324073
GM17701-MA12	4Q10	GCB-360739	324074
GM17701-MA36	4P4	GCC-257718	324073
GM17701-MA37	4P4, 600 V	C-257725	324073
GM17701-MA42	4P4, 600 V	GM58668-1	324073
GM17701-MA43	4P5, 600 V	GM58668-2	324073
GM17701-MA44	4P7B, 600 V	GC58668-3	324074
GM17701-MA45	4P4, 600 V	GC58668-3	324073
GM17701-MA46	4P8, 600 V	GC58668-5	324074
GM17701-MA47	4P10, 600 V	GC58668-6	324074
GM17701-MA48	4Q710	GCB-360737	324073
GM17701-MA49	4P7	GCC-257720	324073
GM17701-MA50	4P7, 600 V	GC58668-13	324073
GM17701-MA51	4Q4	GC58668-14	324073
GM17672-MA1	4S7	GC17563-1	324075
GM17672-MA2	4S7, 600 V	GM17563-4	324075
GM17672-MA3*	4S7	GC17563-13	336813
GM17672-MA4*	4S7, 600 V	GM17563-15	336813
GM17672-MA5*	4S9	GC17563-14	324391
GM17672-MA6*	4S9, 600 V	GM17563-16	324391
GM17672-MA7*	4S13	GC17563-11	336024
GM17672-MA8*	4S13, 600 V	GM17563-12	336024
GM17672-MA9	4V7	GC17563-26	324075
GM17672-MA10*	4V9	GC17563-24	324391
GM17672-MA11*	4V11	GC17563-23	336024
GM17672-MA12*	4S11	GC17563-21	336024
GM17672-MA13*	4S11, 600 V	GC17563-45	336024
GM17672-MA153*	4S15	GC17563-32	336024
GM17672-MA154*	4S15, 600 V	GM17563-33	336024
GM17672-MA168	4S7, 600 V	GC17563-40	324075
GM17672-MA169*	4S7, 600 V	GC17563-43	336813
GM17672-MA170*	4S9, 600 V	GC17563-44	324391
GM17672-MA171*	4S13, 600 V	GC17563-46	336024
GM17672-MA172*	4S11, 600 V	GC17563-45	336024
GM17672-MA173*	4S15, 600 V	GC17563-47	336024
GM17672-MA175	4V9	GM17563-27	324075

* Modules use SAE 11 1/2 in. flywheel.

Group 201: Generator and Mounting, continued

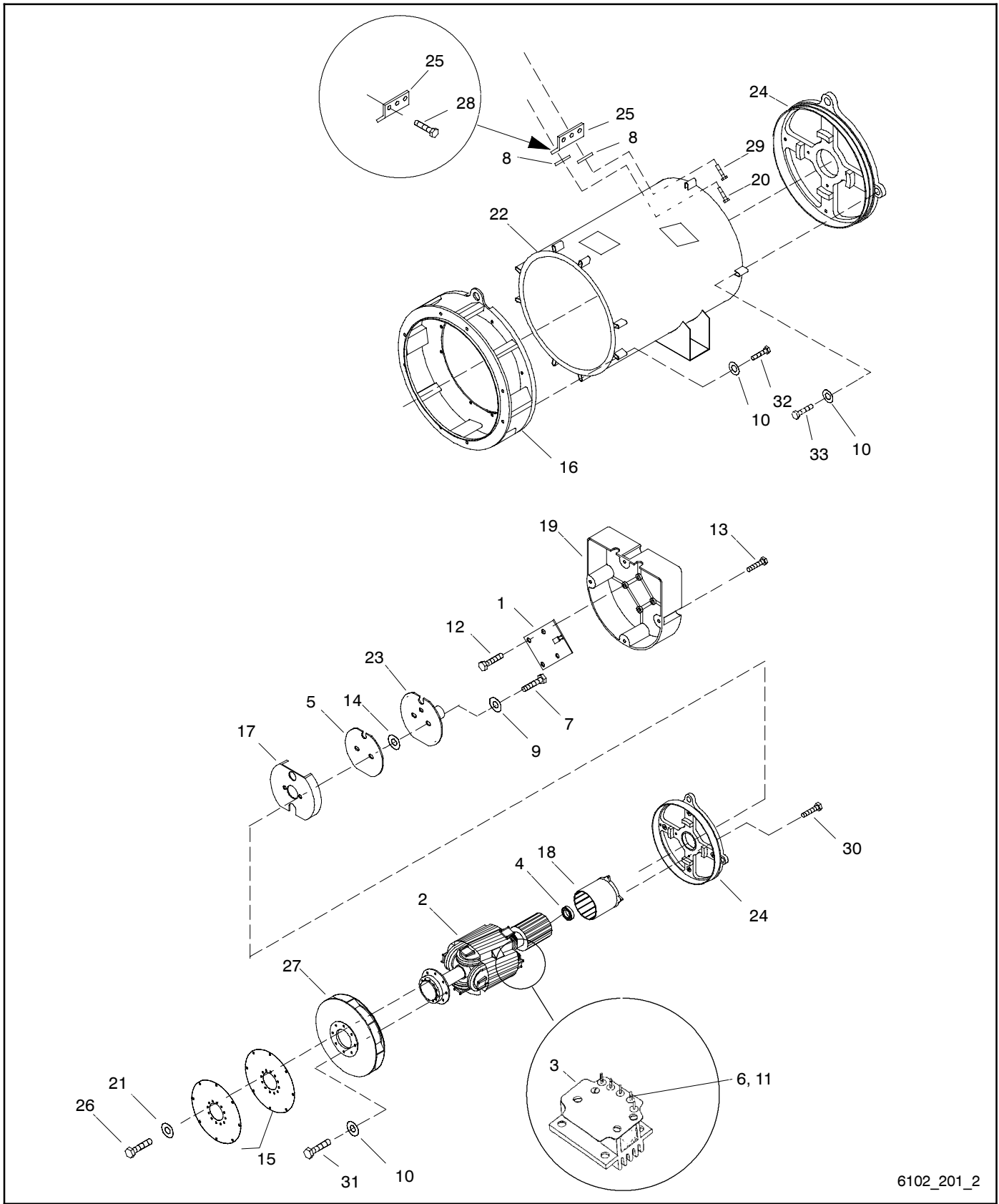


6102_201_2

Group 201: Generator and Mounting, continued

Item	Part No.	Description	Qty.
1	B-257099	PCB assembly, LED, FR11	1
2	See chart	Rotor assembly	1
3	B-258545	Heatsink (4P and 4Q alternators)	1
3	B-258549	Heatsink (4S and 4V alternators)	1
4	X-758-2	Bearing, ball (4P and 4Q alternators)	1
4	X-758-6	Bearing, ball (4S and 4V alternators)	1
5	GM34505	PCB assembly, photo receiver	1
6	X-101-24	Nut, hex elastic stop, 6-32	5
7	X-117-5	Screw, hex head machine	2
8	X-22-44	Washer, lock, 0.262 ID x 0.743 in. OD (4P and 4Q alt.)	2
8	X-22-45	Washer, lock, 0.338 ID x 0.884 in. OD (4S and 4 V alt.)	2
9	X-22-9	Washer, lock, 0.20 ID x 0.373 in. OD	2
10	X-25-93	Washer, plain, 0.406 ID x 0.75 in. OD	14
11	X-283-7	Terminal, ring, male, 22-16 AWG	4
12	X-6071-1	Screw, Phillips pan head	4
13	X-67-133	Screw, hex washer, thread-forming	3
14	243321	Washer, insulating, 0.195 ID x 0.5 in.	2
15	257015	Lamination, armature drive (4P and 4Q alternators)	2
15	257103	Lamination, armature drive (4S and 4V SAE 11 1/2 flywheel)	3
15	257102	Lamination, armature drive (4S and 4V SAE 10 in. flywheel)	3
16	257018	Adapter, generator (4P and 4Q alternators)	1
16	257175	Adapter, generator (4S and 4V alternators)	1
17	257077	Actuator, magnetic cup	1
18	See chart	Exciter field assembly	1
19	257258	Cover, FR LED circuit board	1
20	X-791-5	Screw, HHM (4P and 4Q alternators)	1
20	X-791-7	Screw, HHM (4S and 4V alternators)	1
21	X-801-3	Washer, hardened, 0.406 ID x 0.812 in.	8
21	X-801-3	Washer, hardened, 0.406 ID x 0.812 in.	12
22	See chart	Stator assembly	1
23	257850	Insulator	1
24	257984	End bracket (4P and 4Q alternators)	1
24	257983	End bracket (4S and 4V alternators)	1
25	257986	Lead connector (4P and 4Q alternators)	1
25	257985	Lead connector (4S and 4V alternators)	1
25	257978	Lead connector (4S and 4V alt., 1-phase)	1
26	270956	Screw, cylinder head, 3/8-16 x 1 1/4 (4P and 4Q alternators)	8
26	270956	Screw, cylinder head, 3/8-16 x 1 1/4 (4S and 4V alternators)	12
27	347697	Fan, alternator (4P and 4Q alternators)	1
27	257173	Fan, alternator (4S and 4V alternators)	1
28	X-125-24	Screw, HC (4S and 4V alternators)	3
28	X-6238-5	Screw, HC (4S and 4V alternators, 1-phase)	3
28	X-465-8	Screw, HC (4P and 4Q alternators)	3
29	X-456-16	Screw, HC (4S and 4V alternators)	1
29	X-125-31	Screw, HC (4P and 4Q alternators)	1
30	X-125-34	Screw, HC	4
31	X-6238-11	Screw, HC	4
32	X-6238-6	Screw, HC (4P and 4Q alternators)	6
32	X-6238-6	Screw, HC (4S and 4V alternators)	1
32	X-6238-9	Screw, HC (4S and 4V alternators)	5
33	273736	Screw, hex head machine, special thread (4P and 4Q alt.)	4
33	352415	Screw, hex head machine, special thread (4S and 4V alt.)	4

Group 201: Generator and Mounting, continued



6102_201_2

Group 201: Generator and Mounting, continued

Alternator Part Number and Mount Type

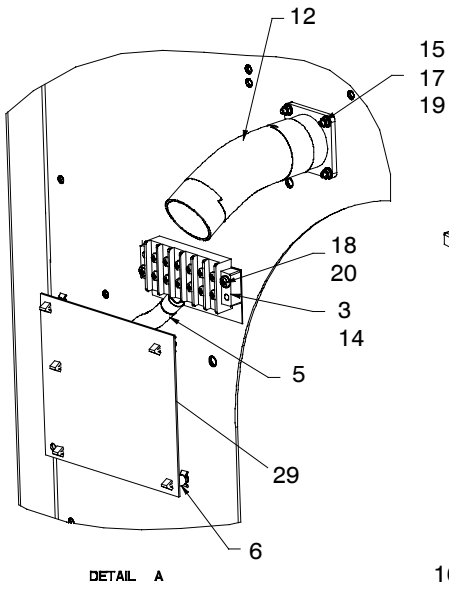
Use this table to identify the module number's alternator, rotor, and stator part numbers.

Module No.	Alternator Description	Assembly			
		Alternator	Item 2, Rotor	Item 22, Stator	Item 18, Exciter Field
GM17701-MA1	4P5	GCC-257719	GCA-258979	GC257766	GC257080
GM17701-MA2	4P5, 600V	C-257726	A-258979	257771	257080
GM17701-MA3	4P5B	GC16880	GCA-326938	GC360501	GC257080
GM17701-MA4	4P5B,600V	GM16881	A-326938	GM13681	257080
GM17701-MA5	4P7B	GC16882	GCA-336564	GC326728	GC257081
GM17701-MA6	4P7B,600V	GM16883	GCA-336564	GC13682	GC257081
GM17701-MA7	4P8	GCC-257721	GCA-258977	GC257768	GC257081
GM17701-MA8	4P8, 600V	C-257728	A-258977	257773	257081
GM17701-MA9	4P10	GCC-257739	GCA-258975	GC257769	GC257081
GM17701-MA10	4P10, 600V	C-257729	A-258975	257774	257081
GM17701-MA11	4Q5	GCB-360736	GCA-258979	GC360748	GC257080
GM17701-MA12	4Q10	GCB-360739	GCA-258975	GC360751	GC257081
GM17701-MA36	4P4	GCC-257718	GCA-258980	GC257765	GC257080
GM17701-MA37	4P4, 600V	C-257725	A-258980	257770	257080
GM17701-MA42	4P4, 600V	GM58668-1	A-258980	GM58667-1	257080
GM17701-MA43	4P5, 600V	GM58668-2	A-258979	GM58667-2	257080
GM17701-MA44	4P7B,600	GC58668-3	GCA-326938	GC58667-3	GC257080
GM17701-MA45	4P5, 600V	GC58668-3	GCA-326938	GC58667-3	GC257080
GM17701-MA46	4P8, 600V	GC58668-5	GCA-258977	GC58667-6	GC257081
GM17701-MA47	4P10,600V	GC58668-6	GCA-258975	GC58667-7	GC257081
GM17701-MA48	4Q10	GCB-360737	GCA-258978	GC360749	GC257081
GM17701-MA49	4P7	GCC-257720	GCA-258978	GC257767	GC257081
GM17701-MA50	4P7, 600V	GC58668-13	GCA-258978	GC58667-4	GC257081
GM17701-MA51	4Q4	GC58668-14	GCA-258980	GC360747	GC257080
GM17672-MA1	4S7	GC17563-1	GCA-276659	GC17559-1	GC276657
GM17672-MA2	4S7, 600V	GM17563-4	A-276659	GM17561-1	276657
GM17672-MA3*	4S7	GC17563-13	GCA-276664	GC17559-1	GC276657
GM17672-MA4*	4S7, 600V	GM17563-15	A-276664	GM17561-1	276657
GM17672-MA5*	4S9	GC17563-14	GCA-276665	GC17559-2	GC276657
GM17672-MA6*	4S9, 600V	GM17563-16	A-276665	GM17561-2	276657
GM17672-MA7*	4S13	GC17563-11	GCA-276666	GC17559-3	GC276657
GM17672-MA8*	4S13,600V	GM17563-12	A-276666	GM17561-3	276657
GM17672-MA9	4V7	GC17563-26	GCA-276659	GC17562-3	GC276657
GM17672-MA10*	4V9	GC17563-24	GCA-276665	GC17562-2	GC276657
GM17672-MA11*	4V11	GC17563-23	GCA-343443	GC17562-1	GC276657
GM17672-MA12*	4S11	GC17563-21	GCA-343443	GC17559-4	GC276657
GM17672-MA13*	4S11,600V	GC17563-45	GCA-343443	GC58669-3	GC276657
GM17672-MA153*	4S15	GC17563-32	GCA-364409	GC17560	GC276657
GM17672-MA154*	4S15,600V	GM17563-33	A-364409	GM17561-5	276657
GM17672-MA168	4S7,600V	GC17563-40	GCA-276659	GC58669-1	GC276657
GM17672-MA169*	4S7,600V	GC17563-43	GCA-276664	GC58669-1	GC276657
GM17672-MA170*	4S9,600V	GC17563-44	GCA-276665	GC58669-2	GC276657
GM17672-MA171*	4S13,600V	GC17563-46	GCA-276666	GC58669-4	GC276657
GM17672-MA172*	4S11,600V	GC17563-45	GCA-343443	GC58669-3	GC276657
GM17672-MA173*	4S15,600V	GC17563-47	GCA-364409	GC58669-5	GC276657
GM17672-MA175	4V9	GM17563-27	A-276660	GM17562-2	276657

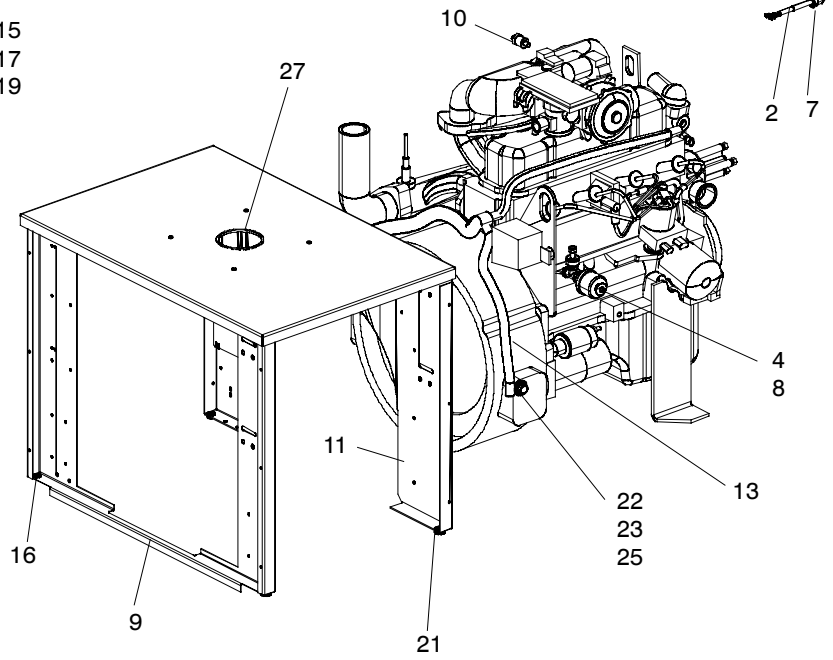
* Modules use SAE 11 1/2 in. flywheel.

Control and Harness

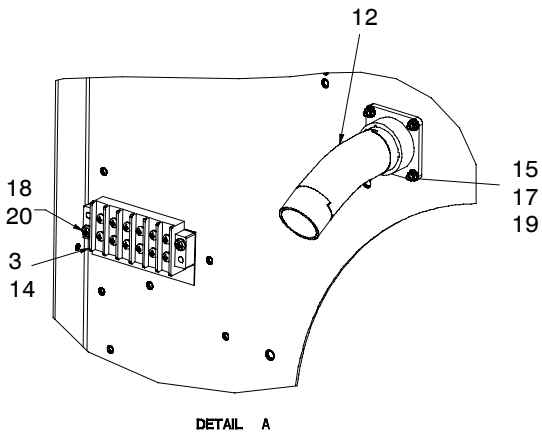
25/30 kW, Non-DEC 3000



Non-DEC 550 Controller



Items not shown: 24,26,28



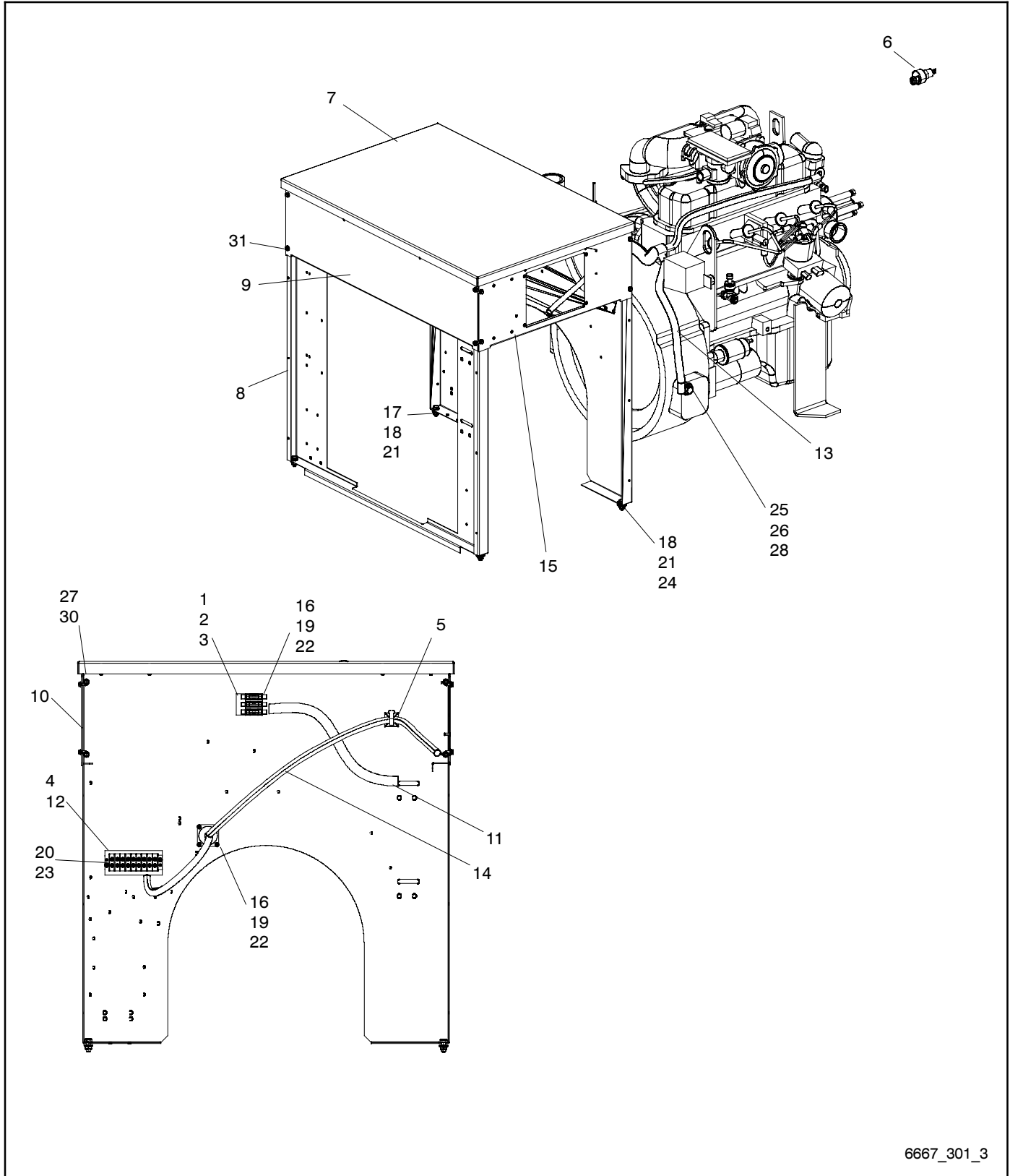
DEC 550 Controller

Control and Harness

Item	Part Number	Description	Quantity		
			Module Number		
			GM69424-MA1	GM69424-MA2	GM69425-MA1
2	X-6003-8	Conduit, convoluted	1	1	1
3	295313	Terminal block	2	2	1
4	343473	Sender, oil pressure	1	1	
5	354118	Harness, CT wiring FR11	1	1	
6	360459	Standoff, circuit board	5	5	
7	365289	Sensor, low fluid assembly	1	1	
8	A-106	Bushing, reducing (1/8 x 1/4 in. npt)	1	1	
9	GM17418	Panel, junction box (rear)	1	1	1
10	GM39458	Sender, temperature	1	1	
11	GM60788-KCB	Panel, junction box (front)	1	1	1
12	GM63940	Harness, J-Box GM 60-150 kw , DEC 3+	1	1	
12	GM63939	Harness, J-box GM 60-150 kw, DEC 550			1
13	GM63946	Harness, Engine GM 25-30 kw	1	1	
13	GM70941	Harness, engine GM 25-30 kw DEC 550			1
14	GM70413	Strip, marker	1	1	1
15	M125A-03-60	Washer, plain	4	4	4
16	M125A-08-80	Washer, plain 8.4 ID x 16.0 OD	4	4	4
17	M7985A-03012-20	Screw, pan head M3 x 12	4	4	4
18	M7985A-04020-20	Screw, pan head mach.	2	2	2
19	M934-03-50	Nut, Hex 3mm	4	4	4
20	M934-04-50	Nut, Hex 4mm	2	2	2
21	X-22-16	Washer, lock, .326 ID x .883 in. OD	4	4	4
22	X-22-26	Washer, lock, .521 ID x 1.24 in. OD	1	1	1
23	X-25-26	Washer, plain, .531 ID x 1.062 in. OD	1	1	1
24	X-25-40	Washer, plain, .281 ID x .625 in. OD	4	4	4
25	X-129-15	Bolt, hex cap	1	1	1
26	X-301-35	Button, plug	1	1	1
27	X-6033-15	Grommet	1	1	1
28	X-6210-2	Nut, flange spirallock, 1/4-20	4	4	4
29	C-255670	PCB assembly, FR11 voltage/Hz reg.	1		
29	A-354653	PCB assembly, V/Hz regulator, FR11		1	

Control and Harness, continued

25/30 kW, DEC 3000



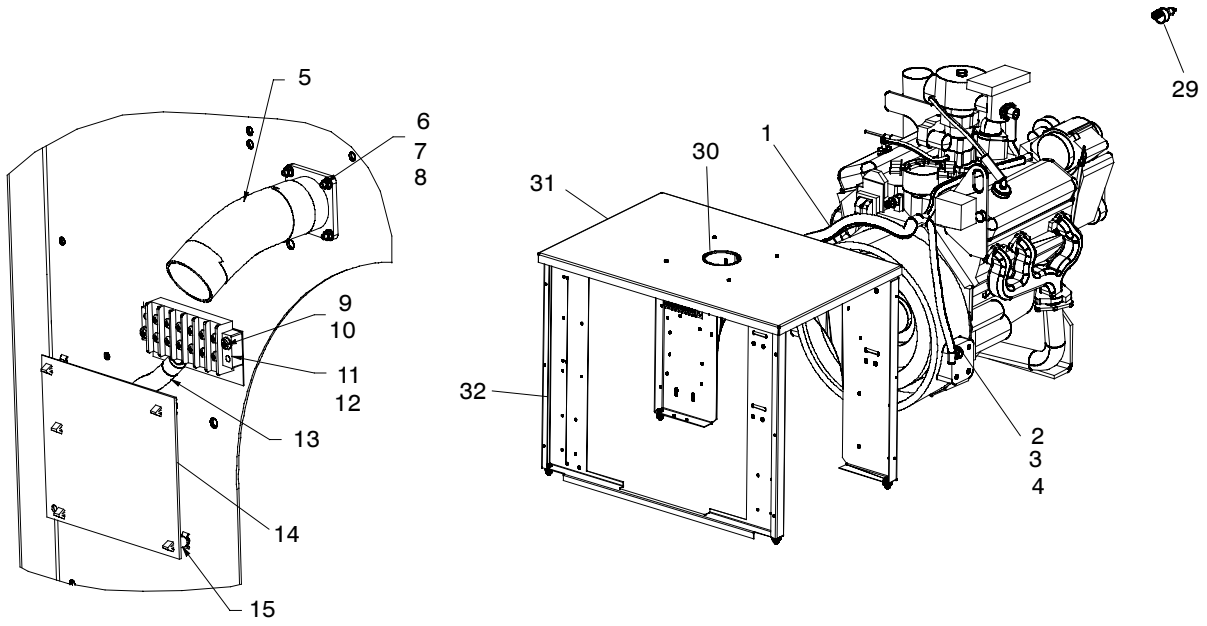
6667_301_3

Control and Harness, continued

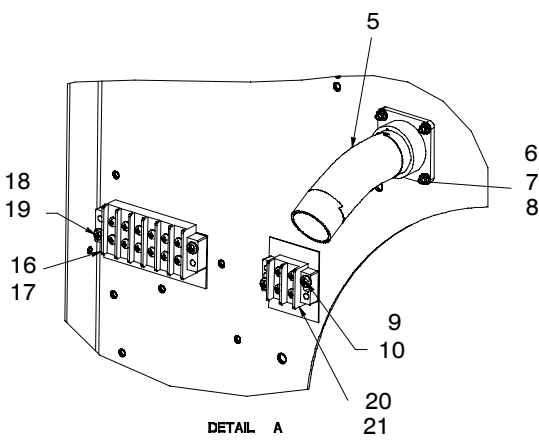
Item	Part Number	Description	Quantity
			ModuleNumber GM72450-MA1
1	225179	Strip, marker	1
2	291207	Fuse, 1.5 A, 250 V	3
3	292821	Fuse holder	1
4	295313	Terminal block	1
5	298776	Base, tie, wrap	1
6	GM66270	Sensor, low coolant level	1
7	GM69856-KCB	Panel, junction box (front) 4p	1
8	GM69972	Panel, junction box(rear) 4p	1
9	GM69977	Panel, J-box DEC 3000 4s,4p (rear)	1
10	GM69979	Panel, J-box DEC 3000 4p(left)	1
11	GM70319	Harness, A/C DEC 3000	1
12	GM70413	Strip, marker	1
13	GM70941	Harness, engine GM 25-30 kw	1
14	GM71673	Harness, J-box GM 25-150 kw, DEC 3000	1
15	GM71698	Panel, J-box DEC 3000 mnt 4p right	1
16	M125A-03-60	Washer, plain	6
17	M125A-08-80	Washer, plain 8.4 ID x 16.0 OD	2
18	M6923-08-80	Nut, Hex 8mm	4
19	M7985A-03012-20	Screw, pan head M3 x 12	6
20	M7985A-04020-20	Screw, pan head mach.	2
21	M933-08020-60	Screw, hex cap	4
22	M934-03-50	Nut, Hex 3mm	6
23	M934-04-50	Nut, Hex 4mm	2
24	X-22-16	Washer, lock, .326 ID x .883 in. OD	4
25	X-22-26	Washer, lock, .521 ID x 1.24 in. OD	1
26	X-25-26	Washer, plain, .531 ID x 1.062 in. OD	1
27	X-25-40	Washer, plain, .281 ID x .625 in. OD	4
28	X-129-15	Bolt, hex cap	1
29	X-468-1	Cable tie	1
30	X-6210-2	Nut, flange spiralock, 1/4-20	4
31	X-6216-1	Screw, Phillips hex crimp-tite	12

Control and Harness, continued

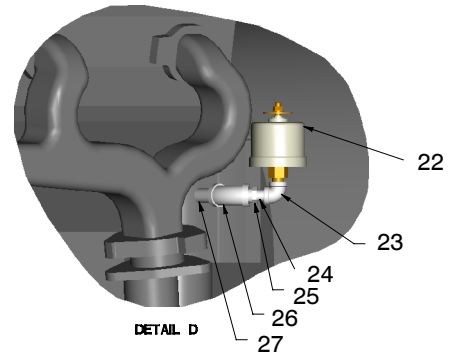
40-60 kW, Non-DEC 3000



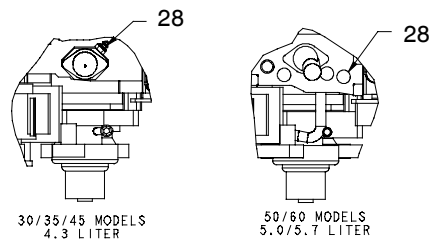
DETAIL A
Non-DEC 550 Controller



DETAIL A
DEC 550 Controller



DETAIL D



DETAIL C

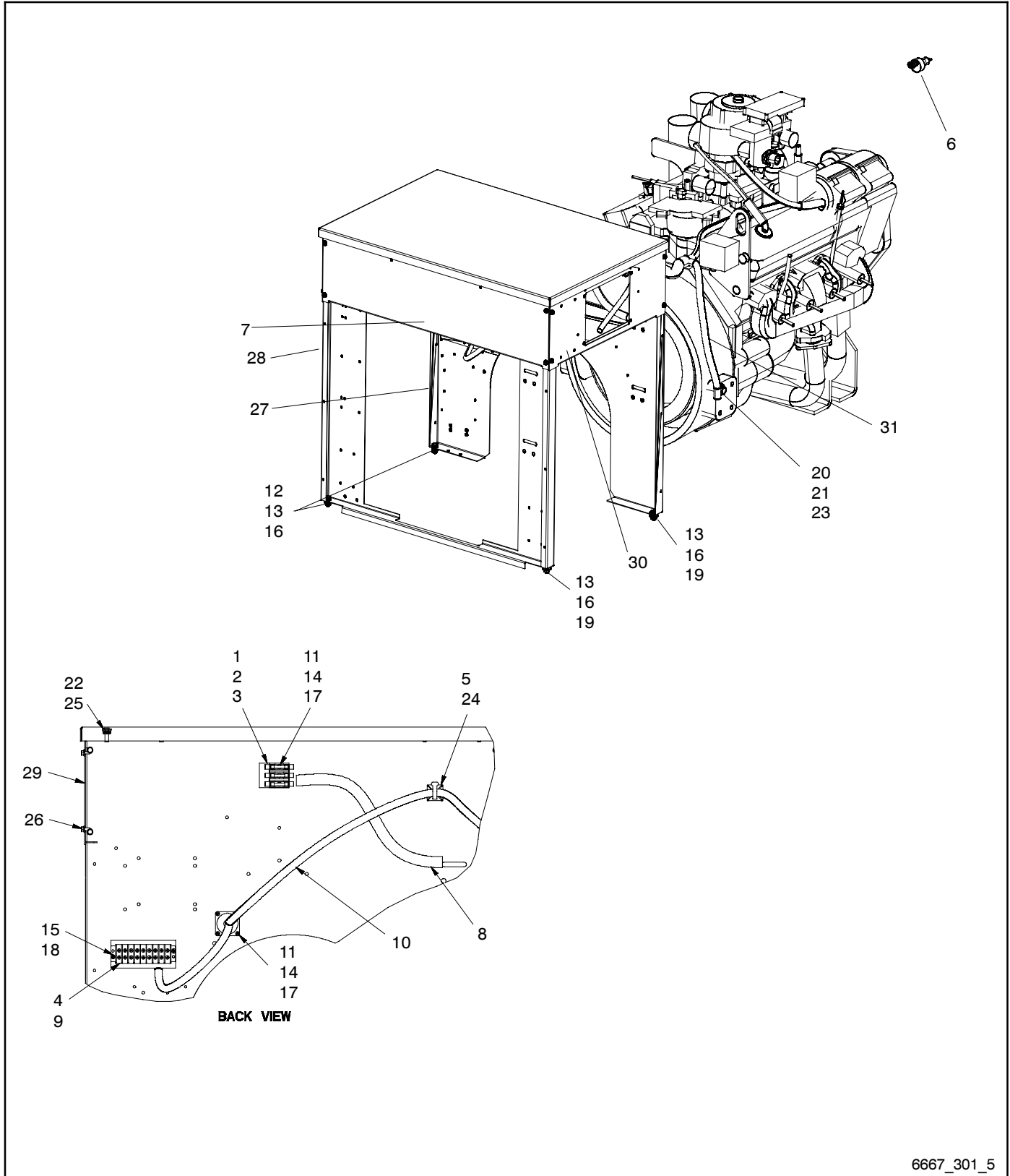
6667_301_1b

Control and Harness, continued

Item	Part Number	Description	Quantity								
			Module								
			GM66097-MA1	GM66097-MA2	GM66097-MA3	GM66097-MA4	GM66098-MA1	GM66098-MA2	GM71696-MA1	GM71696-MA2	GM71696-MA3
1	GM69776	Harness, Engine GM 35-60KW	1	1							
1	GM70542	Harness, Engine GM 50/60 kW			1	1		1			
1	GM63944	Harness, Engine GM 40 & 45 kW					1				
1	GM73884	Harness, Engine GM 50/60 kW							1	1	
1	GM73446	Harness, Engine GM 35-60 kW									1
2	X-129-15	Bolt, Hex Cap	1	1	1	1	1	1	1	1	1
3	X-22-26	Washer,lock, .521 ID x 1.24 in. OD	1	1	1	1	1	1	1	1	1
4	X-25-26	Washer, plain, .531 ID x 1.062 in. OD	1	1	1	1			1	1	1
5	GM63940	Harness, J-Box GM 60-150 kW , DEC 3+	1	1	1	1					
5	GM63939	Harness, J-Box GM 60-150 kW , DEC 550					1	1	1	1	1
6	M7985A-03012-20	Screw, pan head M3 x 12	4	4	4	4	4	4	4	4	4
7	M934-03-50	Nut, Hex 3mm	4	4	4	4	4	4	4	4	4
8	M125A-03-60	Washer, Plain	4	4	4	4	4	4	4	4	4
9	M7985A-04020-20	Screw, pan head mach.	2	2	2	2	2	2			
10	M934-04-50	Nut, Hex 4mm	2	2	2	2	2	2			
11	295314	Terminal block	1	1	1	1					
12	255080	Marker, strip	1	1	1	1					
13	354118	Harness, CT Wiring FRII	1	1	1	1					
14	C-255670	PCB assembly, FRII voltage/Hz reg.	1		1						
14	A-354653	PCB assembly, FRII voltage/Hz reg.		1		1					
15	360459	Standoff, circuit board	5	5	5	5					
16	M7985A-04020-20	Screw, pan head mach.					2	2	2	2	2
17	M934-04-50	Nut, Hex 4mm					2	2	2	2	2
18	295314	Terminal block					1	1			
18	295313	Terminal block							1	1	1
19	299090	Marker, strip					1	1			
19	GM70413	Marker, strip							1	1	1
20	254127	Marker, strip					1	1			
21	X-405-2	Terminal block					1	1			
22	343473	Sender, oil pressure	1	1	1	1					
23	X-215-19	Elbow, pipe (90 deg x 1/8 in. npt)	1	1	1	1					
24	X-217-6	Pipe (1/8 npt x .75 in.)	1	1	1	1					
25	X-202-27	Bushing, reducing (1/8 x 1/4 in. npt)	1	1	1	1					
26	X-225-17	Elbow, pipe (45 deg x 1/4 in. npt)	1	1	1	1					
27	X-220-6	Pipe (1/4 npt x 1.50 in.)	1	1	1	1					
28	GM39458	Sender, Temperature	1	1	1	1					
29	GM66270	Sensor, Low Coolant Level							1	1	1
29	-	See Group 104	1	1	1	1	1	1			
30	X-6033-15	Grommet							1	1	1
30	-	See Group 109	1	1	1	1	1	1			
31	GM60788-KCB	Panel, Junction Box (Front)							1		1
31	GM62774-KCB	Panel, Junction Box (Front)								1	
31	-	See Group 109	1	1	1	1	1	1			
32	GM17418	Panel, Junction Box (Rear)							1		1
32	GM17624	Panel, Junction Box (Rear)								1	
32	-	See Group 109	1	1	1	1	1	1			
33	X-301-35	Button, plug							1	1	1
33	-	See Group 109	1	1	1	1	1	1			

Control and Harness, continued

40-60 kW, DEC 3000



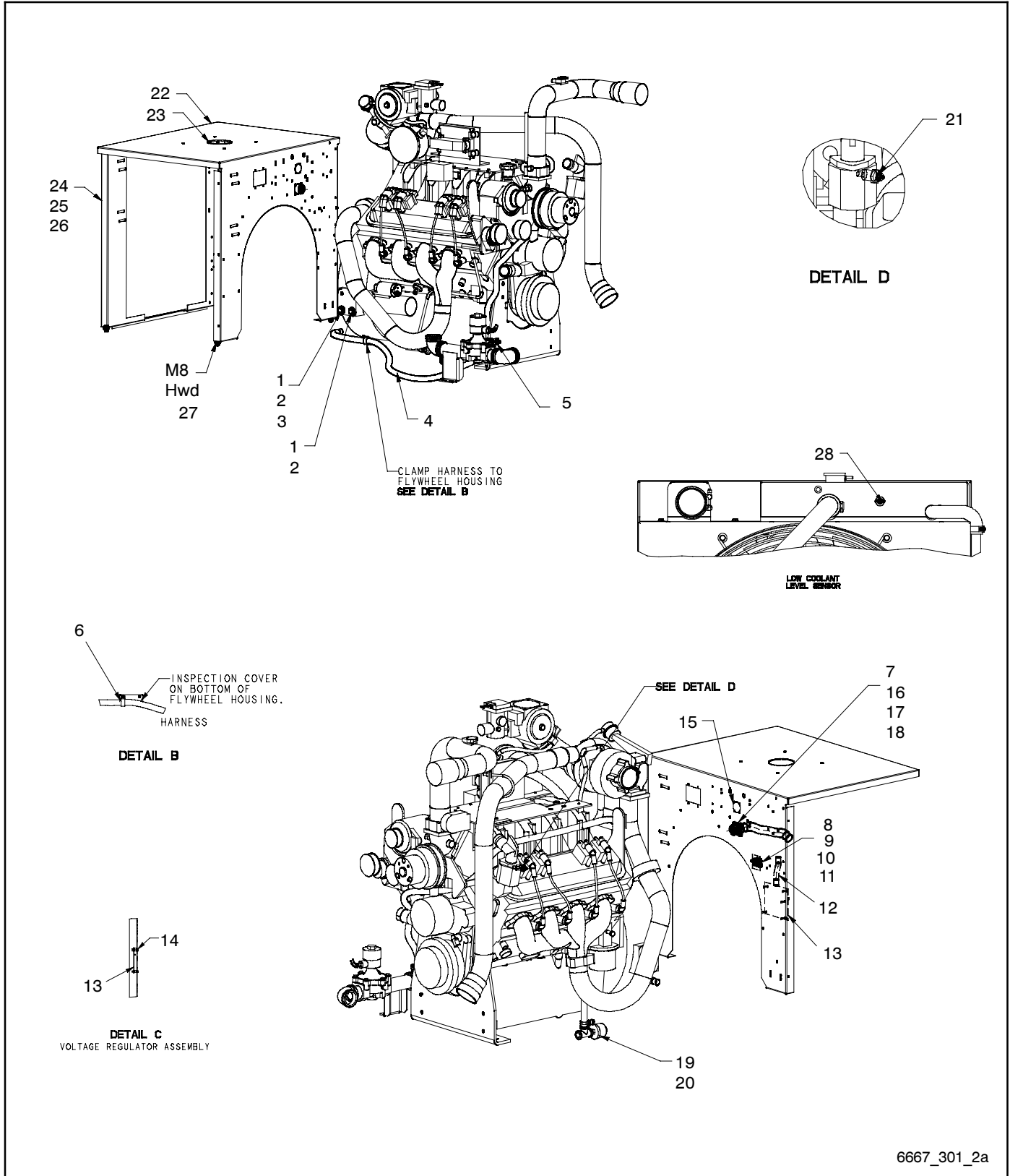
6667_301_5

Control and Harness, continued

Item	Part Number	Description	Quantity		
			GM71699-MA1	GM71699-MA2	GM71699-MA3
1	225179	Strip, marker	1	1	1
2	291207	Fuse, 1.5 A, 250 V	3	3	3
3	292821	Fuse holder	1	1	1
4	295313	Terminal block	1	1	1
5	298776	Base, tie, wrap	1	1	1
6	GM66270	Sensor, Low Coolant Level	1	1	1
7	GM69977	Panel, J-Box DEC3000 4S,4P (Rear)	1	1	1
8	GM70319	Harness, A/C DEC 3000	1	1	1
9	GM70413	Strip, Marker	1	1	1
10	GM71673	Harness, J-Box GM 25-150KW, DEC 3000	1	1	1
11	M125A-03-60	Washer, Plain	6	6	6
12	M125A-08-80	Washer, Plain 8.4 ID x 16.0 OD	4	4	4
13	M6923-08-80	Nut, Hex 8mm	4	4	4
14	M7985A-03012-20	Screw, pan head M3X12	6	6	6
15	M7985A-04020-20	Screw, pan head mach.	2	2	2
16	M933-08020-60	Screw, hex cap	4	4	4
17	M934-03-50	Nut, Hex 3mm	6	6	6
18	M934-04-50	Nut, Hex 4mm	2	2	2
19	X-22-16	Washer, lock .326 IDx.883 in.OD	4	4	4
20	X-22-26	Washer,lock.521 IDx1.24 in.OD	1	1	1
21	X-25-26	Washer, plain, .531 IDx1.062 in.OD	1	1	1
22	X-25-40	Washer, plain, .281 ID x .625 in.OD	4	4	4
23	X-129-15	Bolt, Hex Cap	1	1	1
24	X-468-1	Cable Tie	1	1	1
25	X-6210-2	Nut, flange spirallock, 1/4-20	4	4	4
26	X-6216-1	Screw, Phillips hex crimplite	12	12	12
27	GM69856-KCB	Panel, Junction Box (Front) 4P	1		1
27	GM69970-KCB	Panel, Junction Box (Front) 4S		1	
28	GM69972	Panel, Junction Box (Rear) 4P	1		1
28	GM69971	Panel, Junction Box (Rear) 4S		1	
29	GM69979	Panel, J-Box DEC3000 4P(Left)	1		1
29	GM69981	Panel, J-Box DEC3000 4S(Left)		1	
30	GM71698	Panel, J-Box DEC300 MNT 4P Right	1		1
30	GM71663	Panel, J-Box DEC3000 Mtg 4S (RH)		1	
31	GM73884	Harness, Engine GM 50/60 kW DEC550/3000	1	1	
31	GM73446	Harness, Engine GM 35-60kW			1

Control and Harness, continued

80-150 kW, Non-DEC 3000

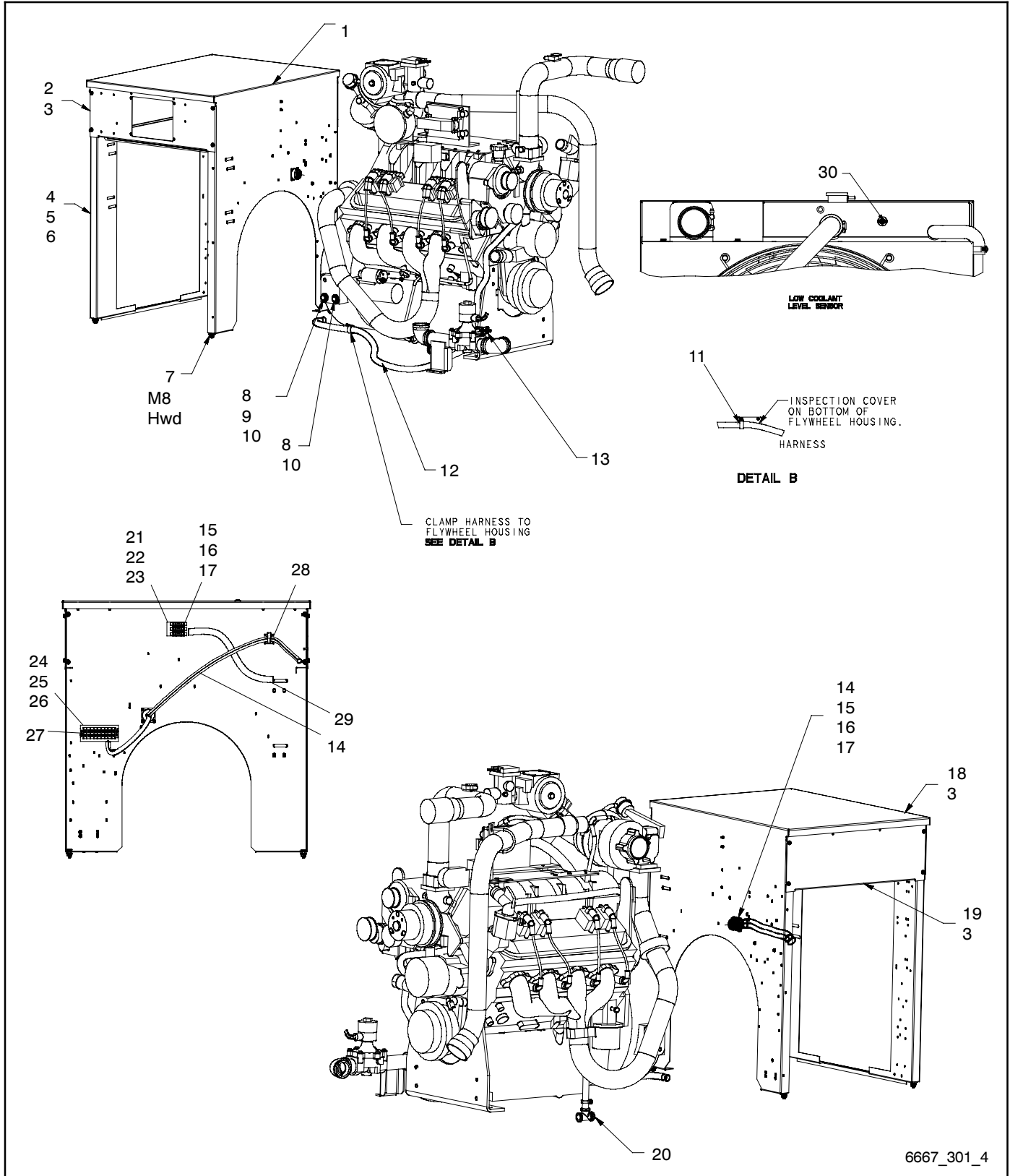


Control and Harness, continued

Item	Part Number	Description	Quantity			
			Module			
			GM64296-MA1	GM64296-MA2	GM64297-MA1	GM71654-MA1
1	X-129-15	Bolt, Hex Cap	2	2	2	2
2	X-22-26	Washer, lock, .521 ID x .24 in. OD	2	2	2	2
3	X-25-26	Washer, plain, .531 ID x .062 in. OD	1	1	1	1
4	GM70553	Harness, Engine GM 80-150 kW	1	1	1	
4	GM73447	Harness, Engine 80-150KW GM				1
5	X-672-3	Clamp, insulating	1	1	1	1
6	X-672-30	Clamp, insulated, 1.06 in.	1	1		1
7	GM63940	Harness, J-Box GM 60-150 kW , DEC 3+	1	1		
7	GM63939	Harness, J-Box GM 60-150 kW , DEC 550			1	1
8	295314	Terminal block	1	1		
8	X-405-2	Terminal block			1	
8	295313	Terminal block				1
9	255080	Marker, strip	1	1		
9	254127	Marker, strip			1	
9	GM70413	Marker, strip				1
10	M7985A-04020-20	Screw, pan head mach.	2	2	2	2
11	M934-04-50	Nut, Hex 4mm	2	2	2	2
12	354118	Harness, CT Wiring FRIL	1	1		
13	C-255670	PCB assembly, FRIL voltage/Hz reg.	1			
13	A-354653	PCB assembly, FRIL voltage/Hz reg.		1		
14	360459	Standoff, circuit board	5	5		
15	X-301-35	Plug, button	1	1	1	1
16	M7985A-03012-20	Screw, pan head mach.	4	4	4	4
17	M125A-03-60	Washer, Plain	4	4	4	4
18	M934-03-50	Nut, Hex,	4	4	4	4
19	343473	Sender, oil pressure	1	1		
20	X-202-29	Bushing, reducing (1/8 x 1/2" npt)	1	1		
20	X-75-3	Plug, pipe			1	1
21	GM39458	Sender, Temperature	1	1		
22	GM62774-KCB	Panel, Junction Box (Front)				1
22	-	See Skid and Mounting Group	1	1	1	
23	X-6033-15	Grommet				1
23	-	See Skid and Mounting Group	1	1	1	
24	GM17624	Panel, Junction Box (Rear)				1
24	-	See Skid and Mounting Group	1	1	1	
25	X-25-40	Washer, plain, .281 ID x .625 in.OD				4
25	-	See Skid and Mounting Group	4	4	4	
26	X-6210-2	Nut, flange spirallock, 1/4-20				4
26	-	See Skid and Mounting Group	4	4	4	
27	X-22-16	Washer, lock.326 IDx.883 in.OD				4
27	-	See Skid and Mounting Group	4	4	4	
28	-	See Cooling System Group	1	1	1	
28	GM66270	Sensor, Low Coolant Level				1

Control and Harness, continued

80-150 kW, DEC 3000



Control and Harness, continued

Item	Part Number	Description	Quantity
			ModuleNumber GM71655-MA1
1	GM69970-KCB	Panel, Junction Box (Front) 4S	1
2	GM71663	Panel, J-Box DEC 3000 Mtg 4S (RH)	1
3	X-6216-1	Screw, Phillips hex crimpite	12
4	GM69971	Panel, Junction Box (Rear) 4S	1
5	X-6210-2	Nut, flange spirallock, 1/4-20	4
6	X-25-40	Washer, plain, .281 ID x .625 in. OD	4
7	X-22-16	Washer, lock, .326 ID x .883 in. OD	4
8	X-22-26	Washer,lock, .521 ID x 1.24 in. OD	2
9	X-25-26	Washer, plain, .531 ID x 1.062 in. OD	1
10	X-129-15	Bolt, Hex Cap	2
11	X-672-30	Clamp, insulated, 1.06 in.	1
12	GM73447	Harness, Engine 80-150KW GM	1
13	X-672-3	Clamp, insulating	1
14	GM71673	Harness, J-Box GM 25-150KW, DEC 3000	1
15	M7985A-03012-20	Screw, pan head M3 x 12	4
16	M125A-03-60	Washer, Plain	4
17	M934-03-50	Nut, Hex 3mm	4
18	GM69977	Panel, J-Box DEC 3000 4S,4P (Rear)	1
19	GM69981	Panel, J-Box DEC 3000 4S (Left)	1
20	X-75-3	Plug, pipe (1/2" nptf)	1
21	225179	Strip, marker	1
22	292821	Fuse holder	1
23	291207	Fuse, 1.5 A, 250 V	3
24	295313	Terminal block	1
25	M7985A-04020-20	Screw, pan head mach.	2
26	M934-04-50	Nut, Hex 4mm	2
27	GM70413	Strip, Marker	1
28	298776	Base, tie, wrap	1
29	GM70319	Harness, A/C DEC 3000	1
30	GM66270	Sensor, Low Coolant Level	1

Group 701: Literature

Item	Part Number	Description	Quantity									
			Variation Number									
			364	370	371	372	373	388	389	431	432	
1	TP-5374	Warranty 1-Year Limited, Industrial	1	1	1	1	1	1	1	1	1	1
2	TP-5700	I/M 20-3250kW, Industrial	1	1	1	1	1	1	1	1	1	1
3	TP-6009	P/C DEC 550 Controllers, Industrial	1	1	1	1	1	1	1	1	1	1
3	PB-138	P/B DEC 3000 Controllers, Industrial	1	1	1	1	1	1	1	1	1	1
4	TP-6101	O/M Supplement, GM Engines	1	1	1	1	1	1	1	1	1	1
5	TP-6105	S/M GM 8.1L 80-100 kW	1						1	1		
5	TP-6104	S/M GM 5.0/5.7L 50-60 kW			1	1						
5	TP-6103	S/M GM 4.3L 30-45 kW		1				1				
6	TP-6732	P/C GM 8.1L Powertrain, 80-150 kW	1						1	1		
6	TP-6730	P/C GM 4.3L Powertrain, 30-45 kW		1				1				
6	TP-6731	P/C GM 5.0/5.7L Powertrain, 50/60 kW			1	1						
6	TP-6742	P/C GM 3.0L Powertrain, 25/30 kW									1	1
7	TP-6140	O/I/M Cntrlr Setup & Appl, DecMaker550	1	1	1	1	1	1	1	1	1	1
8	TP-6161	O/M 20-2250kW, Industrial	1	1	1	1	1	1	1	1	1	1
9	TP-6200	O/M 20-2000 kW, DecMaker550	1	1	1	1	1	1	1	1	1	1
9	TP-6694	O/M DEC 3000 Controller	1	1	1	1	1	1	1	1	1	1
10	TP-6215	S/M ECM 3.0/8.1L, 30/80-125kW, GM Engine	1						1	1		
10	TP-6724	S/M PSI/GM 1.6-8.1L Emission-Certified									1	1
11	TP-6712	W/D 40-150REZG/ERES	1	1	1	1	1	1	1	1	1	1
12	TP-6353	S/M Fast-Response II Alternator,20-400 kW	1	1	1	1	1	1	1	1	1	1
13	TP-6356	S/M Controllers, 20-2800 kW	1	1	1	1	1	1	1	1	1	1
14	TP-6667	P/C 25-150REZG, Industrial	1	1	1	1	1	1	1	1	1	1

Item	Part Number	Description	Quantity							
			Variation Number							
			399	400	401	402	403	404	405	
1	TP-5374	Warranty 1-Year Limited, Industrial	1	1	1	1	1	1	1	1
2	TP-5700	I/M 20-3250kW, Industrial	1	1	1	1	1	1	1	1
3	TP-6009	P/C DEC 550 Controllers, Industrial	1	1	1	1	1	1	1	1
3	PB-138	P/C DEC 3000 Controllers, Industrial	1	1	1	1	1	1	1	1
4	TP-6101	O/M Supplement, GM Engines	1	1	1	1	1	1	1	1
5	TP-6105	S/M GM 8.1L 80-100 kW					1	1	1	
5	TP-6104	S/M GM 5.0/5.7L 50-60 kW			1	1				
5	TP-6103	S/M GM 4.3L 30-45 kW	1	1						
6	TP-6732	P/C GM 8.1L Powertrain, 80-150 kW					1	1	1	
6	TP-6730	P/C GM 4.3L Powertrain, 30-45 kW	1	1						
6	TP-6731	P/C GM 5.0/5.7L Powertrain, 50/60 kW			1	1				
7	TP-6140	O/I/M Cntrlr Setup & Appl, DecMaker550	1	1	1	1	1	1	1	1
8	TP-6161	O/M 20-2250kW, Industrial	1	1	1	1	1	1	1	1
9	TP-6200	O/M 20-2000 kW, DecMaker550	1	1	1	1	1	1	1	1
9	TP-6694	O/M DEC 3000 Controller	1	1	1	1	1	1	1	1
10	TP-6215	S/M ECM 3.0/8.1L, 30/80-125kW, GM Engine					1	1	1	
11	TP-6712	W/D 40-150REZG/ERES	1	1	1	1	1	1	1	1
12	TP-6353	S/M Fast-Response II Alternator,20-400 kW	1	1	1	1	1	1	1	1
13	TP-6356	S/M Controllers, 20-2800 kW	1	1	1	1	1	1	1	1
14	TP-6667	P/C 40-150REZG, Industrial	1	1	1	1	1	1	1	1

Kit List

This section lists the part numbers of modules/kits not listed in the group parts lists. Refer to the generator set nameplate or the list below to identify the module/kit number installed on your generator set. See the sections following this page for the parts list of the module/kit.

	25/30 kW	40/45 kW	50/60 kW	80/100 kW	125 kW	150 kW
Controllers						
See Parts Catalog TP-6009 P/C Controllers, Industrial for parts lists.						
Cooling Systems						
Heater, block						
110-120 V	GM69426-KA1	GM66283-KA1	GM66283-KA1	GM64366-KA1	GM64366-KA1	GM64366-KA1
190-240 V	GM69426-KA2	GM66283-KA2	GM66283-KA2	GM64366-KA2	GM64366-KA2	GM64366-KA2
Duct Flange, radiator	GM13896-KA1	GM13896-KA1	GM13896-KA1	GM13896-KA1	GM13896-KA2	GM13896-KA5
Fuel Systems						
Fuel lines, flexible	GM13706-KP1	GM13706-KP1	GM13706-KP1	GM13706-KP3	GM13706-KP2	GM13706-KP2
Fuel lines, flexible, dual fuel	GM14272-KP1	GM14272-KP1	GM14272-KP1	—	—	—
Filter, natural gas	PA-343303	PA-343303	PA-343303	PA-343303	PA-343303	PA-343303
Additional gas solenoid valve						
Nat. gas	GM70624-KA1	GM70624-KA1	GM70040-KA1	GM70443-KA1	GM71195-KA1	GM71195-KA1
LP gas	GM70624-KA1	GM70624-KA1	GM70040-KA1	GM70443-KA1	GM71195-KA1	GM71195-KA1
Auto. dual fuel	GM70624-KA1	GM70624-KA1	GM70612-KA1	GM70928-KA1	GM70928-KA2	—
LP liquid	GM70626-KA1	GM70626-KA1	GM70639-KA1	—	—	—
Paint and Miscellaneous Parts						
Paint, Kohler Cream Beige	All models use 221338 spray can, 221337 gallon					

Cooling System Kits

Qty.	Description	Part No.
------	-------------	----------

Block Heater, 1800W, 110-120V

1	Tag, hang	279047
1	Shield, heat (32mm ID x 305mm length)	GM10669
1	Shield, heat (32mm ID x 152mm length)	GM17809
1	Heater, Block (120V, 1800 amp)	GM23005
1	Plug, block heater	GM23576
1	Block heater therm	GM25778
1	Shield, heat (32mm ID x 455mm length)	GM23718
1	Bracket, Block Heater Mtg.	GM64285
4	Washer, Plain	M125A-06-80
2	Washer, Plain 10.5 ID x 20.0 OD	M125A-10-80
4	Nut, Hex 6mm	M6923-06-80
2	Nut, Hex 10mm	M6923-10-80
4	Screw, hex cap	M933-06020-60
2	Screw, hex cap, fully thrd M10 x 25mm	M933-10025-60
2	Tee, pipe (1/2 x 1/2 x 1/2 npt)	X-203-13
2	Pipe (1/2 in. npt x 1.19 in.)	X-209-2
1	Pipe (1/2 in. npt x 12.00 in.)	X-209-26
2	Pipe, Nipple (1/2 in. NPT x 2.50 in.)	X-209-3
1	Elbow, pipe (90 deg x 1/2 in. npt)	X-215-1
1	Coupling, pipe (1/2 in. npsc)	X-216-20
1	Hose, .63 in. ID	X-312-34
1	Hose, .63 ID	X-312-51
4	Clamp, hose, .5/1 in.	X-426-10
1	Clamp, hose, .75/1.5 in.	X-426-15
2	Connector, Hose 5/8 in. x 1/2 in. MIP Brass	X-582-1

Block Heater, 2000W, 190-240V

Qty.	Description	Part No.
1	Tag, hang	279047
1	Shield, heat (32mm ID x 305mm length)	GM10669
1	Shield, heat (32mm ID x 152mm length)	GM17809
1	Heater, Block (240V, 2000 amp)	GM23006
1	Shield, heat (32mm ID x 455mm length)	GM23718
1	Bracket, Block Heater Mtg.	GM64285
4	Washer, Plain	M125A-06-80
2	Washer, Plain 10.5 ID x 20.0 OD	M125A-10-80
4	Nut, Hex 6mm	M6923-06-80
2	Nut, Hex 10mm	M6923-10-80
4	Screw, hex cap	M933-06020-60
2	Screw, hex cap, fully thrd M10 x 25mm	M933-10025-60
2	Tee, pipe (1/2 x 1/2 x 1/2 npt)	X-203-13
2	Pipe (1/2 in. npt x 1.19 in.)	X-209-2
1	Pipe (1/2 in. npt x 12.00 in.)	X-209-26
2	Pipe, Nipple (1/2 in. NPT x 2.50 in.)	X-209-3
1	Elbow, pipe (90 deg x 1/2 in. npt)	X-215-1
1	Coupling, pipe (1/2 in. npsc)	X-216-20
1	Hose, .63 in. ID	X-312-34
1	Hose, .63 ID	X-312-51
4	Clamp, hose, .5/1 in.	X-426-10
1	Clamp, hose, .75/1.5 in.	X-426-15
2	Connector, Hose 5/8 in. x 1/2 in. MIP Brass	X-582-1

Block Heater, 1500W, 110-120V

Qty.	Description	Part No.
1	Heater, block (120V, 1500 amp)	326228
1	Sensor, thermostat	224341
1	Thermostat, block heater	279813
1	Hose, molded (.62 in. ID)	276206
1	Tag, hang	279047
1	Shield, heat (32mm ID x 152mm length)	GM17809
1	Bracket, Block Heater Mtg.	GM64285
4	Washer, Plain	M125A-06-80
2	Washer, Plain 10.5 ID x 20.0 OD	M125A-10-80
4	Nut, Hex 6mm	M6923-06-80
2	Nut, Hex 10mm	M6923-10-80
4	Screw, hex cap	M933-06020-60
2	Screw, hex cap, fully thrd M10 x 25mm	M933-10025-60
1	Hose, .63 ID	X-312-35
4	Clamp, hose, .5/1 in.	X-426-10
2	Connector, Hose 5/8 in. x 1/2 in. MIP Brass	X-582-1

GM64366-KA1

Qty.	Description	Part No.
------	-------------	----------

Block Heater, 1500W, 190-240V

1	Heater, block (120V, 1500 amp)	326229
1	Hose, molded (.62 in. ID)	276206
1	Tag, hang	279047
1	Shield, heat (32mm ID x 152mm length)	GM17809
1	Bracket, Block Heater Mtg.	GM64285
4	Washer, Plain	M125A-06-80
2	Washer, Plain 10.5 ID x 20.0 OD	M125A-10-80
4	Nut, Hex 6mm	M6923-06-80
2	Nut, Hex 10mm	M6923-10-80
4	Screw, hex cap	M933-06020-60
2	Screw, hex cap, fully thrd M10 x 25mm	M933-10025-60
1	Hose, .63 ID	X-312-35
4	Clamp, hose, .5/1 in.	X-426-10
2	Connector, Hose 5/8 in. x 1/2 in. MIP Brass	X-582-1

GM66283-KA2

Block Heater, 1000W, 110-120V

1	Heater, block (120v, 1000amp)	GM31942
1	Tag, hang	279047
1	Bracket, block heater mtg.	GM64285
4	Washer, plain	M125A-06-80
2	Washer, Plain 10.5 ID x 20.0 OD	M125A-10-80
4	Nut, Hex 6mm	M6923-06-80
2	Nut, Hex 10mm	M6923-10-80
4	Screw, hex cap	M933-06020-60
2	Screw, hex cap, fully thrd M10 x 25mm	M933-10025-60
2	Hose, .63 in. ID	X-312-50
1	Hose, .63 in. ID	X-312-24
4	Clamp, hose, .5/1 in.	X-426-10
2	Cable tie	X-468-1
2	Connector, Hose 5/8 in. x 1/2 in. MIP Brass	X-582-1

GM69426-KA1

Block Heater, 1000W, 190-240V

1	Heater, block (240v, 1000amp)	GM31943
1	Tag, hang	279047
1	Bracket, block heater mtg.	GM64285
4	Washer, plain	M125A-06-80
2	Washer, Plain 10.5 ID x 20.0 OD	M125A-10-80
4	Nut, Hex 6mm	M6923-06-80
2	Nut, Hex 10mm	M6923-10-80
4	Screw, hex cap	M933-06020-60
2	Screw, hex cap, fully thrd M10 x 25mm	M933-10025-60
2	Hose, .63 in. ID	X-312-50
1	Hose, .63 in. ID	X-312-24
4	Clamp, hose, .5/1 in.	X-426-10
2	Cable tie	X-468-1
2	Connector, Hose 5/8 in. x 1/2 in. MIP Brass	X-582-1

GM69426-KA2

Duct Flange, Radiator

2	Frame, air duct	GM13897
2	Frame, air duct	GM13898
8	Rivet, pop, 0.187 in.	X-781-19
4	Screw, hex seal washer head, drill	X-794-4

GM13896-KA1

Duct Flange, Radiator

2	Frame, air duct	GM32061
2	Frame, air duct	GM31193
8	Rivet, pop, 0.187 in.	X-781-19
4	Screw, hex seal washer head, drill	X-794-4

GM13896-KA2

Duct Flange, Radiator

2	Frame, air duct	GM32061
2	Frame, air duct, vertical	GM50558
8	Rivet, pop, 0.187 in.	X-781-11

GM13896-KA5

Fuel System Kits

Qty.	Description	Part No.
Fuel Lines, Flexible		
1	Nipple, pipe, 1 x 1 1/2 in.	GM13706-KP1 X-218-24
1	Fuel line, flexible	X-504-21
Fuel Lines, Flexible		
1	Pipe, 1 1/2 in. NPT x 1.75 in.	GM13706-KP2 155040
1	Fuel line, flexible	X-504-22
Fuel Lines, Flexible		
1	Bushing, reducing, 1 x 1 1/2 in. NPT	GM13706-KP3 X-202-11
1	Pipe, 1 in. NPT x 1.50 in.	X-218-24
1	Fuel line, flexible, 1.5 in. ID x 28.25 in.	X-504-22
Fuel Lines, Flexible (Dual Fuel)		
2	Nipple, pipe, 1 x 1 1/2 in.	GM14272-KP1 X-218-24
2	Fuel line, flexible	X-504-21
Fuel Lines, Flexible (Dual Fuel)		
2	Pipe, 1 1/2 in NPT x 1.75 in.	GM14272-KP2 155040
2	Fuel line, flexible	X-504-22
Fuel Lines, Flexible (Dual Fuel)		
2	Bushing, reducing, 1 x 1 1/2 in. NPT	GM14272-KP3 X-202-11
2	Pipe, 1 in. NPT x 1.50 in.	X-218-24
2	Fuel line, flexible, 1.5 in. ID x 28.25 in.	X-504-22
Filter, Natural Gas		
1	Filter, gas	PA-343303 343302
1	Element, gas filter	343304
Conversion Kit, Natural Gas to LP		
1	Diaphragm assembly, LP	GM17010-KP1 GM17009
Conversion Kit, Natural Gas to LP		
1	Mixer, LP	GM17010-KP2 GM17382
1	Regulator, pressure	GM28970
1	Bushing, reducing, 1 x 1 1/2 in. NPT	X-202-11
1	Service Bulletin, Fuel Mix Adj, Oxygen Sensor	SB-634
1	Service Bulletin, NG to LP Conversion	SB-633
Conversion Kit, Natural Gas to LP		
1	Mixer	GM17010-KP3 GM28969
1	Regulator, pressure	GM28970
1	Bushing, reducing, 1 x 1 1/2 in. NPT	X-202-11
1	Service Bulletin, Fuel Mix Adj, Oxygen Sensor	SB-634
1	Service Bulletin, NG to LP Conversion	SB-633
Conversion Kit, Natural Gas to LP		
1	Mixer	GM17010-KP4 GM28966
1	Regulator, pressure	GM28970
1	Service Bulletin, Fuel Mix Adj, Oxygen Sensor	SB-634
1	Service Bulletin, NG to LP Conversion	SB-633
Kit, LP Gas to Dual Fuel		
1	Gasket, carburetor	GM24235 GM16150
1	Regulator, fuel, 3/4 in. NPT	GM16171
1	Bushing, 1 3/4 in.	GM16205
1	Pipe, closed nipple, 3/4 in.	GM16206
4	Screw, 10-24 x 5/8 SEMS	GM17388
1	Gasket, throttle body to mixer	GM17392
1	Pipe, nipple 3/4 x 3 in.	GM19736
1	Bracket, LS	GM24184
1	Fitting, tee 3/4 x 3/4 x 3/4	GM24185
1	U-bolt, 5/16 x 3/4 x 3	GM24186
1	Valve, line load	GM24187
2	Washer, lock	GM24188
2	Nut, 5/16-18	GM24189
2	Washer, flat 3/8 SAE	GM24190
Additional Gas Solenoid Valve		
1	Harness, gas solenoid valve	GM39203-KA1 GM39204
1	Valve assembly, gas	GM14318
1	Pipe, 3/4 in. NPT x 1.38 in.	X-206-9

Qty.	Description	Part No.
Additional Gas Solenoid Valve		
1	Harness, additional gas solenoid valve	GM39396-KA1 GM39397
1	Valve assembly, gas	GM14318
1	Pipe, 3/4 in. NPT x 1.38 in.	X-206-9
Additional Gas Solenoid Valve		
2	Valve assembly, gas	GM39396-KA2 GM14318
1	Harness, additional gas solenoid valve	GM39407
1	Harness, additional gas solenoid valve	GM39408
2	Pipe, 3/4 in. NPT x 1.38 in.	X-206-9
Additional Gas Solenoid Valve		
1	Harness, additional gas solenoid valve	GM39396-KA3 GM39397
1	Solenoid	GM63623
1	Pipe, 1/4 in. NPT x 2.50 in.	X-220-14
1	Elbow, male tube, 90° + vibra seal	X-447-1
1	Terminal, fast-on, female, 18-22 AWG	X-431-25
1	Terminal, fast-on, male, 18-22 AWG	X-431-29
Additional Gas Solenoid Valve		
1	Spacer, 0.406 ID x 0.625 OD x 0.297 in.	GM39530-KA1 X-400-75
1	Spacer, 0.406 ID x 0.625 OD x 0.375 in.	X-400-89
1	Bracket, fuel support	GM39531
1	Elbow, pipe, 45° x 1 in. NPT	X-225-9
1	Pipe, 1 in. NPT x 3.00 in.	X-218-22
1	Clamp, muffler	X-722-9
1	Elbow, pipe, 90° x 1 in. NPT	X-215-15
1	Pipe, 1 in. NPT x 2.00 in.	K-122
1	Bushing, reducing, 1 x 1 1/4 in. NPT	X-202-32
1	Valve assembly, gas	A-254469
1	Bushing, reducing, 3/4 x 1 1/4 in. NPT	X-202-18
1	Elbow, street, 90° x 1-1/4 in. NPTF	EH-2226
1	Harness, additional gas solenoid valve	GM39533
1	Pipe, 3/4 in. NPT x 2.50 in.	X-206-4
Additional Gas Solenoid Valve		
1	Spacer, 0.406 ID x 0.625 OD x 0.297 in.	GM39530-KA2 X-400-75
1	Spacer, 0.406 ID x 0.625 OD x 0.375 in.	X-400-89
1	Bracket, fuel support	GM39531
2	Elbow, pipe, 45° x 1 in. NPT	X-225-9
2	Pipe, 1 in. NPT x 3.00 in.	X-218-22
2	Clamp, muffler	X-722-9
4	Elbow, pipe, 90° x 1 in. NPT	X-215-15
4	Bushing, reducing, 1 x 1 1/4 in. NPT	X-202-32
2	Valve assembly, gas	A-254469
1	Bracket, fuel support	GM39532
5	Pipe, 1 in. NPT x 1.50 in.	X-218-24
1	Elbow, street, 45° x 1 in. NPT	X-274-10
1	Harness, additional gas solenoid valve	GM39534
1	Harness, additional gas solenoid valve	GM39535
1	Pipe, 1 in. NPT x 5.00 in.	X-218-30
Additional Gas Solenoid Valve		
1	Harness, additional gas solenoid valve	GM39530-KA3 GM39397
1	Solenoid	GM63623
1	Pipe, 1/4 in. NPT x 2.50 in.	X-220-14
1	Elbow, male tube, 90° + vibra seal	X-447-1
1	Terminal, fast-on, female, 18-22 AWG	X-431-25
1	Terminal, fast-on, male, 18-22 AWG	X-431-29
Additional Gas Solenoid Valve		
1	Harness, second solenoid valve	GM39788-KA1 GM37448
1	Bracket, fuel support	GM37446
1	Elbow, street, 90° x 1 1/4 in. NPTF	EH-2226
1	Valve assembly, gas	A-254469
1	Pipe, 1 1/4 in. NPT x 1.63 in.	X-210-8
1	Terminal, fast-on, female, 18-22 AWG	X-431-25
1	Terminal, fast-on, male, 18-22 AWG	X-431-29
1	Clamp, muffler, 2.12 in.	X-722-5

Fuel System Kits, continued

Qty.	Description	Part No.
Additional Gas Solenoid Valve		
1	Harness, gas solenoid valve	GM39789
1	Bracket, fuel support	GM37446
2	Elbow, street, 90° x 1 1/4 in. NPTF	EH-2226
1	Valve assembly, gas	A-254469
1	Pipe, 1 1/4 in. NPT x 1.63 in.	X-210-8
1	Terminal, fast-on, female, 18-22 AWG	X-431-25
1	Terminal, fast-on, male, 18-22 AWG	X-431-29
1	Clamp, muffler, 2.12 in.	X-722-5
Additional Gas Solenoid Valve		
1	Harness, gas solenoid valve	GM39790
1	Solenoid	GM63623
1	Pipe, 1/4 in. NPT x 2.50 in.	X-220-14
1	Terminal, fast-on, female, 18-22 AWG	X-431-25
1	Terminal, fast-on, male, 18-22 AWG	X-431-29
1	Elbow, male tube, 90° + vibra seal	X-447-1
Additional Gas Solenoid Valve		
1	Harness, second solenoid valve	GM37448
1	Bracket, fuel support	GM37446
4	Elbow, street, 90° x 1 1/4 in. NPTF	EH-2226
2	Valve assembly, gas	A-254469
2	Pipe, 1 1/4 in. NPT x 1.63 in.	X-210-8
2	Terminal, fast-on, female, 18-22 AWG	X-431-25
2	Terminal, fast-on, male, 18-22 AWG	X-431-29
1	Clamp, muffler, 2.12 in.	X-722-5
1	Harness, fuel LP	GM25009
1	Pipe, 1 in. NPT x 2.00 in.	K-122
1	Harness, gas solenoid valve	GM39790
Additional Gas Solenoid Valve		
1	Harness, second solenoid valve	GM37448
1	Valve, gas	GM23542
1	Pipe, 1 1/2 in. NPT x 1.75 in.	155040
1	Terminal, fast-on, female, 18-22 AWG	X-431-25
1	Terminal, fast-on, male, 18-22 AWG	X-431-29
Additional Gas Solenoid Valve		
1	Harness, gas solenoid valve	GM39789
1	Valve, gas	GM23542
1	Pipe, 1 1/2 in. NPT x 1.75 in.	155040
1	Terminal, fast-on, female, 18-22 AWG	X-431-25
1	Terminal, fast-on, male, 18-22 AWG	X-431-29
Additional Gas Solenoid Valve		
1	Harness, gas solenoid valve	GM39790
1	Solenoid	GM63623
1	Pipe, 1/4 in. NPT x 2.50 in.	X-220-14
1	Terminal, fast-on, female, 18-22 AWG	X-431-25
1	Terminal, fast-on, male, 18-22 AWG	X-431-29
1	Elbow, male tube, 90° + vibra seal	X-447-1
1	Elbow, street, 90° x 1/4 in. NPTF	X-555-1
Additional Gas Solenoid Valve		
1	Harness, second solenoid valve	GM37448
2	Valve, gas	GM23542
2	Pipe, 1 1/2 in. NPT x 1.75 in.	155040
2	Terminal, fast-on, female, 18-22 AWG	X-431-25
2	Terminal, fast-on, male, 18-22 AWG	X-431-29
1	Harness, gas solenoid valve	GM39790
1	Harness, fuel LP	GM25009
1	Nipple, pipe, 1 x 1 1/2 in.	X-218-24
1	Fuel line, flexible	X-504-21
Additional Gas Solenoid Valve		
1	Harness, additional gas solenoid valve	GM42559
1	Valve assembly, gas	GM42530
1	Pipe, 3/4 in. NPT x 1.38 in.	X-206-9

Qty.	Description	Part No.
Additional Gas Solenoid Valve		
1	Harness, additional gas solenoid valve	GM52262
1	Valve assembly, gas	GM42530
1	Pipe, 3/4 in. NPT x 1.38 in.	X-206-9
Additional Gas Solenoid Valve		
1	Harness, additional gas solenoid valve	GM42804
1	Harness, gas valve	GM45927
1	Valve assembly, gas	GM42530
1	Pipe, 3/4 in. NPT x 1.38 in.	X-206-9
Additional Gas Solenoid Valve		
1	Harness, additional gas solenoid valve	GM42805
1	Harness, additional gas solenoid valve	GM42806
1	Harness, gas valve	GM45927
1	Valve assembly, gas	GM42530
1	Pipe, 3/4 in. NPT x 1.38 in.	X-206-9
Additional Gas Solenoid Valve		
1	Valve, shutoff	GM71053
1	Pipe, 3/4 in. NPT x 1.38 in.	X-206-9
Additional Gas Solenoid Valve		
1	Solenoid, LP fuel	GM63623
1	Harness, extension LP liquid fuel	GM70626
1	Pipe, 1/4 in. NPT x 2.50 in.	X-220-14
1	Elbow, male tube, 90° + vibra seal	X-447-1
1	Terminal, fast-on, female, 18-22 AWG	X-431-25
1	Terminal, fast-on, male, 18-22 AWG	X-431-29
Additional Gas Solenoid Valve		
1	Pipe (1-1/2"npt x 2.50")	151803
1	Bracket, fuel support	GM39531
1	Valve, Gas Assy	GM70497
2	Elbow, pipe, 90° x 1 in. NPT	X-215-15
1	Pipe, 1 in. NPT x 1.50 in.	X-218-24
1	Pipe, 1 in. NPT x 6.50 in.	X-218-9
2	Spacer, .406 ID x .625 OD x .875 in	X-400-46
1	Clamp, muffler	X-722-9
Additional Gas Solenoid Valve Dual Fuel		
1	Valve, Gas Assy	GM70497
1	Elbow, street (90 deg x 1-1/4"nptf)	EH-2226
1	Pipe (1-1/4"npt x 1.63")	X-210-8
Additional Gas Solenoid Valve		
1	Solenoid, LP fuel	GM63623
1	Harness, extension LP liquid fuel	GM70480
1	Pipe, 1/4 in. NPT x 4.00 in.	X-220-2
1	Terminal, fast-on, female, 18-22 AWG	X-431-25
1	Terminal, fast-on, male, 18-22 AWG	X-431-29
1	Elbow, male tube, 90° + vibra seal	X-447-1
Additional Gas Solenoid Valve		
1	Valve assembly, gas	GM70497
1	Bushing, reducing, 1 x 1 1/4 in. NPT	X-202-32
1	Pipe, 1 1/4 in. NPT x 1.63 in.	X-210-8
Additional Gas Solenoid Valve Dual Fuel		
1	Valve, Gas Assy	GM70497
1	Elbow, street (90 deg x 1-1/4"nptf)	EH-2226
1	Pipe (1-1/4"npt x 5.00")	X-210-27
Additional Gas Solenoid Valve Dual Fuel		
1	Pipe (1-1/2"npt x 1.75")	155040
1	Valve, Gas Assy	GM70498
1	Pipe (1-1/2"npt x 4.00")	X-205-7
Additional Gas Solenoid Valve		
1	Pipe (1-1/2"npt x 2.50")	151803
1	Valve, gas	GM70498
1	Pipe (1-1/4"npt x 1.63")	X-210-8
1	Coupling, pipe (1-1/4"npsc)	X-216-22

Appendix A Abbreviations

The following list contains abbreviations that may appear in this publication.

A, amp	ampere	cfm	cubic feet per minute	est.	estimated
ABDC	after bottom dead center	CG	center of gravity	E-Stop	emergency stop
AC	alternating current	CID	cubic inch displacement	etc.	et cetera (and so forth)
A/D	analog to digital	CL	centerline	exh.	exhaust
ADC	advanced digital control; analog to digital converter	cm	centimeter	ext.	external
adj.	adjust, adjustment	CMOS	complementary metal oxide substrate (semiconductor)	F	Fahrenheit, female
ADV	advertising dimensional drawing	cogen.	cogeneration	fglass.	fiberglass
Ah	amp-hour	com	communications (port)	FHM	flat head machine (screw)
AHWT	anticipatory high water temperature	coml	commercial	fl. oz.	fluid ounce
AISI	American Iron and Steel Institute	Coml/Rec	Commercial/Recreational	flex.	flexible
ALOP	anticipatory low oil pressure	conn.	connection	freq.	frequency
alt.	alternator	cont.	continued	FS	full scale
Al	aluminum	CPVC	chlorinated polyvinyl chloride	ft.	foot, feet
ANSI	American National Standards Institute (formerly American Standards Association, ASA)	crit.	critical	ft. lb.	foot pounds (torque)
AO	anticipatory only	CRT	cathode ray tube	ft./min.	feet per minute
APDC	Air Pollution Control District	CSA	Canadian Standards Association	ftp	file transfer protocol
API	American Petroleum Institute	CT	current transformer	g	gram
approx.	approximate, approximately	Cu	copper	ga.	gauge (meters, wire size)
AQMD	Air Quality Management District	cUL	Canadian Underwriter's Laboratories	gal.	gallon
AR	as required, as requested	CUL	Canadian Underwriter's Laboratories	gen.	generator
AS	as supplied, as stated, as suggested	cu. in.	cubic inch	genset	generator set
ASE	American Society of Engineers	cw.	clockwise	GFI	ground fault interrupter
ASME	American Society of Mechanical Engineers	CWC	city water-cooled	GND, ⊕	ground
assy.	assembly	cyl.	cylinder	gov.	governor
ASTM	American Society for Testing Materials	D/A	digital to analog	gph	gallons per hour
ATDC	after top dead center	DAC	digital to analog converter	gpm	gallons per minute
ATS	automatic transfer switch	dB	decibel	gr.	grade, gross
auto.	automatic	dB(A)	decibel (A weighted)	GRD	equipment ground
aux.	auxiliary	DC	direct current	gr. wt.	gross weight
avg.	average	DCR	direct current resistance	H x W x D	height by width by depth
AVR	automatic voltage regulator	deg., °	degree	HC	hex cap
AWG	American Wire Gauge	dept.	department	HCHT	high cylinder head temperature
AWM	appliance wiring material	DFMEA	Design Failure Mode and Effects Analysis	HD	heavy duty
bat.	battery	dia.	diameter	HET	high exhaust temp., high engine temp.
BBDC	before bottom dead center	DI/EO	dual inlet/end outlet	hex	hexagon
BC	battery charger, battery charging	DIN	Deutsches Institut für Normung e. V. (also Deutsche Industrie Normenausschuss)	Hg	mercury (element)
BCA	battery charging alternator	DIP	dual inline package	HH	hex head
BCI	Battery Council International	DPDT	double-pole, double-throw	HHC	hex head cap
BDC	before dead center	DS	disconnect switch	HP	horsepower
BHP	brake horsepower	DVR	digital voltage regulator	hr.	hour
blk.	black (paint color), block (engine)	E, emer.	emergency (power source)	HS	heat shrink
blk. htr.	block heater	ECM	electronic control module, engine control module	hsg.	housing
BMEP	brake mean effective pressure	EDI	electronic data interchange	HVAC	heating, ventilation, and air conditioning
bps	bits per second	EFR	emergency frequency relay	HWT	high water temperature
br.	brass	e.g.	for example (<i>exempli gratia</i>)	Hz	hertz (cycles per second)
BTDC	before top dead center	EG	electronic governor	IC	integrated circuit
Btu	British thermal unit	EGSA	Electrical Generating Systems Association	ID	inside diameter, identification
Btu/min.	British thermal units per minute	EIA	Electronic Industries Association	IEC	International Electrotechnical Commission
C	Celsius, centigrade	EI/EO	end inlet/end outlet	IEEE	Institute of Electrical and Electronics Engineers
cal.	calorie	EMI	electromagnetic interference	IMS	improved motor starting
CAN	controller area network	emiss.	emission	in.	inch
CARB	California Air Resources Board	eng.	engine	in. H ₂ O	inches of water
CB	circuit breaker	EPA	Environmental Protection Agency	in. Hg	inches of mercury
cc	cubic centimeter	ES	engineering special, engineered special	in. lb.	inch pounds
CCA	cold cranking amps	ESD	electrostatic discharge	Inc.	incorporated
ccw.	counterclockwise			ind.	industrial
CEC	Canadian Electrical Code			int.	internal
cert.	certificate, certification, certified			int./ext.	internal/external
cfh	cubic feet per hour			I/O	input/output
				IP	iron pipe
				ISO	International Organization for Standardization
				J	joule
				JIS	Japanese Industry Standard

k	kilo (1000)	MTBO	mean time between overhauls	rms	root mean square
K	kelvin	mtg.	mounting	rnd.	round
kA	kiloampere	MTU	Motoren-und Turbinen-Union	ROM	read only memory
KB	kilobyte (2 ¹⁰ bytes)	MW	megawatt	rot.	rotate, rotating
KBus	Kohler communication protocol	mW	milliwatt	rpm	revolutions per minute
kg	kilogram	μF	microfarad	RS	right side
kg/cm ²	kilograms per square centimeter	N, norm.	normal (power source)	RTU	remote terminal unit
kgm	kilogram-meter	NA	not available, not applicable	RTV	room temperature vulcanization
kg/m ³	kilograms per cubic meter	nat. gas	natural gas	RW	read/write
kHz	kilohertz	NBS	National Bureau of Standards	SAE	Society of Automotive Engineers
kJ	kilojoule	NC	normally closed	scfm	standard cubic feet per minute
km	kilometer	NEC	National Electrical Code	SCR	silicon controlled rectifier
kOhm, kΩ	kilo-ohm	NEMA	National Electrical Manufacturers Association	s, sec.	second
kPa	kilopascal	NFPA	National Fire Protection Association	SI	<i>Systeme international d'unites</i> , International System of Units
kph	kilometers per hour	Nm	newton meter	SI/EO	side in/end out
kV	kilovolt	NO	normally open	sil.	silencer
kVA	kilovolt ampere	no., nos.	number, numbers	SN	serial number
kVAR	kilovolt ampere reactive	NPS	National Pipe, Straight	SNMP	simple network management protocol
kW	kilowatt	NPSC	National Pipe, Straight-coupling	SPDT	single-pole, double-throw
kWh	kilowatt-hour	NPT	National Standard taper pipe thread per general use	SPST	single-pole, single-throw
kWm	kilowatt mechanical	NPTF	National Pipe, Taper-Fine	spec	specification
kWth	kilowatt-thermal	NR	not required, normal relay	specs	specification(s)
L	liter	ns	nanosecond	sq.	square
LAN	local area network	OC	overcrank	sq. cm	square centimeter
L x W x H	length by width by height	OD	outside diameter	sq. in.	square inch
lb.	pound, pounds	OEM	original equipment manufacturer	SS	stainless steel
lbm/ft ³	pounds mass per cubic feet	OF	overfrequency	std.	standard
LCB	line circuit breaker	opt.	option, optional	stl.	steel
LCD	liquid crystal display	OS	oversize, overspeed	tach.	tachometer
ld. shd.	load shed	OSHA	Occupational Safety and Health Administration	TD	time delay
LED	light emitting diode	OV	overvoltage	TDC	top dead center
Lph	liters per hour	oz.	ounce	TDEC	time delay engine cooldown
Lpm	liters per minute	p., pp.	page, pages	TDEN	time delay emergency to normal
LOP	low oil pressure	PC	personal computer	TDES	time delay engine start
LP	liquefied petroleum	PCB	printed circuit board	TDNE	time delay normal to emergency
LPG	liquefied petroleum gas	pF	picofarad	TDOE	time delay off to emergency
LS	left side	PF	power factor	TDON	time delay off to normal
L _{wa}	sound power level, A weighted	ph., ∅	phase	temp.	temperature
LWL	low water level	PHC	Phillips® head Crimptite® (screw)	term.	terminal
LWT	low water temperature	PHH	Phillips® hex head (screw)	THD	total harmonic distortion
m	meter, milli (1/1000)	PHM	pan head machine (screw)	TIF	telephone influence factor
M	mega (10 ⁶ when used with SI units), male	PLC	programmable logic control	TIR	total indicator reading
m ³	cubic meter	PMG	permanent magnet generator	tol.	tolerance
m ³ /hr.	cubic meters per hour	pot	potentiometer, potential	turbo.	turbocharger
m ³ /min.	cubic meters per minute	ppm	parts per million	typ.	typical (same in multiple locations)
mA	milliampere	PROM	programmable read-only memory	UF	underfrequency
man.	manual	psi	pounds per square inch	UHF	ultrahigh frequency
max.	maximum	psig	pounds per square inch gauge	UL	Underwriter's Laboratories, Inc.
MB	megabyte (2 ²⁰ bytes)	pt.	pint	UNC	unified coarse thread (was NC)
MCCB	molded-case circuit breaker	PTC	positive temperature coefficient	UNF	unified fine thread (was NF)
MCM	one thousand circular mils	PTO	power takeoff	univ.	universal
meggar	megohmmeter	PVC	polyvinyl chloride	US	undersize, underspeed
MHz	megahertz	qt.	quart, quarts	UV	ultraviolet, undervoltage
mi.	mile	qty.	quantity	V	volt
mil	one one-thousandth of an inch	R	replacement (emergency) power source	VAC	volts alternating current
min.	minimum, minute	rad.	radiator, radius	VAR	voltampere reactive
misc.	miscellaneous	RAM	random access memory	VDC	volts direct current
MJ	megajoule	RDO	relay driver output	VFD	vacuum fluorescent display
mJ	millijoule	ref.	reference	VGA	video graphics adapter
mm	millimeter	rem.	remote	VHF	very high frequency
mOhm, mΩ	milliohm	Res/Coml	Residential/Commercial	W	watt
MOhm, MΩ	megohm	RFI	radio frequency interference	WCR	withstand and closing rating
MOV	metal oxide varistor	RH	round head	w/	with
MPa	megapascal	RHM	round head machine (screw)	w/o	without
mpg	miles per gallon	rly.	relay	wt.	weight
mph	miles per hour			xfrm	transformer
MS	military standard				
ms	millisecond				
m/sec.	meters per second				
MTBF	mean time between failure				

Appendix B Common Hardware Application Guidelines

Use the information below and on the following pages to identify proper fastening techniques when no specific reference for reassembly is made.

Bolt/Screw Length: When bolt/screw length is not given, use Figure 1 as a guide. As a general rule, a minimum length of one thread beyond the nut and a maximum length of 1/2 the bolt/screw diameter beyond the nut is the preferred method.

Washers and Nuts: Use split lock washers as a bolt locking device where specified. Use SAE flat washers with whiz nuts, spirallock nuts, or standard nuts and preloading (torque) of the bolt in all other applications.

See Appendix C, General Torque Specifications, and other torque specifications in the service literature.

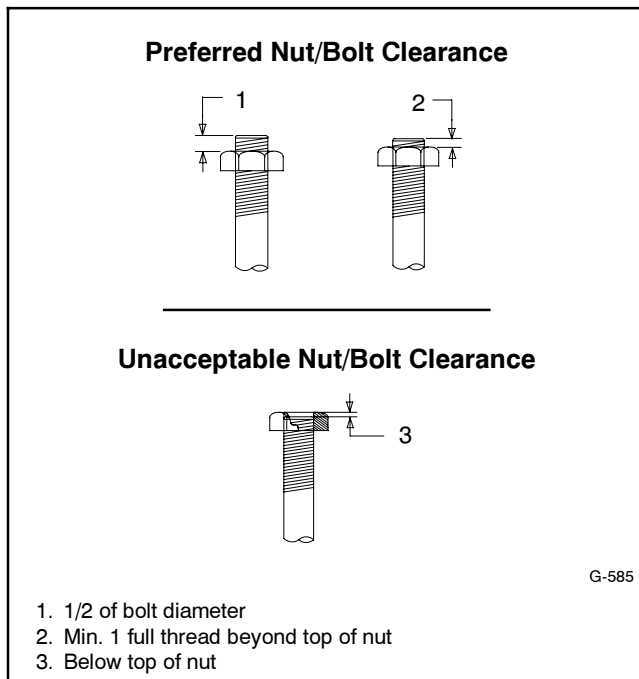


Figure 1 Acceptable Bolt Lengths

1. 1/2 of bolt diameter
2. Min. 1 full thread beyond top of nut
3. Below top of nut

Steps for common hardware application:

1. Determine entry hole type: round or slotted.
2. Determine exit hole type: fixed female thread (weld nut), round, or slotted.

For round and slotted exit holes, determine if hardware is greater than 1/2 inch in diameter, or 1/2 inch in diameter or less. Hardware that is *greater than 1/2 inch* in diameter takes a standard nut and SAE washer. Hardware *1/2 inch or less* in diameter can take a properly torqued whiz nut or spirallock nut. See Figure 2.

3. Follow these SAE washer rules after determining exit hole type:
 - a. Always use a washer between hardware and a slot.
 - b. Always use a washer under a nut (see 2 above for exception).
 - c. Use a washer under a bolt when the female thread is fixed (weld nut).
4. Refer to Figure 2, which depicts the preceding hardware configuration possibilities.

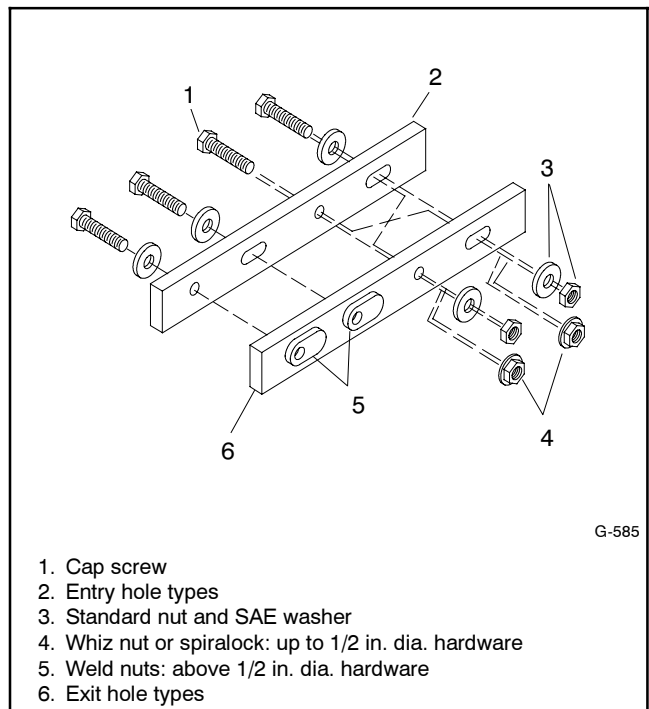


Figure 2 Acceptable Hardware Combinations

1. Cap screw
2. Entry hole types
3. Standard nut and SAE washer
4. Whiz nut or spirallock: up to 1/2 in. dia. hardware
5. Weld nuts: above 1/2 in. dia. hardware
6. Exit hole types

Appendix C General Torque Specifications







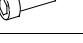

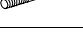
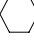




American Standard Fasteners Torque Specifications					
Size	Torque Measurement	Assembled into Cast Iron or Steel			Assembled into Aluminum Grade 2 or 5
		Grade 2	Grade 5	Grade 8	
8-32	Nm (in. lb.)	1.8 (16)	2.3 (20)	—	See Note 3
10-24	Nm (in. lb.)	2.9 (26)	3.6 (32)	—	
10-32	Nm (in. lb.)	2.9 (26)	3.6 (32)	—	
1/4-20	Nm (in. lb.)	6.8 (60)	10.8 (96)	14.9 (132)	
1/4-28	Nm (in. lb.)	8.1 (72)	12.2 (108)	16.3 (144)	
5/16-18	Nm (in. lb.)	13.6 (120)	21.7 (192)	29.8 (264)	
5/16-24	Nm (in. lb.)	14.9 (132)	23.1 (204)	32.5 (288)	
3/8-16	Nm (ft. lb.)	24.0 (18)	38.0 (28)	53.0 (39)	
3/8-24	Nm (ft. lb.)	27.0 (20)	42.0 (31)	60.0 (44)	
7/16-14	Nm (ft. lb.)	39.0 (29)	60.0 (44)	85.0 (63)	
7/16-20	Nm (ft. lb.)	43.0 (32)	68.0 (50)	95.0 (70)	
1/2-13	Nm (ft. lb.)	60.0 (44)	92.0 (68)	130.0 (96)	
1/2-20	Nm (ft. lb.)	66.0 (49)	103.0 (76)	146.0 (108)	
9/16-12	Nm (ft. lb.)	81.0 (60)	133.0 (98)	187.0 (138)	
9/16-18	Nm (ft. lb.)	91.0 (67)	148.0 (109)	209.0 (154)	
5/8-11	Nm (ft. lb.)	113.0 (83)	183.0 (135)	259.0 (191)	
5/8-18	Nm (ft. lb.)	128.0 (94)	208.0 (153)	293.0 (216)	
3/4-10	Nm (ft. lb.)	199.0 (147)	325.0 (240)	458.0 (338)	
3/4-16	Nm (ft. lb.)	222.0 (164)	363.0 (268)	513.0 (378)	
1-8	Nm (ft. lb.)	259.0 (191)	721.0 (532)	1109.0 (818)	
1-12	Nm (ft. lb.)	283.0 (209)	789.0 (582)	1214.0 (895)	





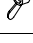






Metric Fasteners Torque Specifications, Measured in Nm (ft. lb.)				
Size (mm)	Assembled into Cast Iron or Steel			Assembled into Aluminum Grade 5.8 or 8.8
	Grade 5.8	Grade 8.8	Grade 10.9	
M6 x 1.00	6.2 (4.6)	9.5 (7)	13.6 (10)	See Note 3
M8 x 1.25	15.0 (11)	23.0 (17)	33.0 (24)	
M8 x 1.00	16.0 (11)	24.0 (18)	34.0 (25)	
M10 x 1.50	30.0 (22)	45.0 (34)	65.0 (48)	
M10 x 1.25	31.0 (23)	47.0 (35)	68.0 (50)	
M12 x 1.75	53.0 (39)	80.0 (59)	115.0 (85)	
M12 x 1.50	56.0 (41)	85.0 (63)	122.0 (90)	
M14 x 2.00	83.0 (61)	126.0 (93)	180.0 (133)	
M14 x 1.50	87.0 (64)	133.0 (98)	190.0 (140)	
M16 x 2.00	127.0 (94)	194.0 (143)	278.0 (205)	
M16 x 1.50	132.0 (97)	201.0 (148)	287.0 (212)	
M18 x 2.50	179.0 (132)	273.0 (201)	390.0 (288)	
M18 x 1.50	189.0 (140)	289.0 (213)	413.0 (305)	

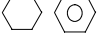



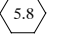
Notes:

1. The torque values above are general guidelines. Always use the torque values specified in the service manuals and/or assembly drawings when they differ from the above torque values.
2. The torque values above are based on new plated threads. Increase torque values by 15% if non-plated threads are used.
3. Hardware threaded into aluminum must have either two diameters of thread engagement or a 30% or more reduction in the torque to prevent stripped threads.
4. Torque values are calculated as equivalent stress loading on American hardware with an approximate preload of 90% of the yield strength and a friction coefficient of 0.125.

Appendix D Common Hardware Identification

Screw/Bolts/Studs	
Head Styles	
Hex Head or Machine Head	
Hex Head or Machine Head with Washer	
Flat Head (FHM)	
Round Head (RHM)	
Pan Head	
Hex Socket Head Cap or Allen™ Head Cap	
Hex Socket Head or Allen™ Head Shoulder Bolt	
Sheet Metal Screw	
Stud	
Drive Styles	
Hex	
Hex and Slotted	
Phillips®	
Slotted	
Hex Socket	

Nuts	
Nut Styles	
Hex Head	
Lock or Elastic	
Square	
Cap or Acorn	
Wing	
Washers	
Washer Styles	
Plain	
Split Lock or Spring	
Spring or Wave	
External Tooth Lock	
Internal Tooth Lock	
Internal-External Tooth Lock	

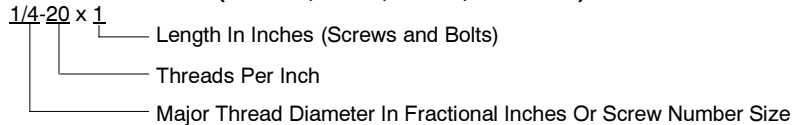
Hardness Grades	
American Standard	
Grade 2	
Grade 5	
Grade 8	
Grade 8/9 (Hex Socket Head)	
Metric	
Number stamped on hardware; 5.8 shown	

Allen™ head screw is a trademark of Holo-Krome Co.

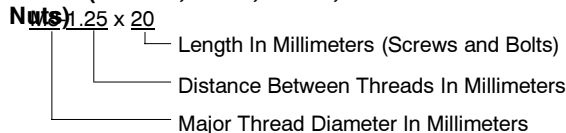
Phillips® screw is a registered trademark of Phillips Screw Company.

Sample Dimensions

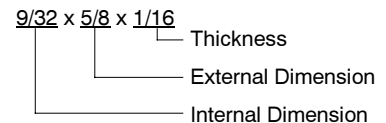
American Standard (Screws, Bolts, Studs, and Nuts)



Metric (Screws, Bolts, Studs, and Nuts)



Plain Washers



Lock Washers



Appendix E Common Hardware List

The Common Hardware List lists part numbers and dimensions for common hardware items.

American Standard

Part No. Dimensions Hex Head Bolts (Grade 5)

X-465-17	1/4-20 x .38
X-465-6	1/4-20 x .50
X-465-2	1/4-20 x .62
X-465-16	1/4-20 x .75
X-465-18	1/4-20 x .88
X-465-7	1/4-20 x 1.00
X-465-8	1/4-20 x 1.25
X-465-9	1/4-20 x 1.50
X-465-10	1/4-20 x 1.75
X-465-11	1/4-20 x 2.00
X-465-12	1/4-20 x 2.25
X-465-14	1/4-20 x 2.75
X-465-21	1/4-20 x 5.00
X-465-25	1/4-28 x .38
X-465-20	1/4-28 x 1.00
X-125-33	5/16-18 x .50
X-125-23	5/16-18 x .62
X-125-3	5/16-18 x .75
X-125-31	5/16-18 x .88
X-125-5	5/16-18 x 1.00
X-125-24	5/16-18 x 1.25
X-125-34	5/16-18 x 1.50
X-125-25	5/16-18 x 1.75
X-125-26	5/16-18 x 2.00
230578	5/16-18 x 2.25
X-125-29	5/16-18 x 2.50
X-125-27	5/16-18 x 2.75
X-125-28	5/16-18 x 3.00
X-125-22	5/16-18 x 4.50
X-125-32	5/16-18 x 5.00
X-125-35	5/16-18 x 5.50
X-125-36	5/16-18 x 6.00
X-125-40	5/16-18 x 6.50
X-125-43	5/16-24 x 1.75
X-125-44	5/16-24 x 2.50
X-125-30	5/16-24 x .75
X-125-39	5/16-24 x 2.00
X-125-38	5/16-24 x 2.75
X-6238-2	3/8-16 x .62
X-6238-10	3/8-16 x .75
X-6238-3	3/8-16 x .88
X-6238-11	3/8-16 x 1.00
X-6238-4	3/8-16 x 1.25
X-6238-5	3/8-16 x 1.50
X-6238-1	3/8-16 x 1.75
X-6238-6	3/8-16 x 2.00
X-6238-17	3/8-16 x 2.25
X-6238-7	3/8-16 x 2.50
X-6238-8	3/8-16 x 2.75
X-6238-9	3/8-16 x 3.00
X-6238-19	3/8-16 x 3.25
X-6238-12	3/8-16 x 3.50
X-6238-20	3/8-16 x 3.75
X-6238-13	3/8-16 x 4.50
X-6238-18	3/8-16 x 5.50
X-6238-25	3/8-16 x 6.50

Part No. Dimensions Hex Head Bolts, cont.

X-6238-14	3/8-24 x .75
X-6238-16	3/8-24 x 1.25
X-6238-21	3/8-24 x 4.00
X-6238-22	3/8-24 x 4.50
X-6024-5	7/16-14 x .75
X-6024-2	7/16-14 x 1.00
X-6024-8	7/16-14 x 1.25
X-6024-3	7/16-14 x 1.50
X-6024-4	7/16-14 x 2.00
X-6024-11	7/16-14 x 2.75
X-6024-12	7/16-14 x 6.50
X-129-15	1/2-13 x .75
X-129-17	1/2-13 x 1.00
X-129-18	1/2-13 x 1.25
X-129-19	1/2-13 x 1.50
X-129-20	1/2-13 x 1.75
X-129-21	1/2-13 x 2.00
X-129-22	1/2-13 x 2.25
X-129-23	1/2-13 x 2.50
X-129-24	1/2-13 x 2.75
X-129-25	1/2-13 x 3.00
X-129-27	1/2-13 x 3.50
X-129-29	1/2-13 x 4.00
X-129-30	1/2-13 x 4.50
X-463-9	1/2-13 x 5.50
X-129-44	1/2-13 x 6.00
X-129-51	1/2-20 x .75
X-129-45	1/2-20 x 1.25
X-129-52	1/2-20 x 1.50
X-6021-3	5/8-11 x 1.00
X-6021-4	5/8-11 x 1.25
X-6021-2	5/8-11 x 1.50
X-6021-1	5/8-11 x 1.75
273049	5/8-11 x 2.00
X-6021-5	5/8-11 x 2.25
X-6021-6	5/8-11 x 2.50
X-6021-7	5/8-11 x 2.75
X-6021-12	5/8-11 x 3.75
X-6021-11	5/8-11 x 4.50
X-6021-10	5/8-11 x 6.00
X-6021-9	5/8-18 x 2.50
X-6239-1	3/4-10 x 1.00
X-6239-8	3/4-10 x 1.25
X-6239-2	3/4-10 x 1.50
X-6239-3	3/4-10 x 2.00
X-6239-4	3/4-10 x 2.50
X-6239-5	3/4-10 x 3.00
X-6239-6	3/4-10 x 3.50
X-792-1	1-8 x 2.25
X-792-5	1-8 x 3.00
X-792-8	1-8 x 5.00

Part No. Dimensions Type

Hex Nuts

X-6009-1	1-8	Standard
X-6210-3	6-32	Whiz
X-6210-4	8-32	Whiz
X-6210-5	10-24	Whiz
X-6210-1	10-32	Whiz
X-6210-2	1/4-20	Spiralock
X-6210-6	1/4-28	Spiralock
X-6210-7	5/16-18	Spiralock
X-6210-8	5/16-24	Spiralock
X-6210-9	3/8-16	Spiralock
X-6210-10	3/8-24	Spiralock
X-6210-11	7/16-14	Spiralock
X-6210-12	1/2-13	Spiralock
X-6210-15	7/16-20	Spiralock
X-6210-14	1/2-20	Spiralock
X-85-3	5/8-11	Standard
X-88-12	3/4-10	Standard
X-89-2	1/2-20	Standard

Washers

Part No.	ID	OD	Thick.	Bolt/ Screw
X-25-46	.125	.250	.022	#4
X-25-9	.156	.375	.049	#6
X-25-48	.188	.438	.049	#8
X-25-36	.219	.500	.049	#10
X-25-40	.281	.625	.065	1/4
X-25-85	.344	.687	.065	5/16
X-25-37	.406	.812	.065	3/8
X-25-34	.469	.922	.065	7/16
X-25-26	.531	1.062	.095	1/2
X-25-15	.656	1.312	.095	5/8
X-25-29	.812	1.469	.134	3/4
X-25-127	1.062	2.000	.134	1

Metric

Hex head bolts are hardness grade 8.8 unless noted.

Part No. Dimensions Hex Head Bolts (Partial Thread)

M931-05055-60	M5-0.80 x 55
M931-06040-60	M6-1.00 x 40
M931-06055-60	M6-1.00 x 55
M931-06060-60	M6-1.00 x 60
M931-06060-SS	M6-1.00 x 60
M931-06070-60	M6-1.00 x 70
M931-06070-SS	M6-1.00 x 70
M931-06075-60	M6-1.00 x 75
M931-06090-60	M6-1.00 x 90
M931-06145-60	M6-1.00 x 145
M931-06150-60	M6-1.00 x 150
M931-08035-60	M8-1.25 x 35
M931-08040-60	M8-1.25 x 40
M931-08045-60	M8-1.25 x 45
M931-08050-60	M8-1.25 x 50
M931-08055-60	M8-1.25 x 55
M931-08055-82	M8-1.25 x 55*
M931-08060-60	M8-1.25 x 60
M931-08070-60	M8-1.25 x 70
M931-08070-82	M8-1.25 x 70*
M931-08075-60	M8-1.25 x 75
M931-08080-60	M8-1.25 x 80
M931-08090-60	M8-1.25 x 90
M931-08095-60	M8-1.25 x 95
M931-08100-60	M8-1.25 x 100
M931-08110-60	M8-1.25 x 110
M931-08120-60	M8-1.25 x 120
M931-08130-60	M8-1.25 x 130
M931-08140-60	M8-1.25 x 140
M931-08150-60	M8-1.25 x 150
M931-08200-60	M8-1.25 x 200
M931-10040-82	M10-1.25 x 40*
M931-10040-60	M10-1.50 x 40
M931-10045-60	M10-1.50 x 45
M931-10050-60	M10-1.50 x 50
M931-10050-82	M10-1.25 x 50*
M931-10055-60	M10-1.50 x 55
M931-10060-60	M10-1.50 x 60
M931-10065-60	M10-1.50 x 65
M931-10070-60	M10-1.50 x 70
M931-10080-60	M10-1.50 x 80
M931-10080-82	M10-1.25 x 80*
M931-10090-60	M10-1.50 x 90
M931-10090-82	M10-1.50 x 90*
M931-10100-60	M10-1.50 x 100
M931-10110-60	M10-1.50 x 110
M931-10120-60	M10-1.50 x 120
M931-10130-60	M10-1.50 x 130
M931-10140-60	M10-1.50 x 140
M931-10180-60	M10-1.50 x 180
M931-10235-60	M10-1.50 x 235
M931-10260-60	M10-1.50 x 260
M960-10330-60	M10-1.25 x 330
M931-12045-60	M12-1.75 x 45
M960-12050-60	M12-1.25 x 50
M960-12050-82	M12-1.25 x 50*
M931-12050-60	M12-1.75 x 50
M931-12050-82	M12-1.75 x 50*
M931-12055-60	M12-1.75 x 55
M931-12060-60	M12-1.75 x 60
M931-12060-82	M12-1.75 x 60*
M931-12065-60	M12-1.75 x 65
M931-12075-60	M12-1.75 x 75
M931-12080-60	M12-1.75 x 80
M931-12090-60	M12-1.75 x 90
M931-12100-60	M12-1.75 x 100
M931-12110-60	M12-1.75 x 110

Part No. Dimensions Hex Head Bolts (Partial Thread), continued

M960-16090-60	M16-1.50 x 90
M931-16090-60	M16-2.00 x 90
M931-16100-60	M16-2.00 x 100
M931-16100-82	M16-2.00 x 100*
M931-16120-60	M16-2.00 x 120
M931-16150-60	M16-2.00 x 150
M931-20065-60	M20-2.50 x 65
M931-20090-60	M20-2.50 x 90
M931-20100-60	M20-2.50 x 100
M931-20120-60	M20-2.50 x 120
M931-20140-60	M20-2.50 x 140
M931-20160-60	M20-2.50 x 160
M931-22090-60	M22-2.50 x 90
M931-22120-60	M22-2.50 x 120
M931-22160-60	M22-2.50 x 160
M931-24090-60	M24-3.00 x 90
M931-24120-60	M24-3.00 x 120
M931-24160-60	M24-3.00 x 160
M931-24200-60	M24-3.00 x 200

Hex Head Bolts (Full Thread)

M933-04006-60	M4-0.70 x 6
M933-05030-60	M5-0.80 x 30
M933-05035-60	M5-0.80 x 35
M933-05050-60	M5-0.80 x 50
M933-06010-60	M6-1.00 x 10
M933-06012-60	M6-1.00 x 12
M933-06014-60	M6-1.00 x 14
M933-06016-60	M6-1.00 x 16
M933-06020-60	M6-1.00 x 20
M933-06025-60	M6-1.00 x 25
M933-06030-60	M6-1.00 x 30
M933-06040-60	M6-1.00 x 40
M933-06050-60	M6-1.00 x 50
M933-07025-60	M7-1.00 x 25
M933-08010-60	M8-1.25 x 10
M933-08012-60	M8-1.25 x 12
M933-08016-60	M8-1.25 x 16
M933-08020-60	M8-1.25 x 20
M933-08025-60	M8-1.25 x 25
M933-08030-60	M8-1.25 x 30
M933-08030-82	M8-1.25 x 30*
M933-10012-60	M10-1.50 x 12
M961-10020-60	M10-1.25 x 20
M933-10020-60	M10-1.50 x 20
M933-10025-60	M10-1.50 x 25
M961-10025-60	M10-1.25 x 25
M933-10025-82	M10-1.50 x 25*
M961-10030-60	M10-1.25 x 30
M933-10030-60	M10-1.50 x 30
M933-10030-82	M10-1.50 x 30*
M961-10035-60	M10-1.25 x 35
M933-10035-60	M10-1.50 x 35
M933-10035-82	M10-1.50 x 35*
M961-10040-60	M10-1.25 x 40

Part No. Dimensions Hex Head Bolts (Full Thread), continued

M933-12016-60	M12-1.75 x 16
M933-12020-60	M12-1.75 x 20
M961-12020-60F	M12-1.50 x 20
M933-12025-60	M12-1.75 x 25
M933-12025-82	M12-1.75 x 25*
M961-12030-60	M12-1.25 x 30
M933-12030-82	M12-1.75 x 30*
M961-12030-82F	M12-1.50 x 30*
M933-12030-60	M12-1.75 x 30
M933-12035-60	M12-1.75 x 35
M961-12040-82	M12-1.25 x 40*
M933-12040-60	M12-1.75 x 40
M933-12040-82	M12-1.75 x 40*
M961-14025-60	M14-1.50 x 25
M933-14025-60	M14-2.00 x 25
M961-14050-82	M14-1.50 x 50*
M961-16025-60	M16-1.50 x 25
M933-16025-60	M16-2.00 x 25
M961-16030-82	M16-1.50 x 30*
M933-16030-82	M16-2.00 x 30*
M933-16035-60	M16-2.00 x 35
M961-16040-60	M16-1.50 x 40
M933-16040-60	M16-2.00 x 40
M961-16045-82	M16-1.50 x 45*
M933-16045-82	M16-2.00 x 45*
M933-16050-60	M16-2.00 x 50
M933-16050-82	M16-2.00 x 50*
M933-16060-60	M16-2.00 x 60
M933-16070-60	M16-2.00 x 70
M933-18035-60	M18-2.50 x 35
M933-18050-60	M18-2.50 x 50
M933-18060-60	M18-2.50 x 60
M933-20050-60	M20-2.50 x 50
M933-20055-60	M20-2.50 x 55
M933-24060-60	M24-3.00 x 60
M933-24065-60	M24-3.00 x 65
M933-24070-60	M24-3.00 x 70

Pan Head Machine Screws

M7985A-03010-20	M3-0.50 x 10
M7985A-03012-20	M3-0.50 x 12
M7985A-04010-20	M4-0.70 x 10
M7985A-04016-20	M4-0.70 x 16
M7985A-04020-20	M4-0.70 x 20
M7985A-04050-20	M4-0.70 x 50
M7985A-04100-20	M4-0.70 x 100
M7985A-05010-20	M5-0.80 x 10
M7985A-05012-20	M5-0.80 x 12
M7985A-05016-20	M5-0.80 x 16
M7985A-05020-20	M5-0.80 x 20
M7985A-05025-20	M5-0.80 x 25
M7985A-05030-20	M5-0.80 x 30
M7985A-05080-20	M5-0.80 x 80
M7985A-05100-20	M5-0.80 x 100
M7985A-06100-20	M6-1.00 x 100

Flat Head Machine Screws

M965A-04012-SS	M4-0.70 x 12
M965A-05012-SS	M5-0.80 x 12
M965A-05016-20	M5-0.80 x 16
M965A-06012-20	M6-1.00 x 12

* This metric hex bolt's hardness is grade 10.9.

Metric, continued

Part No.	Dimensions	Type
Hex Nuts		
M934-03-50	M3-0.50	Standard
M934-04-50	M4-0.70	Standard
M934-04-B	M4-0.70	Brass
M934-05-50	M5-0.80	Standard
M934-06-60	M6-1.00	Standard
M934-06-64	M6-1.00	Std. (green)
M6923-06-80	M6-1.00	Spirallock
M982-06-80	M6-1.00	Elastic Stop
M934-08-60	M8-1.25	Standard
M6923-08-80	M8-1.25	Spirallock
M982-08-80	M8-1.25	Elastic Stop
M934-10-60	M10-1.50	Standard
M934-10-60F	M10-1.25	Standard
M6923-10-80	M10-1.50	Spirallock
M6923-10-62	M10-1.50	Spirallock†
M982-10-80	M10-1.50	Elastic Stop
M934-12-60	M12-1.75	Standard
M934-12-60F	M12-1.25	Standard
M6923-12-80	M12-1.75	Spirallock
M982-12-80	M12-1.75	Elastic Stop
M982-14-60	M14-2.00	Elastic Stop
M6923-16-80	M16-2.00	Spirallock
M982-16-80	M16-2.00	Elastic Stop
M934-18-80	M18-2.5	Standard
M982-18-60	M18-2.50	Elastic Stop
M934-20-80	M20-2.50	Standard
M982-20-80	M20-2.50	Elastic Stop
M934-22-60	M22-2.50	Standard
M934-24-80	M24-3.00	Standard
M982-24-60	M24-3.00	Elastic Stop
M934-30-80	M30-3.50	Standard

Washers

Part No.	ID	OD	Thick.	Bolt/ Screw
M125A-03-80	3.2	7.0	0.5	M3
M125A-04-80	4.3	9.0	0.8	M4
M125A-05-80	5.3	10.0	1.0	M5
M125A-06-80	6.4	12.0	1.6	M6
M125A-08-80	8.4	16.0	1.6	M8
M125A-10-80	10.5	20.0	2.0	M10
M125A-12-80	13.0	24.0	2.5	M12
M125A-14-80	15.0	28.0	2.5	M14
M125A-16-80	17.0	30.0	3.0	M16
M125A-18-80	19.0	34.0	3.0	M18
M125A-20-80	21.0	37.0	3.0	M20
M125A-24-80	25.0	44.0	4.0	M24

† This metric hex nut's hardness is grade 8.

Index

Listed below are part numbers and page numbers of modules listed in this manual. Italicized numbers refer to the page numbers on which modules appear.

GM17672-MA1, 55	GM17701-MA51, 55	GM66592-MA2, 17
GM17672-MA10, 55	GM17701-MA6, 55	GM66594-MA1, 9
GM17672-MA11, 55	GM17701-MA7, 55	GM66788-MA1, 8
GM17672-MA12, 55	GM17701-MA8, 55	GM66916-MA1, 51
GM17672-MA13, 55	GM17701-MA9, 55	GM66917-MA1, 51
GM17672-MA153, 55	GM17701-MA42, 55	GM69419-MA1, 13
GM17672-MA154, 55	GM17701-MA43, 55	GM69420-MA1, 49
GM17672-MA175, 55	GM17701-MA44, 55	GM69422-MA1, 49
GM17672-MA2, 55	GM17701-MA45, 55	GM69424-MA1, 61
GM17672-MA3, 55	GM17701-MA46, 55	GM69424-MA2, 61
GM17672-MA4, 55	GM64062-MA1, 53	GM69425-MA1, 61
GM17672-MA5, 55	GM64062-MA2, 53	GM69427-MA1, 7
GM17672-MA6, 55	GM64062-MA3, 53	GM71654-MA1, 69
GM17672-MA7, 55	GM64064-MA1, 10	GM71655-MA1, 71
GM17672-MA8, 55	GM64159-MA1, 21	GM71656-MA1, 53
GM17672-MA9, 55	GM64159-MA2, 21	GM71656-MA2, 53
GM17672-MA168, 55	GM64296-MA1, 69	GM71684-MA1, 53
GM17672-MA169, 55	GM64296-MA2, 69	GM71684-MA2, 53
GM17672-MA170, 55	GM64297-MA1, 69	GM71684-MA3, 53
GM17672-MA171, 55	GM65366-MA1, 53	GM71692-MA1, 51
GM17672-MA172, 55	GM65366-MA2, 53	GM71692-MA2, 51
GM17672-MA173, 55	GM65367-MA1, 19	GM71692-MA3, 51
GM17701-MA1, 55	GM65367-MA2, 19	GM71693-MA1, 51
GM17701-MA10, 55	GM66094-MA1, 15	GM71693-MA2, 51
GM17701-MA11, 55	GM66094-MA2, 15	GM71694-MA1, 51
GM17701-MA12, 55	GM66095-MA1, 51	GM71695-MA1, 51
GM17701-MA2, 55	GM66095-MA2, 51	GM71696-MA1, 65
GM17701-MA3, 55	GM66096-MA1, 51	GM71696-MA2, 65
GM17701-MA36, 55	GM66096-MA2, 51	GM71696-MA3, 65
GM17701-MA37, 55	GM66097-MA1, 65	GM71699-MA1, 67
GM17701-MA4, 55	GM66097-MA2, 65	GM71699-MA2, 67
GM17701-MA47, 55	GM66097-MA3, 65	GM71699-MA3, 67
GM17701-MA48, 55	GM66097-MA4, 65	GM72450-MA1, 63
GM17701-MA49, 55	GM66098-MA1, 65	
GM17701-MA5, 55	GM66098-MA2, 65	
GM17701-MA50, 55	GM66592-MA1, 17	

TP-6667 2/10c

© 2009, 2010 by Kohler Co. All rights reserved.

KOHLER[®] POWER SYSTEMS

KOHLER CO. Kohler, Wisconsin 53044
Phone 920-565-3381, Fax 920-459-1646
For the nearest sales and service outlet in the
US and Canada, phone 1-800-544-2444
KohlerPower.com

Kohler Power Systems
Asia Pacific Headquarters
7 Jurong Pier Road
Singapore 619159
Phone (65) 6264-6422, Fax (65) 6264-6455