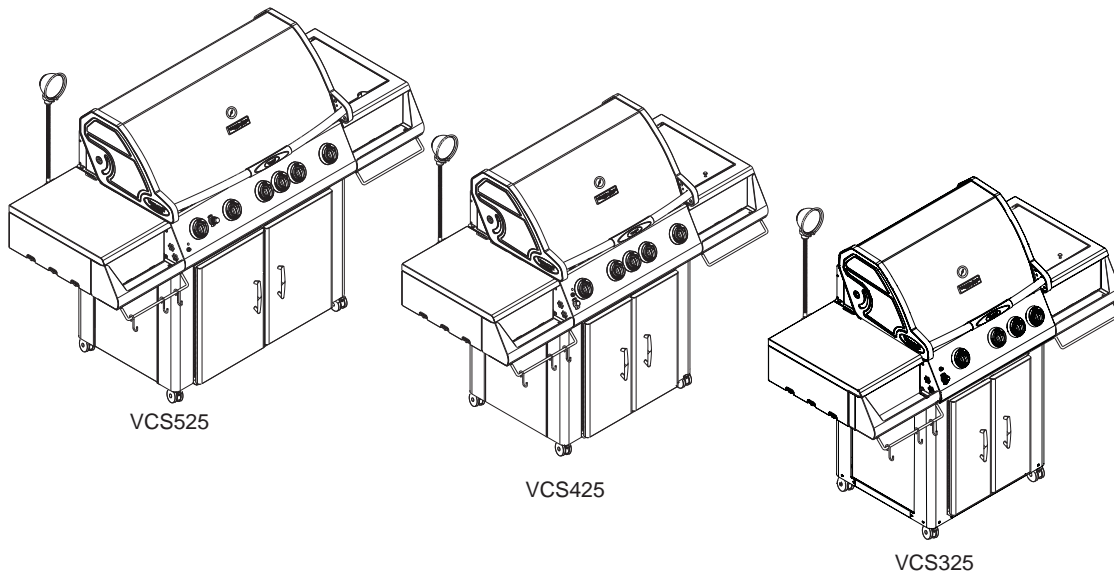


# VCS325 Series, VCS425 Series, VCS525 Series Assembly Instructions

---



Tools Required: Knife or scissors, Phillips or Robertson (square head) screwdriver or ratchet. The use of a manual screwdriver is strongly recommended. A power drill may cause damage to the unit or stripping of the protective coating.



**WARNING!** Some parts may have sharp edges. To avoid injury, wearing gloves during assembly, lifting or moving is recommended. Protective eyewear and long sleeves are also strongly recommended.

**CAUTION:** The assembly of this grill requires two (2) people. Be careful when opening boxes packed inside the grill to avoid scratching the stainless steel parts.

**CAUTION:** This grill is intended **ONLY** to be used as a cart model, this grill cannot be built into an enclosure.

**NOTE:** Remove the protective plastic coating from the stainless steel. Failure to do so will void the warranty.

## Step 1: Unpack Carton and Verify Contents

Remove one (1) screw from each lower corner that fastens the hold down bracket to the barbecue. Retain these screws. Remove the wood screws that fasten the hold down bracket to the pallet. Discard four (4) wood screws and four (4) hold down brackets. Replace one (1) screw in each corner where hold down bracket was removed.

### VCS325 Series Carton Contents

#### Box 1 (30006888)

Grease Pan  
Grease Cup  
Warming Rack  
Bracket, Spit Rod Storage (2)  
Spit Rod (26")

#### Box 2 (30007238)

Condiment Tray Left  
Condiment Tray Right  
Towel Bar (2)  
Utensil Hook (3)  
Heat Plate (3)

#### Box 3

Cook Grates (2) (30006527)

#### Box 4

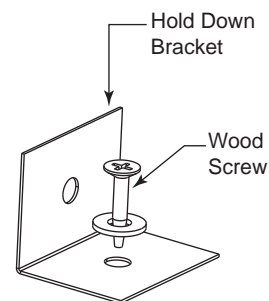
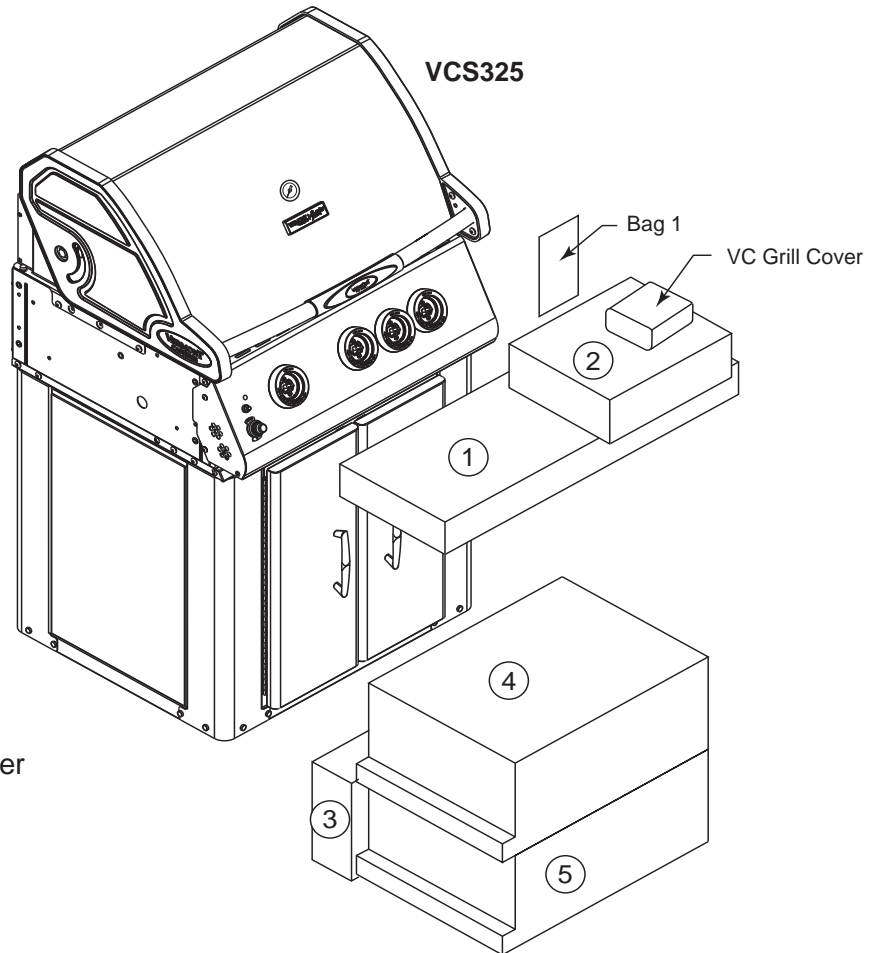
(LP - 30006872)  
(NG - 30006874)  
Shelf Right Assembly  
Shelf Right Assembly Cover Side Burner  
Side Burner Assembly

#### Box 5 (20304920)

Shelf Left Assembly  
Caster Swivel (3)  
Caster Swivel w/ Brakes (1)  
Anti-tip Support  
Rotisserie Kit  
Light kit

#### Bag 1 Instruction Package (30007233)

User's Guide  
Assembly Instructions  
Parts List  
Paper Match Holder Assy.  
Battery 'AAA'  
Lid Bumper Set  
Hardware Bag Side Shelves  
Hardware Bag – Anti-tip Support  
Hardware Bag, Casters



**CAUTION: Be careful when opening boxes packed inside the grill to avoid scratching the stainless steel parts.**

## Step 1: Unpack Carton and Verify Contents

Remove one (1) screw from each lower corner that fastens the hold down bracket to the barbecue. Retain these screws. Remove the wood screws that fasten the hold down bracket to the pallet. Discard four (4) wood screws and four (4) hold down brackets. Replace one (1) screw in each corner where hold down bracket was removed.

### VCS425 Series Carton Contents

#### Box 1 (30005770)

Grease Pan  
Warming Rack  
Grease Cup  
Bracket Spit Rod Storage (2)  
Spit Rod 29"

#### Box 2 (20304957)

Condiment Tray Left  
Condiment Tray Right  
Towel Bar (2)  
Utensil Hook (3)  
Heat Plates (4)

#### Box 3 (30006525)

Cook Grates (3)

#### Box 4

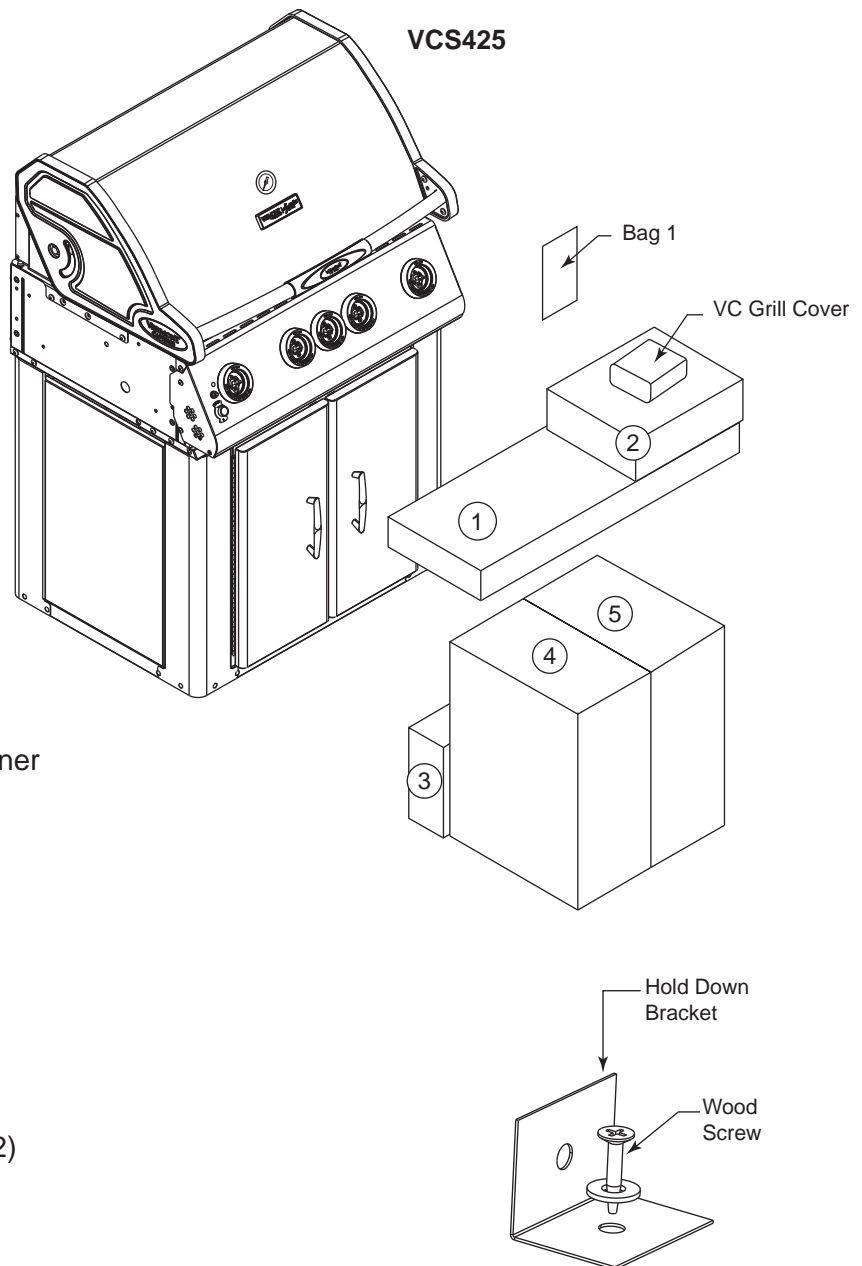
(LP - 30006872)  
(NG - 30006874)  
Shelf Right Assembly  
Shelf Right Assembly Cover Side Burner  
Side Burner Assembly

#### Box 5 (20304920)

Shelf Left Assembly  
Kit VC Light  
Rotisserie Kit  
Caster Swivel (3)  
Caster Swivel w/ Brakes (1)  
Anti-tip Support

#### Bag 1 Instruction Package (30007232)

User's Guide  
Assembly Instructions  
Parts List  
Paper Match Holder Assy.  
Battery 'AA'  
Lid Bumper Set  
Hardware Bag Side Shelves  
Hardware Bag Anti-tip Support  
Hardware Bag, Casters



**CAUTION: Be careful when opening boxes packed inside the grill to avoid scratching the stainless steel parts.**

## Step 1: Unpack Carton and Verify Contents

Remove one (1) screw from each lower corner that fastens the hold down bracket to the barbecue. Retain these screws. Remove the wood screws that fasten the hold down bracket to the pallet. Discard four (4) wood screws and four (4) hold down brackets. Replace one (1) screw in each corner where hold down bracket was removed.

Use a sharp cutting tool to cut the straps on the packaging and then lift off the carton top. Remove the box on the top. The sleeve surrounding the barbecue can be removed by lifting it straight up and over the top of the unit. Compare all contents to the parts list and the carton content lists below. Refer to the parts list for fastener detail.

### VCS525 Series Carton Contents

#### Box 1 (20302911)

Grease Pan  
Grease Cup  
Warming Rack  
Spit Rod  
Bracket Spit Rod Storage (2)

#### Box 2 (20304956)

Condiment Tray Left  
Condiment Tray Right  
Towel Bar (2)  
Utensil Hook (3)  
Heat Plate (5)

#### Box 3 (30006526)

Cook Grate (4)

#### Box 4

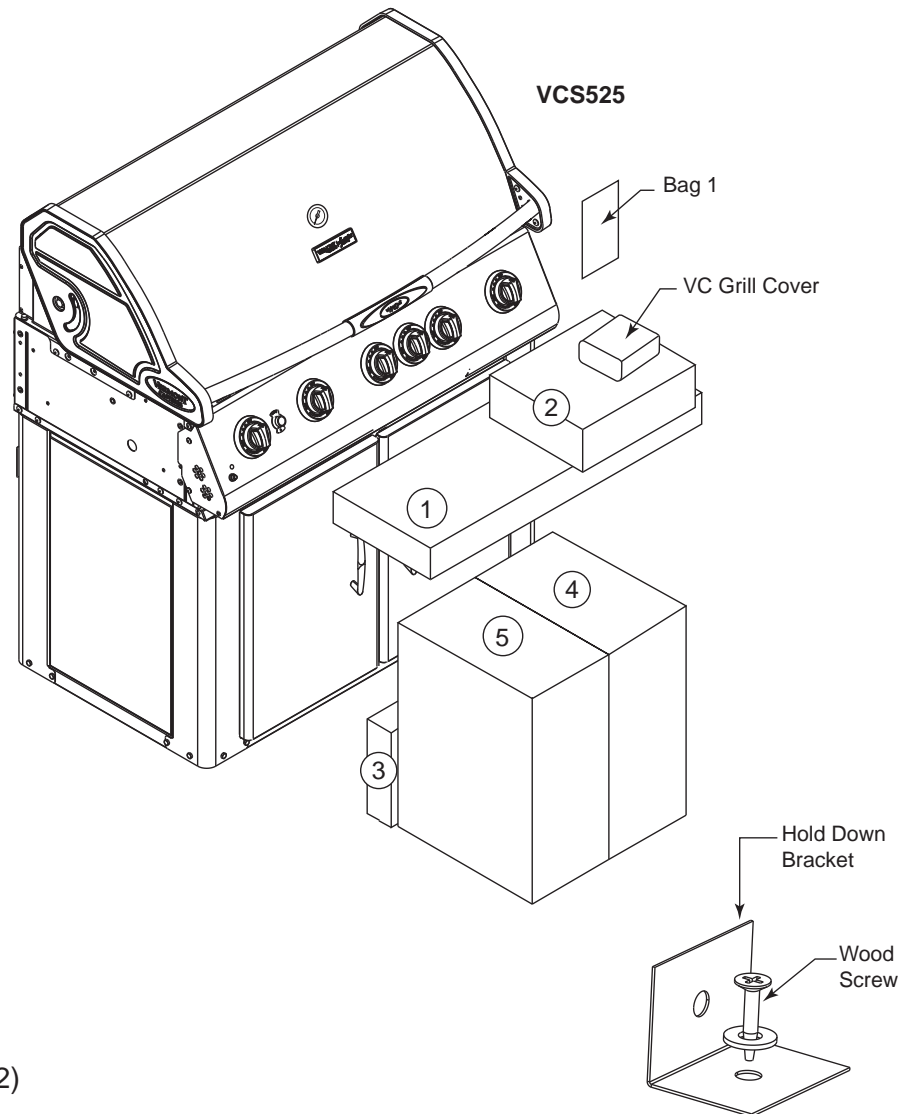
(LP - 30006872)  
(NG - 30006874)  
Shelf Right Assembly  
Cover Side Burner  
Side Burner Assembly LP  
Side Burner Cook Grate

#### Box 5 (20304920)

Shelf Left Assembly  
Kit VC Light  
Rotisseries Motor Kit  
Caster Swivel (3)  
Caster Swivel w/ Brakes (1)  
Anti-tip Support

#### Bag 1: Instruction Package (30007232)

User's Guide  
Assembly Instructions  
Parts List  
Paper Match Holder Assy.  
Battery "AA"  
Lid Bumper Set  
Hardware Bag Side Shelves  
Hardware Bag Anti-tip Support  
Hardware Bag, Casters



**CAUTION: Be careful when opening boxes packed inside the grill to avoid scratching the stainless steel parts.**

## Step 2: Install the Casters and Anti-tip Support

This step requires 2 people.

### Parts Required:

- |   |                             |
|---|-----------------------------|
| (4) Casters (1 with brake; 3 without brake) | (1) Anti-tip Support        |
| (1) Block (not included)                    | (2) 10-24 Truss Head Screws |
| (16) 1/4-20 Flange Nut (50001176)           | (2) 10-24 Hex Nuts          |

Figure 1

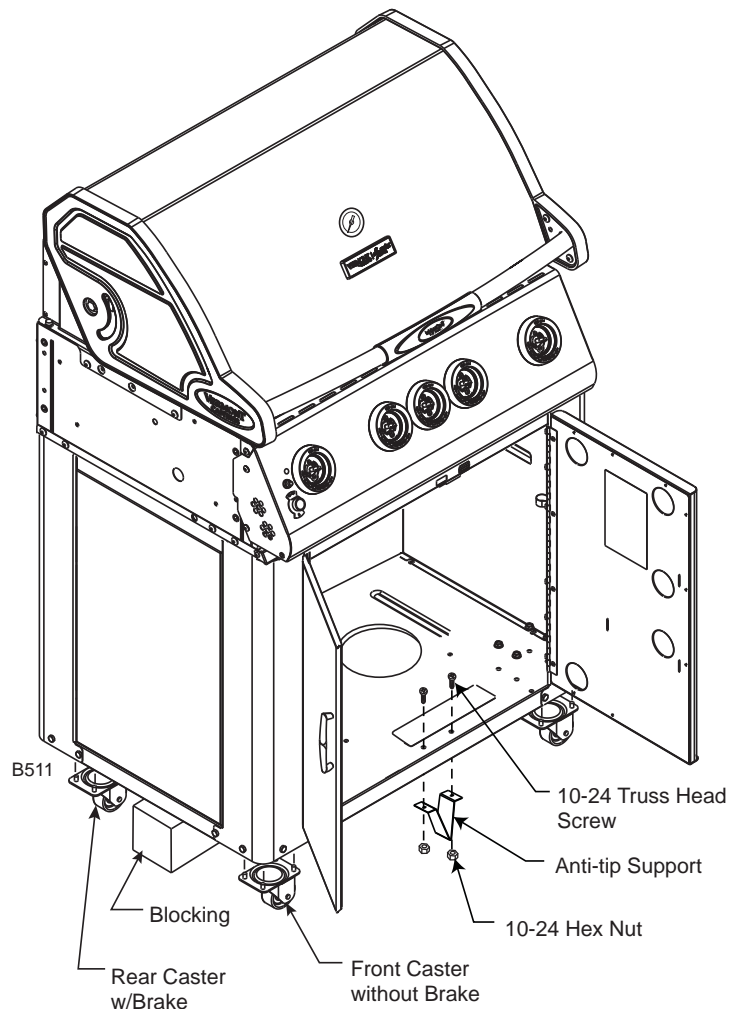
**NOTE:** Casters (wheels) may differ from those shown in the illustration depending on the model you purchased.

Select a side to begin installing the casters. Place a block of wood, thick telephone book or anything else available - approximately 6 inches thick - under the side to support the weight of the barbecue. Insert the four (4) bolts attached on the casters into their respective holes located on the bottom, near the front. If you have any difficulty snapping them into place, try rotating the casters in a circular motion.

As one person holds the front caster in place, the other opens the front door and installs four (4) flange nuts. Tighten the flange nuts on the front caster. Repeat this process with the rear caster. When both casters are in place on one side, repeat the same procedure on the opposite side.

After installing the casters, the corner supports must be repositioned. Do this by removing the two (2) screws securing the support, rotate the support 180° and reinstall using the same screws. (Fig. 1a)

After installing the casters, install the anti-tip support. Position the support under the bottom, slightly to the rear where the front doors meet. Fasten the support using the 10-24 screws and hex nuts supplied.



**NOTE:** Tank pull out not shown.

Figure 1

### Step 3: Grease Pan / Grease Cup Installation

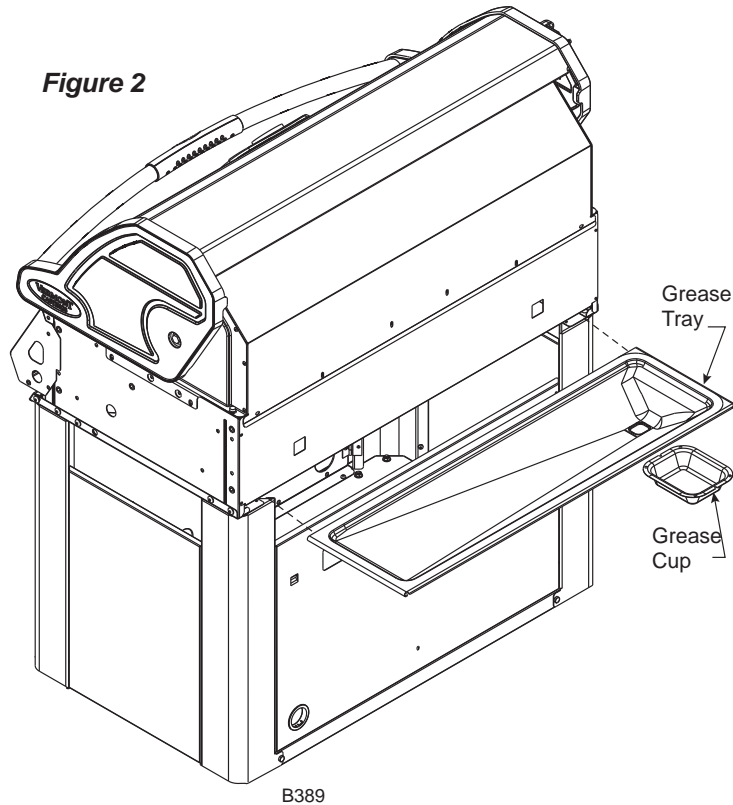
**Parts Required:**

- (1) Grease Tray
- (1) Grease Cup

*Figure 2*

Install grease pan from back side of unit. **NOTE:** Be sure the grease tray is positioned with the opening in the bottom of the grease tray located over the grease cup.

Place grease cup into grease cup holder attached to bottom of left brace support.



---

**Parts Required for Steps 4, 5, 6, 7 & 8**

**Paper Match Holder Assembly**

**Right Side Shelf**

- (1) Kit Condiment Tray\*
- (1) Kit Shelf Right\*\*

**Left Side Shelf**

- (1) Kit Condiment Tray\*
- (1) Kit Shelf Left\*\*\*

**\*Kit Condiment Tray Contents**

- (1) Condiment Tray Left
- (1) Condiment Tray Right
- (2) Towel Bars
- (3) Utensil Hooks

**\*\*Kit Shelf Right Contents**

- (1) Shelf Right Assy w/Support Brackets
- (1) Cover Side burner Assy
- (1) Side Burner Assembly

**\*\*\*Kit Shelf Left Contents**

- (1) Shelf Left Assy w/Support Brackets

## Steps 4 & 5: Right & Left Side Shelf Assembly

### Parts Required:

- (1) Kit Condiment Tray
  - (1) Condiment Tray Left
  - (1) Condiment Tray Right
- (1) Hardware Bag Side Shelves (for both right and left side shelves)
- (1) Kit Shelf Right
  - (1) Shelf Right Assy w/Support Brackets, Cover and Side burner Assembly installed
- (1) Kit Shelf Left
  - (1) Shelf Left Assy. w/Support Brackets

Figure 3

### Left Side Shelf

Loosen two (2) screws on the support front of the left shelf assembly.

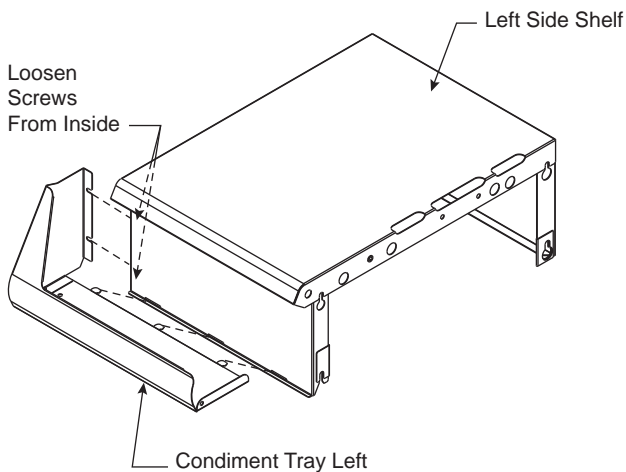
Slide the front condiment tray into the gap between front support and the side panel as shown.

Tighten the two (2) screws loosened earlier.

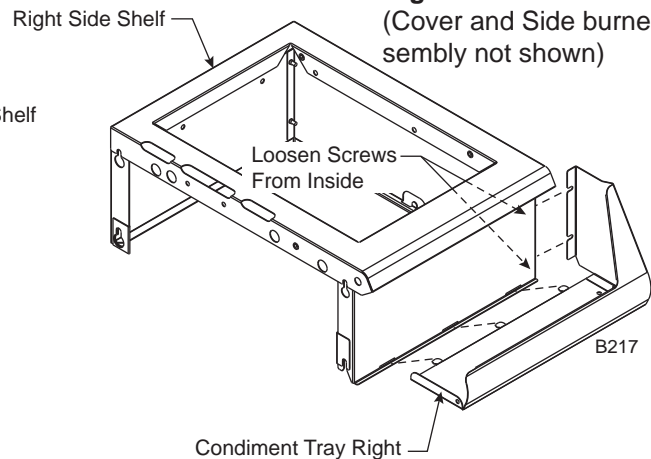
Repeat for right side shelf.

Figure 3

### Left Side Shelf Assembly



### Right Side Shelf Assembly (Cover and Side burner assembly not shown)





## Step 6: Attach Paper Match Holder

### Parts Required:

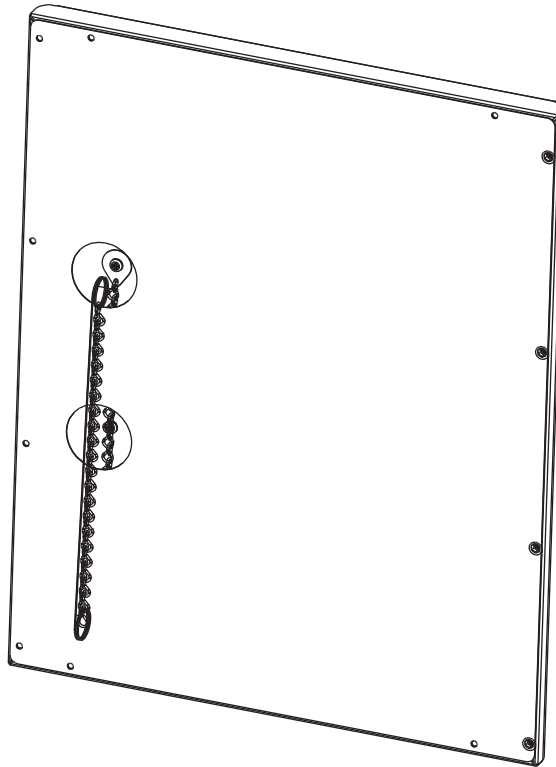
(1) Paper Match Holder Assembly

### Figure 4

Attach the supplied paper match holder and chain assembly to the inside of the cart door.

Secure chain assembly to top screw of door handle. Store chain inside door when not in use.

**Figure 4**



**NOTE:** Some models may already have the match holder attached.

B506

## Step 7: Attach Right Shelf Assembly to Grill

### Parts Required:

#### Right Shelf Assembly

- (1) Right Shelf Assy. (Step 4)
- (4) 1/4-20 x 1/2" Screws (30005405)
- (2) #10-24 x 1/2" Screws (50000337)

### Figures 5 & 6

Loosely screw in (4-5 turns) four (4) 1/4-20 x 1/2" screws to the side of the grill.

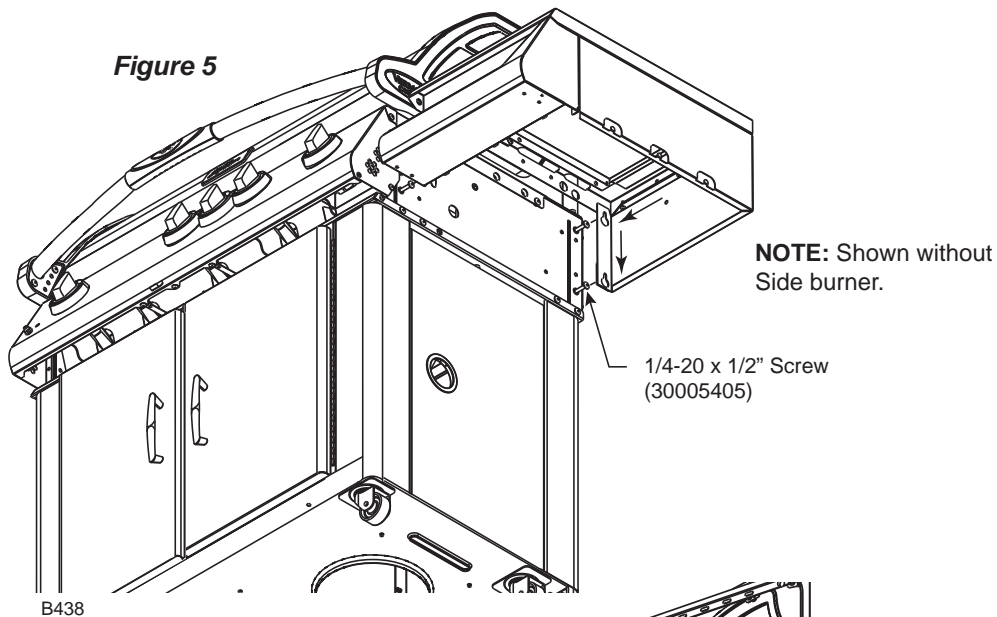
Place right shelf assembly onto screws.

**NOTE:** Ensure the side burner ignitor wire is not pinched as the shelf assembly is installed into the unit.

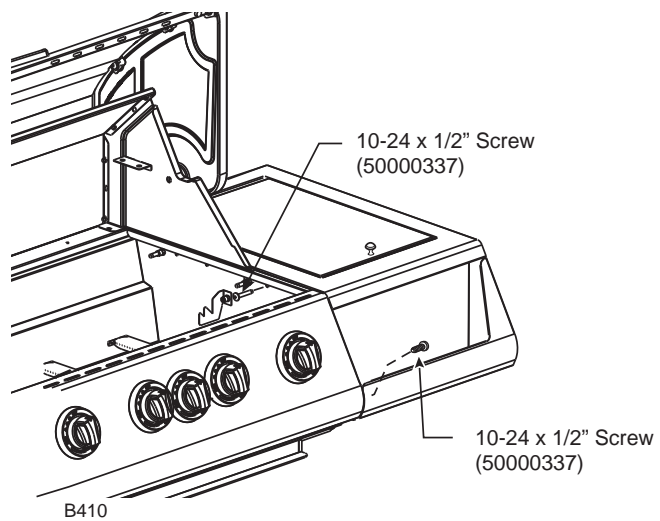
Secure (tighten) four (4) screws to the grill.

Secure condiment tray to the console with one (1) #10-24 x 1/2" screw.

From inside grill, attach 10-24 x 1/2" screw to the right shelf assembly.



**Figure 6**



## Step 8: Attach Left Shelf Assembly to Grill

### Parts Required:

#### Left Shelf Assembly

- (1) Left Shelf Assy. (Step 5)
- (4) 1/4-20 x 1/2" Screws (30005405)
- (2) #10-24 x 1/2" Screw (50000337)

### Figure 7

Loosely screw in (4-5 turns) four (4) 1/4-20 x 1/2" screws to the side of the grill.

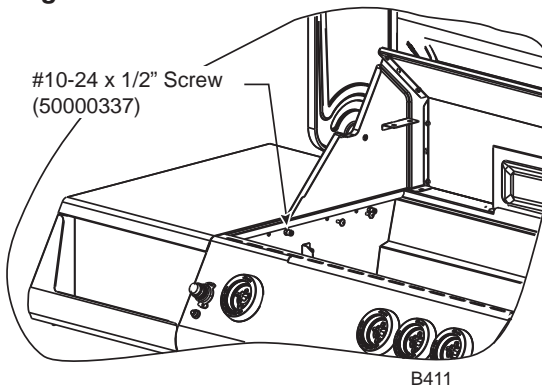
Place left shelf assembly onto screws.

Secure (tighten) four (4) screws to the grill.

Secure condiment tray to the console with one (1) #10-24 x 1/2" screws.

From inside grill, attach 10-24 x 1/2" screw to the left shelf assy.

**Figure 7**



## Step 9: Attach Towel Bars, Utensil Hooks and Spit Rod Storage Brackets

### Parts Required

#### Left Side

- (1) Towel Bar
- (3) Utensil Hooks
- (4) #10-24 x 1/2" Screws (50000337)

#### Right Side

- (1) Towel Bar
- (4) #10-24 x 1/2" Screws (50000337)

#### Spit Rod Storage Bracket

- (2) Brackets

### Towel Bars and Utensil Hooks

Figure 8

Slide three (3) utensil hooks into the towel bar. (Left side only)

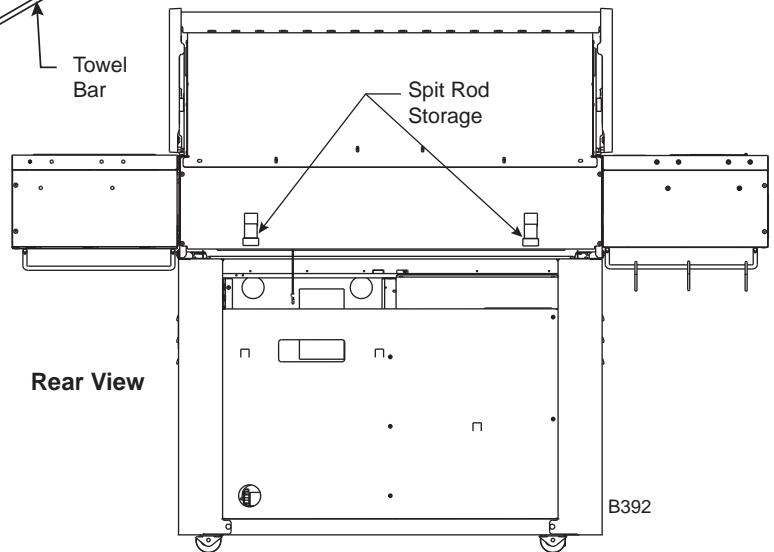
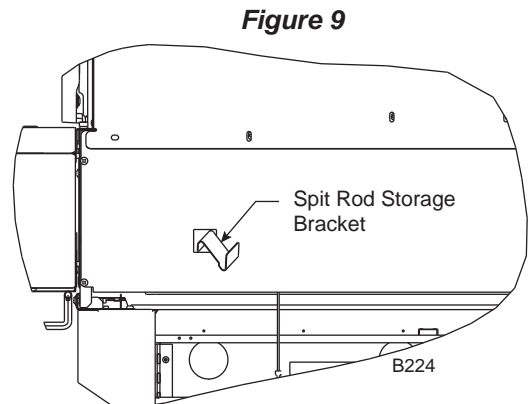
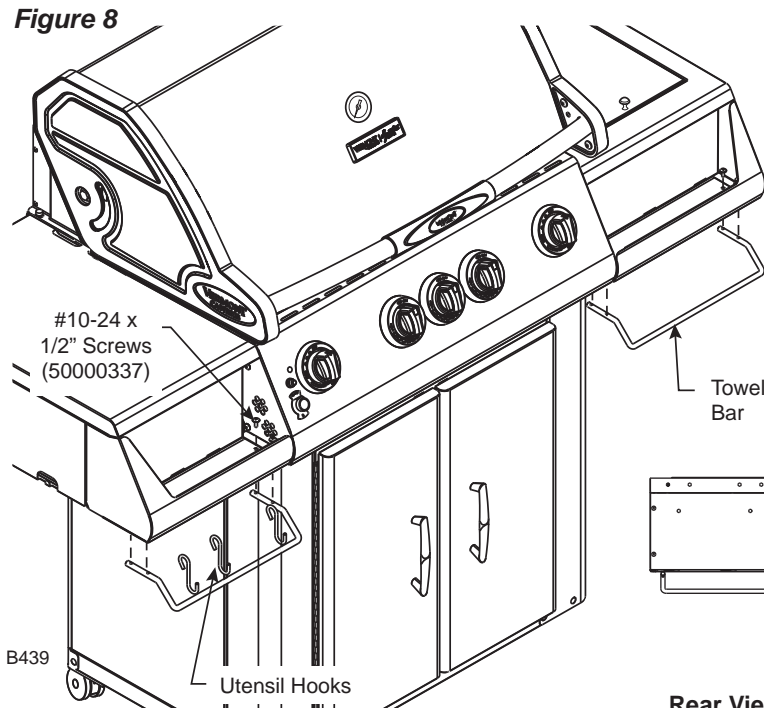
Attach towel bar with utensil hooks to left side condiment tray as shown using four (4) #10-24 x 1/2" screws.

Attach towel bar without utensil hooks to right side condiment tray.

### Spit Rod Storage Brackets

Figure 9

The spit rod storage brackets are located on the back upper panel of the grill.



## Step 10: Attach Side Burner Assembly

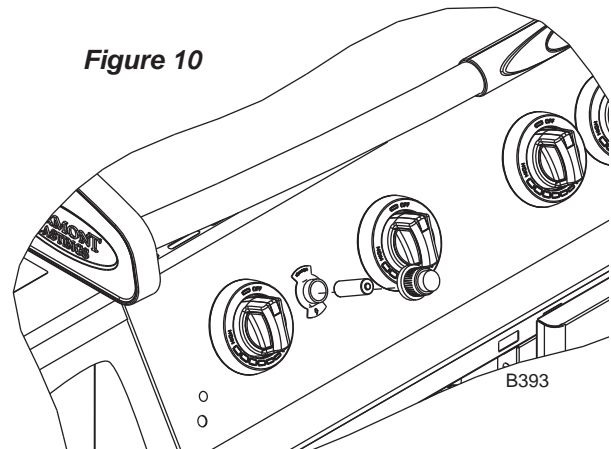
Follow Side Burner Assembly Instructions to assemble Side Burner to unit.

## Step 11: Install the Ignitor Battery

*Figure 10*

Unscrew the ignition button from the console and insert the appropriate battery into the housing. Then screw the ignition button back into the console.

Check for sparks under each main burner before proceeding.



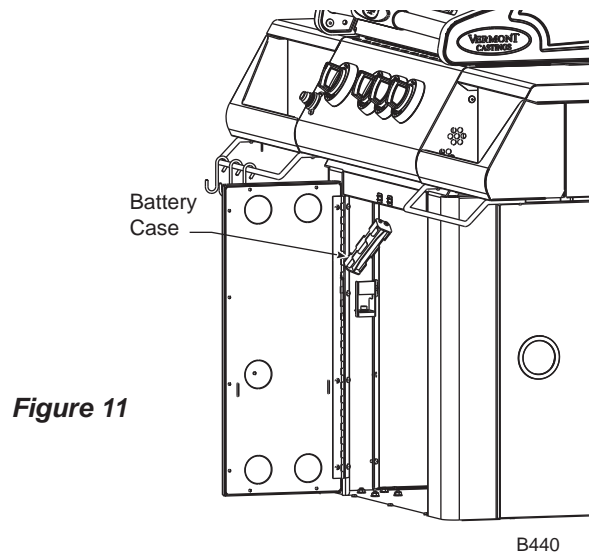
## Step 12: Install the Backlighting Batteries

**NOTE:** Eight (8) “AA” batteries are required for all grill models. (Not included)

*Figures 11*

Remove the battery case from the battery holder. Insert the eight (8) “AA” batteries. Attach battery case to back light wire connection. Reinstall battery case in battery holder with back light connector on the top.

**WARNING:** Replacing the battery incorrectly might result in an explosion. Replace the battery only with the same or equivalent type recommended by the manufacturer. Dispose of used batteries according to your local environmental guidelines.



## Step 13: Install the Internal Components

### Parts Required:

<b>VCS325 Series</b>	(3) Sear Plates (2) Cooking Grates (1) Warming Rack (1) Smoker Box Assy (Optional)	<b>VCS425 Series</b>	(4) Sear Plates (3) Cooking Grates (1) Warming Rack (1) Smoker Box Assy (Optional)	<b>VCS525 Series</b>	(5) Sear Plates (4) Cooking Grates (1) Warming Rack (1) Smoker Box Assy (Optional)
----------------------	---	----------------------	---	----------------------	---

Figures 12, 13 & 14

Carefully place each of the sear plates side by side inside the barbecue. (Fig. 12) Make sure the semicircular finger groove is facing toward the back of the grill. Each sear plate rests just above each burner tube.

**NOTE:** Place the smoker box assembly on any sear plate by laying the bracket over the sear plate so the 'z' ends of the bracket fit into the 'z' slots of the sear plate. Slide the smoker box assembly back into the locked position. (Fig. 13) Continue placing the remaining sear plates. The smoker box may be left in place when not being used. **CAUTION:** Only add wood chips to the smoker box when grill is cool.

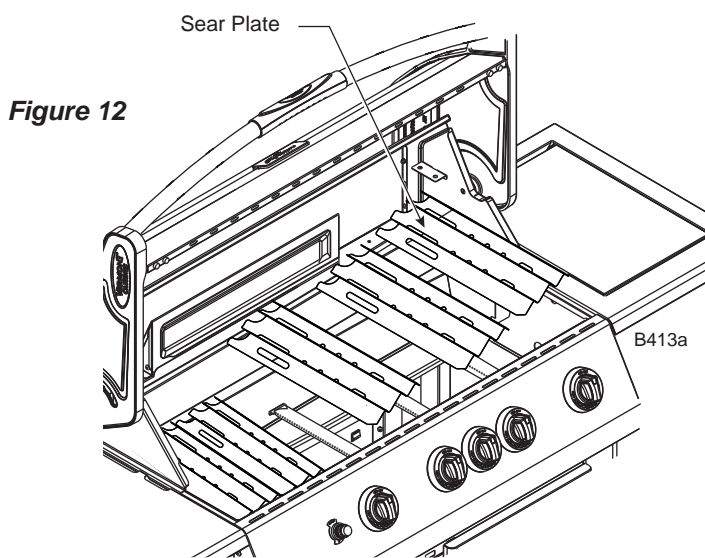


Figure 12

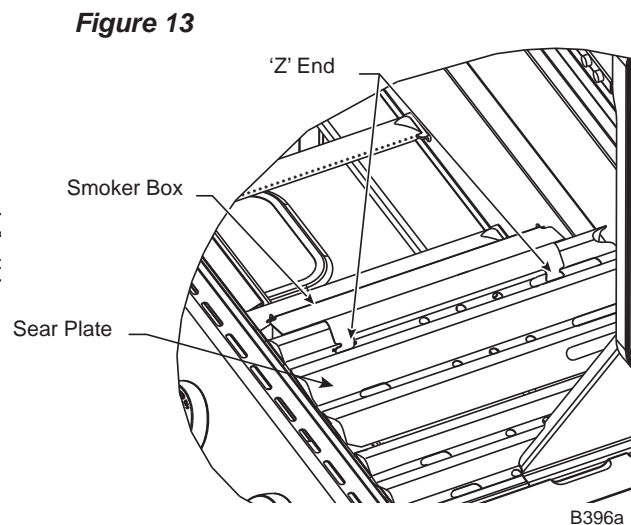


Figure 13

### Cooking Tips - Smoker Box (Optional)

- To produce more smoke and prevent fast burning, pre-soak the wood chips in a separate bowl of water for at least 20 minutes.
- To add wood chips before cooking, fill the smoker box with your choice of flavored chips (remove wood chips from water first). The amount and type of wood you use is entirely up to you. Once the box is filled with the desired amount, close the lid and place the cooking grids in the proper position on the grill.
- Tips: Small wood chips work best inside the wood chip box.
- Allow grill to heat up before placing your food on the grill. This will allow time for the wood chips to begin to smoke.
- Do not use resinous woods such as pine or plywood. These will produce an unpleasant flavor.
- Do not try to add more wood chips while cooking. It is recommended that you allow grill to cool before replacing wood chips or handling the cooking grates which may still be hot.

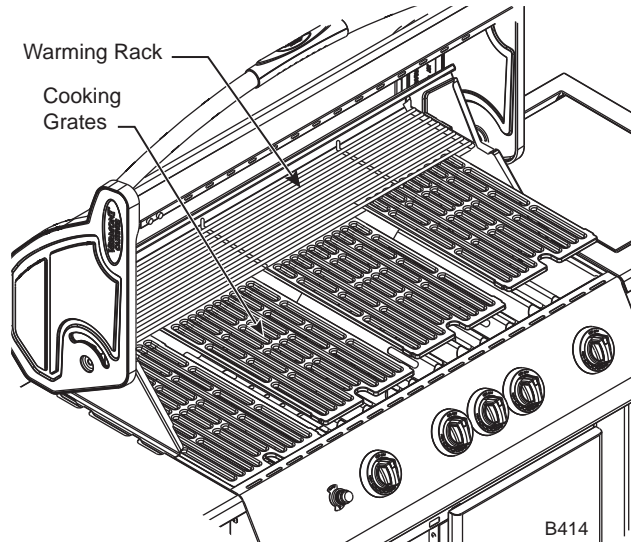
**Step 13: Install the Internal Components (continued)**

Set the cooking grates, side by side, on the upper ledge of the grill tub. (Fig. 14) Make sure the finger groove is facing toward the front of the grill.

Set the warming rack into the supports located on either side of the rear lid.

**CAUTION:** Do not attempt to turn the cooking grates over while the grill is in use and the grates are hot. Doing so could result in severe burns and other injuries.

**Figure 14**



## Step 14: Install the LP Cylinder (LP Models ONLY)

### Parts Required:

- (1) LP Gas Cylinder (not included)

Figures 15, 16

**NOTE:** Check your User's Manual for the cylinder filling requirements, how to attach the regulator and how to test for leaks before you try lighting the grill.

**CAUTION:** Make sure the hose is not touching any hot or sharp surfaces.

Place the LP cylinder into the hole in the tank pull out. Secure the cylinder from moving by tightening the thumb screws provided with the tank pull out assembly. (Figures 15 & 16)

The final step is to connect the regulator to the cylinder.

**CAUTION:** Do not turn on/ignite the grill until after performing a leak check at all gas connection points and fittings. With the main LP cylinder valve OPEN, and ALL CONTROL KNOBS FULLY OFF, use a spray solution of 50% liquid soap and 50% water onto all gas connection points and fittings. The formation of bubbles indicates an air leak that must be repaired and verified with this leak test before the grill is ignited.

**NOTE:** Ensure all plastic coatings have been removed from all stainless steel parts before using the grill.

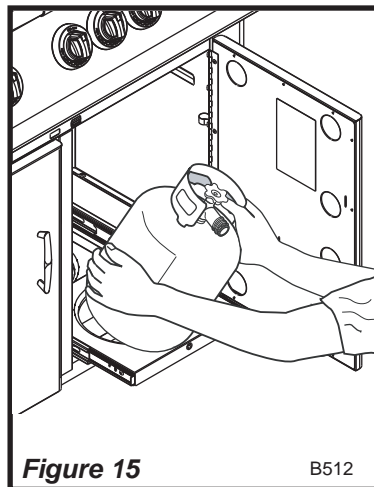


Figure 15

B512

**NOTE:** Typical model shown. Some models may have different construction.

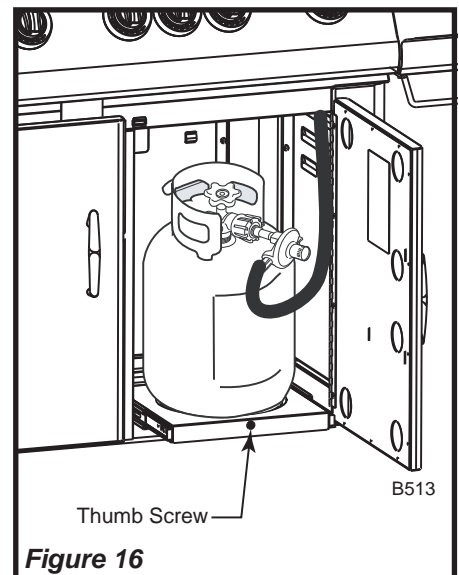


Figure 16

Thumb Screw

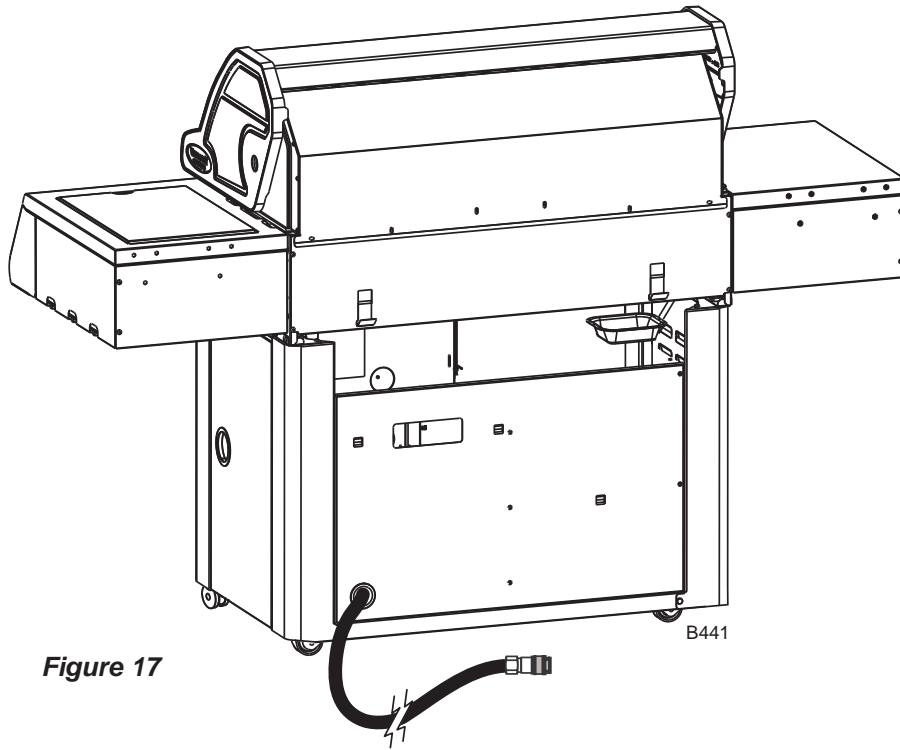
B513



**Step 15: Install the Natural Gas Hose  
(Natural Gas (NG) Models ONLY)**

*Figure 17*

Run natural gas hose through bushing provided in back panel of grill.



## Step 16: Install Shelf Light

### Parts Required:

- (1) Cook Light
- (3) #10-24 x 1/2" Screws (50000337)

Figures 18, 19, 20

Attach the cook light to the side shelf using three (3) screws provided with kit. (Fig. 18)

### Battery Installation (3 "AA" alkaline batteries required, not included.)

Open the battery cap by turning the cap counterclockwise as shown in Figure 19. Insert the batteries into the battery compartment according to the layout in Figure 19. Replace battery cap.

### Operating Instructions

To turn the light ON and OFF, press the ON/OFF button located on the back of the cook light. (Fig. 19)

To adjust the cook light, simply move the flexible arm as desired to achieve the best lighting for your task.

After use, allow the light and grill to cool completely. Place the light face down on the shelf after use and for storage. (Fig. 20) Replace the grill cover. If a grill cover is not used, the light should be removed when not in use as rain, snow, etc. could damage the light.

**WARNING: The light may get hot when in close proximity to the grill surface. Do not touch the light lens when in operation. Allow it to cool.**

**WARNING: Keep the light away from flammable materials.**

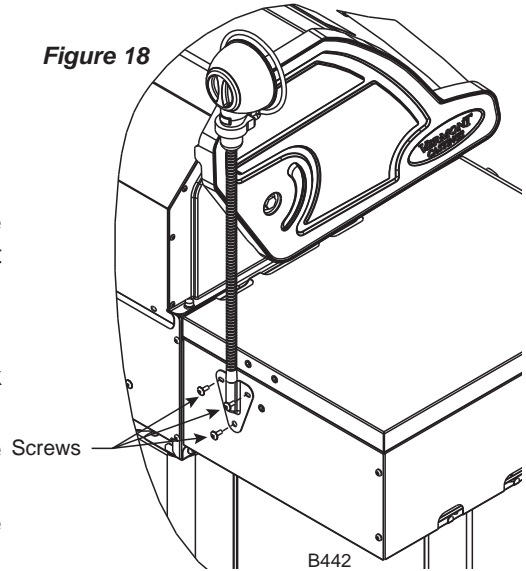
**CAUTION: Do not move the cook light directly over the cooking area when the grill is on, as this may damage the cook light.**

**NOTE:** The light will not work until the batteries are installed.

**NOTE:** For optimum battery life and to avoid damage to the light, we recommend you retract and turn off the light when not in use.

**WARNING:** Replacing the battery incorrectly might result in an explosion. Replace the battery only with the same or equivalent type recommended by the manufacturer. Dispose of used batteries according to your local environmental guidelines.

Figure 18



To Open Battery Cap

Figure 19

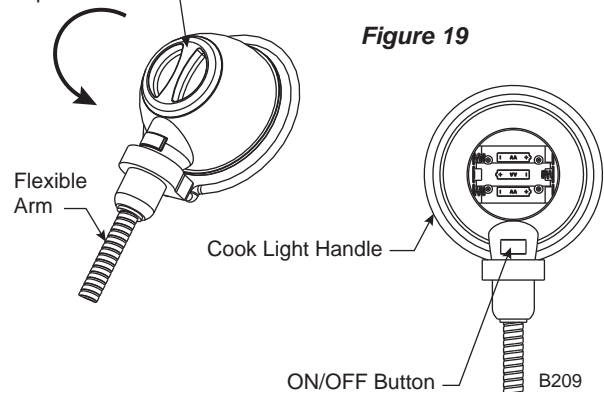
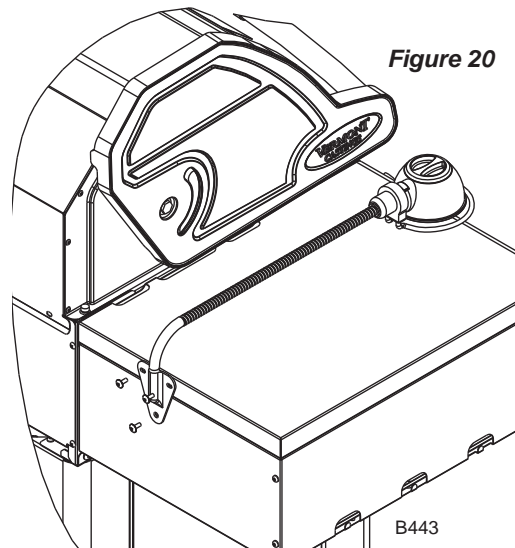


Figure 20



## Step 17: Rotisserie Setup (if equipped)

Refer to the User's Manual provided with the grill.





149 Cleveland Drive • Paris, Kentucky 40361  
[www.vermontcastingsgroup.com](http://www.vermontcastingsgroup.com)