

**Versa Center Series**  
VC 24", 36" 48", 60" & 72"

**Assembly Instructions**



How can we improve our assembly instructions?  
Your comments and suggestions are important to us.  
Please e-mail us at: [support@versatables.com](mailto:support@versatables.com).



Lifetime Warranty



Quantity Discounts



Assembled in USA



Fast Shipping

50mm Furniture Bolt



Qty:8

20mm Furniture Bolt



Qty: 6 for 24"  
Qty: 18 for 36", 48", 60" & 72"

1/4 - 20 Phillips Head Bolt



Qty:4

Leveler / Glider



Qty:4

Cable Grommet



Qty:1 for 24", 36" & 48"  
Qty:3 for 60" & 72"

4mm & 8mm Allen Wrench



Qty:1

Caster & Caster with Lock



Qty:4

Zip Tie & Curly Tie



Qty:5

Main Work Surface  
24", 36", 48", 60", 72" X 24" D



Qty:1

Upper Shelf Platform  
24", 36", 48", 60", 72" X 24" D

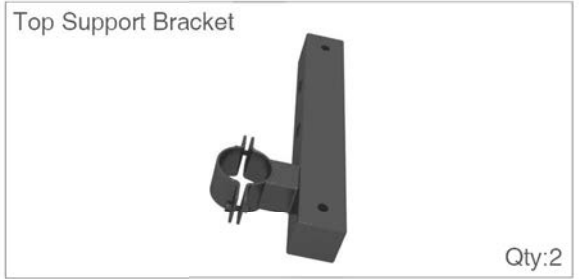
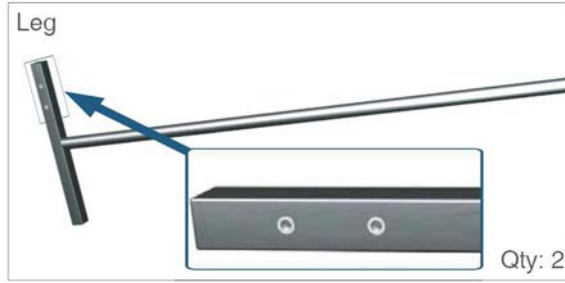


Qty:1

Utility Platform  
24" X 12" D

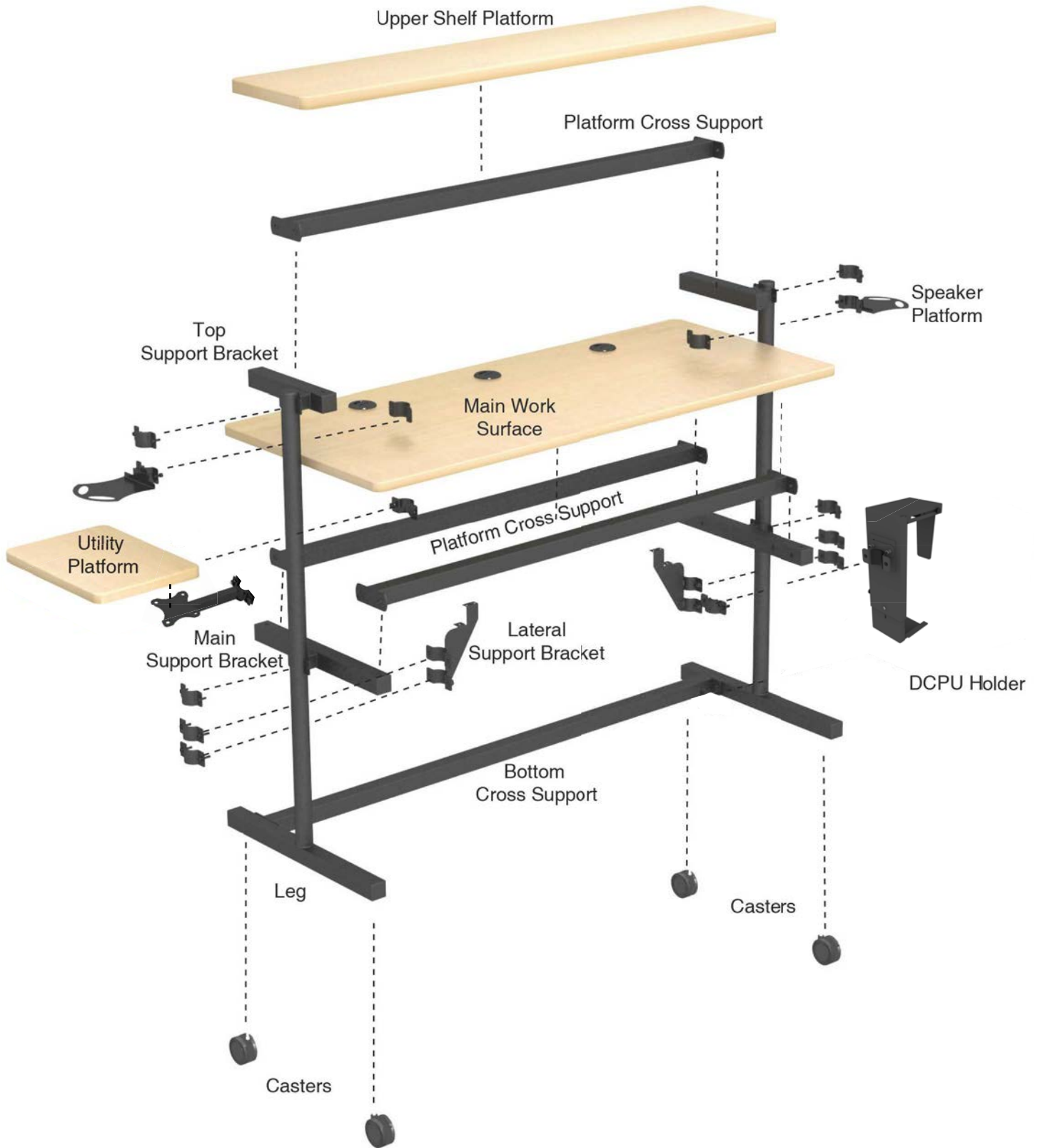


Qty:1



## NOT INCLUCED for Versa Center 24"





### Step 1

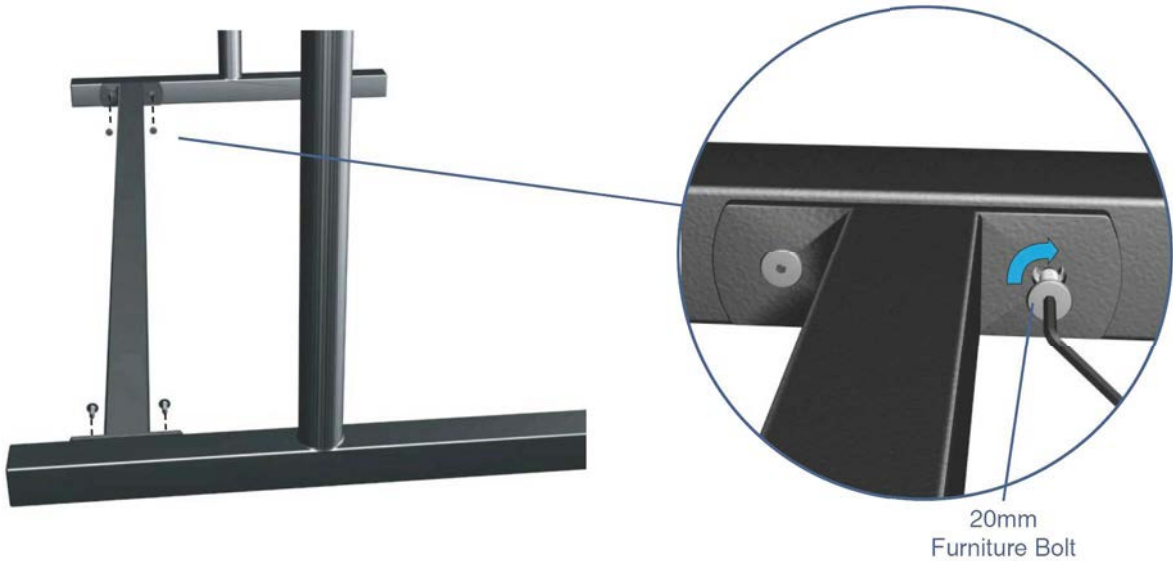
### Bottom Cross Support

Attach Bottom Cross Support to Legs using (2) 20mm Furniture Bolts on each side.

20mm  
Furniture Bolt



Qty:4



20mm  
Furniture Bolt

### Step 2

### Levelers-Gliders

Attach either Casters or Levelers/Gliders to increase stability.



Back

Front

Place Locking Casters  
in Front

### Step 3

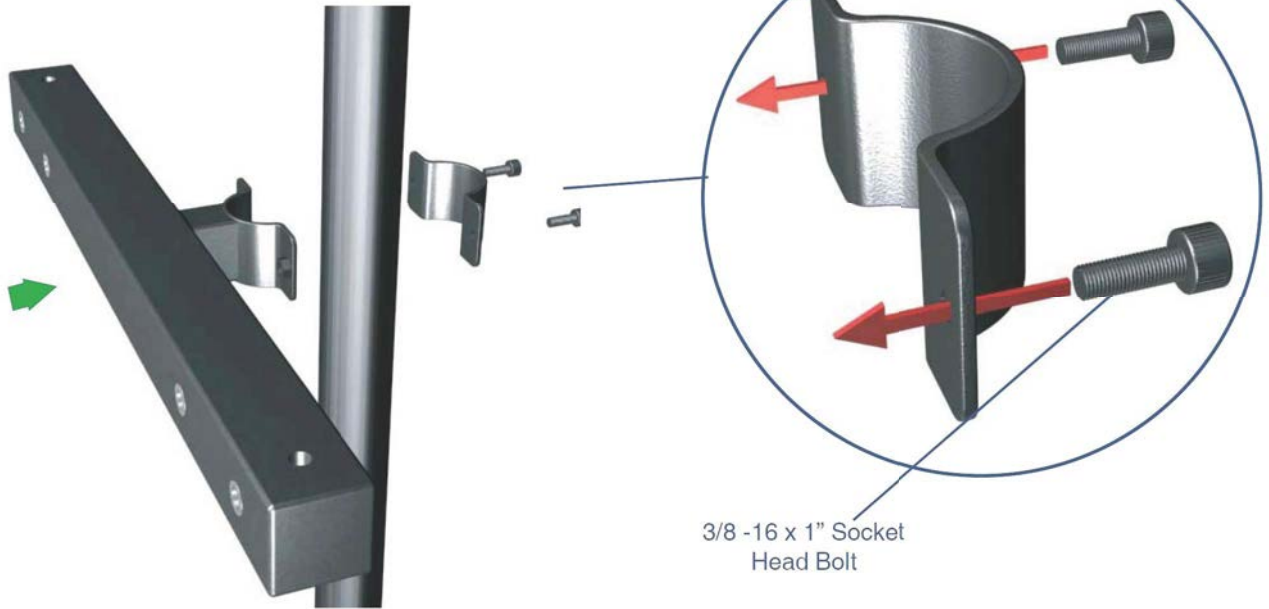
### Main Support Brackets

Place the Main Support Brackets at whatever height you would prefer. Usually this is accomplished by measuring up from the Leg.

3/8 -16 x 1"  
Socket Head Bolt



Qty:4



### Step 4

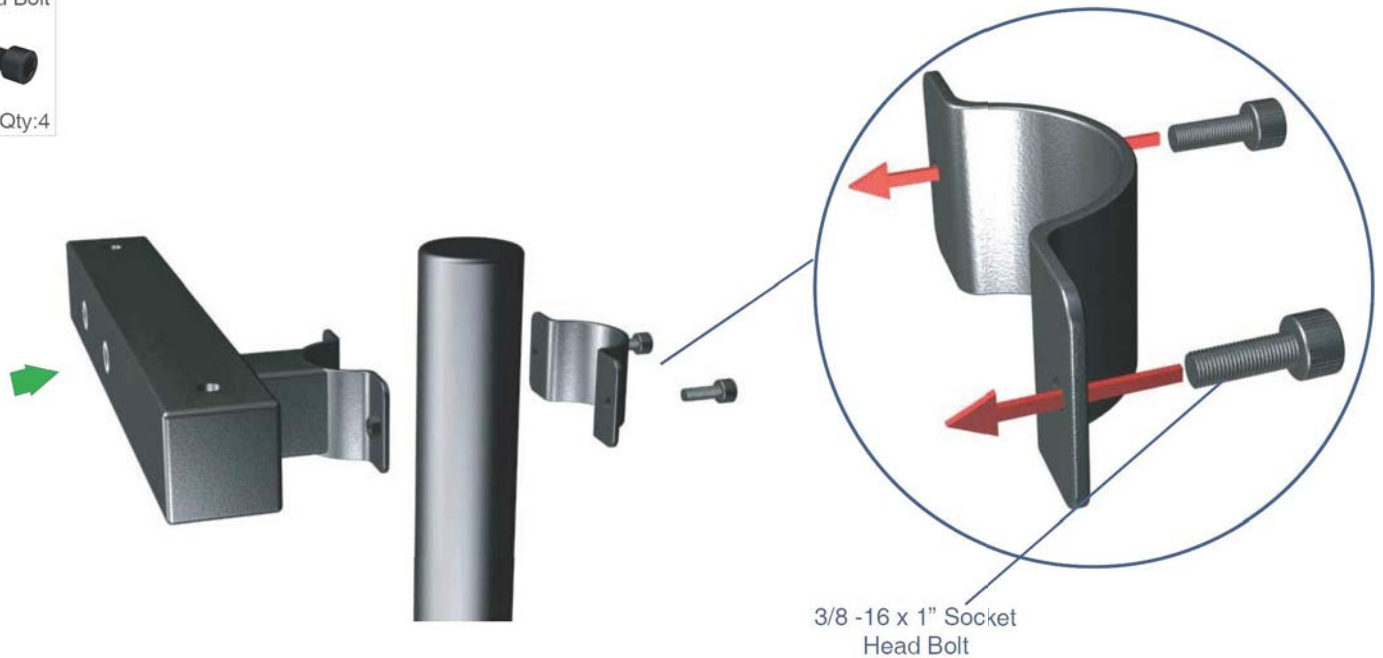
### Top Support Brackets

Attach Top Support Brackets to Legs.

3/8 -16 x 1"  
Socket Head Bolt



Qty:4



## NOTE: For Versa Center 24" skip to step 6

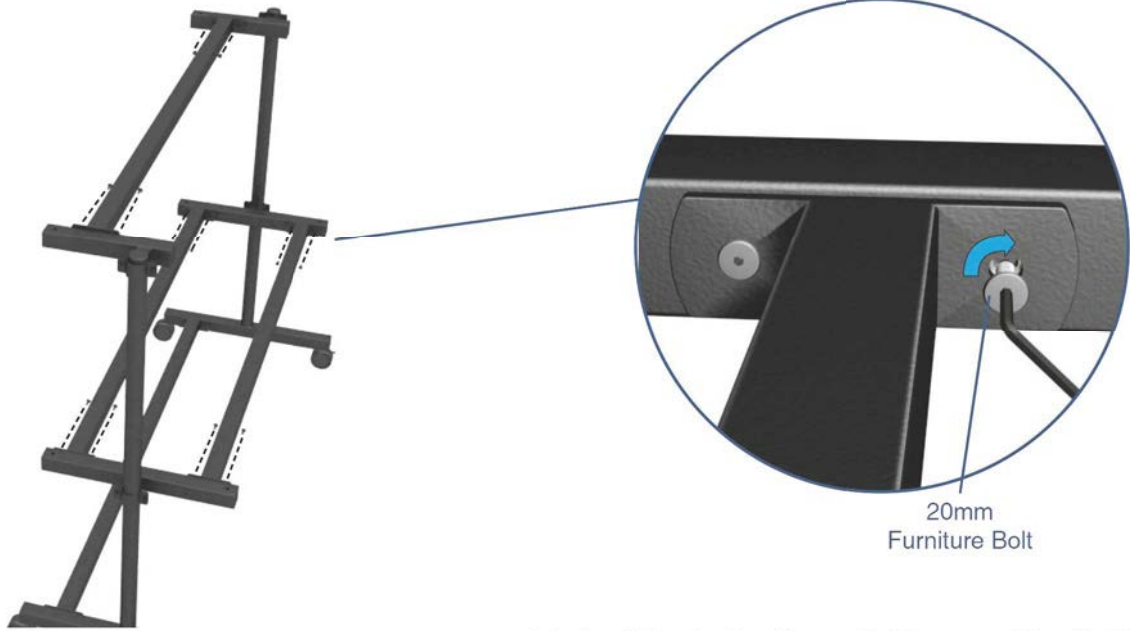
### Step 5

Secure (2) Platform Cross Supports to the Main Support Brackets and (1) Platform Cross Support to the Top Support Bracket using (2) 20m Furniture Bolts on each side.

20mm Furniture Bolt



Qty:12



20mm Furniture Bolt

### Step 6

### Main Work Surface & Upper Shelf Platform

Attach the Main Work Surface and Upper Shelf Platform to the previously constructed structure using (8) 50mm Furniture Bolts bolted through the frame and into the surfaces.

50mm Furniture Bolts



Qty:8



50mm Furniture Bolt

### NOTE: NOT For Versa Center 24"

### Lateral Support Brackets

#### Step 7

Attach Lateral Support Brackets to the Legs with the clamp brackets. Place bracket flushed to the surface and insert Wood Screws (2) per bracket.

3/8 -16 x 1" Socket Head Bolt

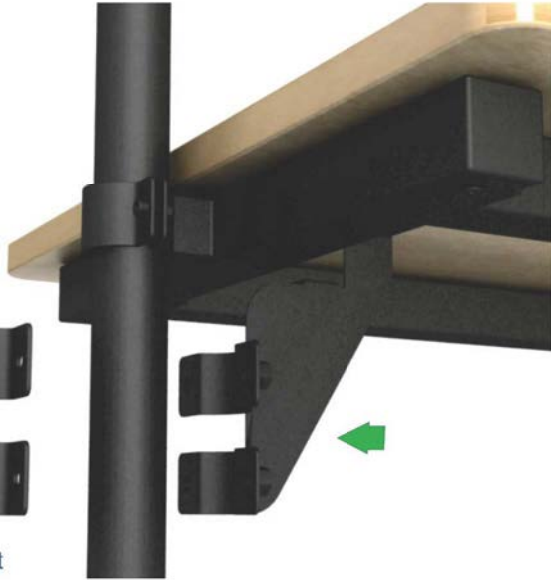


Qty:8

3/4" Phillips Pan Head Wood Screw



Qty:4



3/4" Phillips Pan Head Wood Screw



3/8 -16 x 1" Socket Head Bolt

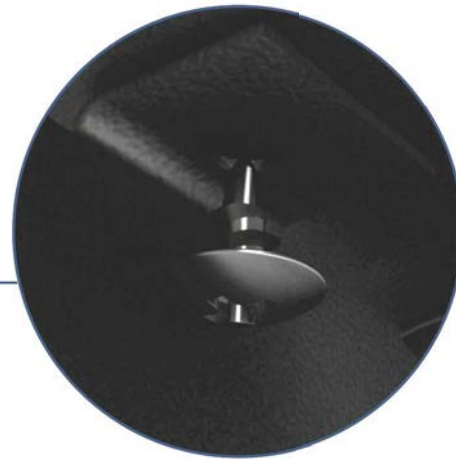
#### OPTIONAL STEP

Attach Self Tapping Screws into the frame. Please use a drill with the self tapping screw to complete this step.

Self Tapping Screw



Qty:2





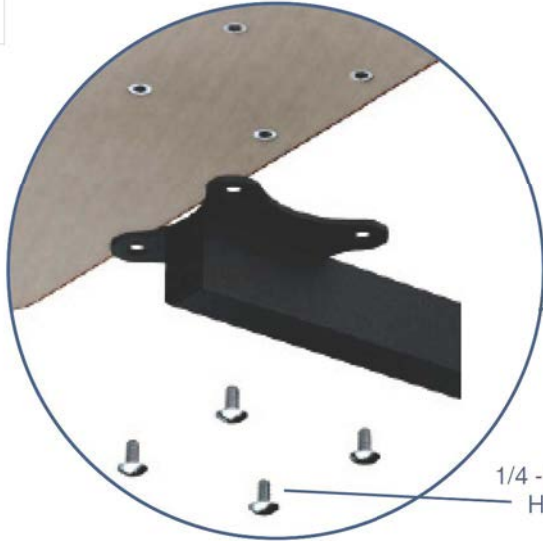
## Step 8

Attach the Utility Platform to Utility Bracket using (4) 1/4-20 Phillips Head Bolts.

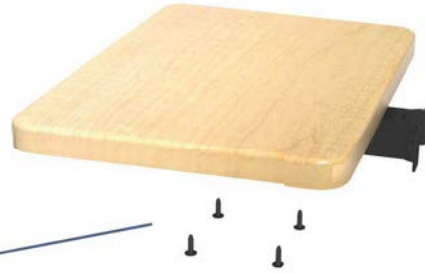
1/4-20 Phillips Head Bolt



Qty:



1/4 - 20 Phillips Head Bolt



## Step 9

Attach the Utility Bracket to the Legs at the desired height/side using (1) Clamp Bracket and (2) 3/8-16 x 1" Socket Head Bolts.

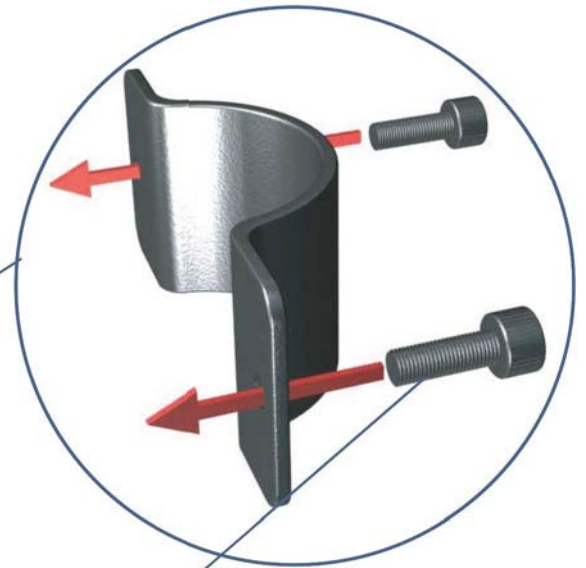
3/8 -16 x 1" Socket Head Bolt



Qty:4



3/8 -16 x 1" Socket Head Bolt



### Step 10

Attach mount bracket to CPU holder

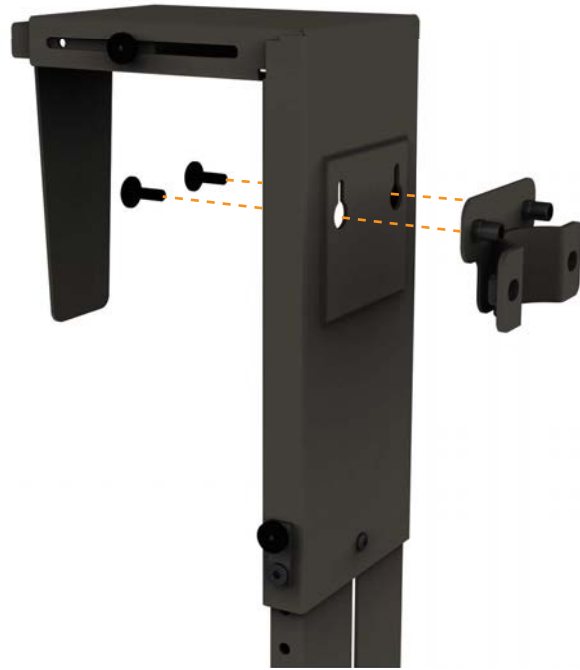
Use (2) 20mm Furniture Bolts.

20mm Furniture Bolt



Qty: 2

**NOTE:** If necessary, loosen the two stoppers and lower bottom piece to expose the mounting holes



### Step 11

Attach CPU Holder At the desired Height.

Use (1) Clamps and (2) 3/8 1/6 x 1" Socket Head Bolts.

Clamp



Qty: 1

3/8 1/6 x 1" Socket Head Bolt



Qty: 2

Clamp Bushing



Qty: 2



### Step 12 — Attach Velcro Pads to both your CPU and CPU Holder.

Once in place, adjust Holder and tighten Thumb Nuts to keep CPU secure.

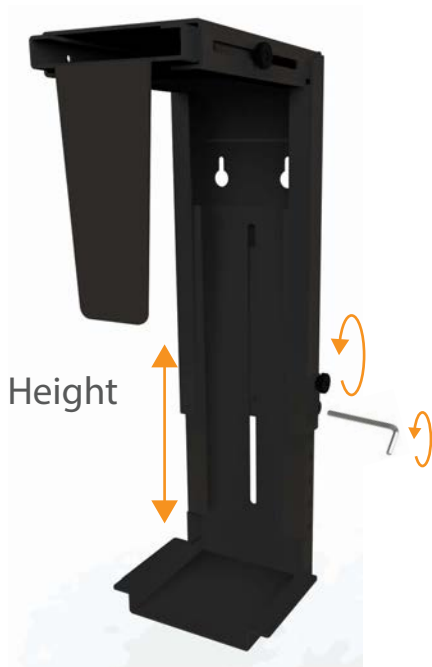
Velcro Pads



Qty: 2



## CPU holder Adjustability



### Step 13

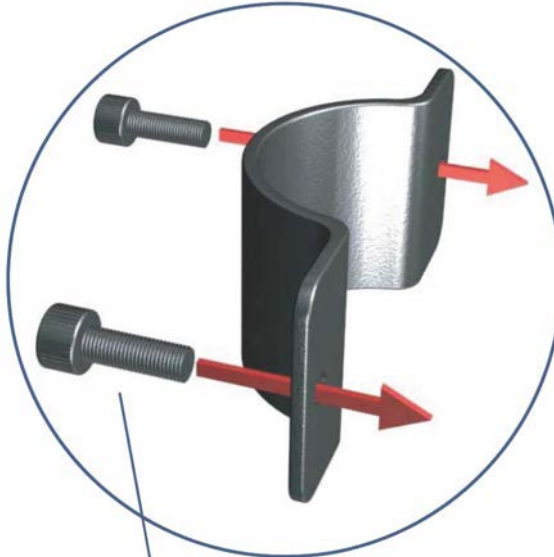
### Speaker Platforms

Attach Speaker Platforms using (2) 3/8-16 x 1" Socket Head Bolts on each Platform.

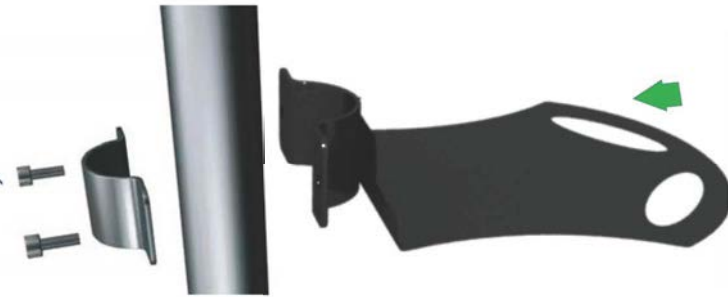
3/8 -16 x 1"  
Socket Head Bolt



Qty:4



3/8 -16 x 1" Socket  
Head Bolt



## Parts List:



Monitor Rack Rail



Rail Support Bracket



Monitor Arm Assembly

3/8-16 x 1"  
Socket Head Bolt

20mm Furniture Bolt

## Assembly

- Step 1:** Place **Monitor Rack Rail** between the two **Rail Support Brackets** and fasten. Adjust **Rail Support Brackets** if necessary.



## Tools (Provided)



4mm Allen Wrench

## Hardware



20mm Furniture Bolt

- Step 2:** Fasten **Rail Support Bracket** on the side frame. **Rail Support** should face inward and to the rear. Do the same on other side frame.



## Tools (Provided)



8mm Allen Wrench

## Hardware



Clamp Bracket

## Hardware

3/8-16 x 1"  
Socket Head Bolt

**Step 3:** Remove clamp, screw, and t-knob from **Monitor Arm Assembly**. Place assembly on **Monitor Rack Rail** and re-attach removed parts.



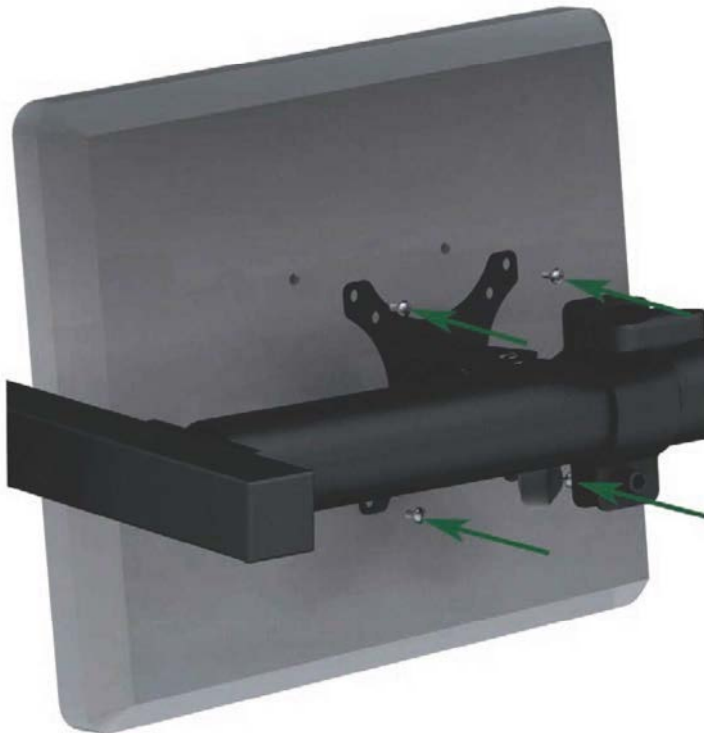
Tools (Provided)



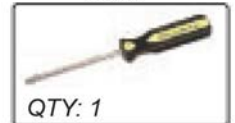
QTY: 1

1/4" Allen Wrench

**Step 4:** Mount your monitor to the **Monitor Arm Assembly**. Repeat Steps 3 and 4 for any other **Monitor Arm Assemblies**.



Tools



QTY: 1

Phillips Screwdriver

Hardware (Provided)



How can we improve our assembly instructions?  
Your comments and suggestions are important to us.  
Please e-mail us at: [support@versatables.com](mailto:support@versatables.com).