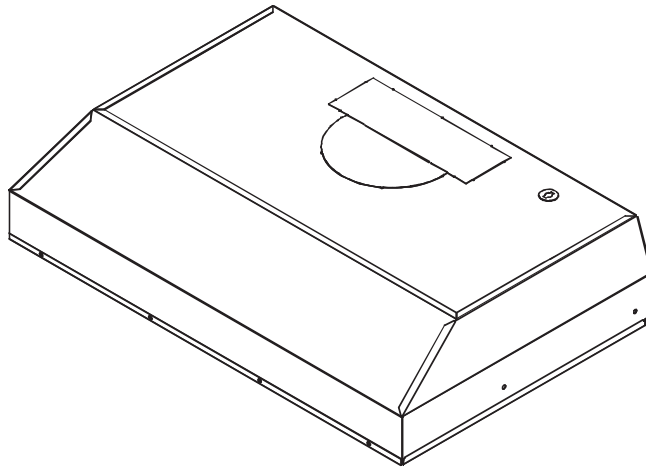


# Use, Care, and Installation Guide

## Monsoon Mini

AK9128AS

AK9134AS



Model number: \_\_\_\_\_

Serial Number: \_\_\_\_\_

Date of Purchase: \_\_\_\_\_

Sales Dealer: \_\_\_\_\_





**SAFETY NOTICE**..... 2-3

**LIST OF MATERIALS**..... 4

**INSTALLATION**

    Ducting Calculation Sheet..... 5

    Mounting Height & Clearance..... 6

    Ducting Options..... 7

    Specifications..... 8

    Electrical..... 9

    Cabinet Preparation & Installation..... 10

    Ducting Preparation..... 11

    Recirculation Option..... 12

**FEATURES & CONTROLS**

    Slide Controls..... 13

**MAINTENANCE**

    Cleaning and Installing Filters..... 14

    Lights..... 15

**TROUBLESHOOTING**..... 16

**WIRING DIAGRAMS**..... 17

**LIST OF PARTS AND ACCESSORIES**..... 18

**WARRANTY**..... 19

**PRODUCT REGISTRATION**..... 20

**Important Safety Notice**

**WARNING**

TO REDUCE THE RISK OF FIRE OR ELECTRIC SHOCK, DO NOT USE THIS FAN WITH ANY SOLID-STATE CONTROL DEVICE.

**WARNING**

TO REDUCE THE RISK OF FIRE ELECTRIC SHOCK, OR INJURY TO PERSONS, OBSERVE THE FOLLOWING:

- a. Use this unit only in the manner intended by the manufacturer, if you have questions, contact the manufacturer.
- b. Before servicing or cleaning unit, switch power off at service panel and lock panel to prevent power from being switched on accidentally. When the service disconnecting means cannot be locked, securely fasten a prominent warning device, such as a tag, to the service panel.

**CAUTION**

For general ventilating use only. Do not use to exhaust hazardous or explosive materials and vapors. Take care when using cleaning agents or detergents. Suitable for use in household cooking area.

**WARNING**

TO REDUCE THE RISK OF RANGE TOP GREASE FIRE:

- a. Never leave surface units unattended at high settings. Boilovers cause smoking and greasy spillovers that may ignite. Heat oils slowly on low or medium settings.
- b. Always turn hood ON when cooking at high heat or when flaming food
- c. Clean ventilating fans frequently. Grease should not be allowed to accumulate on fan or filter.
- d. Use proper pan size. Always use cookware appropriate for the size of the surface element.
- e. Keep fan, filters and grease laden surfaces clean.
- f. Use high setting on hood only when necessary.
- g. Don't leave hood unattended when cooking.
- h. Always use cookware and utensils appropriate for the type of and amount of food being prepared.

**WARNING**

TO REDUCE THE RISK OF INJURY TO PERSONS IN THE EVENT OF A RANGE TOP FIRE, OBSERVE THE FOLLOWING:

- a. SMOTHER FLAMES with a close-fitting lid, cookie sheet, or metal tray, then turn off the burner. BE CAREFUL TO PREVENT BURNS. If the flames do not go out immediately, EVACUATE AND CALL THE FIRE DEPARTMENT.
- b. NEVER PICK UP A FLAMING PAN – You may be burned.
- c. DO NOT USE WATER, including wet dishcloths or towels – a violent steam explosion will result.
- d. Use an extinguisher ONLY if:
  - 1. You know you have a Class ABC extinguisher, and you already know how to operate it.
  - 2. The fire is small and contained in the area where it started.
  - 3. The fire department is being called.
  - 4. You can fight the fire with your back to an exit

**WARNING**

TO REDUCE THE RISK OF FIRE, ELECTRIC SHOCK OR INJURY TO PERSONS, OBSERVE THE FOLLOWING:

- a. Installation work and electrical wiring must be done by qualified person(s) in accordance with all applicable codes and standards. Including fire-rated construction.
- b. Sufficient air is needed for power combustion and exhausting of gases through the flue (chimney) of fuel burning equipment to prevent back-drafting. Follow the heating equipment manufacturer's guideline and safety standards such as those published by the National Fire Protection Association (NFPA) and the American Society for Heating, Refrigeration and Air Conditioning Engineers (ASHRAE) and the local code authorities.
- c. When cutting or drilling into wall or ceiling, do not damage electrical wiring and other hidden utilities.
- d. Ducted fans must always vent to the outdoors.
- e. NEVER place a switch where it can be reached from a tub or shower.
- f. Make sure the power is off before installing, wiring or maintenancing.

**WARNING**

TO REDUCE THE RISK OF FIRE, USE ONLY METAL DUCTWORK.  
NOT FOR USE OVER AN OUTDOOR GRILL

**CAUTION**

To reduce risk of fire and to properly exhaust air outside - Do not vent exhaust air into spaces within walls, ceilings, attics, crawl spaces or garages.

**OPERATION**

Always leave safety grilles and filters in place. Without these components, operating blowers could catch onto hair, fingers and loose clothing.

The manufacturer declines all responsibility in the event of failure to observe the instructions given here for installation, maintenance and suitable use of the product. The manufacturer further declines all responsibility for injury due to negligence and the warranty of the unit automatically expires due to improper maintenance.

**\*NOTE: Please check [www.zephyronline.com](http://www.zephyronline.com) for revisions before doing any custom work.**

**ELECTRICAL REQUIREMENTS**

**Important:**

Observe all governing codes and ordinances.

It is the customer's responsibility:

- To contact a qualified electrical installer.
- To assure that the electrical installation is adequate and in conformance with National Electrical Code, ANSI/NFPA 70 latest edition\* or CSA standards C22.1-94, Canadian Electrical Code, Part 1 and C22.2 No.0-M91 - latest edition\*\* and all local codes and ordinances.  
If codes permit and a separate ground wire is used, it is recommended that a qualified electrician determine that the ground path is adequate.

Do not ground to a gas pipe.

Check with a qualified electrician if you are not sure the range hood is properly grounded.

Do not have a fuse in the neutral or ground circuit.

\*National Fire Protection Association Batterymarch Park, Quincy, Massachusetts 02269

\*\* CSA International 8501 East Pleasant Valley Road, Cleveland, Ohio 44131-5575

This appliance requires a 120V 60Hz electrical supply and connected to an individual properly grounded branch circuit protected by a 15 or 20 ampere circuit breaker or time delay fuse. Wiring must be 2 wire with ground. Please also refer to Electrical Diagram on product.

**AK9128AS / AK9134AS - 177W, 1.5 Amps**

A cable locking connector (not supplied) might also be required by local codes. Check with local requirements, purchase and install appropriate connector if necessary.

# List of Materials

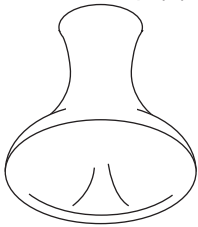
**MODELS:** AK9128AS AND AK9134AS

## PARTS SUPPLIED

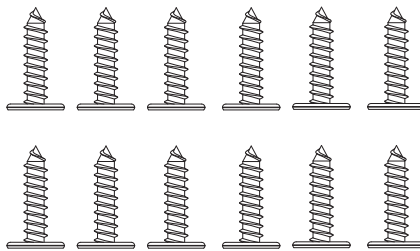
- 1 - Liner hood body
- 2 - Aluminum mesh filters
- 2 - Halogen light bulbs (pre-installed)
- 1 - 7" round adaptor
- 1 - 3 1/4" x 10" rectangular adaptor w/damper
- 1 - Hardware package

## HARDWARE PACKAGE CONTENTS

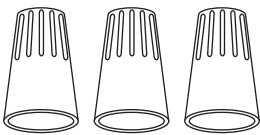
Light Bulb Removal  
Suction Cup (1)



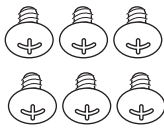
#8 x 1/2" (12)



Wire Caps (3)





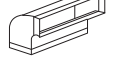






M4 x 6mm (6)








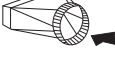



## PARTS NOT SUPPLIED

- Ducting, conduit and all installation tools
- Cable connector (if required by local codes)
- Recirculating kit

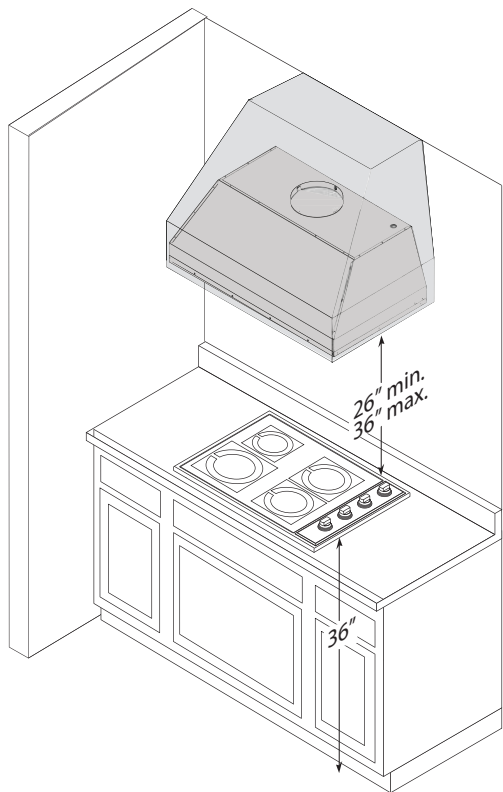
# Installation – Ducting Calculation Sheet

Duct pieces	Equivalent number length x used =	Total
 3-1/4" x 10" Rect., straight	1 Ft. x ( ) =	Ft.
 6", 7", 8", 10" Round, straight	1 Ft. x ( ) =	Ft.
 3-1/4" x 10" Rect. 90° elbow	15 Ft. x ( ) =	Ft.
 3-1/4" x 10" Rect. 45° elbow	9 Ft. x ( ) =	Ft.
 3-1/4" x 10" Rect. 90° flat elbow	24 Ft. x ( ) =	Ft.
 7" to 6" or 8" to 7" Round tapered reducer	25 Ft. x ( ) =	Ft.
 6", 7", 8" Round in-line damper	15 Ft. x ( ) =	Ft.
 6", 7", 8", 10" Round, 90° elbow	15 Ft. x ( ) =	Ft.
 6", 7", 8", 10" Round, 45° elbow	9 Ft. x ( ) =	Ft.
Subtotal column 1 =		Ft.

**Maximum Duct Length:** For satisfactory air movement, the total duct length should not exceed 100 equivalent feet.

Duct pieces	Equivalent number length x used =	Total
 3-1/4" x 10" Rect. to 6" round transition	5 Ft. x ( ) =	Ft.
 3-1/4" x 10" Rect. to 6" round transition 90° elbow	20 Ft. x ( ) =	Ft.
 6" round to 3-1/4" x 10" rect. transition	1 Ft. x ( ) =	Ft.
 6" round to 3-1/4" x 10" rect. transition 90° elbow	16 Ft. x ( ) =	Ft.
 7" round to 3 1/4" x 10" rect. transition	8 Ft. x ( ) =	Ft.
 7" round to 3-1/4" x 10" rect. transition 90° elbow	23 Ft. x ( ) =	Ft.
 3-1/4" x 10" Rect. wall cap with damper	30 Ft. x ( ) =	Ft.
 6", 7", 8", 10" Round, wall cap with damper	30 Ft. x ( ) =	Ft.
 6", 7", 8", 10" Round roof cap	30 Ft. x ( ) =	Ft.
Subtotal column 2 =		Ft.
Subtotal column 1 =		Ft.
Total ductwork =		Ft.

# Installation – Mounting Height & Clearance



## DUCTING

A minimum of 7" round or 3-1/4" x 10" rectangular duct must be used to maintain maximum air flow efficiency.

Always use rigid type metal ducts only. Flexible ducts could restrict air flow by up to 50%.

Also use calculation (on page 5) to compute total available duct run when using elbows, transitions and caps.

ALWAYS, when possible, reduce the number or transitions and turns. If long duct run is required, increase duct size.

If turns or transitions are required; install as far away from hood duct output and as far apart, between the two as possible.

Minimum mount height between range top to hood bottom should be no less than 26".

Maximum mount height should be no higher than 36".

It is important to install the hood at the proper mounting height. Hoods mounted too low could result in heat damage and fire hazard; while hoods mounted too high will be hard to reach and will lose its performance and efficiency.

If available, also refer range manufacturer's height clearance requirements and recommended hood mounting height above range.

### Vertical Ducting:

7" round or 3 1/4" x 10" rectangular minimum

### Horizontal Ducting:

3 1/4" x 10" rectangular minimum

### DAMAGE-SHIPMENT / INSTALLATION:

- Please fully inspect unit for damage before installation.
- If the unit is damaged in shipment, return the unit to the store in which it was bought for repair or replacement.
- If the unit is damaged by the customer, repair or replacement is the responsibility of the customer.
- If the unit is damaged by the installer (if other than the customer), repair or replacement must be made by arrangement between customer and installer.



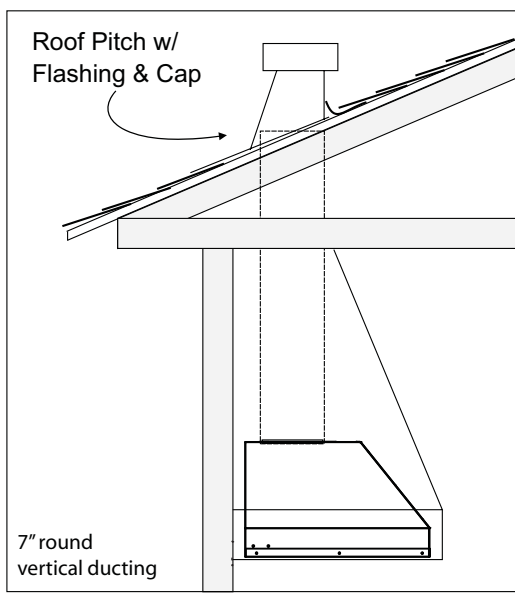
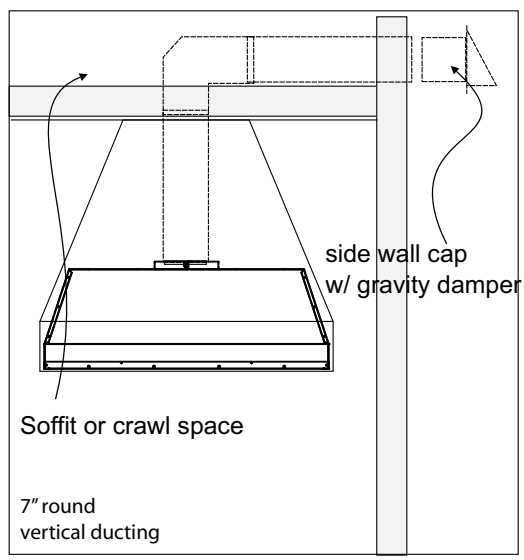
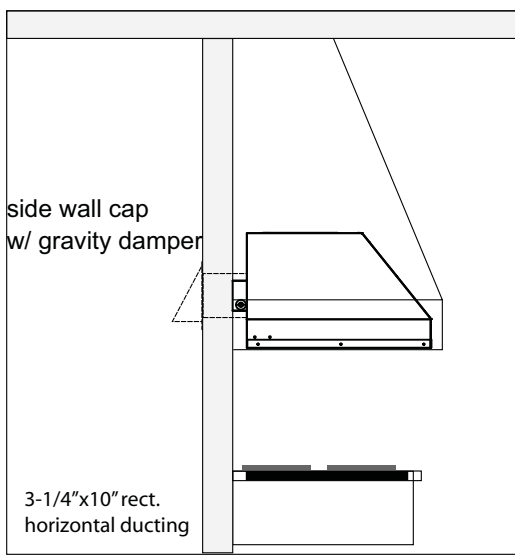
**WARNING FIRE HAZARD**

NEVER exhaust air or terminate duct work into spaces between walls, crawl spaces, ceiling, attics or garages. All exhaust must be ducted to the outside.

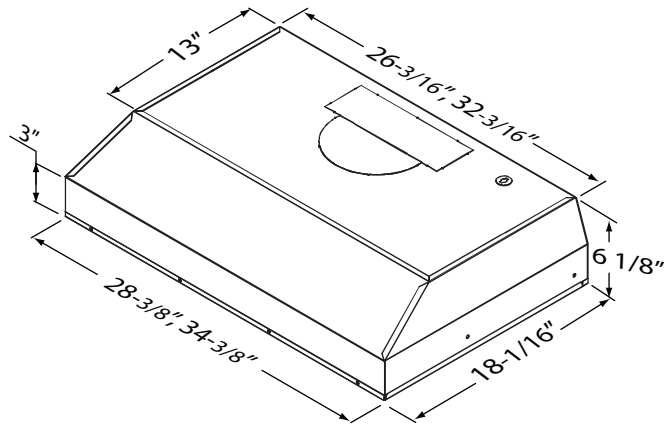
Use single wall rigid metal ductwork only.

Fasten all connections with sheet metal screws and tape all joints with certified Silver Tape or Duct Tape.

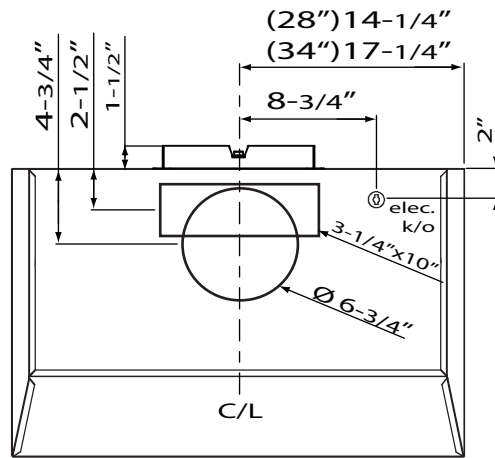
**Some Ducting Options**



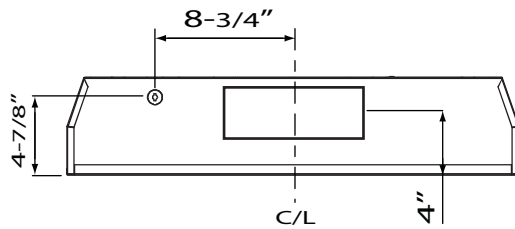
# Installation – Specifications



**3/4 View**



**Top View**



**Back View**

**ELECTRICAL  
WARNING**

**All Electrical work must be performed by qualified electrician or person with similar technical know how and background.**

For personal safety, remove house fuse or open circuit breaker before beginning installation. Do not use extension cord or adapter plug with this appliance.

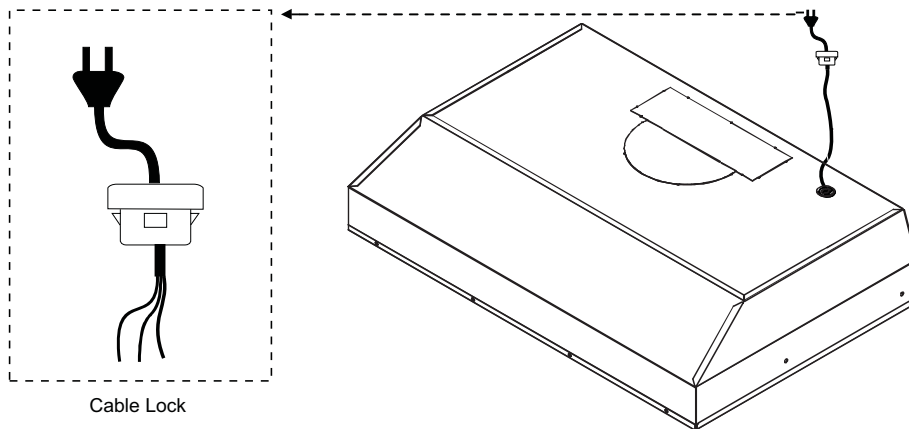
**Follow national electrical codes or prevailing local codes and ordinances.**

**Electrical Supply:**

This appliance requires a 120V 60Hz electrical supply, and connected to an individual, properly grounded branch circuit, protected by a 15 or 20 ampere circuit breaker or time delay fuse. Wiring must be 2 wire w/ ground. Please also refer Electrical Diagram labeled on product.

**Cable Lock:**

A cable locking connector (not supplied) might also be required by local codes. Check with local requirements and codes, purchase and install appropriate connector if necessary.



# Installation – Cabinet Preparation & Installation

**⚠ CAUTION:** At least two installers are required due to the weight and size of the liner.

If possible, power up and test all functions prior to installation.

1. Remove all packing materials and protective film prior to installation. Use caution during installation to prevent scratches or damage to the stainless steel.
2. Cut out an opening in the bottom of the cabinet by following the dimensions in FIG. 1. If ducting the one piece liner horizontally, also cut out an opening in the back of the cabinet (if applicable). FIG. 2.
3. Prepare liner for installation into cabinet by following the steps on page 11. **Continue to Step 4 after preparation is completed.**
4. Lift liner into bottom opening of cabinet and secure to interior of cabinet using (12) #8 x 1/2" stainless steel screws; (4) screws in the front and (4) screws in the sides and (4) screws in the back. FIG. 3. **WARNING: Make sure the surface you are securing the liner to is capable of holding the weight of AK91. Failure to do so may cause personal injury or damage to cooking surface or counter.**
5. Finalize installation of electrical and duct work. Seal duct work with certified aluminum duct tape. Power on liner, check for leaks around duct tape and verify proper operation.

**NOTE:** If access to top of liner is not available after installation, electrical and duct work connection may need to be made prior to installing the liner.

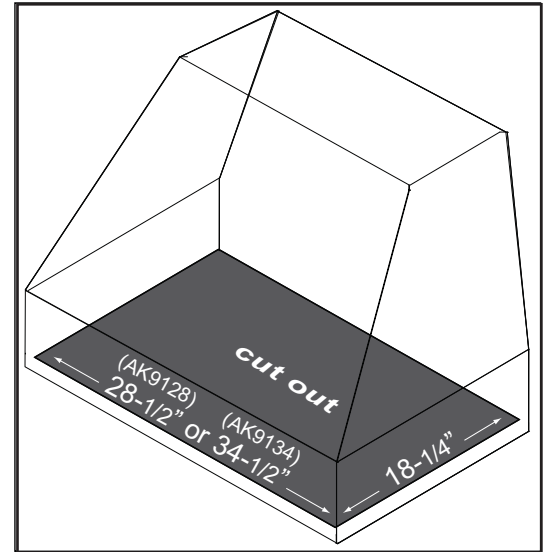


FIG. 1

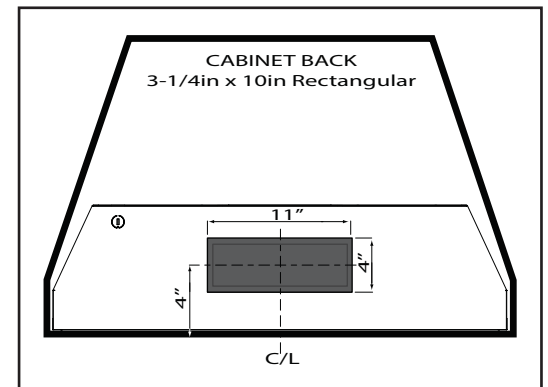


FIG. 2

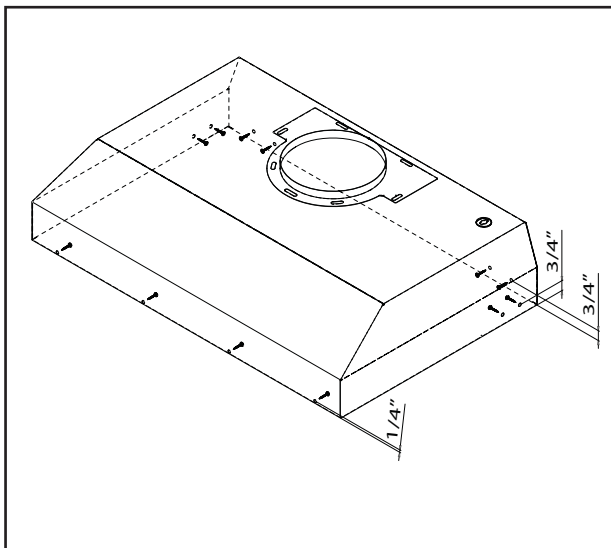


FIG. 3

**Note: If using hood in recirculating mode skip these steps and turn to page 12.**

Vertical Ducting  
(7" Round)



1. Using a flat-head screwdriver, remove both the rectangular and round knock-out plates located on top of hood



2. Secure 7" round collar to top of hood using (6) M4 x 6 screws.

Vertical Ducting  
(3-1/4"x10" Rectangular)



1. Using a flat-head screwdriver, remove only the rectangular section of the knock-out plate located on top of hood.



2. Secure 3-1/4" x 10" rectangular collar to top of hood using (6) M4 x 6 screws.

Horizontal Ducting  
(3-1/4"x10" Rectangular)



1. Using a flat-head screwdriver, remove the rectangular knock-out plate located on back of hood.



2. Secure 3-1/4" x 10" rectangular collar to back of hood using (6) M4 x 6 screws.

**DUCTLESS RECIRCULATING (OPTION)**

Ductless recirculating is intended for applications where an exhaust duct work is not possible to be installed. When converted, the one piece liner functions in air “purifying” mode rather than exhausting the air. Fumes and exhaust from cooking is drawn and filtered by a charcoal filter. The air is then purified and recirculated back into the kitchen.

We recommend to always exhaust air outside of the home by employing existing or installing new duct work, if possible. The liner is most effective and efficient as an exhaust unit. Only when the exhaust option is not possible should you use the liner in recirculating mode.

When converted to recirculating mode, a charcoal filter is required to be installed on top of the mesh filter and a return air vent is needed to direct air back into the kitchen. The mesh filter is intended to capture residue from cooking and the charcoal filter helps to purify fumes exhausted from cooking in recirculating mode.

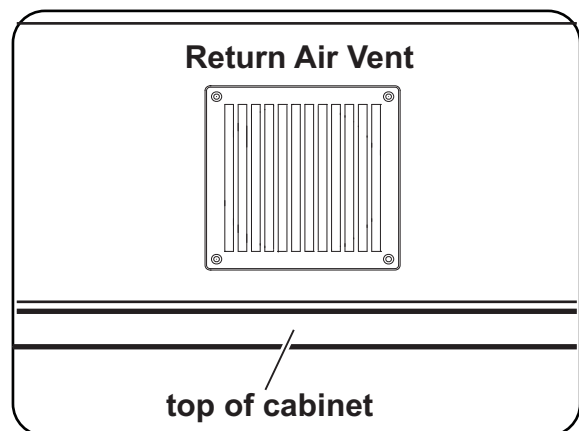
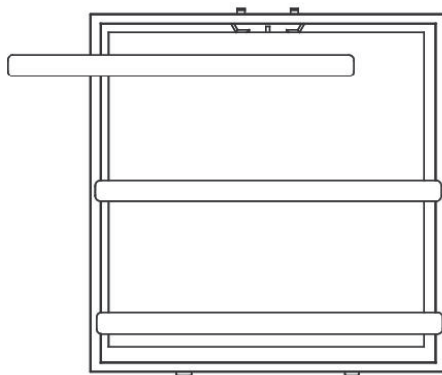
Purchase recirculating kit as follows.

Part No.	Qty. to Order
ZRC-9100A	1

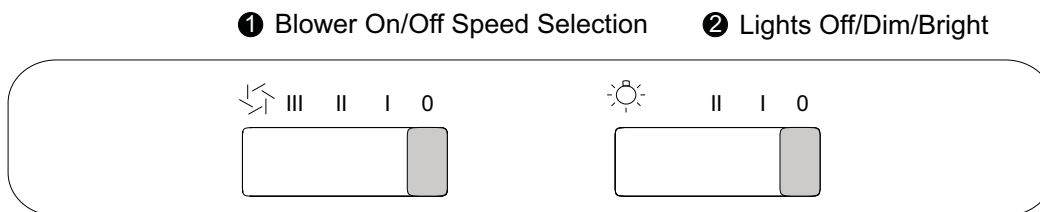
Charcoal filters are not washable and must be replaced approximately every 3 months based off an average usage of 1 hour a day.

Order replacement charcoal filters as follows:

Part No.	Qty. to Order
Z0F-C091	2



For detailed installation instructions please refer to manual included with recirculating kit.



**1 BLOWER ON/OFF/SPEED SELECTION**

0 is off, I is low speed, II is medium speed and III is high speed.

**2 LIGHTS OFF/DIM/BRIGHT**

0 is off, I is dim, and II is bright.

**SURFACE MAINTENANCE:**

Clean the hood surface periodically with hot soapy water and clean cotton cloth. Do not use corrosive or abrasive detergent, or steel wool/scouring pads which will scratch and damage surface. Do not use products containing chlorine bleach or orange cleaners.

For heavier soil use liquid degreaser.

After cleaning, you may use non-abrasive stainless steel polish/ cleaners, to polish and buff out the stainless luster and grain. Always scrub lightly using a micro fiber or clean cotton cloth and with grain.

**Aluminum Mesh Filters**

The aluminum mesh filters are intended to trap residue and grease from cooking. Although the aluminum mesh filters should never need replacing, they are required to be cleaned every 30 days or more often depending on cooking habits.

Filters may be placed in dishwasher at low heat or soaked in hot soapy water. Dry filters and re-install before using hood.

**Removing Aluminum Mesh Filters**

1. Push in on spring loaded filter handle.
2. Pull down on filter handle to remove filter.

**Replacing Aluminum Mesh Filters**

<b>Hood Model:</b>	<b>Part No.</b>	<b>Qty. to Order.</b>
All models and sizes	50200059	2



## REPLACING LIGHT BULBS

**CAUTION:** Light bulb becomes extremely hot when turned on.

**DO NOT touch bulb until switched off and cooled. Touching hot bulbs could cause serious burns.**

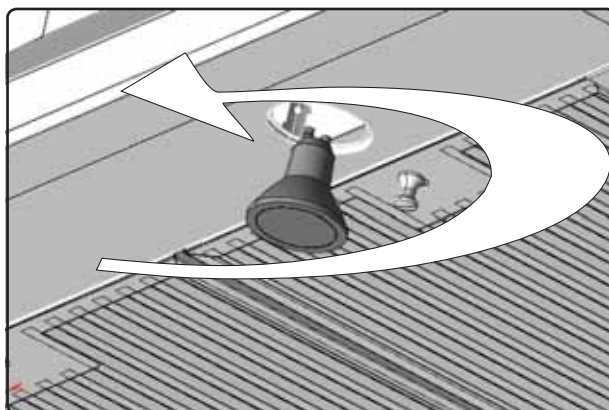
Make sure all power is turned off and bulbs are not hot.

Remove by turning bulb counter clockwise. **Note:** Bulb does not unscrew; it turns 60 degrees, stops and falls out.

If bulbs are difficult to turn due to prolonged use, firmly attach the glass suction cup provided to the bulb or use a rubber/latex glove and turn counter clockwise.

Replacement bulbs are available at specialty lighting stores. Purchase type MR16 (GU-10) 35W halogen.

For Zephyr part numbers please turn to page 18 of the manual.



Bottom View

# Troubleshooting

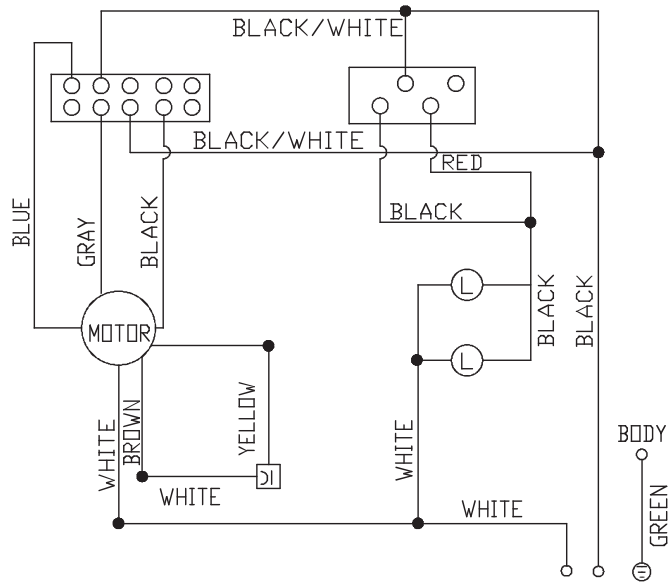
## TROUBLESHOOTING PROCEDURES MONSOON MINI

Issue	Cause	What to do
After installation, the unit doesn't work.	1. The power source is not turned ON.	1. Make sure the circuit breaker and the unit's power is ON.
	2. The power line and the cable locking connector is not connecting properly.	2. Check the power connection with the unit is connected properly.
	3. The switch wirings are disconnected.	3. Make sure the wirings at the switch are connected properly.
	4. The switch is defective.	4. Change the switch.
Light works, but blower is not turning.	1. The blower is defective, possible seized.	1. Change the blower.
	2. The thermally protected system detects if the blower is too hot to operate and shuts the blower down.	2. The blower will function properly after the thermally protected system cools down.
	3. Blower mox plug pin is not making contact.	3. Disconnect the blower mox plug, check pins inside plug to see if one is pushed inside the plug too far. Reseat pin if needed.
	4. Damaged capacitor.	4. Change the capacitor.
The unit is vibrating.	1. The blower is not secure in place.	1. Tighten the blower in place.
	2. Damaged blower wheel.	2. Change the blower.
	3. The hood is not secured in place.	3. Check the installation of the hood.
The unit is whistling.	1. The filter is not in the correct position.	1. Change the position of the filter.
	2. The duct pipe connections are not connected properly.	2. Check the duct pipe connections to be sure all are connections are sealed properly.
The blower is working, but the lights are not.	1. Defective halogen bulb.	1. Change the halogen bulb.
	2. The light bulb is loose.	2. Tighten the light bulb.
	3. The light bulb plug is disconnected.	3. Connect the light bulb plug.
The hood is not venting out properly.	1. The hood might be hanging to high from the cook top.	1. Adjust the distance between the cook top and the bottom of the hood within 26" to 36" range.
	2. The wind from the opened windows or opened doors in the surrounding area are affecting the ventilation of the hood.	2. Close all the windows and doors to eliminate the outside wind flow.
	3. Blocking in the duct opening or duct work.	3. Remove all the blocking from the duct work or duct opening.
	4. The direction of duct opening is against the wind.	4. Adjust the duct opening direction.
	5. Using the wrong size of ducting.	5. Change the ducting to at least 7" or higher.
Metal filter is vibrating.	1. Metal filter is loose.	1. Change the metal filter.
	2. Spring clip is broken.	2. Change the spring clip.

USE ONLY TYPE MR16, GU10, 35 W. **MAX.** HALOGEN LIGHT BULBS.

AK9128AS, AK9134AS	VOLTS	HZ	MAX AMPS
	120	60	1.5

**CIRCUIT DIAGRAM**



REMARKS: CONDENSER 4.5  $\mu$ F 250VAC FIT AC120V 60Hz

**Wiring Diagram**

# List of Parts and Accessories

<b>DESCRIPTION</b>	<b>PART #</b>
<b>Replacement Parts</b>	
Light Bulb MR16 (GU10) 35W (each)	Z0B-0023
Aluminum Mesh Filter (each)	50200059
<b>Optional Accessories</b>	
Recirculating Kit	ZRC-9100A
Replacement Charcoal Filter (each)	Z0F-C091

To order parts, visit us online at <http://store.zephyronline.com> or call us at 1.888.880.8368



STAPLE YOUR RECEIPT HERE  
Proof of the original purchase  
date is needed to obtain  
service under warranty

TO OBTAIN SERVICE UNDER WARRANTY OR FOR ANY SERVICE RELATED QUESTIONS, please call:  
1-888-880-8368

Zephyr Ventilation, LLC (referred to herein as “we” or “us”) warrants to the original consumer purchaser (referred to herein as “you” or “your”) of Zephyr products (the “Products”) that such Products will be free from defects in materials or workmanship as follows:

**Three Year Limited Warranty for Parts:** For three years from the date of your original purchase of the Products, we will provide, free of charge, Products or parts (including LED light bulbs, if applicable) to replace those that failed due to manufacturing defects. We may choose, in our sole discretion, to repair or replace parts before we elect to replace the Products.

**One Year Limited Warranty for Labor:** For one year from the date of your original purchase of the Products, we will provide, free of charge, the labor cost associated with repairing the Products or parts to replace those that failed due to manufacturing defects. After the first year from the date of your original purchase, you are responsible for all labor costs associated with this warranty.

**Warranty Exclusions:** This warranty covers only repair or replacement, at our option, of defective Products or parts and does not cover any other costs related to the Products including but not limited to: (a) normal maintenance and service required for the Products and consumable parts such as fluorescent, incandescent or halogen light bulbs, mesh and charcoal filters and fuses; (b) any Products or parts which have been subject to freight damage, misuse, negligence, accident, faulty installation or installation contrary to recommended installation instructions, improper maintenance or repair (other than by us); (c) commercial use of the Products or use otherwise inconsistent with its intended purpose; (d) natural wear of the finish of the Products or wear caused by improper maintenance, use of corrosive and abrasive cleaning products, pads, and oven cleaner products; (e) chips, dents or cracks caused by abuse or misuse of the Products; (f) service trips to your home to teach you how to use the Products; (g) damage to the Products caused by accident, fire, floods, acts of God; or (h) Custom installations or alterations that impact serviceability of the Products. If you are outside our service area, additional charges may apply for shipping costs for warranty repair at our designated service locations and for the travel cost to have a service technician come to your home to repair, remove or reinstall the Products. After the first year from the date of your original purchase, you are also responsible for all labor costs associated with this warranty.

**Limitations of Warranty.** OUR OBLIGATION TO REPAIR OR REPLACE, AT OUR OPTION, SHALL BE YOUR SOLE AND EXCLUSIVE REMEDY UNDER THIS WARRANTY. WE SHALL NOT BE LIABLE FOR INCIDENTAL, CONSEQUENTIAL OR SPECIAL DAMAGES ARISING OUT OF OR IN CONNECTION WITH THE USE OR PERFORMANCE OF THE PRODUCTS. THE EXPRESS WARRANTIES IN THE PRECEDING SECTION ARE EXCLUSIVE AND IN LIEU OF ALL OTHER EXPRESS WARRANTIES. WE HEREBY DISCLAIM AND EXCLUDE ALL OTHER EXPRESS WARRANTIES FOR THE PRODUCTS, AND DISCLAIM AND EXCLUDE ALL WARRANTIES IMPLIED BY LAW, INCLUDING THOSE OF MERCHANTABILITY AND FITNESS FOR A PARTICULAR PURPOSE. Some states or provinces do not allow limitations on the duration of an implied warranty or the exclusion or limitation of incidental or consequential damages, so the above limitations or exclusions may not apply to you. To the extent that applicable law prohibits the exclusion of implied warranties, the duration of any applicable implied warranty is limited to the same two-year period described above. Any oral or written description of the Products is for the sole purpose of identifying the Products and shall not be construed as an express warranty. Prior to using, implementing or permitting use of the Products, you shall determine the suitability of the Products for the intended use, and you shall assume all risk and liability whatsoever in connection with such determination. We reserve the right to use functionally equivalent refurbished or reconditioned parts or Products as warranty replacements or as part of warranty service. This warranty is not transferable from the original purchaser and applies in the United States and Canada.

**To Obtain Service Under Limited Warranty:** To qualify for warranty service, you must: (a) notify us at the address or telephone number stated below within 60 days of the discovery of the defect; (b) give the model number and part identification number and serial number; and (c) describe the nature of any defect in the Product or part. At the time of the request for warranty service, you must present evidence of your proof of purchase and proof of the original purchase date. If we determine that the warranty exclusions listed above apply or if you fail to provide the necessary documentation to obtain service, you will be responsible for all shipping, travel, labor and other costs related to the services.

Please check our website for any revisions, [www.zephyronline.com](http://www.zephyronline.com).

Zephyr Ventilation Service Department, 2277 Harbor Bay Parkway, Alameda, CA 94502 1-888-880-8368

AUG14.0401

# PRODUCT REGISTRATION

Congratulations on your Zephyr range hood purchase! Please take a moment to register your new range hood at [www.zephyronline.com/registration](http://www.zephyronline.com/registration)

## IT'S IMPORTANT

Prompt registration helps in more ways than one.

- Ensures warranty coverage should you need service.
- Ownership verification for insurance purposes.
- Notification of product changes or recalls.

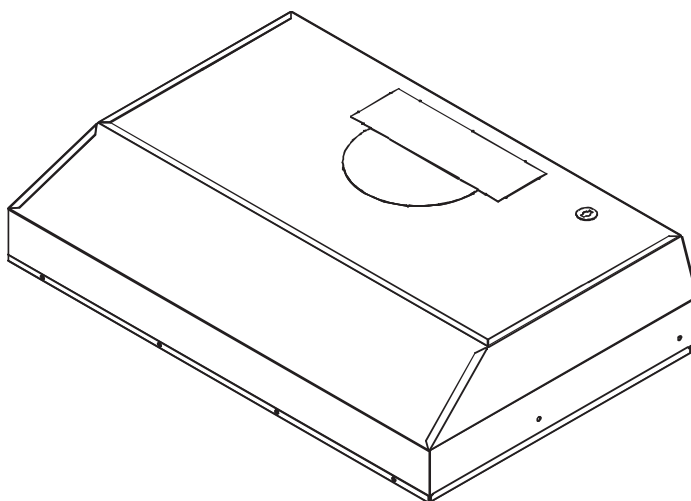


Zephyr Ventilation | 2277 Harbor Bay Pkwy. | Alameda, CA 94502 | 1.888.880.8368

# Monsoon Mini

AK9128AS

AK9134AS



Numéro de modèle \_\_\_\_\_

Numéro de série \_\_\_\_\_

Date d'achat \_\_\_\_\_

Détaillant \_\_\_\_\_







<b>MISE EN GARDE DE SÉCURITÉ</b> .....	2-3
<b>LISTE DU MATÉRIEL</b> .....	4
<b>INSTALLATION</b>	
Feuille de calcul pour le conduit .....	5
Espace libre et hauteur de montage .....	6
Options d'installation pour le conduit .....	7
Spécifications .....	8
Électricité .....	9
Préparation et installation des armoires .....	10
Préparation pour conduit .....	11
Reprise d'air .....	12
<b>COMMANDES</b>	
Reglage par curseur .....	13
<b>ENTRETIEN</b>	
Installation et nettoyage des filtres .....	14
Lumières .....	15
<b>DÉPANNAGE</b> .....	16
<b>SCHÉMA DE CÂBLAGE</b> .....	17
<b>LISTES DES ACCESSOIRES ET DES PIÈCES</b> .....	18
<b>GARANTIE</b> .....	19
<b>ENREGISTRMENT DU PRODUIT</b> .....	20

**AVERTISSEMENT**

POUR RÉDUIRE LES RISQUES D'INCENDIE OU DE DÉCHARGE ÉLECTRIQUE, N'UTILISEZ PAS CET APPAREIL AVEC UN TABLEAU DE COMMANDE À SEMI-CONDUCTEURS.

**AVERTISSEMENT**

POUR RÉDUIRE LES RISQUES D'INCENDIE, DE DÉCHARGE ÉLECTRIQUE OU DE BLESSURE, RESPECTEZ CES CONSIGNES :

- N'utilisez cet appareil que de la manière prévue par le fabricant. Si vous avez des questions, communiquez avec le fabricant.
- Avant de procéder au nettoyage ou à l'entretien de l'appareil, éteignez l'alimentation du panneau électrique et bloquez le dispositif de déconnexion pour éviter que l'alimentation électrique ne soit accidentellement rallumée. Si le dispositif de sectionnement d'électricité ne peut être bloqué, attachez un avertissement (comme une étiquette) bien en vue sur le tableau électrique.

**ATTENTION**

Pour ventilation générale seulement. N'utilisez pas cet appareil pour évacuer des vapeurs et des matériaux explosifs ou dangereux. Prenez garde lors de l'utilisation d'agents nettoyants ou de détergents. Ne devrait être utilisé que dans la cuisine de votre maison.

**AVERTISSEMENT**

POUR RÉDUIRE LES RISQUES DE FEU DE GRAISSE SUR LA SURFACE DE CUISSON :

- Ne laissez jamais l'appareil sans surveillance lors de son utilisation à haute température. Les débordements par bouillonnement causent de la fumée et des déversements de graisse qui peuvent prendre feu. Faites chauffer l'huile à des températures basses ou moyennes.
- Allumez toujours la hotte lorsque vous cuisinez à haute température ou que vous faites flamber des aliments.
- Nettoyez fréquemment les ventilateurs de la hotte. La graisse ne devrait jamais s'accumuler dans les ventilateurs ou les filtres.
- Utilisez des poêlons aux dimensions adéquates. Utilisez toujours une batterie de cuisine correspondant aux dimensions de l'élément.
- Assurez-vous que le ventilateur, les filtres et les surfaces où la graisse pourrait s'accumuler sont toujours propres.
- Utilisez le réglage haut de la hotte seulement lorsque nécessaire.
- Ne laissez pas la hotte sans surveillance lorsque vous cuisinez.
- Utilisez toujours une batterie de cuisine et des ustensiles convenant au type et à la quantité de nourriture que vous préparez.

**AVERTISSEMENT**

POUR RÉDUIRE LES RISQUES DE BLESSURE LORS D'UN INCENDIE SUR LA SURFACE DE CUISSON :

- ÉTOUFFEZ LES FLAMMES avec un couvercle, une plaque à biscuits ou un plateau de métal et éteignez ensuite le brûleur. PRENEZ GARDE AUX RISQUES DE BRÛLURE. Si les flammes ne disparaissent pas, ÉVACUEZ LES LIEUX ET APPELEZ LE SERVICE D'INCENDIE.
- NE PRENEZ JAMAIS UN POËLON EN FEU – vous pourriez vous brûler.
- N'UTILISEZ PAS D'EAU, ou un linge à vaisselle mouillé – une violente explosion de vapeur s'ensuivra.
- Utilisez un extincteur SEULEMENT si :
  - Vous savez que vous possédez un extincteur de classe ABC et vous savez vous en servir.
  - Le feu est faible et ne s'est pas répandu depuis son point d'origine.
  - Vous avez appelé le service d'incendie.
  - Vous pouvez sortir facilement de l'endroit où vous combattez le feu.

**AVERTISSEMENT**

POUR RÉDUIRE LES RISQUES D'INCENDIE, DE DÉCHARGE ÉLECTRIQUE OU DE BLESSURE, SUIVEZ LES CONSIGNES SUIVANTES :

- Les travaux d'installation et de câblage électrique doivent être faits par une personne qualifiée selon les stipulations de tous les normes et standards en vigueur, dont les normes des constructions ayant une cote de résistance au feu.
- Pour prévenir les contre-explosions, une certaine quantité d'air est nécessaire pour la combustion et l'évacuation des gaz par le carneau (cheminée) de l'appareil de combustion. Respectez les directives du fabricant d'outillage de chauffage et les normes de sécurité comme celles publiées par la NFPA (Association nationale des services d'incendie), par la Société américaine des ingénieurs en chauffage, réfrigération et climatisation (ASHRAE) et par les normes des autorités locales.
- Lorsque vous coupez ou percez un mur ou un plafond, assurez-vous de ne pas endommager le câblage électrique ou toute autre installation technique dissimulée.
- Les ventilateurs canalisés doivent toujours évacuer l'air à l'extérieur.
- N'installez JAMAIS un interrupteur à une distance atteignable depuis un bain ou une douche.
- Assurez-vous que l'alimentation électrique est éteinte avant de procéder à l'installation, au câblage ou à l'entretien de l'appareil.

## ATTENTION

POUR RÉDUIRE LES RISQUES D'INCENDIE, N'UTILISEZ QUE DES CONDUITS D'AÉRATION EN MÉTAL.  
CETTE HOTTE N'EST PAS CONÇUE POUR UNE UTILISATION AVEC UN GRIL EXTÉRIEUR

## ATTENTION

To reduce risk of fire and to properly exhaust air outside - Do not vent exhaust air into spaces within walls, ceilings, attics, crawl spaces or garages.

## OPERATION

Pour réduire les risques d'incendie et pour évacuer l'air convenablement, assurez-vous de canaliser l'air à l'extérieur de la maison. N'installez pas l'échappement du conduit dans les espaces entre les murs, le plafond, le grenier, les vides sanitaires ou le garage.

## FONCTIONNEMENT

Laissez toujours les grilles de sûreté et les filtres en place. Sans ces éléments, les ventilateurs en marche pourraient accrocher des cheveux, des doigts ou des vêtements amples.

Le fabricant se dégage de toute responsabilité dans les cas de non-respect des instructions transmises dans le présent manuel pour l'installation, l'entretien et l'utilisation adéquate du produit. Le fabricant se dégage également de toute responsabilité pour des blessures qui résulteraient de la négligence lors de l'utilisation. De plus, la garantie prend fin automatiquement lors de l'entretien inapproprié de l'appareil.

**\*NOTE : Veuillez communiquer avec nous ou visitez le [www.zephyronline.com](http://www.zephyronline.com) pour obtenir des révisions avant de procéder à des travaux sur commande.**

## EXIGENCES ÉLECTRIQUES

### Important:

Respectez tous les codes et règlements en vigueur.

Il est de la responsabilité du client de :

- Communiquer avec un installateur-électricien qualifié.
- S'assurer que l'installation électrique est adéquate et qu'elle respecte le Code national de l'électricité, la plus récente édition\* du ANSI/NFPA 70 ou des normes du CSA C22.1-94, le Code canadien de l'électricité, section 1, la plus récente édition\*\* du code C22.2 No.0-M91 ainsi que tous les codes et règlements en vigueur.

Si les codes permettent l'utilisation d'un fil de garde isolé et que vous en utilisez un, il est recommandé qu'un électricien qualifié détermine si le cheminement du fil est adéquat.

N'effectuez pas la mise à la terre à un tuyau de gaz.

Demandez à un électricien qualifié si vous n'êtes pas certain que la hotte a été mise à la terre adéquatement.

N'introduisez aucun fusible dans le circuit neutre ou de mise à la terre.

\*National Fire Protection Association Batterymarch Park, Quincy, Massachusetts 02269

\*\* CSA International 8501 East Pleasant Valley Road, Cleveland, Ohio 44131-5575

Cet appareil requiert une alimentation électrique de 120V 60 Hz. Il doit être connecté à un circuit terminal individuel dûment mis à la terre, protégé par un disjoncteur de circuit ou un fusible temporisé de 15 ou 20 ampères. Le câblage doit compter 2 fils avec mise à la terre. Veuillez vous référer au Diagramme électrique étiqueté sur l'appareil.

**AK9128AS / AK9134AS - 177W , 1.5 Ampères**

Un raccord de câble (non inclus) pourrait également être exigé par les normes et réglementations locales. Informez-vous des exigences et des normes locales. Achetez et installez le connecteur approprié si nécessaire.

# Liste du matériel

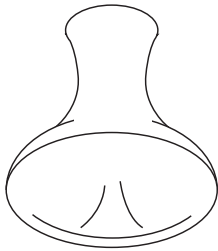
**MODÈLES:** AK9128AS ET AK9134AS

## PIÈCES FOURNIES

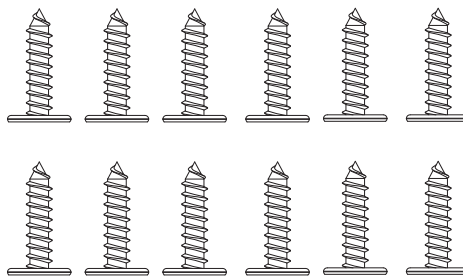
- 1 - Boîtier de hotte interne
- 2 - Filtres défecteurs
- 2 - Ampoules halogènes (préinstallées)
- 1 - Ventilateur interne (préinstallé)
- 1 - Adaptateur circulaire de 7" avec registre
- 1 - Adaptateur rectangulaire de 3-1/4" x 10" avec registre
- 1 - Trousse de quincaillerie

## CONTENU DE LA TROUSSE DE QUINCAILLERIE

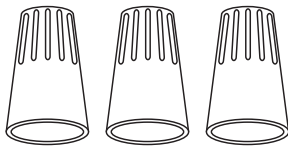
(1) ventouse pour enlever l'ampoule



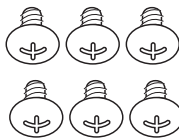
(12) #8 x 1/2"



(3) capuchons de connexion

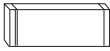










(6) M4 x 6mm












## PIÈCES NON FOURNIES

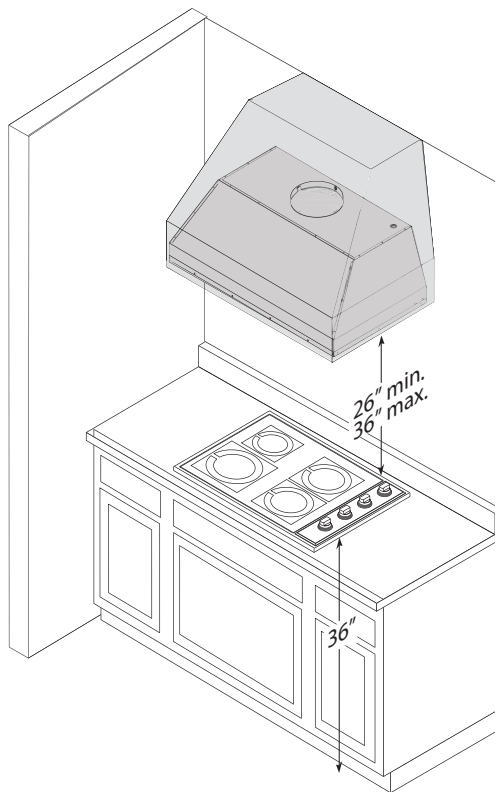
- Conduit d'aération et tous les outils d'installation
- Raccord de câble (si exigé par les codes en vigueur)

Pièces de conduit	Longueur x Nombre utilisé =	Total
 3-1/4" x 10" rect., droit	1 pi x ( ) =	pi
 6", 7", 8", 10" circ., droit	1 pi x ( ) =	pi
 3-1/4" x 10" rect., coude à 90°	15 pi x ( ) =	pi
 3-1/4" x 10" rect., coude à 45°	9 pi x ( ) =	pi
 3-1/4" x 10" rect., coude plat à 90°	24 pi x ( ) =	pi
 7" to 6" or 8" to 7" circ. reducteur conique	25 pi x ( ) =	pi
 6", 7", 8" circ. bouchone de l'air	15 pi x ( ) =	pi
 6", 7", 8", 10" circ., coude à 90°	15 pi x ( ) =	pi
 6", 7", 8", 10" coude à 45°	9 pi x ( ) =	pi
Sous-total - colonne 1=		pi

**Longueur maximale du conduit d'aération :**

Pour un mouvement d'air convenable, la longueur totale d'un conduit d'aération ne devrait pas compter plus que l'équivalent de 100 pieds.

Pièces de conduit	Longueur x Nombre utilisé =	Total
 6" circ. à rect. de 3-1/4" x 10"	5 pi x ( ) =	pi
 6" circ. à rect. de 3-1/4" x 10", coude à 90°	20 pi x ( ) =	pi
 6" circ. à rect. de 3-1/4" x 10"	1 pi x ( ) =	pi
 6" circ. à rect. de 3-1/4" x 10", coude à 90°	16 pi x ( ) =	pi
 7" circ. à rect. de 3-1/4" x 10"	8 pi x ( ) =	pi
 7" circ. à rect. de 3-1/4" x 10", coude à 90°	23 pi x ( ) =	pi
 3-1/4" x 10" embout mural rect./registre	30 pi x ( ) =	pi
 6", 7", 8", 10" embout mural circ./registre	30 pi x ( ) =	pi
 6", 7", 8", 10" chapeau de toiture circ.	30 pi x ( ) =	pi
Sous-total - colonne 2 =		pi
Sous-total - colonne 1 =		pi
Total du conduit =		pi



### CONDUIT D'AÉRATION

Un conduit rectangulaire d'un minimum de 3-¼" x 10" ou circulaire de 7" doit être utilisé pour assurer une circulation d'air maximale.

N'utilisez que des conduits en métal rigide. Les conduits souples pourraient réduire la circulation d'air jusqu'à 50 %.

Utilisez la feuille de calcul pour obtenir la longueur totale du conduit (page 5) lorsque vous utilisez des coudes, des pièces de changements de direction et des bouches d'aération.

Lorsqu'il est possible de le faire, diminuez TOUJOURS le nombre de pièces et de changements de direction. Si un long tronçon de conduit est nécessaire, augmentez le diamètre du conduit.

Si des changements de direction ou des

adaptateurs sont nécessaires, installez-les le plus loin possible de l'ouverture et le plus éloigné possible – séparés par au moins une pièce standard – l'un de l'autre.

La hauteur de montage minimale ne devrait pas être moins de 26".

La hauteur de montage maximale ne devrait pas dépasser 36".

Il est important d'installer la hotte à la hauteur de montage adéquate. Les hottes installées trop basses pourraient être endommagées par la chaleur en plus de présenter des risques d'incendie plus élevés tandis que les hottes installées trop hautes seront difficiles à atteindre et verront leur efficacité et leur rendement réduits.

Si elles sont disponibles, consultez les exigences de hauteur d'espace libre requise par le fabricant de la cuisinière ainsi que la hauteur recommandée de montage de la hotte au-dessus de la surface de cuisson.

#### Conduit vertical:

Circulaire d'au moins 7" ou rectangulaire d'au moins 3-¼" x 10"

#### Conduit horizontal:

Rectangulaire d'au moins 3-¼" x 10"

#### ENDOMMAGEMENT LORS DE LA LIVRAISON/INSTALLATION:

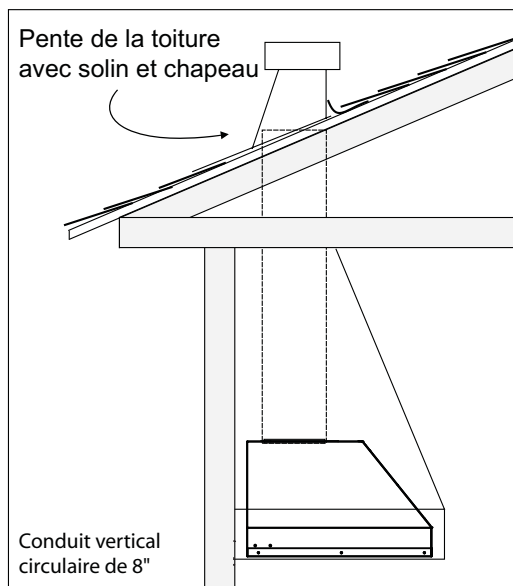
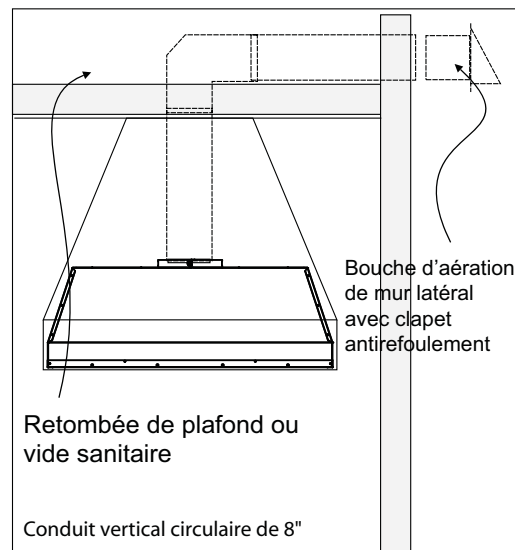
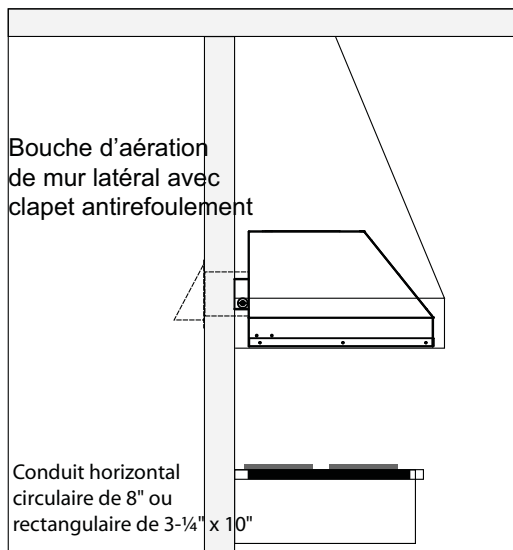
- Veuillez vous assurer qu'aucune des pièces de l'appareil n'est endommagée avant l'installation.
- Si l'appareil est endommagé durant la livraison, retournez l'appareil à l'endroit où vous l'avez acheté pour réparation ou remplacement.
- Si l'appareil est endommagé par le client, la réparation ou le remplacement est à la charge du client
- Si l'appareil est endommagé par l'installateur (si autre que le client), le client et l'installateur doivent en venir à une entente pour la réparation ou le remplacement.

## AVERTISSEMENT DE RISQUE D'INCENDIE

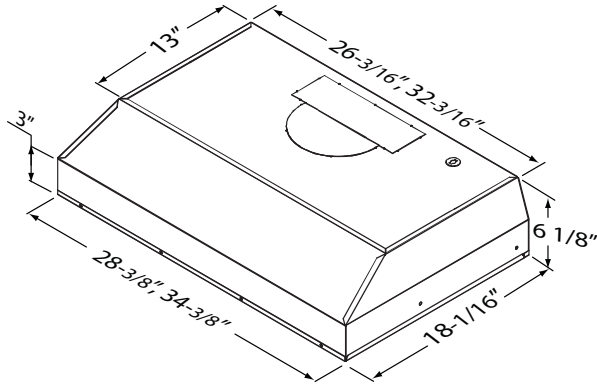
N'évacuez ou ne terminez JAMAIS l'échappement du conduit dans les espaces entre les murs, les vides sanitaires, le plafond, le grenier, ou le garage. Tous les échappements doivent être dirigés à l'extérieur de la maison, à moins que l'option de reprise d'air ne soit utilisée. N'utilisez que des conduits en métal pour cloison simple.

Fixez toutes les pièces du conduit avec des vis à tôle et isolez tous les joints avec du ruban adhésif en toile ou du ruban réflecteur certifié.

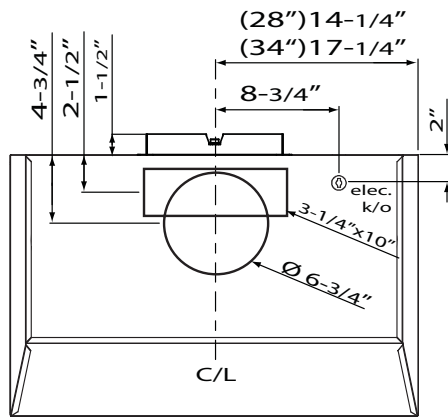
### Quelques options pour le conduit d'aération



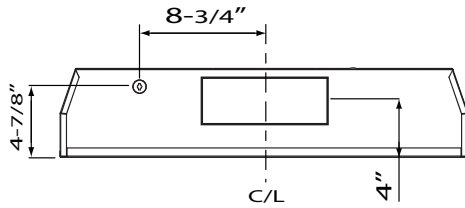
# Installation – Spécifications de la hotte



**Vue 3/4**



**Vue de haut**



**Vue arrière**



## ÉLECTRICITÉ

### AVERTISSEMENT

Tous les travaux électriques doivent être réalisés par un électricien qualifié ou par une personne possédant l'expérience technique et le savoir-faire nécessaire.

Pour votre sécurité, enlevez le fusible ou ouvrez le disjoncteur de circuit avant de commencer l'installation. N'utilisez pas de cordon prolongateur ou de fiche d'adaptation avec cet appareil.

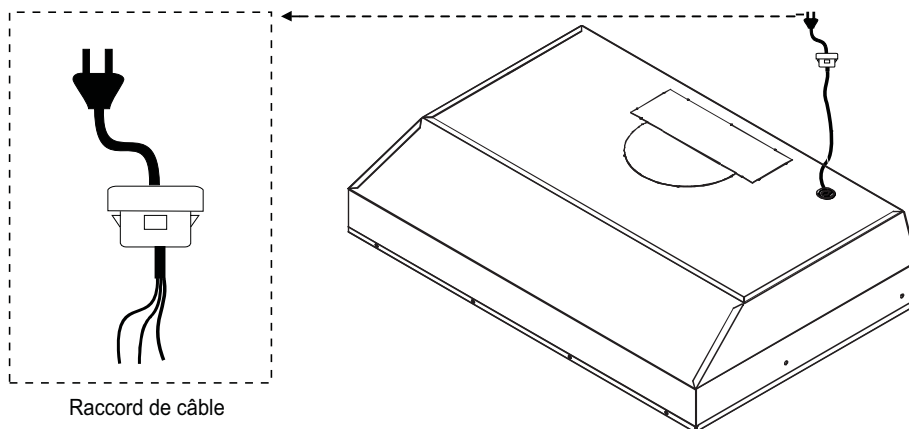
Suivez les codes et réglementations nationaux ou locaux en vigueur.

#### Alimentation électrique:

Cet appareil requiert une alimentation électrique de 120V 60 Hz. Il doit être connecté à un circuit terminal individuel dûment mis à la terre, protégé par un disjoncteur de circuit ou un fusible temporisé de 15 ou 20 ampères. Le câblage doit compter 2 fils avec mise à la terre. Veuillez consulter le diagramme électrique apposé sur l'appareil.

#### Raccord de câble:

Un raccord de câble (non inclus) pourrait également être exigé par les normes et les réglementations locales. Informez-vous des exigences et des normes locales. Achetez et installez le connecteur approprié si nécessaire.



**⚠ ATTENTION:** Compte tenu du poids et des dimensions de la hotte, au moins deux installateurs sont nécessaires.

**Dans la mesure du possible, allumez l'appareil et assurez-vous du bon fonctionnement de toutes les fonctions avant de procéder à l'installation.**

1. Enlevez tout le matériel d'emballage et la pellicule de protection avant de procéder à l'installation. Pour éviter d'égratigner ou d'endommager l'acier inoxydable, faites preuve de prudence durant l'installation.
2. Pratiquez une ouverture dans la partie inférieure de l'armoire selon les dimensions apparaissant à la FIG. 1. Si le conduit est installé horizontalement, pratiquez également une ouverture à l'arrière de l'armoire (s'il y a lieu). FIG. 2.
3. Préparez le boîtier pour le fixer à l'armoire en suivant les étapes de la page 11. Passez à l'étape 4 lorsque vous avez terminé la préparation.
4. Soulevez le boîtier jusqu'à l'ouverture sous l'armoire et fixez-le à l'intérieur de l'armoire à l'aide des huit (8) vis #8 x 1/2" en acier inoxydable; (4) vis à l'avant et (4) vis sur les côtés et (4) vis à l'arrière. FIG. 3.  
**AVERTISSEMENT :** Assurez-vous que la surface à laquelle vous fixez le boîtier peut soutenir le poids de la hotte AK92, sans quoi une personne pourrait se blesser ou la surface de cuisson ou le comptoir pourraient être endommagés.
5. Terminez l'installation des composantes électriques et du conduit. Scellez le conduit avec du ruban à conduit certifié en aluminium. Allumez l'appareil, vérifiez s'il y a des fuites autour des joints et assurez-vous du bon fonctionnement de l'appareil.

NOTE : Si vous n'avez pas accès à la partie supérieure du boîtier, vous pourriez avoir à procéder à l'installation des composantes électriques et du conduit avant d'installer le boîtier.

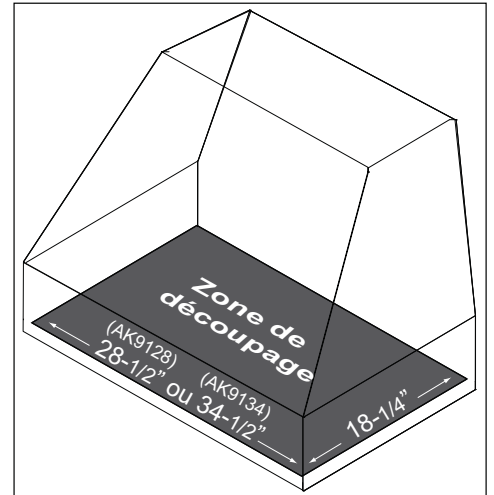


FIG. 1

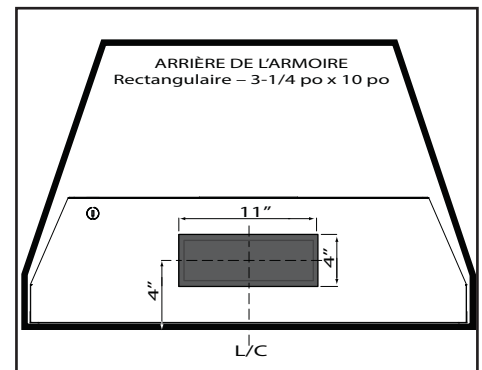


FIG. 2

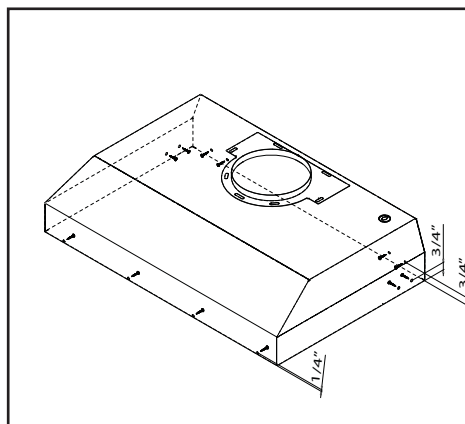


FIG. 3

**Note : Si vous utilisez la hotte en mode de reprise d'air, sautez ces étapes et allez à la page 11.**

**Conduit vertical  
(circulaire de 7")**



1. À l'aide d'un tournevis plat, enlevez les plaques de montage circulaire et rectangulaire situées sur le dessus de la hotte.



2. Fixez le collier circulaire de 7" sur le dessus de la hotte à l'aide de (6) vis M4 x 6.

**Conduit vertical  
(rectangulaire de  
3¼" x 10")**



1. À l'aide d'un tournevis plat, enlevez la plaque de montage rectangulaire située sur le dessus de la hotte.



2. Fixez le collier rectangulaire de 3¼" x 10" sur le dessus de la hotte à l'aide de (6) vis M4 x 6.

**Conduit  
horizontal  
(rectangulaire de  
3¼" x 10")**



1. À l'aide d'un tournevis plat, enlevez la plaque de montage rectangulaire située à l'arrière de la hotte.



2. Fixez le collier rectangulaire de 3¼" x 10" sur le dessus de la hotte à l'aide de (6) vis M4 x 6.

## CONFIGURATION SANS CONDUIT D'AÉRATION

La configuration sans conduit a été conçue pour les endroits où l'échappement d'un conduit d'aération ne peut être installé. Lorsque transformé, le bloc d'alimentation fonctionne comme un système de « purification d'air » plutôt que comme un système d'échappement d'air. Les vapeurs et fumées de cuisson sont aspirées et filtrées par un filtre à charbon. L'air est ensuite purifié et redirigé à l'intérieur de la maison.

Nous recommandons de TOUJOURS évacuer l'air à l'extérieur de la maison en utilisant le conduit en place ou, si possible, en installant un nouveau conduit d'aération. Le bloc d'alimentation est plus efficace lorsqu'utilisé comme système d'évacuation d'air. Vous ne devriez recourir à la configuration de « purification d'air » que lorsqu'il est impossible d'installer un conduit d'aération.

Lorsque la configuration de « purification d'air » est choisie, un filtre à charbon doit être installé sur le filtre de maille métallique standard et un système de reprise d'air est nécessaire pour renvoyer l'air dans la cuisine. Les filtres de maille métalliques standards servent à capturer les résidus de cuisson et les filtres à charbon optionnels aident à la purification des vapeurs et fumées de la cuisson lors de la reprise d'air.

Procurez-vous l'ensemble de reprise d'air,

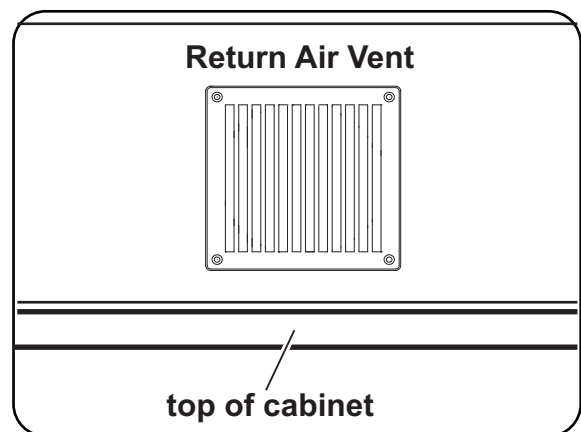
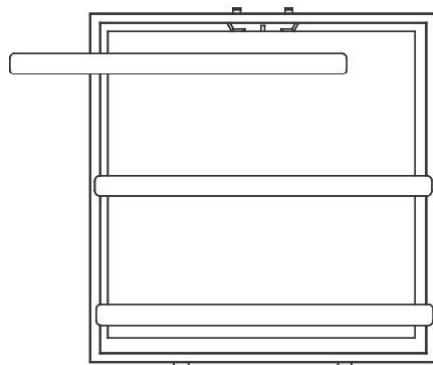
Modèle de hotte	N° de pièce	Qtée à commander
AK91	ZRC-9100A	1

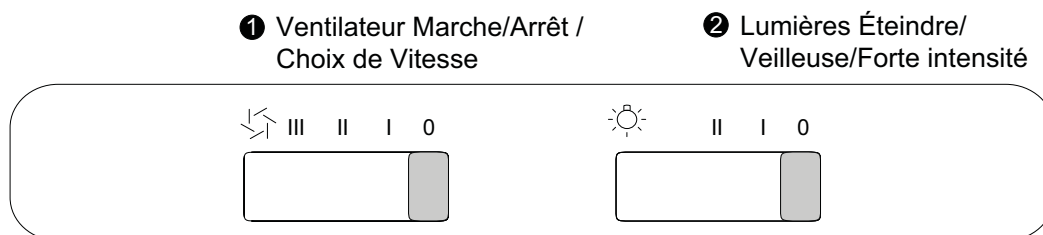
Les filtres à charbon doivent être remplacés environ tous les trois mois, à raison d'une moyenne d'une heure d'utilisation par jour.

Commandez les filtres à charbon comme suit :

Modèle de hotte	N° de pièce	Qtée à commander
AK91	ZOF-C091	2

Pour des instructions d'installation détaillées, consultez le manuel compris avec l'ensemble de reprise d'air





**1 Ventilateur Marche/Arrêt/Choix de Vitesse**

À 0 l'appareil est éteint; I équivaut à la vitesse lente, II à la vitesse moyenne et III à la vitesse maximale.

**2 Lumières Éteindre/Forte intensité/Veilleuse**

À 0 la lampe est éteinte, I équivaut à la veilleuse et II à la forte intensité.

## ENTRETIEN DES SURFACES :

Nettoyez régulièrement les surfaces de la hotte avec de l'eau savonneuse chaude et un chiffon de coton propre. N'utilisez pas de détergent abrasif ou corrosif, de laines d'acier ou de tampons à récurer; ils égratigneront et endommageront les surfaces. . N'utilisez pas de produits à blanchir au chlore ou d'agents nettoyants « oranges ».

Pour les taches plus tenaces, utilisez du produit dégraissant liquide.

Après le nettoyage, vous pouvez polir les surfaces avec des produits de polissage à acier inoxydable non abrasifs pour redonner de l'éclat et du lustre aux surfaces. Frottez toujours doucement et dans le sens du grain avec de la microfibre ou un chiffon de coton propre.

### filtres de maille métalliques

Les filtres de maille métalliques ont pour fonction de filtrer les résidus et la graisse résultant de la cuisson. Bien que les filtres ne doivent jamais être remplacés, ils doivent être nettoyés tous les 30 jours ou plus souvent, selon vos habitudes culinaires.

Les filtres peuvent être nettoyés au lave-vaisselle ou être trempé dans de l'eau chaude savonneuse. Séchez les filtres et réinstallez-les avant d'utiliser la hotte.

### Désinstallation des filtres de maille métalliques

1. Poussez sur les poignées des filtres.
2. Faites pivoter le devant du filtre vers le bas.
3. Enlevez le filtre en le tirant vers vous.

### Remplacement des des filtres de maille métalliques :

Modèle de hotte	N° de pièce	Qtée à commander
AK91	50200059	2

## REPLACEMENT DES AMPOULES

**ATTENTION : Les ampoules deviennent extrêmement chaudes lorsqu'allumées.**

**Veillez NE PAS les toucher avant de les avoir éteintes et laissées refroidir. Le contact avec les ampoules chaudes pourrait causer de sérieuses brûlures.**

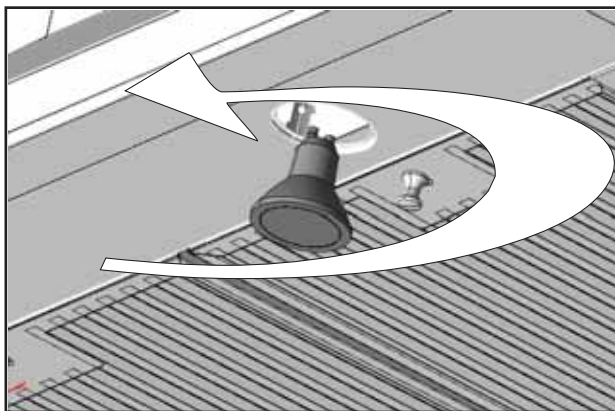
Assurez-vous que l'alimentation électrique est coupée et que les ampoules ne sont pas chaudes.

Enlevez les ampoules en les dévissant dans le sens contraire des aiguilles d'une montre. Note : les ampoules ne se dévissent pas; après une rotation de 60 degrés, elles s'arrêtent et tombent de la douille.

Lorsqu'il est difficile de retirer les ampoules après un usage prolongé, fixez une ventouse équivalant approximativement au diamètre de l'ampoule ou utilisez des gants en latex et tournez.

Les ampoules de remplacement sont disponibles dans les magasins spécialisés en éclairage. Procurez-vous des ampoules halogènes MR-16 (GU-10) de 35 W.

Consultez la page 18 du présent guide pour obtenir les numéros de pièces Zephyr.



Vue du dessous

## PROCÉDURES DE DÉPANNAGE POUR LA HOTTE MONSOON MINI

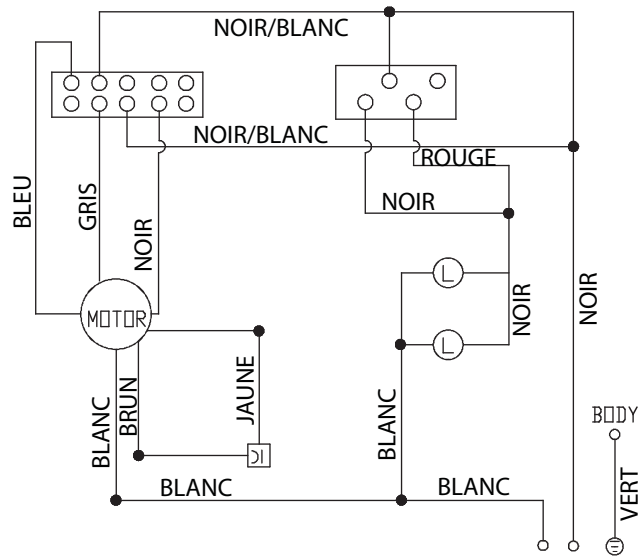
Problème	Cause	Solution
Après l'installation, l'appareil ne fonctionne pas.	1. Le bloc d'alimentation n'est pas allumé	1. Assurez-vous que l'alimentation du disjoncteur et de l'appareil est allumée
	2. La ligne électrique et le raccord de câble ne sont pas correctement branchés	2. Vérifiez que le branchement de l'appareil a été fait correctement
	3. Les fils électriques du tableau de contrôle et de commande sont débranchés	3. Assurez-vous que les fils électriques entre les tableaux de contrôle et de commande sont branchés convenablement
	4. Sur le tableau de contrôle, le fil blanc et noir, ou le fil blanc, est débranché	4. Assurez-vous que le fil blanc et noir, ou le fil blanc, est adéquatement branché
	5. Tableau de contrôle/commande défectueux	5. Remplacez le tableau de contrôle/commande
Les lumières fonctionnent, mais le moteur ne tourne pas.	1. Le moteur est défectueux, possiblement bloqué	1. Remplacez le moteur
	2. Le système de protection thermique détecte que le moteur est trop chaud pour fonctionner et l'éteint.	2. Le moteur fonctionnera normalement lorsque le système de protection thermique aura refroidi
	3. Le condensateur est endommagé	3. Remplacez le condensateur
L'appareil vibre.	1. Le ventilateur n'est pas bien fixé en place	1. Fixez solidement le ventilateur en place
	2. La roue du ventilateur est endommagée	2. Remplacez le ventilateur
	3. La hotte n'est pas bien fixée en place	3. Vérifiez l'installation de la hotte
Le moteur fonctionne, mais pas les lumières.	1. L'ampoule halogène est défectueuse	1. Remplacez l'ampoule halogène
	2. L'ampoule est desserrée	2. Serrez l'ampoule
La hotte ne fonctionne pas bien.	1. La hotte est possiblement installée trop haut par rapport à la cuisinière	1. Ajustez la distance entre la surface de la cuisinière et la base de la hotte entre 26" et 36"
	2. Du vent provenant d'une fenêtre ou d'une porte ouverte avoisinante nuit à la ventilation	2. Fermez toutes les portes et fenêtres pour éliminer les courants d'air
	3. L'ouverture du conduit ou le conduit lui-même est bloqué	3. Enlevez tout ce qui bloque l'ouverture ou le conduit d'aération
	4. L'ouverture du conduit est contre le vent	4. Ajustez l'orientation de l'ouverture du conduit
	5. Mauvaises dimensions de conduit d'aération	5. Remplacez le conduit par un conduit adéquat de 7" de diamètre ou plus pour le ventilateur interne
Le filtre en métal vibre.	1. Le filtre en métal est desserré	1. Assurez-vous que l'attache métallique de la poignée n'est pas brisée.
	2. L'attache métallique de la poignée est brisée	2. Remplacez le filtre métallique.



UTILISEZ SEULEMENT DES AMPOULDES HALOGENES MR16, GU10, 35W **MAX.**

	VOLTS	HZ	MAX AMPS
AK9128AS, AK9134AS	120	60	1.5

Schema de Circuits



Remarques Condensateur 4.5uF 250VCA Adapté à AC120V 60Hz

## Schéma de câblage

## Listes des pièces et des accessoires

DESCRIPTION	N° DE PIÈCE
<b>Pièces de remplacement</b>	
Ampoule MR16 (GU10) 35W	Z0B-0023
Filtre défecteur (chaque)	50200059

Pour commander des pièces, visitez-nous en ligne au [www.zephyronline.com](http://www.zephyronline.com) ou communiquez avec nous par téléphone au 1-888-880-8368

# ZEPHYR

Garantie limitée

## AGRAFEZ VOTRE REÇU ICI

Une preuve de la date d'achat originale est nécessaire pour obtenir du service lorsque le produit est sous garantie

**POUR OBTENIR DU SERVICE SOUS GARANTIE OU POUR TOUTE QUESTION LIÉE À L'ENTRETIEN, veuillez communiquer avec nous au 1-888-880-8368**

Zephyr Ventilation, LLC (désigné aux présentes sous le nom de « nous ») garantit au premier acheteur (désigné aux présentes sous le nom de « vous » ou « votre ») de produits Zephyr (les « Produits ») que lesdits produits sont exempts de défauts de fabrication ou de main-d'œuvre selon les conditions suivantes :

**Garantie de trois ans sur les pièces :** Garantie de trois ans à partir de la date d'achat originale du Produit. Nous fournirons sans frais les Produits ou les pièces (y compris les ampoules LED, le cas échéant) de remplacement qui comportaient des défauts de fabrication. Nous pourrions choisir, à notre seule discrétion, de réparer ou de remplacer des pièces avant de prendre la décision de remplacer le Produit.

**Garantie limitée d'un an sur la main-d'œuvre :** Garantie d'un an à partir de la date d'achat originale du Produit. Nous couvrirons sans frais les frais de main-d'œuvre afférents à la réparation du Produit ou des pièces de remplacement qui comportaient des défauts de fabrication. Un an après la date d'achat originale, vous serez responsable de tous les frais de main-d'œuvre associés à la présente garantie.

**Exclusions de la garantie :** Cette garantie ne couvre que la réparation ou le remplacement, à notre gré, de pièces ou de Produits défectueux et ne couvre aucun autre coût afférent aux Produits, dont, sans s'y limiter, les frais liés : (a) à l'entretien normal des Produits et au remplacement des pièces consommables, comme les fluorescent, incandescence ou halogèneampoules, les filtres métalliques, les filtres à charbon et les fusibles; (b) à tout Produit ou pièce ayant été endommagé durant le transport ou étant le résultat d'un mauvais usage, d'une négligence, d'un accident, d'une installation incorrecte ou ne respectant pas les notices d'installation recommandées, d'un entretien ou d'une réparation inapproprié (dont ne nous sommes pas responsables); (c) à une utilisation commerciale ou ne correspondant pas à l'utilisation pour laquelle les Produits sont conçus; (d) à l'usure naturelle du fini, à l'usure due à un entretien inadéquat, à l'utilisation de produits nettoyants corrosifs ou abrasifs, de tampons nettoyeurs et de produits de nettoyage pour le four; (e) aux éclats, entailles ou fissures résultant d'un abus ou d'une mauvaise utilisation du Produit; (f) aux déplacements d'un technicien de service à votre domicile pour vous montrer comment utiliser les Produits; (g) aux dommages causés par un accident, un incendie, une inondation, un cas fortuit; ou (h) Les installations personnalisées ou modifications qui ont un impact maintenabilité du Produit. Si vous vous trouvez à l'extérieur du territoire que nous desservons, des frais supplémentaires pourraient s'appliquer pour la livraison des produits à nos points de service désignés pour une réparation sous garantie ou vous pourriez avoir à déboursier les frais de déplacement du technicien à votre domicile pour que le Produit soit réparé, enlevé ou réinstallé. Un an après la date d'achat originale du Produit, vous êtes également responsable de tous les frais de main-d'œuvre associés à la présente garantie.

**Restrictions de la garantie. NOTRE OBLIGATION DE RÉPARER OU DE REMPLACER, À NOTRE GRÉ, LE PRODUIT CONSTITUE VOTRE SEUL ET UNIQUE RECOURS SOUS LA PRÉSENTE GARANTIE. NOUS NE NOUS PORTONS PAS RESPONSABLES POUR TOUT DOMMAGE INDIRECT, ACCESSOIRE OU PARTICULIER RÉSULTANT OU AYANT UN LIEN AVEC L'UTILISATION OU LE RENDEMENT DES PRODUITS. LES GARANTIES EXPRESSES DE LA SECTION PRÉCÉDENTE SONT EXCLUSIVES ET TIENNENT LIEU DE TOUTE AUTRE GARANTIE EXPRESSE. PAR LES PRÉSENTES, NOUS REJETONS ET EXCLUONS TOUTE AUTRE GARANTIE EXPRESSE POUR LES PRODUITS ET TOUTES LES GARANTIES TACITES PRÉVUES PAR LA LOI, DONT CELLES RELATIVES À LA QUALITÉ MARCHANDE OU À L'ADÉQUATION DU PRODUIT POUR UNE UTILISATION PARTICULIÈRE.** Certains États ou provinces n'autorisent pas les restrictions sur la durée d'une garantie implicite ou l'exclusion ou la restriction des dommages indirects ou accessoires; par conséquent, les exclusions et restrictions mentionnées ci-dessus pourraient ne pas s'appliquer à votre cas. Dans la mesure où une loi applicable interdit l'exclusion de garanties implicites, la durée de toute garantie implicite applicable se limite à la période de deux ans décrite ci-dessus. L'unique objectif de toute description orale ou écrite est de présenter les Produits et celle-ci ne devrait pas être interprétée comme une garantie expresse. Avant d'utiliser ou de permettre l'utilisation des Produits, vous devrez déterminer si les Produits conviennent aux utilisations prévues et vous devrez assumer tout risque et toute responsabilité relatifs à ces utilisations. Nous nous réservons le droit d'utiliser des pièces reconstruites ou remises à neuf pour remplacer l'une des fonctionnalités dans le cadre de la présente garantie ou de l'une des parties de la présente garantie. L'acheteur original ne peut transférer la présente garantie et celle-ci n'est valide qu'aux États-Unis et au Canada.

**Pour obtenir du service sous la garantie :** Pour avoir droit à du service sous garantie, vous devez : (a) nous avertir en utilisant l'adresse ou le numéro de téléphone inscrit ci-dessous dans les soixante jours suivant la détection du défaut; (b) donner le numéro du modèle, le numéro d'identification de la pièce ainsi que le numéro de série; et (c) décrire la nature de tout défaut de la pièce ou du Produit. Au moment de faire la demande de service sous garantie, vous devrez présenter votre preuve d'achat et la preuve de la date d'achat originale. Si nous déterminons que les exclusions de la garantie énumérées ci-dessus s'appliquent ou si vous vous trouvez dans l'incapacité de nous fournir la documentation nécessaire pour obtenir du service, vous serez responsable de tous les frais d'expédition, de déplacement, de main-d'œuvre ou de tout autre coût afférent au service.

Veuillez consulter notre site Web au [www.zephyronline.com](http://www.zephyronline.com) pour savoir si des révisions ont été apportées à la garantie.

**Zephyr Ventilation Service Department, 2277 Harbor Bay Parkway, Alameda, CA 94502 1-888-880-8368**

AUG14.0401

Garantie

## ENREGISTRMENT DU PRODUIT

Nous vous félicitons d'avoir acheté une hotte Zephyr. Veuillez prendre un moment pour enregistrer votre nouvelle hotte au [www.zephyronline.com/registration](http://www.zephyronline.com/registration)

### C'EST IMPORTANT

Cet enregistrement rapide est utile à bien des égards.

- Il assure la couverture de votre garantie si vous avez besoin de service après-vente.
- À des fins d'assurance, il permet de confirmer que vous êtes le propriétaire.
- Il vous permet de recevoir des avis concernant des modifications ou des rappels de produits.



Zephyr Ventilation | 2277 Harbor Bay Pkwy. | Alameda, CA 94502 | 1.888.880.8368