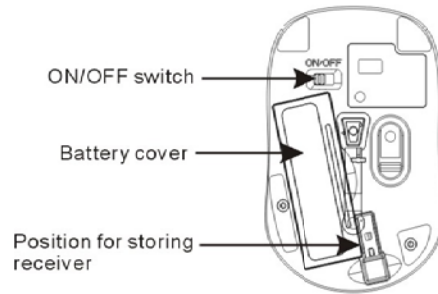


User Manual

Package contents

Wireless Optical Mouse
USB receiver
2 AAA alkaline batteries
User manual

Installing the battery (Diagram 1)



(Diagram 1)



(Diagram 2)

Whenever new batteries are installed, make sure that they are fresh 1.5V AAA batteries.

- A) Remove the battery cover.
- B) Insert two AAA batteries into the battery compartment, make sure to properly orient the positive (+) and negative (-) ends as specified by the marks in the battery compartment. Replace the battery cover and make sure it is locked.
- C) Switch on the mouse, the LED in bottom of mouse will blink.

Installing the receiver (Diagram 2)

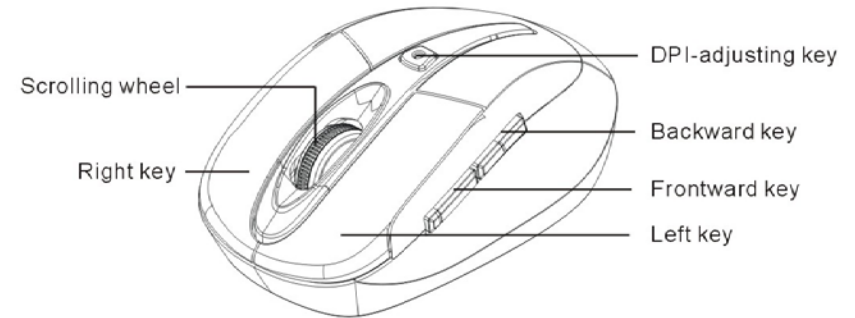
The codes of receiver and mouse were successfully connected in factory. User can directly use the complete set of products, no worry about the code connecting.

- A) Insert receiver into USB port of PC, the computer system will automatically detect it and prepare it for full operation.
 - B) The mouse may use then.
- If the user wrongly operates, please redo the above operating procedures.

"ON/OFF" switch (Diagram 1)

Without using the mouse, user may turn off it by "ON/OFF" switch for saving battery power.

Description of keys and DPI adjusting



System requirements

Windows 2000/XP/Vista/7

FCC Statement

This equipment has been tested and found to comply with the limits for a Class B digital device, pursuant to part 15 of the FCC rules. These limits are designed to provide reasonable protection against harmful interference in a residential installation. This equipment generates, uses and can radiate radio frequency energy and, if not installed and used in accordance with the instructions, may cause harmful interference to radio or television reception. However, there is no guarantee that interference will not occur in a particular installation. If this equipment does cause harmful interference to radio or television reception, which can be determined by turning the equipment off and on, the user is encouraged to try to correct the interference by one or more of the following measures:

- Reorient or relocate the receiving antenna.
- Increase the separation between the equipment and receiver.
- Connect the equipment into an outlet on a circuit different from that to which the receiver is connected.
- Consult the dealer or an experienced radio/TV technician for help.

To assure continued compliance, any changes or modifications not expressly approved by the party responsible for compliance could void the user's authority to operate this equipment. (Example- use only shielded interface cables when connecting to computer or peripheral devices).

FCC Radiation Exposure Statement

This equipment complies with FCC RF radiation exposure limits set forth for an uncontrolled environment. This transmitter must not be co-located or operating in conjunction with any other antenna or transmitter.

This equipment complies with Part 15 of the FCC Rules. Operation is subject to the following two conditions:

- (1) This device may not cause harmful interference, and
- (2) This device must accept any interference received, including interference that may cause undesired operation.

Caution!

The manufacturer is not responsible for any radio or TV interference caused by unauthorized modifications to this equipment. Such modifications could void the user authority to operate the equipment.

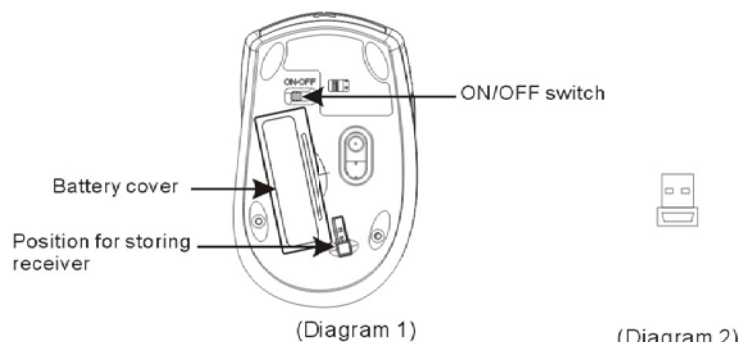
Address: Tongsheng Office Building, Dalang Street, Baoan District, Shenzhen, China
ZIP: 518109
Tel: 0755-33669899
Fax: 0755-33668968
Http://www.newmen.com.cn

User Manual

Package contents

2.4G Wireless Optical Mouse
Nano USB receiver
2 AAA alkaline batteries
User manual

Installing the battery (Diagram 1)



Whenever new batteries are installed, make sure that they are fresh 1.5V AAA batteries.

- Remove the battery cover.
- Insert two AAA batteries into the battery compartment, make sure to properly orient the positive (+) and negative (-) ends as specified by the marks in the battery compartment. Replace the battery cover and make sure it is locked.
- Switch on the mouse, the LED in bottom of mouse will blink.

Installing the receiver (Diagram 2)

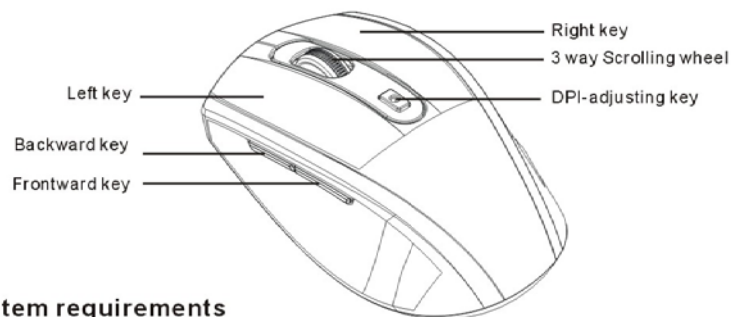
The codes of receiver and mouse were successfully connected in factory. User can directly use the complete set of products, no worry about the code connecting.

- Insert receiver into USB port of PC, the computer system will automatically detect it and prepare it for full operation.
 - The mouse may use then.
- If the user wrongly operates, please redo the above operating procedures.

"ON/OFF" switch (Diagram 1)

Without using the mouse, user may turn off it by "ON/OFF" switch for saving battery power.

3. Description of keys and DPI adjusting



System requirements

Windows ME/2000/XP/Vista

FCC Statement

This equipment has been tested and found to comply with the limits for a Class B digital device, pursuant to part 15 of the FCC rules. These limits are designed to provide reasonable protection against harmful interference in a residential installation. This equipment generates, uses and can radiate radio frequency energy and, if not installed and used in accordance with the instructions, may cause harmful interference to radio communications. However, there is no guarantee that interference will not occur in a particular installation. If this equipment does cause harmful interference to radio or television reception, which can be determined by turning the equipment off and on, the user is encouraged to try to correct the interference by one or more of the following measures:

- Reorient or relocate the receiving antenna.
 - Increase the separation between the equipment and receiver.
 - Connect the equipment into an outlet on a circuit different from that to which the receiver is connected.
 - Consult the dealer or an experienced radio/TV technician for help.
- To assure continued compliance, any changes or modifications not expressly approved by the party responsible for compliance could void the user's authority to operate this equipment. (Example- use only shielded interface cables when connecting to computer or peripheral devices).

FCC Radiation Exposure Statement

This equipment complies with FCC RF radiation exposure limits set forth for an uncontrolled environment. This transmitter must not be co-located or operating in conjunction with any other antenna or transmitter.

This equipment complies with Part 15 of the FCC Rules. Operation is subject to the following two conditions:

- (1) This device may not cause harmful interference, and
- (2) This device must accept any interference received, including interference that may cause undesired operation.

Caution!

The manufacturer is not responsible for any radio or TV interference caused by unauthorized modifications to this equipment. Such modifications could void the user authority to operate the equipment.

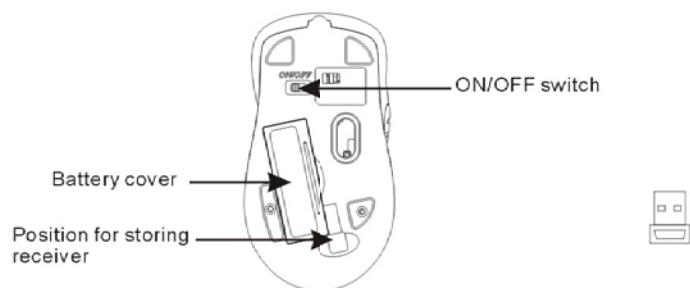
Address: Tongsheng Office Building, Dalang Street, Baoan District, Shenzhen, China
ZIP: 518109
Tel: 0755-33669899
Fax: 0755-33668968
Http://www.newmen.com.cn

User Manual

Package contents

2.4G Wireless Optical Mouse
Nano USB receiver
2 AAA alkaline batteries
User manual

Installing the battery (Diagram 1)



(Diagram 1)

(Diagram 2)

Whenever new batteries are installed, make sure that they are fresh 1.5V AAA batteries.

A) Remove the battery cover.

B) Insert two AAA batteries into the battery compartment, make sure to properly orient the positive (+) and negative (-) ends as specified by the marks in the battery compartment. Replace the battery cover and make sure it is locked.

C) Switch on the mouse, the LED in bottom of mouse will blink.

Installing the receiver (Diagram 2)

The codes of receiver and mouse were successfully connected in factory. User can directly use the complete set of products, no worry about the code connecting.

A) Insert receiver into USB port of PC, the computer system will automatically detect it and prepare it for full operation.

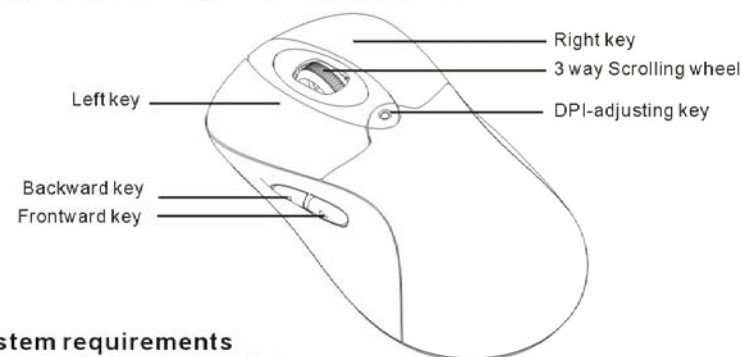
B) The mouse may use then.

If the user wrongly operates, please redo the above operating procedures.

"ON/OFF" switch (Diagram 1)

Without using the mouse, user may turn off it by "ON/OFF" switch for saving battery power.

3. Description of keys and DPI adjusting



System requirements

Windows ME/2000/XP/Vista

FCC Statement

This equipment has been tested and found to comply with the limits for a Class B digital device, pursuant to part 15 of the FCC rules. These limits are designed to provide reasonable protection against harmful interference in a residential installation. This equipment generates, uses and can radiate radio frequency energy and, if not installed and used in accordance with the instructions, may cause harmful interference to radio communications. However, there is no guarantee that interference will not occur in a particular installation. If this equipment does cause harmful interference to radio or television reception, which can be determined by turning the equipment off and on, the user is encouraged to try to correct the interference by one or more of the following measures:

- Reorient or relocate the receiving antenna.
- Increase the separation between the equipment and receiver.
- Connect the equipment into an outlet on a circuit different from that to which the receiver is connected.
- Consult the dealer or an experienced radio/TV technician for help.

To assure continued compliance, any changes or modifications not expressly approved by the party responsible for compliance could void the user's authority to operate this equipment. (Example- use only shielded interface cables when connecting to computer or peripheral devices).

FCC Radiation Exposure Statement

This equipment complies with FCC RF radiation exposure limits set forth for an uncontrolled environment. This transmitter must not be co-located or operating in conjunction with any other antenna or transmitter.

This equipment complies with Part 15 of the FCC Rules. Operation is subject to the following two conditions:

- (1) This device may not cause harmful interference, and
- (2) This device must accept any interference received, including interference that may cause undesired operation.

Caution!

The manufacturer is not responsible for any radio or TV interference caused by unauthorized modifications to this equipment. Such modifications could void the user authority to operate the equipment.

Address: Tongsheng Office Building, Dalang Street, Baoan District, Shenzhen, China
ZIP: 518109
Tel: 0755-33669899
Fax: 0755-33668968
Http: /www.newmen.com.cn