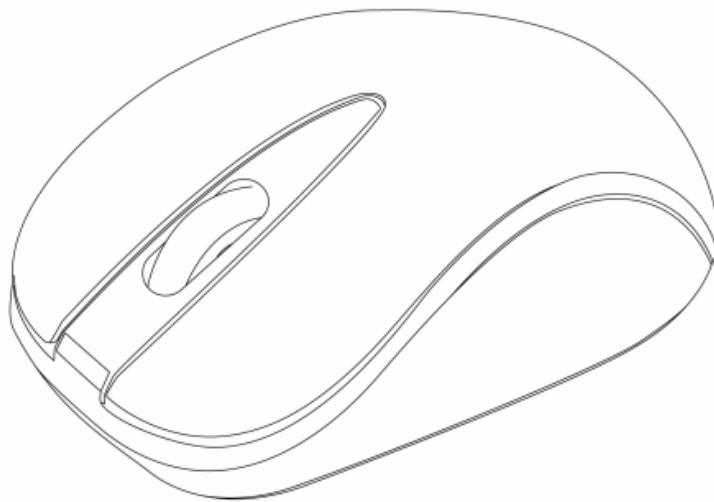




# GEARHEAD

## WIRELESS NANO OPTICAL MOUSE



### User Manual

To provide quality customer service and technical support, it is suggested that you keep the following information as well as your store receipt and this user manual.

**Date of Purchase:** \_\_\_\_\_

**Product Rev. Number (located below the UPC on the package):** \_\_\_\_\_

## **FCC RADIATION NORM**

### **FCC**

This device complies with Part 15 of the FCC Rules. Operation is subject to the following two conditions : (1) this device may not cause harmful interference, and (2) this device must accept any interference received, including interference that may cause undesired operation.

### **FCC Compliance Statement**

These limits are designed to provide reasonable protection against frequency interference in residential installation. This equipment generates, uses, and can radiate radio frequency energy, and if not installed or used in accordance with the instructions, may cause harmful interference to radio communication. However, there is no guarantee that interference will not occur in television reception, which can be determined by turning the equipment off and on. The user is encouraged to try and correct the interference by one or more of the following measures:

- Reorient or relocate the receiving antenna.
- Increase the separation between the equipment and the receiver.
- Connect the equipment into an outlet on a circuit different from that to which the receiver is connected.
- Consult the dealer or an experienced radio/TV technician for help.



### **CAUTION!**

The Federal Communications Commission warns the user that changes or modifications to the unit not expressly approved by the party responsible for compliance could void the user's authority to operate the equipment.

## PACKAGE CONTENTS

Inside of the package you will find:

- Wireless Nano Optical Mouse
- USB nano receiver
- 1 AA battery
- User Manual
- Warranty Information

## SYSTEM REQUIREMENTS

Please be sure that your devices meet all of the system requirements below to avoid difficulties during installation:

Compatible with PCs, Mac® computers, and Chromebook™ notebook computers

Work with:

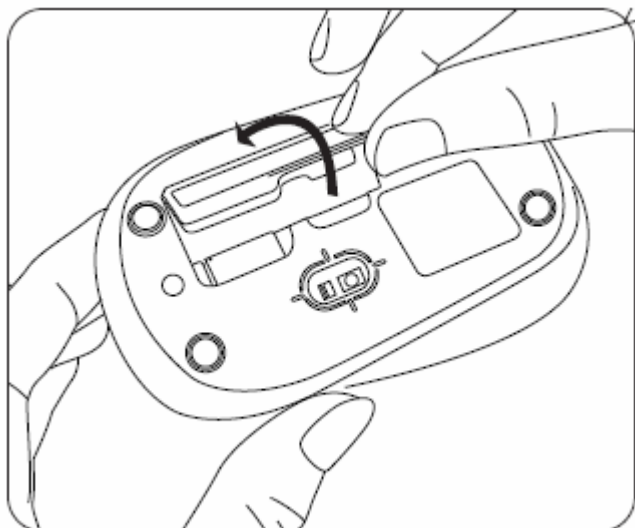
- Windows® XP, Windows® Vista, Windows® 7 and Windows® 8 operating systems
- Mac OS X® 10.3 and above
- An available USB port

## SPECIFICATIONS

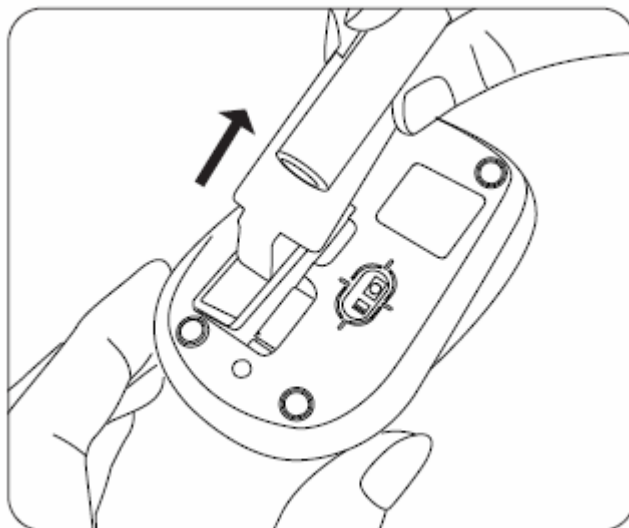
Dimensions	8.6" x 1.1" x 5.7"
Connectivity	2.4GHz wireless technology
Range	Up to 30 ft.
Battery	1 AA battery
DPI	1000

## INSTALLING BATTERY:

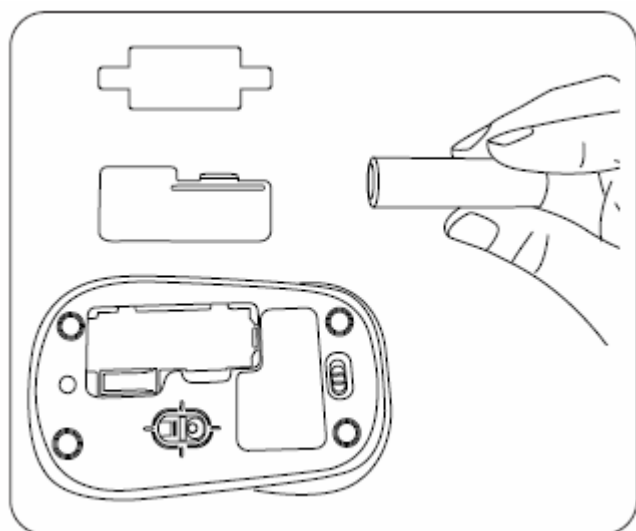
1.



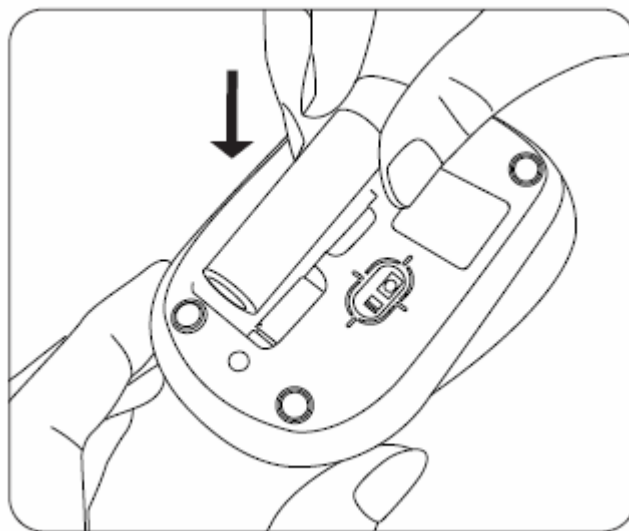
2.



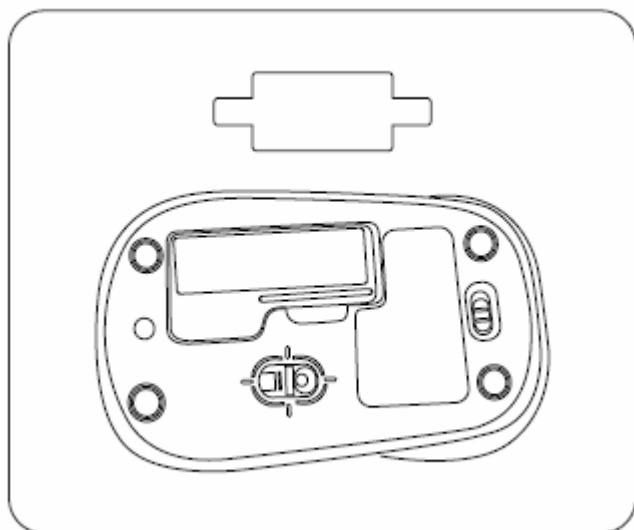
3.



4.

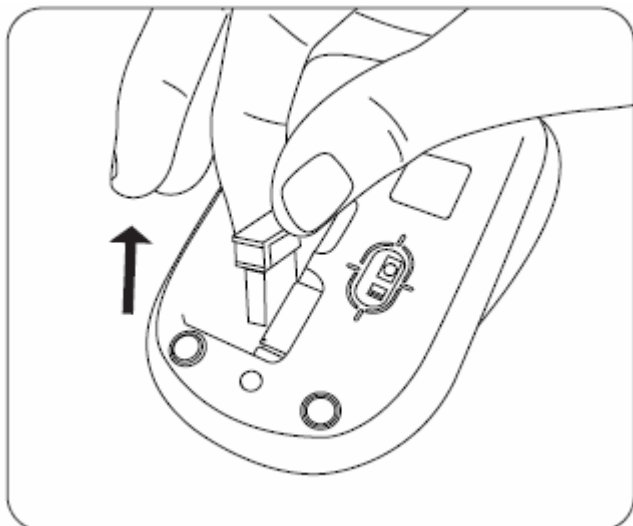


5.

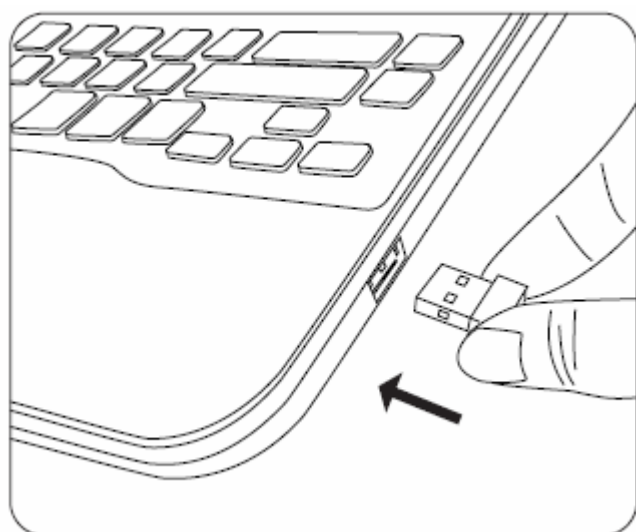


## INSTALLATION:

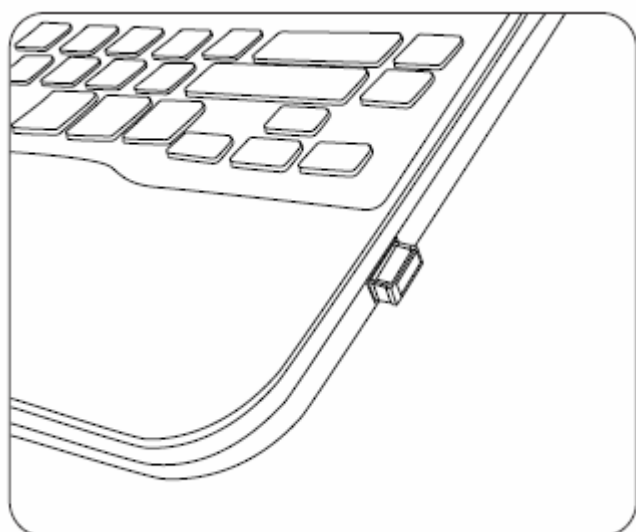
1.



2.



3.



## CHANGING THE SPEED OF YOUR MOUSE:

To adjust the speed of the cursor or the scroll button features on your computer, please follow the instructions below:

**NOTE:** The screenshots show in this section are for demonstration only and your screen may look slightly different but with similar options.

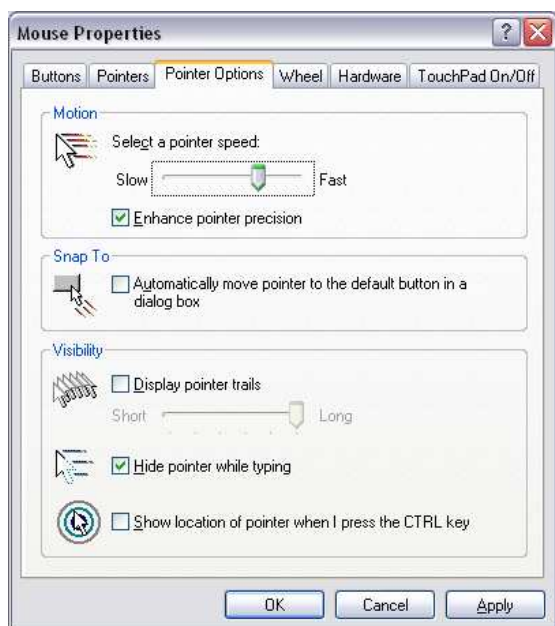
### For Windows® operating systems

Open the “**Control Panel**”, and double-click the “**Mouse**” icon to open the mouse properties screen, and then select the “**Pointer Options**”. After you have made your changes; select “**Apply**”, and then “**OK**”.

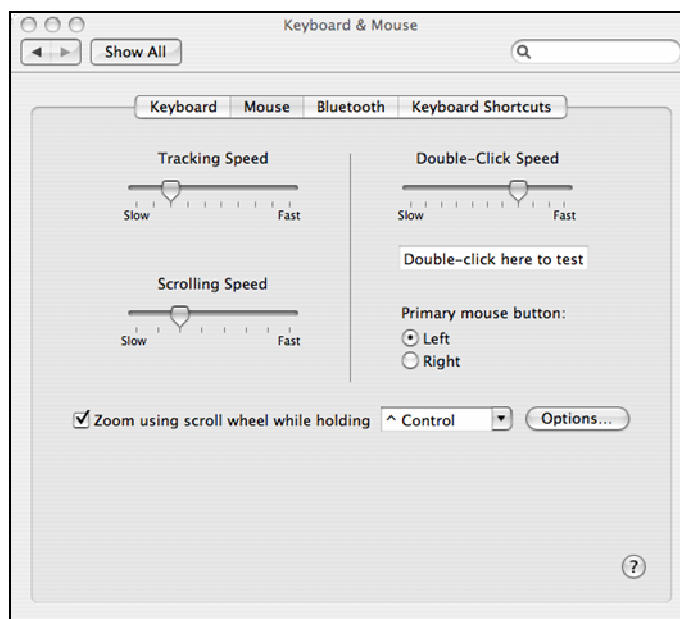
### For Mac OS X® 10.3 and Above

Open the “**System Preferences**”. At the **System Preferences** screen, click the “**Keyboard & Mouse**” icon to open the **Keyboard & Mouse** screen, and then select the “**Mouse**” tab and make your changes.

#### Windows® operating systems



#### Mac OS X® 10.3 and Above







# GEARHEAD

## **WARRANTY INFORMATION**

### **Limited Lifetime Warranty**

Gear Head, LLC warrants that this product shall be free from defects in materials and workmanship for the reasonable lifetime of the product. If the product is defective, Gear Head, LLC's sole obligation under this warranty shall be at its election, subject to the terms of this warranty, to repair or replace any parts deemed defective. This warranty is for the exclusive benefit of the original purchaser and is not assignable or transferable. THIS WARRANTY IS MADE IN LIEU OF ALL OTHER WARRANTIES, EXPRESS OR IMPLIED, AND ANY IMPLIED WARRANTIES, INCLUDING THE IMPLIED WARRANTIES OF MERCHANTABILITY AND FITNESS FOR A PARTICULAR PURPOSE, ARE LIMITED TO THE TERMS OF THIS WARRANTY, UNLESS OTHERWISE PROHIBITED BY LAW.

### **Exclusions**

To the fullest extent permitted by law, Gear Head, LLC expressly disclaims and excludes from this warranty any liability for damages, including but not limited to general, special, indirect, incidental, consequential, aggravated, punitive or exemplary damages, and economic loss (even if Gear Head is informed of their possibility), third party claims against you, including for any loss or damages, and claims or damages related to loss of, or, damage to, your records or data. This warranty does not apply to any product the exterior of which has been damaged or defaced. This warranty will be voided by misuse, improper physical environment, improper repair, acts of God, war or terror, commercial use, and improper service, operation or handling.

### **Technical Support**

Please access Technical Support on the web at [www.pcgearhead.com](http://www.pcgearhead.com) or contact our technicians at [info@pcgearhead.com](mailto:info@pcgearhead.com) for help.

Gear Head provides phone support, 866-890-7115, Monday-Friday from 9:00am-5:30pm Eastern Time. Before calling, please make sure you have the Model # (located on the front page of your User Manual) and information regarding your computer's operating system.

### **Return Merchandise for Service**

Any claim under this warranty must be made in writing to Gear Head, LLC, within 30 days after the owner discovers the circumstances giving rise to any such claim, and must include a copy of this warranty document, a receipt or copy of your invoice marked with the date of purchase, and the original packaging. You may contact us on the web at [www.pcgearhead.com](http://www.pcgearhead.com) or by emailing us at [info@pcgearhead.com](mailto:info@pcgearhead.com) to receive service or request a return service authorization.