

Robstep X1 Manual

- ◆ Thank you for choosing and purchasing Robstep X1.
- ◆ This manual is designed to help you assemble, use and maintain Robstep X1 quickly.

Contents

1. Introduction of Manual	1
1.1 Overview	1
1.2 Reading Guide	1
1.3 Description of Warning Signs	2
2. Introduction of Robstep X1	3
2.1 Three Views of Robstep X1	3
2.2 Product Description	3
2.3 Product Information	4
2.3.1 Basic Parts	4
2.3.2 Remote Controller	5
2.3.3 Display Panel	6
2.3.4 USB Charging Port & Bluetooth Audio	7
2.3.5 Lithium Battery	8
2.4 Parameters of Robstep X1	12
3. Operation of Robstep X1 & Safety Notice	13
3.1 Operation Description	13
3.2 Safety Notice	17
3.2.1 Weight Limit for User	17
3.2.2 Maximum Driving Distance	17
3.2.3 Speed Limit	17
3.2.4 Brake Description	18
3.2.5 Using Environment	18
3.3 Other Safety Notices	19
4. Maintenance of Robstep X1	19
4.1 Maintenance	19
4.2 Cleaning	20
4.3 Handling	20
4.4 Storage	20
5. Failure Treatment	21

1. Introduction of Manual

1.1 Overview

- ◆ Introducing features of Robstep X1
- ◆ Describing safety and warning information
- ◆ Introducing parts of Robstep X1
- ◆ Notes for safe driving
- ◆ Maintenance methods

1.2 Reading Guide



- ◆ This manual is designed to help you use Robstep X1 correctly.

WARNING

-
- ◆ When driving Robstep X1, you may suffer injury from falling, losing control, collision, etc. To reduce unknown risks, please read this manual carefully.
-

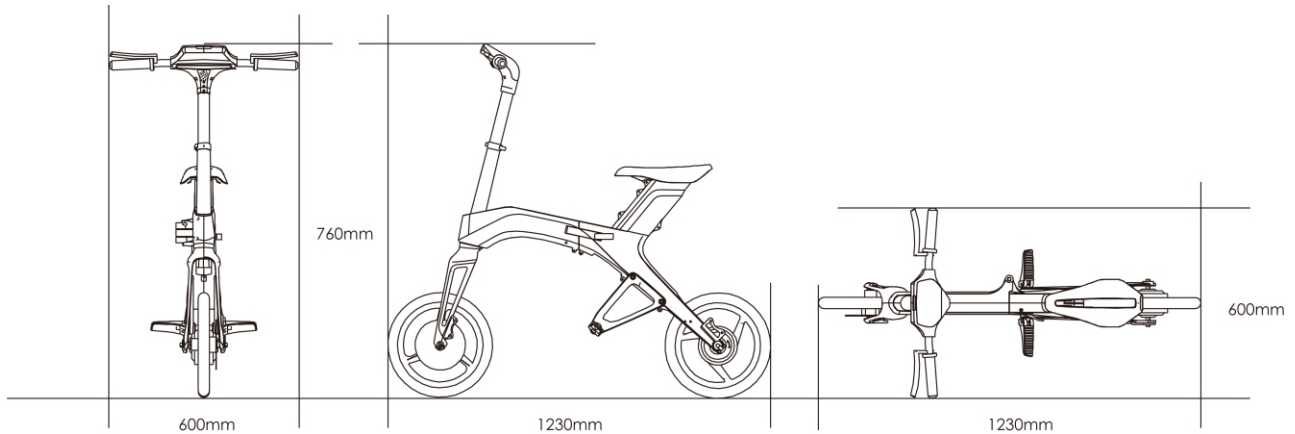
1.3 Description of Warning Signs

When reading this manual, please pay special attention to the following warning information:

 WARNING	Warning: The user's improper operation may cause injury
 NOTE	Note: Things requiring user's attention

2. Introduction of Robstep X1

2.1 Three Views of Robstep X1

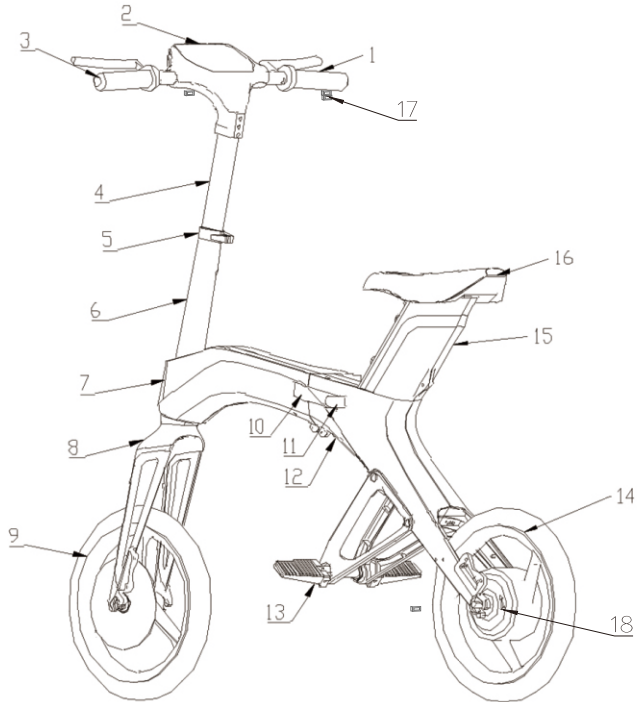


2.2 Product Description

- ◆ The product you purchased is Robstep X1 lithium battery foldable vehicle, which is developed and produced by Robstep.
- ◆ Robstep X1 is the latest product launched by Robstep with great innovation in user experience, safety, appearance, etc., which provides user with superior driving experience.
- ◆ Robstep X1 is suitable for private trips, tourism and entertainment, mixed mode transport, etc., which is the best solution for city short distance transportation.

2.3 Product Information

2.3.1 Basic Parts



1. Accelerator

10. Folding Joint Piece

2. Display Panel

11. Folding Button

3. Brake Handlebar

12. Battery

4. Upper Telescopic Rod

13. Pedal

5. Clamp

14. Rear Motor

6. Lower Telescopic Rod

15. Rear Case

7. Front Case

16. Saddle

8. Front Fork

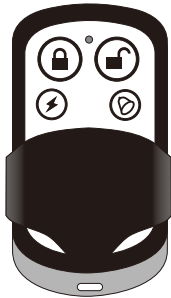
17. On / Off Button

9. Front Tire



18. Speed Reducer


2.3.2 Remote Controller

- ◆ The remote controller for Robstep X1 is a device with function-control feature, and the maximum remote control distance is 10m. User can remote control Robstep X1 within this range. If the distance is beyond 10m, Robstep X1 can't get started.





.....

Long press  +  simultaneously to let controller enter into matching mode.

When Robstep X1 is turned on, press  to enter into parking mode.

.....

Press  to switch total mileage and single ride mileage.
If long pressing  at single ride mileage mode, the mileage will be reset to zero.

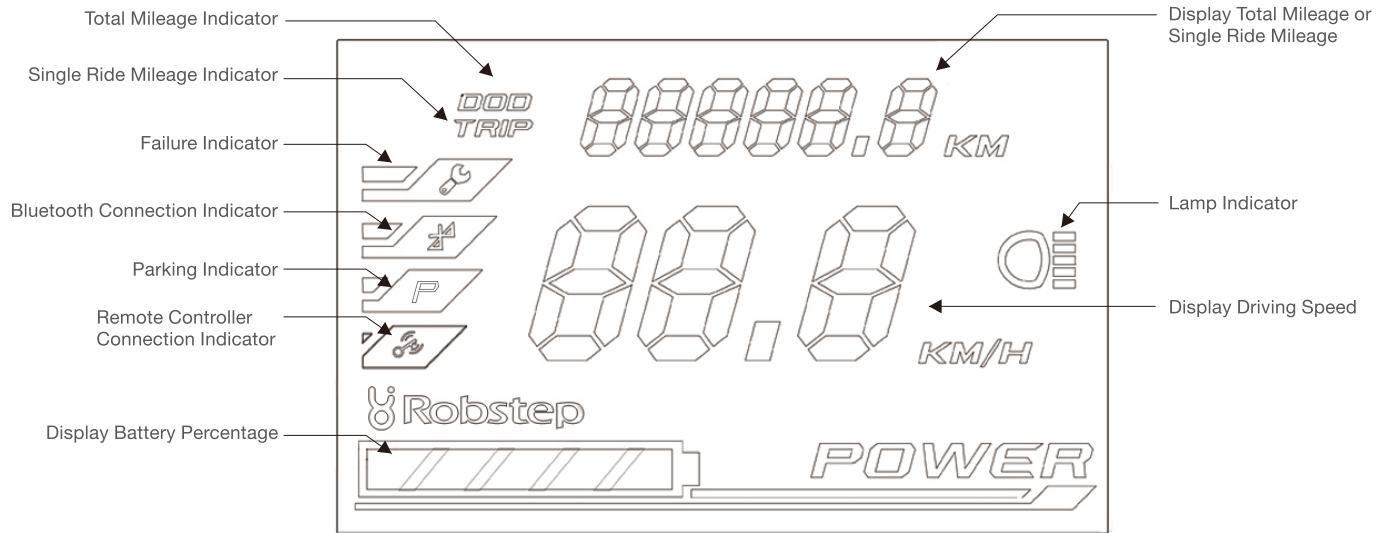
Press  to shut down Robstep X1.

WARNING

- ◆ Ensure the battery has been installed into Robstep X1 correctly before operating remote controller.
- ◆ Please keep the remote controller in dry and ventilated environment.

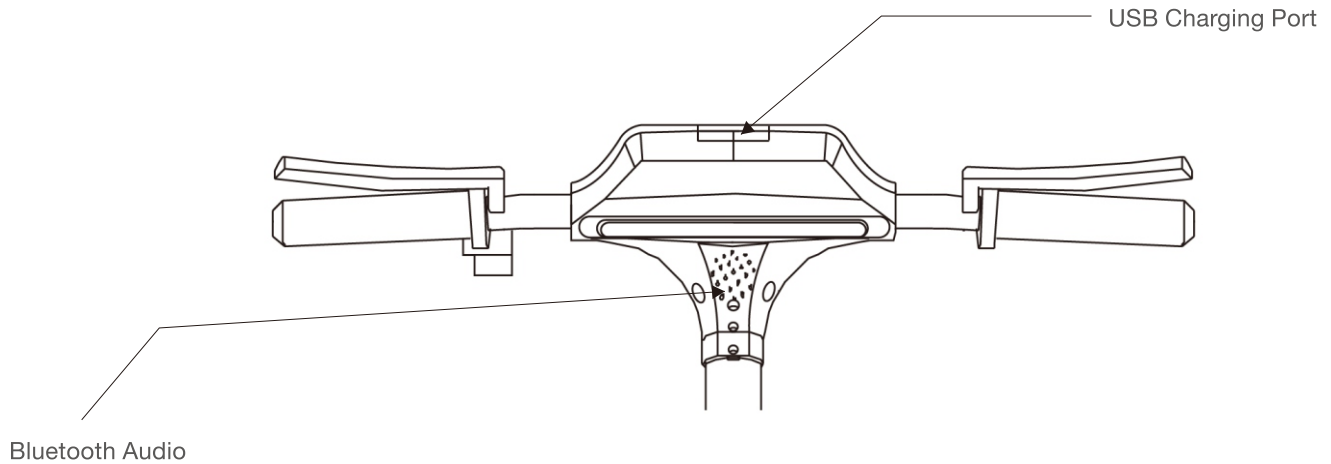
2.3.3 Display Panel

- ◆ The display panel shows the operation status of Robstep X1.



2.3.4 USB Charging Port & Bluetooth Audio

- ◆ Other electronic products, such as mobile phone, iPad, etc. can be charged through USB charging port.
- ◆ Waterproof Bluetooth audio can connect mobile phone or iPad to play music.



2.3.5 Lithium Battery

- ◆ This section mainly introduces the specification, correct charging method, maintenance method, safety notes, etc. of the battery of Robstep X1.

2.3.5.1 Specifications of Battery

Type	Lithium Battery
Charging Time	3 hrs
Voltage	48 V
Weight	1.7 kg (Only for reference, be subject to actual weight)
Initial Capacity	4400 mAh
Working Temperature	-20°C~60°C (Recommend 0°C~45°C)
Charging Temperature	0°C~45°C (Recommend 10°C~30°C)
Relative Humidity of Storage	80±25% R.H.

2.3.5.2 Capacity Depletion of Battery

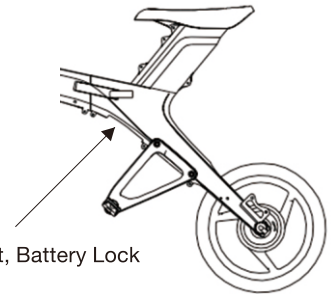
- ◆ If battery percentage doesn't show up on the display panel, it means the battery capacity is extremely low, user must stop driving. In this case, if user does not stop driving, the lifespan of the battery would be shortened significantly.

WARNING

-
- ◆ User should pay attention to the prompt on the display panel and operate correspondingly for safety when driving.
-

2.3.5.3 Battery Charging Steps

- ◆ Insert one end of charging cable into the charging port on Robstep X1 (make sure the charging port is dry), and then insert the plug of the charger into the power socket.
- ◆ When the indicator of the charger turns to green from red, it means the battery is fully charged.
- ◆ The battery can be charged directly when locked at Robstep X1. And the battery can be detached to charge also.



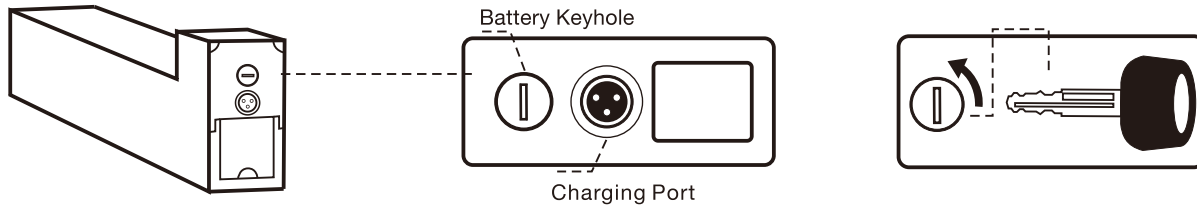
WARNING

-
- ◆ Please use local standard plug.
 - ◆ Please charge and store the battery as described in the manual. Improper operation may cause damage to the battery and shorten the lifespan of the battery.
 - ◆ The time to fully charge Robstep X1 is around 3 hours, and the charger current will be cut off automatically after full charge.
 - ◆ The battery has a limited lifespan. After 600 cycles, the capacity declines to 80% of the original capacity, and the using time may be shortened rapidly even if the battery is fully charged.
 - ◆ Please fully charge the battery before first ride. The battery will discharge gradually if it is not used for some time.
 - ◆ The battery can be charged before capacity depletion.
 - ◆ Please charge the battery under 10°C to 30°C as to keep battery at optimum performance.
 - ◆ It is normal that the battery heats up after being used for a long time.

- ◆ In cold places, the driving distance will be shortened even if used a fully charged battery.
 - ◆ Please charge in clean and dry environment.
 - ◆ Please do not charge if the charging port is wet.
 - ◆ Please do not throw the battery into fire, heat the battery, or store the battery under high temperature.
 - ◆ Please do not throw the battery into water. Store it under dry conditions.
 - ◆ Please do not insert conductive articles into charging port, which may result in damage to internal electronic devices.
 - ◆ Do not modify the battery.
-

2.3.5.4 Direction for Using Battery Lock

- ◆ Insert key into the keyhole, press the key slightly and rotate counter clockwise to lock the battery.



2.3.5.5 Ultra-High or Ultra-Low Temperature

- ◆ When the working temperature of the battery is within the recommended temperature described in above battery specification, Robstep X1 will operate at highest efficiency. If the temperature of the battery is too high or too low during driving, it may cause safety risks.
- ◆ The temperature before and during charge must be within above mentioned working temperature range. When the temperature is within the recommended value, the charging efficiency will be higher. If the temperature is too low or too high, the charging time will be extended or the battery can not be fully charged.
- ◆ Under low temperature, the driving distance will be shortened.