

# STAND ALONE DIGITAL LOCK

DoorKing's 1515 Digital Lock is designed to manage an access point without needing an access control system. The digital lock can store up to 400 codes in memory for "Momentary" or "Hold Open" entry. Its relay output can control an electric strike, magnetic lock or gate operator. Request to Exit input (Free exit) allows an exit button to open the door or gate. Program the digital lock with the **built-in keypad** or an **ANDROID smartphone** using the **DKS Digital Lock Manager** app with NFC - Near Field Communication programming. You can use an Android smartphone and the **DKS Smart Open** app (free download at Google Play Store) to open the door or gate that is connected to the 1515. It can be programmed for low power mode (less than 1 mA current draw) for use with solar applications.

## Installation

The 1515 can be mounted indoors/outdoors directly to a wall/pilaster or a DoorKing gooseneck mounting post (Optional). Do not mount the digital lock to a moving gate, or immediately next to a gate panel or pedestrian gate. Continuous vibration from slamming gates and vibration can cause damage to the unit over time. **WARNING!** If the digital lock is used to activate a vehicular gate operator, it must be mounted a minimum of 6 feet away from the gate and gate operator, or in such a way that the user cannot come into contact with the gate or gate operator while using the digital lock. **Digital Lock MUST be properly grounded.**

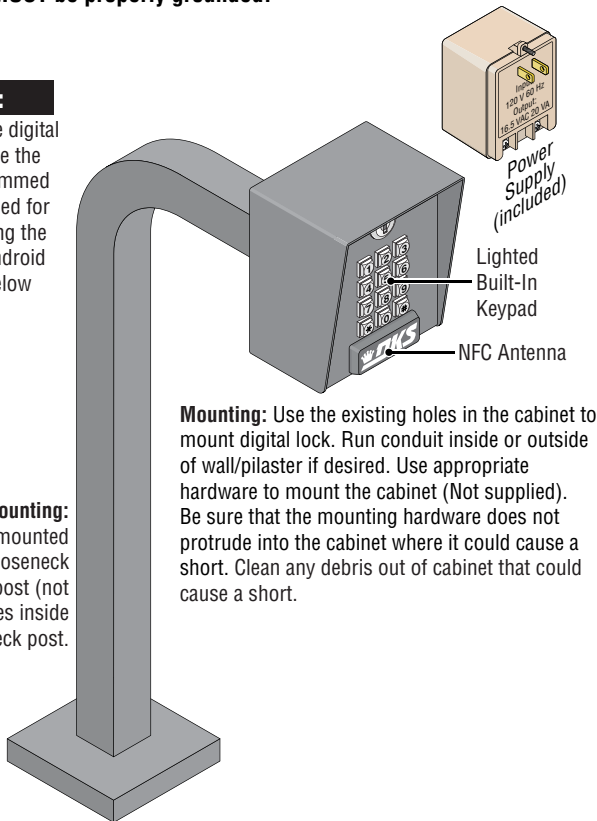
### Important:

After installation, the digital lock will need to have the Master Code programmed in and be programmed for desired features using the built-in keypad or android smart phone (see below and next page).

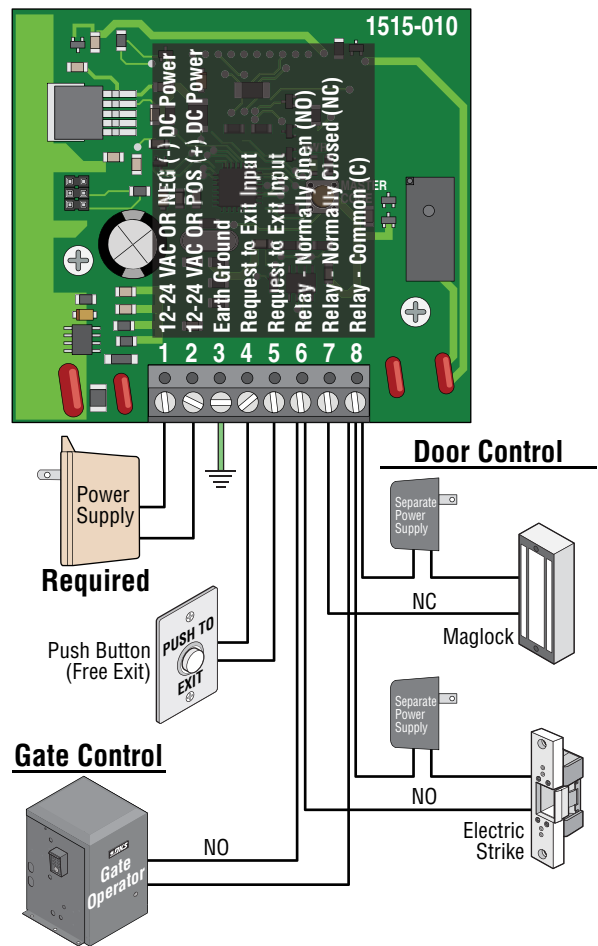
### Optional Mounting:

Enclosure can be mounted on a DoorKing gooseneck mounting post (not supplied). Run wires inside gooseneck post.

**Note:** A gooseneck mounting post anchored in concrete does **NOT** make a good ground.



**Mounting:** Use the existing holes in the cabinet to mount digital lock. Run conduit inside or outside of wall/pilaster if desired. Use appropriate hardware to mount the cabinet (Not supplied). Be sure that the mounting hardware does not protrude into the cabinet where it could cause a short. Clean any debris out of cabinet that could cause a short.




## Program Master Code

The master code **MUST** be programmed in from the built-in keypad **AFTER** installation is complete and **BEFORE** any programming takes place. Write down your master code after it has been programmed in and store it in a safe place. There is **NO** way to retrieve the master code after it has been programmed in. If you forget it, you will have to program in a new master code but all other pre-programmed information will remain intact.



**Step 1.** Open the digital lock to access the Master Code push button on the circuit board. (1515 must have power) Press the Master Code push button **ONCE**.

**Step 2.** Enter a **four-digit master code** using the built-in keypad, then press  (A short beep will be heard).

**Step 3.** Close the digital lock. **Write down master code and keep it in a secure place.**



# Programming Instructions from Built-In Keypad or Android Smartphone

## 01 - Setup for 4 or 5 Digit Entry Code

Entry code memory will be erased when performing this programming sequence. It is **NOT** reversible.

1. Press \* 0 1 and enter the four-digit MASTER CODE. [\* 0 1 \_\_\_\_ (beep)]
2. Enter 9 9 9 9 \*. [9 9 9 9 \* (beep)]
3. Enter 4 \* (Beep) for **four-digit code** OR 5 \* (Beep) for **five-digit code**. [ \_ \*(beep)]
4. After 5 seconds, a long beep will be heard indicating entry code length has been programmed and **ALL memory has been erased**.

## 02 - Entry Codes

1. Press \* 0 2 and enter the four-digit MASTER CODE. [\* 0 2 \_\_\_\_ (beep)]
2. Enter a 4 or 5 **digit entry code** (whichever was programmed in 01- setup above), then press \*. [ \_\_\_\_ ( ) \*(beep)]
3. Repeat step 2 to add additional entry codes.
4. Press 0 # together (Beeeeeep) to exit programming. [ 0 # (beeeeep)]

## 03 - Entry Code Strike Time

Valid two-digit strike time values are 00-99. 00 = 1/4 sec 01 = 1 sec 99 = 99 secs.

1. Press \* 0 3 and enter the four-digit MASTER CODE. [\* 0 3 \_\_\_\_ (beep)]
2. Enter a **two-digit** relay strike time, then press \*. [ \_\_ \*(beep)]
3. Press 0 # together (Beeeeeep) to exit programming. [ 0 # (beeeeep)]

## 04 - Request to Exit Strike Time

Valid two-digit strike time values are 00-99. 00 = 1/4 sec 01 = 1 sec 99 = 99 secs.

1. Press \* 0 4 and enter the four-digit MASTER CODE. [\* 0 4 \_\_\_\_ (beep)]
2. Enter a **two-digit** relay strike time, then press \*. [ \_\_ \*(beep)]
3. Press 0 # together (Beeeeeep) to exit programming. [ 0 # (beeeeep)]

## 05 - Lockout Tries (Lockout Time MUST also be programmed)

Valid single-digit lockout try values are 0 and 3-9. 0 = OFF 3-9 = number of tries

1. Press \* 0 5 and enter the four-digit MASTER CODE. [\* 0 5 \_\_\_\_ (beep)]
2. Enter a **single-digit** lockout tries, then press \*. [ \_ \*(beep)]
3. Press 0 # together (Beeeeeep) to exit programming. [ 0 # (beeeeep)]

## 06 - Lockout Time (Lockout Tries MUST also be programmed)

Valid single-digit lockout time values are 1-9. 1 = one minute 9 = nine minutes

1. Press \* 0 6 and enter the four-digit MASTER CODE. [\* 0 6 \_\_\_\_ (beep)]
2. Enter a **single-digit** lockout time, then press \*. [ \_ \*(beep)]
3. Press 0 # together (Beeeeeep) to exit programming. [ 0 # (beeeeep)]

## 07 - Hold Open Codes

1. Press \* 0 7 and enter the four-digit MASTER CODE. [\* 0 7 \_\_\_\_ (beep)]
2. Enter a 4 or 5 **digit hold open code** (whichever was programmed in 01- setup above), then press \*. [ \_\_\_\_ ( ) \*(beep)]
3. Repeat step 2 to add additional hold open codes.
4. Press 0 # together (Beeeeeep) to exit programming. [ 0 # (beeeeep)]

## 08 - Power Mode

Valid single-digit values are: 0 = regular mode 1 = low power mode: less than 1 ma draw

1. Press \* 0 8 and enter the four-digit MASTER CODE. [\* 0 8 \_\_\_\_ (beep)]
2. Enter a **single-digit** power mode (0 or 1), then press \*. [ \_ \*(beep)]
3. Press 0 # together (Beeeeeep) to exit programming. [ 0 # (beeeeep)]

## 09 - Erase Individual Entry Codes or Hold Open Codes

1. Press \* 0 9 and enter the four-digit MASTER CODE. [\* 0 9 \_\_\_\_ (beep)]
2. Enter the 4 or 5 **digit entry code or hold open code to be erased**, then press \*. [ \_\_\_\_ \*(beep)]
3. Repeat step 2 to erase additional entry codes or hold open codes.
4. Press 0 # together (Beeeeeep) to exit programming. [ 0 # (beeeeep)]

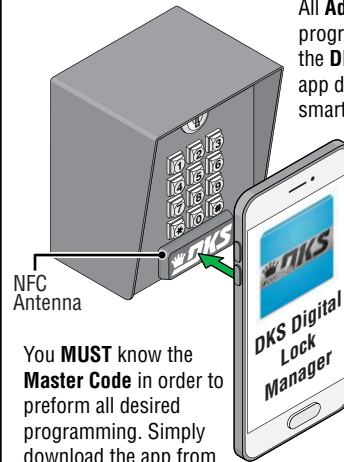
## 00 - Erase ALL Entry Codes and Hold Open Codes

All entry code and hold open code memory will be erased when performing this programming sequence. It is **NOT** reversible.

1. Press \* 0 0 and enter the four-digit MASTER CODE. [\* 0 0 \_\_\_\_ (beep)]
2. Enter 9 9 9 9 \*. [9 9 9 9 \* (beep)]
3. After 5 seconds, a long beep will be heard indicating that **ALL entry codes and hold open codes have been erased**.

## DKS Digital Lock Manager app

Free Android Download at Google Play Store



All **Administrator/Manager** programming can be done using the **DKS Digital Lock Manager** app downloaded to an Android smartphone.

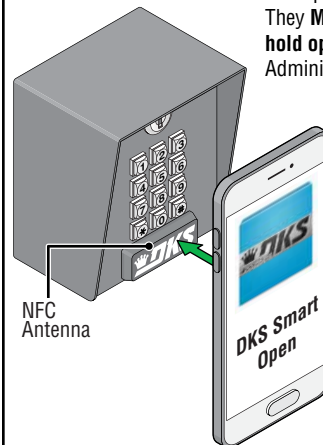
The Master Code **MUST** have already been programmed in from the built-in keypad **BEFORE** any programming can occur.

You **MUST** know the **Master Code** in order to perform all desired programming. Simply download the app from Google Play and use the programming steps on this page to setup entry codes, hold open codes and desired features you want.

**IMPORTANT:** The **BACK** of the Android smartphone **MUST TOUCH** the DKS logo (NFC antenna) on the digital lock in order for programming to occur (NFC - Near Field Communication).

## DKS Smart Open app

Free Android Download at Google Play Store



All **Residents** can use the built-in keypad or **DKS Smart Open** app downloaded to their Android smartphone to activate the digital lock. They **MUST** know their **entry code** or **hold open code** issued to them by the Administrator/Manager.

The **BACK** of the Android smartphone **MUST TOUCH** the DKS logo (NFC antenna) while entering their entry/hold open code to activate the digital lock. (NFC - Near Field Communication).

**IMPORTANT Administrator/Manager Note:** Residents **MUST** be made aware of the NFC antenna and that they **MUST TOUCH** the **BACK** of the phone to it if they are going to use their Android smartphone to activate the digital lock.

## IMPORTANT Resident Use

### Entry Codes:

The "#" key **MUST** be pressed **BEFORE** a 4-digit **OR** 5-digit entry code is entered by a resident.