

Two -Way Intercom Monitor

Owner's Guide



Introduction

Thank you for purchasing the Safety 1st Two-Way Intercom Monitor. This state-of-the-art monitor features a convenient intercom mode that allows two way communication between the parent's unit and baby's unit. Now you can soothe baby with your voice and/or communicate directly to your spouse while in the nursery or kitchen. We are confident you will find this monitor to be an essential part of your baby's nursery.

The Baby's Unit has continuous transmission that clearly sends your baby's sounds to the Parent's Unit. The Parent's Unit easily stands on a table or can be clipped to your belt or clothing. Now you can monitor your baby while doing your normal household activities. Both units are completely battery or AC powered.

We are sure you will find the Two-Way Intercom Monitor convenient and easy to use. To insure you benefit from all of the great features this monitor offers, and to make sure you use this equipment properly, we urge you to:

**PLEASE READ ALL INSTRUCTIONS CAREFULLY BEFORE USING THE NURSERY MONITOR
KEEP THESE INSTRUCTIONS FOR YOUR FUTURE REFERENCE
IF YOU HAVE ANY QUESTIONS, CALL OUR TOLL FREE CONSUMER RELATIONS NUMBER: (800) 723-3065
IN CANADA, PLEASE CALL (800) 721-8933**

CAUTION:

- THE TWO -WAY INTERCOM NURSERY MONITOR IS NOT INTENDED TO REPLACE RESPONSIBLE AND PROPER PARENTAL SUPERVISION.
- YOU SHOULD CHECK YOUR CHILD'S ACTIVITY AT REGULAR INTERVALS AS THIS MONITOR WILL NOT ALERT PARENTS TO THE SILENT ACTIVITIES OF A CHILD.

Safety Instructions



CAUTION

**RISK OF ELECTRIC SHOCK
DO NOT OPEN!**



CAUTION: TO REDUCE THE RISK OF ELECTRICAL SHOCK, DO NOT REMOVE COVER OR BACK.
NO SERVICEABLE PARTS INSIDE.
REFER TO SAFETY 1st CONSUMER RELATIONS: (800) 723-3065.
WARNING: TO REDUCE THE RISK OF FIRE OR ELECTRICAL SHOCK, DO NOT EXPOSE THIS
PRODUCT TO WATER OR MOISTURE.

READ INSTRUCTIONS: All the safety instructions should be read before the Nursery Monitor is operated.

RETAIN INSTRUCTIONS: The safety instructions should be retained for future reference.

HEED WARNINGS: All warnings on the Nursery Monitor and operating instructions should be adhered to.

FOLLOW INSTRUCTIONS: All operating instructions should be followed.

WATER AND MOISTURE: The Nursery Monitor should not be used near water, for example, near a bath tub, wash bowl, kitchen sink, laundry tub, in a wet basement, near a swimming pool, etc.

VENTILATION: The Nursery Monitor should be placed so that its location or position does not interfere with proper ventilation for the unit. For example, it should never be situated on a bed, sofa, rug or similar surface that may block ventilation.

HEAT: The Nursery Monitor should be kept away from heat sources such as radiators, heat registers, stoves or other appliances that produce heat.

AC POWER SOURCE: The Nursery Monitor should be connected only to the AC Adapters supplied with the unit.

POWER CORD PROTECTION: The power supply cord should be routed so that it is not likely to be walked on or pinched by items placed upon or against it. Pay particular attention to the cord at the plug, convenience receptacle, and at the point it exits from the AC adapters.

CLEANING: Use a dry cotton cloth to keep the Nursery Monitor free from dust. Do Not Use Water!

NON-USE PERIODS: The power cord of the Nursery Monitor should be unplugged from the outlet when unused for long periods of time. The batteries should also be removed during these periods.

OBJECT AND LIQUID ENTRY: Care should be taken so that objects do not fall onto the product, and liquids are not spilled into the enclosure through the openings.

DAMAGE REQUIRING SERVICE: The Nursery Monitor should be serviced by qualified personnel when:

- A: The power supply cord or plug has been damaged;
- B: Objects have fallen or liquid has been spilled onto the product;
- C: The Monitor has been exposed to rain;
- D: The Monitor does not appear to operate normally or exhibits a marked change in its performance;
- E: The Monitor has been dropped or the enclosure damaged.

THE USER SHOULD NOT ATTEMPT TO SERVICE OR REPAIR THE MONITOR. ALL SERVICING SHOULD BE REFERRED TO SAFETY 1st CONSUMER RELATIONS: (800) 723-3065. IN CANADA, PLEASE CALL (800) 721-8933

KEEP ALL PARTS OF THIS MONITOR OUT OF REACH OF CHILDREN! DO NOT MOUNT IN OR ON CRIB!

CAUTION: THE CLEAR CONNECTION RECHARGEABLE NURSERY MONITOR IS NOT INTENDED TO REPLACE PROPER ADULT SUPERVISION. YOU SHOULD CHECK YOUR CHILD'S ACTIVITY AT REGULAR INTERVALS AS THIS MONITOR WILL NOT ALERT PARENTS TO THE SILENT ACTIVITIES OF A CHILD.

Contents

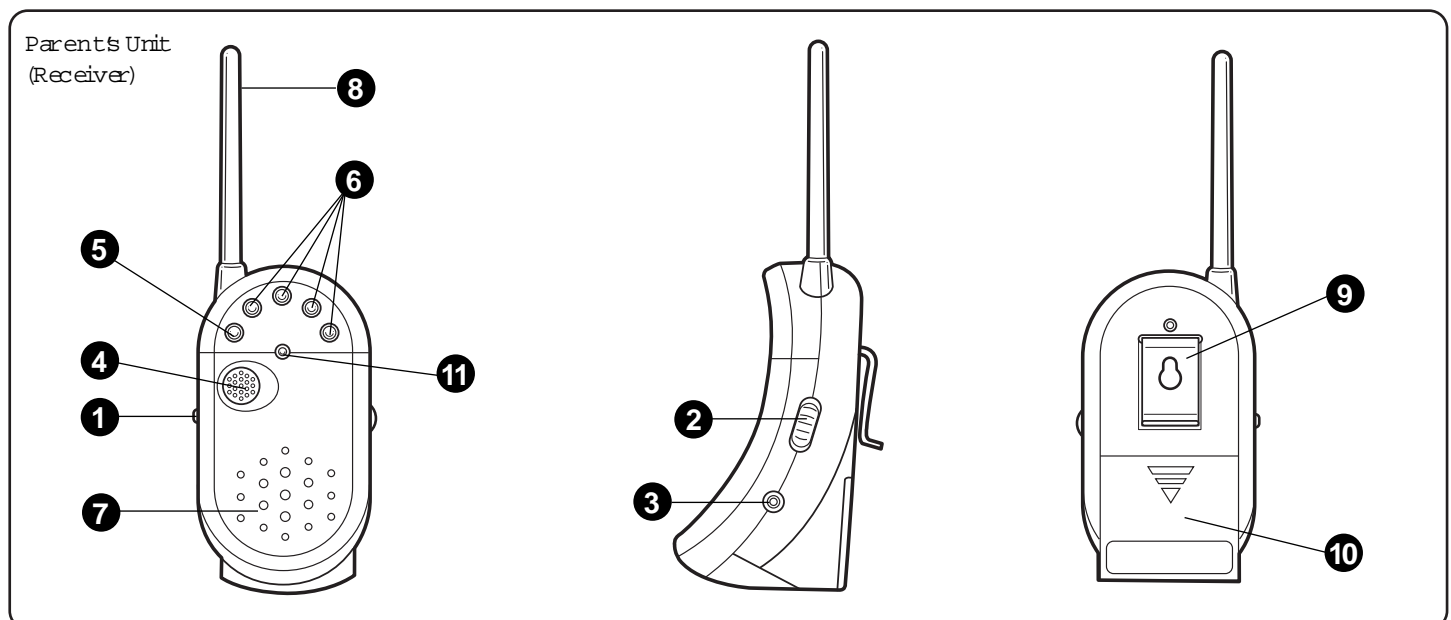
Parent's Unit (Receiver)
Baby's Unit (Transmitter)
(2) AC Adapters

Batteries Required

(2) 9-volt batteries (not included)

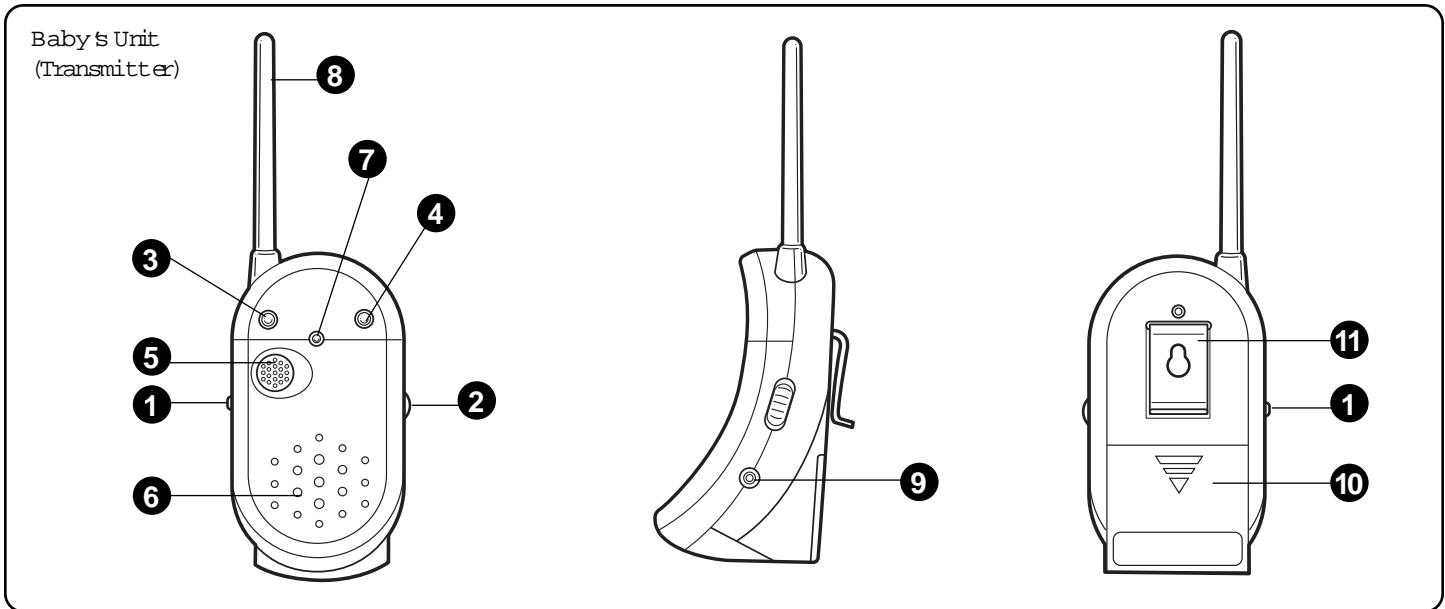
Features and Components

- | | | |
|----------------------------|---|--|
| 1 Channel Switch | 5 Power On/Low Battery Indicator | 9 Plastic Belt Clip |
| 2 Power/Volume Dial | 6 Sound Light LEDs | 10 Battery Compartment (9-volt) |
| 3 AC Adapter Jack | 7 Speaker | 11 Microphone |
| 4 Talk Button | 8 Flexible Antenna | |



Features and Components

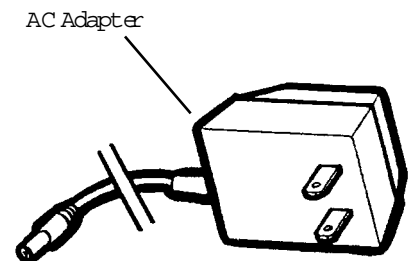
- | | | |
|---|-------------------------------|-------------------------------|
| 1 Channel Switch | 5 Intercom Mode Button | 9 AC Adapter Jack |
| 2 Volume/Off Rotary Switch | 6 Speaker | 10 Battery Compartment |
| 3 Power On/Low Battery Indicator | 7 Microphone | 11 Plastic Belt Clip |
| 4 Two Way On Indicator | 8 Flexible Antenna | |



AC Adapter

The AC Adapter is a low voltage power source that allows you to use your household electricity to run the Baby and Parent's Unit. It connects to the AC Adapter Jack in the Parent's Unit and in the Baby's Unit, and plugs into any standard electrical outlet in your home.

CAUTION: These adapters were made with a specific design for Safety 1st Two-Way Intercom Monitor. They cannot be used with any other appliance. Never use a different type of adapter with this monitor.



Operating Your Two-Way Intercom Monitor

Follow these instructions to operate your Two-Way Intercom Monitor. Reference the illustrations provided on page 3 for the location of all features described in these instructions.

Baby's Unit:

For best results, place the Baby's Unit on a table near the crib or bed. It should be facing the baby's head as close to the crib as possible, but out of baby's reach.

STEP 1 Remove the battery cover door by pushing downward in the direction of the arrow.

STEP 2 Insert a 9-volt battery into the battery compartment by snapping the battery contacts into the corresponding connectors on the battery clip in the unit.

Notes The low battery indicator illuminates when the batteries need to be replaced.

STEP 3 Replace the battery cover door by sliding in place.

STEP 4 Plug the adapter into an electrical outlet, then plug the round end of the adapter into the Baby's Unit.

STEP 5 Set the Baby's unit to setting "A". If you experience static or noise interference, switch both units to setting "B".

STEP 6 Turn the Unit on using the Volume/OFF rotary switch. The green LED power light should be illuminated.

Parent's Unit:

For best results, the Parent's Unit should be placed at least 10 feet away from the Baby's Unit. The Parent's Unit can be mounted to the wall by using a screw (not included) to attach the unit using the keyhole located on the back.

- STEP 1 Remove the battery cover door by pushing downward in the direction of the arrow.
- STEP 2 Insert a 9-volt battery into the battery compartment by snapping the battery contacts into the corresponding connectors on the battery clip in the unit.
- NOTES The low battery indicator illuminates when the batteries need to be replaced.
- STEP 3 Replace the battery cover door by sliding in place
- STEP 4 Place the Parent's Unit at least 10 feet from the Baby's Unit.
- STEP 5 Plug the adapter into an electrical outlet, then plug the round end of the adapter into the Parent's Unit.
- STEP 6 Set the Parent's Unit to setting "A". If you experience static or noise interference, switch both units to setting "B".
- NOTES Confirm the Parent's Unit and Baby's Unit are set to the same setting (A or B).
- STEP 7 Adjust the volume so you can hear your baby at all times.
- NOTES If you experience a power failure, the Parent's Unit (Receiver) and the Baby's Unit (Transmitter) will not automatically switch to battery power. You must disconnect the AC Adapter from the Parent's Unit and Baby's Unit.

LED SOUND LEVEL LIGHT INDICATORS

The four (4) RED LED's on the top of the Parent's Unit (page 3) light up to display the sound level coming from your baby. These sound level indicators are preset in the factory and are not affected by the volume setting. This feature allows you to see the relative volume level of your baby's sounds. It is most effective if you are in a noisy environment and may not be able to hear the sounds clearly. The louder the sound, the more RED LED's will light up.

Intercom Mode

To use Intercom Mode:

- STEP 1 Depress the Monitor Intercom Switch on the Baby's Unit. The two-way red LED indicator should now be illuminated.
- STEP 2 Set the volume on the Baby's Unit to the desired level.
- STEP 3 Press the Push to Talk button on the Parent's Unit and speak directly into the microphone.
- NOTES The Push to Talk button must be depressed while you are speaking in order for the Baby's Unit to receive your communication.
- NOTES If you experience static or noise interference, switch both units to the other channel.

Operating Tips

- Make sure that both units are on the same channel. Even though you may hear your baby's sounds, proper use of this system requires that both units must be on the same channel. If the units are on different channels, the signals from the Baby's Unit may still be strong enough to be picked up by the Parent's Unit, but there will be a lot of static.
- When using the AC Adapter with household electricity, make sure the outlet has power. Some electrical outlets are powered through a wall switch in the room. If the Baby's Unit or Parent's Unit is plugged in and turned "On", the power indicator light should be lit. If it is not, try turning the wall switch in the room "On".

Troubleshooting Your Two-Way Intercom Monitor

Problem	Possible Cause	Solution
<ul style="list-style-type: none"> Power indicator light not working Power is not getting to the unit 	<ul style="list-style-type: none"> Battery may be dead, 9 volt battery needs to be replaced. Make sure wall outlet is working. 	<ul style="list-style-type: none"> Replace 9 volt battery Make sure unit is properly plugged into the wall and outlet is switched on.
<ul style="list-style-type: none"> Static or interference in the signal transmission 	<ul style="list-style-type: none"> Baby's and Parent's Units may be set on different channels Appliances with loud fans near units may be blocking transmission Unit may be under fluorescent lights Local interference from electrical or radio frequency appliance near your location 	<ul style="list-style-type: none"> Make sure both units are on the same channel (A or B) Turn off the appliances that may be causing interference Reduce the distance between the two units or turn off lights Switch channel setting on both Parent's and Baby's Units
<ul style="list-style-type: none"> Parent's Unit is making loud noises 	<ul style="list-style-type: none"> Units are too close together 	<ul style="list-style-type: none"> Parent's Unit needs to be at least 3 meters (10 feet) away from the Baby's Unit
<ul style="list-style-type: none"> Parent's Unit is picking up noises from outside your home 	<ul style="list-style-type: none"> Neighbors may have a baby monitor or cordless phone 	<ul style="list-style-type: none"> Change both units to the alternate channel (A or B)
<ul style="list-style-type: none"> Weak sound coming from unit 	<ul style="list-style-type: none"> Batteries may be weak Units may be too far away from each other 	<ul style="list-style-type: none"> Check batteries, replace if necessary Move the units closer to each other
<ul style="list-style-type: none"> Baby's Unit is set for Intercom Mode but not receiving communication from Parent's Unit 	<ul style="list-style-type: none"> Parent's Push to Talk button is not being continuously depressed while communicating 	<ul style="list-style-type: none"> Continuously hold Push to Talk button while speaking into microphone for Baby's Unit to receive complete transmission

Warranty

ONE (1) YEAR LIMITED WARRANTY

Safety 1st, Inc. warrants to the original owner of this product that the Nursery Monitor is free from defects in materials and workmanship for a period of one (1) year from the date of the original purchase. If this monitor fails to function when used as directed under normal conditions, within the one (1) year period, Safety 1st will either repair or replace the

product at our option, free of charge, when it is returned complete and in its original packaging, prepaid postage, and insured to Safety 1st Customer Service Department, 210 Boylston Street, Chestnut Hill, MA 02167. Product must be accompanied by a proof of purchase, either a bill of sale, receipted invoice, or other proof that the Monitor is within the warranty period. Safety 1st will bear the cost of repairing or replacing the product and shipping it back to you.

This warranty does not apply to a Nursery Monitor that has been damaged as a result of improper maintenance, accidents, improper voltage supply or other misuse. The warranty is also void if owner repairs or modifies the product in any way. Safety 1st is not liable for any incidental or consequential damages with regard to this product. The warranty also excludes any liability other than what is stated above. No other warranties are given.

LEGAL RIGHTS VARY FROM STATE TO STATE. SOME STATES DO NOT ALLOW THE EXCLUSION OR LIMITATION OF INCIDENTAL OR CONSEQUENTIAL DAMAGES, SO THE ABOVE LIMITATIONS MAY NOT APPLY TO YOU.

IMPORTANT NOTE: ONLY USE THE ADAPTORS SUPPLIED FOR THIS NURSERY MONITOR.
USE OF OTHER ADAPTORS WILL VOID THIS WARRANTY.

If you have any questions or comments, please call our toll free Consumer Relations number: (800) 723-3065. In Canada, please call (800) 721-8933. We guarantee all of our Safety 1st products. If you are not completely satisfied, please return with proof of purchase to:

Safety 1st, Inc., 210 Boylston Street Chestnut Hill, MA 02467 USA

Safety 1st, Inc., 804, rue Deslauriers, Ville St-Laurent, Québec, H4N 1X1 Canada

Safety 1st, Inc., Europe Ltd. Isopad House, Shenley Road Borehamwood, Hertfordshire WD1TE, Great Britain

Made in CHINA to Safety 1st quality specifications. ©1999 Safety 1st, Inc.