



DEPARTMENT OF PERMITTING, ENVIRONMENT, AND REGULATORY
AFFAIRS (PERA)
BOARD AND CODE ADMINISTRATION DIVISION
NOTICE OF ACCEPTANCE (NOA)

MIAMI-DADE COUNTY
PRODUCT CONTROL SECTION
11805 SW 26 Street, Room 208
Miami, Florida 33175-2474
T (786) 315-2590 F (786) 315-2599
www.miamidade.gov/pera/

Dorma Door Control, Inc.
Dorma Drive,
Reamstown, PA 17567-36

SCOPE:

This NOA is being issued under the applicable rules and regulations governing the use of construction materials. The documentation submitted has been reviewed and accepted by Miami-Dade County PERA -Product Control Section to be used in Miami Dade County and other areas where allowed by the Authority Having Jurisdiction (AHJ).

This NOA shall not be valid after the expiration date stated below. The Miami-Dade County Product Control Section (In Miami Dade County) and/or the AHJ (in areas other than Miami Dade County) reserve the right to have this product or material tested for quality assurance purposes. If this product or material fails to perform in the accepted manner, the manufacturer will incur the expense of such testing and the AHJ may immediately revoke, modify, or suspend the use of such product or material within their jurisdiction. PERA reserves the right to revoke this acceptance, if it is determined by Miami-Dade County Product Control Section that this product or material fails to meet the requirements of the applicable building code.

This product is approved as described herein, and has been designed to comply with the Florida Building Code, including the High Velocity Hurricane Zone.

DESCRIPTION: Dorma series "CL/CK700" Cylindrical lock set w/ DB 660 Dead bolt & "M9000" series Mortise lock -Component Approval

APPROVAL DOCUMENT: Drawing No. **9000-400**, titled "DORMA Series on Single In-swing doors", sheets 1 through 2 of 2, dated 09-14-06 and last revised on 01-16-2013, prepared by Building drops, Inc., signed and sealed by Hermes F. Norero, P.E., bearing the Miami-Dade County Product Control Revision stamp with the Notice of Acceptance number and expiration date by the Miami-Dade County Product Control Section.

MISSILE IMPACT RATING: Large and Small Missile Impact Resistant

Limitations:

1. This hardware component may be used as an equal alternative in corresponding lock(s) in Single Inswing **18 ga** commercial Steel door w/ **16 ga** Steel door frame, holding current NOA.
2. Lower of design pressure rating of the component or the door shall control.
3. Electrical device is not part of this approval and must be reviewed by corresponding authority.

LABELING: Each unit shall bear a permanent label with the manufacturer's name or logo, city, state and series and following statement: "Miami-Dade County Product Control Approved", unless otherwise noted herein.

RENEWAL of this NOA shall be considered after a renewal application has been filed and there has been no change in the applicable building code negatively affecting the performance of this product.

TERMINATION of this NOA will occur after the expiration date or if there has been a revision or change in the materials, use, and/or manufacture of the product or process. Misuse of this NOA as an endorsement of any product, for sales, advertising or any other purposes shall automatically terminate this NOA. Failure to comply with any section of this NOA shall be cause for termination and removal of NOA.

ADVERTISEMENT: The NOA number preceded by the words Miami-Dade County, Florida, and followed by the expiration date may be displayed in advertising literature. If any portion of the NOA is displayed, then it shall be done in its entirety.

INSPECTION: A copy of this entire NOA shall be provided to the user by the manufacturer or its distributors and shall be available for inspection at the job site at the request of the Building Official.

This NOA **revises & renews #07-0710.03** (Former Dorma Architectural hardware) and consists of this page 1 and evidence pages E-1, as well as approval document mentioned above.

The submitted documentation was reviewed by **Ishaq I. Chanda, P.E.**



2/5/13

NOA No 12-0720.04
Expiration Date: October 04, 2017
Approval Date: February 14, 2013
Page 1

NOTICE OF ACCEPTANCE: EVIDENCE SUBMITTED

A. DRAWINGS

1. Manufacturer's parts drawings and sections (submitted under file # **07-0710.03**)
2. Drawing No. **9000-400**, titled "DORMA Series on Single In-swing doors", sheets 1 through 2 of 2, dated 09-14-06 and last revised on 01-16-2013, prepared by Building drops, Inc., signed and sealed by Hermes F. Norero, P.E.

B. TESTS (submitted under file # **07-0710.03)**

1. Test reports on
 - 1) Air Infiltration Test, per FBC, TAS 202-94
 - 2) Uniform Static Air Pressure Test, Loading per FBC, TAS 202-94
 - 3) Water Resistance Test, per FBC, TAS 202-94 (Not Performed)
 - 4) Large Missile Impact Test per FBC, TAS 201-94
 - 5) Cyclic Wind Pressure Loading per FBC, TAS 203-94
 - 6) Forced Entry Test, per FBC 3603.2 (b) and TAS 202-94

Along with marked-up drawings and installation diagram of Dorma's series ML/MLK 9000, CL753D w/ DB660 Dead bolts in Single Inswing Door, the, prepared by Intertek, ETL SEMKO Testing Lab, Test Report No. **3091364-001**, dated Jan 15, 2007, signed and sealed by Rick Curkeet, P.E.

C. CALCULATIONS

1. None

D. QUALITY ASSURANCE

1. Miami Dade Department of Regulatory and Economic Resources (RER).

E. MATERIAL CERTIFICATIONS (submitted under file # **07-0710.03)**

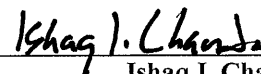
1. Intertek Testing Svc, Inc Tensile test report per ASTM E-8, Test Report No. **3091364-001**, dated Jan 15, 2007, signed and sealed by Rick Curkeet, P.E.

F. STATEMENTS

1. Statement letter of compliance to FBC 2010 & "No financial interest", dated July 02, 2012, issued by Building Drops, Inc., signed and sealed signed and sealed by Hermes F. Norero, P.E.
2. Statement letter dated 01-16-13 of successor engineer adopting his own, another engineer 's work per FLA Rule, Chapter 61G15-27 , issued by Building Drops, Inc., both signed and sealed signed and sealed by Hermes F. Norero, P.E.
3. Merger agreement between Dorma Door Control Inc. and Dorma Steelville, Inc. dated Feb 28, 2003, both signed by Paul T. Kosakowaski, president. (submitted under file # **12-1203.10**)
4. Statement letter dated NOV 20, 2012, requesting Name & plant location change, signed by Mr. Brian Lindenmuth, R & D lab Engineer, Dorma Door Control, Inc.

G. OTHER

1. This NOA **revises & renews #07-0710.03**, expired on OCT 04, 2012.
2. Previous associated NOA # **07-0710.03** (Former Dorma Architectural Hardware).
3. Dorma's Lock hardware technical publications and catalogs.

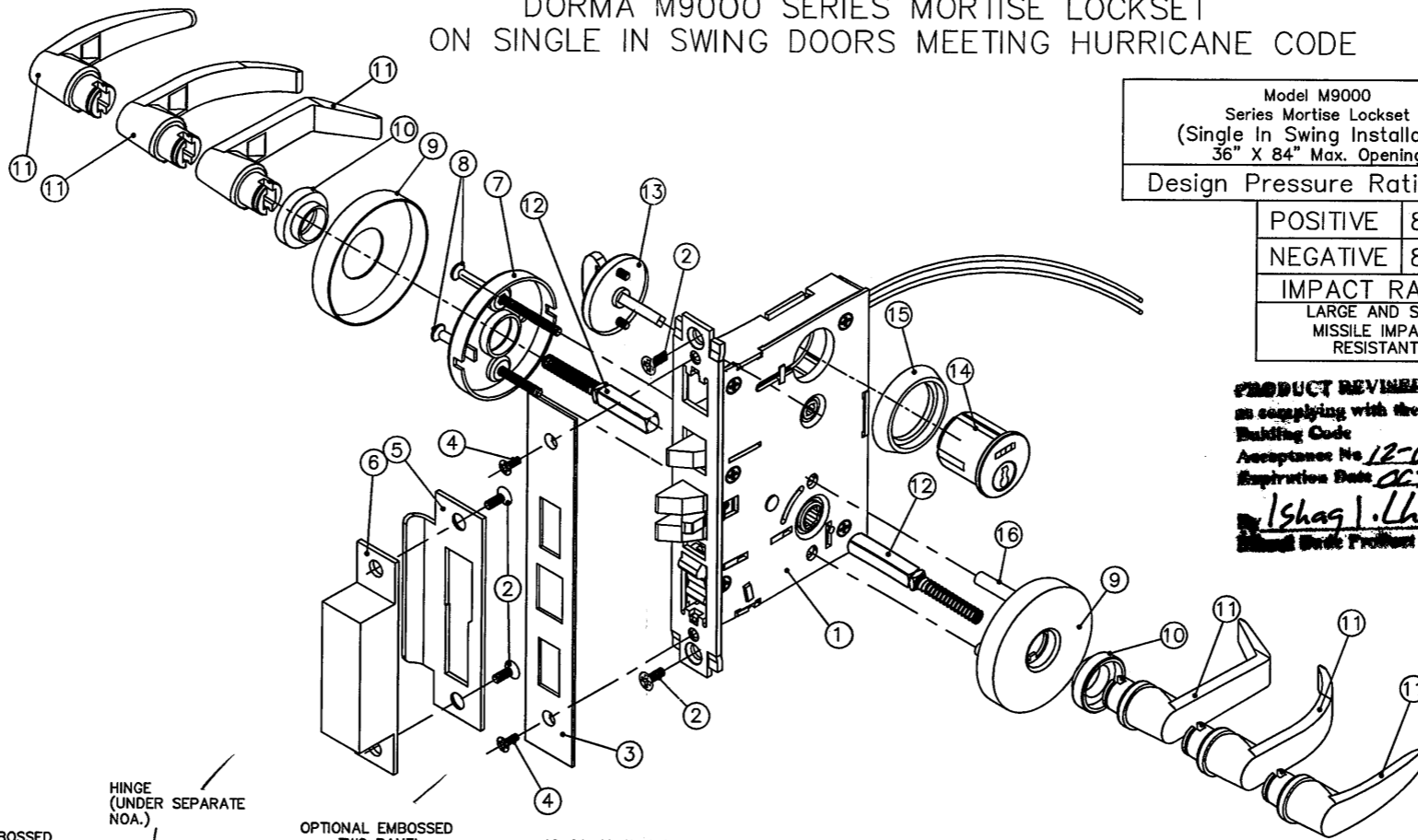


Ishaq I. Chanda, P.E.
Product Control Examiner
NOA No 12-0720.04

Expiration Date: October 04, 2017
Approval Date: February 14, 2013

ITEM #	QTY	DESCRIPTION
1	1	9000 SERIES MORTISE
2	4	STRIKE & LOCK BODY SCREW
3	1	LOCK FACE PLATE
4	2	ARMOR SCREW
5	1	4-7/8" ASA STRIKE
6	1	MORTISE STRIKE DUST BOX
7	1	INSIDE ROSE INSERT
8	2	10-32 X 1-1/4" MACHINE SCREW
9	2	ROSE COVER
10	2	LEVER BUSHING
11	2	LC, LR, LG LEVER HANDLES
12	2	SPINDLE/SPRING ASSEMBLY
13	2	TURN PIECE ASSEMBLY
14	1	MORTISE CYLINDER
15	1	CYLINDER COLLAR
16	1	OUTSIDE ROSE INSERT ASSEMBLY
17	3	Hinges (Part of Separate NOA.)
18	1	Single Approved 18 ga. Door & 16 ga. Frame (Under Separate NOA)

**DORMA M9000 SERIES MORTISE LOCKSET
ON SINGLE IN SWING DOORS MEETING HURRICANE CODE**



Model M9000 Series Mortise Lockset (Single In Swing Installation) 36" X 84" Max. Opening	
Design Pressure Rating	
POSITIVE	80 PSF
NEGATIVE	80 PSF
IMPACT RATING	
LARGE AND SMALL MISSILE IMPACT RESISTANT	

PRODUCT REVISED
to comply with the Florida
Building Code
Acceptance No. 12-0720-04
Expiration Date OCT 04, 2017
Ishag I. Khan
Hermes F. Norero, P.E.

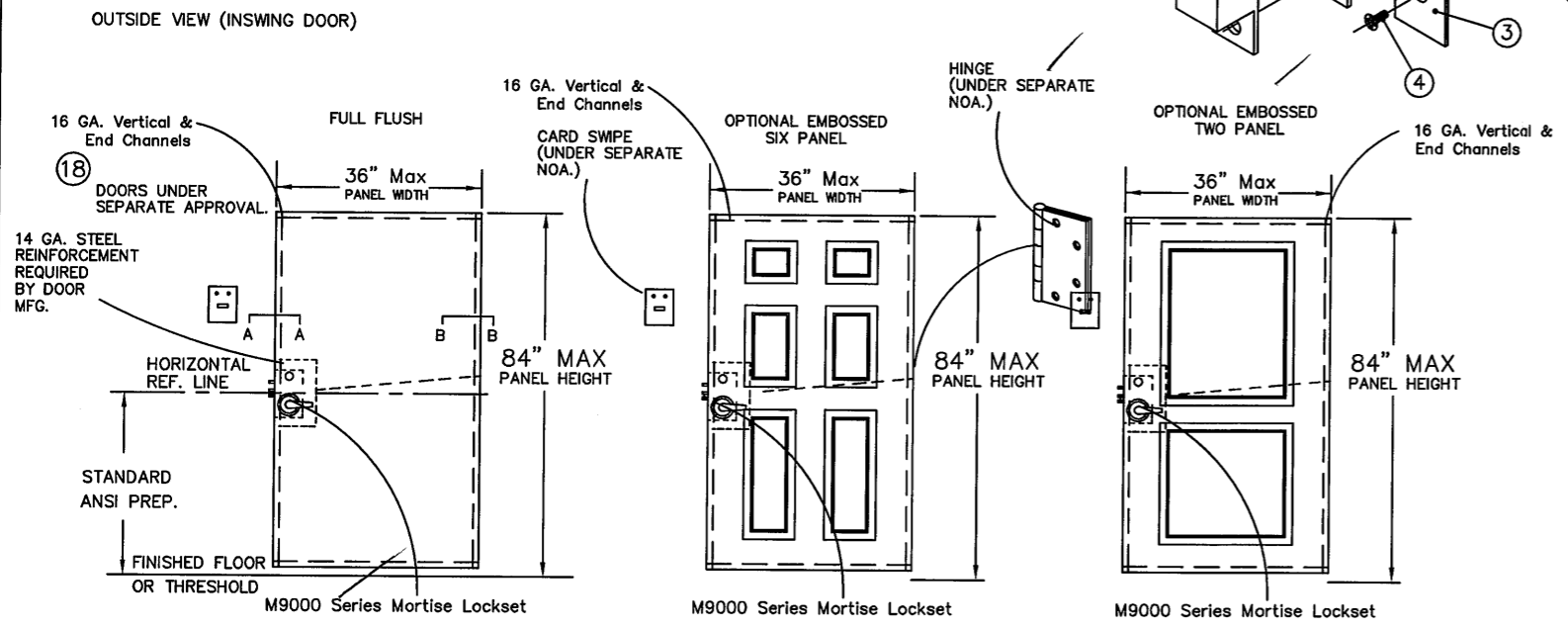
GENERAL NOTES

LIMITATIONS:

- Each device is approved to be used as equal alternate to corresponding lock approved to be used in applicable 16 ga. (.060 min.) frame & inswing 18 ga. (.048 min.) single commercial steel door holding current NOA. Lowest Design Pressure Rating shall apply.
- Device shall be installed on a 18 ga. single commercial steel door no larger than approved drawings as shown.
- Steel reinforcement required as indicated on detail drawings.
- Electrical devices/electronic functions are not part of this approval, such use is to be approved by the Authority Having Jurisdiction (AHJ)
- Access control device such as SDC stand alone card reader (950C) may be used in conjunction with lockset. Electric hinge or wire transfer required for above. Must be reviewed by authority having jurisdiction.

Certification:
Underwriter's Laboratories - UL10C
ANSI/BHMA Grade 1 Mortise Lockset.
3/4" Minimum latchbolt throw.
Frame - Steel 16 GA (.060) min.
Frame Hinge Reinf. - Steel 14 GA (0.132") min.
Strike, hinge, & 14 GA lockbox reinforcement as specified in this drawing.
Door - Single Steel 18 GA (.048) min.
Mortise Lock Reinf. - Steel 14 GA (0.101") min.
Door Hinge Reinf. - Steel 9 GA (0.132") min.
Vertical & End Channels - Steel 16 GA. (0.053") min.
All reinforcements to be spot welded or better by door manufacturer.
All dimensions in accordance with manufacturer's standard installation instructions.

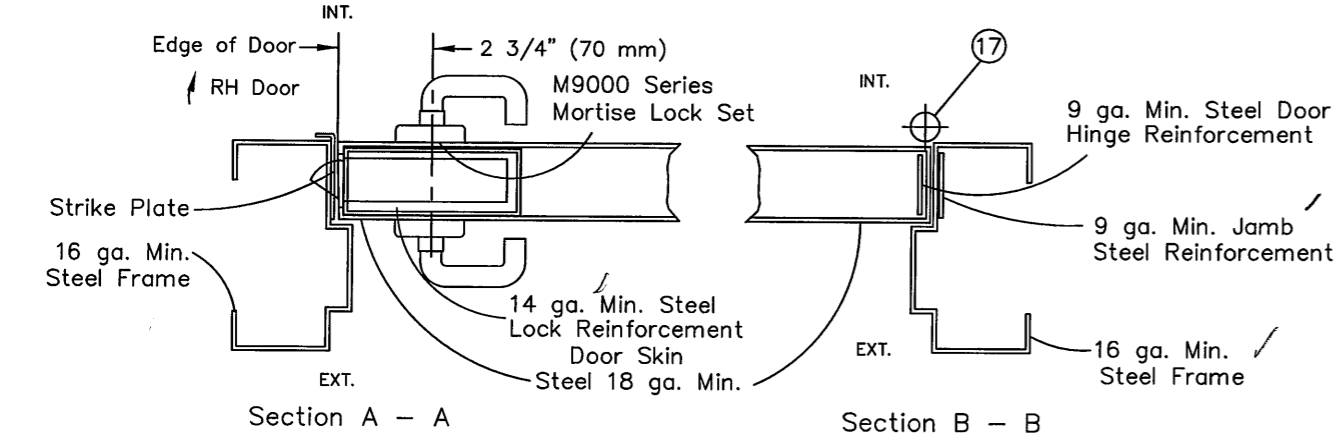
Mortise Lockset model M9000 Series.
Outside knob/lever may be one of the designs shown. Additional knob/levers available upon request.
Lockset may be installed in single doors with multiple embossed panel configurations.



MORTISE LOCK SPECIFICATION:
9000-SERIES = ANSI A156.13 - 2005
GRADE 1 (HEAVY DUTY) OPERATIONAL
GRADE 1 (HEAVY DUTY) SECURITY
UL LISTED FOR 3 HOUR DOORS
EXPOSED TRIM: FORGED BRASS AND STAINLESS STEEL LEVERS OR KNOBS
WROUGHT BRASS, BRONZE AND STAINLESS STEEL ROSES.
WROUGHT, COLD FORGED & CAST ESCUTCHEONS.

BACK SET: 2 3/4"
LATCHES: 3/4" THROW - STAINLESS STEEL.
STRIKE: ANSI 1 1/4" X 4 7/8" X 1-1/4" LIP STANDARD.

LATCHBOLT DIMENSIONS:
LATCHBOLT: 3/4" THROW, .640" X 1.000"



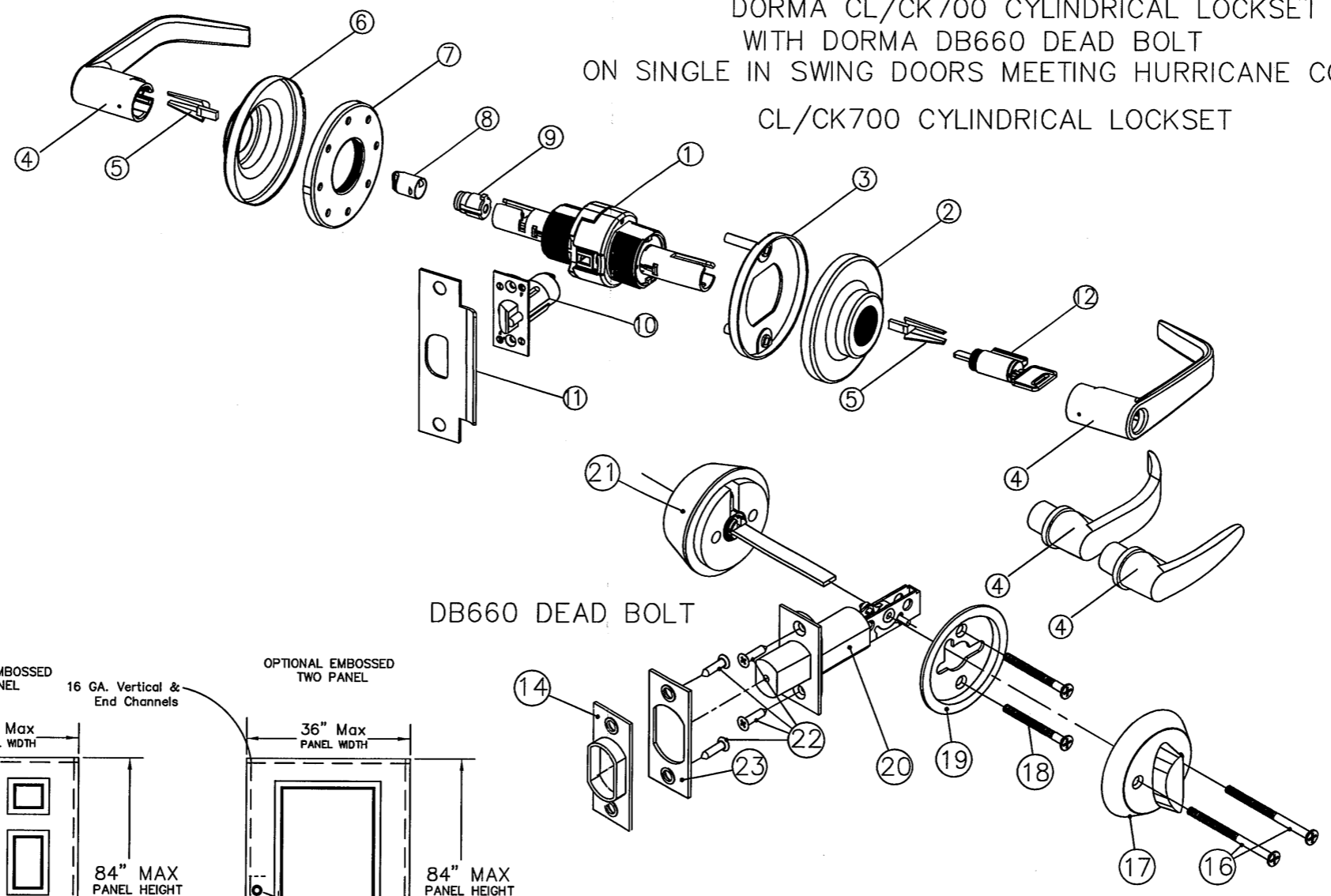
DESCRIPTION: DORMA M9000 Series Mortise Lockset	
SCALE: NONE	DRAWN BY: TA
DATE: 9-14-06	CHKD BY: DATE:



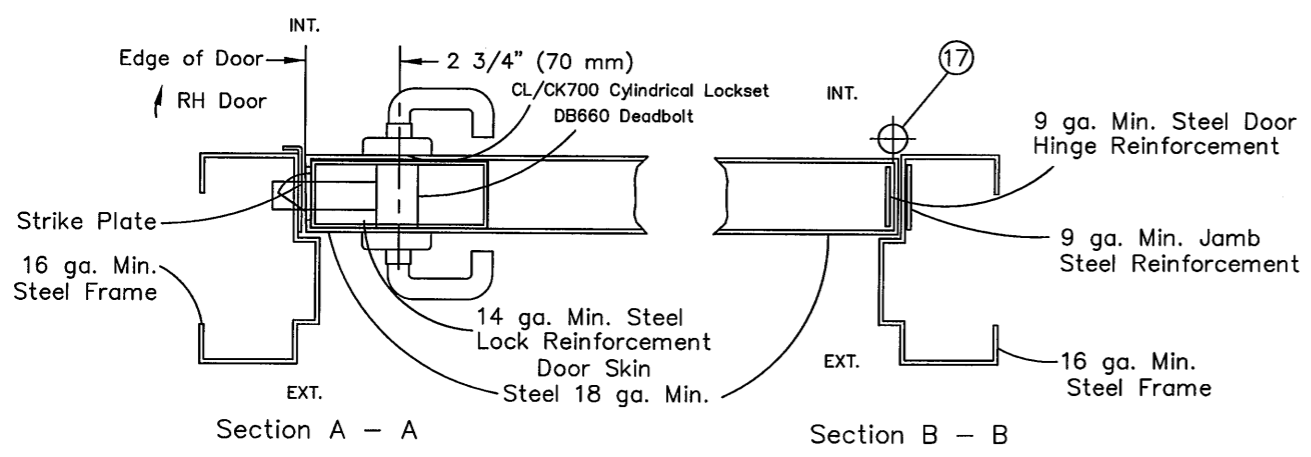
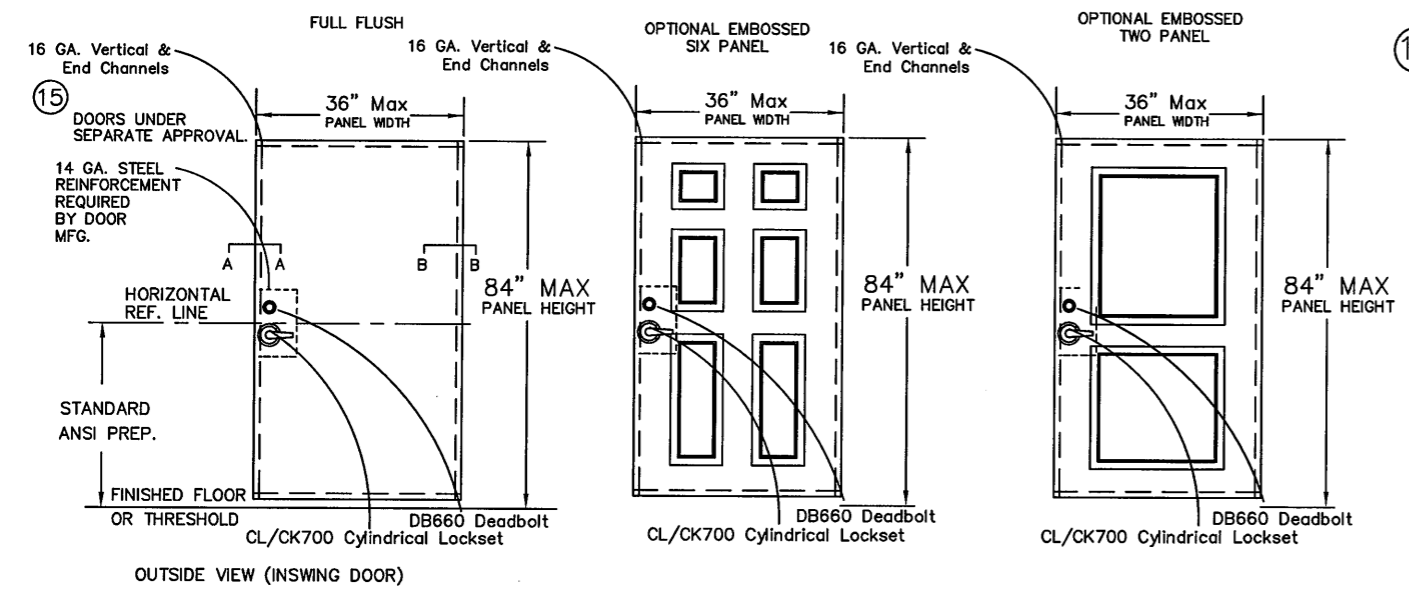
Hermes F. Norero, P.E. Florida PE No. 73778 Building Drops, Inc. 398 E. Dania Beach Blvd., Suite 338 Dania Beach, FL 33304 FBPE Cert. of Authorization No. 29578			
Update Print	1	TA	6-11-07
REVISIONS	NO.	BY	DATE
DWG. 1 OF 2	9000-400		
DWG. NO.	9000-400		

ITEM	DESCRIPTION	Q'TY
1	CHASSIS, CL740, 753, 730	1
2	ROSE	1
3	MTGPLT, OS CL700	1
4	LEVER	2
5	PLASTIC INSERT, LEVER	2
6	ROSE	1
7	MTGPLT, IS CL700	1
8	BUTTON, CL/CK700 TURN	1
9	BUTTON, 700 TURN INSERT	1
10	LATCH, 17252 SQC 118 630	1
11	STRIKE, 5001 118 630	1
12	CYLINDER FOR CL/CK700	1
13	HINGES (UNDER SEP. NOA.)	3
14	STRIKE REINFORCEMENT	1
15	Single Approved 18 ga. Door & 16 ga. Frame (Under Separate NOA)	1
16	MOUNT SCREWS THUMB TURN	2
17	THUMB TURN	1
18	MOUNT SCREWS	2
19	MOUNT PLATE	1
20	DEADBOLT LATCH, DB660	1
21	EXTERIOR HOUSING & CYLINDER	1
22	LATCH / STRIKE SCREWS	4
23	STRIKE	1

**DORMA CL/CK700 CYLINDRICAL LOCKSET
WITH DORMA DB660 DEAD BOLT
ON SINGLE IN SWING DOORS MEETING HURRICANE CODE
CL/CK700 CYLINDRICAL LOCKSET**



DB660 DEAD BOLT



SERIES CL/CK 700 CYLINDRICAL LOCKSET W/ SERIES DB660 DEADBOLT
 SPEC: GRADE 2 ANSI A156.2
 BACK SET: 2 3/4", 2 3/8" AVAILABLE
 LATCHES: 1/2" THROW - BRASS MATERIAL
 DEAD BOLT: 1" THROW - BRASS MATERIAL
 HARDENED STEEL PIN CENTER
 STRIKE: ANSI 1 1/4" X 4 7/8" X 1 3/16" LIP STANDARD.
 LATCHBOLT/DEADBOLT DIMENSIONS:
 LATCHBOLT: 1/2" THROW, .752" X .764"
 DEADBOLT: 1" THROW, .625" X .750"

Model CL/CK700 Cylindrical Lockset With DB660 Deadbolt (Single In Swing Installation) 36" X 84" Max. Opening	
Design Pressure Rating	
POSITIVE	80 PSF
NEGATIVE	80 PSF
IMPACT RATING	
LARGE AND SMALL MISSILE IMPACT RESISTANT	

PRODUCT REVISED
 in compliance with the Florida Building Code
 Amendment No. 12-0720-04
 Registration Date OCTOBER 2017
 [Signature]

GENERAL NOTES

LIMITATIONS:

- Each device is approved to be used as equal alternate to corresponding lock approved to be used in applicable 16 ga. (.060 min.) frame & in swing 18 ga. (.048min.) single commercial steel door holding current NOA.
- Device shall be installed on a 18 ga. single commercial steel door no larger than approved drawings as shown.
- Steel reinforcement required as indicated on detail drawings.
- Electrical devices/electronic functions are not part of this approval, such use is to be approved by the Authority Having Jurisdiction (AHJ)

Certification:
 Underwriter's Laboratories - UL10C
 ANSI/BHMA Grade 2 Cylindrical Lockset.
 1/2" Minimum latchbolt throw.
 ANSI/BHMA Grade 2 Deadbolt
 1" Minimum deadbolt throw.
 Frame - Steel 16 GA (.060) min.
 Frame Hinge Reinf. - 9 GA (0.132") min.
 Door - Steel 18 GA (.048) min.
 Cyl./DDB660 Lock Reinf. - Steel 14 GA (0.101") min.
 Door Hinge Reinf. - Steel 9 GA (0.132") min.
 Vertical & End Channels - Steel 16 GA. (0.053") min.
 Strike, hinge, & 14 GA lockbox reinforcement as specified in this drawing.
 All reinforcements to be spot welded or better by door manufacturer.
 All dimensions in accordance with manufacturer's standard installation instructions.

Cylindrical Lockset model CL/CK700 Outside knob/lever may be one of the designs shown. Additional knob/levers available upon request. Dead bolt model DB660D. Lockset may be installed in single doors with multiple embossed panel configurations.

[Signature]
 1-16-2013

Hermes F. Norero, P.E.
 Florida PE No. 73778
 Building Drops, Inc.
 398 E. Dania Beach Blvd., Suite 338
 Dania Beach, FL 33304
 FBPE Cert. of Authorization No. 29578

DESCRIPTION: DORMA CL/CK700 Series Cylindrical Lockset & DB660 Deadbolt	
SCALE: NONE	DRAWN BY: TA
DATE: 9-28-06	CHKD BY:



Update Print	1	TA	6-11-07
REVISIONS	NO.	BY	DATE
DWG. 2 OF 2	9000-400		
DWG. NO.	9000-400		