

4AC13 Features and Benefits

- R410a Refrigerant
- High-quality condenser coil with copper tubing and enhanced louvered fin for maximum heat transfer capacity
- Top discharge directs hot air away from living area and shrubbery
- All units factory run tested
- Available with louvered panel or wire guard coil protection option
- Easy access to electrical panels
- Hinged control panel allows simple access to internal components
- 45-degree service valves for easy hook-up and service
- Liquid line filter drier in every unit (factory installed)
- Charged for 15 feet of interconnecting tubing
- Liquid line filter drier installed in every unit
- All units ETL, ETLC approved and ARI listed
- 10 year limited parts warranty available

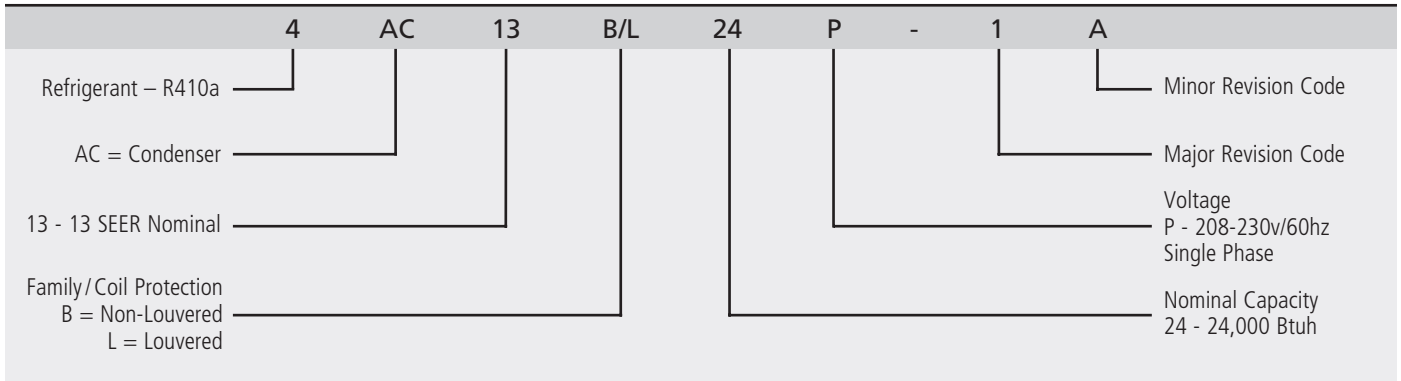


L Model



B Model

Model Number Guide



Electrical and Physical Data

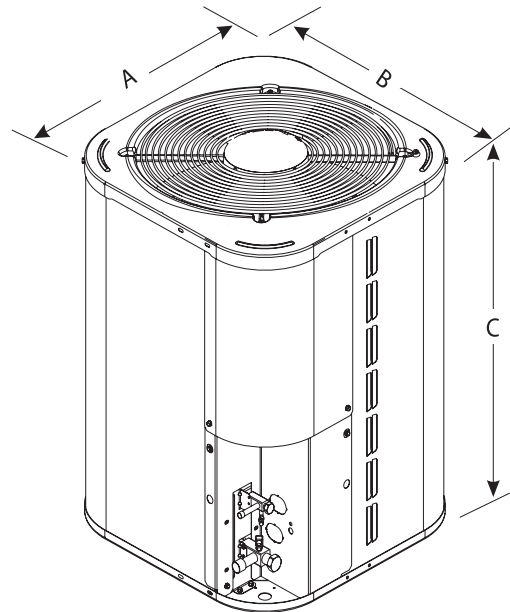
Model	Voltage/ Hz/ Phase	Voltage Range	Min. Circuit Amp.	Max. Fuse (amps)*	Compressor		Fan Motor			Refrig. Charge (oz.)**	Weight (lbs.) Wire Guard/ Louvered
					Rated Load (Amps)	Locked Rotor (Amps)	Full Load Amps	Rated HP	Nom. RPM		
4AC13(B,L)18P-1A	208-230/60/1	197 - 253	11.9	20	9.0	48	0.7	1/10	1075	72	129/139
4AC13(B,L)24P-1A	208-230/60/1	197 - 253	17.5	25	13.4	58.3	0.7	1/10	1075	75	130/140
4AC13(B,L)30P-1A	208-230/60/1	197 - 253	16.7	25	12.8	64	0.7	1/10	1075	98	166/179
4AC13(B,L)36P-1A	208-230/60/1	197 - 253	18.7	30	14.1	77	1.1	1/5	1075	106	172/187
4AC13(B,L)42P-1A	208-230/60/1	197 - 253	23.5	35	17.9	112	1.1	1/5	1075	126	207/229
4AC13(B,L)48P-1A	208-230/60/1	197 - 253	28.3	40	21.8	117	1.1	1/5	1075	140	222/238
4AC13(B,L)60P-1A	208-230/60/1	197 - 253	34.2	50	26.4	134	1.2	1/4	1075	166	239/256

* Overcurrent protection device

** Factory charge adequate for 15 feet of line set. Adjust per Installation Instructions

Unit Dimensions & Sound Ratings

Model	Dimensions			Sound Ratings (dBA)
	A - width (in.)	B - depth (in.)	C - height (in.)	
4AC13(B,L)18P-1A	22.5	22.5	25	76
4AC13(B,L)24P-1A	22.5	22.5	25	76
4AC13(B,L)30P-1A	30	30	25	78
4AC13(B,L)36P-1A	30	30	29	76
4AC13(B,L)42P-1A	30	30	37	78
4AC13(B,L)48P-1A	30	30	29	80
4AC13(B,L)60P-1A	30	30	33	80



Cooling Performance with Evaporator Coils

Outdoor Model	Indoor Model		SEER	EER	Rated ARI Capacity ¹	Rated Sensible Capacity	CFM	Refrigerant Connection				Refrigerant Line Size		Indoor Metering Device	
	Piston or Field Installed TXV	Factory Installed TXV						Outdoor		Indoor		Suction	Liquid	Req'd Indoor ²	Optional Indoor
								Suction	Liquid	Suction	Liquid				
4AC13(B,L)18*	E(C,M,U)1P19NA	-	13.00	11.00	18,000	12,800	600	3/4	3/8	3/4	3/8	3/4	3/8	0.053	A4TXV01
	E(C,M,U)1P18NA	-	13.00	11.00	18,000	13,000	600	3/4	3/8	3/4	3/8	3/4	3/8	0.053	A4TXV01
	E(C,H,U)1P23N(NA)	-	13.00	11.00	18,100	13,000	600	3/4	3/8	3/4	3/8	3/4	3/8	0.053	A4TXV01
	E(C,M,U)1P24NA	-	13.00	11.00	18,000	13,000	600	3/4	3/8	3/4	3/8	3/4	3/8	0.053	A4TXV01
4AC13(B,L)24*	E(C,H,M,U)1P23N(A,B)	-	13.00	11.00	23,400	16,800	750	3/4	3/8	3/4	3/8	3/4	3/8	0.057	A4TXV01
	E(C,M,U)1P24NA	-	13.00	11.00	23,400	16,800	750	3/4	3/8	3/4	3/8	3/4	3/8	0.057	A4TXV01
	E(C,H,M,U)1P29NA	-	13.00	11.00	23,600	17,000	750	3/4	3/8	3/4	3/8	3/4	3/8	0.057	A4TXV01
	E(C,M,U)1P30N(A,B)	-	13.00	11.00	23,400	16,800	750	3/4	3/8	3/4	3/8	3/4	3/8	0.057	A4TXV01
4AC13(B,L)30*	E(C,H,M,U)1P29NA	-	13.00	11.00	28,000	21,000	1000	3/4	3/8	3/4	3/8	3/4	3/8	0.062	A4TXV01
	E(C,M,U)1P30N(A,B)	-	13.00	11.00	27,600	21,300	1000	3/4	3/8	3/4	3/8	3/4	3/8	0.062	A4TXV01
	E(C,H,M,U)1P36N(A,B,C)	-	13.00	11.00	28,000	21,000	1000	3/4	3/8	3/4	3/8	3/4	3/8	0.062	A4TXV01
4AC13(B,L)36*	E(C,H,M,U)1P36N(A,B,C)	-	13.00	11.00	34,000	25,200	1200	3/4	3/8	7/8	3/8	3/4	3/8	0.065	A4TXV02
	E(C,H,M,U)1P43N(B,C)	-	13.00	11.00	34,000	25,200	1200	3/4	3/8	7/8	3/8	3/4	3/8	0.065	A4TXV02
4AC13(B,L)42*	E(C,H,M,U)1P43N(B,C)	-	13.00	11.00	39,500	29,600	1400	7/8	3/8	7/8	3/8	7/8	3/8	0.074	A4TXV02
	E(C,H,U)1P49NC	-	13.00	11.00	39,500	29,600	1400	7/8	3/8	7/8	3/8	7/8	3/8	0.074	A4TXV02
4AC13(B,L)48*	E(C,M,U)1P50NC	-	13.00	11.00	47,000	33,400	1500	7/8	3/8	7/8	3/8	7/8	3/8	0.082	H4TXV03
	E(C,H,U)1P49NC	-	13.00	11.00	47,500	33,700	1500	7/8	3/8	7/8	3/8	7/8	3/8	0.082	H4TXV03
	E(C,U)1P60ND	-	13.00	11.00	47,000	33,400	1500	7/8	3/8	7/8	3/8	7/8	3/8	0.082	H4TXV03
	E(C,H,U)1P62NC	-	13.00	11.00	47,000	33,400	1500	7/8	3/8	7/8	3/8	7/8	3/8	0.082	H4TXV03
4AC13(B,L)60*	E(C,H,U)1P62NC	-	13.00	11.00	56,000	39,800	1750	7/8	3/8	7/8	3/8	1-1/8	3/8	0.090	H4TXV03
	E(C,H,U)1P49NC	-	13.00	11.00	56,000	39,800	1750	7/8	3/8	7/8	3/8	1-1/8	3/8	0.090	H4TXV03
	E(C,U)1P60ND	-	13.00	11.00	55,500	39,400	1750	7/8	3/8	7/8	3/8	1-1/8	3/8	0.090	H4TXV03

¹Certified in accordance with Unitary Air Conditioner Certification Program, which is based on ARI Standard 210/240.

²Required to achieve ARI rating.

Cooling Performance with Air Handlers and Furnaces

Outdoor Model	Indoor Model		SEER	EER	Rated ARI Capacity ¹	Rated Sensible Capacity	CFM	Refrigerant Connection				Refrigerant Line Size		Indoor Metering Device	
	Piston or Field Installed TXV	Factory Installed TXV						Outdoor		Indoor		Suction	Liquid	Req'd Indoor ²	Optional Indoor
								Suction	Liquid	Suction	Liquid				
4AC13(B,L)18	RBCS2M18C****P	-	13.00	11.50	18,100	13,000	600	3/4	3/8	3/4	3/8	3/4	3/8	0.053	A4TXV01
	RBCS2M24V****P	-	14.00	12.00	18,300	13,200	600	3/4	3/8	3/4	3/8	3/4	3/8	0.053	A4TXV01
4AC13(B,L)24	RBCS2M24C****T	-	13.50	11.00	23,000	16,600	750	3/4	3/8	3/4	3/8	3/4	3/8	0.057	A4TXV01
	RBCS2M24V****P	-	14.00	11.50	23,200	16,700	750	3/4	3/8	3/4	3/8	3/4	3/8	0.057	A4TXV01
4AC13(B,L)30	RBCS2M30C****P	-	13.50	11.00	28,200	21,200	1000	3/4	3/8	3/4	3/8	3/4	3/8	0.062	A4TXV01
	RBCS2M36V****P	-	14.00	12.00	28,600	21,500	1000	3/4	3/8	3/4	3/8	3/4	3/8	0.062	A4TXV01
4AC13(B,L)36	RBCS2M36C****T	-	13.50	11.50	34,200	25,300	1200	3/4	3/8	3/4	3/8	3/4	3/8	0.065	A4TXV02
	RBCS2M36V****P	-	14.00	12.00	34,400	25,500	1200	3/4	3/8	3/4	3/8	3/4	3/8	0.065	A4TXV02
4AC13(B,L)42	RBCS2M42****P	-	13.50	11.00	39,500	29,600	1400	7/8	3/8	7/8	3/8	7/8	3/8	0.074	A4TXV02
	RBCS2M42V****P	-	14.00	11.50	40,000	30,000	1400	7/8	3/8	7/8	3/8	7/8	3/8	0.074	A4TXV02
4AC13(B,L)48	RBCS2M48****P	-	13.50	11.00	47,000	33,400	1550	7/8	3/8	7/8	3/8	7/8	3/8	0.082	H4TXV03
	RBCS2M48V****P	-	14.00	11.50	47,500	33,700	1550	7/8	3/8	7/8	3/8	7/8	3/8	0.082	H4TXV03
4AC13(B,L)60	RBCS2M60****P	-	13.00	11.00	56,000	39,800	1750	7/8	3/8	7/8	3/8	1-1/8	3/8	0.090	H4TXV03
	RBCS2M60V****P	-	13.50	11.00	56,500	40,100	1750	7/8	3/8	7/8	3/8	1-1/8	3/8	0.090	H4TXV03

¹Certified in accordance with Unitary Air Conditioner Certification Program, which is based on ARI Standard 210/240.

²Required to achieve ARI rating.

Cooling Performance — Extended Ratings

Outdoor Model	Indoor Model	Indoor Temp DB/WB °F	Outdoor Temp - DB°F														
			65			82			95			105			115		
			Btuh	S/T	kW	Btuh	S/T	kW	Btuh	S/T	kW	Btuh	S/T	kW	Btuh	S/T	kW
4AC13(B,L)18	EC1P19	85/72	22,700	.59	1.26	20,800	.63	1.48	19,300	.66	1.66	18,300	.68	1.84	17,200	.69	2.02
		80/67	22,100	.63	1.25	19,100	.68	1.46	18,000	.71	1.64	16,500	.74	1.82	15,100	.77	2.00
		75/63	17,700	.75	1.24	16,600	.77	1.46	15,700	.78	1.63	14,200	.83	1.81	12,700	.87	1.99
4AC13(B,L)24	EC1P23	85/72	28,500	.61	1.65	26,700	.64	1.93	25,400	.66	2.15	23,400	.69	2.39	21,400	.72	2.63
		80/67	26,200	.68	1.63	25,200	.70	1.88	23,400	.72	2.13	21,200	.76	2.37	19,000	.80	2.61
		75/63	24,400	.70	1.61	22,400	.73	1.89	20,900	.76	2.10	18,800	.81	2.33	16,800	.85	2.57
4AC13(B,L)30	EC1P29	85/72	32,900	.63	1.97	31,800	.65	2.31	30,900	.66	2.57	28,500	.70	2.85	26,100	.74	3.12
		80/67	31,000	.70	1.94	29,700	.70	2.25	28,000	.75	2.55	25,600	.79	2.82	23,300	.82	3.09
		75/63	29,400	.72	1.92	27,100	.75	2.25	25,300	.78	2.51	23,000	.82	2.77	20,700	.86	3.04
4AC13(B,L)36	EC1P36	85/72	38,000	.58	2.35	36,800	.62	2.76	35,900	.65	3.08	34,000	.69	3.43	32,200	.72	3.79
		80/67	36,300	.65	2.33	35,700	.70	2.72	34,000	.74	3.09	31,500	.78	3.41	29,100	.82	3.74
		75/63	33,900	.71	2.31	32,200	.74	2.72	31,000	.77	3.04	28,600	.83	3.37	26,100	.88	3.70
4AC13(B,L)42	EC1P42	85/72	49,400	.65	2.76	46,000	.66	3.24	43,300	.67	3.61	40,500	.70	4.02	37,700	.73	4.42
		80/67	46,900	.72	2.71	42,200	.73	3.17	39,500	.75	3.59	36,500	.79	3.99	33,600	.82	4.38
		75/63	43,700	.72	2.68	41,200	.78	3.16	39,200	.82	3.53	36,400	.83	3.94	33,500	.83	4.34
4AC13(B,L)48	EC1P48	85/72	53,800	.60	3.31	52,100	.62	3.90	50,900	.64	4.35	47,400	.66	4.79	44,600	.68	5.22
		80/67	52,100	.68	3.24	49,900	.69	3.76	47,000	.71	4.27	43,600	.74	4.73	40,200	.77	5.19
		75/63	49,500	.70	3.21	45,900	.73	3.80	43,200	.75	4.25	40,000	.78	4.69	36,900	.81	5.14
4AC13(B,L)60	EC1P62	85/72	65,300	.61	3.83	62,900	.63	4.56	61,100	.64	5.11	57,400	.66	5.67	53,800	.68	6.23
		80/67	62,300	.67	3.79	58,600	.69	4.44	56,000	.71	5.09	52,300	.74	5.64	48,500	.77	6.19
		75/63	59,400	.69	3.76	55,100	.72	4.47	51,900	.74	5.02	48,400	.77	4.57	44,900	.80	6.12

Accessories

Kit Number	Description	Where Used
14W00	Compressor Sound Cover	4AC13B/L 18, 24, 30, 36
14W01	Compressor Sound Cover	4AC13B/L 42, 48, 60
14W05	Crankcase Heater	4AC13B/L 18, 24, 30, 36
14W04	Crankcase Heater	4AC13B/L 42, 48, 60
12W19	Hard Start Kit	4AC13B/L 18, 24, 30, 36
12W20	Hard Start kit	4AC13B/L 42, 48, 60
A4TX01	TXV	4AC13B/L 18, 24, 30
A4TX02	TXV	4AC13B/L 36, 42
H4TX03	TXV	4AC13B/L 48, 60
14W07	Short Cycle Protection	All Units
40K58	Blower Off Delay Kit	All Units
14W08	Low Pressure Switch	All Units
34M72	Low Ambient Kit	All Units
20443001	Liquid Line Solenoid	All Units

Ducane[®]

AIR CONDITIONING AND HEATING

www.ducanevac.com
1-800-448-5872

All specifications and illustrations
subject to change without notice
and without incurring obligations.

