

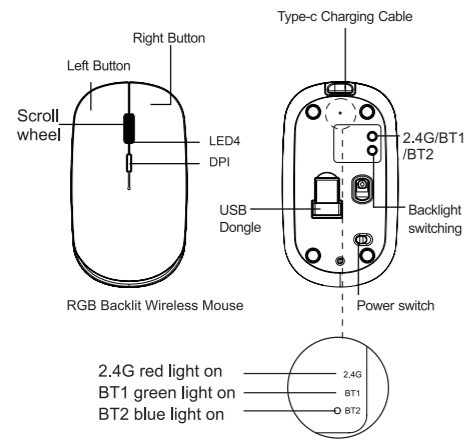
# User Manual

## Wireless Mouse

Model:MC221

### Package includes

- ▶ Backlit Wireless Mouse
- ▶ Product Manual
- ▶ Type-c Charging Cable
- ▶ 2.4G Receiver



LED 4: Charging Indicator/Low Power Indicator

-1-

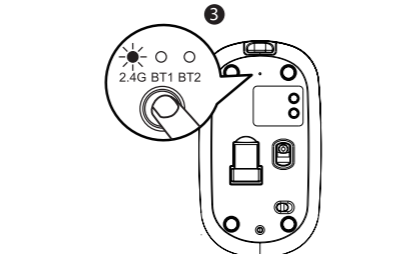
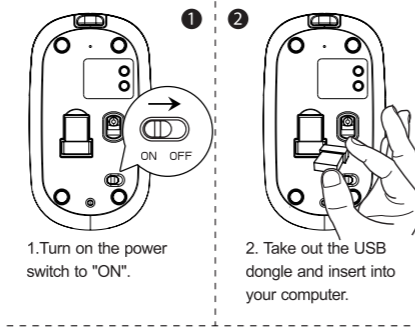
**LED Indicator Light:**  
Charging: When charging, LED 4 red light will stay on and will turn off after fully charged  
Low Power Indicator: LED4 red light flashes slowly  
**switch backlight effect buttons:**  
Click the backlight switching to switch 15 different lighting effects, Hold and press the backlight switching for 3 seconds to close or turn on the backlight of the mouse.

### Product Specifications

DPI:800/1200(default)/1600  
Weight:70g  
Battery Capacity:500mAh  
Working current(turn on backlight):15mA  
Working time(turn on backlight):35h  
Working current(turn off backlight):10mA  
Working time(turn off backlight):50h  
Connection distance:10m  
Sleep Mode: Enters into sleep mode after 15 minutes  
Compatible Systems: Windows XP, Windows 7, Windows 10, Mac OS, Android, iPad OS, IOS  
Notice:  
BT 5.0 Mouse can only be used on Windows 8, Windows 10, Mac OS X 10.10, or higher.  
BT3.0 Mouse and 2.4G are compatible with Windows XP, Windows 7, Windows 10, Mac OS 10.10 or higher.

-2-

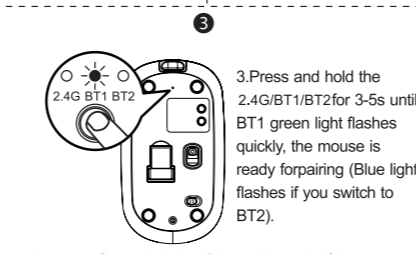
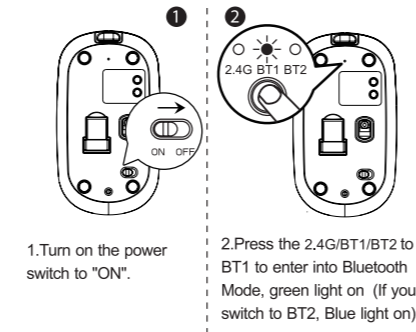
### 2.4G Wireless Mode Connection



Press the 2.4G/BT1/BT2 to 2.4G, red light on, indicating you have successfully connected to 2.4G mode.

-3-

### Bluetooth Mode Pairing Step



when you first switch into Bluetooth mode, if the indicator light flashes quickly, indicating that the mouse has entered into pairing status, waiting to connect.

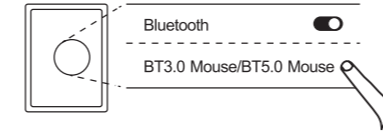
-4-

### iPad/iPhone System

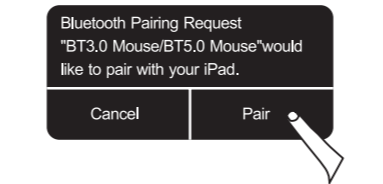
\*Mouse function is only supported on iPadOS13/ iOS 13 or later.

Please complete the Bluetooth mode pairing step 1/2/3 before pairing.

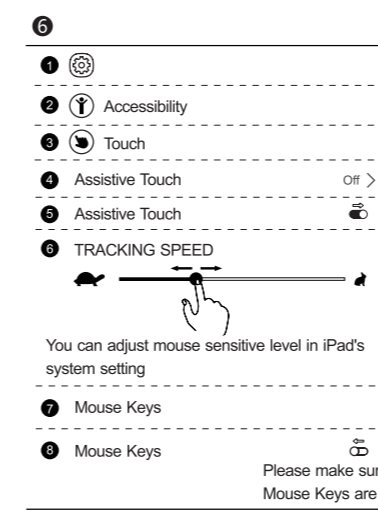
4. Turn on bluetooth, click "BT3.0 Mouse/BT5.0 Mouse". It is recommended to choose BT 5.0 Mouse connection.



5. Click Pair.



-5-



You can adjust mouse sensitive level in iPad's system setting  
Please make sure the Mouse Keys are off.

-6-

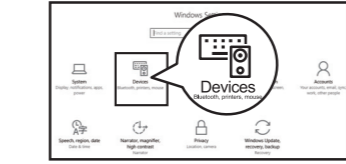
### Windows 10 System

Please complete the Bluetooth mode pairing step 1/2/3 before pairing.

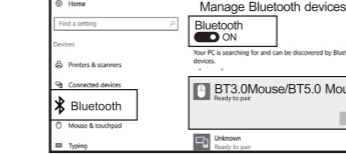
4. Click "Bluetooth Device"



5. Click "Add or remove a Bluetooth device"

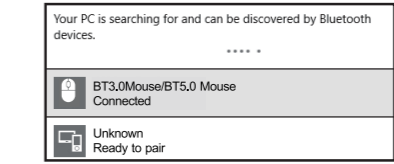


6. Your computer will automatically search for "BT3.0 Mouse/BT5.0 Mouse" and then click "Pair". It is recommended to choose BT 5.0 Mouse connection.



-7-

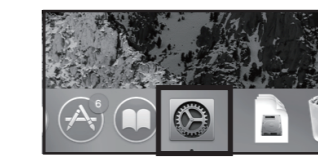
7. "BT3.0 Mouse/ BT5.0 Mouse" is connected and you can use the mouse. Your PC is searching for and can be discovered by Bluetooth devices.



### Mac OS System

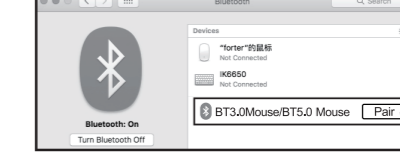
Please complete the Bluetooth mode pairing step 1/2/3 before pairing.

4. Click "System Preferences" on Mac.



-8-

5. click "Bluetooth" in "System Preferences". It is recommended to choose BT 5.0 Mouse connection.



6. Your computer will automatically find "BT3.0 Mouse/BT5.0 Mouse", then click "Pair", and you can use it after installation.

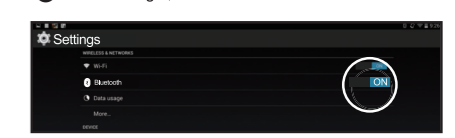


-9-

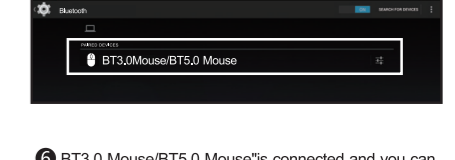
### Android System

Please complete the Bluetooth mode pairing step 1/2/3 before pairing.

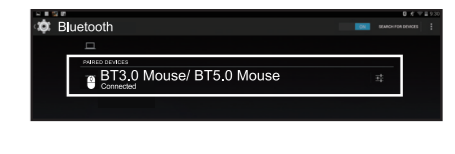
4. Click "Settings", turn on Bluetooth.



5. Your computer will automatically search for "BT3.0 Mouse/BT5.0 Mouse" and then click "Pair". It is recommended to choose BT 5.0 Mouse connection.



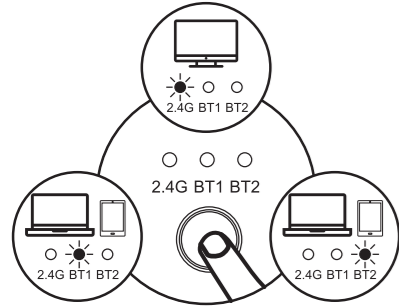
6. BT3.0 Mouse/BT5.0 Mouse" is connected and you can use the mouse.



-10-

### Mode switching instructions

2.4G USB mode Indicator is red light



BT1 mode Indicator is green light  
BT2 mode indicator is blue light

### 2.4G Connection

Press the 2.4G/BT1/BT2 to 2.4G, red light on, you have switched to 2.4G mode.

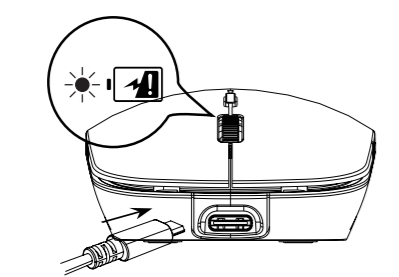
### Switch to Bluetooth Mode (Take BT 1 for example)

1. Press the 2.4G/BT1/BT2 to BT1, green light on.
2. Press and hold the 2.4G/BT1/BT2 for 3-5s until BT1 green light flashes quickly, the mouse is ready for pairing.
3. "BT 3.0 Mouse/BT 5.0 Mouse" shows connected, now you are ready to go.
4. You can repeat above steps if you switch to BT2.

-11-

### LED light indication

Charging: LED4 red light keeps on, and turns off when fully charged.



### Warm Reminder

1. The mouse will enter into sleep mode after 3 minutes of inactivity, mouse backlight will turn off automatically, you can click any key to wake up
2. When the mouse backlight is dimmed or automatically turned off, it indicates that the mouse is in a low battery state, please charge the mouse in time.

-12-

### Frequently asked questions

Q1: What should I do if the Bluetooth connection fails?

A1: Please try to reconnect after removing other connected Bluetooths from your device, or turn off the mouse and turn back on, then reopen the device to connect to the mouse.

Q2: What should I do if the mouse sensor has lag problem

A2: Please try to turn off the mouse and then turn back on or fully charge it before use.

Q3: What should I do if the mouse does not respond?

A3: If you turn on the mouse power switch and the mouse indicator light or backlight does not light up, please turn off the mouse and fully charge it.

Q4: I received a defective product. What should I do

A4: Please contact us at customer-service@wisfox.com with your order ID, we will address your issue within 24 hours and arrange you a refund or a replacement.

-13-

### FCC Warning:

This equipment has been tested and found to comply with the limits for a Class B digital device, pursuant to part 15 of the FCC Rules. These limits are designed to provide reasonable protection against harmful interference in a residential installation. This equipment generates, uses and can radiate radio frequency energy and, if not installed and used in accordance with the instructions, may cause harmful interference to radio communications. However, there is no guarantee that interference will not occur in a particular installation. If this equipment does cause harmful interference to radio or television reception, which can be determined by turning the equipment off and on, the user is encouraged to try to correct the interference by one or more of the following measures.

- Reorient or relocate the receiving antenna.
- Increase the separation between the equipment and receiver.
- Connect the equipment into an outlet on a circuit different from that to which the receiver is connected.
- Consult the dealer or an experienced radio/TV technician for help.

Caution: Any changes or modifications to this device not explicitly approved by manufacturer could void your authority to operate this equipment.

This device complies with part 15 of the FCC Rules. Operation is subject to the following two conditions: (1) This device may not cause harmful interference, and (2) this device must accept any interference received, including interference that may cause undesired operation.

The device has been evaluated to meet general RF exposure requirement. The device can be used in portable exposure condition without restriction.

-14-