

M66GF (MOUSE)

1.1 Product Briefing Of Mouse

M66GF is an ODM project to TOSHIBA Host (All in One) 2.4GHz wireless mouse with 3-buttons.

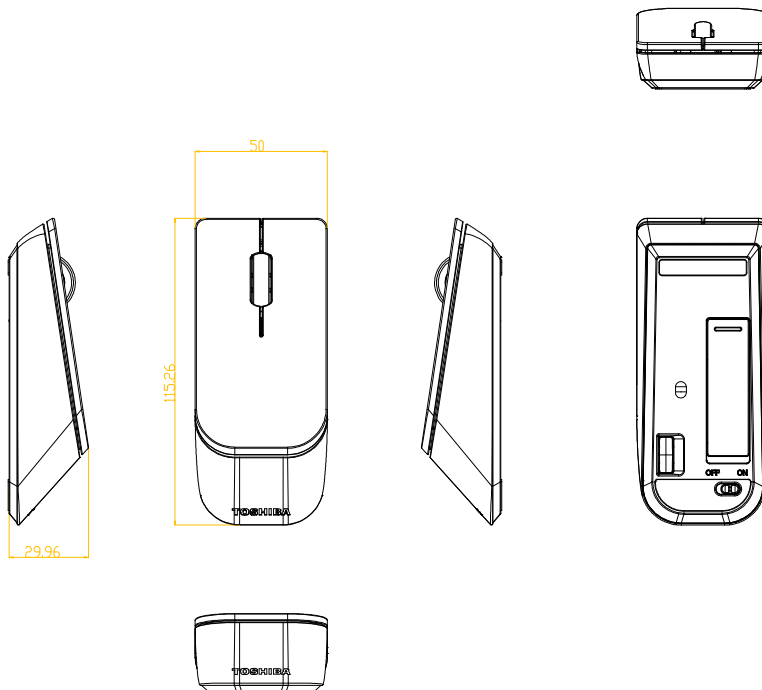
1.2 Main Feature Of Mouse

- ◆ Sensor type: Laser
- ◆ 3-button with wheel
- ◆ Resolution: 1600 dpi
- ◆ LED indicator: 1-colors in 1 LED (“Status”, “Battery alarm”)
- ◆ Power switch: Mechanical slide switch
- ◆ Sensor IC: Pixart 7530 Laser Sensor
- ◆ Low power indicator (Battery voltage below 1.1V)

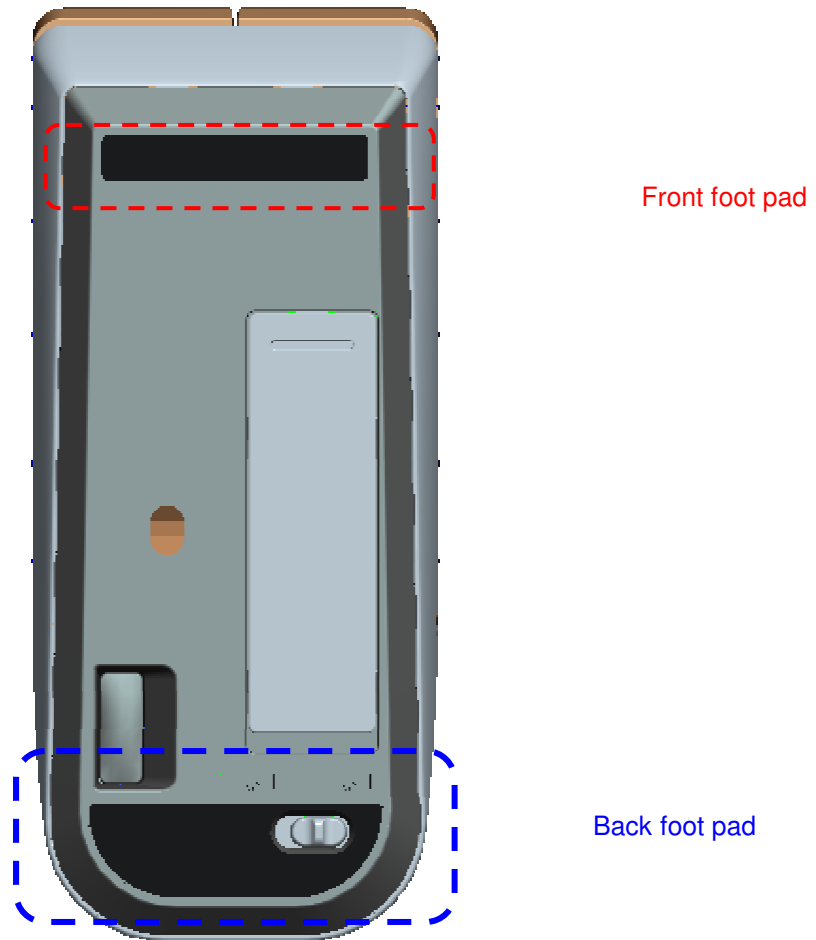
1.3 Batteries Of Mouse

- ◆ AA batteries x 1

1.4 Outline Dimensions



Rubber foot : Two kind of rubber foots. Please refer to the below picture.



FCC ID: CJ6-M66GF

FCC Statement:

This device complies with Part 15 of the FCC Rules. Operation is subject to the following two conditions: (1) This device may not cause harmful interference, and (2) this device must accept any interference received, including interference that may cause undesired operation.

FCC Caution: Any changes or modifications not expressly approved by the party responsible for compliance could void the user's authority to operate this equipment.