

**SUBMARINE**  
**User Manual**  
**GSM Mobile Phone**  
**FCC ID: C89SUBMARINE**

## **WELCOME**

Thank you for purchasing GSM Mobile Phone. This guide describes the basic functions of SUBMARINE cell phone to help you better use this phone.

The content of this manual is correct. But some of the manual may be different from the mobile phone because of the difference of software, SIM cards or service provider. Some features require phone support, please check carefully for use. The company retains the right to amend the technical specifications without notice.

<b>WELCOME .....</b>	<b>II</b>
<b>Important safety precautions.....</b>	<b>2</b>
<b>Important safety precautions.....</b>	<b>2</b>
<b>Getting started .....</b>	<b>3</b>
Battery use.....	3
Installing the battery.....	3
Charge the battery .....	4
SIM card information.....	4
Installing the SIM card .....	5
Access codes.....	5
Insert memory card.....	7
Earphone .....	7
<b>Standby mode .....</b>	<b>7</b>
Phone layout.....	8
Enter text .....	10
<b>Call functions .....</b>	<b>11</b>
Make a call.....	11
To make an international call .....	11
To Make a call from the phonebook.....	11
Answering or rejecting an incoming call.....	11
To answer the incoming call .....	11
To reject an incoming call .....	11
To send message (SMS) during a call or conference call.....	11
Call waiting .....	11
<b>Main menu .....</b>	<b>12</b>

Overview of menu functions.....	12
<b>Call center .....</b>	<b>12</b>
Missed calls .....	13
Dialed calls .....	13
Received calls.....	13
Delete call logs .....	13
Call settings .....	13
SIM 1/2 call setting .....	14
Call time reminder.....	14
<b>Services .....</b>	<b>14</b>
SIM Tool Kit .....	14
Internet service .....	14
Homepage .....	14
Bookmarks.....	14
Recent pages.....	14
Input address .....	14
Recent pages.....	14
Setting.....	14
Data account.....	14
<b>Phonebook .....</b>	<b>15</b>
Add New Contact.....	15
Caller groups .....	15
Speed dial.....	16
Delete all contacts .....	16
Copy All .....	16
Move All.....	16
Settings.....	16
<b>Messaging .....</b>	<b>16</b>

Text Message .....	17
Multimedia message .....	17
Inbox .....	17
Outbox .....	17
Drafts .....	17
Memory status .....	17
Delete all messages.....	17
Templates .....	17
Message Settings .....	17
Voicemail server .....	17
Broadcast Message .....	17
Memory Status.....	18
File manager.....	18
<b>Organizer .....</b>	<b>18</b>
Calculator.....	18
Alarm .....	18
Calendar .....	19
Number location.....	19
Ebook reader .....	19
World clock .....	19
<b>Multimedia .....</b>	<b>19</b>
Audio player.....	19
Image viewer .....	20
Video recorder .....	20
Sound recorder .....	20
Video player.....	20
Camera.....	21
FM radio.....	21
<b>Settings.....</b>	<b>22</b>

Dual SIM Settings .....	22
User profiles.....	22
Display .....	22
Time and Date .....	22
Phone settings .....	23
Connectivity .....	23
Bluetooth.....	23
Network settings .....	24
Security Settings.....	24
SIM1 Security .....	24
SIM2 Security .....	25
Phone lock .....	25
Auto keypad lock.....	25
Change Password.....	25
Restore factory settings .....	25

## Important safety precautions

- ◆ Don't expose your phone to dust, dirt, sand, food, or other inappropriate materials. Do not drop, knock, or shake the phone. Rough handling can break internal circuit boards.
- ◆ In a thunderstorm, do not use the phone while charging, or use the phone outdoors, to avoid being struck by lightning or other damage.
- ◆ Do not leave the battery in hot places, it may cause fire or explosion.
- ◆ Do not store or carry flammable liquids, gases, or explosive materials in the same compartment as the phone, its parts, or accessories.
- ◆ Remember to follow any special regulations in force in the area you are in, and always switch off your phone whenever it is forbidden to use it, or when it may cause interference or danger.
- ◆ Do not put the phone in or on heating devices, such as a microwave oven, stove, or radiator. The phone may explode when overheated.
- ◆ Do not attempt to open the phone's casing. Non-expert handling of the phone may cause damages to your phone. If the phone or any of its accessories are not working properly, take them to your nearest qualified service center. The personnel there will assist you, and if necessary, arrange for the phone to be repaired.
- ◆ Use only accessories and charging devices approved by the phone manufacture! Otherwise you risk serious damage to health and property. The battery could explode, for instance.
- ◆ Do not short-circuit the battery. Accidental short-circuiting can occur when a metallic object like a coin, clip or pen causes a direct connection between the + and – terminals of the battery (metal strips on the battery). For example, do not carry a spare battery in a pocket or bag where the battery may contact metal objects. Short-circuiting the terminals may damage the battery or the object causing the short-circuiting.
- ◆ The battery can be charged and discharged hundreds of times, but it will gradually wear out. When the operation time is noticeably shorter than normal, it is time to buy a new battery. Do not continue to use the broken USB data cable or battery charger.
- ◆ If you use any other personal medical devices, consult the manufacturer of your device to determine if it is adequately shielded from external RF energy. Your physician may be able to assist you in obtaining this information. Switch off your phone in health care facilities when regulations posted in these areas instruct you to do so.

- ◆ Do not use mobile phones when driving. When driving a car, driving is your first responsibility. When using your wireless phone while driving, follow local regulations in the country or region you are in.
- ◆ Keep the phone and all its parts and accessories out of the reach of small children and pets. They accidentally damage these things or choke on small parts.
- ◆ Do not clean the phone while charging the phone. You may be electric-shocked if you use the phone while charging the phone with the USB data cable or the battery charger. Make sure to disconnect the USB data cable or the charger before using the phone.
- ◆ Do not use harsh chemicals, cleaning solvents, or strong detergents to clean the phone. Wipe it with a soft cloth slightly dampened in a mild soap-and-water solution.
- ◆ Dispose of worn out batteries and phone in accordance with local provisions!
- ◆ Extreme heat or cold ;Avoid temperatures below 0°C/32°F or above 40°C/104°F



## Getting started

You need to insert the SIM card and charge the battery before using the phone.

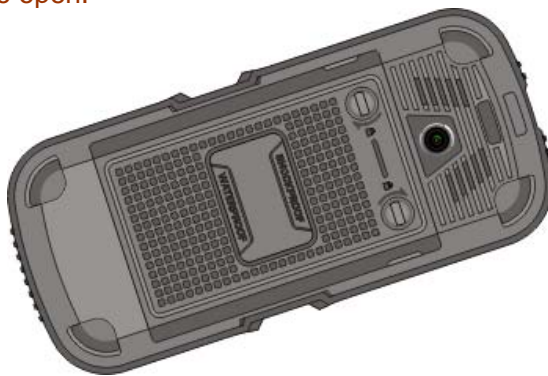
### Battery use

To extend the battery life of your device:

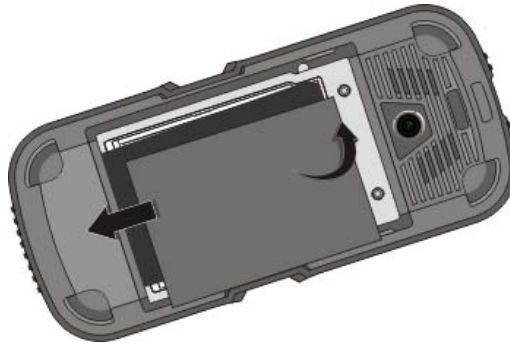
1. Use the standard wall charger to charge the battery for the first time.
2. During the first 3-4 charge cycles, charge the battery until the battery indicator on the display stops scrolling.
3. Avoid partial charging. Also, wait for the battery to discharge completely before charging it again.
4. Charge the battery using the USB cable only if the recommended wall charger isn't readily available.
5. Avoid keeping the device on vibrate mode.

### Installing the battery

1. Loosen the screw, hold the back cover and gently slide in upward direction to open.



2. If the battery is in the compartment, lift and pull it out in the direction of the arrow (shown below).



3. Replace the battery. Align the contacts of the battery with the corresponding connectors in the battery compartment.

### **Charge the battery**

To charge the device battery:

1. Take the USB cable from the device packaging, and attach it to power adapter. Now connect the power adapter into a standard AC wall outlet.
2. Connect the micro USB connector on the cable into its designated port on the device (left side). The battery level indicator on the device screen will start scrolling horizontally to indicate that the battery is being charged.

**NOTE:** Exercise extreme caution while connecting the charger to the device. The connectors on the charger and on the phone may get damaged if too much force is applied while connecting them. If the battery is completely discharged, it may take a while before the on-screen charging indicator starts scrolling.

3. When the battery is fully charged, the battery level indicator on the device screen will stop scrolling horizontally. Once charging is complete, disconnect the charger from the device, and then from the wall outlet.

### **SIM card information**

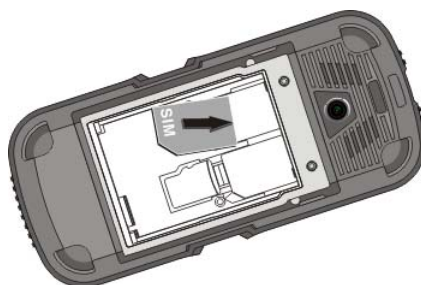
When you subscribe to a cellular network, you receive a plug-in SIM (Subscriber Identity Module) card loaded with your subscription details, such as your PIN, and available optional services.

Be careful to handle, insert or remove the SIM card since the SIM card and the contacts inside can easily be damaged by scratching or bending.

**Note:** Before installing/removing the SIM card, always make sure that the phone is switched off.

### **Installing the SIM card**

Insert the SIM cards into their respective slots. Make sure that the contact area on the cards is facing the connectors on the device (as shown below).



### **Access codes**

There are access codes for your SIM card. These codes help you to protect the phone against unauthorized use.

When requested for any of the code explained below, key-in the appropriate code (displayed as asterisks) and press the OK key.

- **PIN**

The Personal Identification Number or PIN (4-8digits) protects your SIM card against unauthorized use. The PIN comes with the SIM card; see the SIM card instruction provided with your card.

If you enter an incorrect PIN three times in succession, the code will be disabled and cannot be used until you re-enable it by entering the PUK.

- **PUK**

The 8-digit PUK (Personal Unblocking Key) is required to change a disabled PIN. The PUK may be supplied with the SIM card. If not, or in case you have lost it, please contact your service provider.

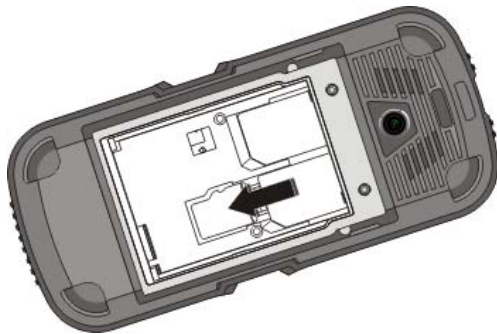
To re-enable your PIN, proceed as follows.

1. Key-in the PUK and press the OK key.
2. Enter a new PIN of your choice and press the OK key.
3. When the Confirm New PIN message is displayed, key-in the same code again and press the OK key.

If you enter an incorrect PUK ten times in succession, the SIM card becomes invalid. Please contact your service provider for a new card.

### **Insert memory card**

Insert memory card. Take compatible micro SD card, and place it into its slot.


















## Earphone

Connect the micro USB connector on the cable into its designated port on the device (left side).

## Standby mode

In the main display, you may see several icons displayed on your status bar. The meaning for each icon is explained below:

	Vertical bars indicate the signal strength of the GSM network signal. Five bars indicate that your current position has the best reception.
	Dual SIM are Activated.
	Indicates new text message(s). in SIM 1 or SIM 2.
	Indicates that the SIM 1 call divert is activated.
	Indicates a missed call in SIM 1.
	Indicates that the alert type of your phone is set as ring.
	Indicates that the alert type of your phone is set as vibrate.
	Indicates that the alert type of your phone is set as ring and vibrate.
	Indicates that the alert type of your phone is set as vibrate then ring.
	Indicates that the alert type of your phone is set as light.

	Indicates your phone is locked.
	Indicates that the alert type of your phone is set as headset.
	Indicates the alarm clock is set.
	Indicates the battery charge level.
	Indicates you are using Bluetooth.

**Phone layout**



No.	Key note	Functional Description
1	Left soft key (LSK)	Press to perform the function currently displayed in the lower left corner of the screen. Long press to activate the flashlight
2	Right soft key (RSK)	Press to perform the function currently displayed in the lower right corner of the screen.
3	SIM key	Access to call record menu.
4	PTT key	Quick access to FM.
5	Send key	Press to make a call. Hold to redial the last number called.
6	End key	To hand up on a call during a call or power on/off.
7	Navigation keys	In the standby mode, quick access to (Up key) QQ (Left key) Music Player (Right key) SMS (Down key) MSN Move the cursor to select the menu you want.
8	OK key	Confirm key
9	Numeric keypad	Input numbers or characters
10	receiver	receiver
11	USB port	USB port
12	Earphone jack	Earphone jack
13	LED	Flashlight
14, 15	Volume key	Press to adjust the volume of your phone.
16	viewfinder	viewfinder
17	loudspeaker	loudspeaker

## Enter text

### ABC, Stroke, Number, and Symbol modes

You can enter text in some features such as Messages, Phonebook, or Calendar, using ABC mode, Stroke, Number mode, and Symbol mode. You can enter text by pressing the alphanumeric keys on the phone.

### Text Input Options:

While you are in text editing mode, you will be in several modes.

When you see [Option] and [Clear] in the soft key, press the soft key (left) for option: you can save the entry or change the Text Input Method. To erase a character, press the soft key (right) next to the character you want to erase.

### Stroke Text Editing Mode

Stroke Text Editing Mode is a predictive text input mode that allows you to key in any character using single keystrokes.

While you are in stroke editing mode, press the alphanumeric key once for one character. You will see stroke suggested words.

For example, press 4,3,5,5 and 6 key to enter "hello" in English word mode. stroke predicts the word that you are typing, and it may change with each key that you press. And press the [Select] soft key (left) to select the word you want to write.

### You can define the default Input Method of your phone and change input methods time to time.

To define your preferred input method, go to **Phone Setup** sub menu in **Settings** menu. Then select **Preferred Input Method**. Once you set the preferred input method, next time you edit in text input mode, the setting will be applied until you change to another.

If you want to change the text input method temporarily, in the text input mode, press [Option] soft key, and select "Input Method" from the option.

- You can change the text input method with the [#] key; the input methods will swap when you press the [#].
- Press the [\*] key to select Symbols.
- Press and hold the [\*] key to activate silent profile mode..
- Press [1] to enter periods or apostrophes automatically.
- Press [0] to insert a space, long press to enter "+\p\w" in idle screen..

## Call functions

### Make a call

This gives you information about the calling service supported in your phone.

In standby mode, key in the number, including the area code, and press **send** key. Your phone will dial out based on your default dial setting.

#### To make an international call

- For international calls, long press [0] for the international prefix (character +).
- Key in the country code, area code and the phone number.
- Press **send** key to call.

#### To Make a call from the phonebook

- In the standby mode, press right soft key (RSK) to enter Phonebook. Scroll to the desired contact name or type the name in the input box, and then press send key to make the call.
- You can also press Menu and choose Phonebook submenu. Use navigation keys to select Search option. You can directly select a name from the phonebook list or enter the name in the quick search field. Then press **send** key to make the call.

### Answering or rejecting an incoming call

#### To answer the incoming call

- Press **send** key to answer the call.

#### To reject an incoming call

- Press end key to reject the call.

#### To send message (SMS) during a call or conference call

You are also allowed to send SMS during an incoming call.

- Select Options and Messages.
- Under Messages menu, select Messages and press OK. Select Write Messages. For details on SMS, please see "To write a SMS".

### Call waiting

You can answer another incoming call while you have a call in progress.

During a call, press left soft key (LSK) to enter the **Option** menu to hold the current call and switch to the new incoming call. You can swap back



anytime by pressing left soft key (LSK) again and select **Swap**.

## Main menu

To access Menu mode, press [**Menu**] in Idle mode.  
Some menus are operator, network and subscription dependent.

### Overview of menu functions

Basic menu	Call center Multimedia Services Phonebook Messaging File manager Organizer Settings
Multimedia	Image viewer Video recorder Video player Sound recorder Audio player Camera FM radio

## Call center

Use this menu to view the calls you have dialed, received, or missed, and the length of the calls.

To access this menu, press [**Menu**] in Idle mode and select Call History or press send.

### **Missed calls**

In **Call Record** menu, choose **Missed Calls**, and press **OK** to view the records. This menu displays the most recent received calls that you did not answer.

### **Dialled calls**

This menu displays the most recent calls you have dialled.

### **Received calls**

This menu displays the most recent calls you have received.

### **Call settings**

#### **SIM 1/2 call setting**

This option enables you to set the general call settings of the phone.

The options are: **SIM1/2 call settings**

**Call waiting:** You can activate this function or deactivate it, and also view the current settings via query.

**Call divert:** You can set to forward the incoming call in different conditions and enable to Activate/Deactivate call diversion and check the Query status.

**Call barring:** In order to activate this service, it requires the services provided by the network service provider. When you change barring password, you need to input the old password.

**Line switching:** Enables you to touch Line 1/2 for the phone.

**Closed user group:** This is a network based service. It enables to enter group name and edit as per individual requirement.

#### **Select SIM**

Use SIM 1/2 as default SIM.

#### **Call time reminder**

After setting this function to 'on', it will offer a warning tone towards the single or periodic setting as your own during the call process, so you will be reminded of the call time at periodic intervals during a call.

#### **Call time display**

Enable to view the call duration for the active call.

### **Auto redial**

You can touch to redial the number automatically when a call is not connected.

## **Services**

Service describe in the following are supported by your service provider.

Service describe in the following are supported by your service provider. If you cannot connect either one of those services, you might contact with your service provider for further information.

### **SIM Tool Kit**

In addition to the functions available in the phone, your service provider may offer additional applications such as weather or stock market information via the SIM card. This function is only supported when SIM card inserted.

### **Homepage**

Once connected, the homepage is displayed. The content depends on the service provider. To exit the browser, press end key.

### **Bookmarks**

**You can use this menu to save URL addresses to quick access a web site.**

### **Recent pages**

You can view the recent pages you have visited.

### **Input address**

You can edit URL addresses to access a web site.

### **Service inbox**

Used to receive network information. Such as: WAP PUSH message.

### **Settings**

If the settings have made by the service provider, you may begin immediately. If the accessed profiles have been assigned by your service provider, select a profile and activate it. Otherwise, you may key in setting manually. For appropriate settings, contact your network operator or service provider.

### **Data account**

Default data accounts based on major operators at the time this phone is manufactured are provided.

## Phonebook

You can store phone numbers on your SIM card and in your phone's memory. The SIM card and phone's memory are physically separate, but they are used as a single entity called Phonebook. To access this menu, press **[Menu]** in Idle mode and select **Phonebook** or press RSK key to enter **Phonebook** .

### Search

Search names and numbers saved in the **Phonebook**.

Select the one you wish to call, and press Send Key to make a call.

In the search mode, you might press key to change the input method.

### Add New Contact

Use this menu to add a new contact to Phonebook, SIM1 and SIM2, private phonebook.

### Caller groups

There are five default caller groups on the phone. You can edit each group's name, caller ring tone, caller picture, caller video in the group settings. You can add, delete a member (all members) in the specified group. With the caller group function, you can send a message to all members of a group at the same time.

### Speed dial

If you assign the number to one of the speed dialing keys (from 2 to 9 ) saved in the phonebook list, you can call the phone number by long pressing the key in the standby mode.

### Delete all contacts

You can delete all phonebook data in SIM1, SIM2 or Phone.

### Copy All

Allows you to copy contacts among two different storage locations, such as from SIM1 to SIM2 or SIM1 to Phone.

### Move

Allows you move contact information to different storage location.

## Phonebook settings

Your phone provides you various setting options to personalize your phone, including **Extra number**, **Memory status**, **Preferred storage** and so on.

## Messaging

Use the Messaging menu to send and receive short messages and multimedia messages. You can also use a voice-mail, and cell broadcast message features. To access this menu, press **[Menu]** in Idle mode and select **Messaging**. Message functions are available depending on network services that your service provider supports.

### Text Message

Use this menu to create and send a message.

### Multimedia message

Use this menu to create and send a multimedia message.

Multimedia Message Service (MMS) delivers messages containing a combination of text, image, and audio, from phone to phone or from phone to e-mail.

**Note:**

- The maximum size allowed for a message can differ, depending on your service provider.
- Depending on the file type or DRM (Digital Rights Management) system, some files may not be able to be forwarded.

### Inbox

This folder stores all of the messages you have received, except for e-mails.

### Outbox

You can view the messages that the phone has failed to send.

### Drafts

This folder stores messages you have saved to send at a later time.

### Memory status

You can view SMS copied to memory card.

### Delete all

This folder helps you to delete all messages in selected folder as Inbox, Outbox, Draft and Delete All Folders.

### Template

Use this menu to make and use templates of frequently used messages.

### **Message Settings**

Within the Message Settings sub-menu, you can define default values on common parameters for mobile-originated messages.

### **Vicemail server**

Your phone allows you to access your voice mailbox quickly if your operator supports this function. Your voice mail number will be provided by your service provider and displayed in the phone.

**Note:** To use this function, you may need to enter the voice server number obtained from your service provider.

### **Broadcast Message**

This network service allows you to receive the broadcast messages on various topics such as weather, traffic, local district code, local hospitals, taxis or pharmacy in your area.

For more information about broadcast message topics, please contact your service provider.

**Note:** This service may not be available on all networks. For more information about the available subjects, please contact your network service provider.

### **Memory Status**

Allows you check memory status in the Phone, SIM 1 and SIM 2.

### **File manager**

In this menu, you can manage images, audio, music, photos, and other contents you have downloaded. Two menus will be displayed: Phone, Memory. Scroll to **Phone** and press **Options**, the options include: **Open** and **Format**. Scroll to **Memory card** and press **Options**, the options include: **Open**, **Rename**, **Memory Status** and **Format**.

### **Organizer**

### **Calculator**

The calculator applies simple calculate function such as addition, subtraction, multiplication and division.

### **Alarm clock**

This function allows you to set the alarm to ring at the time specified. The alarm clock works even when the phone is switched off.

In the menu, choose **Alarm Clock** and press **OK**.

Press **Edit** to set alarm time.

To set the alarm, directly input the hours and minutes via numeric keys, using either 12-hour or 24-hour time format. You can change the time format from 24-hour to 12-hour in Time Format under Date And Time submenu of Settings menu.

Choose Once/ Mon-Fri/ Mon-Sat/ Everyday in Repeat option for your ring mode, and press Done.

In Audio Tone option, you may customize the alarm tone from Audio selections provided or from an FM Radio channel. Press the navigation left/right keys to switch between **Audio/ Radio** options.

## Calendar

This feature allows you to keep track of your schedule and event saved in the calendar. You can also switch on the alarm with the task for reminding.

Your phone provides the following selections for your option:

**View:** To view the note stored in a specified date.

**View all:** To view all notes stored in a specified date.

**Add event:** To add a new event in a specified date.

**Delete event:** To delete a specific task, multiple tasks or all tasks.

**Jump To Date:** To jump to a specific date.

## World clock

You can select a world city via the navigation left and right keys. When the cross points out a certain city, it will show the local date and time.

Also, you may press **Options** to turn on/off **Daylight Saving Time** for a foreign region.

## Ebook reader

You can read any file in TXT format saved in the memory card. Just copy the file in the folder of [eBook] in the memory card under the directory [File management], and run the ebook feature. If the file is not in the folder, just "open the electronic book" through the options of the file, and the file will be moved to the folder automatically.

## Multimedia

### Audio player

You may enter the audio player via multimedia. You may listen to the music, speech, or even listen to an English lesson in MP3 and AAC format. You may also download the music content via USB or other connection. Music tracks must be saved in **My Music** folder in **File Manager** in order to be automatically detected and added into the default play list. You may listen to the music through the headset or loudspeaker. The user-friendly interface is specially designed to enable users to control, play, pause, and stop the music player as you wish.

If you are a first-time user, your music player will automatically detect and add all the music tracks into the default play list. When you use the music player next time, select any music track to access the following options:

**Now Playing:** Allows you to view a list of now playing.

**My Play lists:** Allows you to create 2 play lists according to your personal preference, in addition to the default play list. Select one song in any play list, and access the following options:

**Tracks:** Allows you to view my play lists.

**Settings:** Allows you to turn on auto refresh play list. In the **Music Player** menu, choose **Settings**. The setting options include:

#### Player Settings

**List auto gen.:** You can choose to refresh play list automatically or not.

**Repeat:** You can choose to repeat all songs, one songs or turn off this function.

**Shuffle:** This function is to mix the music tracks with different order.

**Background Play:** This function allows the phone to play the music continuously if you go back to the idled mode.



## Image viewer

All images can be reviewed from the phone or memory card. You may choose to view your images in **List Style** or **Matrix Style**.

Your phone provides the following selections for your option:

**View:** Allows you to view the pictures saved in Image viewer .

**Delete:** Allows you to delete the pictures in the **Image viewer**.

**Send:** Allows you to forward a photo image via MMS or Bluetooth

**Rename:** Allows you to rename the file.

**Delete all:** Allows you to delete the pictures in the **Image viewer**.

**Sort by:** Allows you to view the related information about the selected image.

## Video recorder

In Multimedia menu, select Video Recorder and press OK. You can press ok key to start recording and press RSK to stop recording. On the preview mode, you can press **Options**. you can adjust the settings.

**Camcorder settings:** Night mode, Banding.

**Restore default:** Restore default settings.

## Video player

Play videos stored on the micro SD card or the phone memory. The supported video formats are 3GP and MP4. Press **Options** to perform additional functions.

## Sound recorder

With this menu, you can record sound in AMR, WAV and AWB format and use it as ring tone, message tone, caller ring tone, alarm tone.

Your phone provides the following selections for your option:

**Record:** Allows you to record the sound during your phone call or other situation.

**Play:** Allows you to play the sound record.

**Append:** Allows you to record in the same file.

**Rename:** Allows you to rename a file.

**Delete:** Allows you to delete the file saved in the **Voice Recorder**.

**Delete all** : Allows you to delete all file saved in the **Voice Recorder**.

**Settings**: Allows you to choose your preferred storage, file format, and audio quality.

**Use as**: Allows you to set the sound record file as ring tone, message tone, caller ring tone, or alarm tone.

**Send**: Allows you to forward the file to user profile or share with friends via MMS.

## Camera

To take a picture, press **Options** in the preview mode, you can adjust the setting.

**Camera settings**: Set EV/Banding/Delay timer/Cont. short.

**Image settings**: Set Image size/Image quality.

**White balance**: Auto/Daylight/Fluorescent/Incandescent

**Scene mode**: Auto/Night

**Effect settings**: Normal/Grayscale/Sepia/Sepia green/Sepia blue/Color invert

**Storage**: Allows you to select the storage for saving images.

**Restore default**: This menu allows you to restore to the camera's default settings.

## FM radio

To listen to the FM radio on your phone connects the compatible headset connector on the left side of the phone. Note that the quality of the radio broadcast depends on the radio station's coverage in that particular area.

When the radio is on, press LSK key and select:

**Channel list**: To save the channel you have found, press and select edit. Key in the name of the channel and frequency press OK. You can save 9 radio channels in the handset.

**Manual input**: If you know the frequency of the radio channel you would like to listen to (between 87.5 and 108.0 MHz), key it in press OK.

**Auto Search:** If you want to search radio channel, press Yes when Preset list confirm message show up. The search stops when channels has been found and show channel in Channel list.

**Note:** Before use FM radio, please insert the headset first

## Settings

The Settings menu provides you with various setting options to customize the phone to your preferences and needs. You can also reset the settings to their default values.

To access this menu, press [**Menu**] in Idle mode and select **Settings**.

### Dual SIM Setting

Your phone support dual SIM mode which allows you to switch from one to the other as required. Dual-SIM operation allows the use of two services without the need to carry two phones at the same time.

Your phone provides 4 different SIM settings, including: Dual SIM Open, Only SIM1 Open, Only SIM2 Open, Flight Mode.

### User profile

The available profiles are General, Silent, Meeting, Outdoor, Headset, and Bluetooth. You can also set the tone, volume, alert, ring, and so forth with **Options, Customize** option, so that whenever you receive an incoming call or a new message, you can customize the use of your phone to different types of call environments.

### Date and Time

Let you set time zone, time and date, time and date format and so forth on the phone.

### Phone settings

You have following options listed under phone settings:

**Language:** This phone allows you to set a language for the display in this phone.

**Preferred input methods:** This enables you to touch the text input method.

**Schedule power on/off:** Let you set a particular time on the phone when the phone should power on/off itself.

**Dedicated Key:** This function allows you to re-assign the quick-access-feature default setting in 4-way navigation keys.

**Display:** Under Display you can set a host of different characteristics of the Wallpaper, Screen saver, Power on display, Power off display, LCD backlight, standby mode, Dual Clock.Connection Settings

### **Bluetooth**

The Bluetooth connection can be used to listen to stereo music, send images, Video, texts and vCards.

**Power On/Off:** Turn on/off the Bluetooth feature.

**Inquiry Audio Device:** Search the devices that are available.

**My device:** Select to connect to devices that you predefined.

**Active Device:** Activate the selected device.

**Settings:** Allows you to set the following Options : Visibility, Change Device Name, Authentication, Audio path, Storage and FTP Setting.

**About:** You can view the device name and address.

**Note:** The received file saved in the Received folder.

### **Network setting**

Network Setup helps you in Network Selection, selection of Preferred Network, and GPRS connection for Dual SIM

#### **Network Selection**

The Network Selection feature enables you to select automatically or manually the network used when roaming outside of your home network.

**Note:** You can select a network other than your home network only if it has a valid roaming agreement with your home network.

## Security Settings

Use this menu to protect the phone against unauthorized use by managing the several access codes of your phone and SIM card. There are six types of security setting categories, and you can optimize security mode by choosing sub menus in “Security Settings” in “Settings” menu. These security settings will help you to keep privacy and to prevent other people from using the phone without your permission.

### SIM1 Security Setup

This function allows you to activate password to protect your phone against unauthorized use.

Your phone provides the following selections for your option:

- **PIN Lock:** This function allows you to lock the phone with a specific SIM card. The feature is designed to prevent the use of your SIM cards by means of another person’s phone if your SIM cards lost. You can switch on or off to activate the PIN Lock function.
- **Fixed Dial:** This function dials only the numbers in the fixed dialing number (FDN). To save and edit numbers on the list, you need the PIN2 code.
- **Barred Dial:** Allows you to switch on or off restricted call function. However, you need to check if your SIM supports this function.
- **Change Password:** Allows you to change PIN code.

### SIM2 Security Setup

This function allows you to activate password to protect your phone against unauthorized use. Option list is same as SIM1 Settings

#### Phone lock

You can switch on or off to activate the phone lock function to protect your phone. If you switch Phone Lock on, you need to enter the password to set the request on. The default password is “0000”.

#### Auto Keypad Lock

This allows you to lock the phone’s keypad to prevent accidental key pressed. In **Auto Keypad Lock** submenu, select the time that after the last key press will be disabled, and press **OK**.

#### Change Password

Allows you to change the phone lock password.

### **Restore factory settings**

This feature would reset the phone to the same settings as those configured at the factory. In this case, it does not delete the downloaded objects and phonebook records.

You will need to input password to restore factory settings. The initial password is 0000.

**FCC RF EXPOSURE INFORMATION:**

**WARNING!! Read this information before using your phone**

In August 1986 the Federal Communications Commission (FCC) of the United States with its action in Report and order FCC 96-326 adopted an updated safety standard for human exposure to radio frequency (RF) electromagnetic energy emitted by FCC regulated transmitters. Those guidelines are consistent with the safety standard previously set by both U.S. and international standards bodies. The design of this phone complies with the FCC guidelines and these international standards. Use only the supplied or an approved antenna. Unauthorized antennas modifications, or attachments could impair call quality, damage the phone, or result in violation of FCC regulations. Do not use the phone with a damaged antenna. If a damaged antenna comes into contact with the skin, a minor burn may result. Please contact your local dealer for replacement antenna.

**BODY-WORN OPERATION:**

This device was tested for typical body-worn operations with the back of the phone kept 1.5cm from the body. To comply with FCC RF exposure requirements, a minimum separation distance of 1.5cm must be maintained between the user's body and the back of the phone, including the antenna, whether extended or retracted. Third-party belt-clips, holsters and similar accessories containing metallic components shall not be used. Body-worn accessories that cannot maintain 1.5cm separation distance between the user's body and the back of the phone, and have not been tested for typical body-worn operations may not comply with FCC RF exposure limits and should be avoided.

For more information about RF exposure, please visit the FCC website at [www.fcc.gov](http://www.fcc.gov)

Your wireless handheld portable telephone is a low power radio transmitter and receiver. When it is ON, it receives and also sends out radio frequency (RF) signals. In August, 1996, the Federal Communications Commissions (FCC) adopted RF exposure guidelines with safety levels for hand-held wireless phones. Those guidelines are consistent with the safety standards previously set by both U.S. and international standards bodies:

<ANSI C95.1> (1992) / <NCRP Report 86> (1986) / <ICIMIRP> (1996)

Those standards were based on comprehensive and periodic evaluations of the relevant scientific literature. For example, over 120 scientists, engineers, and physicians from universities, government health agencies, and industry reviewed the available body of research to develop the ANSI Standard (C95.1). Nevertheless, we recommend that you use a hands-free kit with your phone (such as an earpiece or headset) to avoid potential exposure to RF energy. The design of your phone complies with the FCC guidelines (and those standards).

Use only the supplied or an approved replacement antenna. Unauthorized antennas, modifications, or attachments could damage the phone and may violate FCC regulations.

**NORMAL POSITION:**

Hold the phone as you would any other telephone with the antenna pointed up and over your shoulder.

**TIPS ON EFFICIENT OPERATION:**

For your phone to operate most efficiently:

- Extend your antenna fully.
- Do not touch the antenna unnecessarily when the phone is in use. Contact with the antenna affects call quality and may cause the phone to operate at a higher power level than otherwise needed.

# RF Exposure Information:

FCC RF Exposure requirements: The highest SAR value reported under this standard during product certification for use next to the body with the minimum separation distance of 1.5cm is 0.765W/kg, next to the head is 1.281W/kg. This transmitter must not be collocated or operating in conjunction with any other antenna or transmitter.

This device complies with part 15 of the FCC rules. Operation is subject to the following two conditions:

- (1) this device may not cause harmful interference, and
- (2) this device must accept any interference received, including interference that may cause undesired operation.

NOTE: This equipment has been tested and found to comply with the limits for a Class B digital device, pursuant to part 15 of the FCC Rules. These limits are designed to provide reasonable protection against harmful interference in a residential installation. This equipment generates uses and can radiate radio frequency energy and, if not installed and used in accordance with the instructions, may cause harmful interference to radio communications. However, there is no guarantee that interference will not occur in a particular installation. If this equipment does cause harmful interference to radio or television reception, which can be determined by turning the equipment off and on, the user is encouraged to try to correct the interference by one or more of the following measures:

- Reorient or relocate the receiving antenna.
- Increase the separation between the equipment and receiver.
- Connect the equipment into an outlet on a circuit different from that to which the receiver is connected.
- Consult the dealer or an experienced radio/TV technician for help

Do not use the device with the environment which below minimum  $-10^{\circ}\text{C}$  or maximum over 50, the device may not work.

Changes or modifications to this unit not expressly approved by the party responsible for compliance could void the user's authority to operate the equipment.