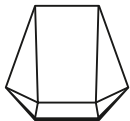


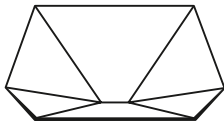
DYNAUDIO Music 1/3/5/7

Intelligent Wireless Music Systems

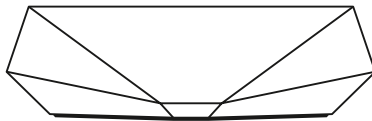
Owner's Manual



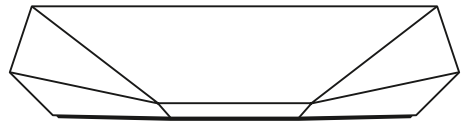
Music 1



Music 3



Music 5



Music 7

Welcome to Dynaudio Music. Your Dynaudio Music speaker is a very high performance product that rewards thoughtful setup and installation so we suggest that you take a little time to read this manual before you begin.

Contents

1. Getting to know Dynaudio Music	1
2. Installation	4
3. Setting Up	8
4. In Use	10
5. Grille Removal and Replacement	12
6. Cleaning Your Speaker	12
7. Support	12
8. Specification	12

1. Getting to know Dynaudio Music

Dynaudio Music speakers are network and Bluetooth connected intelligent speaker systems that enable multiple audio sources and streams to be played with very high audio quality without the need for conventional source or amplification components. Dynaudio Music speakers are compact and portable and can be used wherever you need your music.

Note: This manual covers all four Dynaudio Music models. Differences of function and behaviour between the models are described within the text.

Dynaudio Music speakers can be controlled using either the Dynaudio Music app for iOS or Android, or, except for Music 1, their remote control handsets. Commonly used control functions are also available via buttons on the speakers themselves.

The remote control handset supplied with Music 3, Music 5 and Music 7 provides a basic set of playback, volume and source selection controls.

Before you begin installing and configuring your Dynaudio Music speaker, please download and install the Dynaudio Music app on your iOS or Android device. It is not possible to install your Dynaudio Music speaker without the Dynaudio Music app.

Note: The Dynaudio Music app requires iOS version 8 or Android version 4.4 or later. We recommend however that the most recent iOS or Android version is used whenever possible.

The following section lists the features and functions of your Dynaudio Music speaker.

1.2 Dynaudio Music speaker features.

All Dynaudio Music speakers can do the following:

- Play audio streams via AirPlay directly from iTunes® or alternative playback apps via a wireless network connection.
- Play audio streams via a wireless network connection from Spotify® using the Spotify® Connect feature.

Note: A Spotify® Premium account is required for Spotify® Connect. Visit www.spotify.com for more information on Spotify® Connect.

- Play iRadio stations from all over the world via a wireless network connection.
- Play audio streams using UPnP™ via a wireless network connection from UPnP™ equipped network storage hardware.
- Play music streamed from an OS X, iOS, Android, Windows or Windows Mobile device using a Bluetooth wireless connection.
- Play audio from conventional audio sources using a 3.5mm jack analogue source
- Play digital audio from an iOS device such as an iPhone, iPad or iPod Touch via USB.
- Provide USB battery charging for appropriate devices.

Music 5 and Music 7 can additionally play audio from conventional audio sources using a TosLink optical digital connection, and the Music 7 can play audio from an HDMI equipped device such as a television.

Music 1 and Music 3 can operate from either mains power or their internal rechargeable battery.

This manual will tell you everything you need to know to get the most from your Dynaudio Music speaker. It begins with unpacking notes and by illustrating the contents of the carton.

Unpacking

After unpacking, make sure the components are complete and check the unit and all accessories for transport damage. Transport damage may be expected if the packaging is already severely harmed. Do not attempt to install a damaged device. If the contents are incomplete or damaged, please contact your Dynaudio distributor. Distributor addresses can be found at: www.dynaudio.com.

Packaging material

The packaging has been designed so that it may be reused if it was not damaged during initial transport. Keep the packaging and use it for all further transport.

Disposal

Disposal of used electrical and electronic equipment (applicable in European countries with separate collection systems for this equipment)

This symbol on the product or its packaging indicates that the product may not be treated as household waste. Instead it must be handed over to the applicable collection point for the recycling of electrical and electronic equipment. By ensuring this product is disposed of correctly, you will help prevent potential negative consequences for the environment and human health. The recycling of materials helps to conserve natural resources. For more detailed information on recycling this product, please contact your local authority, community waste disposal of, or the shop where you purchased the product.



Product can only be safely used lower than 2,000 meters altitude.

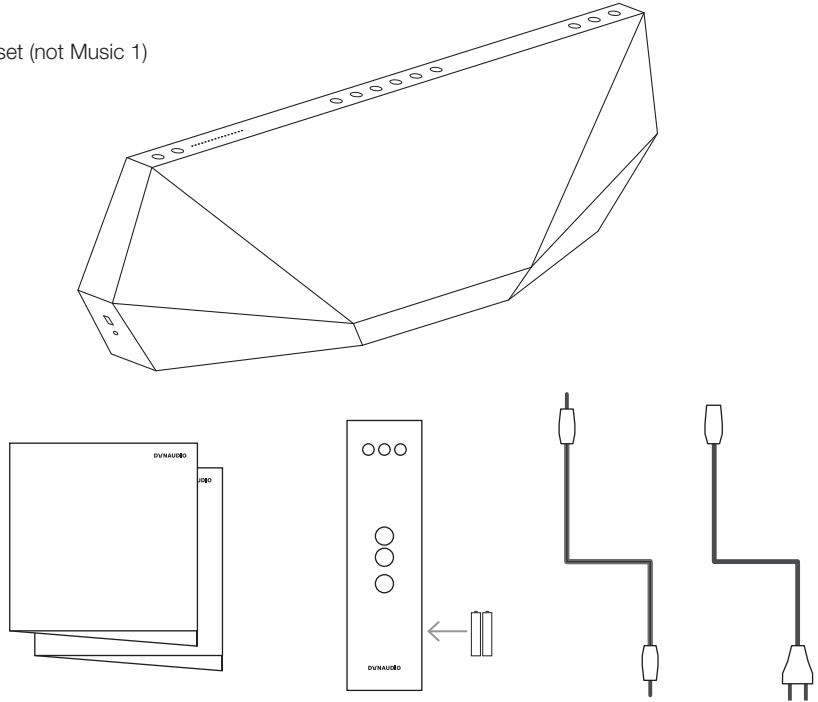


Product can only be safely used in non-tropical weather.

Product complies to China Compulsory Certification standards GB8898-2011, GB17625.1-2012, GB13837-2012.

Diagram 1. Carton Contents

- 1 x Dynaudio Music intelligent wireless music system
- 1 x Mains power cable (Music 1 includes an external power supply)
- 1 x Audio jack cable.
- 1 x Dynaudio Music remote control handset (not Music 1)
- 1 x Handset battery pack (not Music 1)
- 1 x Document pack



2. Installation

2.1 Positioning

Thanks to their wireless connection facilities and intelligent acoustics, Dynaudio Music speakers are more versatile in terms of positioning than conventional speakers. The Music 1 and Music 3 can also run from their internal rechargeable batteries so liberating them from mains power connection.

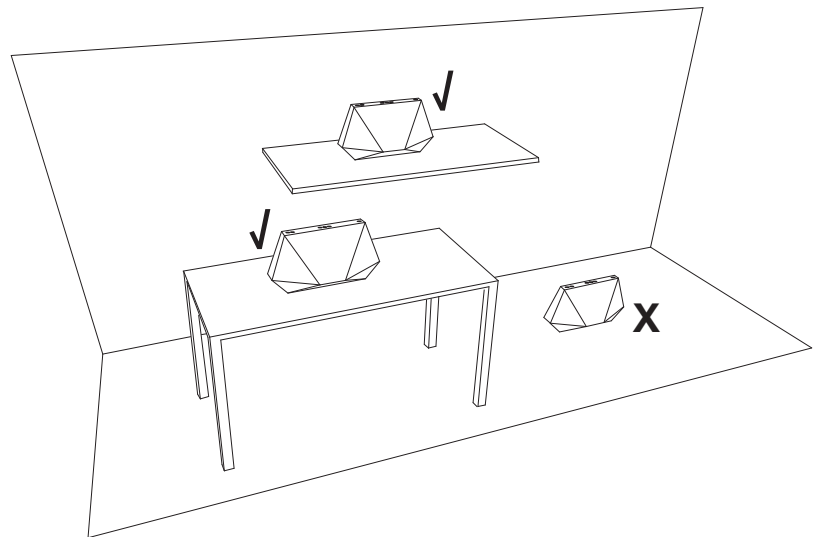
For best results however we would usually recommend that your Music speaker is placed on a shelf or furniture unit so that it is approximately at ear height when sitting. It is for you to decide how you use your speaker though, and through its intelligent acoustics it will sound good wherever you use it. If you regularly use your Dynaudio Music speaker in a variety of locations, make sure the **Intelligent** option is selected in the Dynaudio App RoomAdapt settings menu. Diagram 2 illustrates Dynaudio Music speaker positioning.

Music 5 and Music 7 can be used with a dedicated Dynaudio Music wall bracket. Your Dynaudio distributor or retailer will be able to provide more information on the wall bracket.

Due to their mains power we do not recommend that Music 5 or Music 7 are used outdoors, however, Music 1 and Music 3 are suitable for outdoor use when they are powered from their internal battery. They must not be allowed to get wet, or left for long periods in direct sunlight, however.

Dynaudio Music speakers are not suitable for use in humid or wet environments such as bathrooms, saunas, swimming pools or showers.

Diagram 2. Speaker Positioning



2.2 Mains and power connections

Your Dynaudio Music speaker requires connection to mains power. Use the mains cable supplied with the speaker. Music 1 is additionally supplied with an external power supply.

Music 1 and Music 3 incorporate an internal rechargeable battery that enables them to be used while disconnected from mains power. The battery will charge while mains power is connected.

Music 1 and Music 3 battery level is displayed by the Dynaudio Music app but can also be established by pressing the Standby button when the unit is switched-on and unplugged from mains power. The volume indicator array will illuminate for a few seconds. To indicate a fully charged battery all the indicators will illuminate. To indicate 50% charge half the indicators will illuminate. When the battery charge falls below 3% the first indicator will flash slowly and the volume level will reduce. When the battery level falls to 1% the speaker will switch off.

In normal use Music 1 and Music 3 battery life is eight to ten hours following a full charge.

Note: Music 1 and Music 3 are shipped with a battery charge level of between 70% and 80%.

Note: Dynaudio Music speaker models have two stand-by modes: Network Standby and Deep Standby. In Network Standby mode, Wi-Fi, Bluetooth, remote control and amplifier functions remain active to enable the speaker to play in response to app and remote handset commands or a wired input signal. In Deep Standby mode all functions are disabled to save power.

The speaker can only be woken from Deep Standby mode by pressing a button or, in the case of Music 5 and Music 7 by triggering the proximity sensor. Network Sleep mode is indicated by the first volume indicator illuminated red.

2.3 Switching-on and Standby Mode

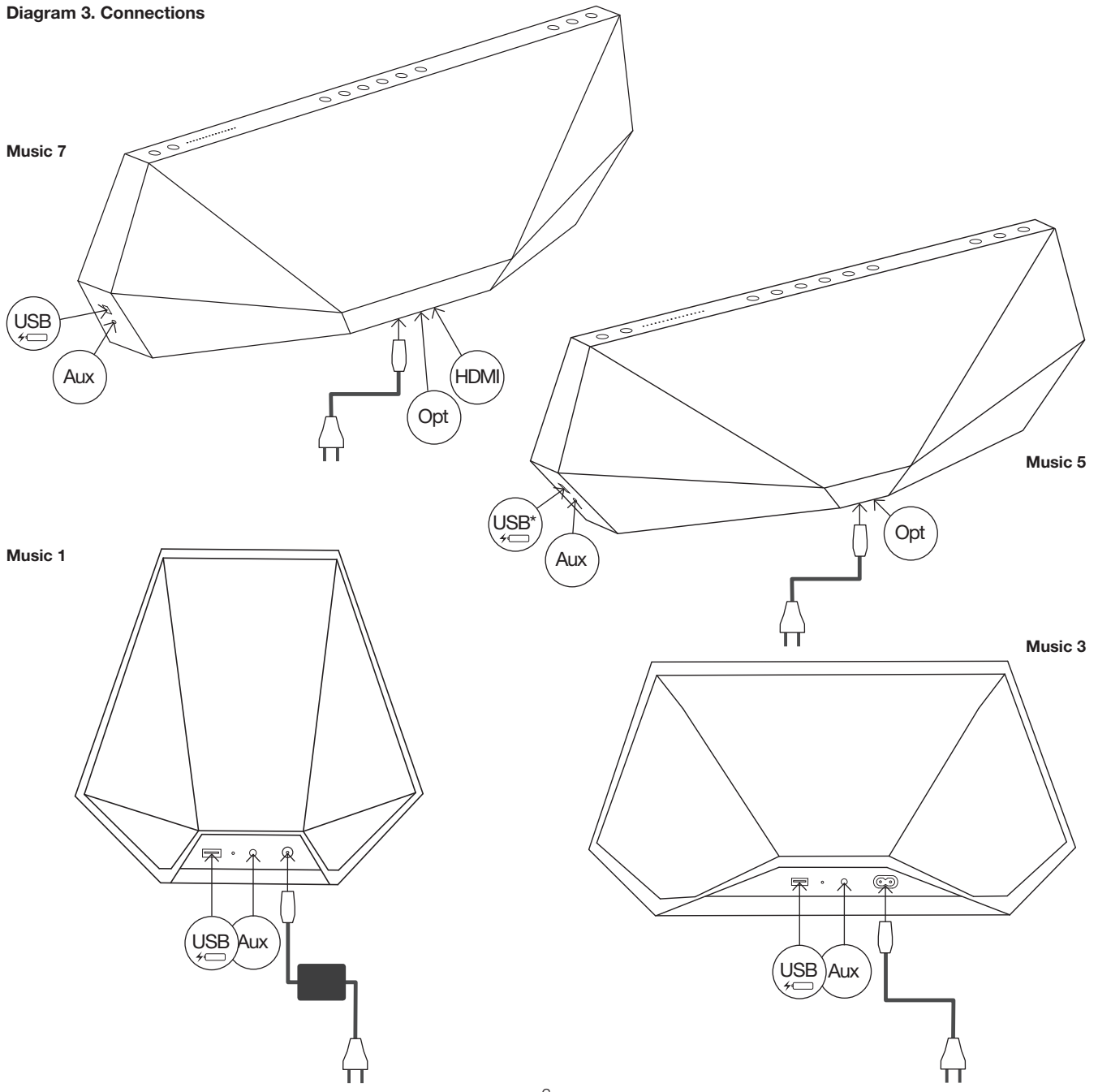
To switch-on a Music 1 or Music 3 press any one of the on body buttons.

Music 5 and Music 7 incorporate proximity sensing so to switch-on, simply bring your hand close to the top panel.

Your Dynaudio Music speaker will switch on automatically from standby in response to a Wi-Fi or Bluetooth stream, a USB connection, or an audio signal present on one its wired inputs.

All Dynaudio Music speaker models will switch to Standby mode after a period on inactivity. The auto-standby period can be specified in the Dynaudio Music app. Music 1 and Music 3 can be switched off by pressing and holding the Standby button. Music 5 and Music 7 cannot be switched manually into Standby mode or fully switched off. They can only be switched off fully by disconnection from mains power.

Diagram 3. Connections



2.4 Connecting to Dynaudio Music speakers.

Wi-Fi and Bluetooth Connections

In order to play music streams from Apple Airplay, Spotify®, internet radio or network storage, your Dynaudio Music speaker requires connection to a home Wi-Fi network. Similarly, in order to play audio streams via Bluetooth your speaker must be paired with one or more Bluetooth audio source devices. Wi-Fi and Bluetooth connection is described in the following paragraphs.


Before you begin connecting your Dynaudio Music speaker to Wi-Fi or Bluetooth, please download and install the Dynaudio Music app on your iOS or Android device if you have not already done so.


If your Dynaudio Music speaker is brand new and unused it will initially switch on in both Wi-Fi setup and Bluetooth pairing modes ready to be connected to your Wi-Fi network or be paired with a Bluetooth device. Wi-Fi Setup and Bluetooth Pairing modes are indicated by the Wi-Fi and Bluetooth indicators flashing.

Note: Your speaker will automatically leave Wi-Fi Setup mode after 10 minutes of inactivity and leave Bluetooth Pairing mode after two minutes of inactivity.


If your speaker has been previously used and does not switch on in Wi-Fi Setup or Bluetooth Pairing modes they can be selected as follows:


Music 1 and Music 3

Wi-Fi Setup Mode: Press the **Source** button repeatedly until the Wi-Fi () indicator illuminates. Now press and hold the **Source** button. The Wi-Fi indicator will flash to indicate Wi-Fi Setup mode.

Bluetooth Pairing Mode: Press the **Source** button repeatedly until the Bluetooth () indicator illuminates. Now press and hold the **Source** button. The Bluetooth indicator will flash to indicate Bluetooth Pairing mode.

Music 5 and Music 7

Wi-Fi Setup Mode: Press and hold **Source button 1** (). The button indicator will flash to indicate Wi-Fi Setup mode.

Bluetooth Pairing Mode: Press and hold **Source Button 2** (). The button indicator will flash to indicate Bluetooth Pairing mode.

Note: If your speaker has been previously connected to an alternative network or Bluetooth devices it can be returned to its default settings using the pin-hole reset button located near the power socket on each speaker. Use a straightened paper-clip to press and hold the reset button for one second. The indicator array will flash while the reset routine is underway. When the reset is complete the speaker will restart in Wi-Fi Setup and Bluetooth Pairing mode.

Wi-Fi Setup

With your Dynaudio Music speaker in Wi-Fi Setup mode, launch the Dynaudio Music app. Tap **Add New Speaker** to begin the process of connecting the new speaker to your Wi-Fi network. The app will search for new Dynaudio Music speakers and display any found. Tap to select the desired speaker. The app will then initiate the procedure built into the mobile device operating system for connecting new devices to its Wi-Fi network. Follow the on-screen instructions. When successfully connected to the network, the speaker will leave Wi-Fi Setup mode and be available to play network streams.

Bluetooth Pairing

With your Dynaudio Music speaker in Bluetooth Pairing mode, open the mobile device Bluetooth setup page and ensure that Bluetooth is enabled. Select the Dynaudio Music speaker from the list of available unconnected devices to initiate pairing. Your Dynaudio Music speaker will be shown as connected once pairing is complete and will be available for Bluetooth audio streaming.

Note: Your speaker can be simultaneously paired with up to eight Bluetooth devices, however it can only be connected to one at a time. If a new Bluetooth device connects any existing connected device will be disconnected and if a ninth device is paired, the first paired device will be 'forgotten'.

USB Connections

Your Dynaudio Music speaker can play audio files stored on iOS devices such as iPhone, iPad and iPod models. Simply connect the iOS device to the USB socket on your speaker. Music files stored on the iOS device will be available to browse and play via the Dynaudio app or via other playback apps.

Note: Your speaker will charge the battery on any connected rechargeable USB device. Battery charging will deplete the battery on Music 1 and Music 3 when they are not connected to mains power.

Wired Connections

In addition to the network, Bluetooth and USB connections available on all Dynaudio Music speakers, each model can be used with conventional wired sources. These are shown in the table below:

<u>Speaker</u>	<u>Analogue Aux In</u>	<u>Optical Digital In</u>	<u>HDMI In</u>
Music 1	Yes (3.5mm jack)		
Music 3	Yes (3.5mm jack)		
Music 5	Yes (3.5mm jack)	Yes (mini-Toslink)	
Music 7	Yes (3.5mm jack)	Yes (mini-Toslink)	Yes (HDMI)

The analogue **Aux** input can be used to connect and play traditional audio sources such as CD players, and more modern sources such as mobile devices equipped with headphone outputs. Simply connect the source output to the speaker input socket using terminated with a 3.5mm stereo jack plug.

The **Optical** input can be used to connect and play digital audio sources such as CD players and televisions. Connect the source digital output to the speaker input socket using terminated with mini-Toslink optical plug.

The **HDMI** input is intended for the connection of appropriately equipped televisions. Connect the television HDMI output to the speaker HDMI input socket using a standard HDMI cable. If the television is equipped with ARC (Audio Return Channel) its remote control will be able to take over volume control of your Dynaudio Music speaker. The television HDMI output and ARC function may need to be switched on from its setup menus. Its internal speakers may also need to be switched off.

3. Setting Up

With your Dynaudio Music speaker connected to your Wi-Fi network and any other desired sources it is ready for use. In addition however to enabling Wi-Fi and Bluetooth connection the Dynaudio Music app provides a wide range of menu and option based setup functions for your Music speaker. Although it is not necessary to modify any default settings in order to begin enjoying your speaker, doing so will enable you to get the most from it. The app setup functions include the following:

User profiles and product registration: Enables multiple user profiles to be created and your Music speaker ownership to be registered with Dynaudio.

Names: Enables your speaker to be named.

Noise Adaptation: Provides optional intelligent volume control that automatically adjusts speaker dynamic range over multiple frequency bands to compensate for variations in ambient noise level and to enhance clarity.

Room Adaptation: Provides optional compensation for the influence of position on the sound of your speaker. Presets for corner, wall and free-space are provided along with an adaptive option in which your Dynaudio Music speaker will intelligently adapt its sound to suit its room location.

Sound Presets: Provides optional sound presets designed for music, speech and movie programme material.

Bass and Treble: Enables adjustment of bass and treble levels to provide overall control of speaker tonal balance.

iRadio Browsing: Enables iRadio stations to be browsed and favourites saved as presets.

Favourite Presets: Music 5 and Music 7 can have five favourite items; iRadio stations or music playlists for example, assigned to one of the speaker's top panel buttons for quick access. The app enables the button assignment to be made.

Groups: Enables multiple Dynaudio Music speakers to be grouped to provide multi-room audio.

Stereo Pair: Enables two Dynaudio Music speakers to be stereo linked to provide a wider stereo image than can be achieved from a single unit. One Dynaudio Music speaker is assigned to the left channel and one is assigned to the right channel.

Balance: If two Dynaudio Music speakers are operating as part of a stereo pair the balance function enables their relative volume to be adjusted.

Speaker Settings: Enables indicator brightness to be adjusted and auto standby time to be selected.

Firmware Update: Dynaudio Music speakers are subject to continual development and refinement. Use the firmware update routine to ensure that your speaker has all the latest features.

4. In Use

Your Dynaudio Music speaker can be operated and controlled from its on-body buttons, the remote control handset or entirely via the Dynaudio Music app.

4.1 On-body Buttons

The following paragraphs describe the on-body buttons for each Dynaudio Music speaker model.

Music 1 and Music 3

Standby: Press and hold (1 sec) the standby button to switch your Music 1 on or off.

Volume +/-: Press and hold the **+** or **-** buttons respectively to raise or lower the volume. Volume level is indicated by the indicator array on the top panel.

Playback (⏪|⏩|⏸): Press the **play/pause** (⏸) button to play or stop playback. Press the **next** (⏩) or **previous** (⏪) buttons respectively to play the next or previous track.

Note: With Wired audio sources (Aux, Opt) play/pause (⏸) commands will function as un-mute/mute operations. Wired sources are also unable to respond to next (⏩) and previous (⏪) commands.

Source (⏮): Press to scroll through the available sources. Only active sources will be available for selection.

Note: Network streamed and Bluetooth audio can only be selected and played from the Dynaudio Music app and will take priority over locally selected sources.

Music 5 and Music 7

Volume +/-: Press and hold the **+** or **-** buttons respectively to raise or lower the volume. Volume level is indicated by the indicator array on the top panel.

Playback (⏪|⏩|⏸): Press the **play/pause** (⏸) button to play or stop playback. Press the **next** (⏩) or **previous** (⏪) buttons respectively to play the next or previous track.

Note: With Wired audio sources (Aux, Opt, HDMI) play/pause (⏸) commands will function as un-mute/mute operations. Wired sources are also unable to respond to next (⏩) and previous (⏪) commands.

Source 1 to 5: Press buttons **one** to **five** to select favourite items assigned in the Dynaudio Music app to each one. Alternatively, press and hold buttons **two**, **three**, **four** and **five** to select the HDMI, Optical, USB and Auxiliary sources (no HDMI on Music 5) respectively.

Note: If no favourites are assigned to any buttons a single press, rather than press and hold, will select sources.

Bluetooth (📶): Press the Bluetooth button to connect and play a Bluetooth stream from a connected and active device.

4.2 Remote Control Handset

The Music 3, Music 5 and Music 7 are supplied with a remote control handset. The handset provides following functions:

Playback (◀▶⏮⏭): Press the **play/pause** (▶||) button to play or stop playback. Press the **next** (▶) or **previous** (◀) buttons respectively to play the next or previous track.

Note: With Wired audio sources (Aux, Opt, HDMI) play/pause (▶||) commands will function as un-mute/mute operations. Wired sources are also unable to respond to next (▶) and previous (◀) commands.

Volume +/-: Press and hold the **+** or **-** buttons respectively to raise or lower the volume. Volume level is indicated by the indicator array on the top panel.

Source (◻▶): Press to scroll through and select available sources.

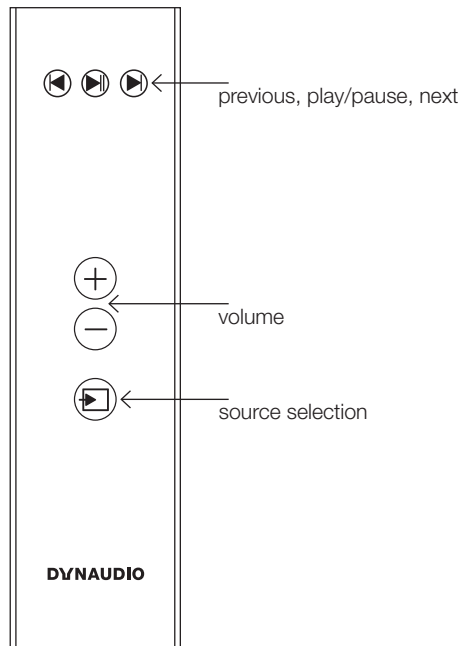
Note: Sources can only be selected when a connection is present or a stream is available.

Note: The batteries supplied must be installed in the remote control handset before it can be used. Simply slide the battery cover away and insert the batteries in the slots taking care that their polarity is correct.

4.3 Dynaudio App

In everyday use the Dynaudio Music app enables volume, playback and tone control, audio file or internet radio browsing, and preset functions. The app can also link through to music streaming services such as Spotify to create a common portal for all your music.

Diagram 4. Remote Handset



5. Grille Removal and Replacement

The Music 5 and Music 7 can be fitted with alternative coloured front and rear grilles. Grilles can be supplied by your local Dynaudio distributor or retailer.

To remove a grille gently pull it away from the speaker body starting at the bottom. To fit a grille align its pegs with the retaining holes in the speaker body and gently push it home. Start with the lower, central pegs and retaining holes. Do not touch any components or drivers uncovered by grille removal.

6. Cleaning Your Speaker

Bush the grille surfaces with a soft brush and the metal surfaces with a clean lint-free cloth. Do not use a vacuum cleaner. If you wish to use a cleaning agent, apply it to the cleaning cloth and not directly to the speaker. Test a small area first, as some cleaning products may damage some of the surfaces. Avoid products that are abrasive or contain acid, alkali or anti-bacterial agents.

7. Support

Should you require help or advice there are a variety of support options for Dynaudio products. These can be found at dynaudio.com:

8. Specification

	Music 1	Music 3	Music 5	Music 7
Audio Inputs	AirPlay Spotify® Connect Internet Radio UPnP™ Bluetooth USB/iOS 3.5mm Jack	AirPlay Spotify® Connect Internet Radio UPnP™ Bluetooth USB/iOS 3.5mm Jack	AirPlay Spotify® Connect Internet Radio UPnP™ Bluetooth USB/iOS 3.5mm Jack Optical S/ PDIF(TosLink)	AirPlay Spotify® Connect Internet Radio UPnP™ Bluetooth USB/iOS 3.5mm Jack Optical S/ PDIF(TosLink) HDMI
Audio Formats	WAV, AIFF, ALAC, MP3, AAC, Bluetooth (aptX)			
Connectivity	Ethernet (10/100Mbps), Wi-Fi (802.11b/g), RC5 remote control			
Dimensions	228 x 220 x 103mm	405 x 220 x 143mm	659 x 200 x 183mm	859 x 200 x 183mm
Power Consumption	Standby: < 3W, Deep sleep: < 0.5W			
Mains Supply	100V, 115V or 230V, 50/60Hz			

Made for



iPad, iPhone, and iPod are trademarks of Apple Inc., registered in the U.S. and other countries.

Made for iPhone 6s Plus, iPhone 6s, iPhone 6 Plus, iPhone 6, iPhone 5s, iPhone 5c, iPhone 5, iPhone 4s.



AirPlay

iPad, iPhone, and iPod are trademarks of Apple Inc., registered in the U.S. and other countries.

AirPlay works with iPhone, iPad, and iPod touch with iOS 4.3.3 or later, Mac with OS X Mountain Lion or later, and PC with iTunes 10.2.2 or later.



The Spotify software is subject to third party licenses found here:

<https://developer.spotify.com/esdk-third-party-licenses/>



The Bluetooth® word mark and logos are registered trademarks owned by Bluetooth SIG, Inc. and any use of such marks by Dynaudio is under license. Other trademarks and trade names are those of their respective owners.



© 2012 CSR plc and its group companies.

The aptX® mark and the aptX logo are trade marks of CSR plc or one of its group companies and may be registered in one or more jurisdictions.



Wi-Fi® is a registered trademark of Wi-Fi Alliance®.



UPnP™ is a trademark of the UPnP™ Forum.

DYNAUDIO

Dynaudio A/S, 8660 Skanderborg, Denmark

www.dynaudio.com

Document Part No. 25700201 Rev F 04/17